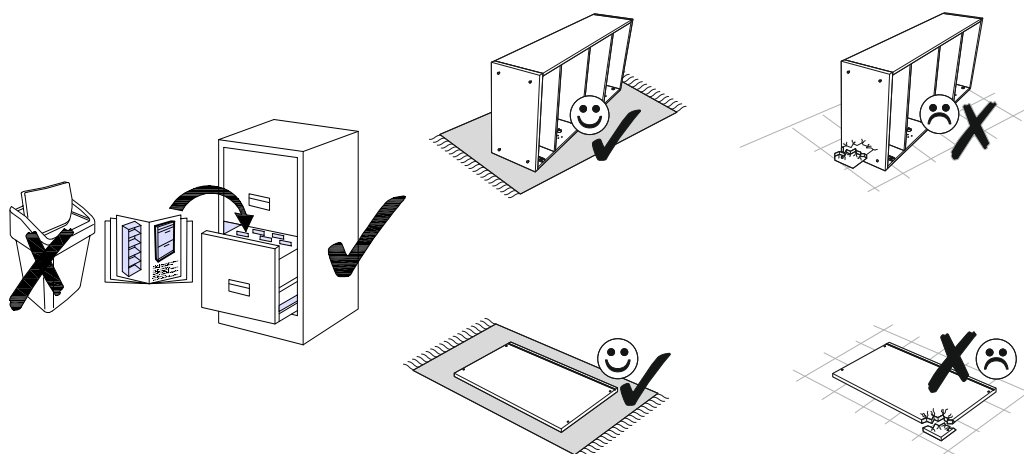
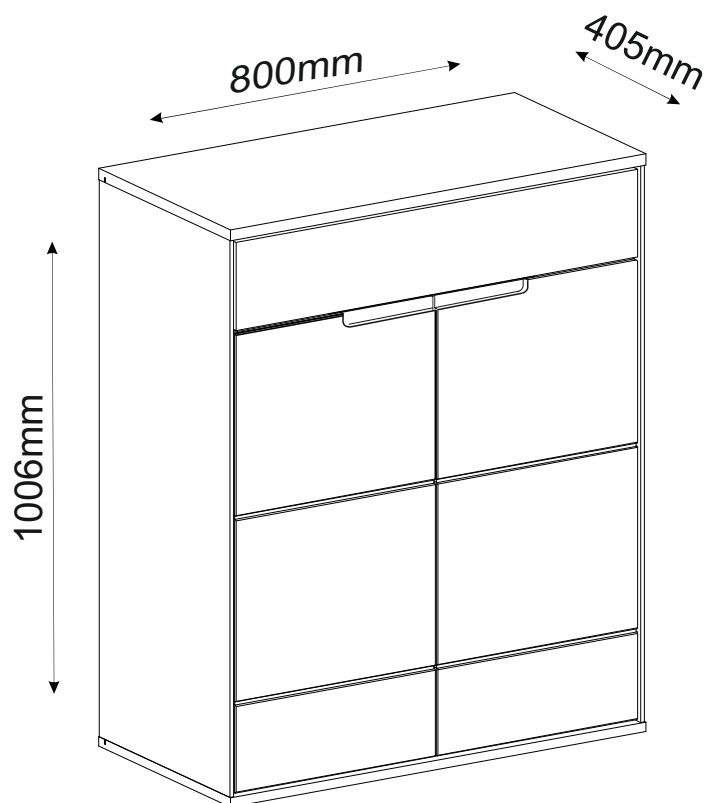
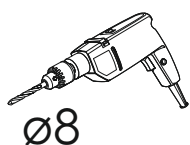
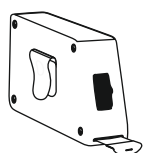
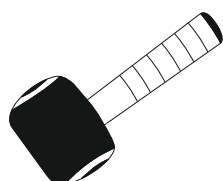
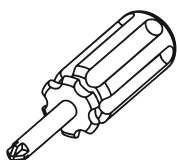
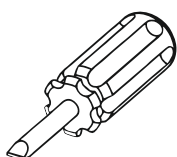
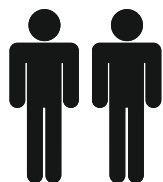
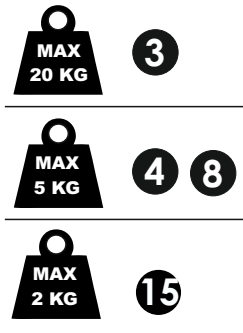
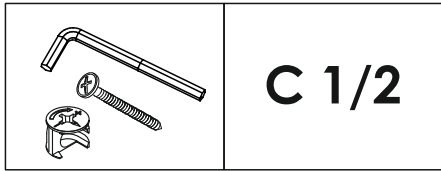




LOLA

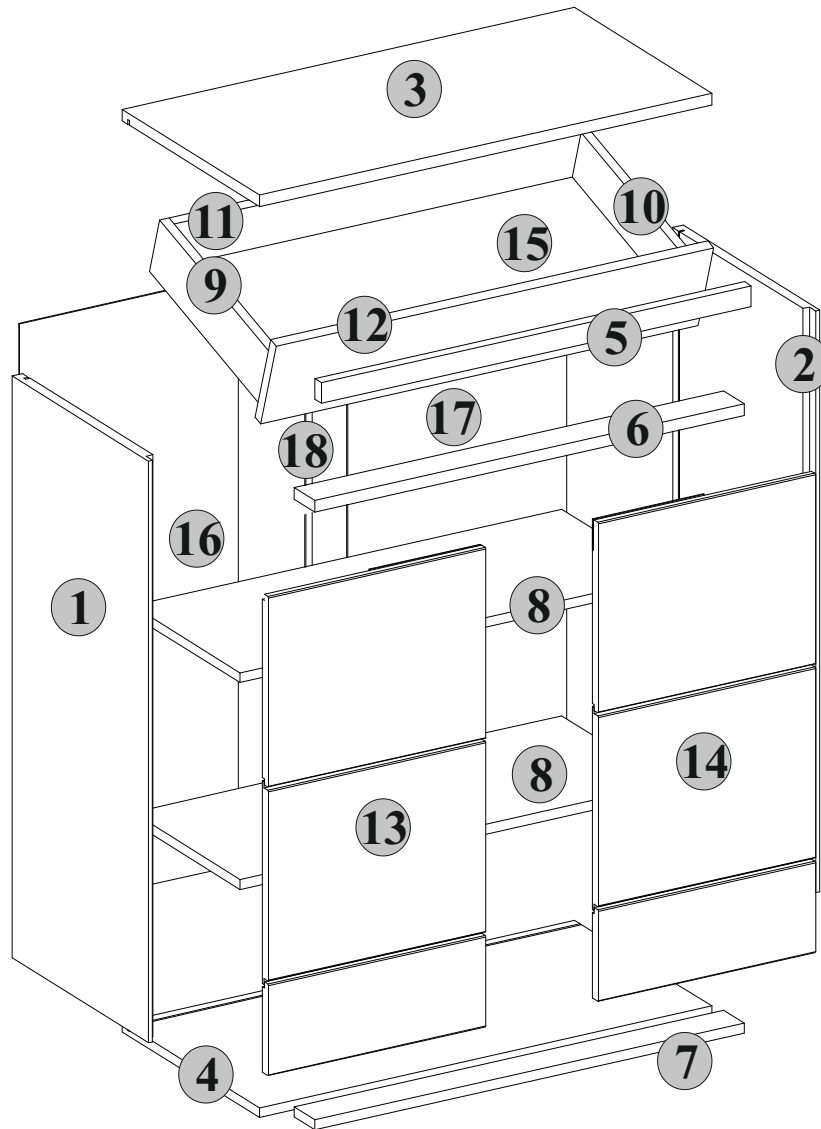
Art. Nr. 14160031/01



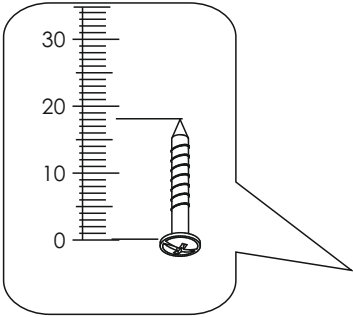
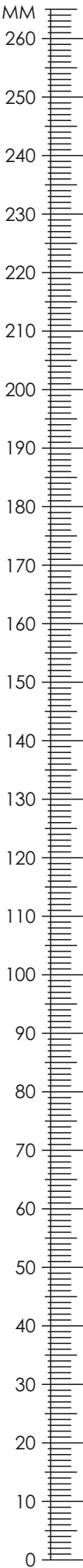


1	951	402	19	x1	1/2
2	951	402	19	x1	1/2
3	800	405	19	x1	1/2
4	800	405	19	x1	1/2
5	760	34	19	x1	1/2
6	760	60	19	x1	1/2
7	760	60	16	x1	1/2
8	759	317	16	x2	1/2
9	350	100	16	x1	1/2
10	350	100	16	x1	1/2
11	720	86	16	x1	1/2
12	773	150	18	x1	2/2
13	384	784	18	x1	2/2




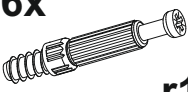
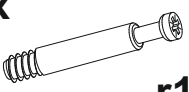

14	384	784	18	x1	2/2
15	730	354	3	x1	1/2
16	965	387	3	x1	1/2
17	965	387	3	x1	1/2
18	960	20		x1	1/2





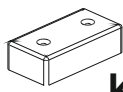
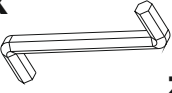

Art. Nr. 14160031/01







A

17x  s2	17x  φ15 #12.5 r1	4x  s1
16x  r16	1x  r14	4x  φ6.3x50 mm e1

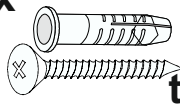
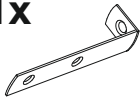
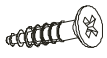
B

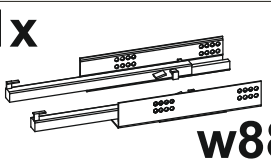
12x  φ8x32 mm f1	10x  φ3.5x35 mm p80	5x  k19
1x  z1	2x  φ4x30 mm p42	


C

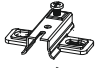

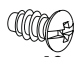
8x  φ5x17 mm d1	16x  l2
18x  φ3.5x16 mm p1	8x  φ6.3x13 mm e3

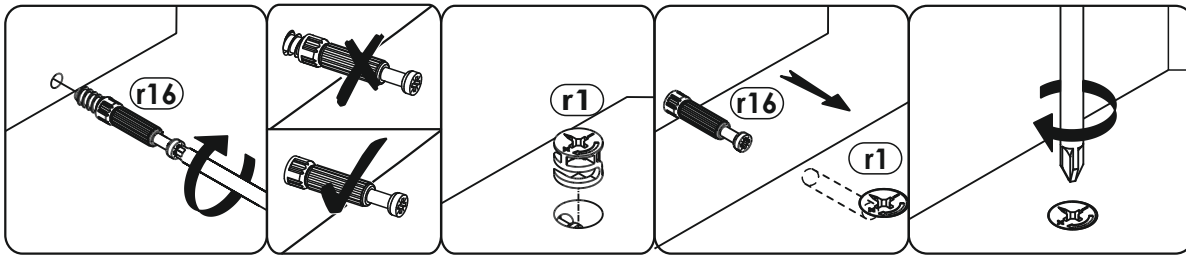
D

1x  t17	1x  n14
2x  φ3.5x16 mm p1	

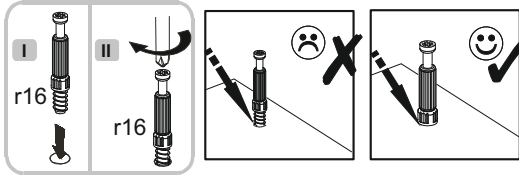
1x

w88

1x

t13

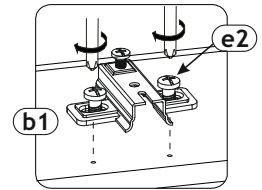
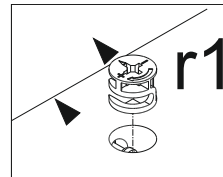
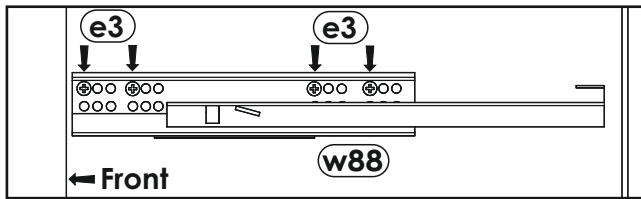
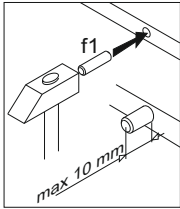
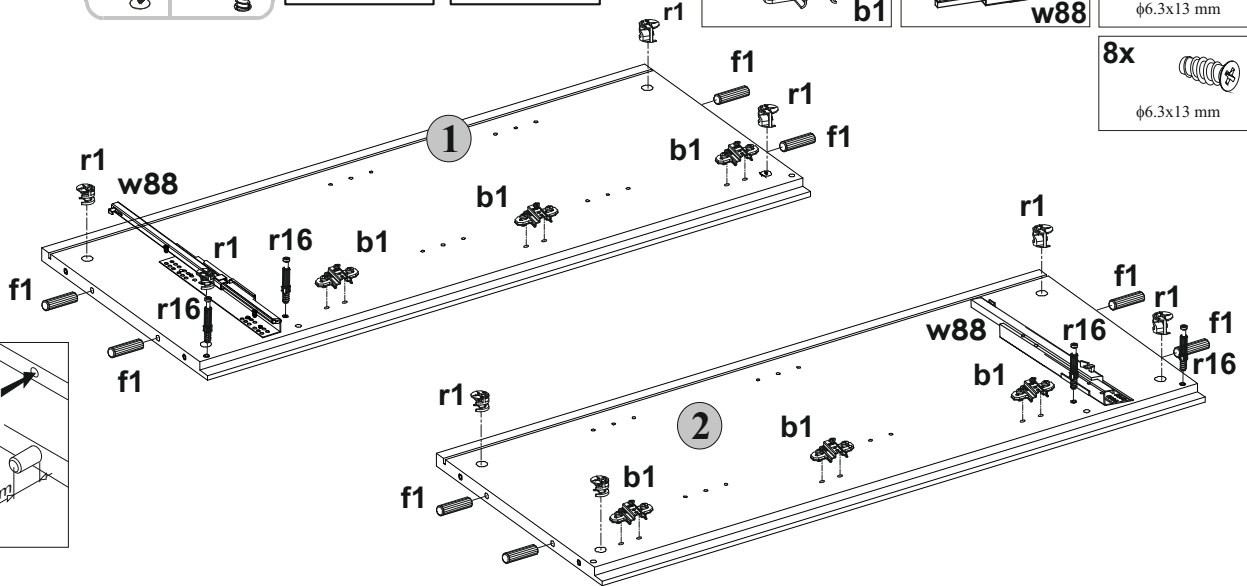
b1  x6	a2  x6	e2  x12
--	---	--



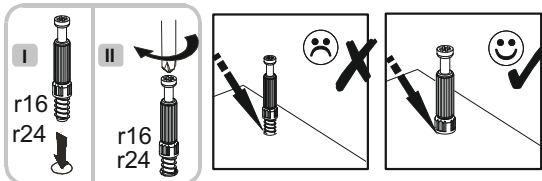
I



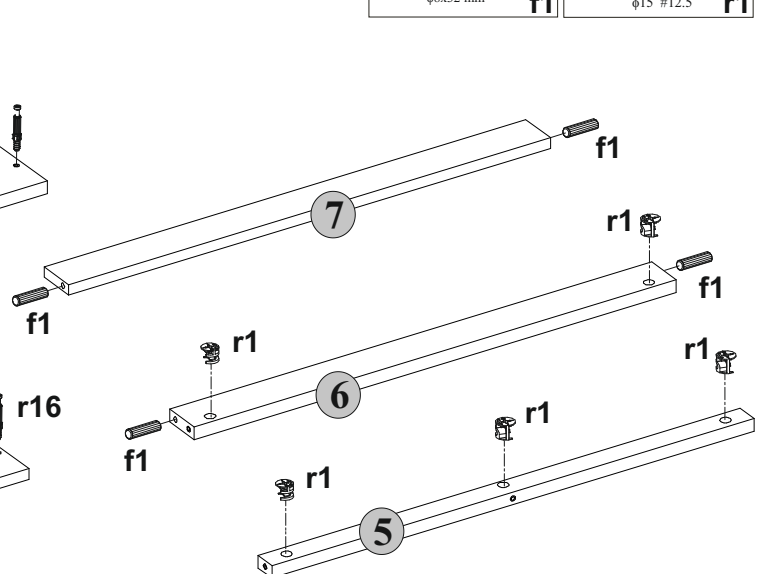
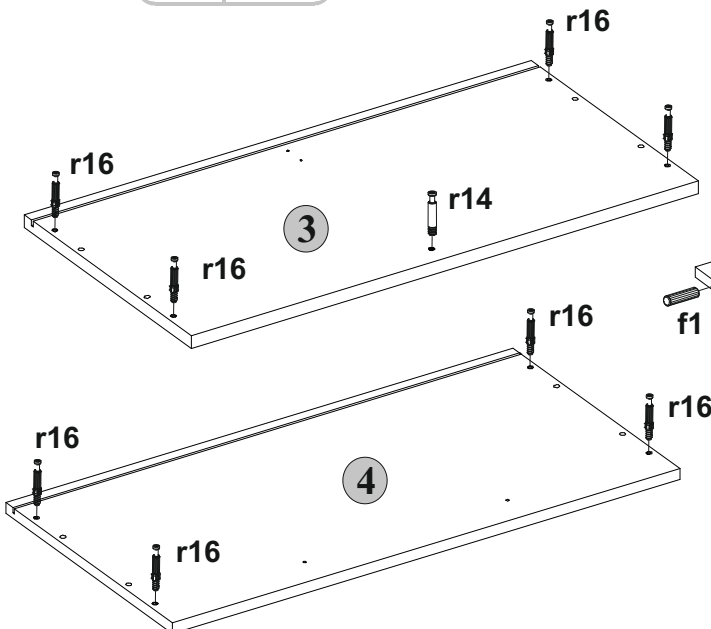
- 8x $\phi 8 \times 32$ mm f1
- 10x r16
- 8x $\phi 15 \#12.5$ r1
- 6x b1
- 1x w88
- 12x $\phi 6.3 \times 13$ mm e2
- 8x $\phi 6.3 \times 13$ mm e3



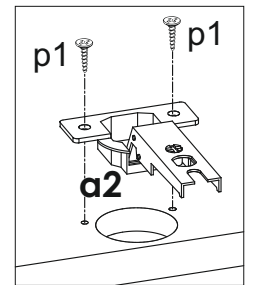
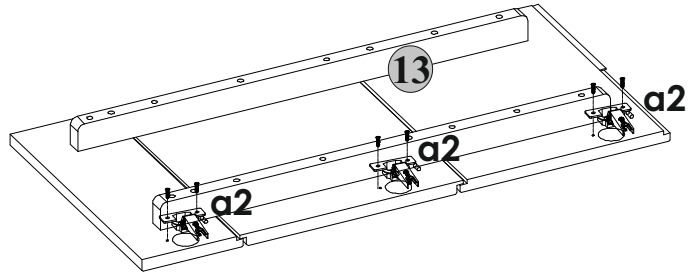
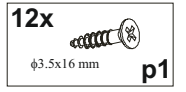
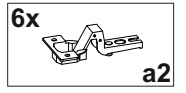
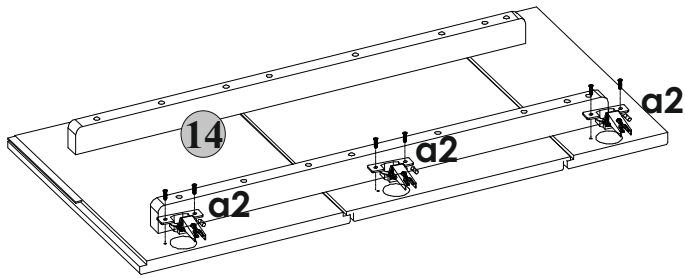
2



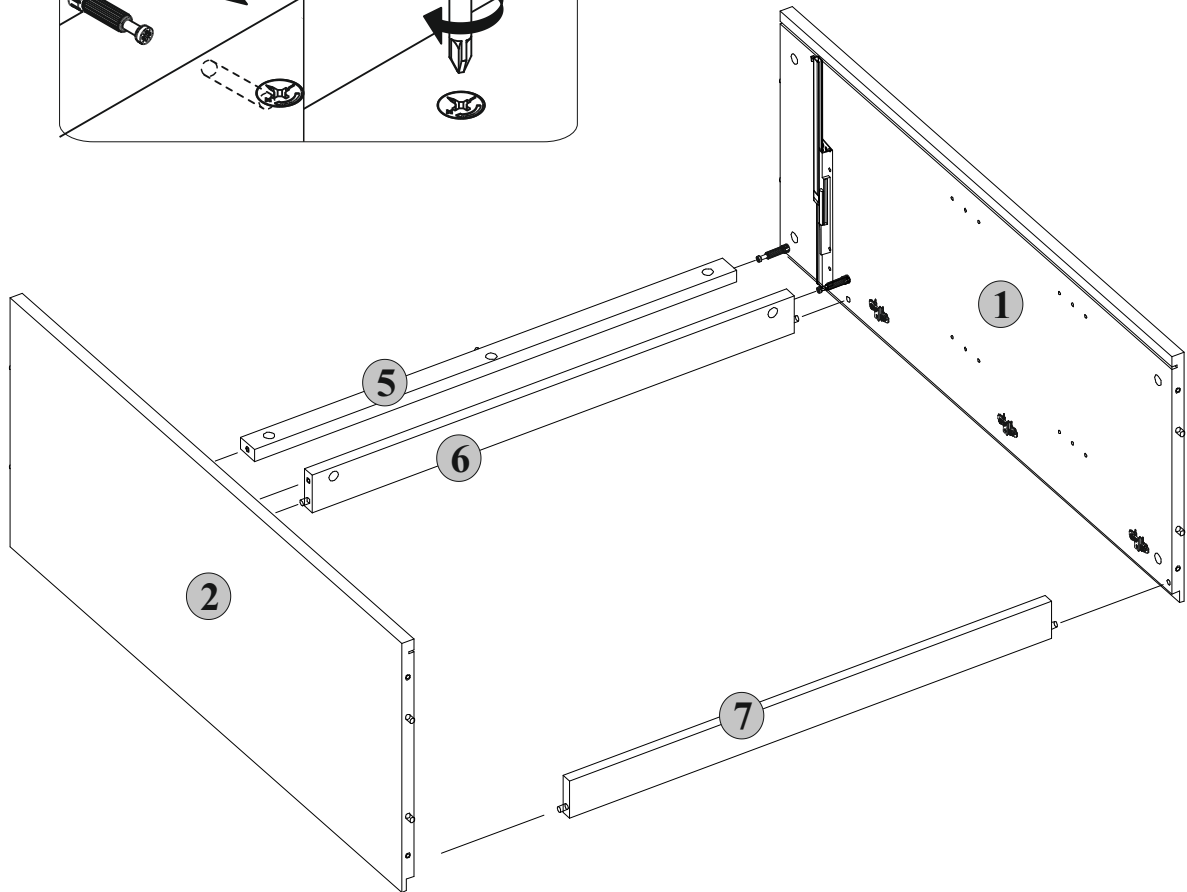
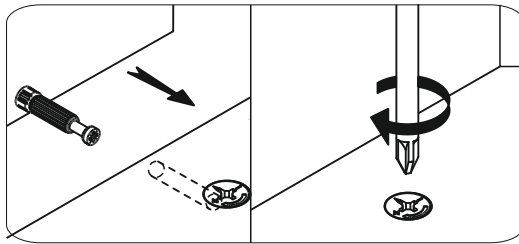
- 1x r14
- 8x r16
- 4x $\phi 8 \times 32$ mm f1
- 5x $\phi 15 \#12.5$ r1



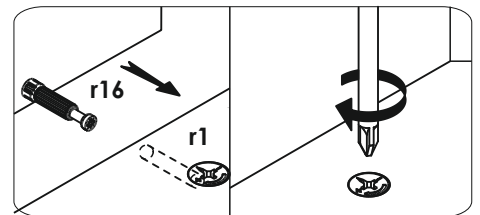
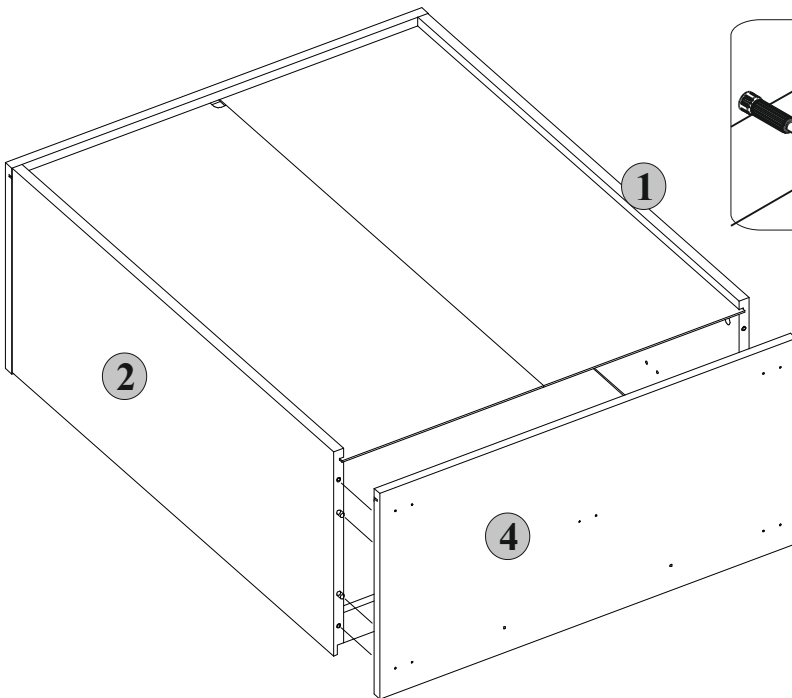
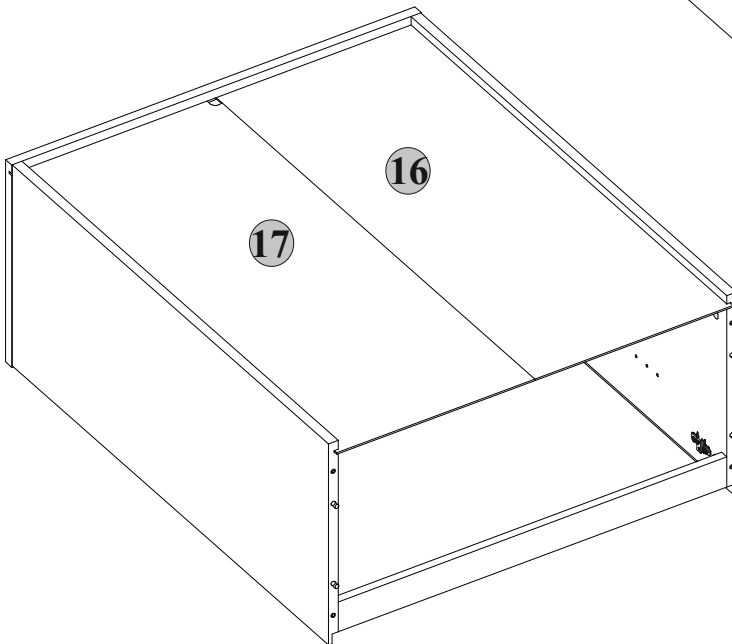
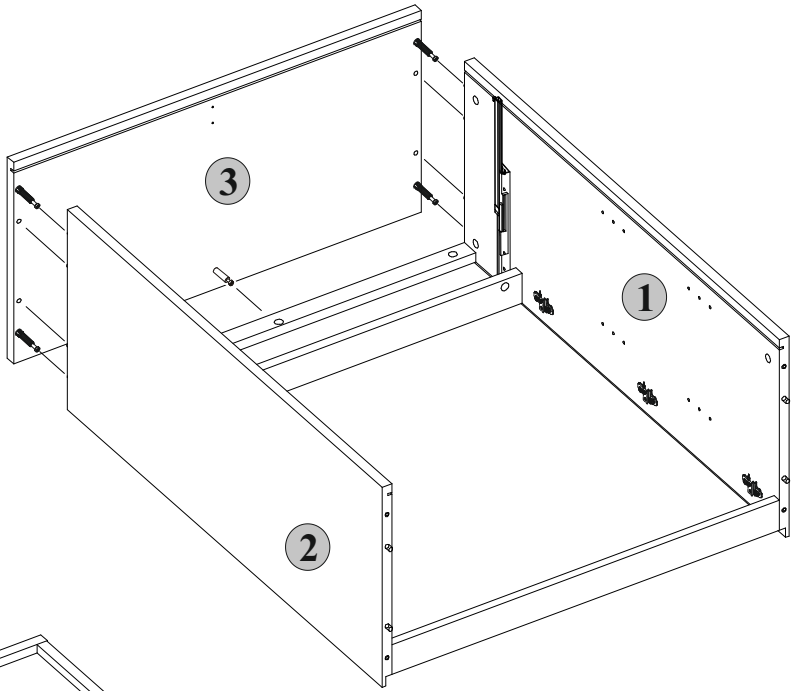
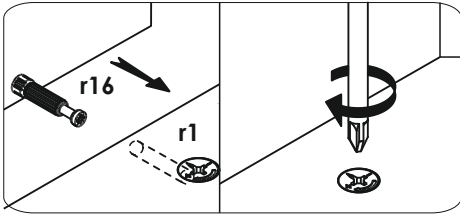
3



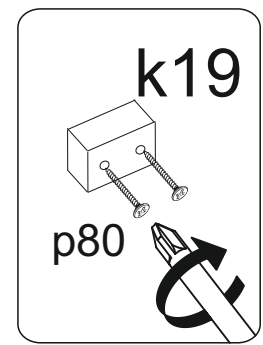
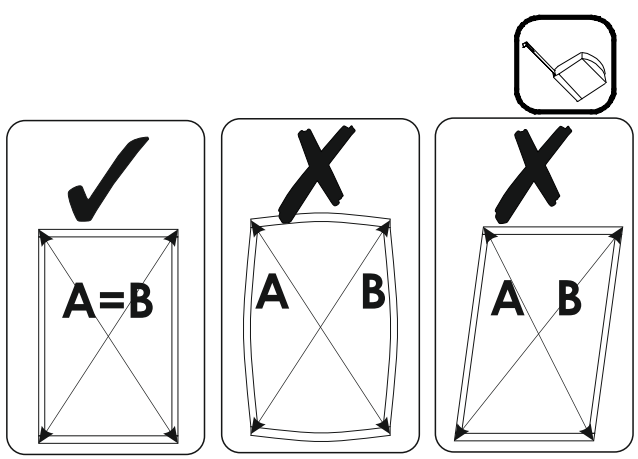
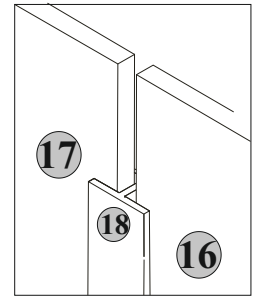
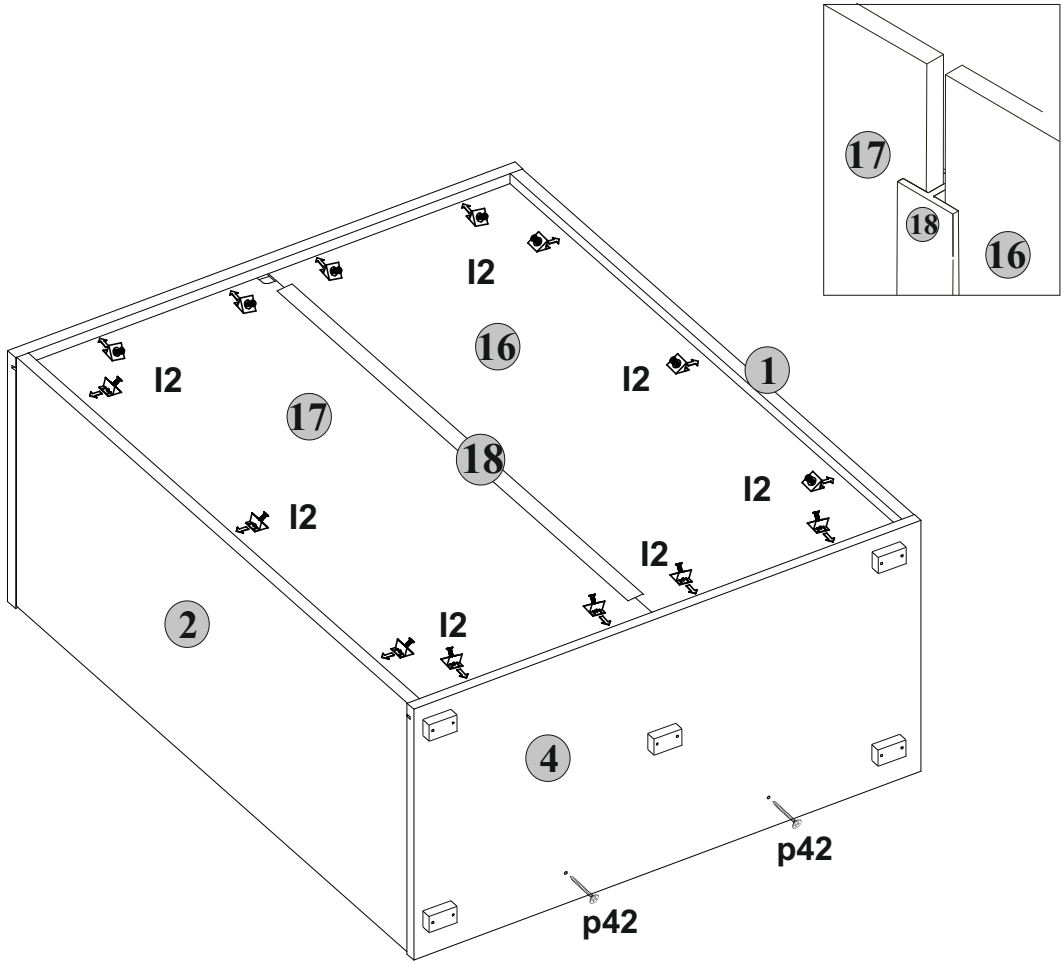
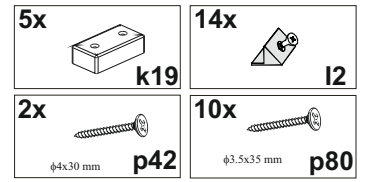
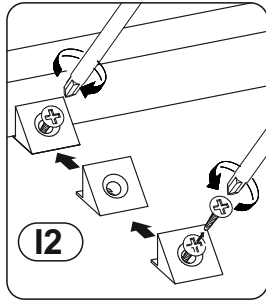
4



5

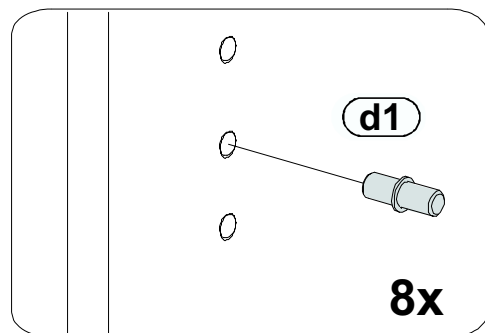
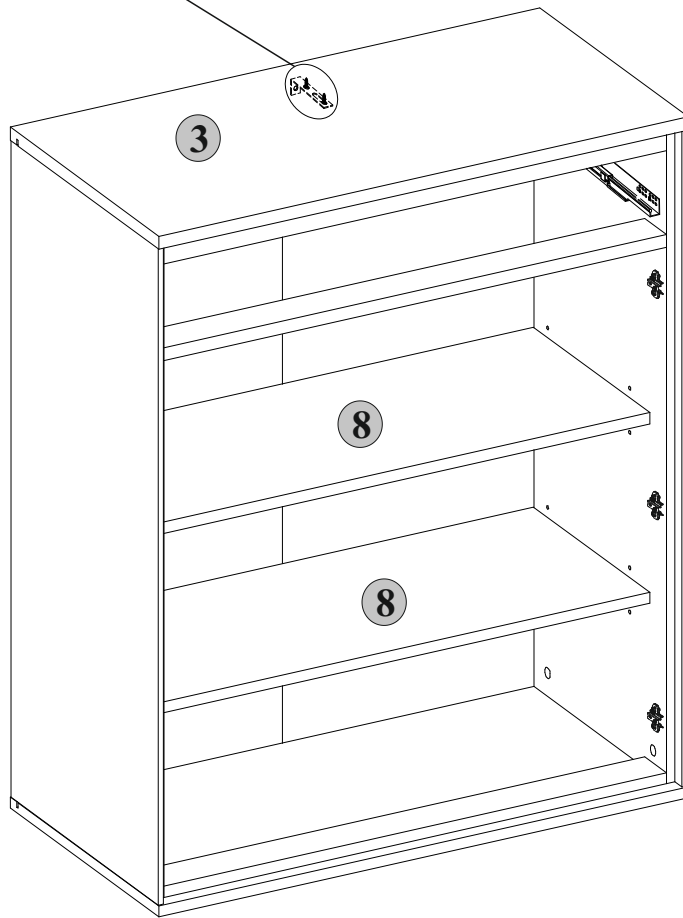
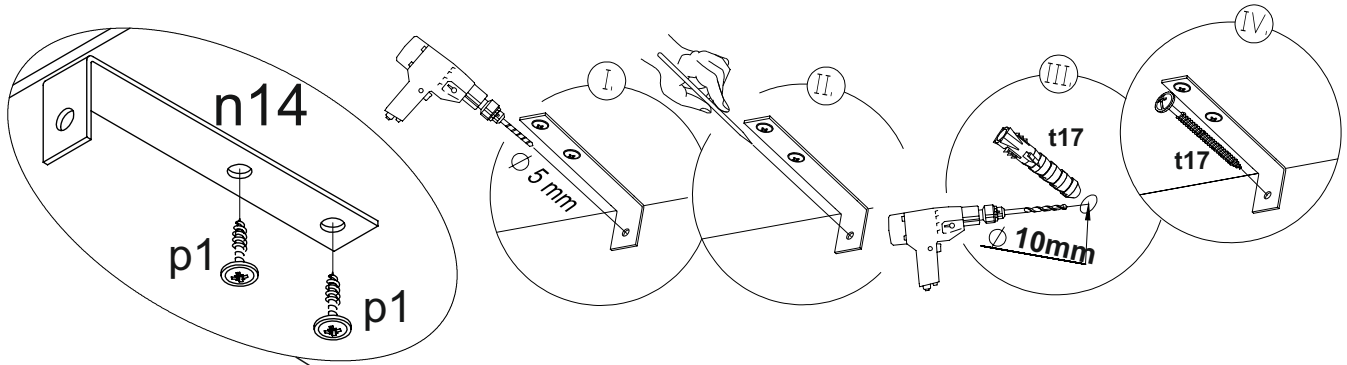


6

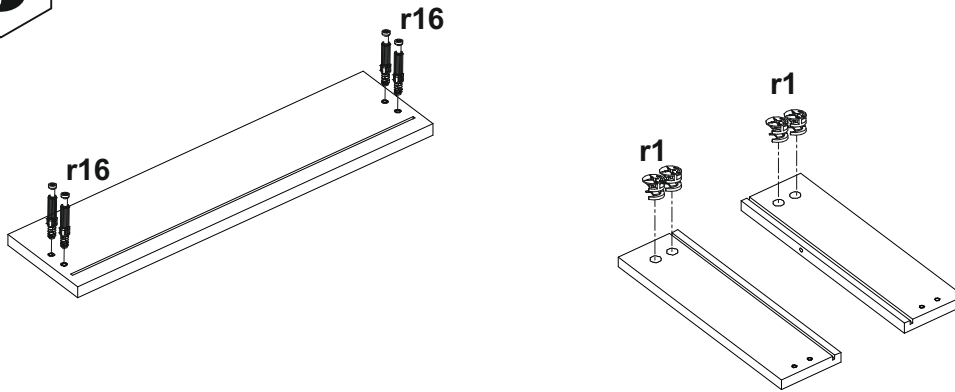


7

- 8x $\phi 5 \times 17$ mm d1
- 1x t17
- 1x n14
- 2x $\phi 3.5 \times 16$ mm p1

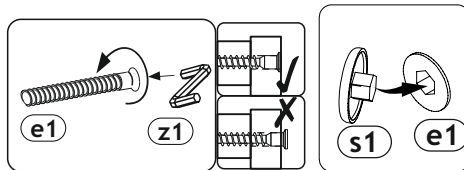


8

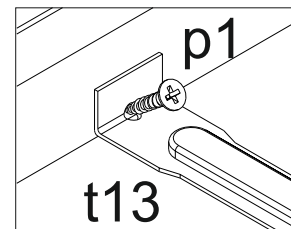
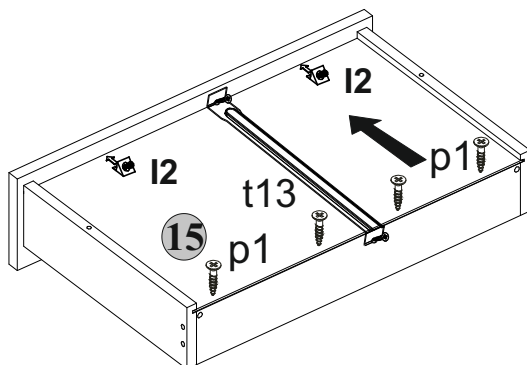
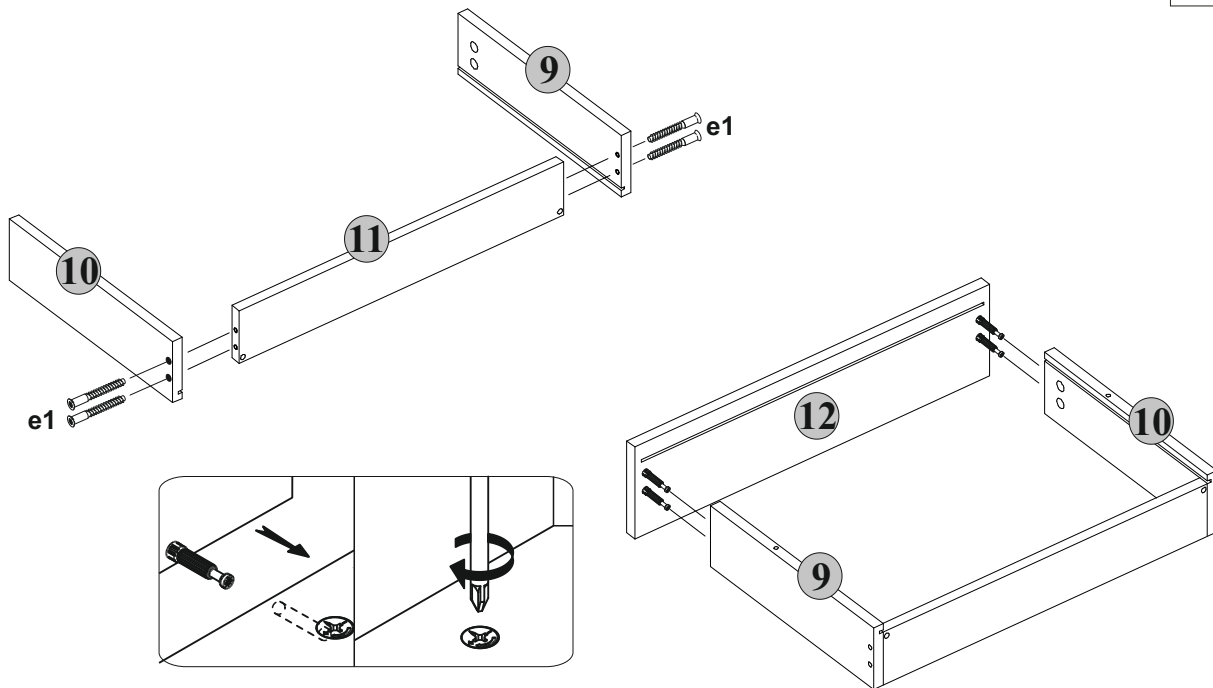


- | | | |
|----|------------------|-----|
| 4x | | r1 |
| | $\phi 15 \#12.5$ | |
| 4x | | r16 |

9



- | | | |
|----|---------------------------------|-----|
| 1x | | t13 |
| 4x | | e1 |
| | $\phi 6.3 \times 50 \text{ mm}$ | |
| 4x | | p1 |
| | $\phi 3.5 \times 16 \text{ mm}$ | |
| 4x | | s1 |
| 2x | | l2 |



10

17x
s2

