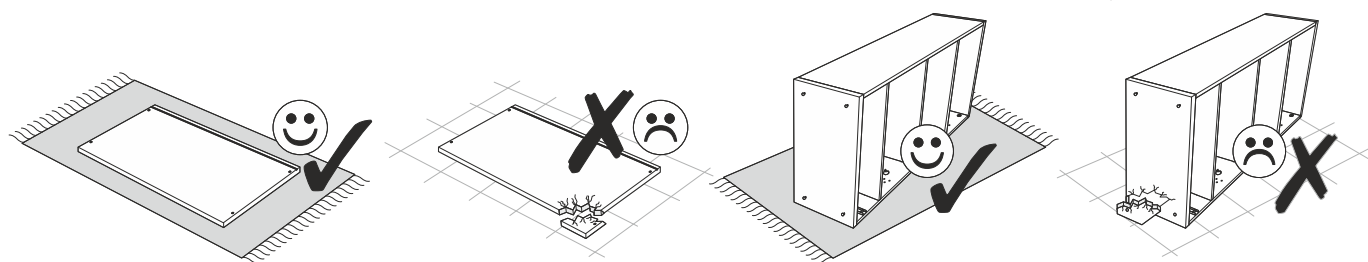
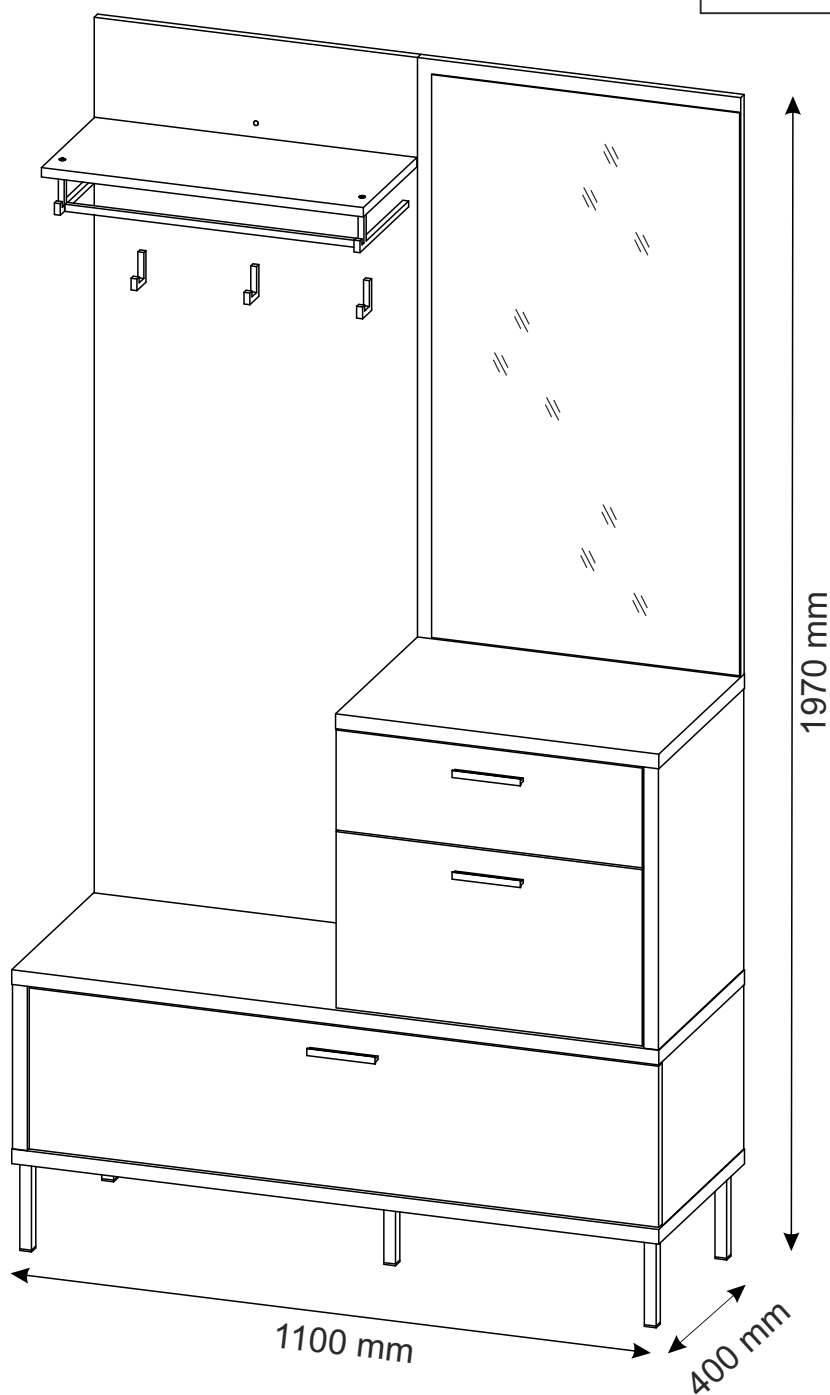
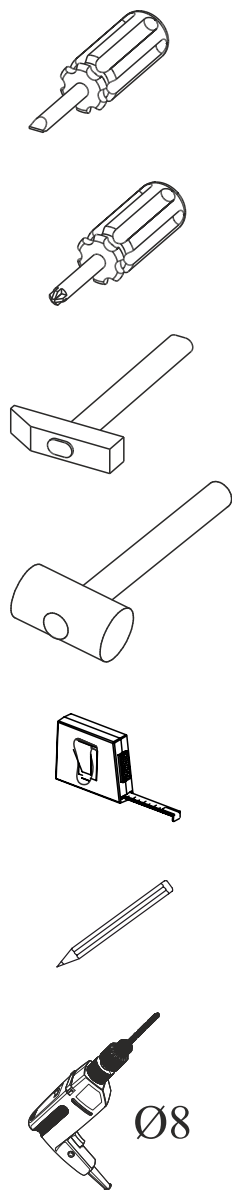
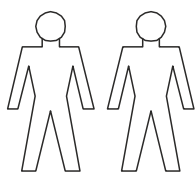
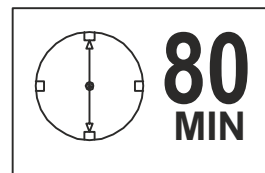







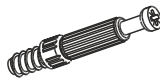

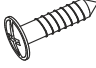
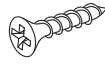

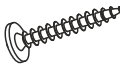


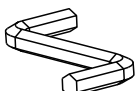
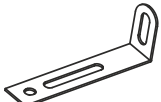
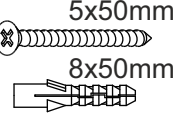
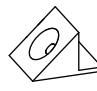
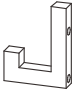

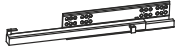

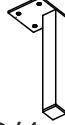
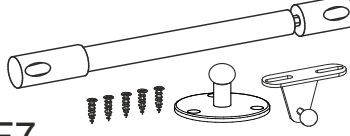

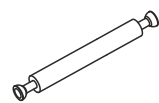


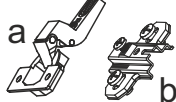





00170043/01

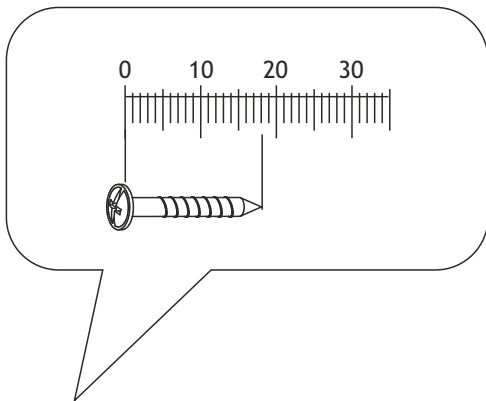
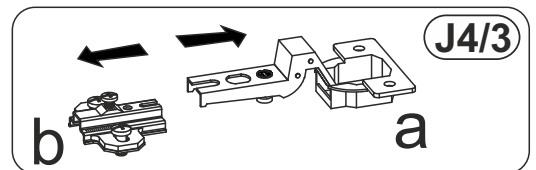
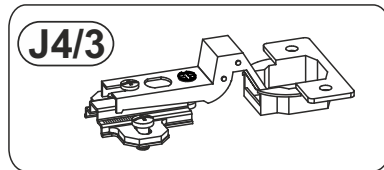
# GARDEROBE SNAKE



00170043/01

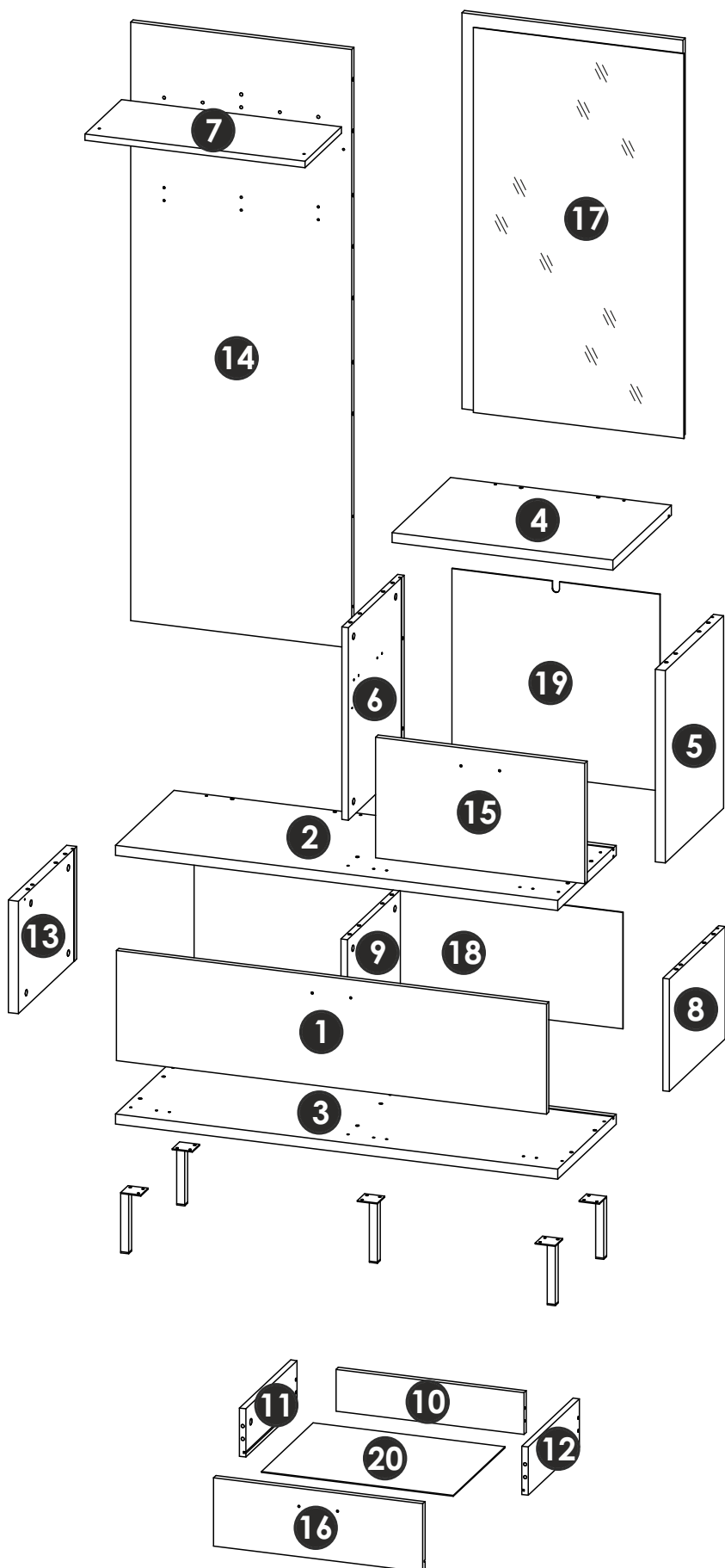
GARDEROBE SNAKE


<p>Ø8x30</p>  <p>A0/1 x26</p>	<p>Ø8x50</p>  <p>A1/1 x4</p>	 <p>B0/1 x4</p>	 <p>C0/2 x14</p>	 <p>C0/11 x8</p>	 <p>C2 x26</p>
 <p>C7 x32</p>	<p>3,5x16</p>  <p>D36 x25</p>	<p>3,5x16</p>  <p>D5 x30</p>	<p>5x13</p>  <p>D21 x8</p>	<p>3.5x25</p>  <p>D44 x6</p>	<p>4x35</p>  <p>D14 x4</p>
<p>4,2x25</p>  <p>D17 x6</p>	 <p>K x1</p>	 <p>P0 x1</p>	<p>5x50mm</p> <p>8x50mm</p>  <p>E0 x2</p>	 <p>M1 x20</p>	 <p>P85 x3</p>
 <p>U0 x5</p>	<p>L350 R</p>  <p>N14 x1</p>	<p>L350 L</p>  <p>N14 x1</p>	<p>H-150</p>  <p>T119/1 x5</p>	 <p>F7 x4</p>	
 <p>L140 x3</p>	 <p>C30 x3</p>	<p>6,4x50</p>  <p>B1 x6</p>	<p>7x70</p>  <p>B2 x5</p>	<p>a</p>  <p>J4/3 x5</p>	 <p>C4/1 x1</p>
 <p>P36/1 x1</p>	 <p>P36/1 x1</p>	<p>L=500</p>  <p>P36/1 x1</p>	 <p>BN x1</p>		

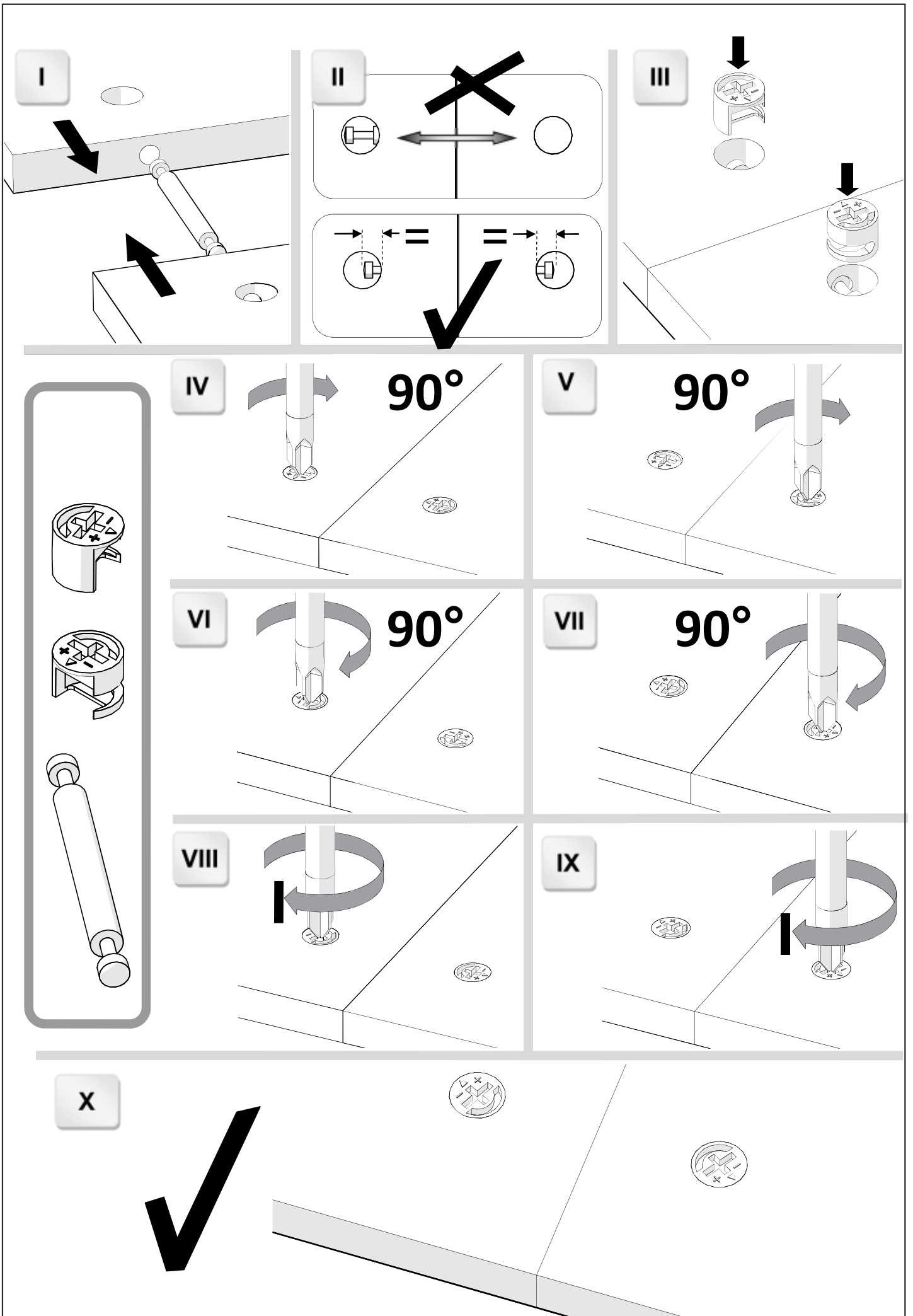


00170043/01

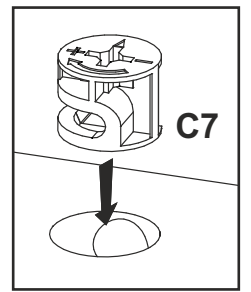
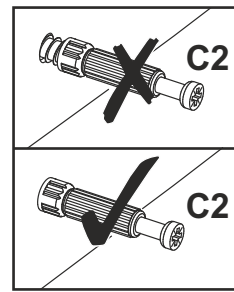
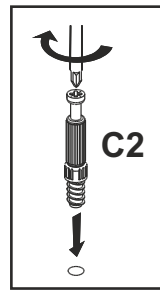
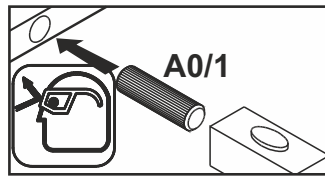
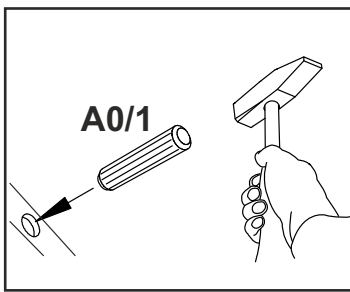
# GARDEROBE SNAKE



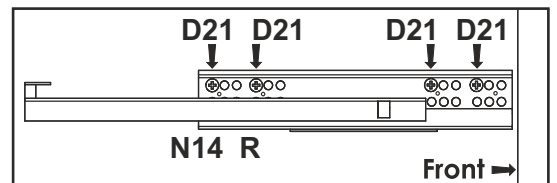
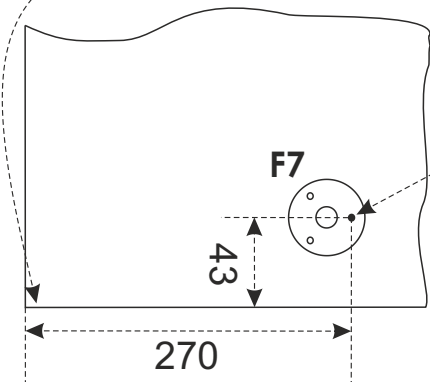
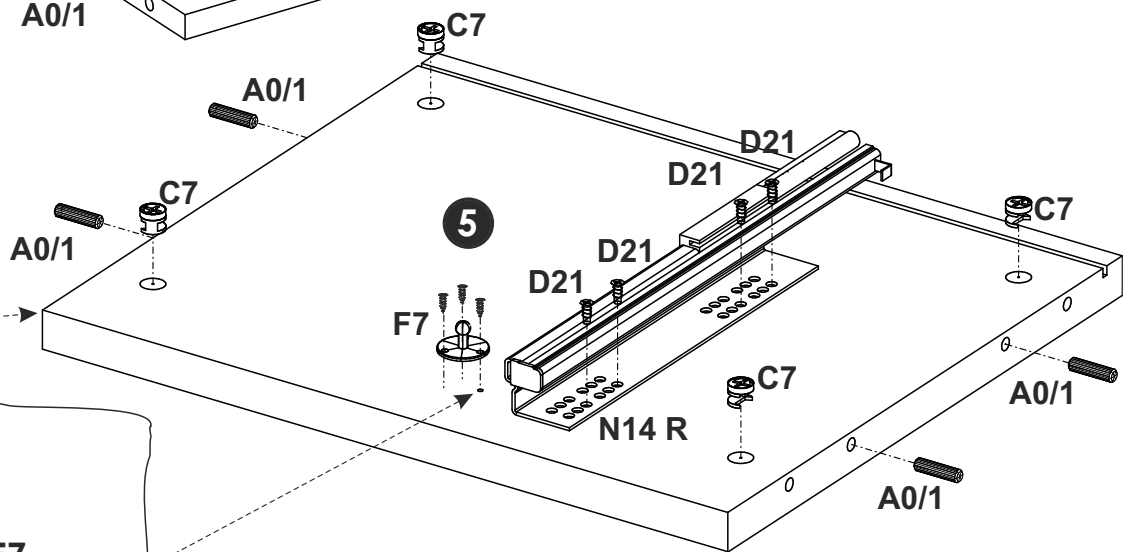
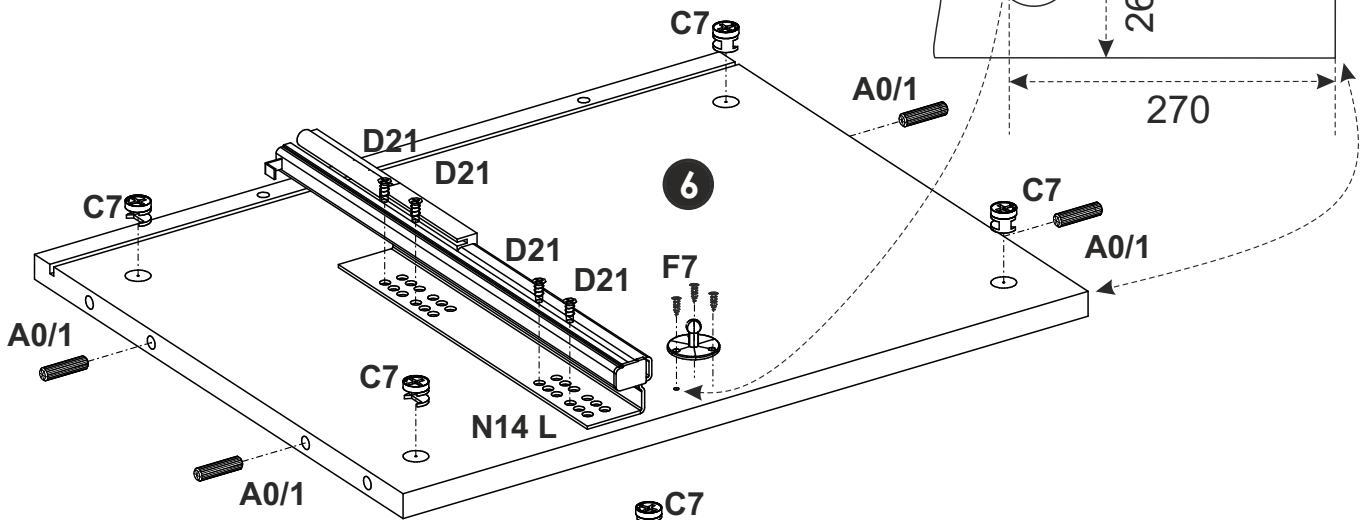
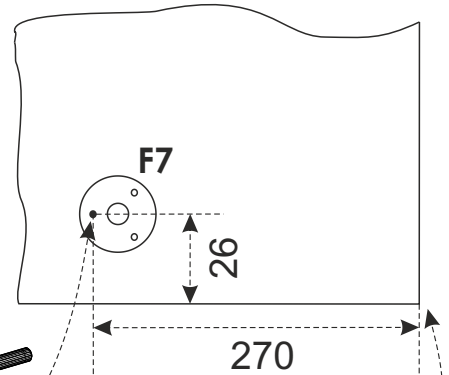
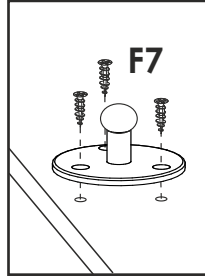
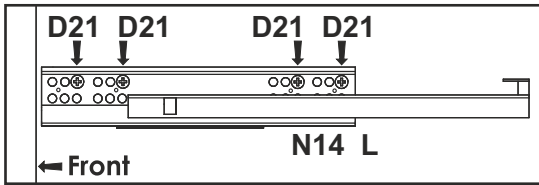
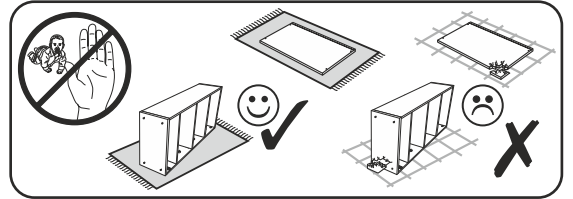
1	274	1071	16 x1	1/3
2	1101	400	25 x1	1/3
3	400	1101	25 x1	1/3
4	550	400	25 x1	1/3
5	479	399	25 x1	1/3
6	479	382	16 x1	2/3
7	548	250	16 x1	2/3
8	280	382	16 x1	2/3
9	280	362	16 x1	2/3
10	468	104	16 x1	2/3
11	350	120	16 x1	2/3
12	350	120	16 x1	2/3
13	280	399	25 x1	2/3
14	1490	550	16 x2	3/3
15	300	521	16 x1	3/3
16	170	521	16 x1	3/3
17	986	550	16 x1	3/3
18	290	1068	2,5 x1	3/3
19	489	518	2,5 x1	3/3
20	478	354	2,5 x1	3/3
				1/3



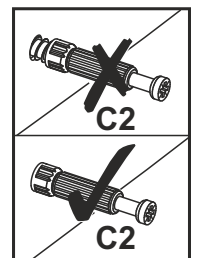
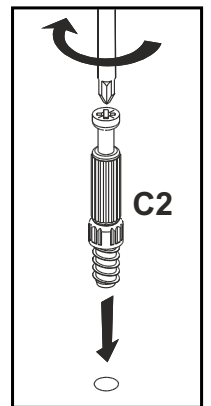
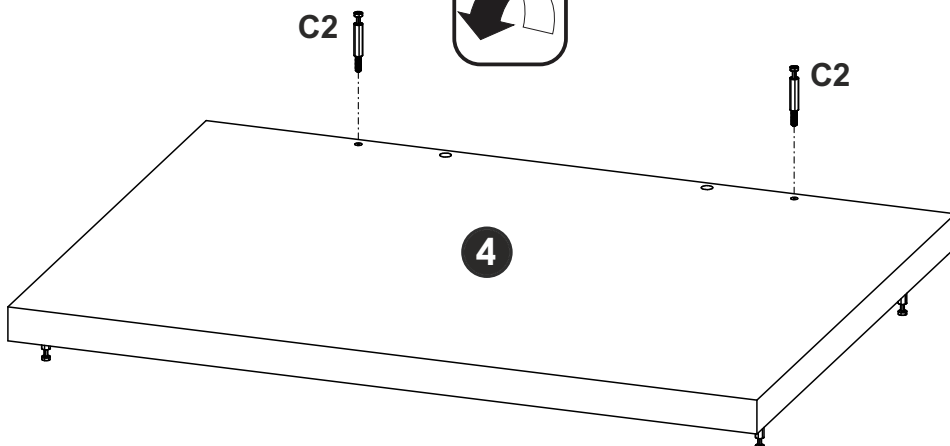
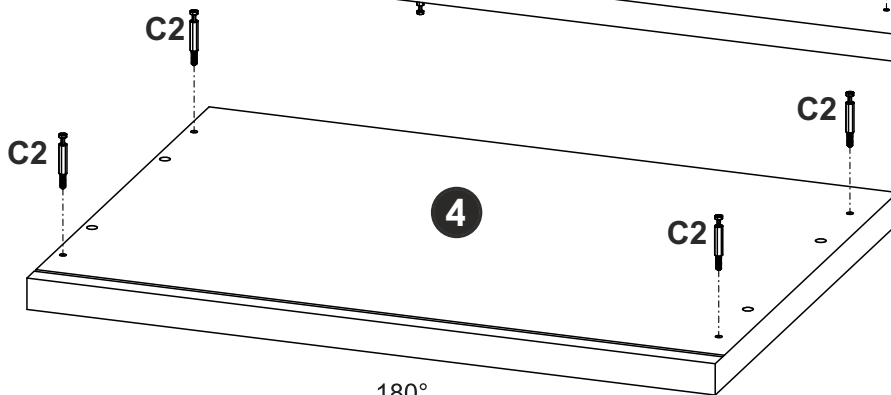
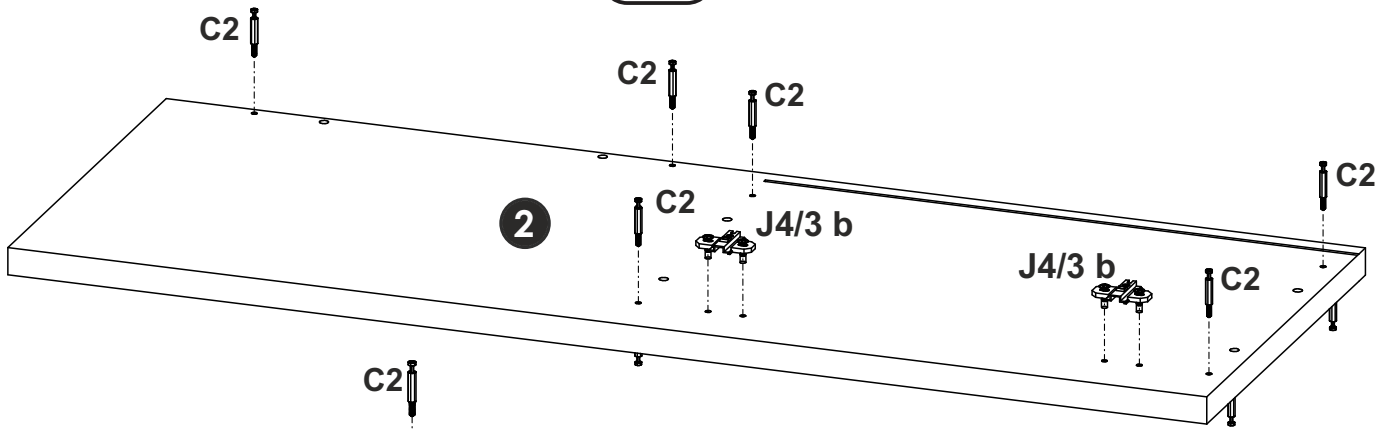
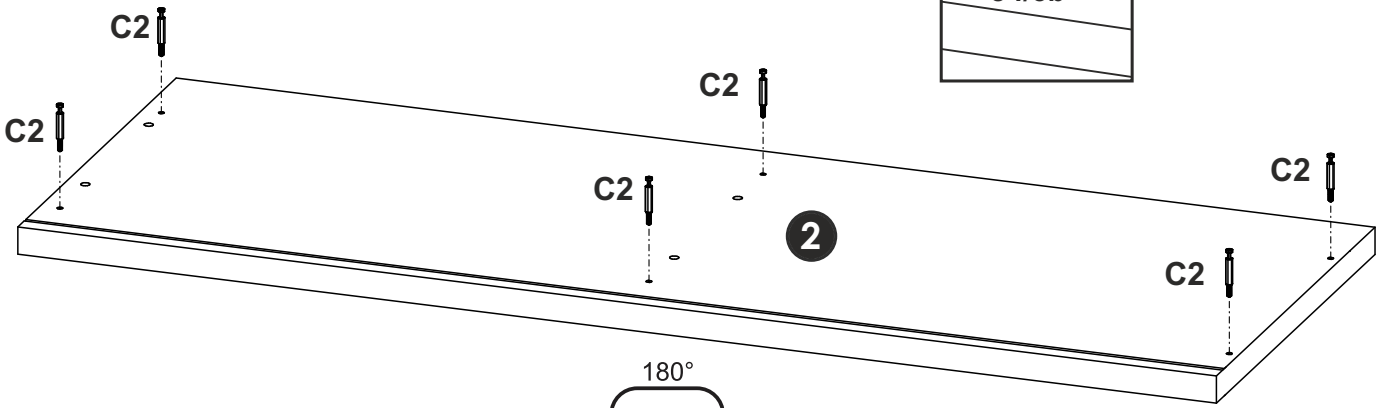
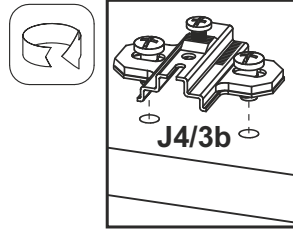
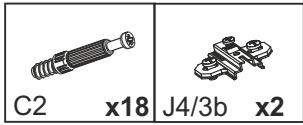




 Ø8x30 A0/1 x8	 C7 x8	 L350 L N14 x1
 F7 x2	 5x13 D21 x8	 L350 R N14 x1

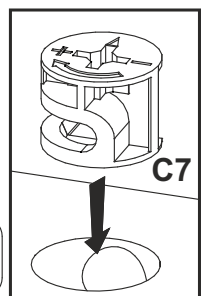
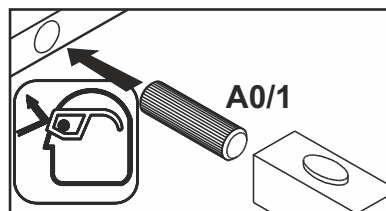
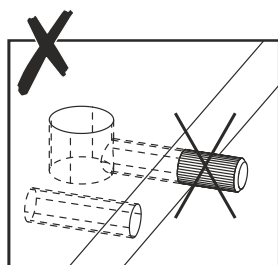
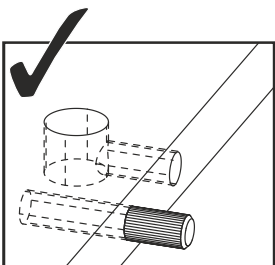
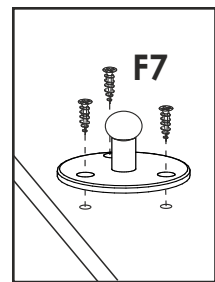
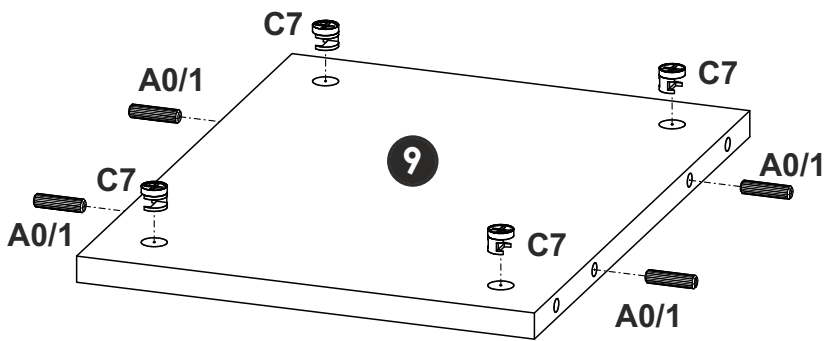
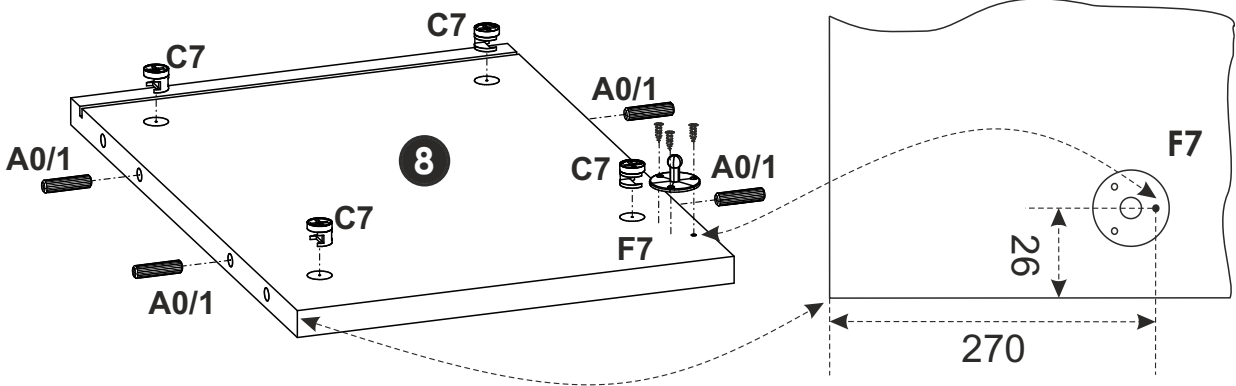
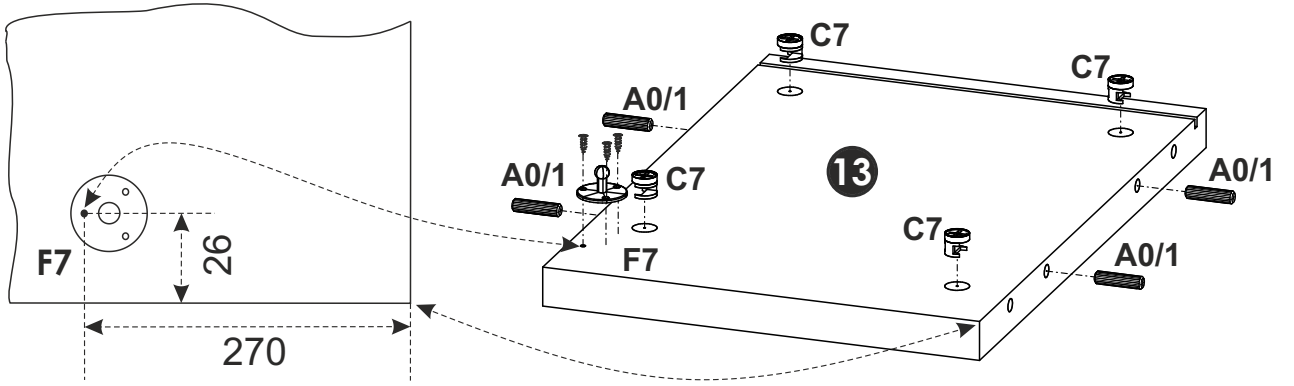


2 ▶

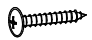
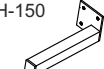




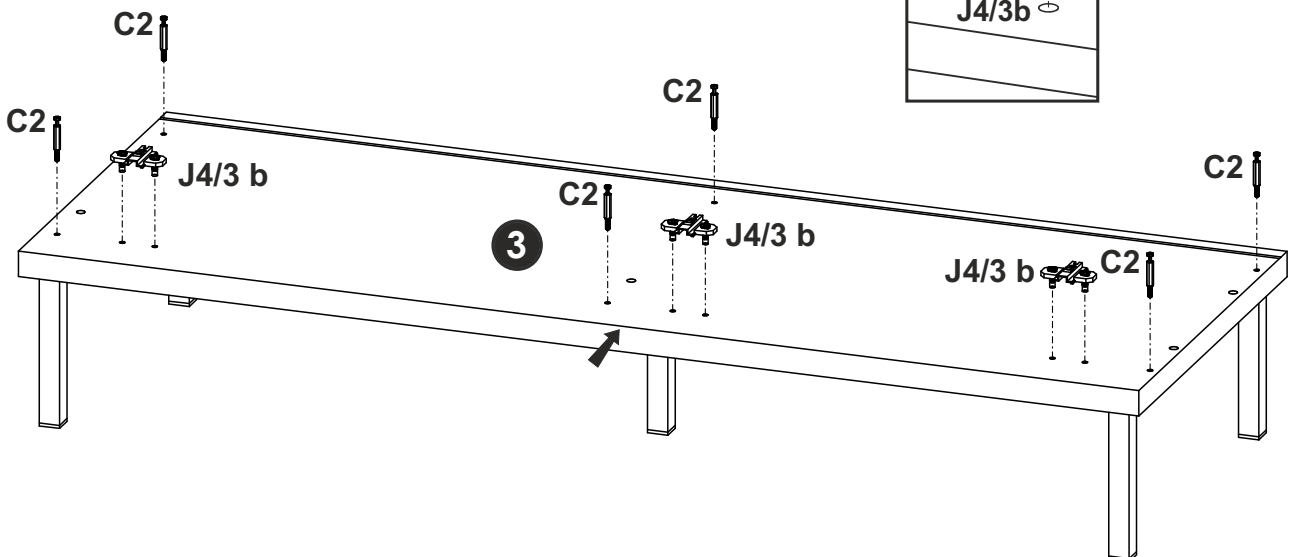
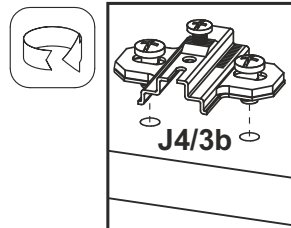
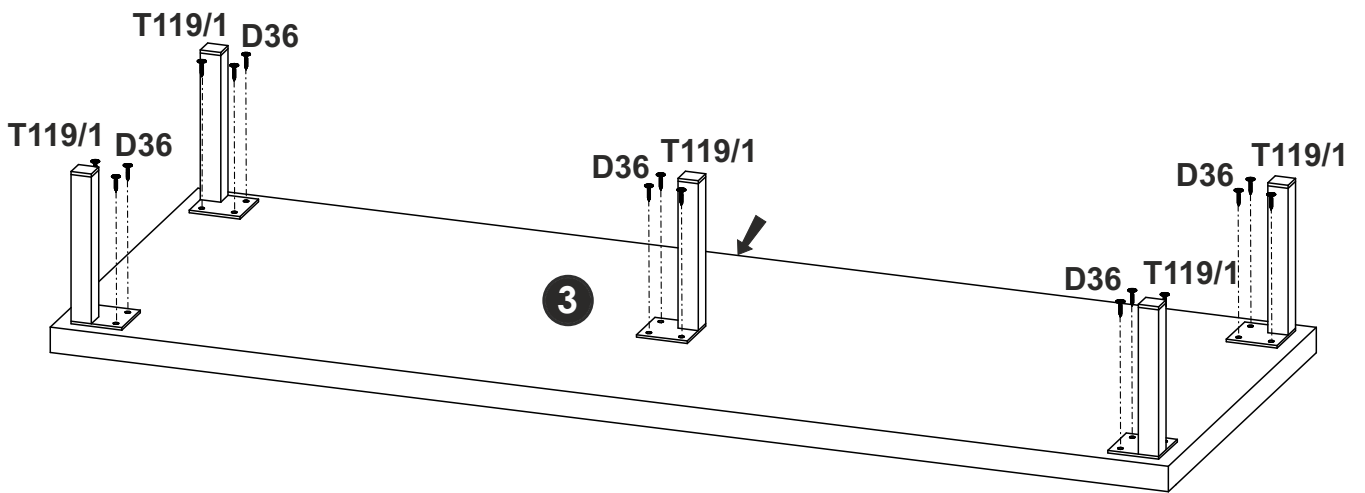
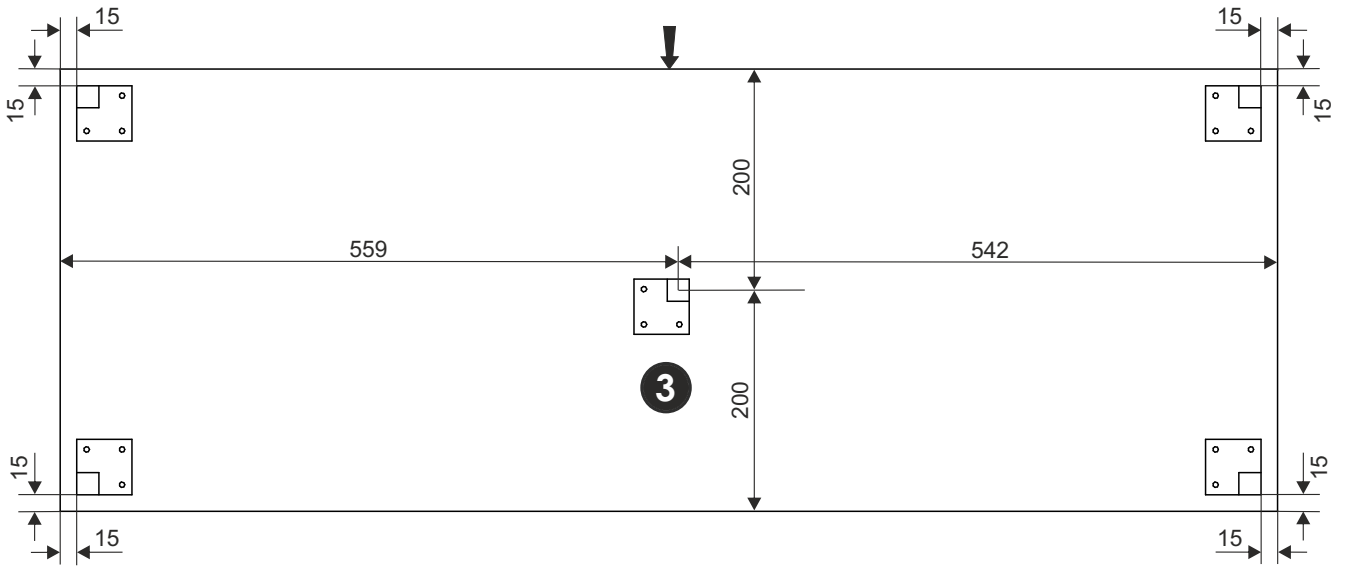
3 ▶

Ø8x30			
A0/1	x12	C7	x12
F7			x2






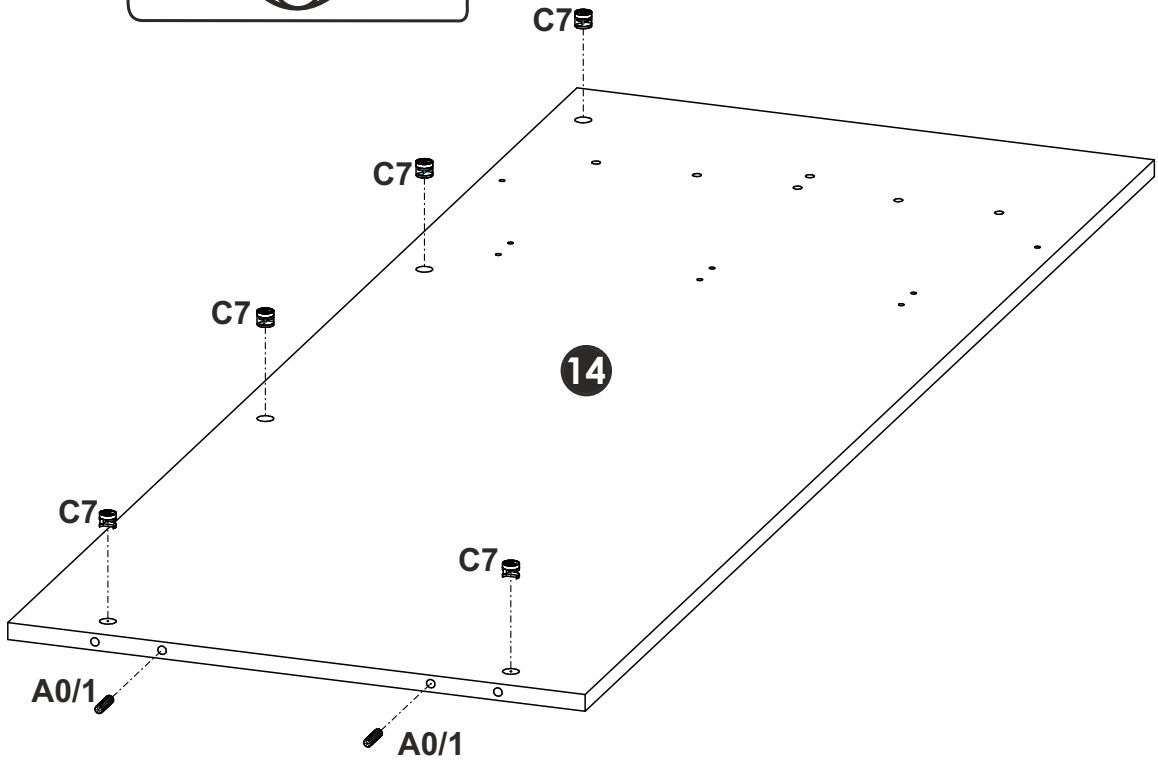
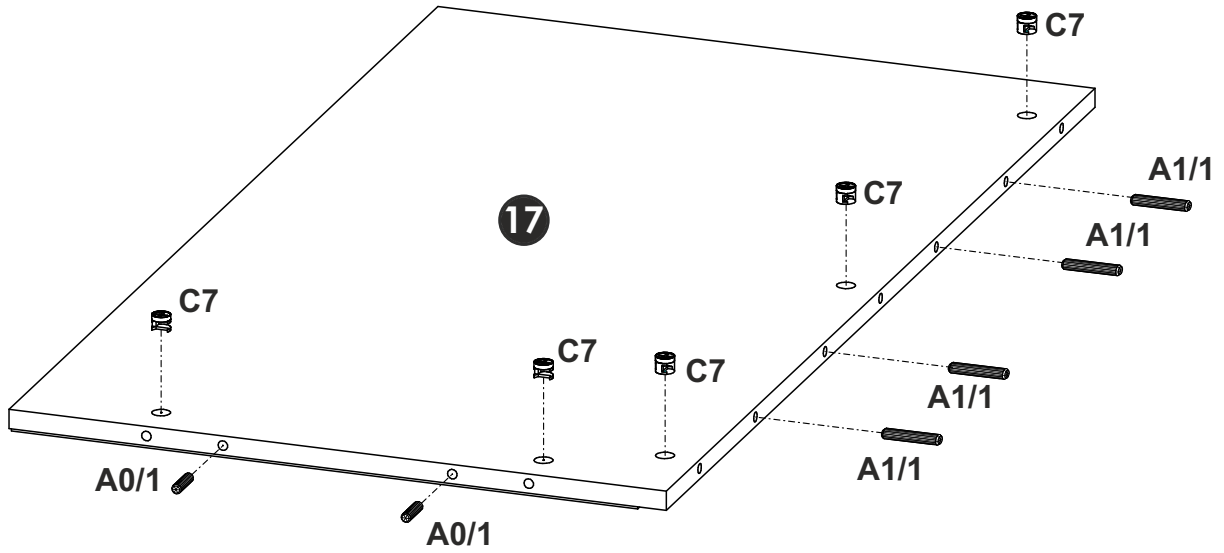
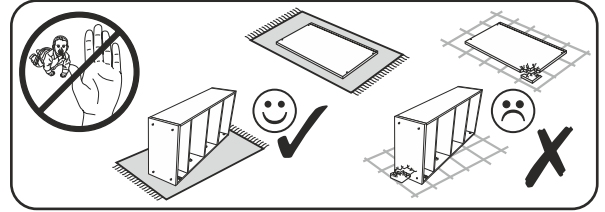
4

3,5x16 	H-150 		
D36 x15	T119/1 x5	C2 x6	J4/3b x3







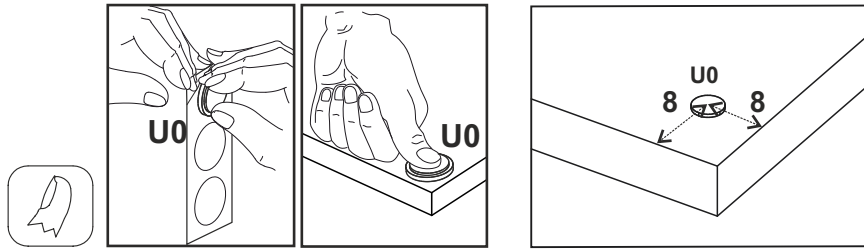
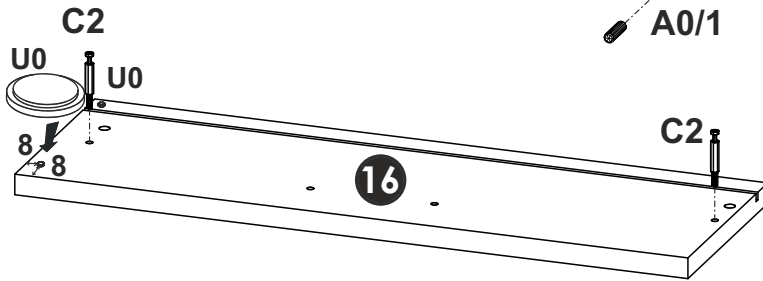
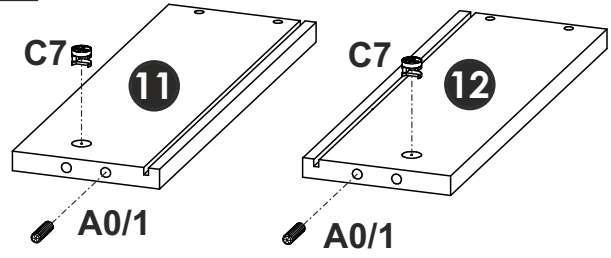
5 ▶

 Ø8x30 A0/1 x4	 Ø8x50 A1/1 x4	 C7 x10
---	---	---





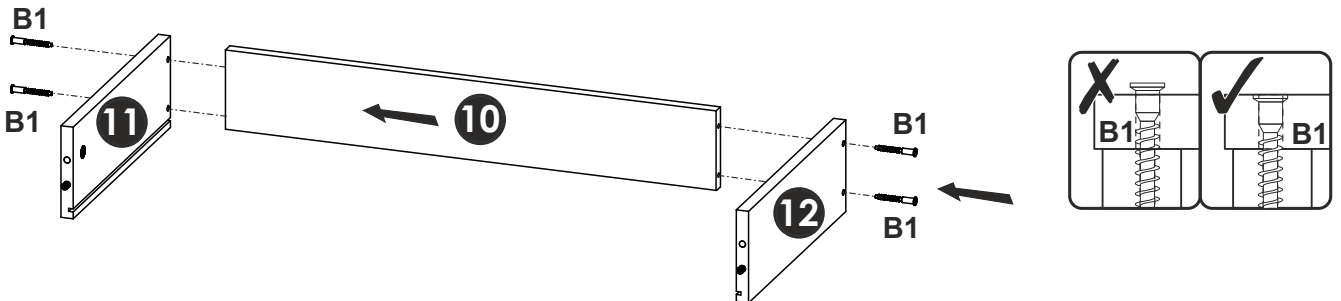
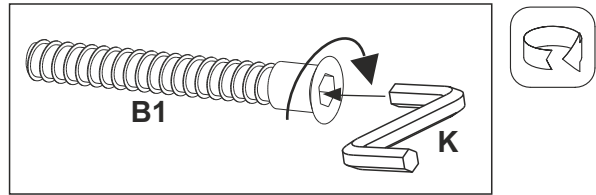
6 ▶

 Ø8x30 A0/1 x2	 C7 x2	 C2 x2	 U0 x2
---	--	--	--

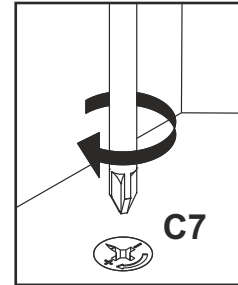
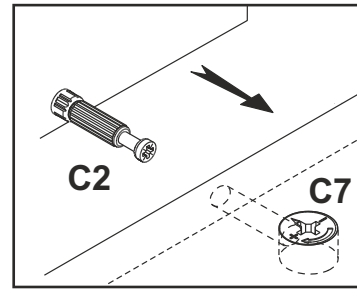
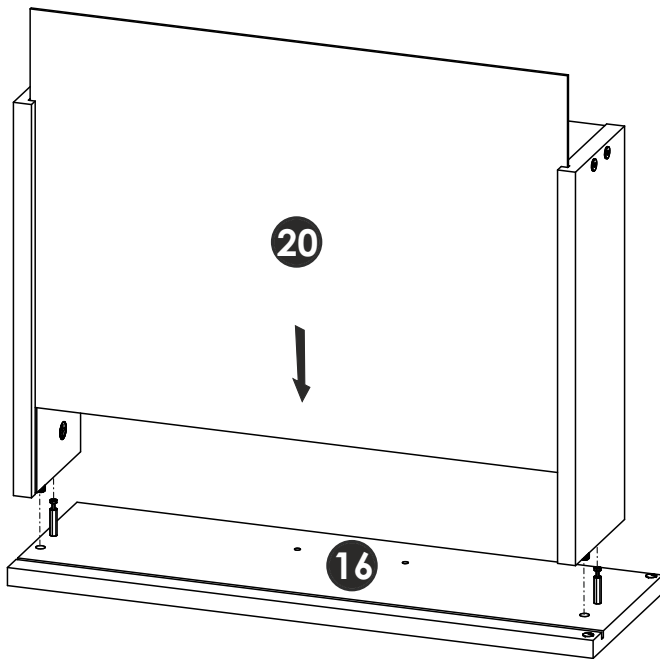


7 ▶

 6,4x50 B1 x4	 K x1
--	---

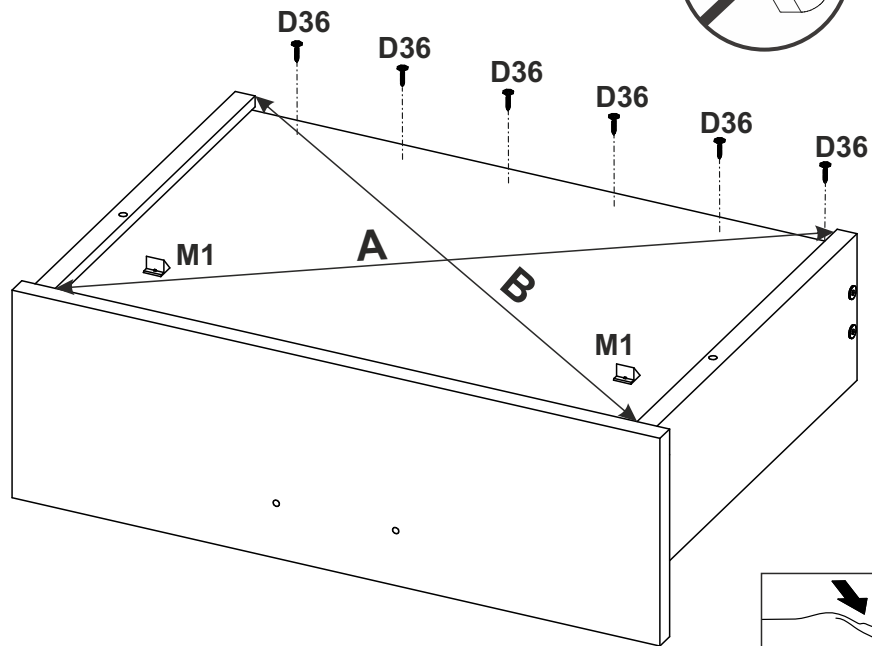
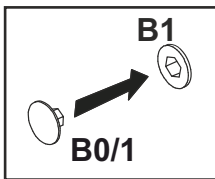


8 ▶

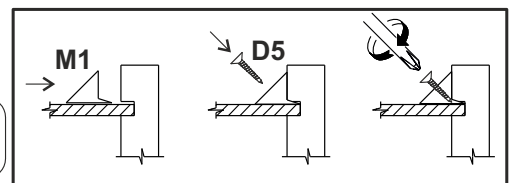
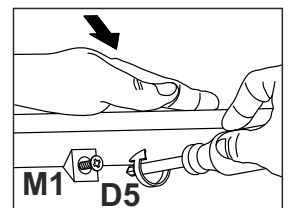
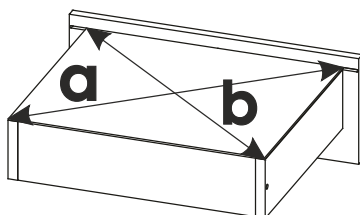


9 ▶



	3,5x16	3,5x16	
B0/1 x4	D5 x2	D36 x6	M1 x2

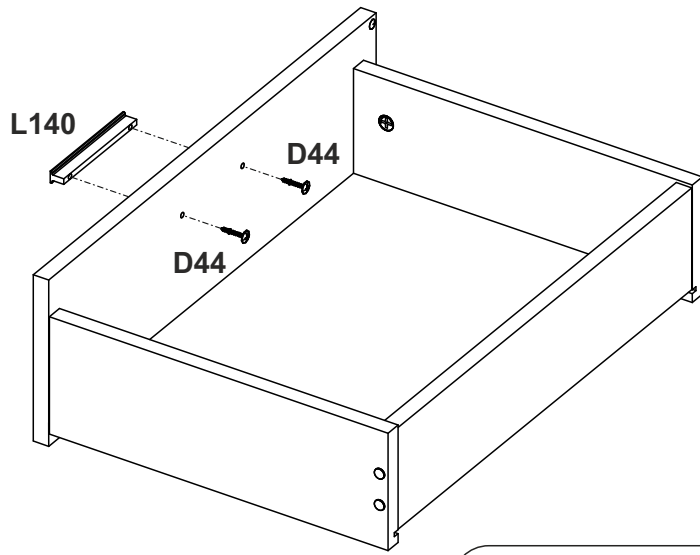


**a=b**


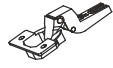




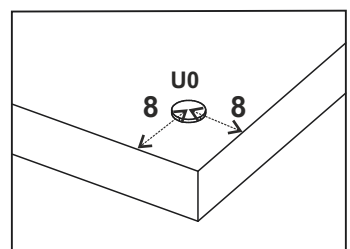
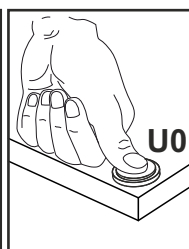
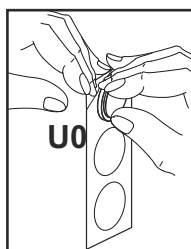
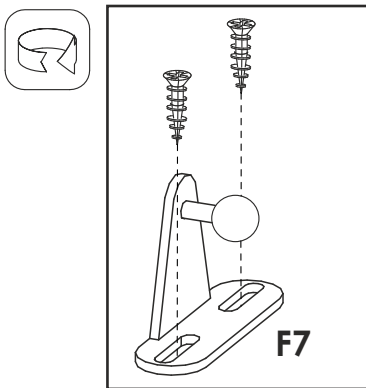
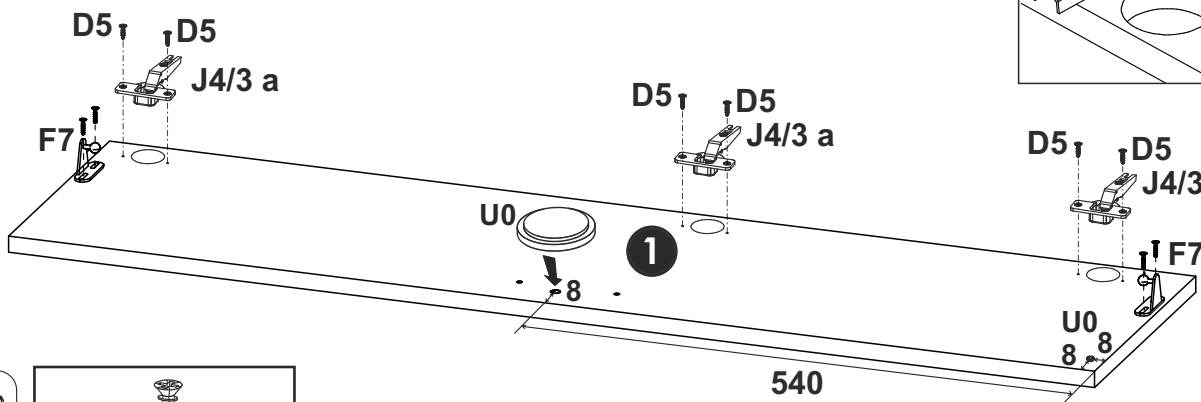
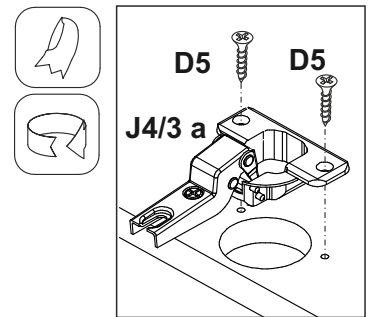
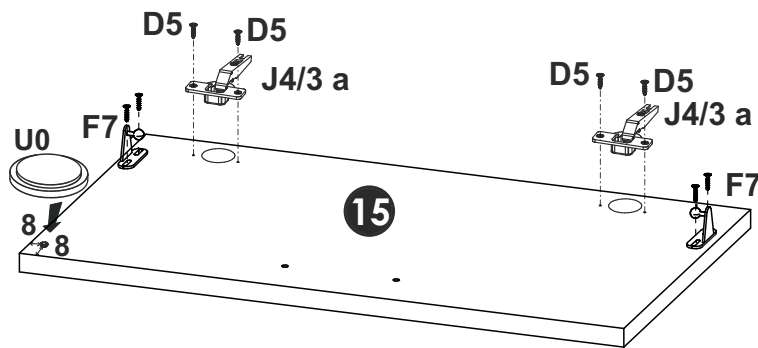
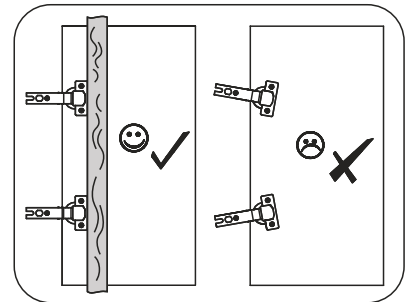
10 ▶

3,5x25		
D44	x2	L140 x1



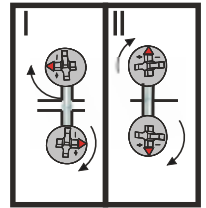
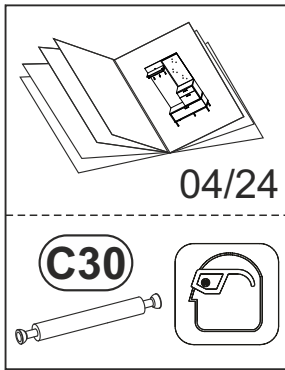
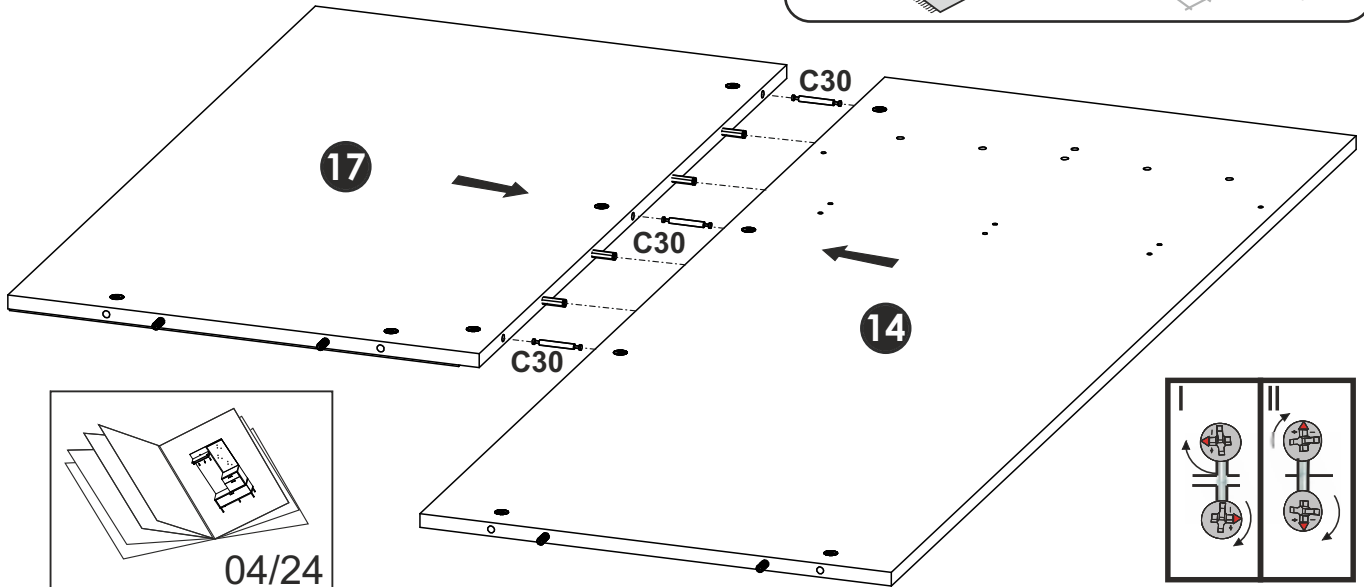
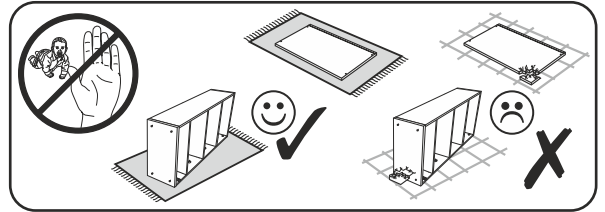
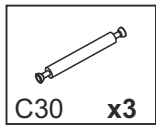
11 ▶

3,5x16				
D5	x10	J4/3 a x5	F7 x4	U0 x3

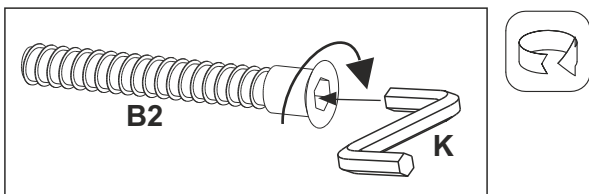
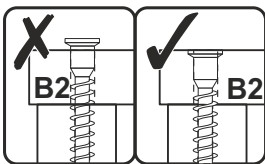
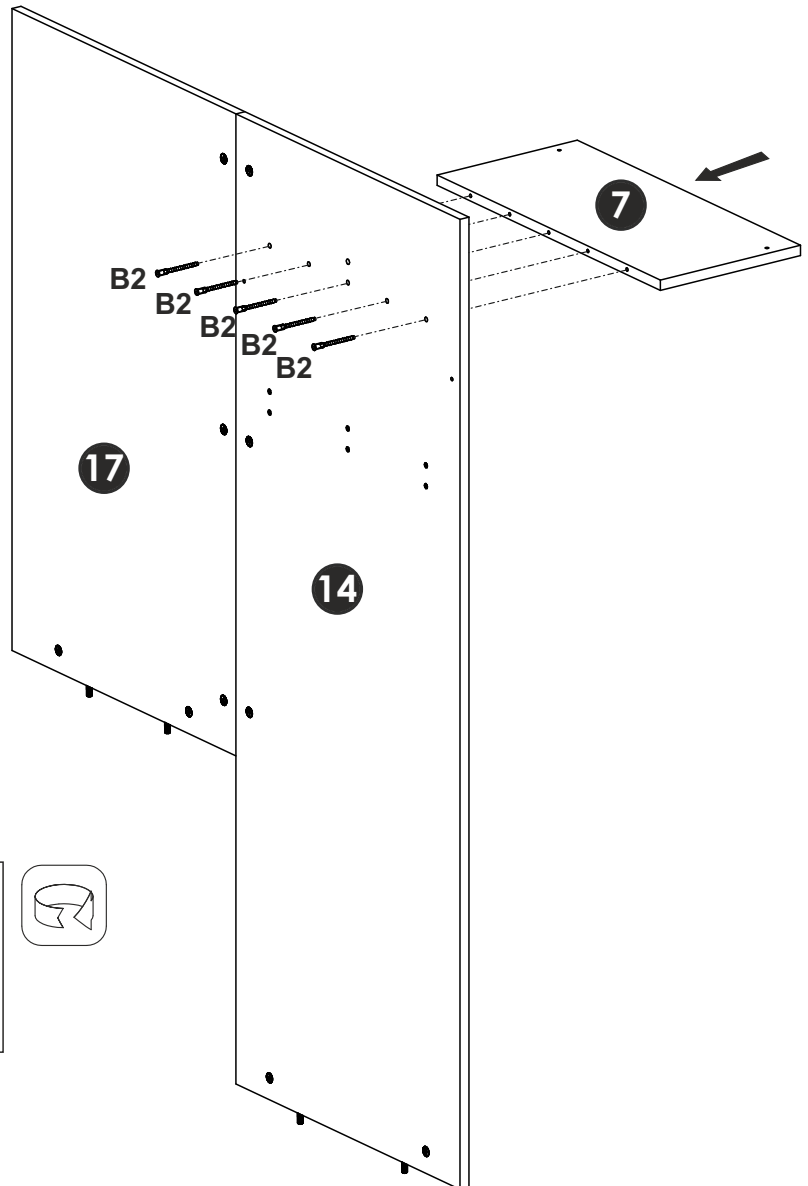
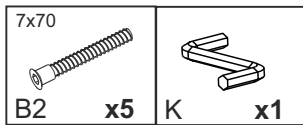





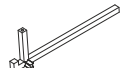


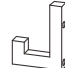

12▶

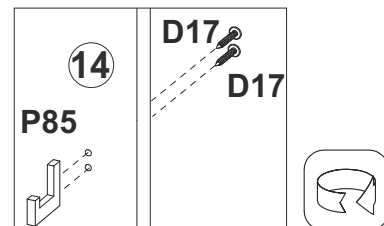
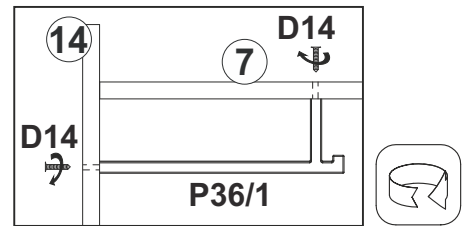
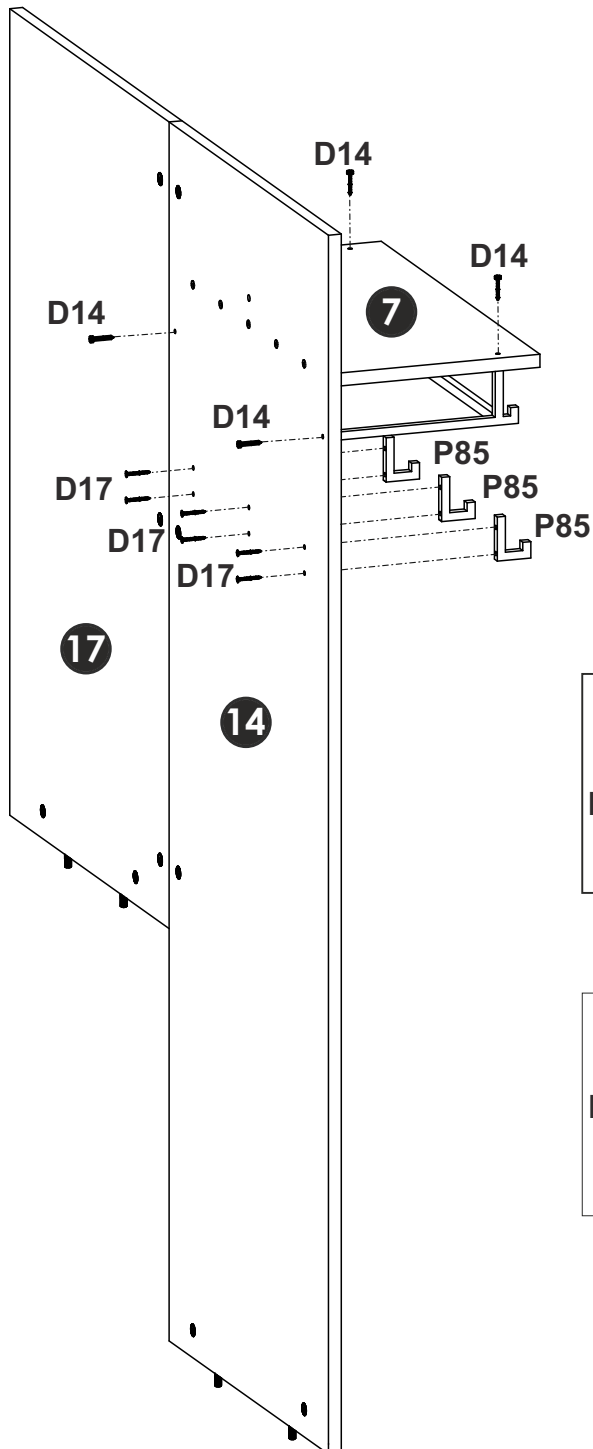
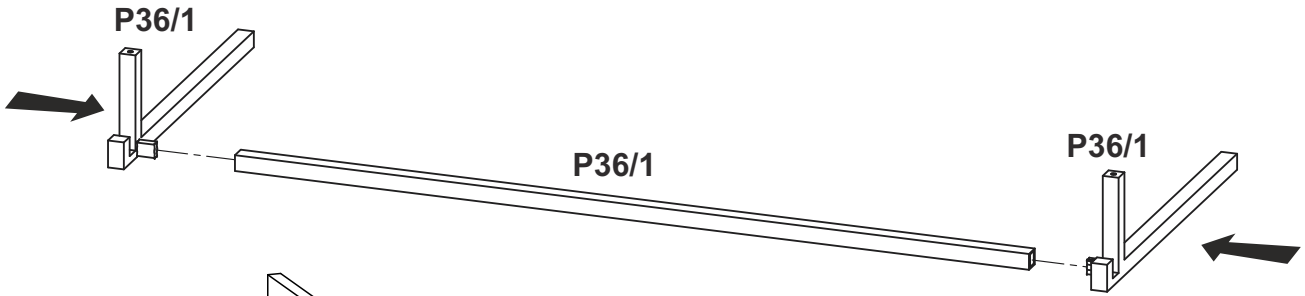


13▶

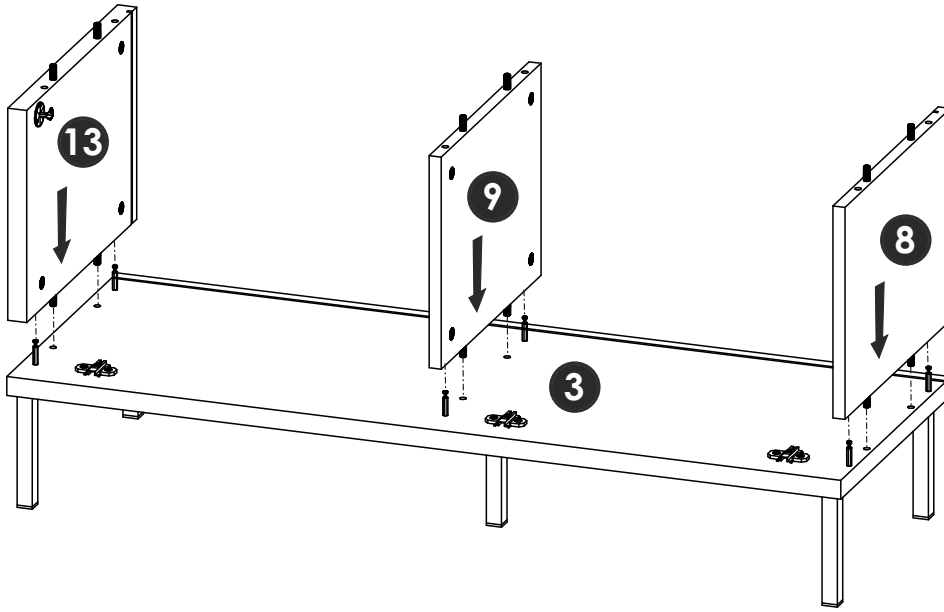


14 ▶

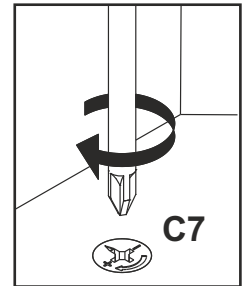
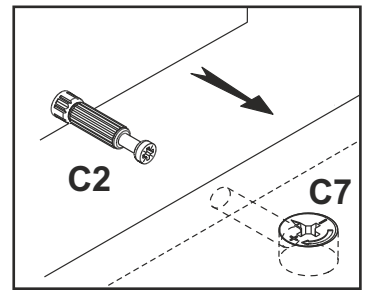
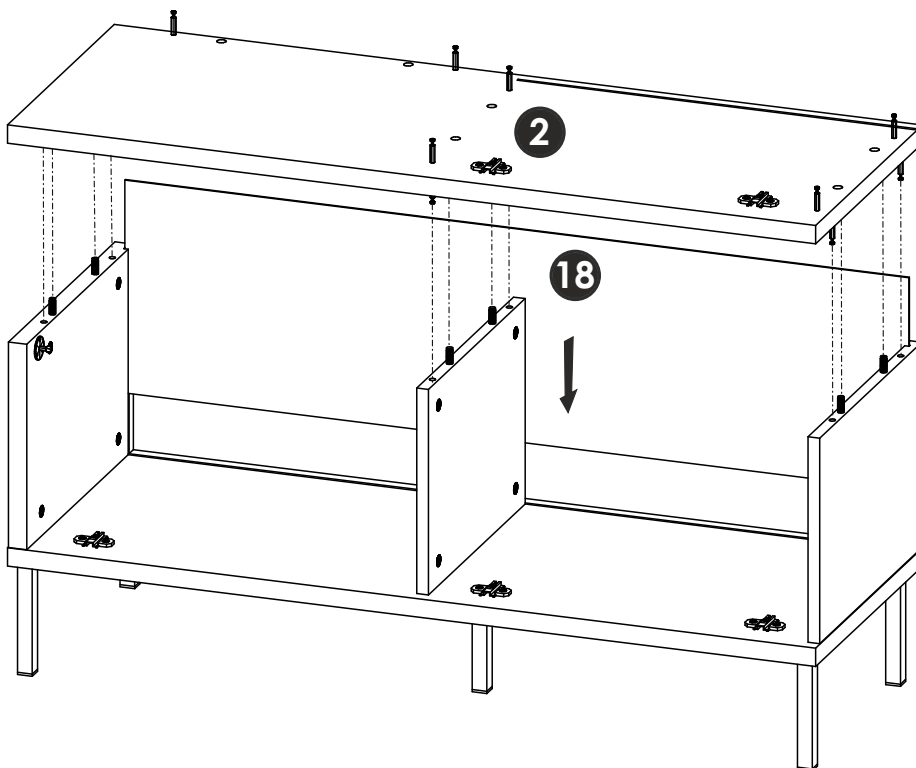
4x35  D14 x4	 P36/1 x1	 P36/1 x1	L=500  P36/1 x1	 P85 x3	4,2x25  D17 x6
---	---	---	--	---	---






15▶

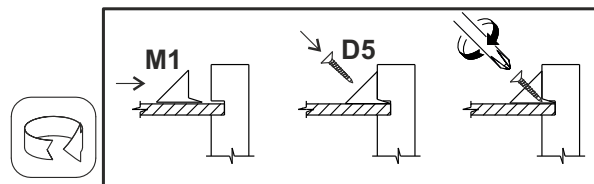
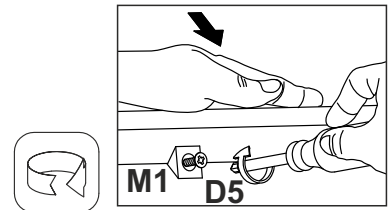
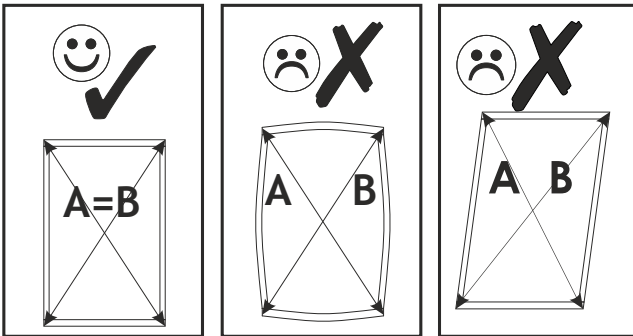
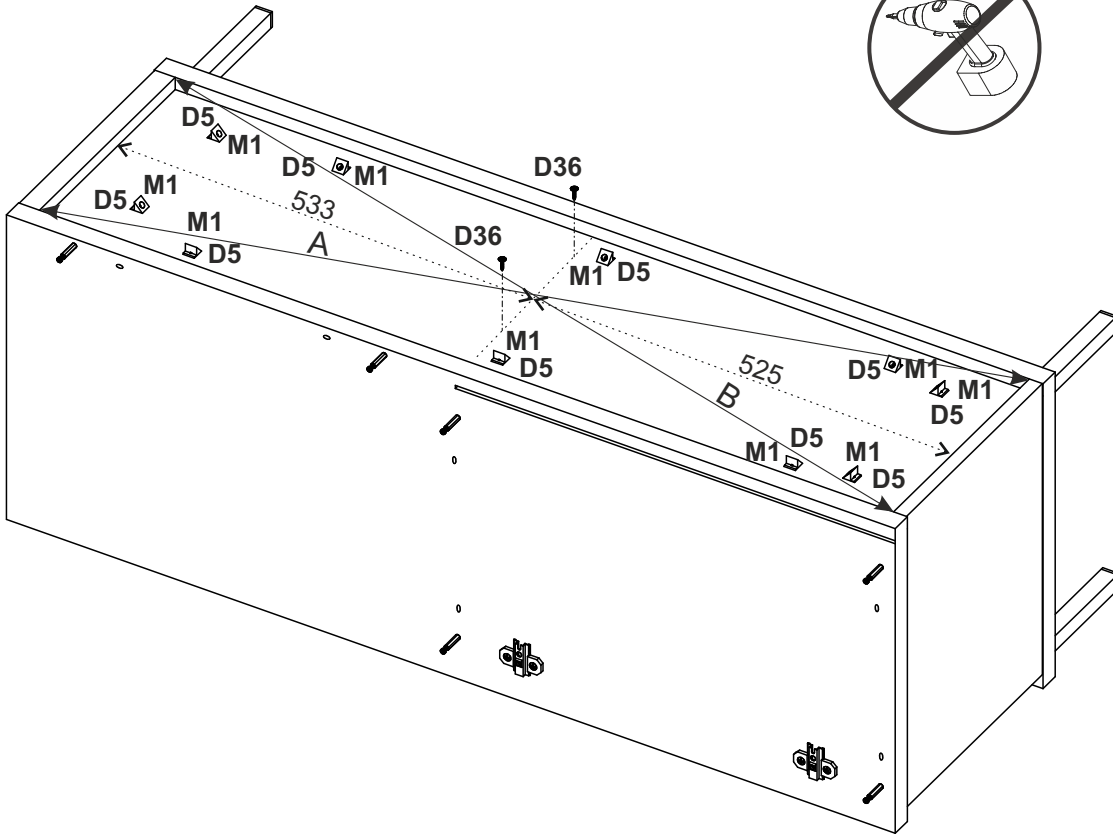


16▶

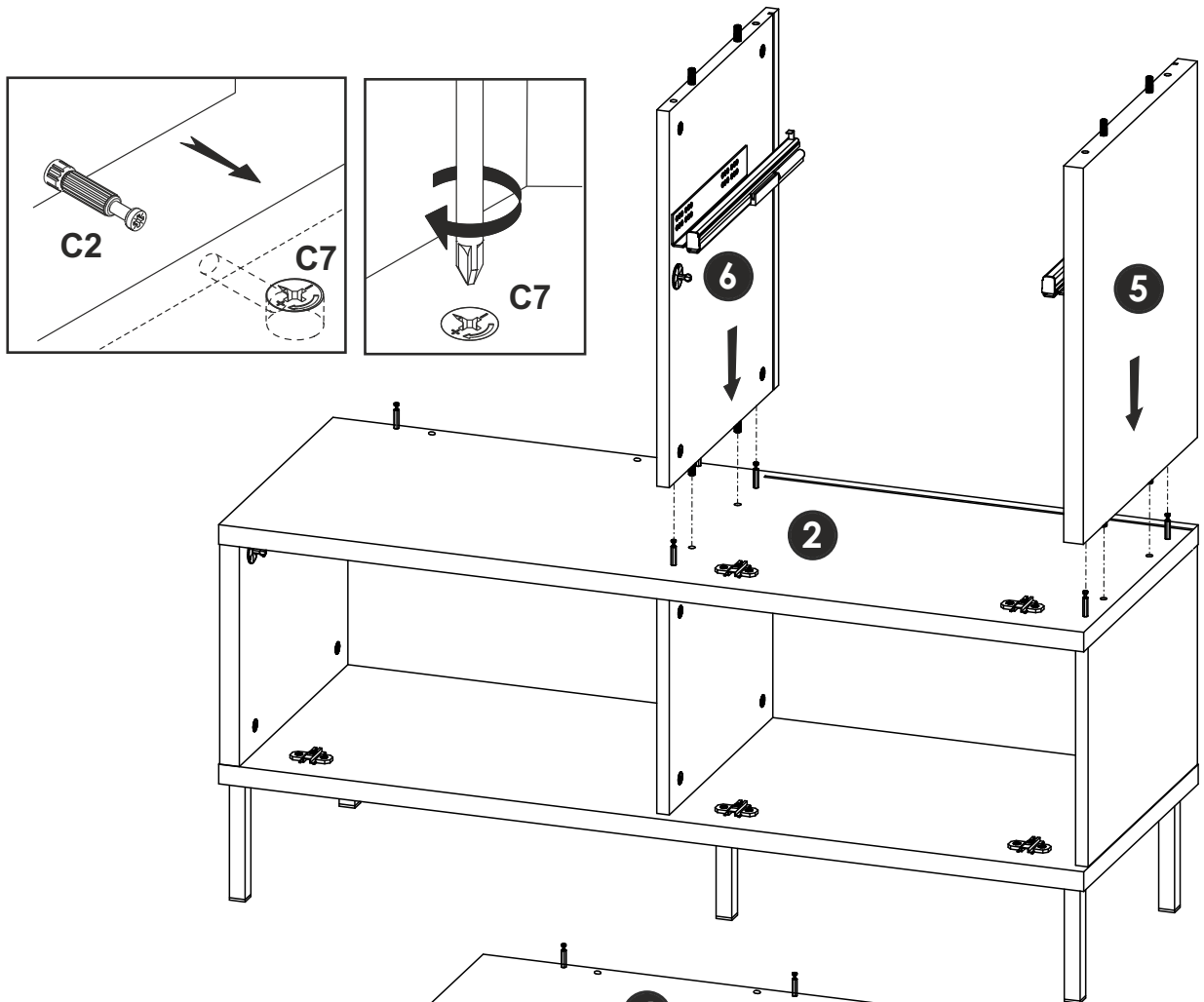


17 ▶

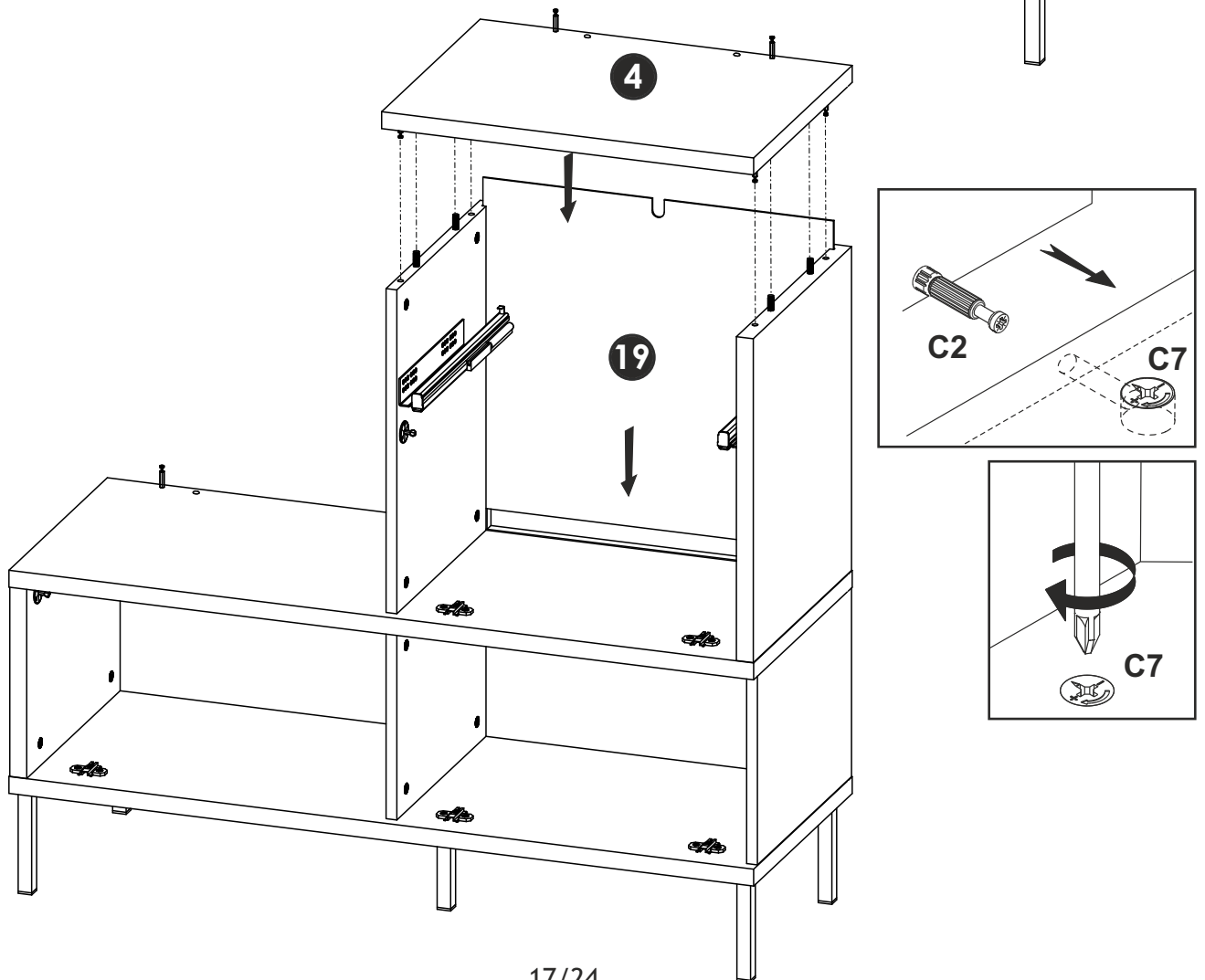
3,5x16 	3,5x16 	
D5 x10	D36 x2	M1 x10



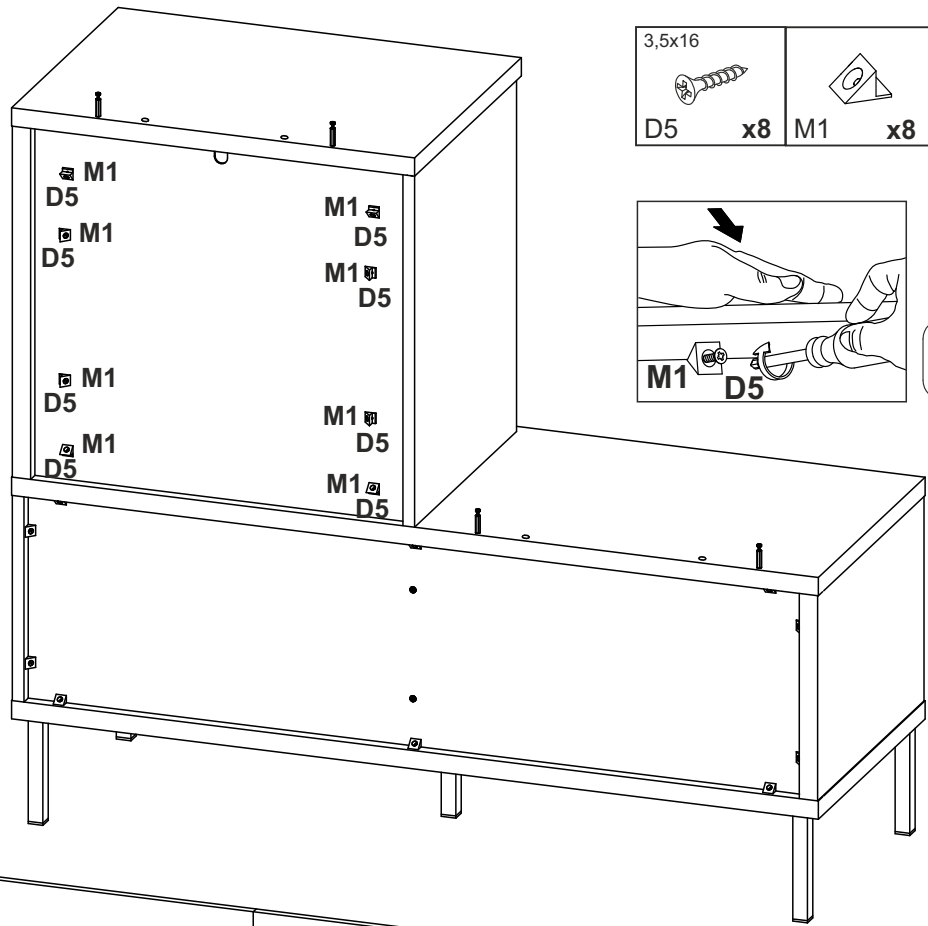
18▶



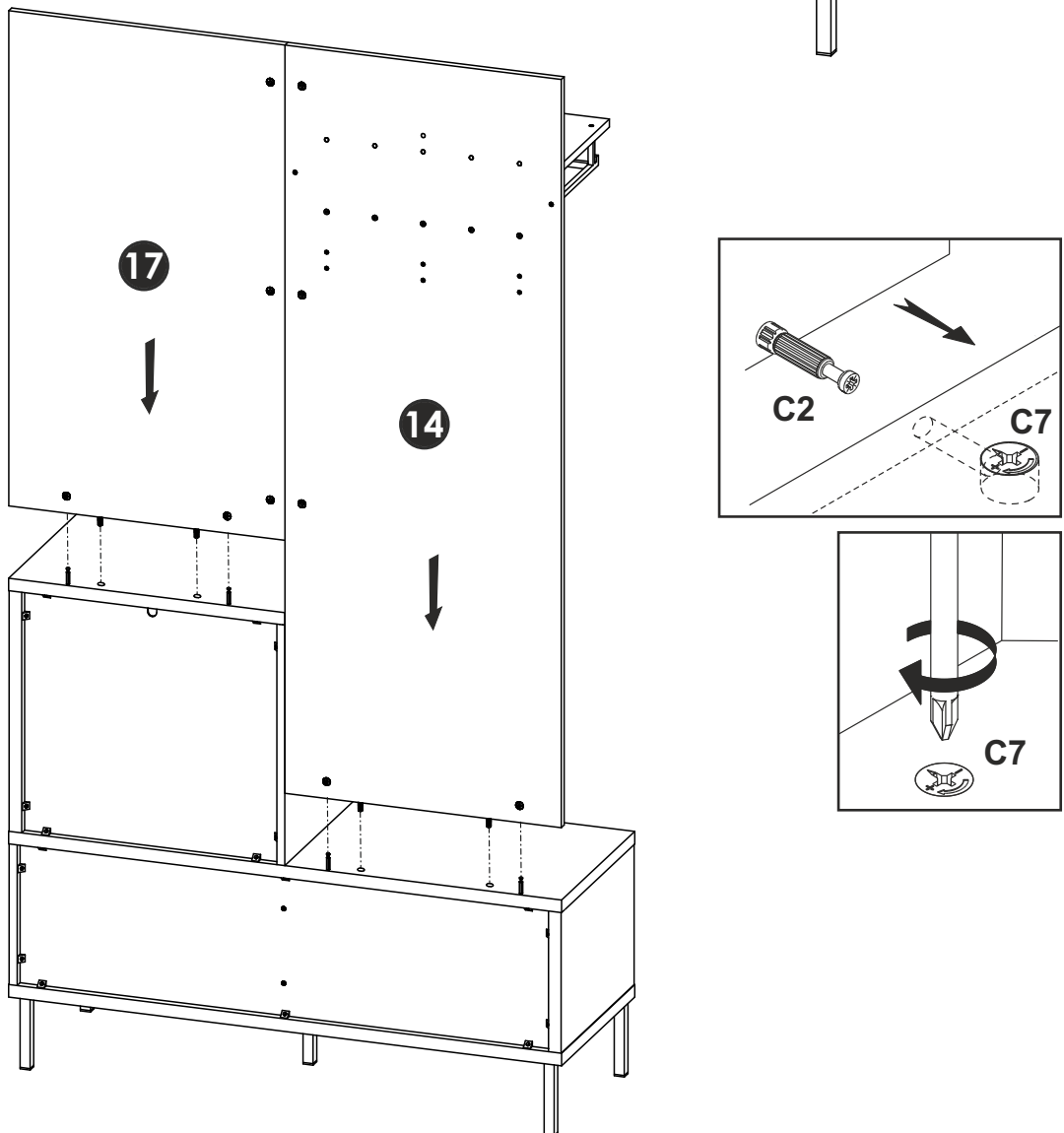
19▶



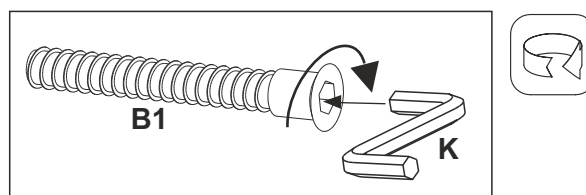
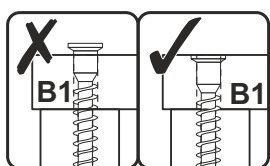
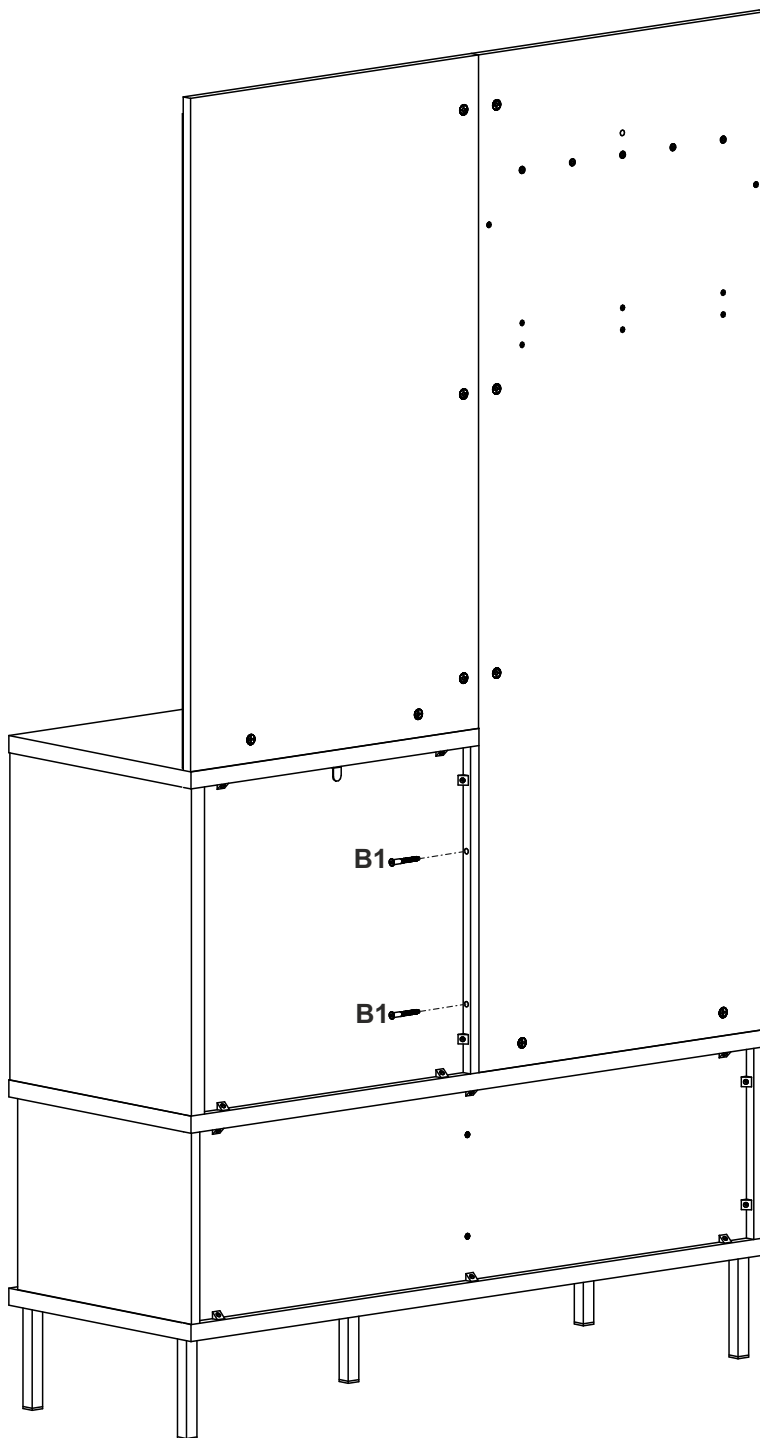
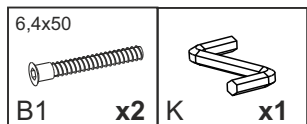
20 ▶



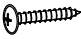

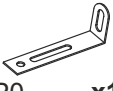
21 ▶

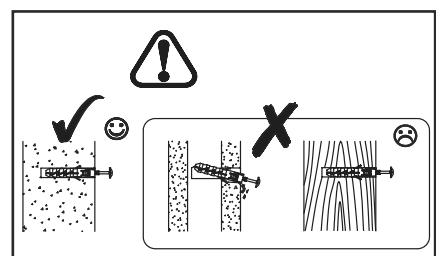
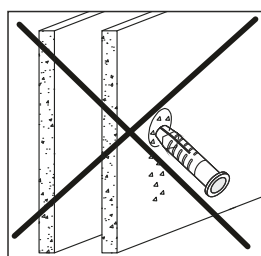
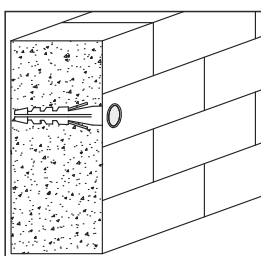
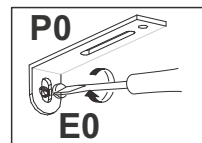
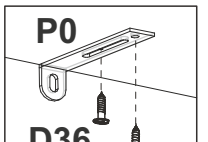
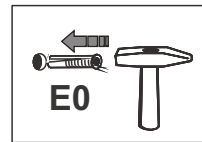
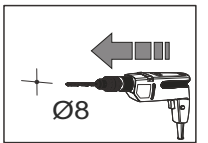
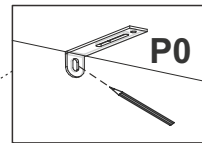
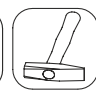
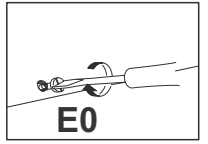
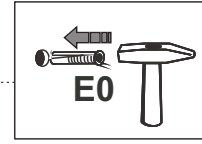
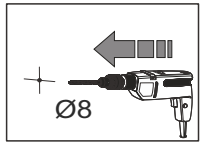
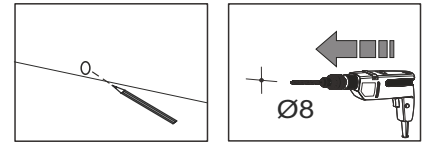
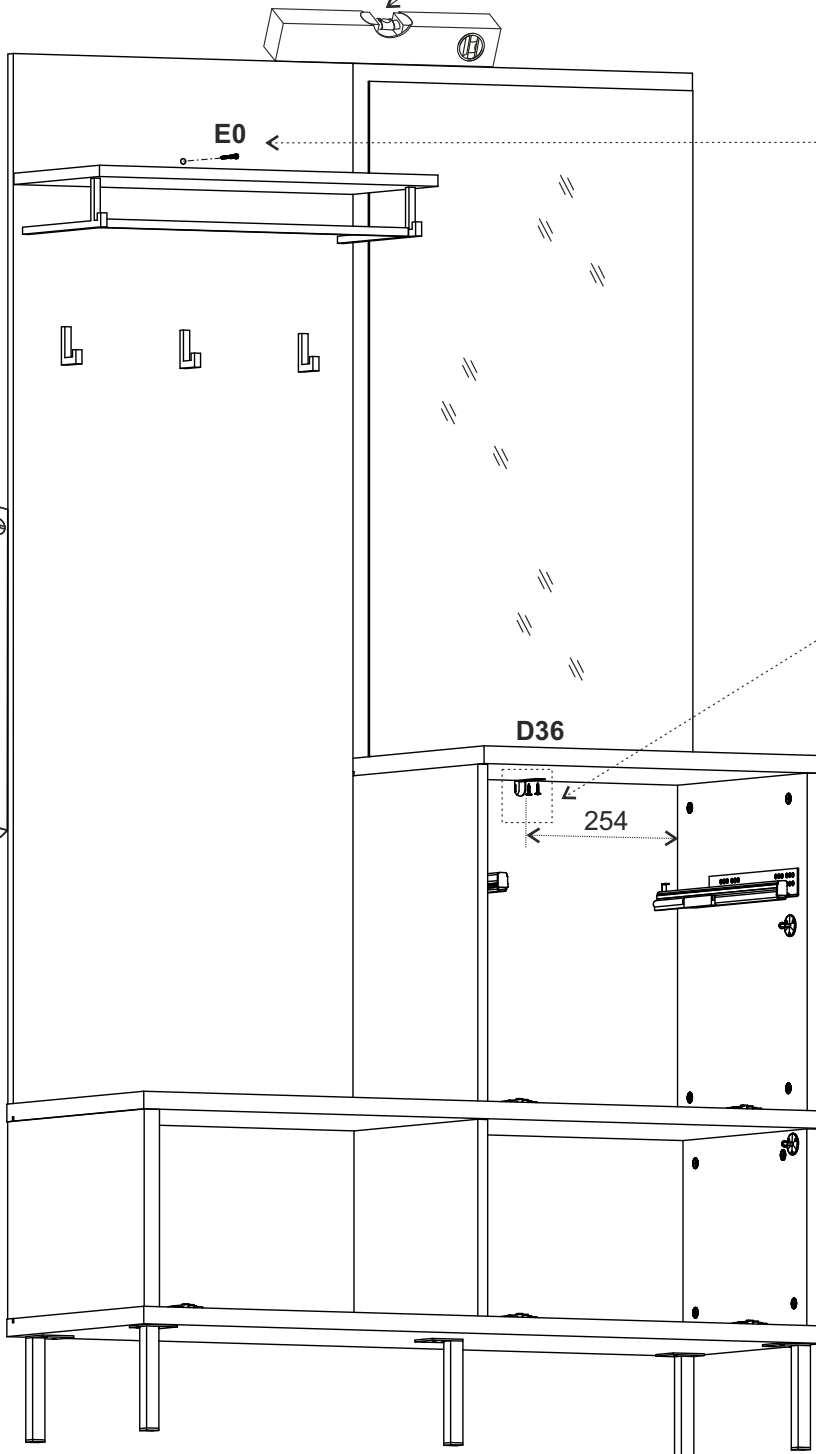
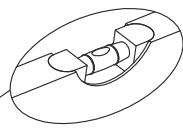


22 ▶






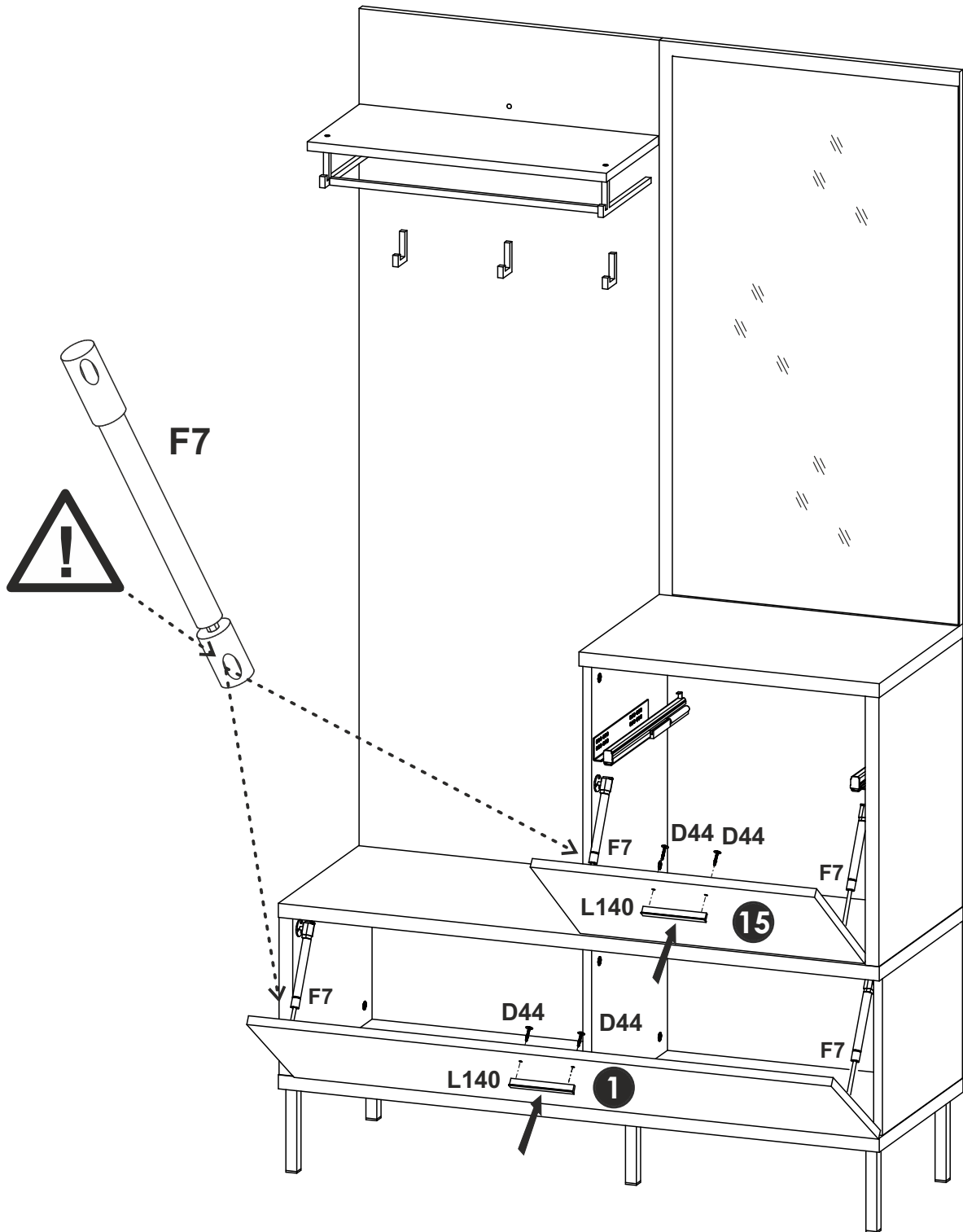
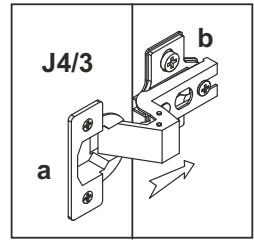
# 23

3,5x16  D36 x2	5x50mm 8x50mm  E0 x2	 P0 x1
---	--	--

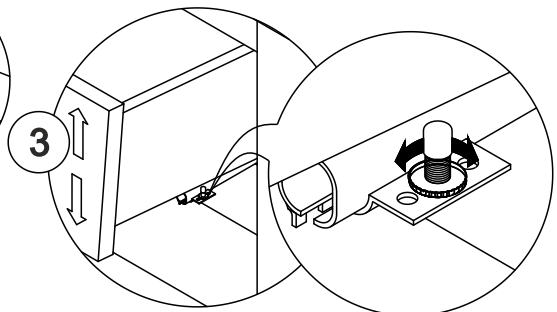
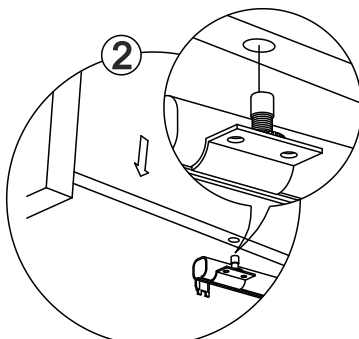
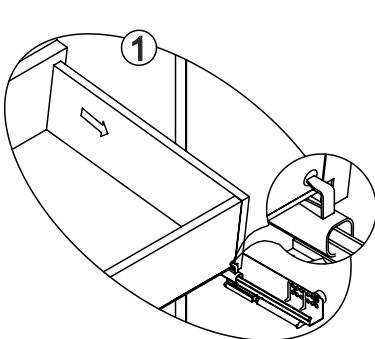
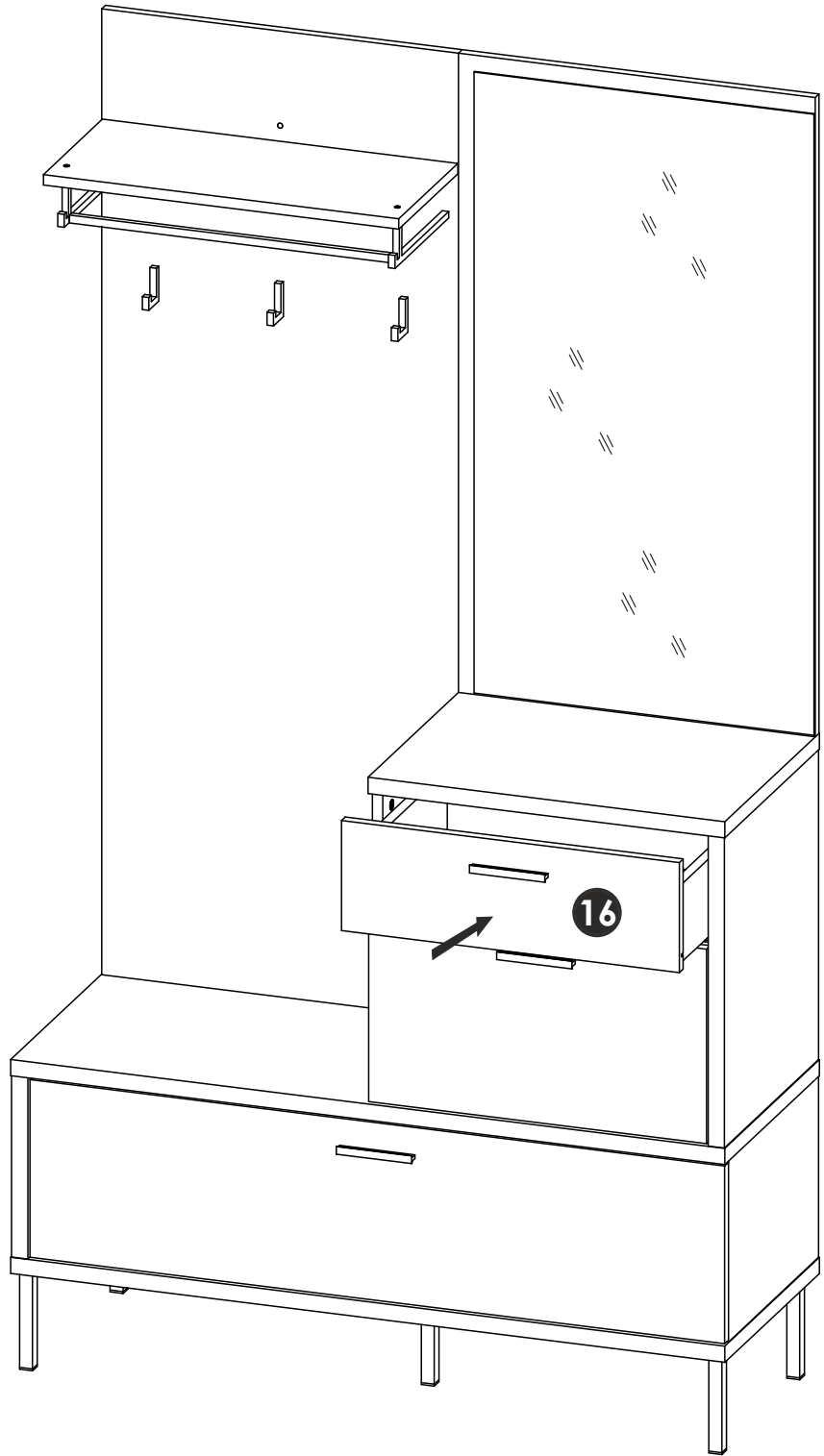
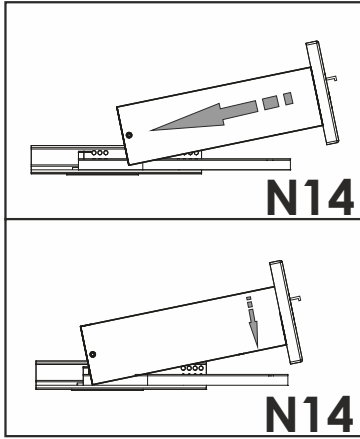







3,5x25 		
D44 x4	L140 x2	F7 x4

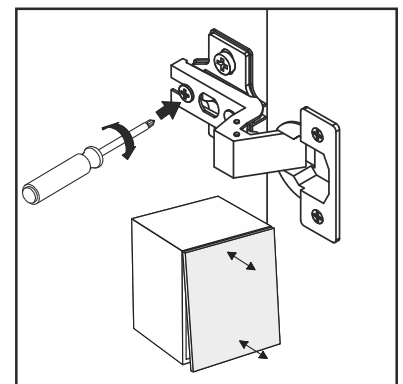
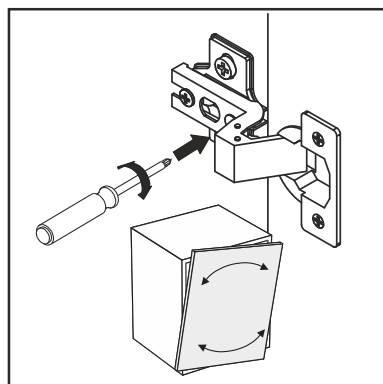
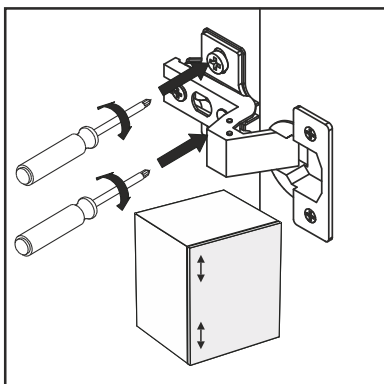
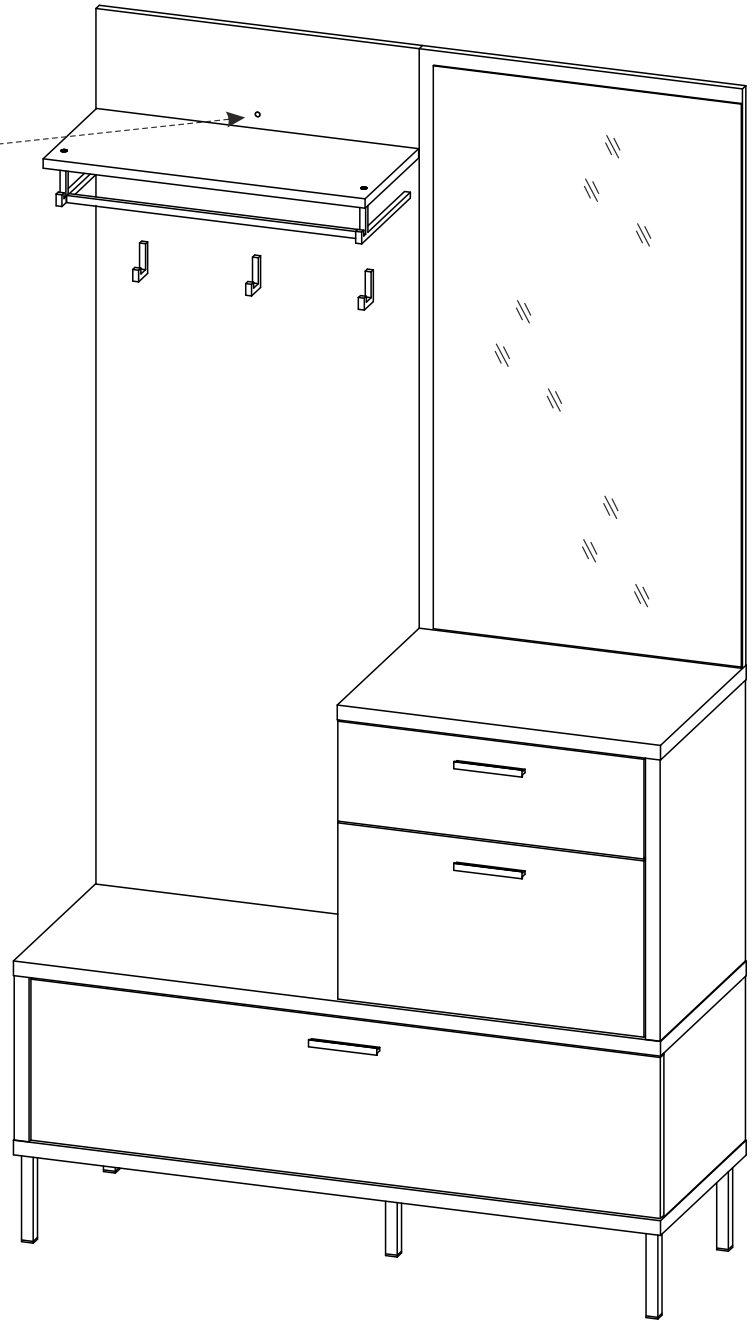
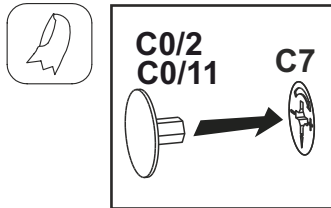
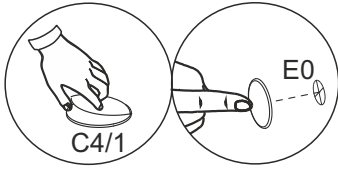


25 ▶



26 ▶

		
C0/2 x14	C0/11 x8	C4/1 x1



27▶

