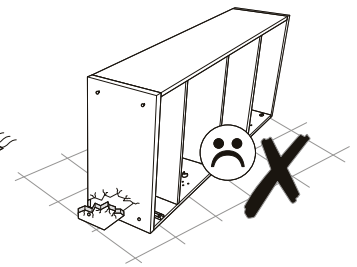
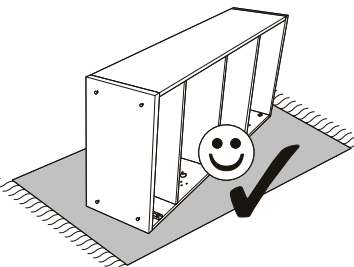
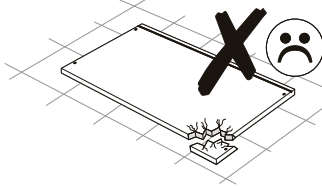
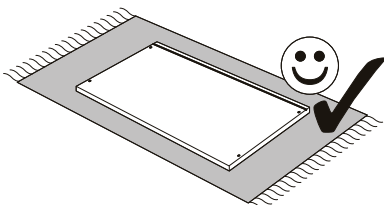
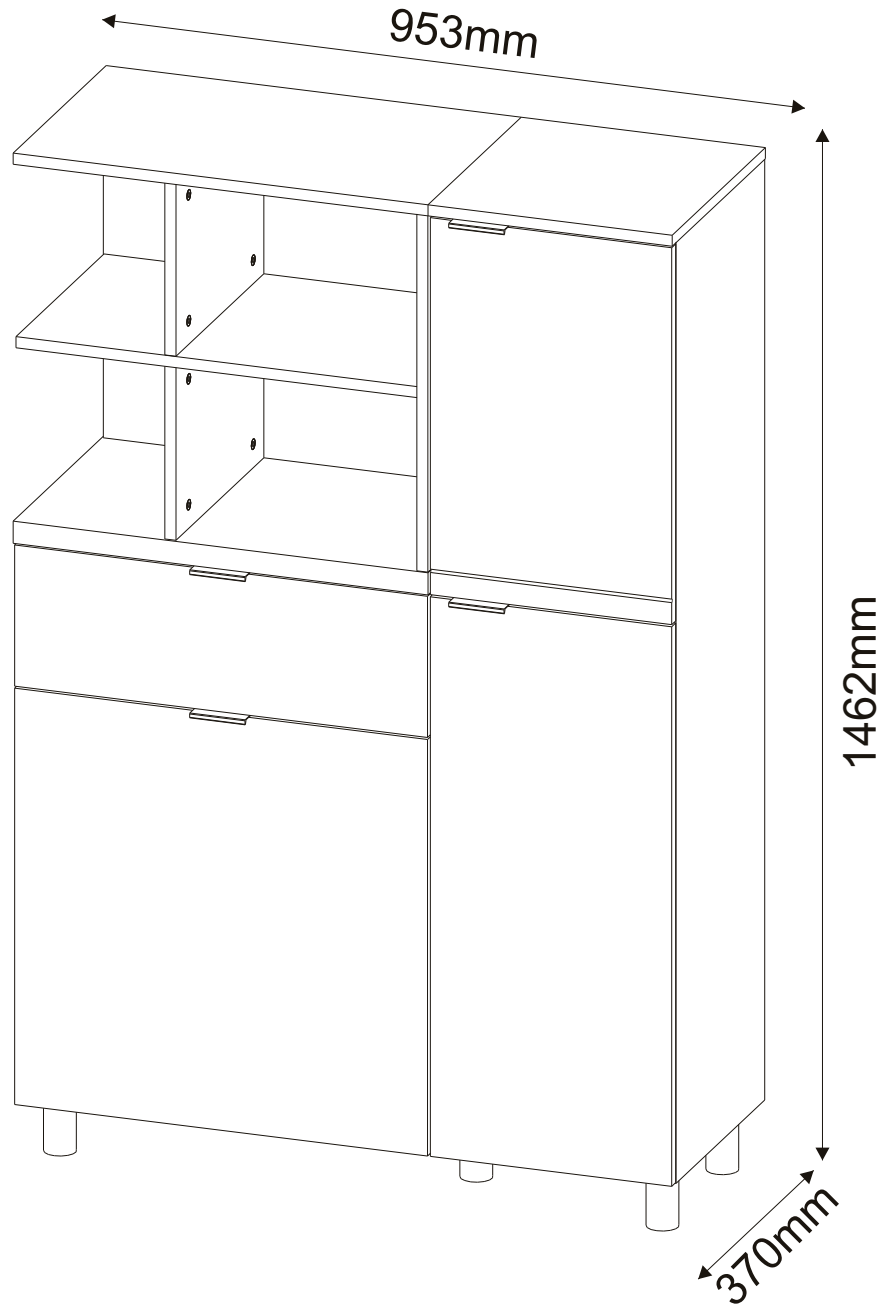
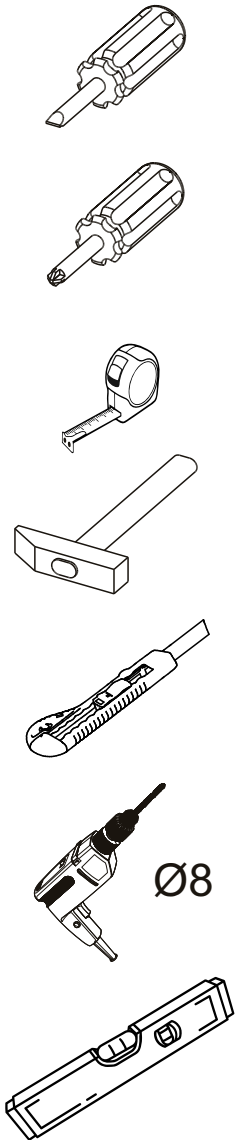
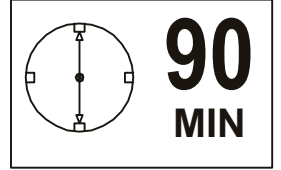
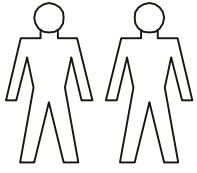
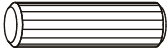




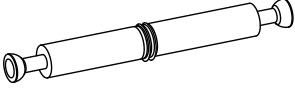




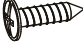
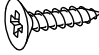


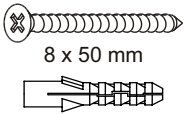
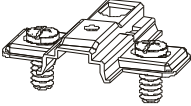
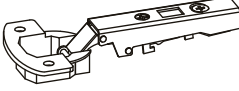
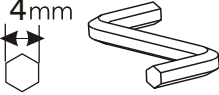


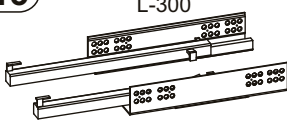
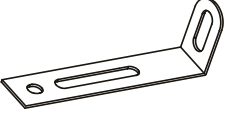
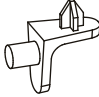
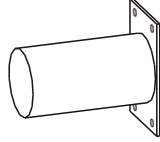

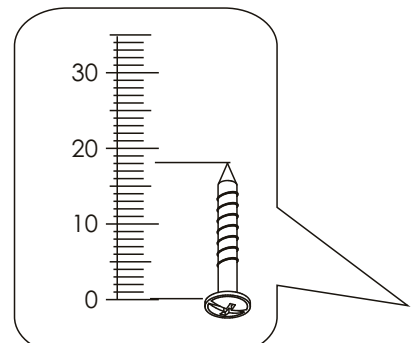
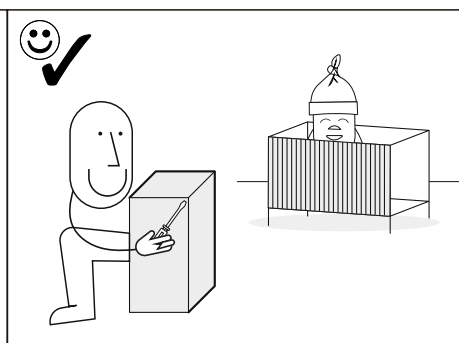
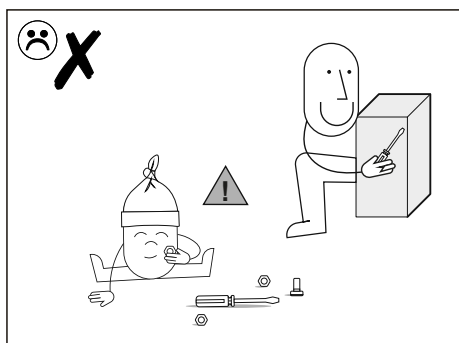
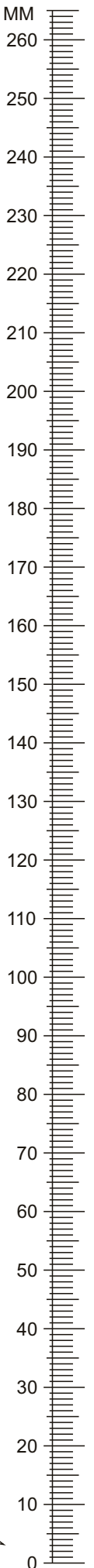


TINO Highboard Typ 3T1L

00030137/02




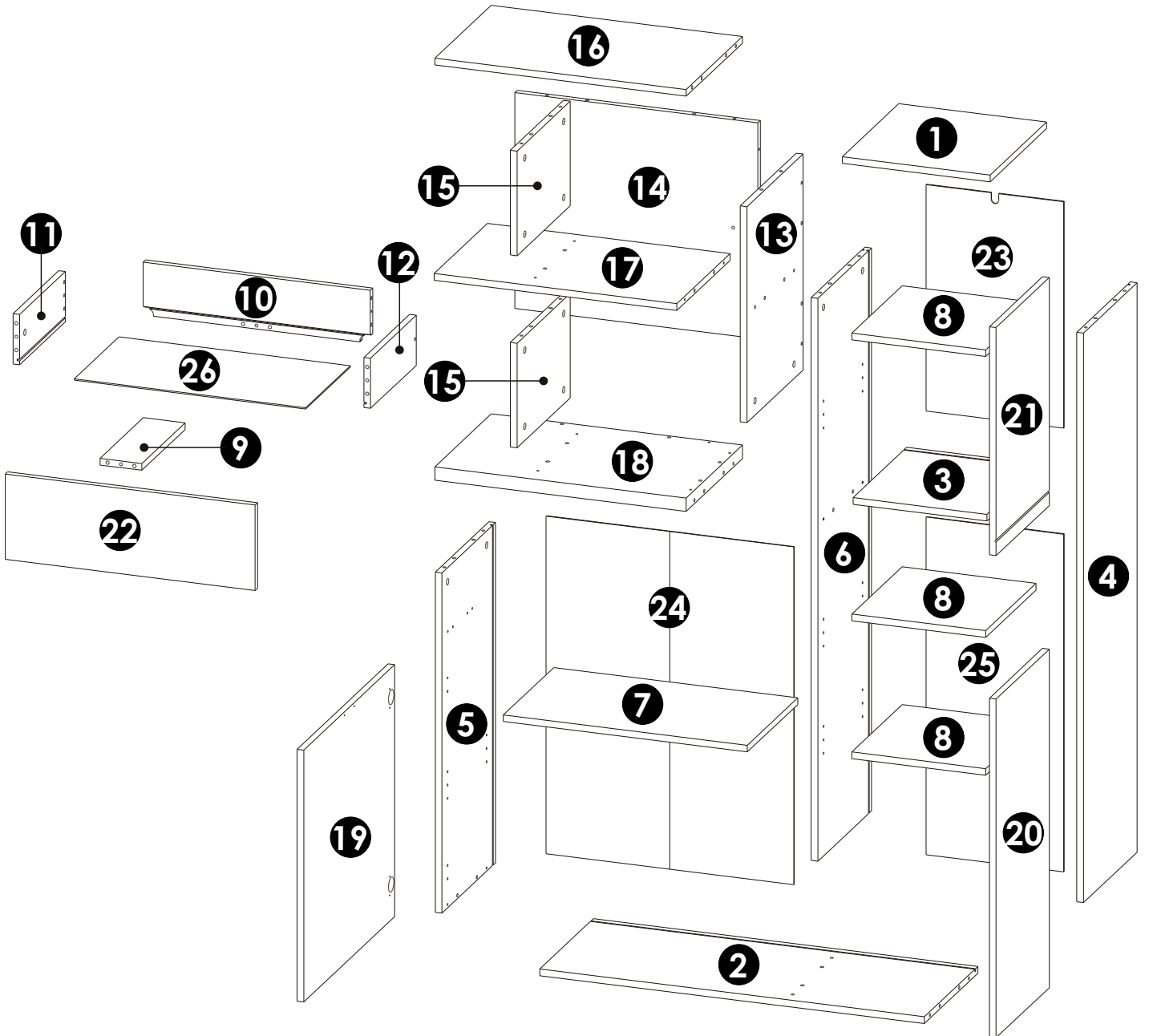
A0 8 x 30mm x50 	A1 8 x 50mm x2 	B1 7x 50 mm x11 
C0 x14 	C2 x25 	C5 x2 
C6 x8 	C7 16mm x37 	D0 3 x 15 mm x36 
D4 3,5 x 17 mm x20 	D8 4.2 x 13 mm x1 	D10 4 x 16 mm x12 
D21 5 x 13 mm x1 	D31 6.3 x 13 mm x8 	E0 5 x 50 mm 8 x 50 mm x1 
J3 x6 	J10 x6 	K 4mm x1 
L3 x4 	M1 x28 	N13 L-300 x1 
P0 x1 	Q3 x16 	T33 x5 
LOGO... x1 		

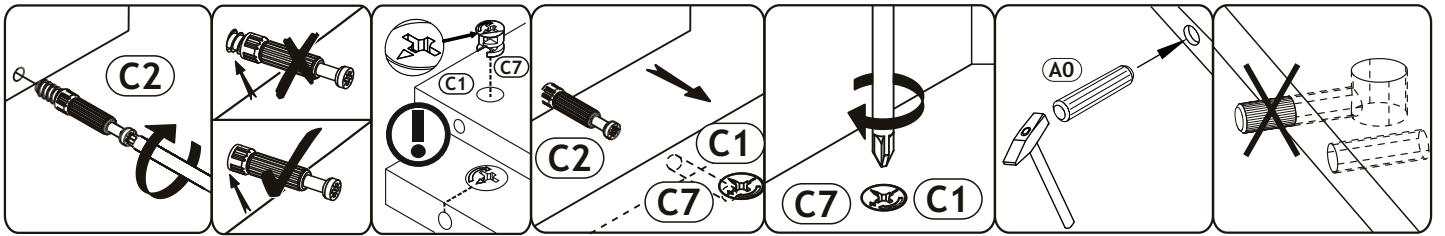


1	353	370	16	x1	1/4
2	919	352	16	x1	1/4
3	320	352	16	x1	1/4
4	1361	352	16	x1	1/4
5	813	352	16	x1	1/4
6	1345	352	16	x1	1/4
7	583	331	16	x1	1/4
8	320	331	16	x3	1/4
9	284	100	16	x1	2/4
10	543	126	16	x1	2/4

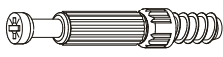



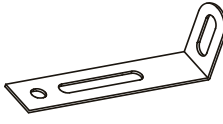
11	300	120	16	x1	2/4
12	300	120	16	x1	2/4
13	516	368	16	x1	2/4
14	516	581	16	x1	2/4
15	250	349	16	x2	2/4
16	600	370	16	x1	2/4
17	580	350	16	x1	2/4
18	600	370	32	x1	2/4
19	597	602	16	x1	2/4
20	349	809	16	x1	3/4

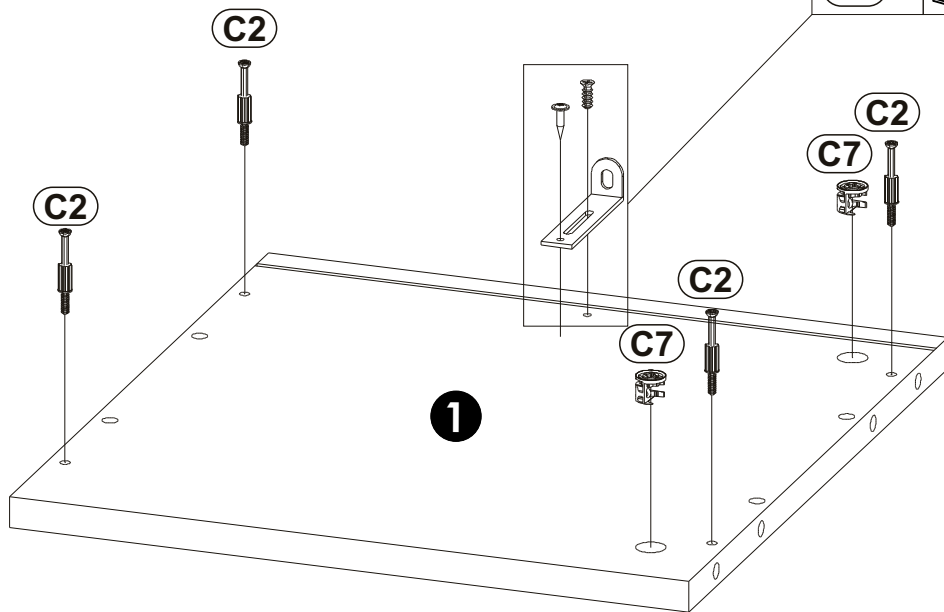
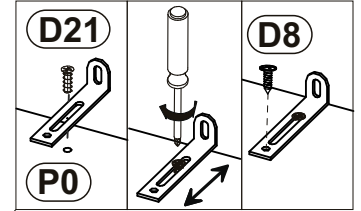
21	349	545	16	x1	3/4
22	597	204	16	x1	2/4
23	541	329	3	x1	3/4
24	807	592	3	x1	3/4
25	807	329	3	x1	3/4
26	553	294	3	x1	3/4
					4/4







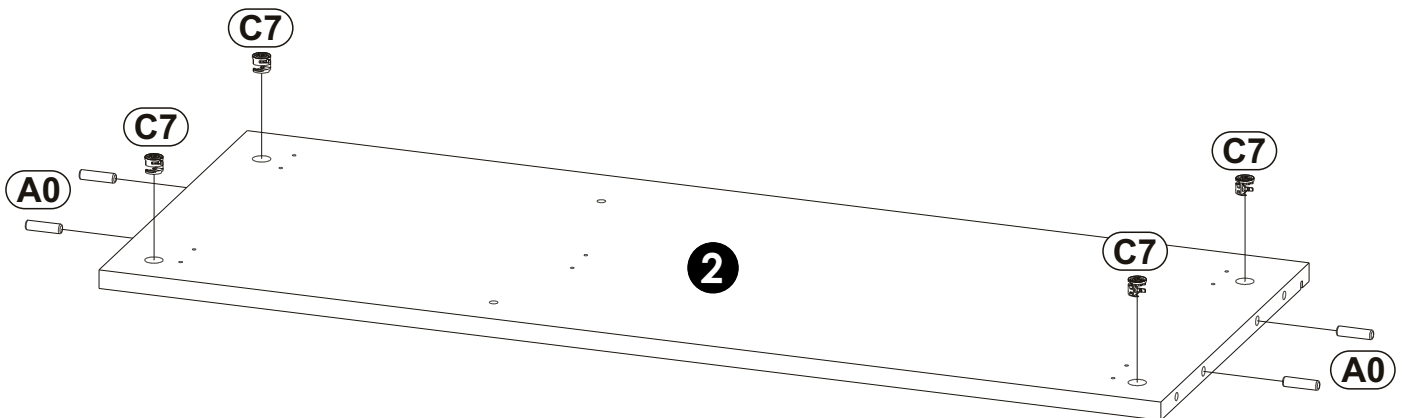
1

(C2)  x4	(C7) 16mm  x2	(D8) 4.2 x 13 mm  x1
(D21) 5 x 13 mm  x1	(P0)  x1	



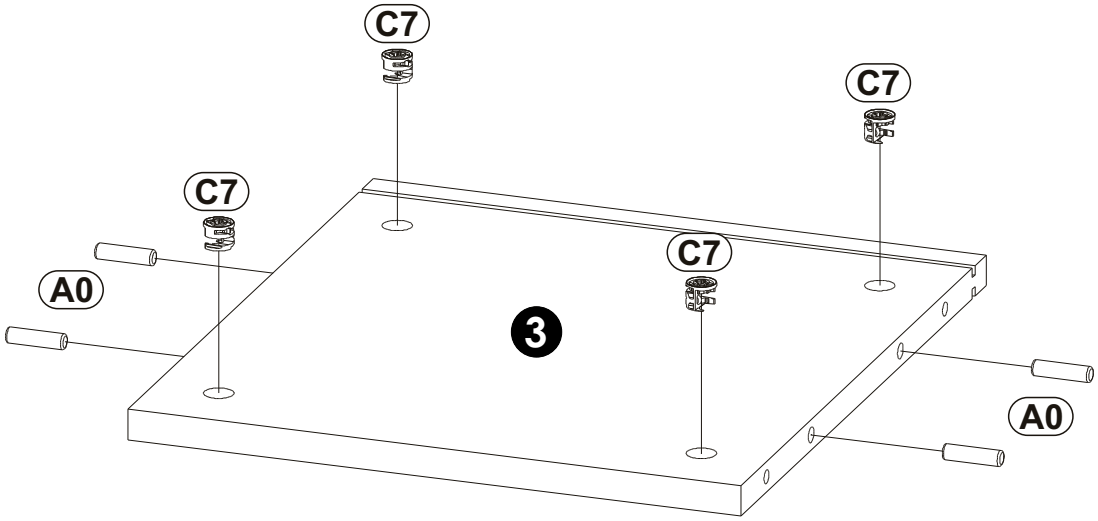
2

(A0) 8 x 30mm  x4	(C7) 16mm  x4
--	--



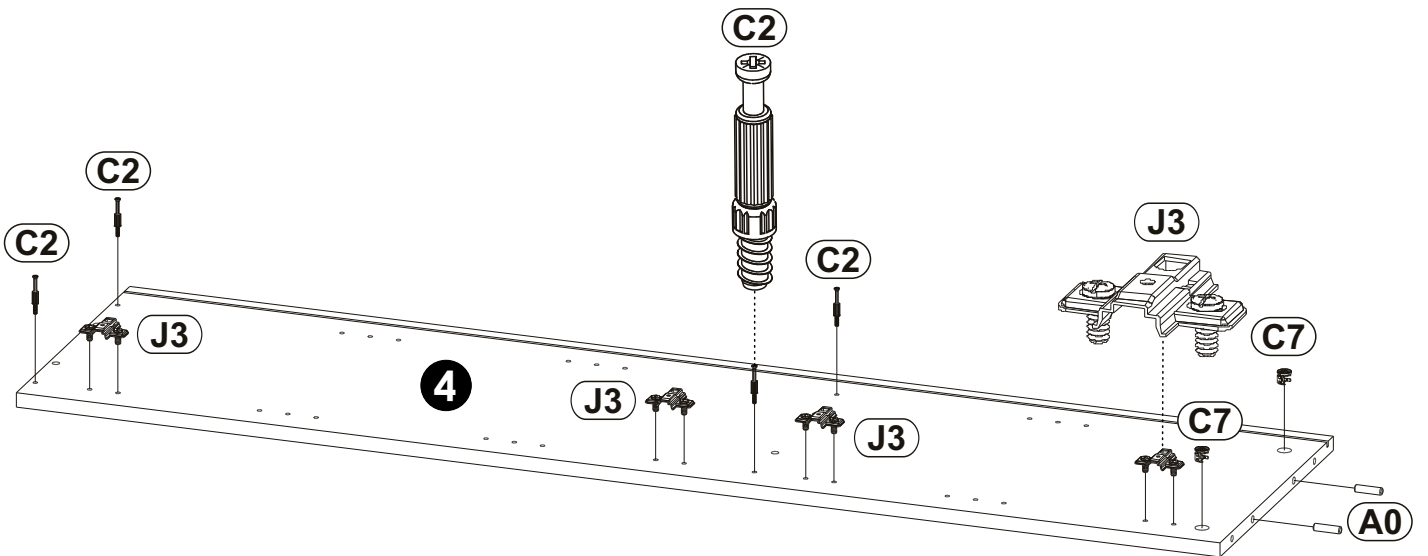
3

A0	8 x 30mm	x4	C7	16mm	x4
-----------	----------	-----------	-----------	------	-----------



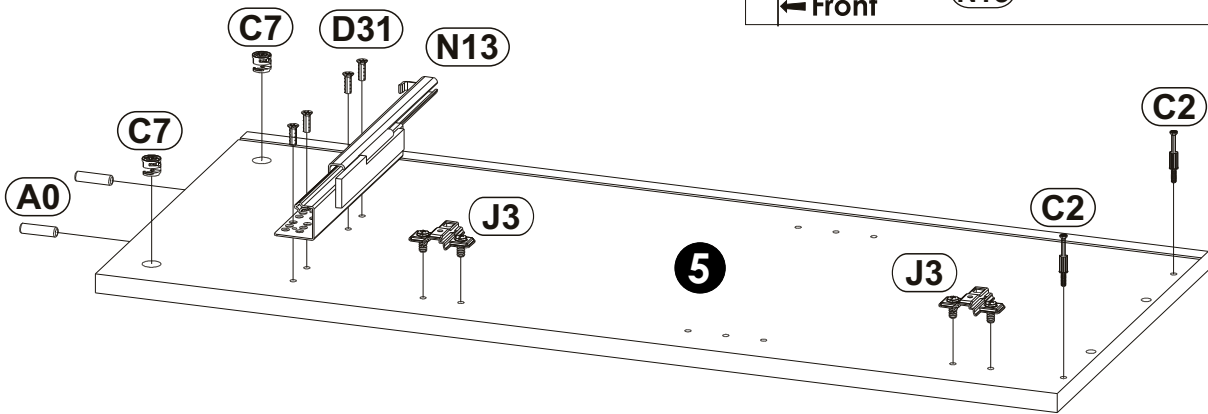
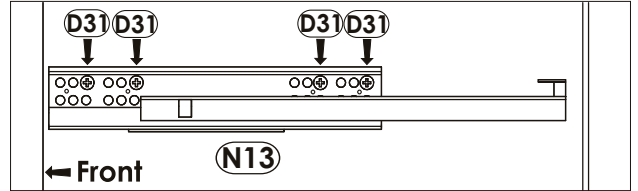
4

A0	8 x 30mm	x2	C2		x4	C7	16mm	x2
J3		x4						



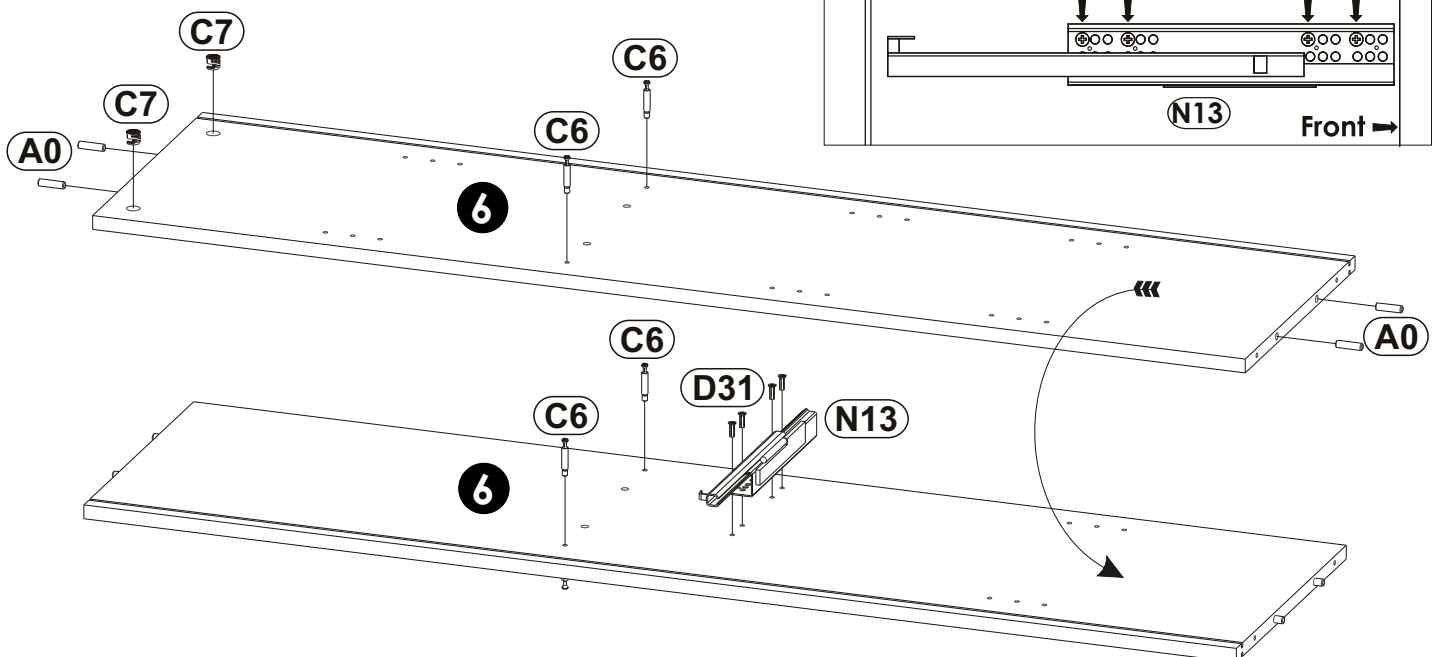
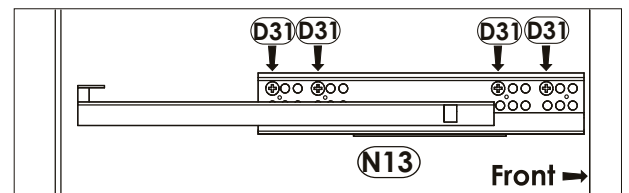
5

A0	8 x 30mm	x2	C2		x2	C7	16mm	x2
D31	6.3 x 13 mm	x4	J3		x2	N13	L-300	x1





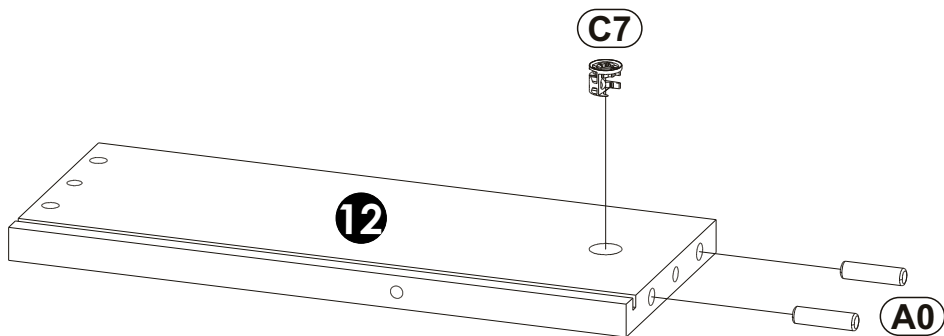
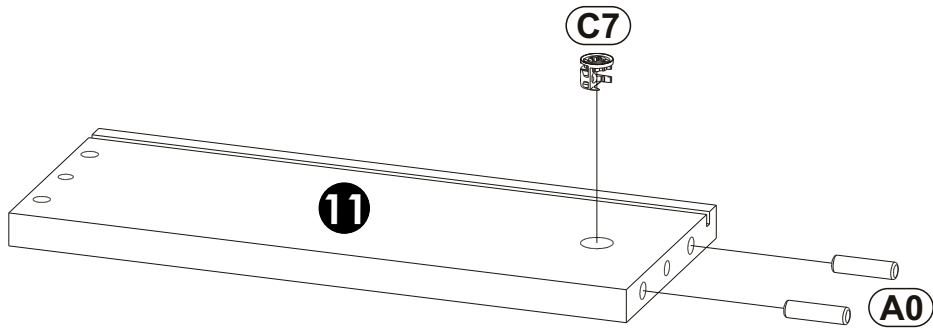
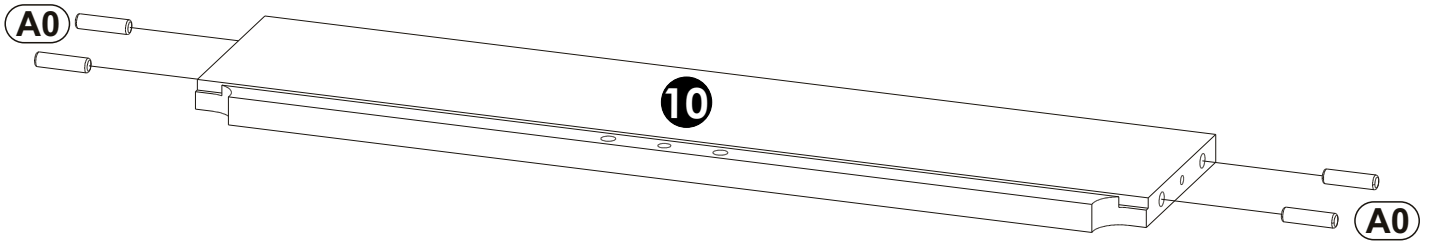
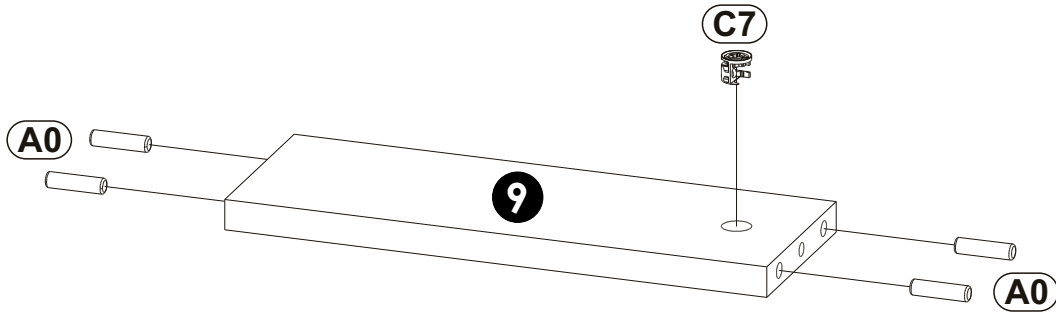
6

A0	8 x 30mm	x4	C6		x4	C7	16mm	x2
D31	6.3 x 13 mm	x4	N13		x1			

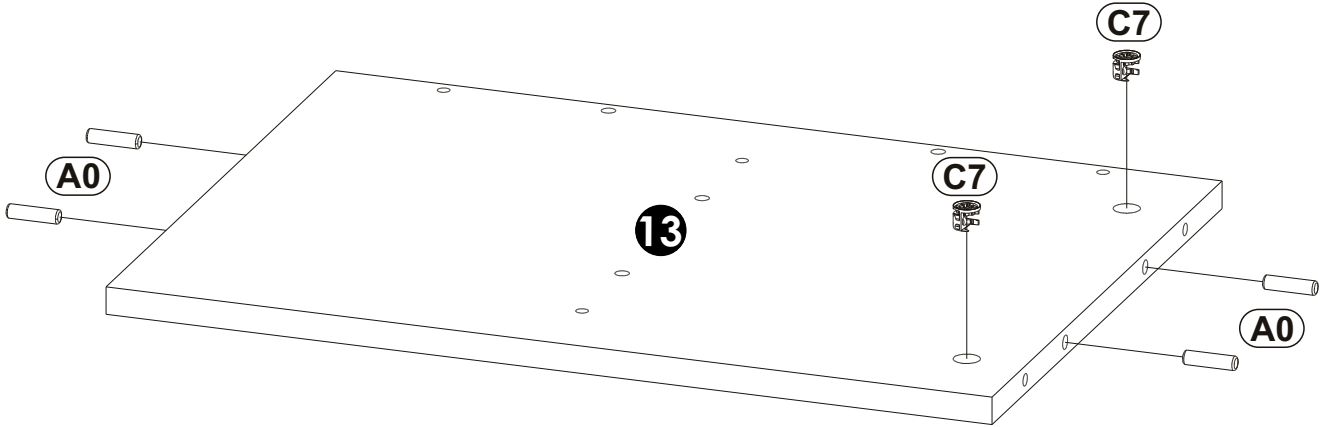
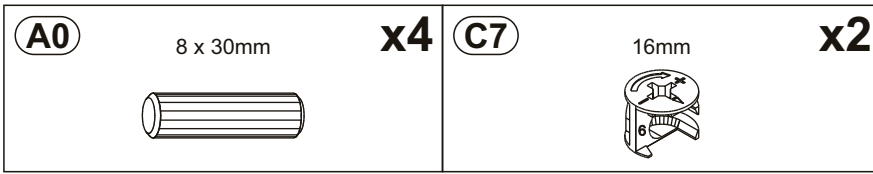


7

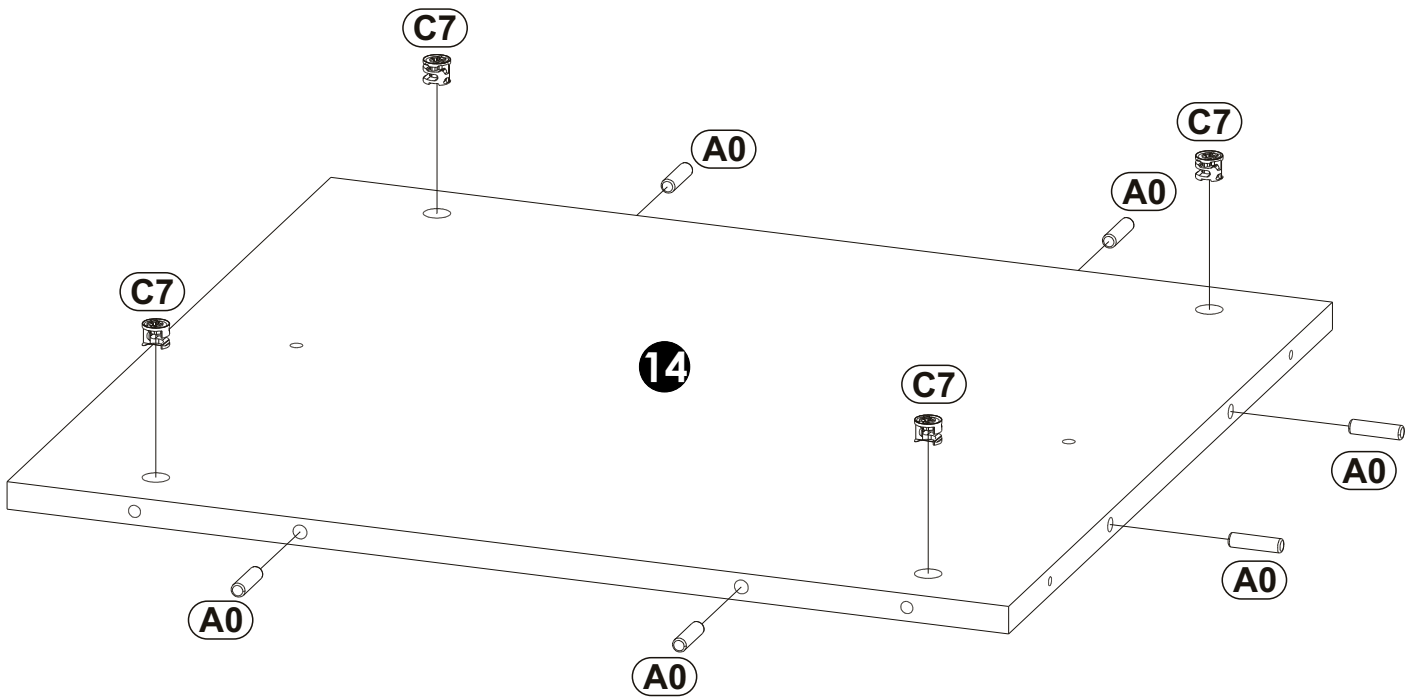
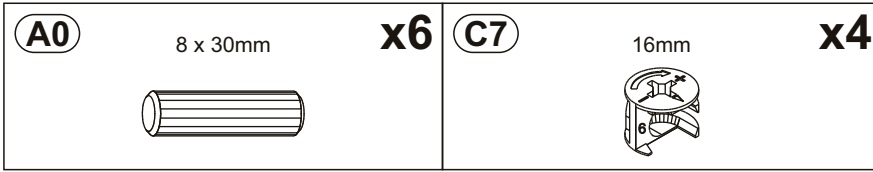
A0	8 x 30mm	x12	C7	16mm	x3
					



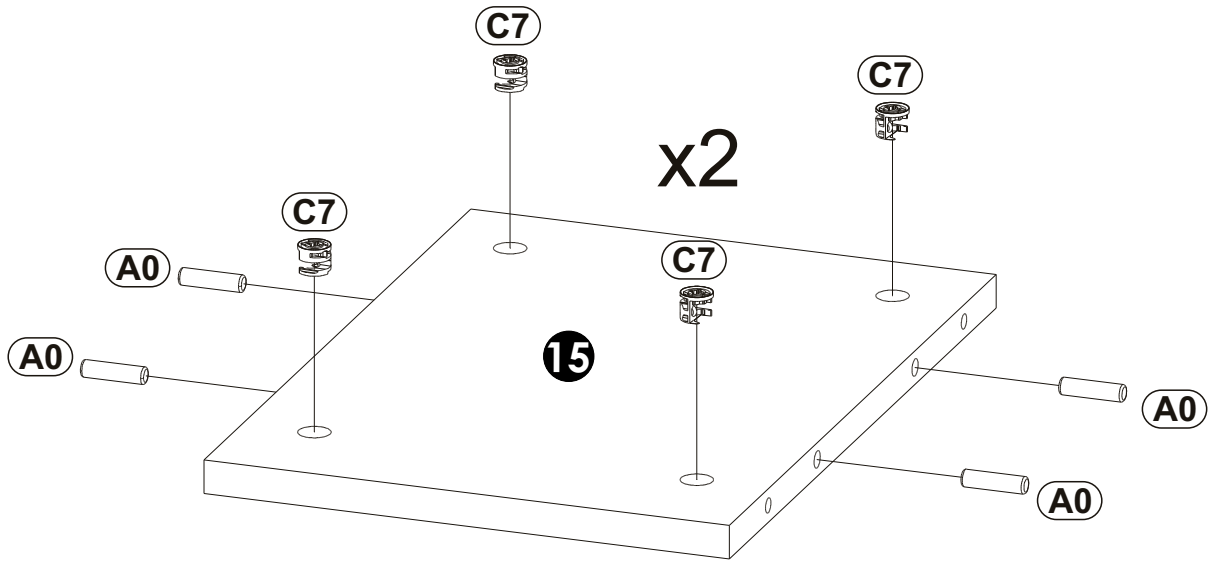
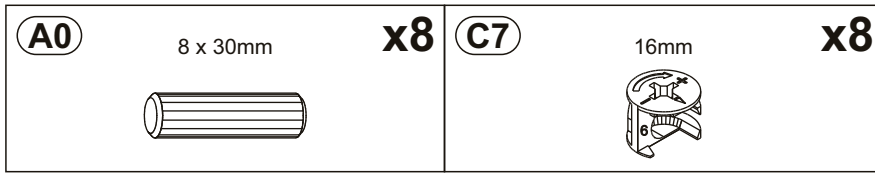
8



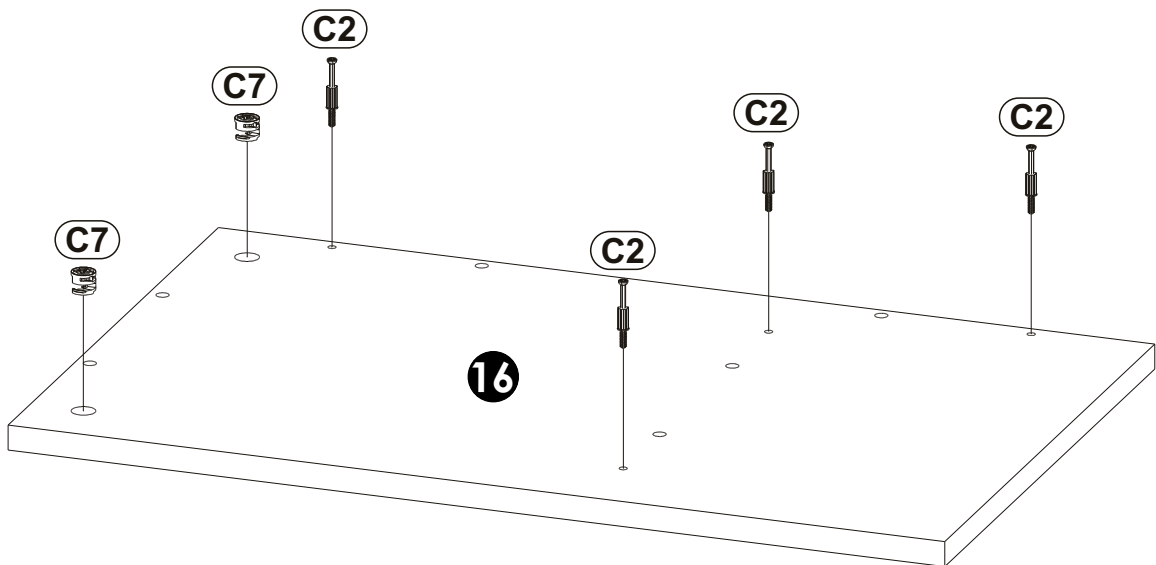
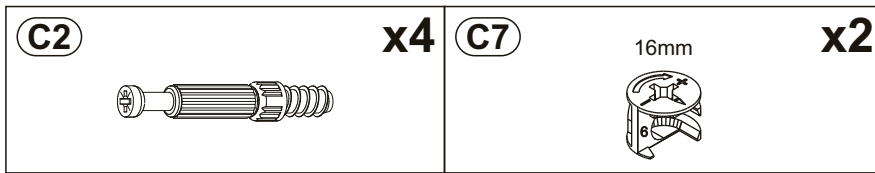
9



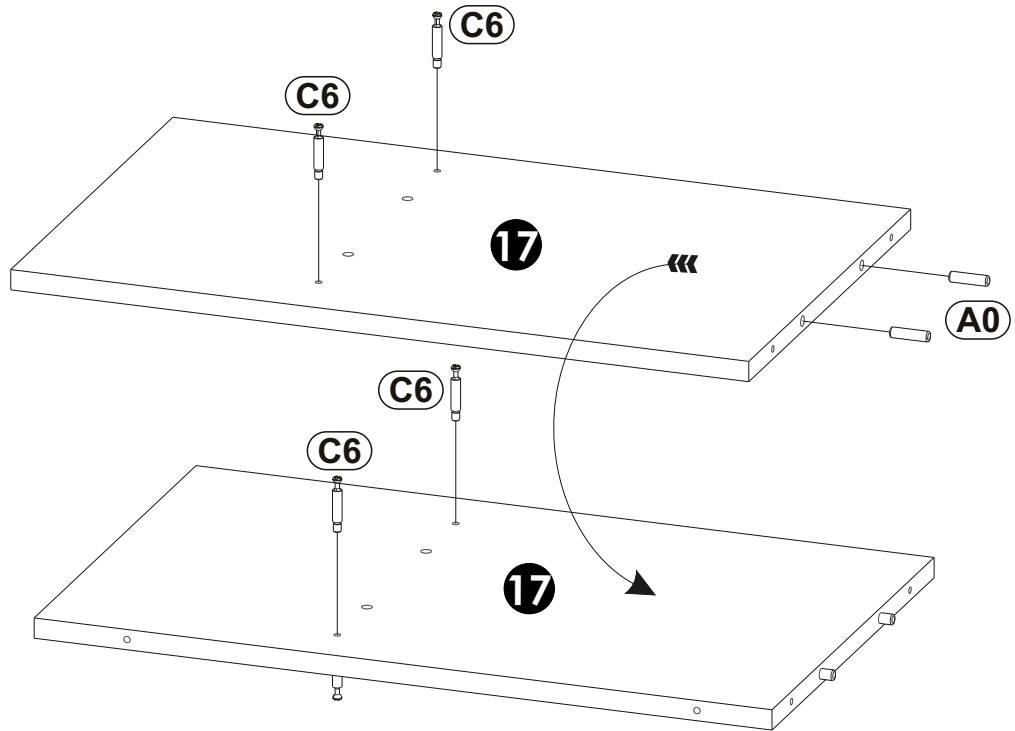
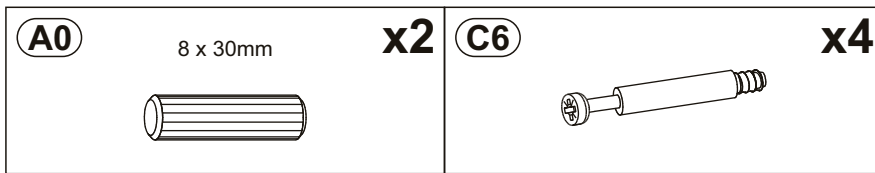
10



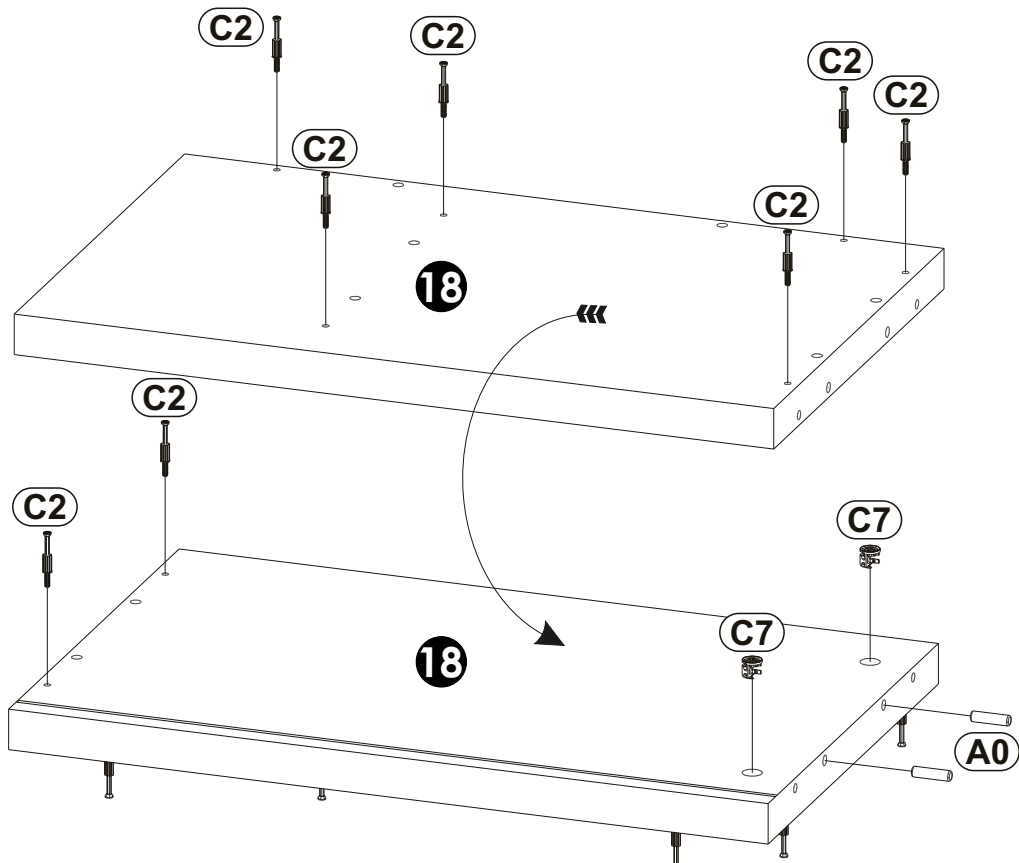
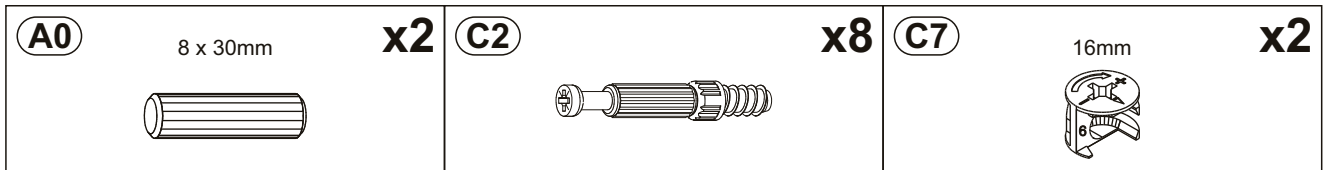
11




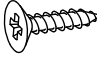
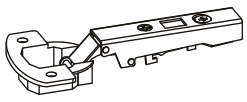

12

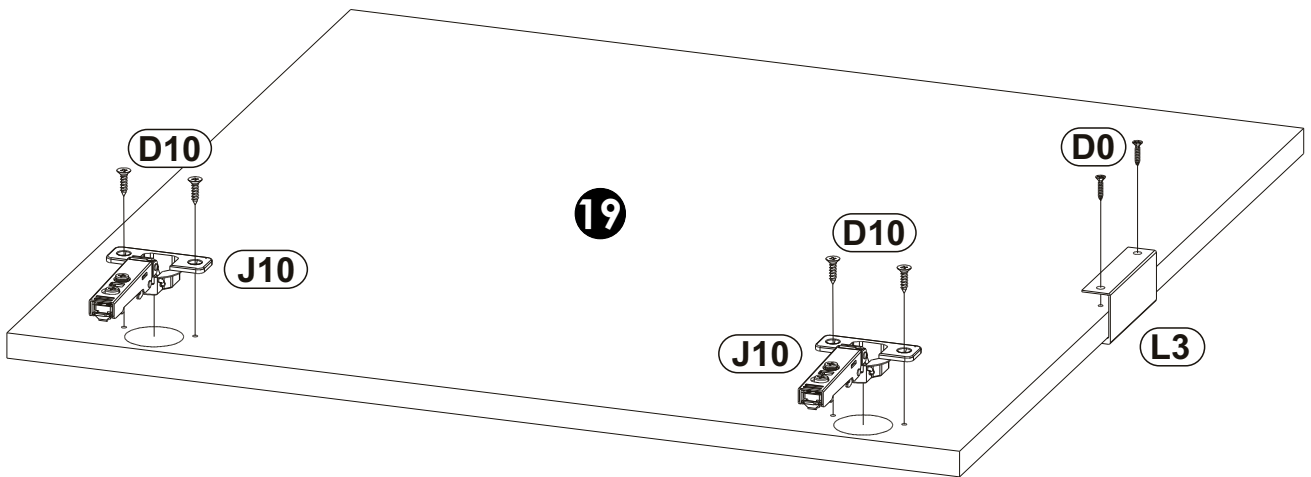


13


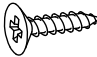
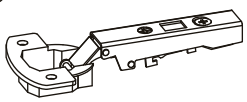



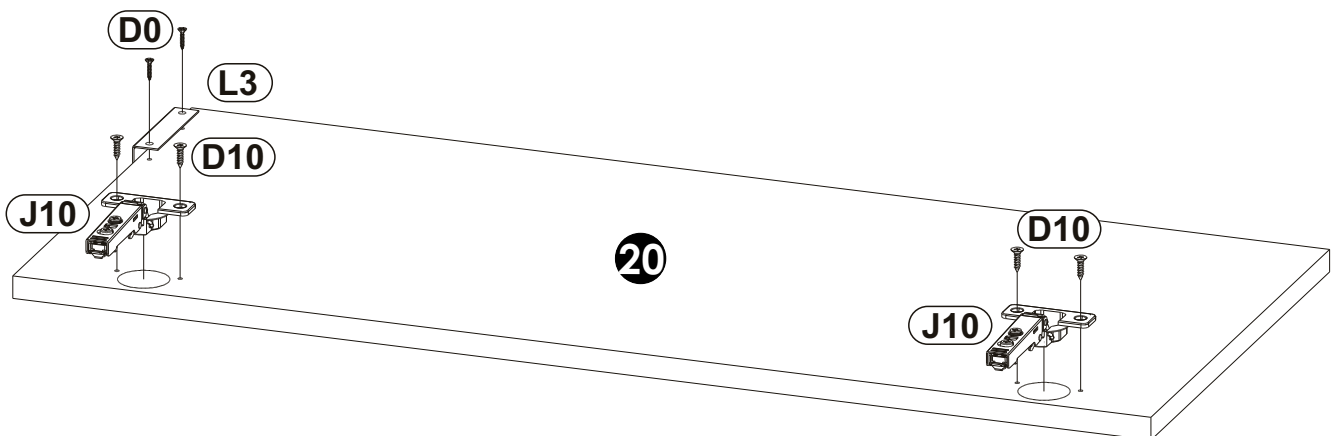
14

(D0) 3 x 15 mm 	x2	(D10) 4 x 16 mm 	x4	(J10) 	x2
(L3) 	x1				


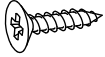
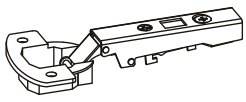



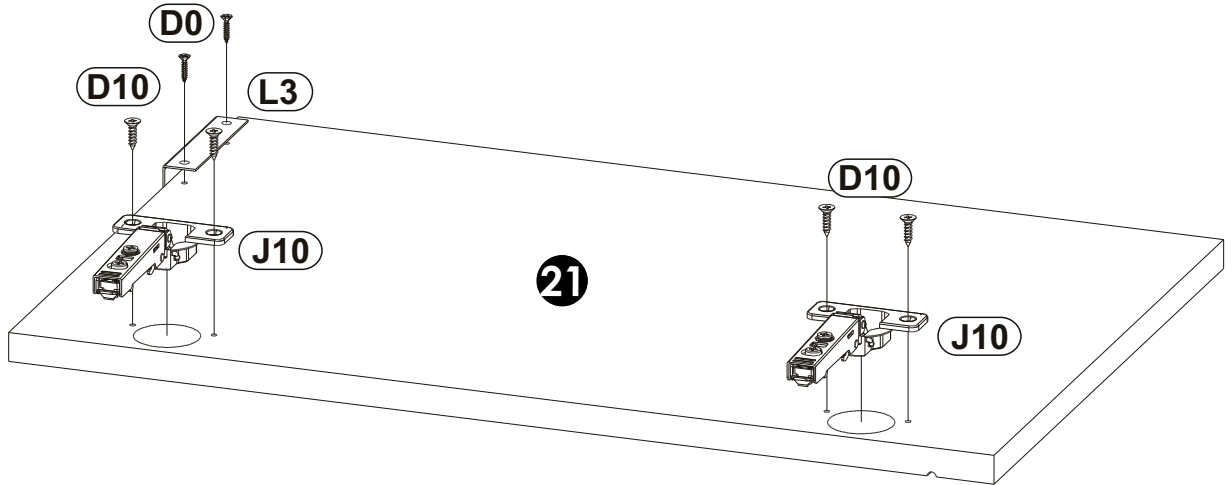
15

(D0) 3 x 15 mm 	x2	(D10) 4 x 16 mm 	x4	(J10) 	x2
(L3) 	x1				






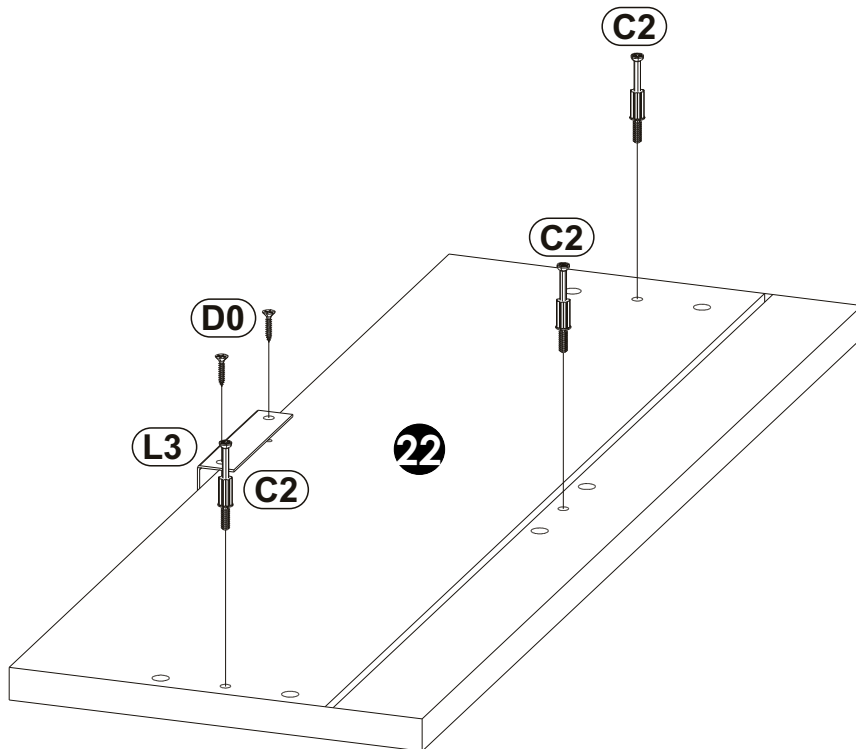
16

(D0) 3 x 15 mm 	x2	(D10) 4 x 16 mm 	x4	(J10) 	x2
(L3) 	x1				

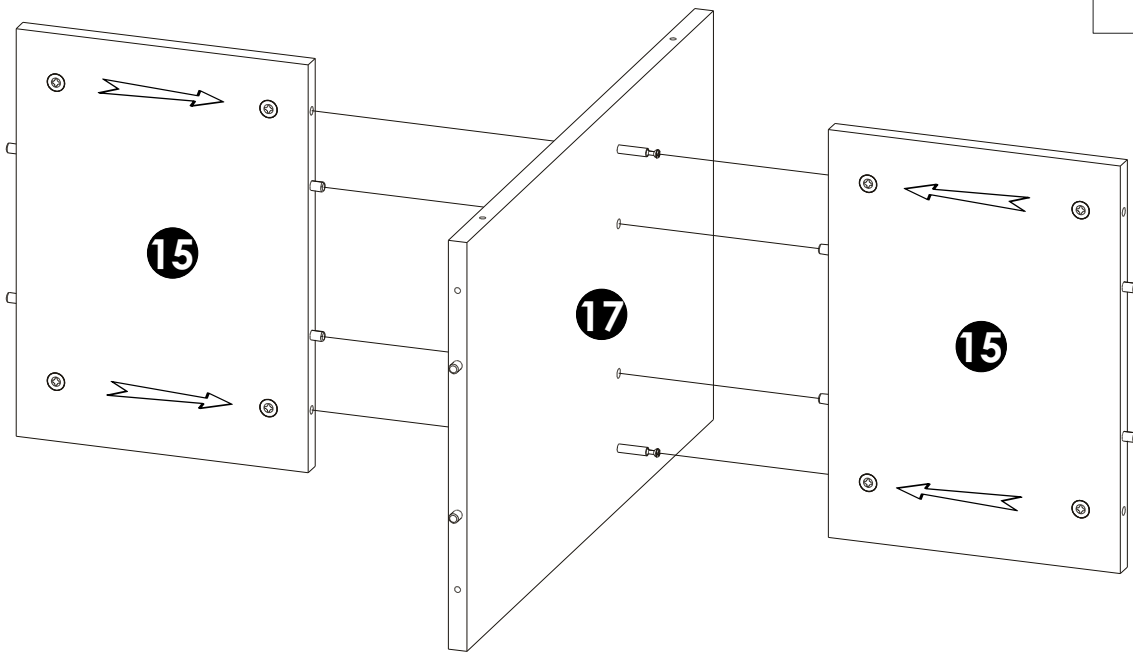
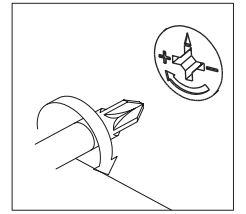


17

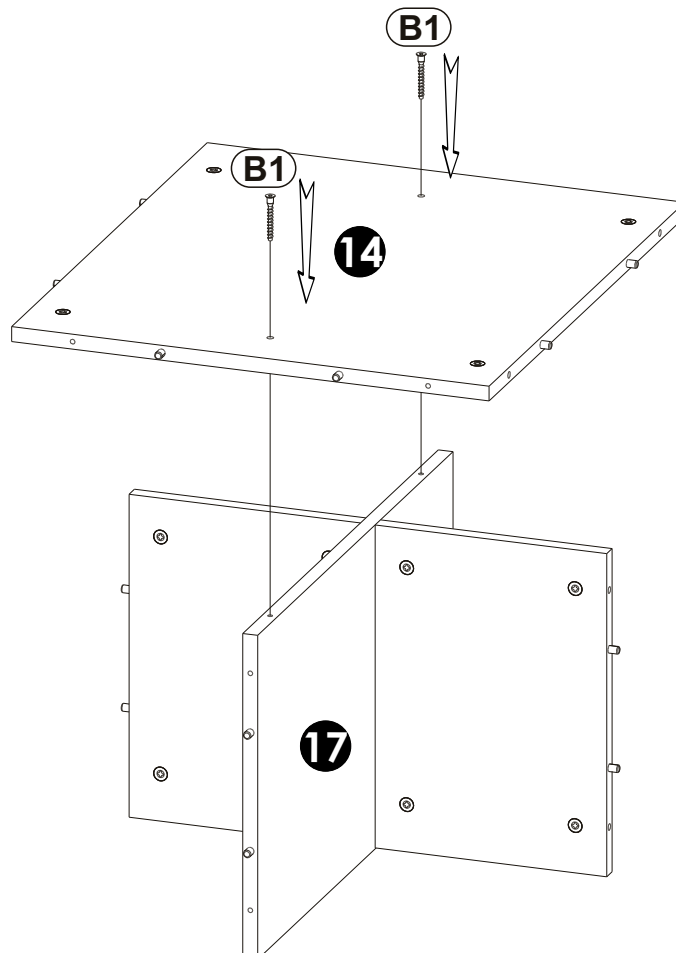
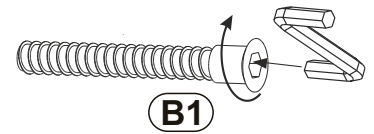
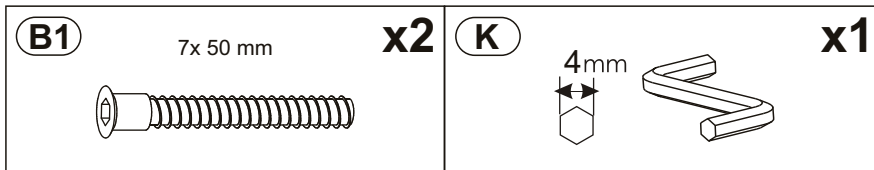
(C2) 	x3	(D0) 3 x 15 mm 	x2	(L3) 	x1
--	-----------	---	-----------	--	-----------



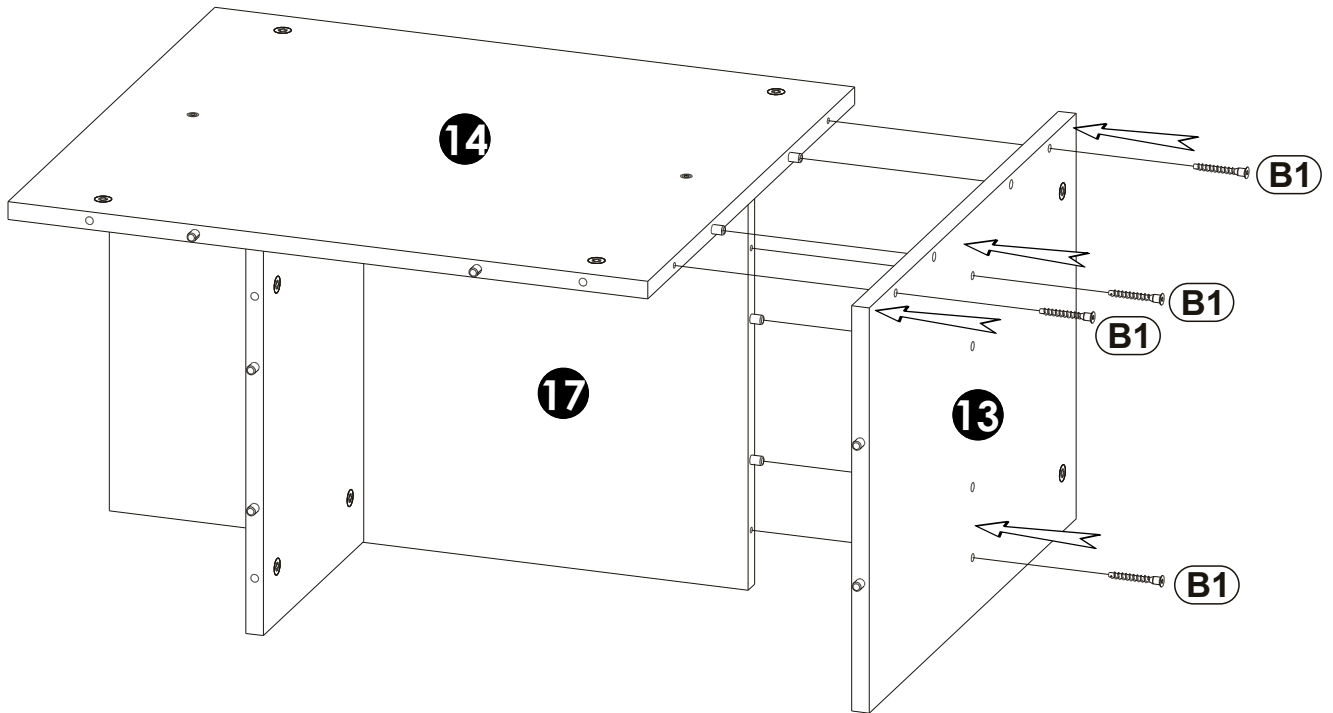
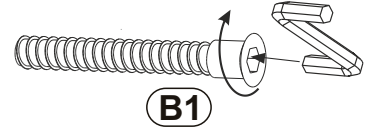
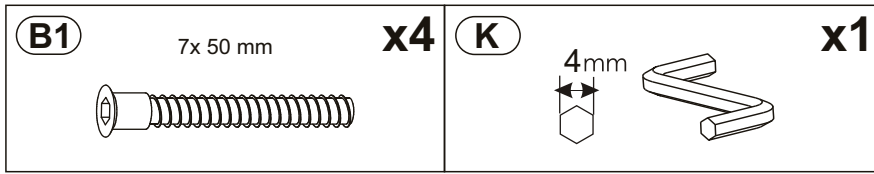
18



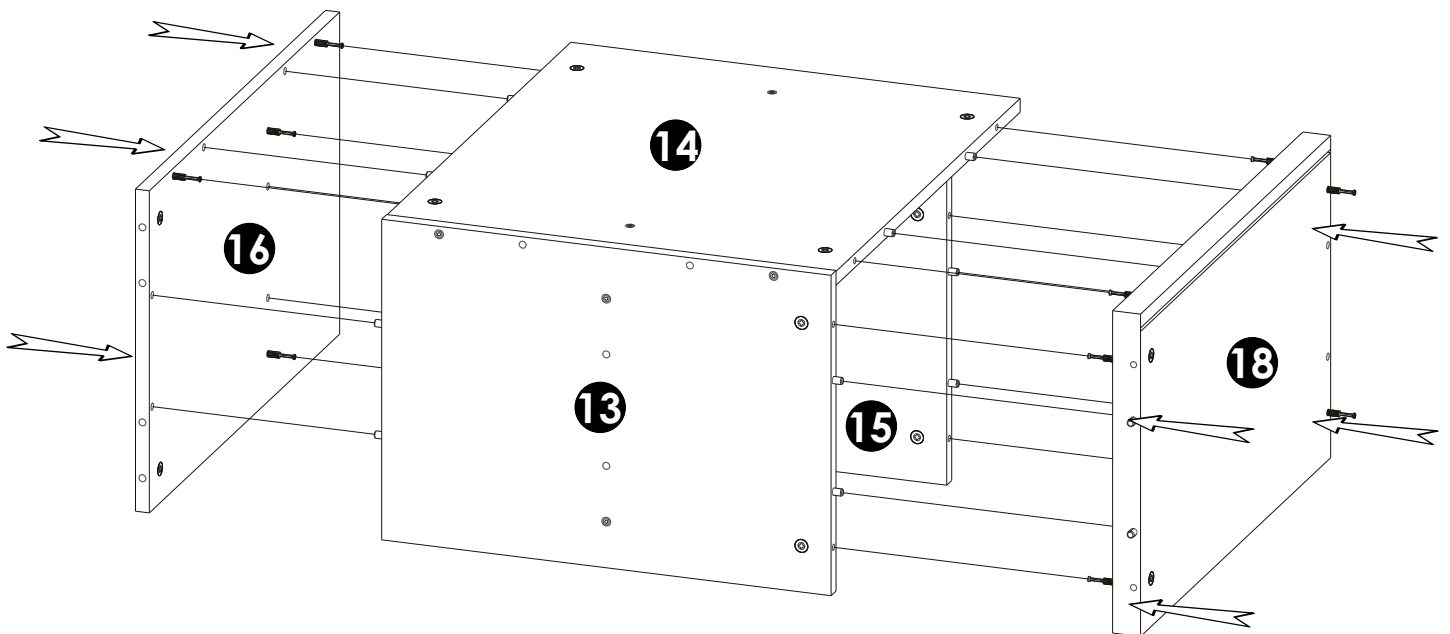
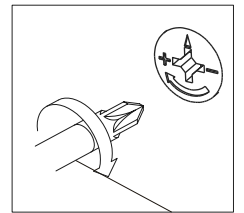
19



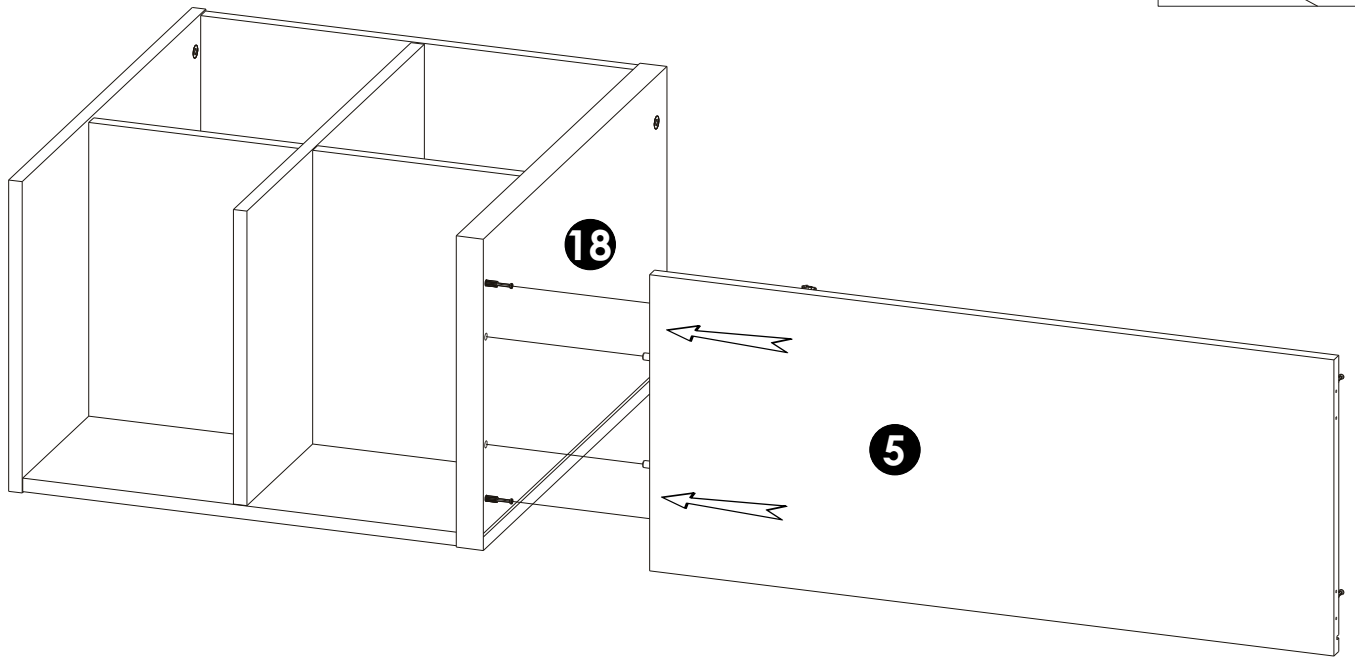
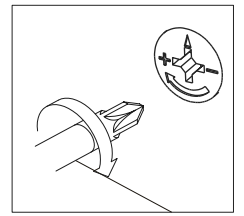
20



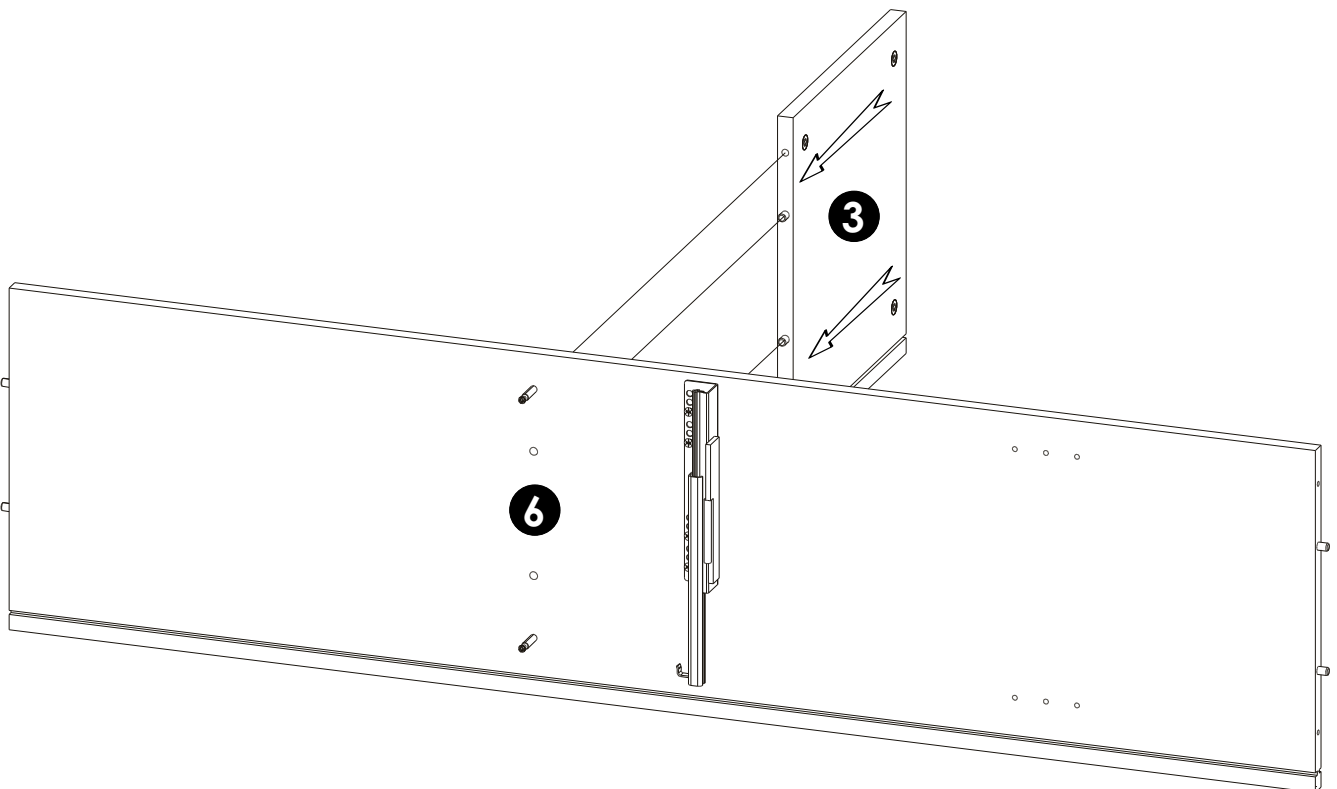
21



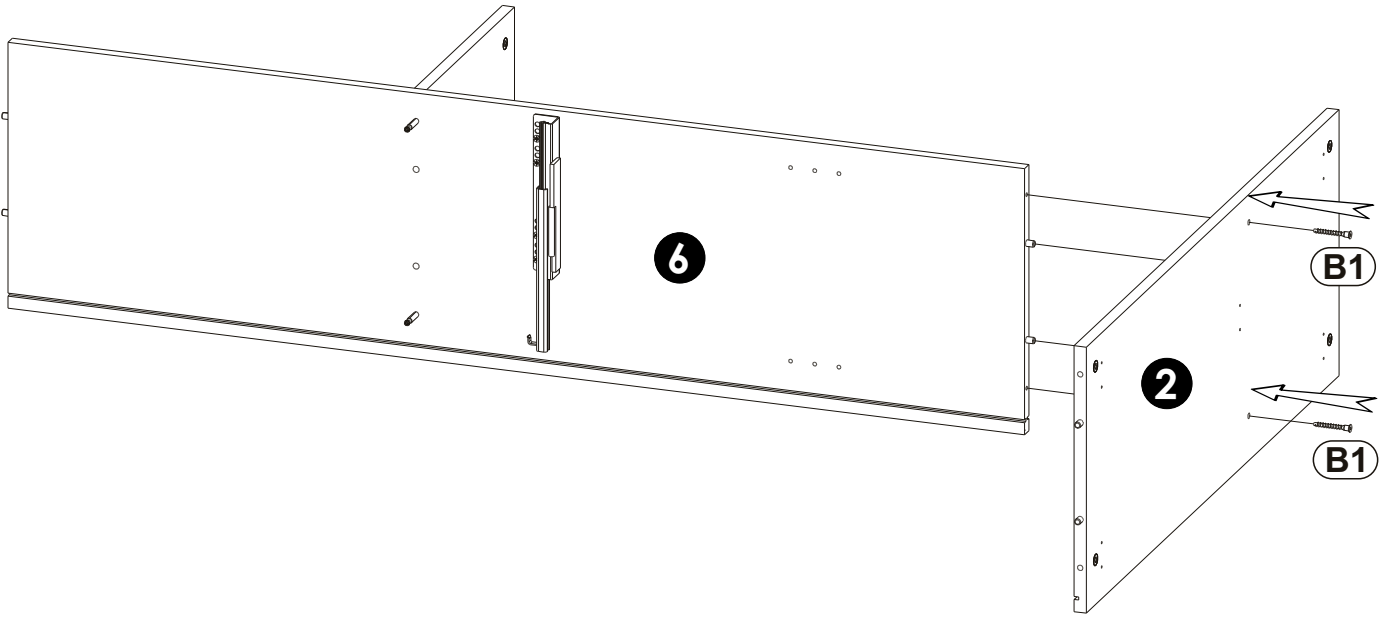
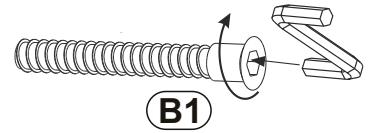
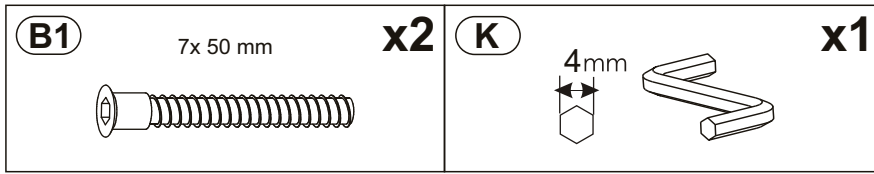
22



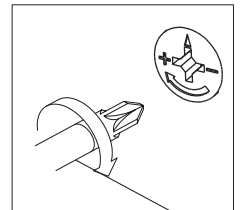
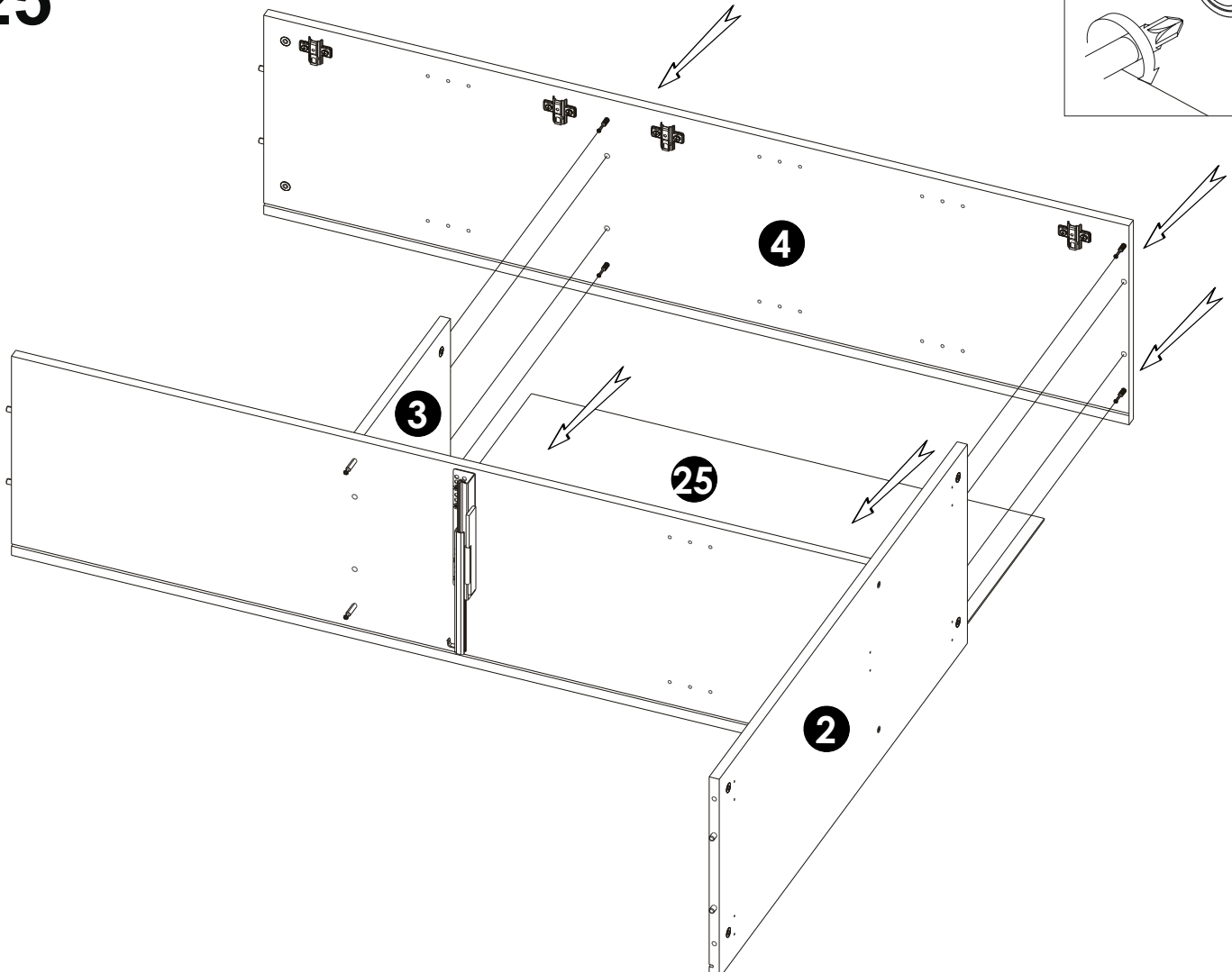
23



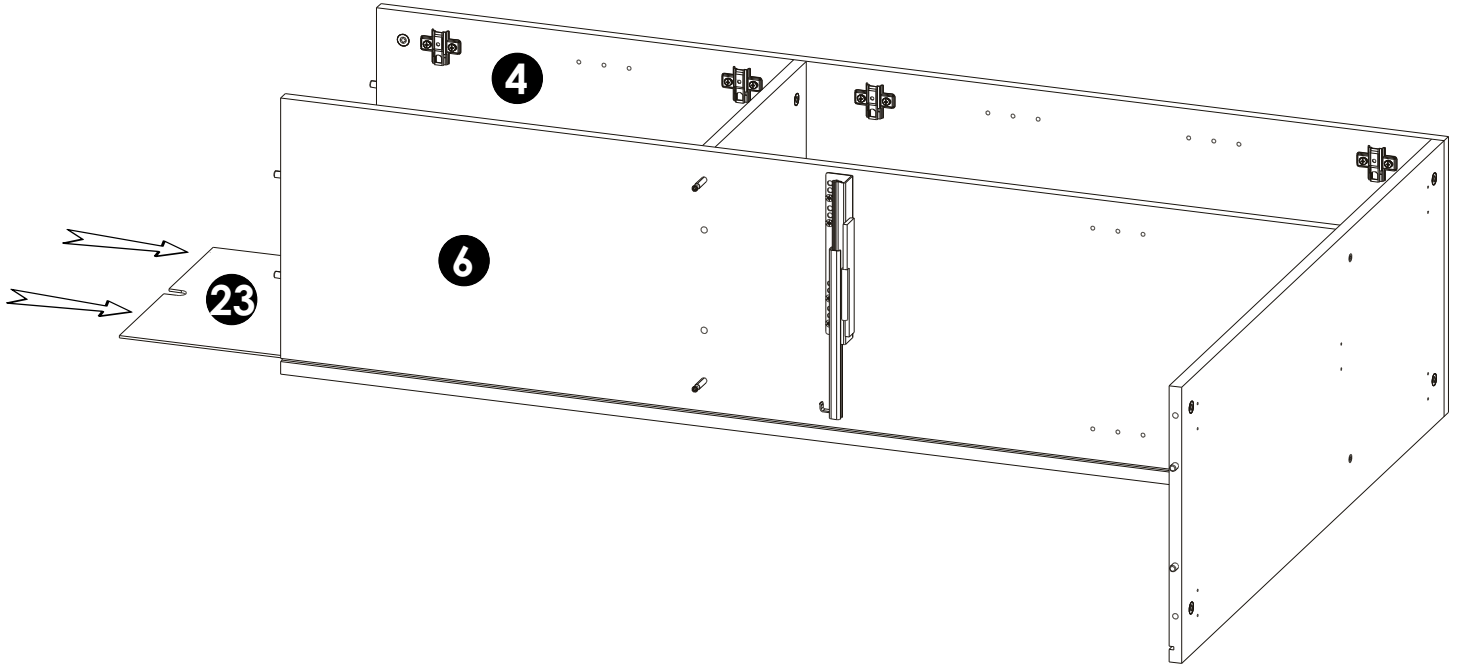
24



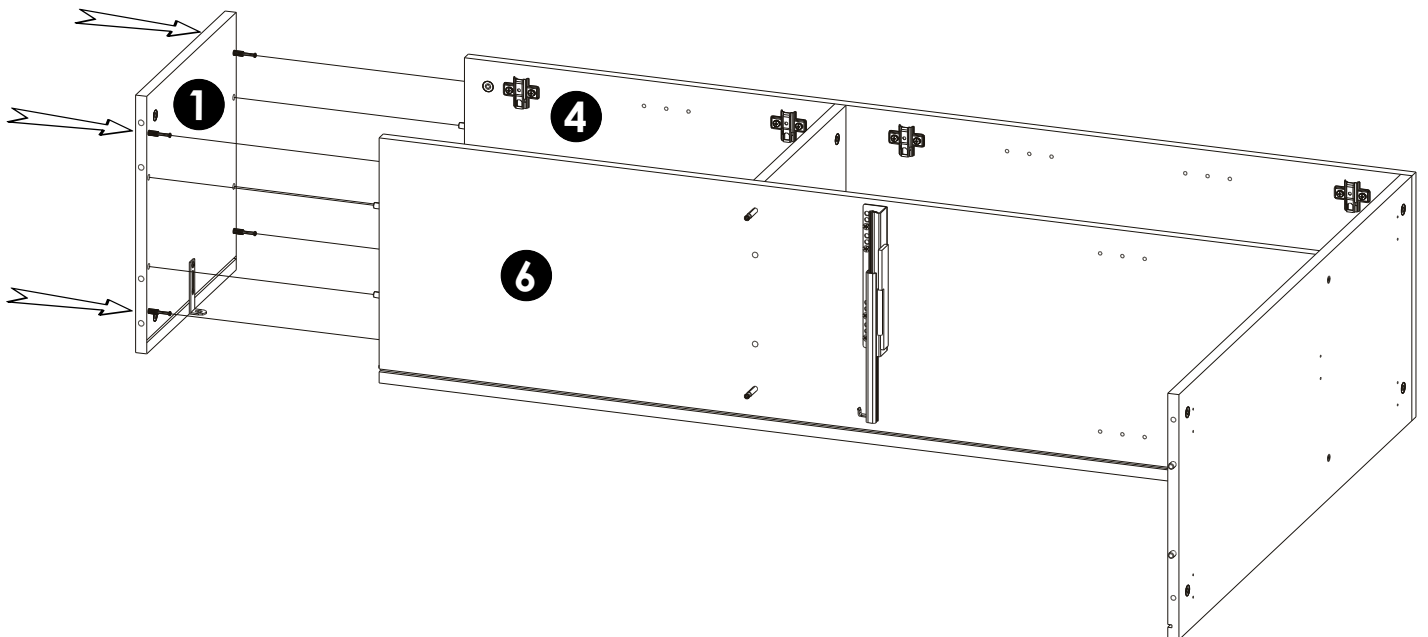
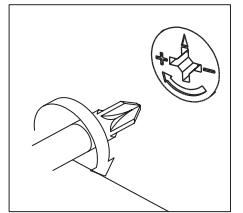
25




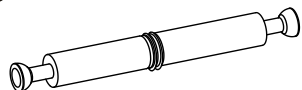
26

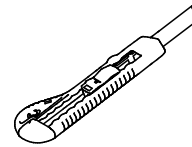



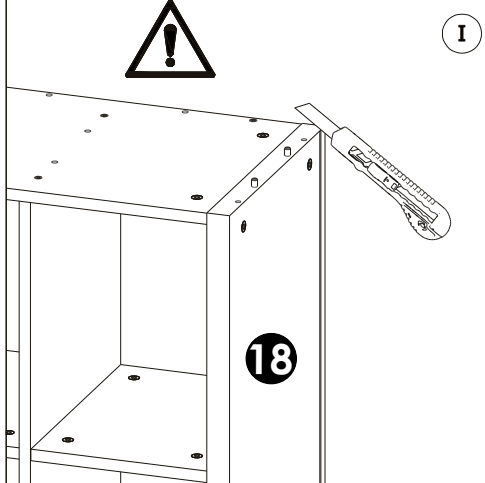
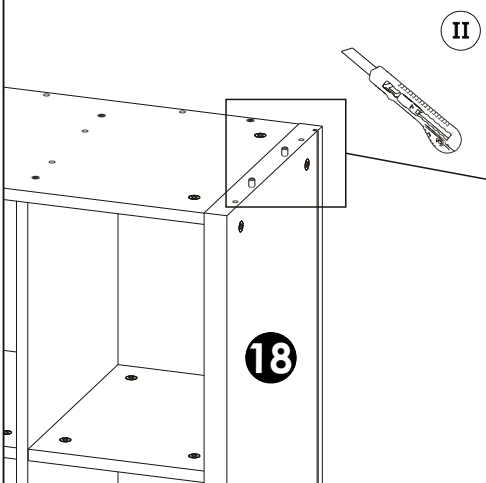


27

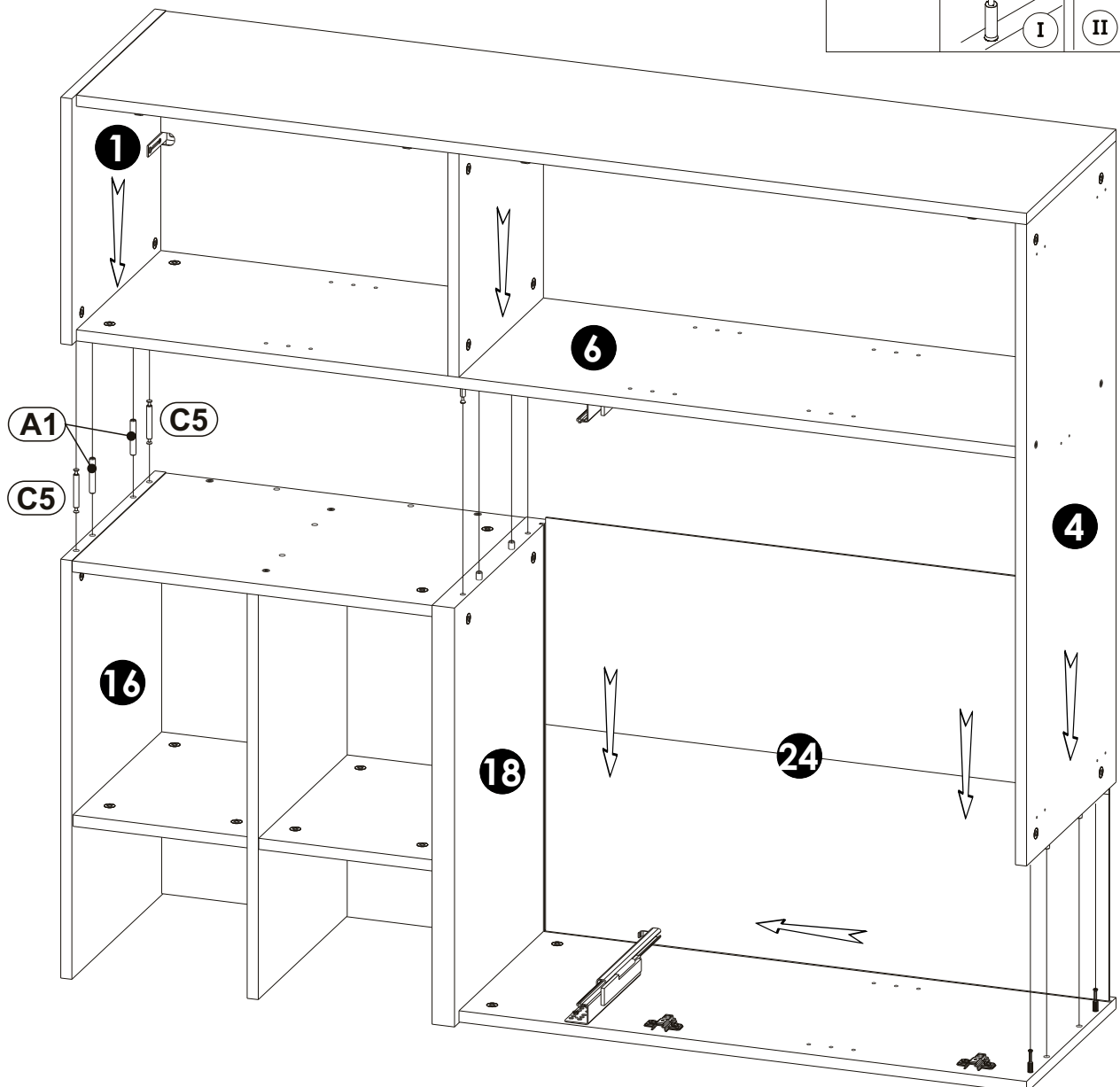
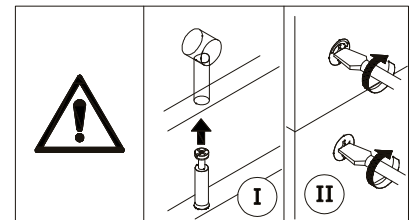
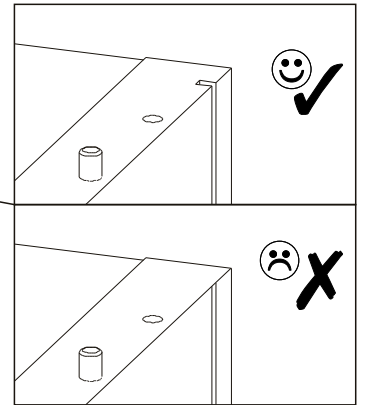


28



A1 8 x 50mm 	x2	C5 	x2
--	-----------	---	-----------

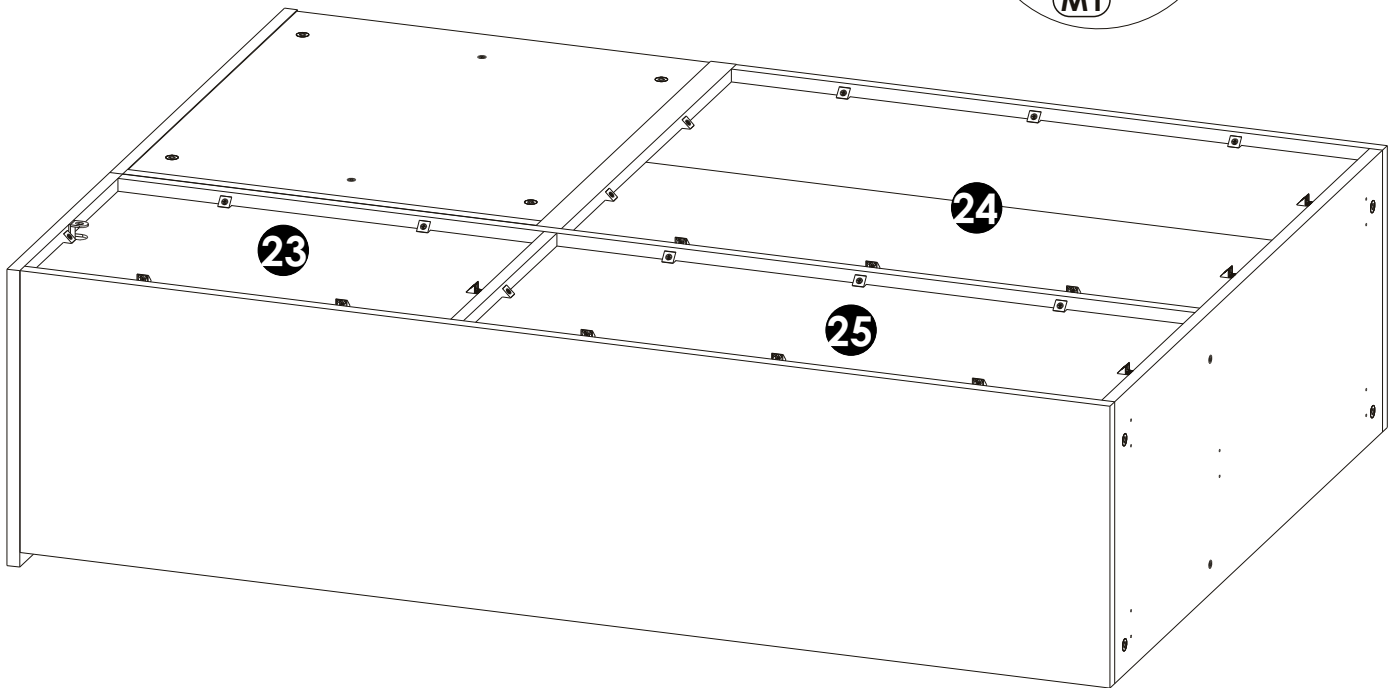
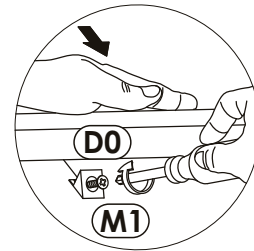
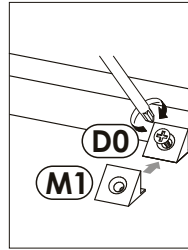
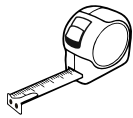
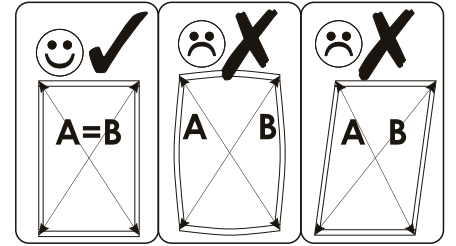


 I  18	 II 18
	 6mm

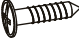
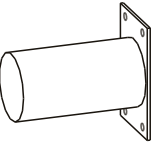


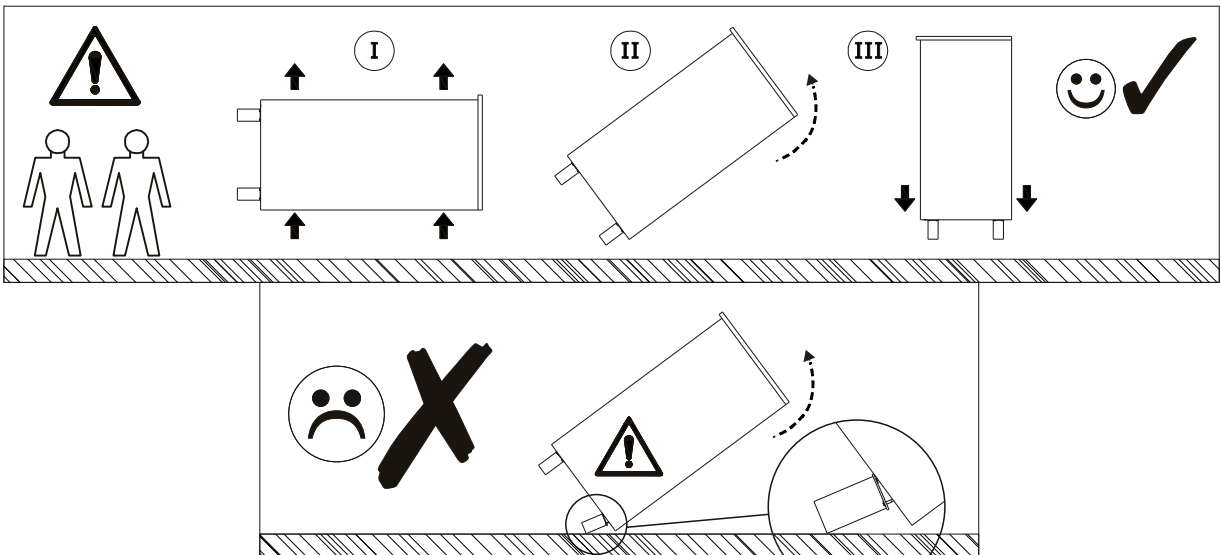
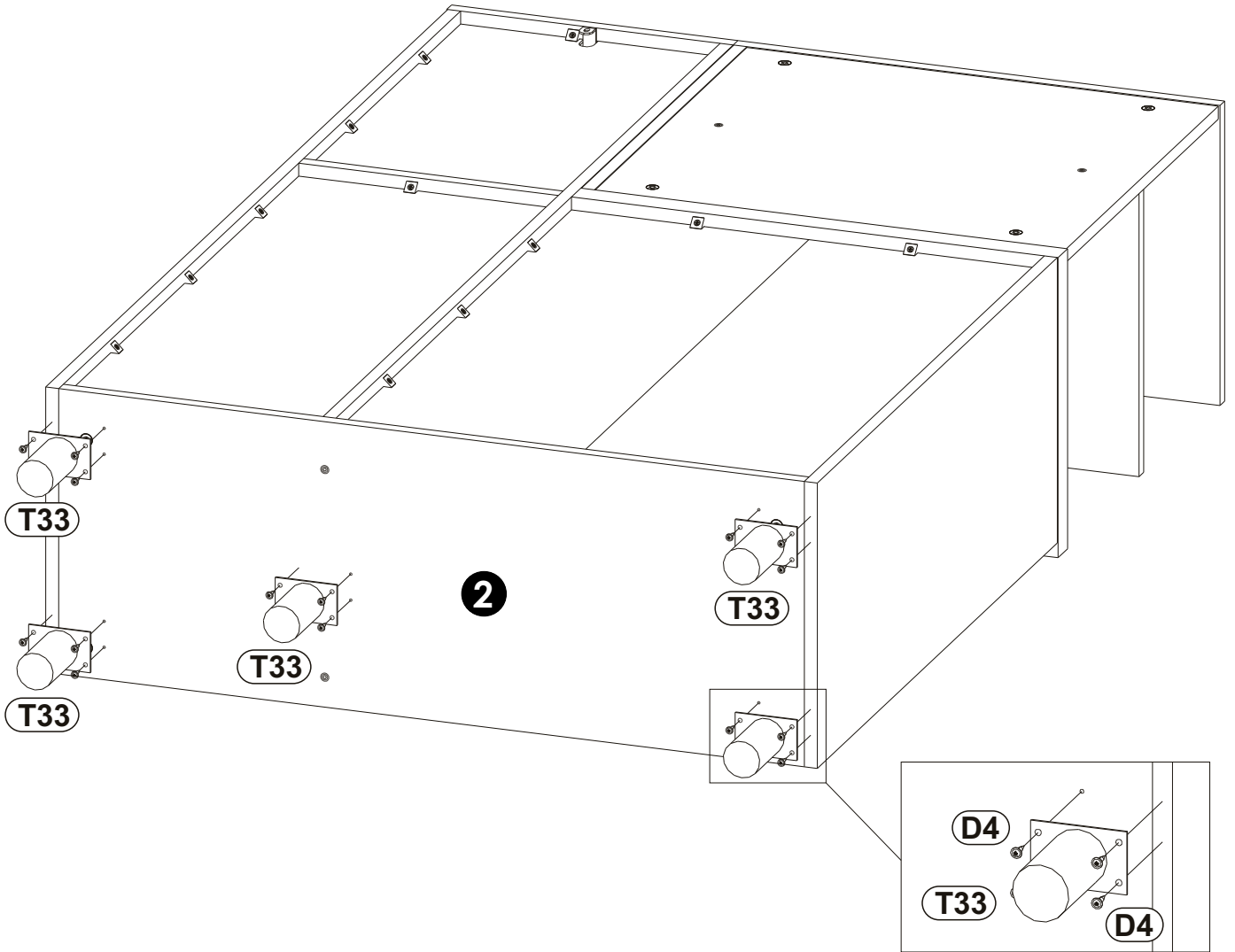
29

D0	3 x 15 mm	x24	M1		x24
					

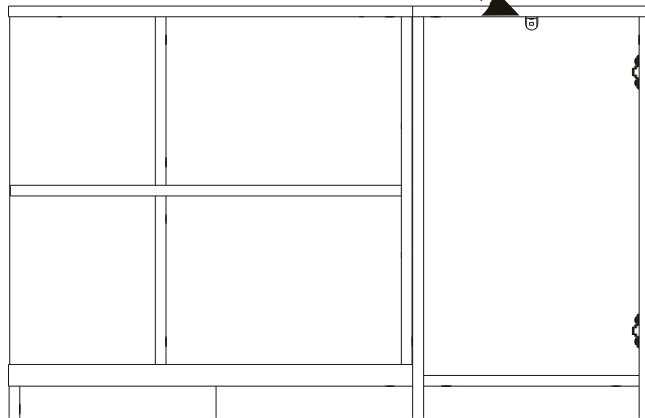
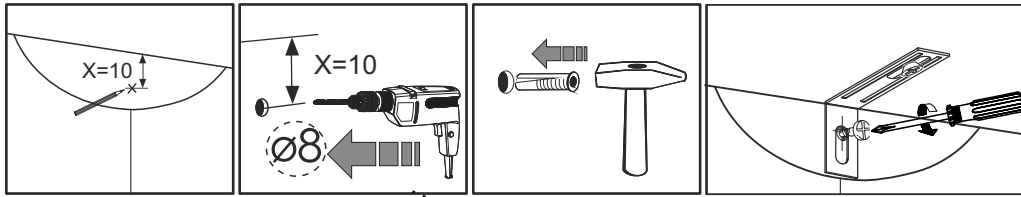
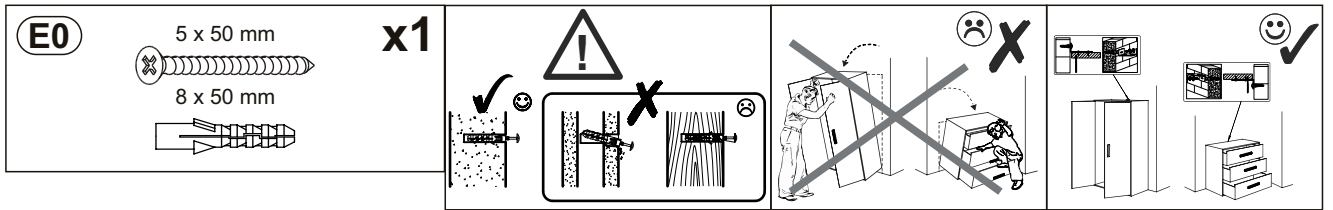


30

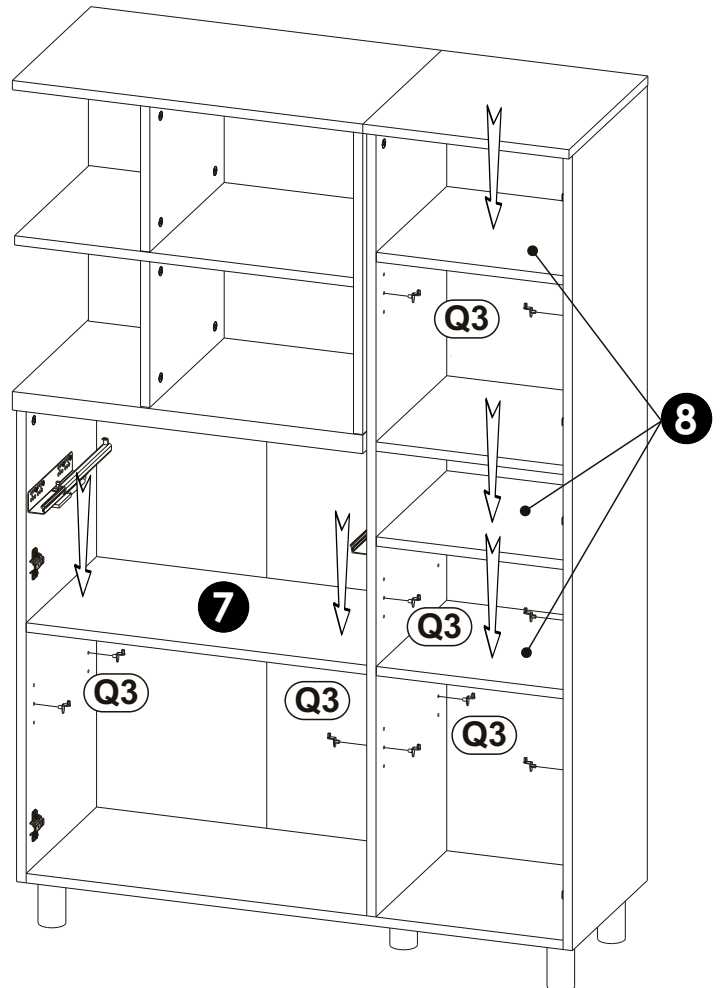
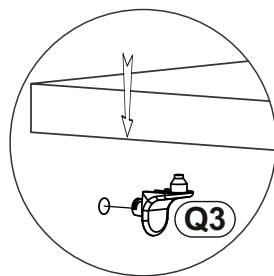
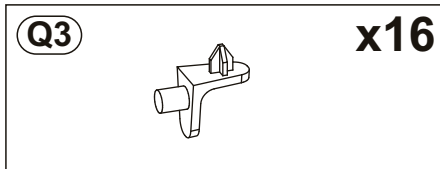
D4 3,5 x 17 mm 	x20	T33 	x5
---	------------	--	-----------

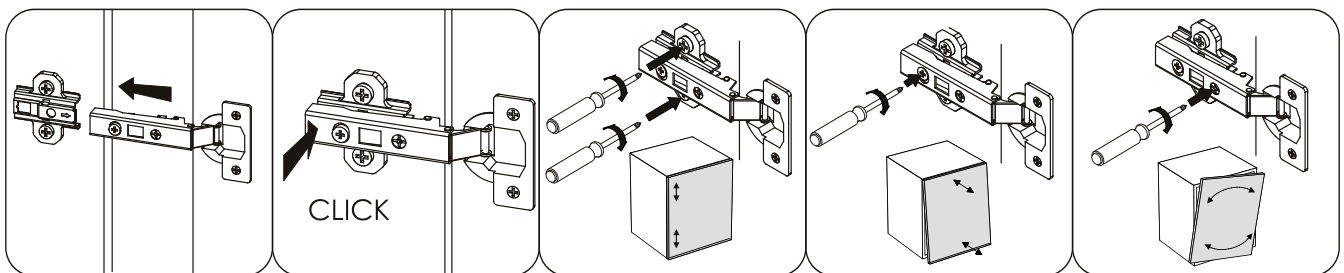
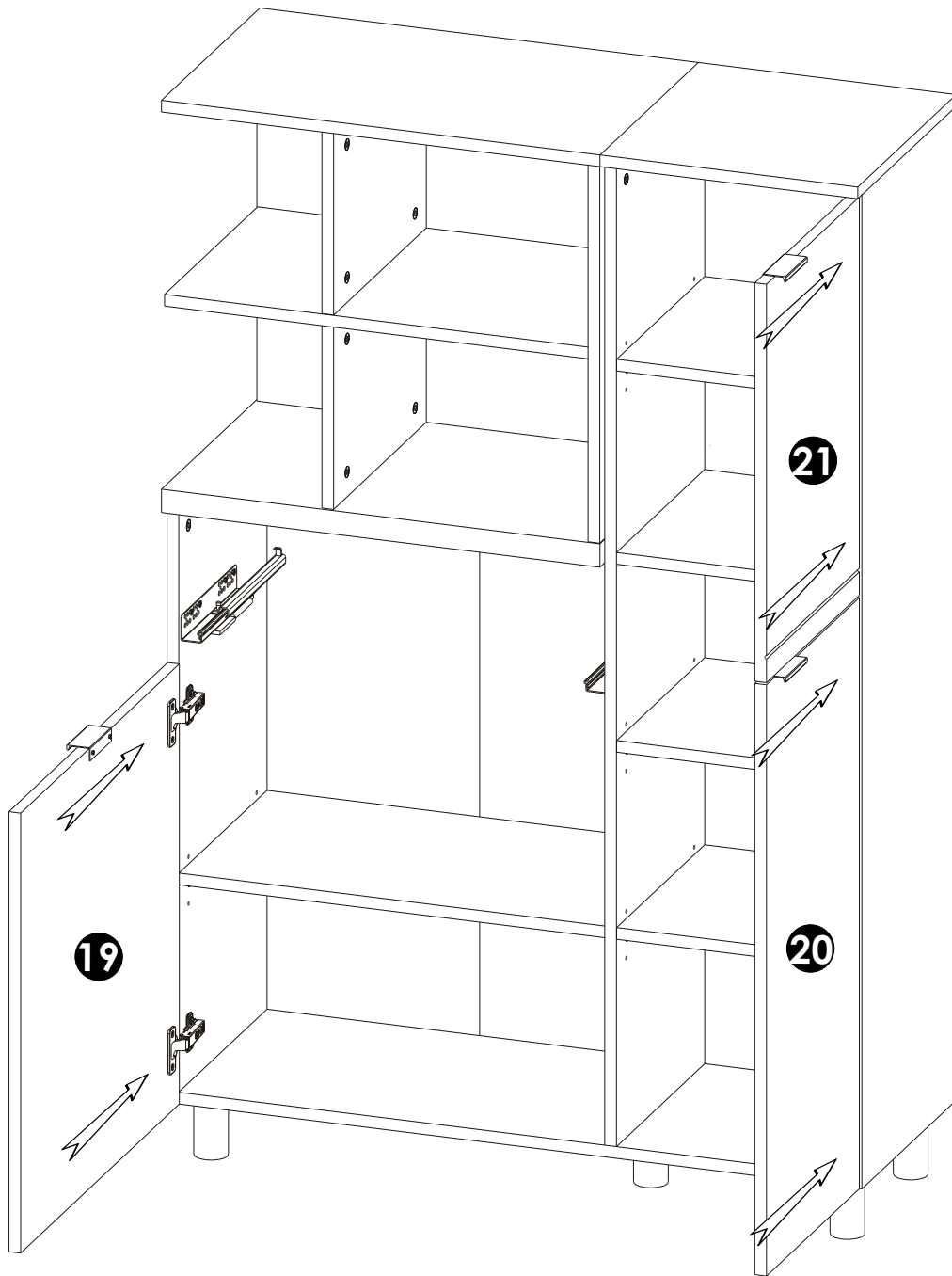


31

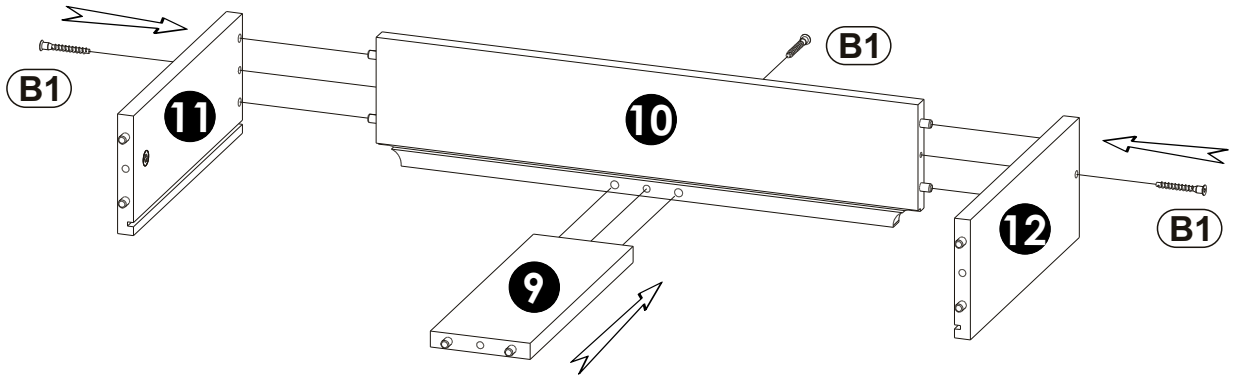
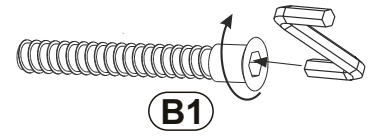
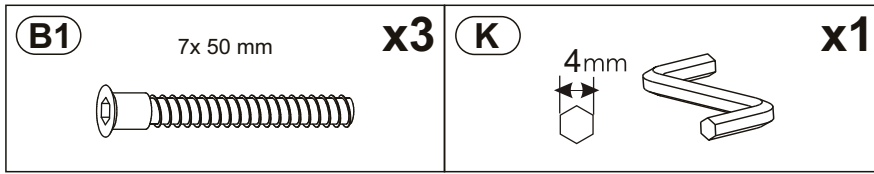


32

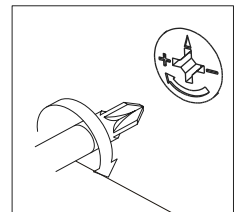
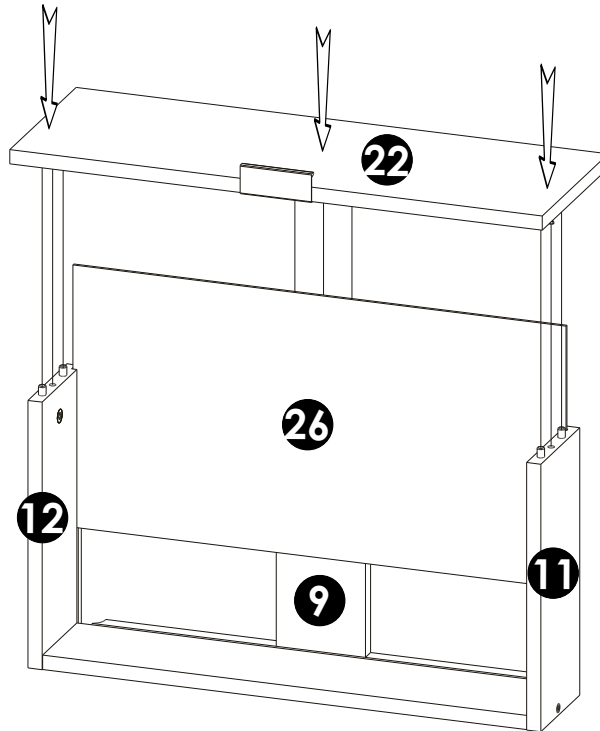




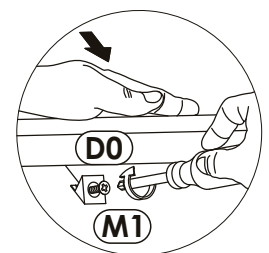
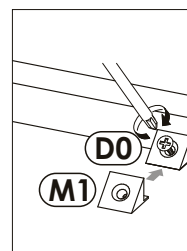
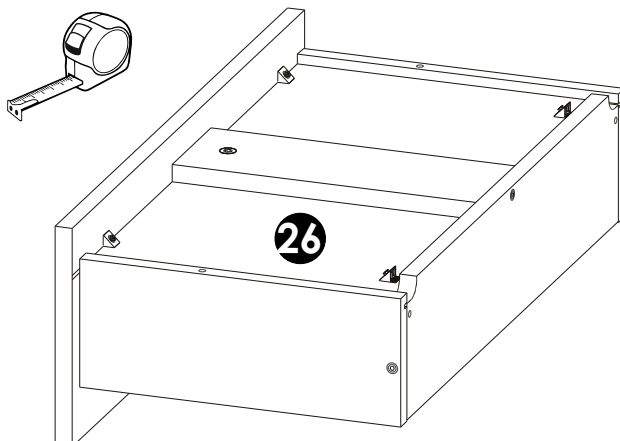
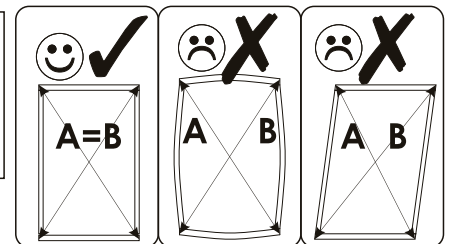
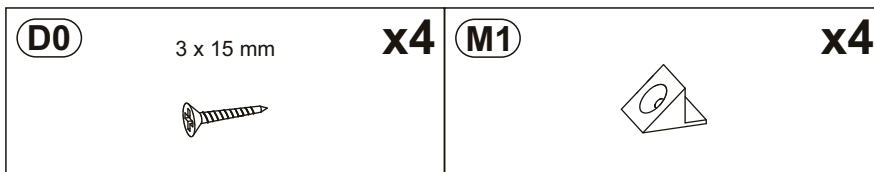
34

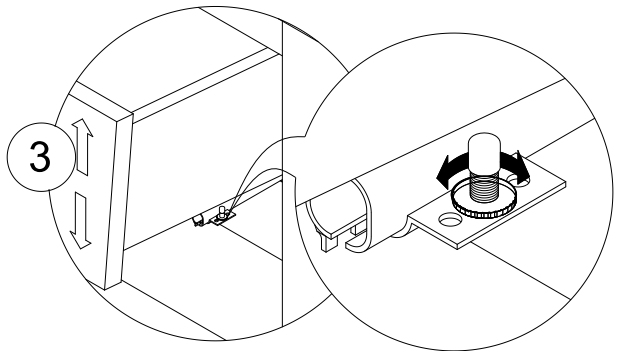
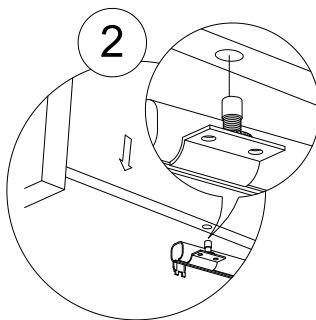
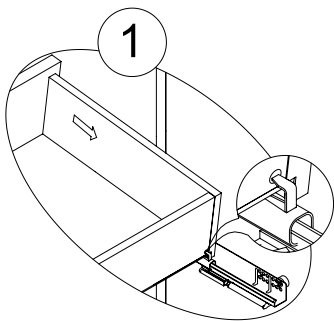
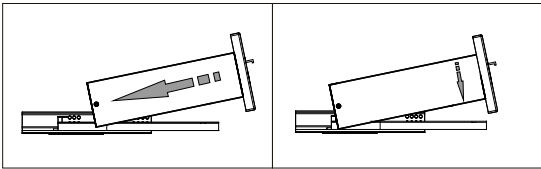
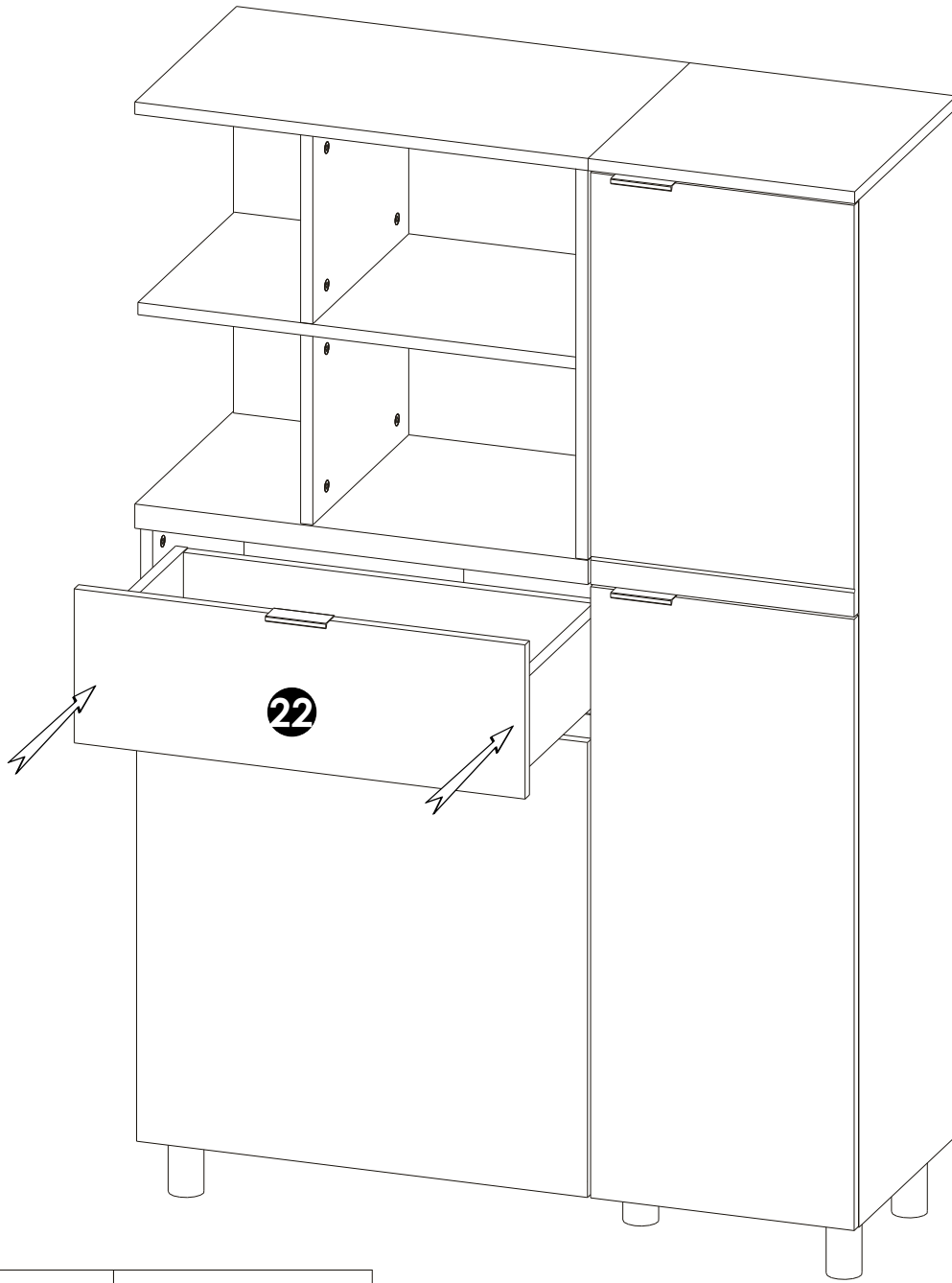


35




36





38

C0		x14	LOGO...	x1
-----------	---	------------	----------------	-----------

