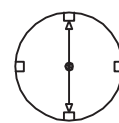
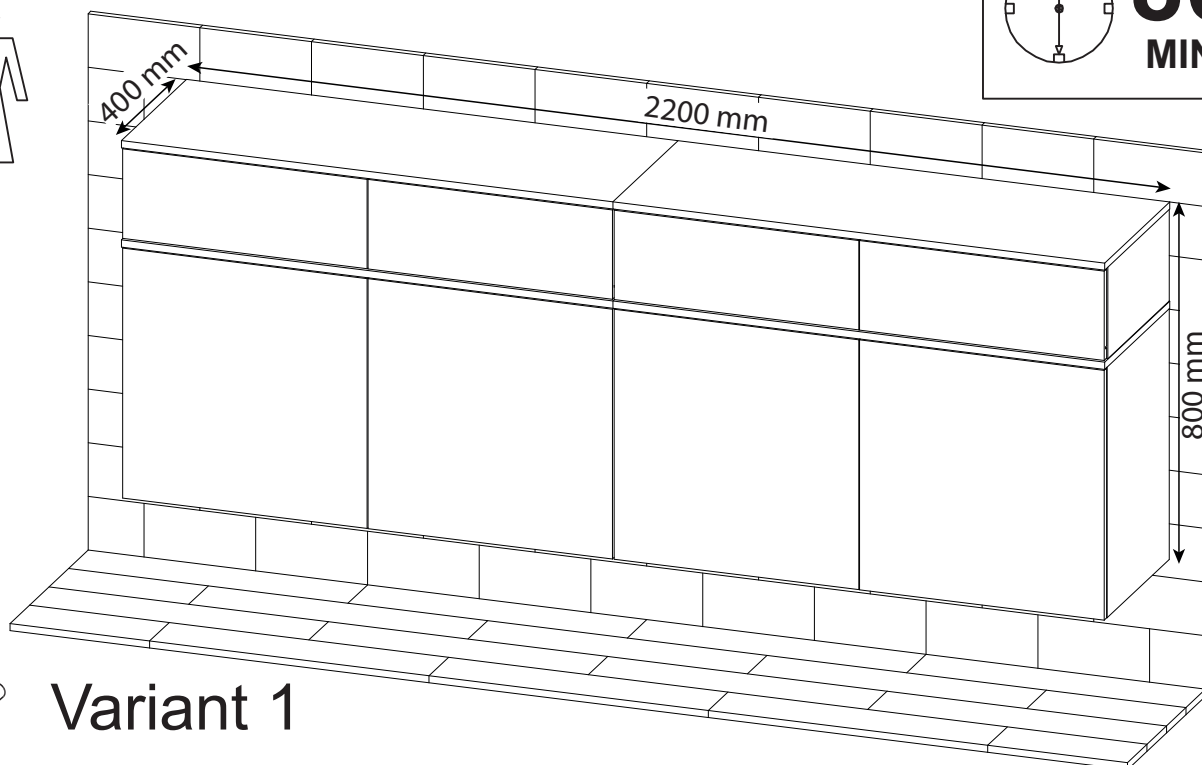
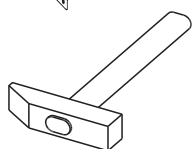
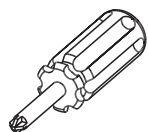
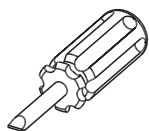
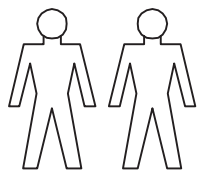


# SCALE Sideboard 4T4L

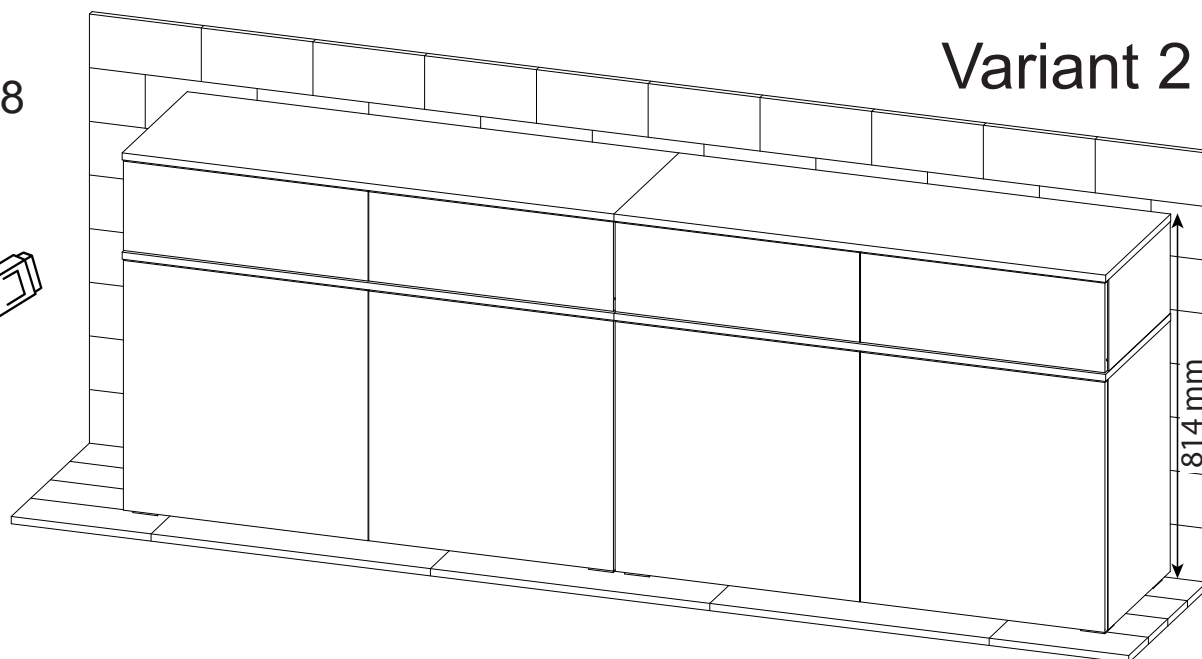
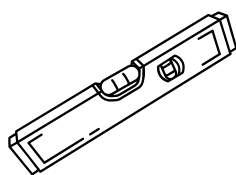
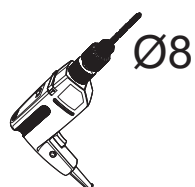
00030138/01  
00030138/11



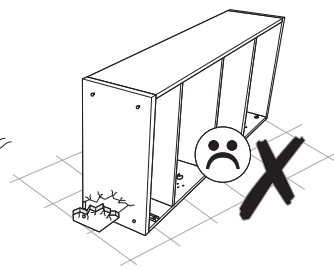
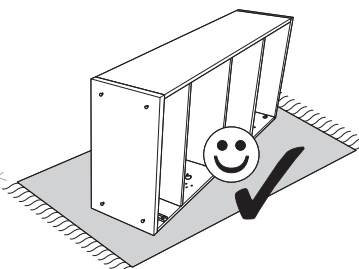
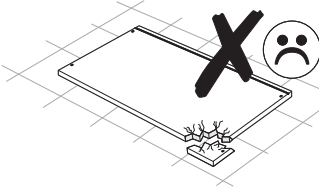
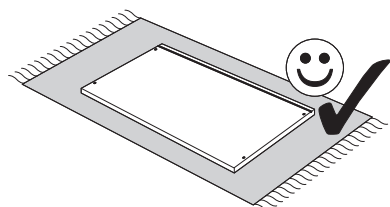
**80**  
**MIN**


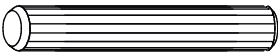




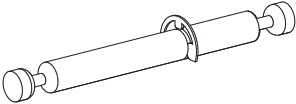

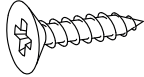
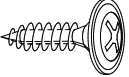


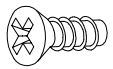
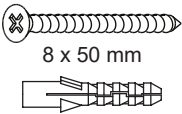
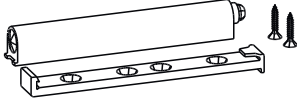
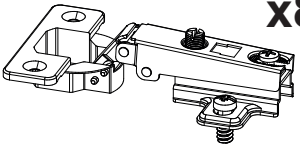


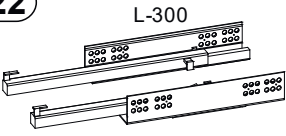
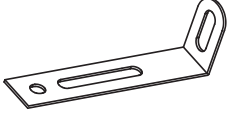
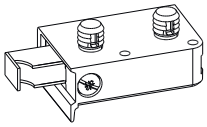
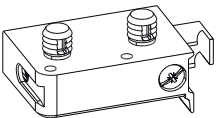
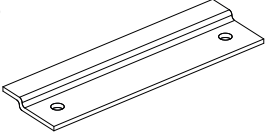
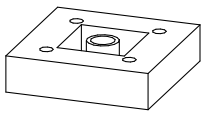


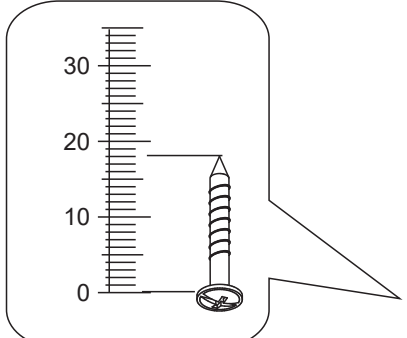
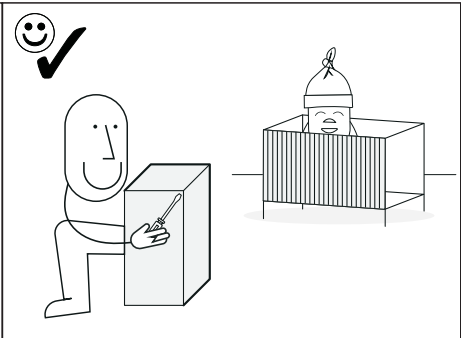
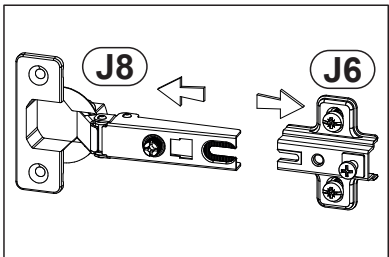
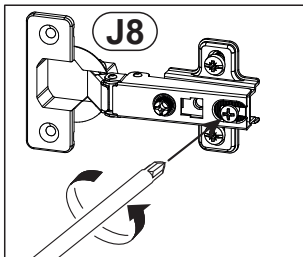
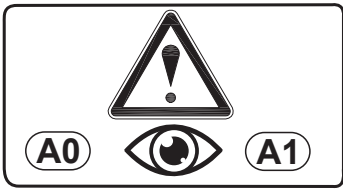
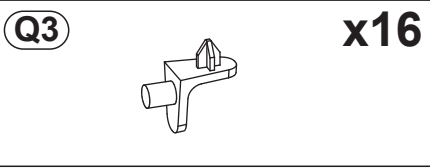
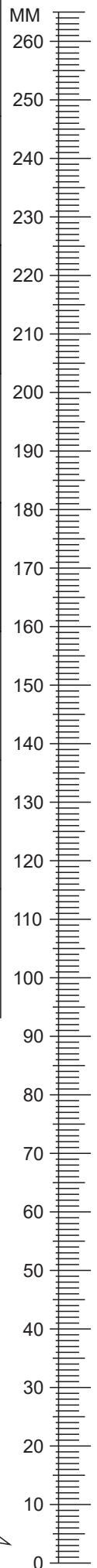
Variant 1



Variant 2



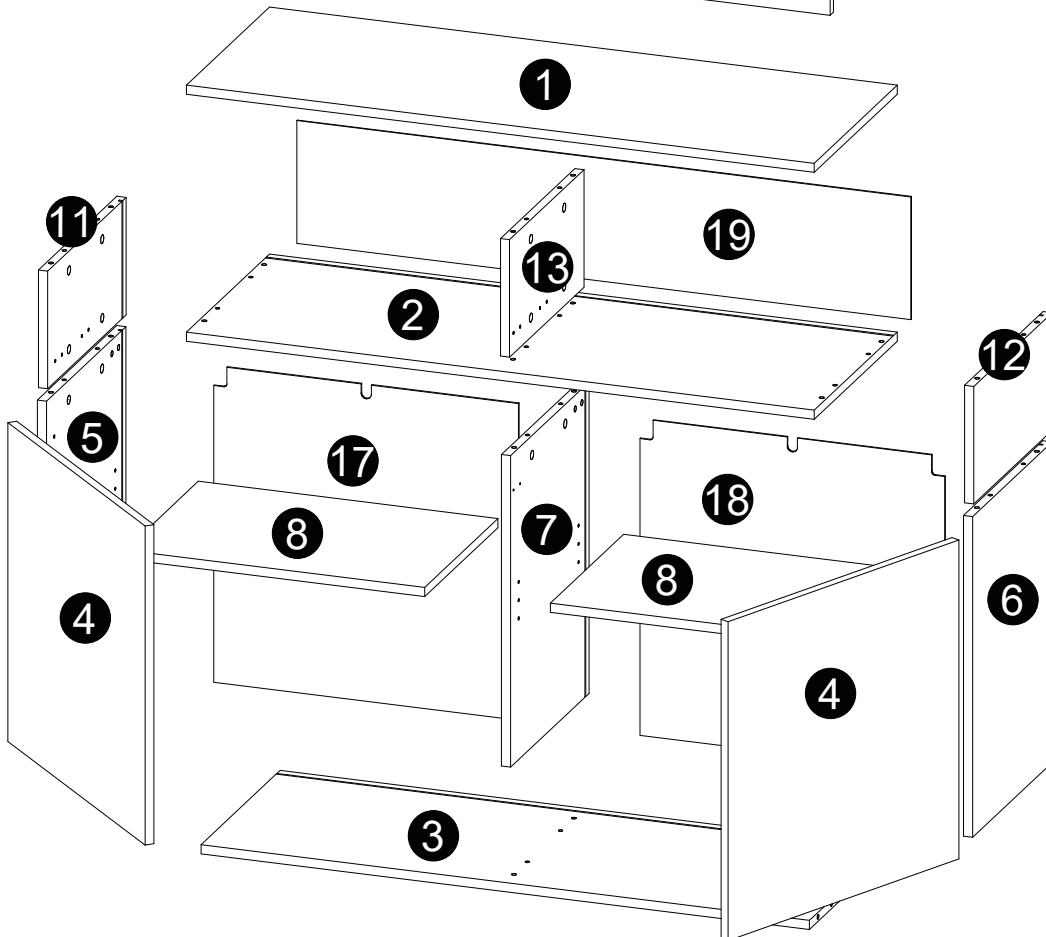
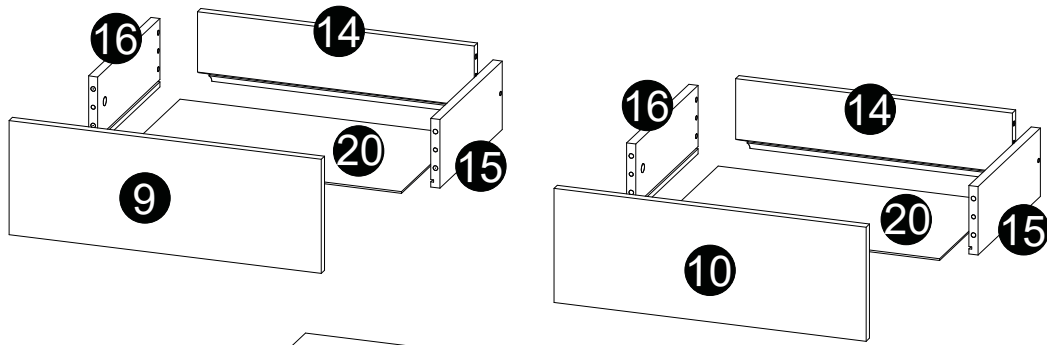
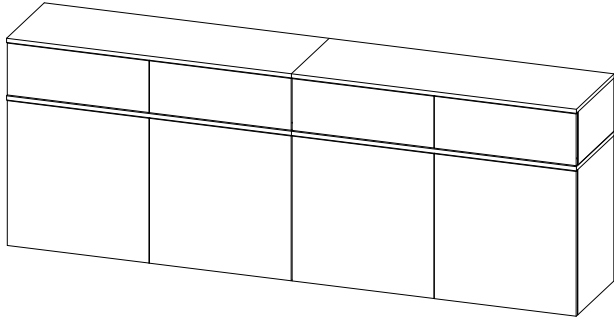
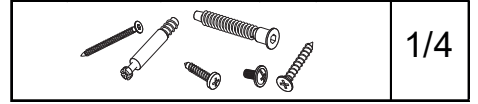
<b>A0</b> 8 x 30mm <b>x56</b> 	<b>A1</b> 8 x 50mm <b>x12</b> 	<b>B1</b> 7x 50 mm <b>x12</b> 
<b>C0</b> <b>x32</b> 	<b>C2</b> <b>x28</b> 	<b>C7</b> 16mm <b>x52</b> 
<b>C8</b> L-84mm <b>x12</b> 	<b>D0</b> 3 x 15 mm <b>x65</b> 	<b>D10</b> 4 x 16 mm <b>x16</b> 
<b>D8</b> 4.2 x 13 mm <b>x8</b> 	<b>D12</b> 3.5 x 25 mm <b>x40</b> 	<b>D13</b> 4x30 mm <b>x12</b> 
<b>D31</b> 6.3 x 13 mm <b>x32</b> 	<b>E0</b> 5 x 50 mm 8 x 50 mm <b>x12</b> 	<b>F7</b> <b>x4</b> 
<b>J8</b> <b>J6</b> <b>x8</b> 	<b>K</b> 4mm <b>x1</b> 	<b>M1</b> <b>x65</b> 
<b>N22</b> L-300 <b>x4</b> 	<b>P0</b> <b>x4</b> 	<b>P43</b> <b>x4</b> 
<b>P44</b> <b>x2</b> 	<b>P5</b> <b>x6</b> 	<b>T5</b> <b>x10</b> 



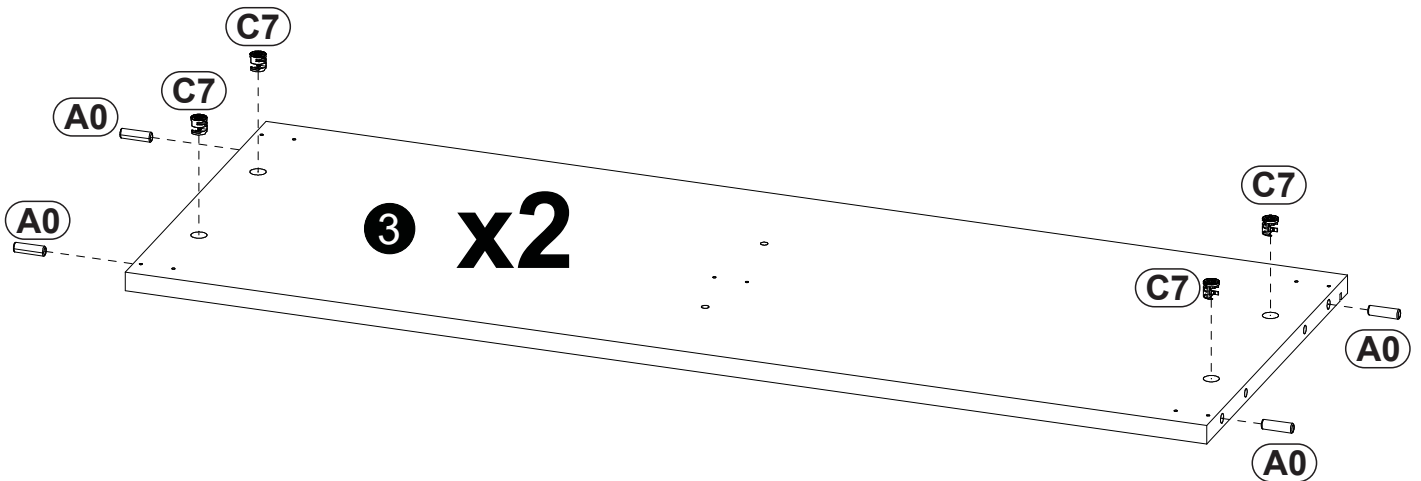
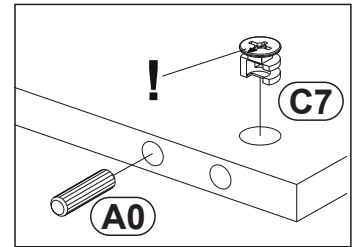
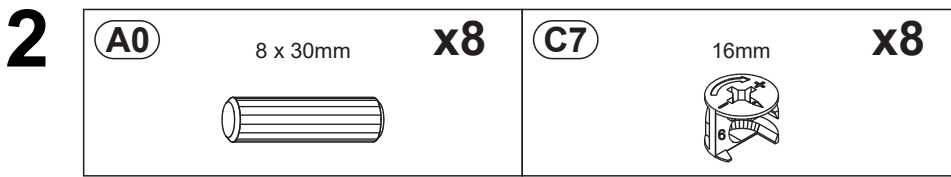
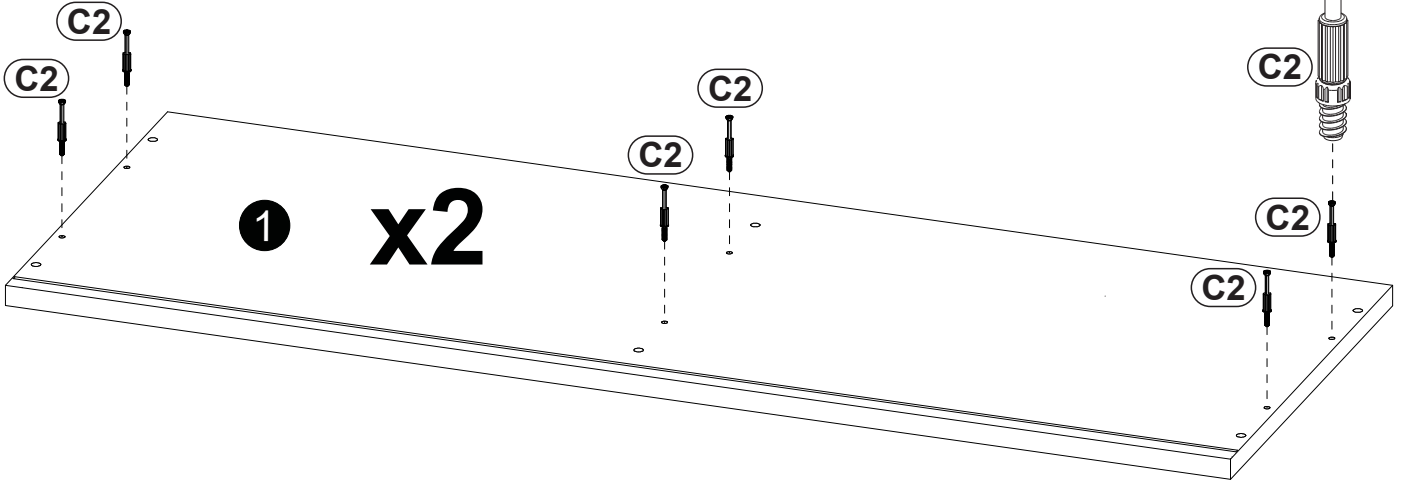
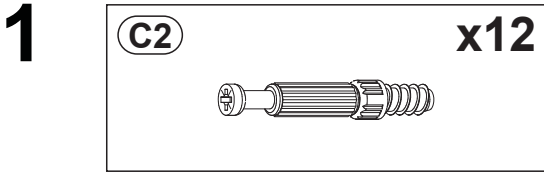
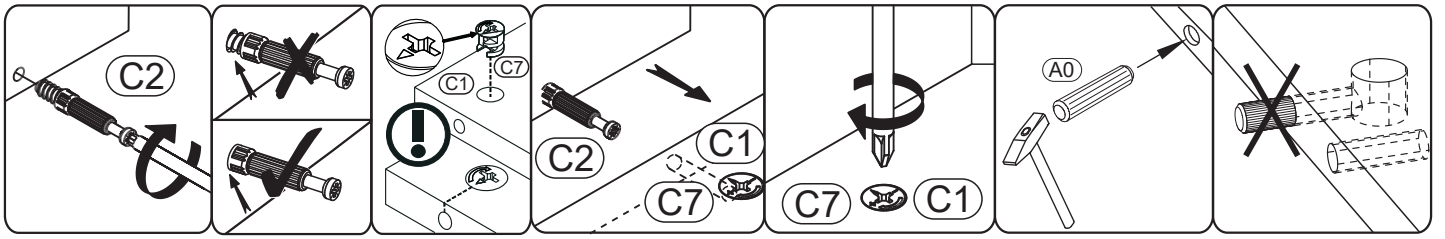
1	1100	400	16	2	3/4
2	1100	400	16	2	3/4
3	1066	381	16	2	4/4
4	559	547	16	4	2/4
5	562	382	16	2	1/4
6	562	382	16	2	1/4
7	546	378	16	2	1/4

8	525	353	16	4	4/4
9	547	200	16	2	2/4
10	547	200	16	2	2/4
11	206	377	16	2	1/4
12	206	377	16	2	1/4
13	206	357	16	2	1/4
14	485	119	16	4	4/4

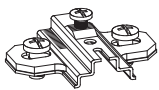



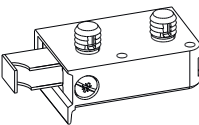
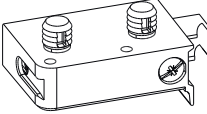
15	300	120	16	4	4/4
16	300	120	16	4	4/4
17	555	534	3	2	2/4
18	555	534	3	2	2/4
19	215	1076	3	2	3/4
20	495	294	3	4	2/4

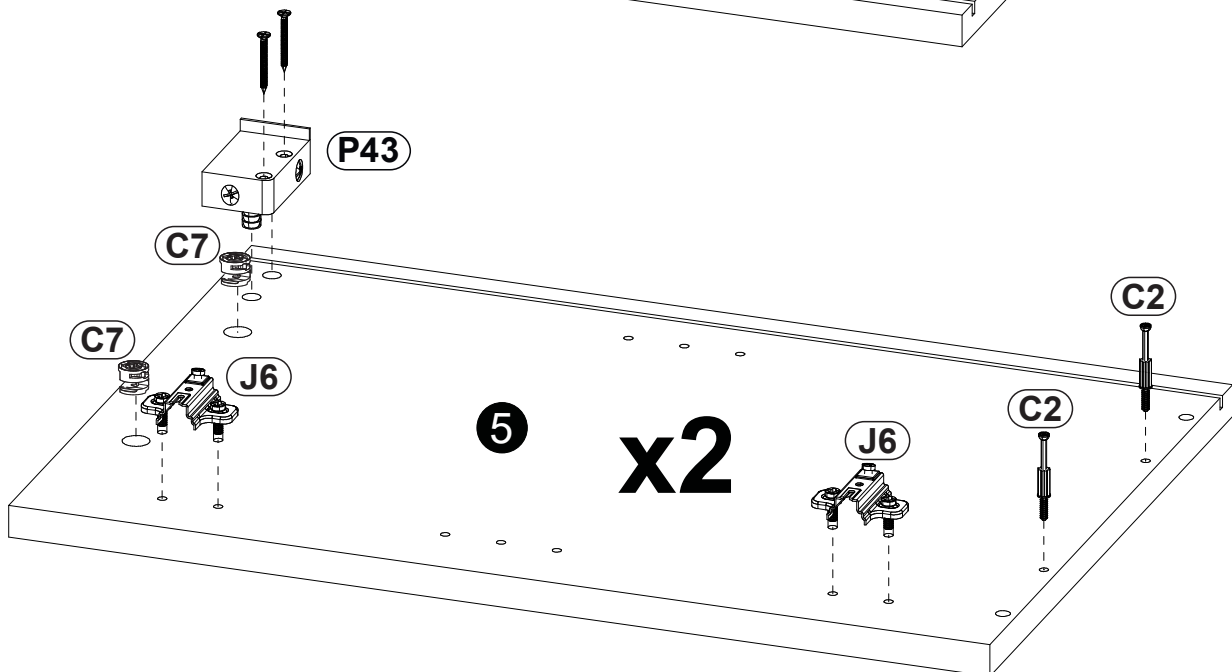
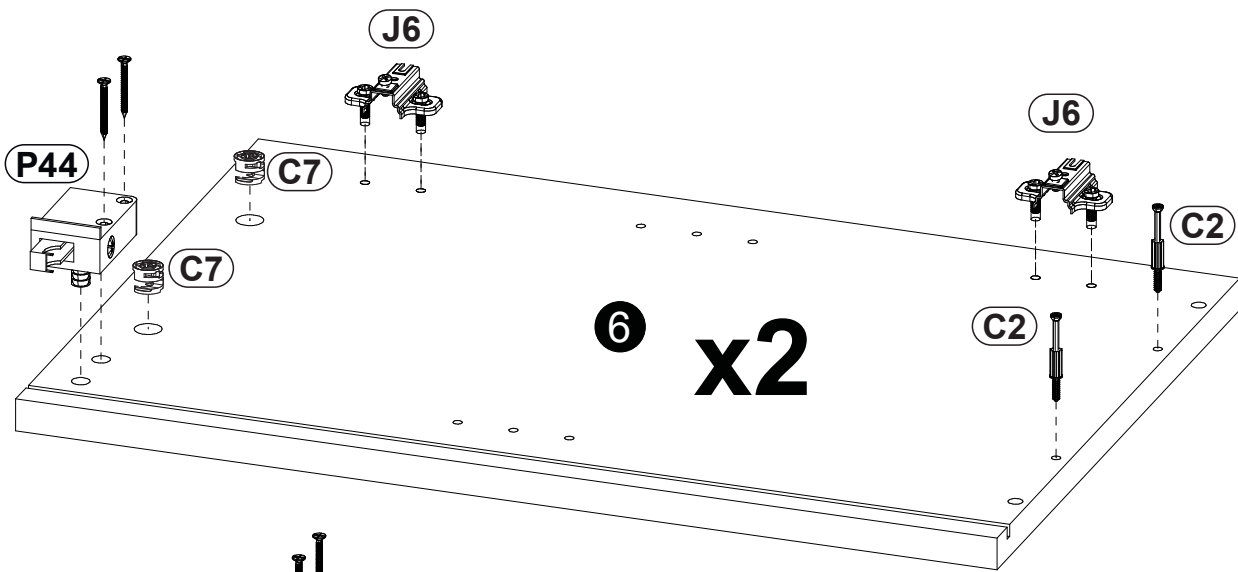
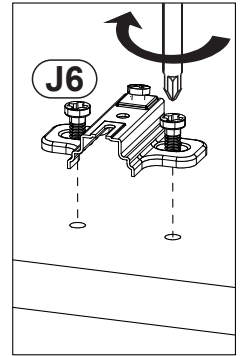
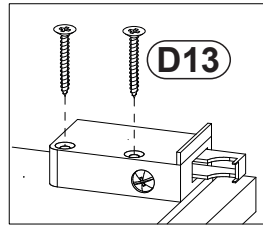
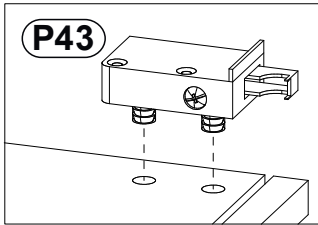


**x2**

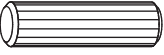
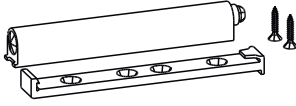

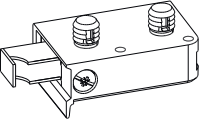



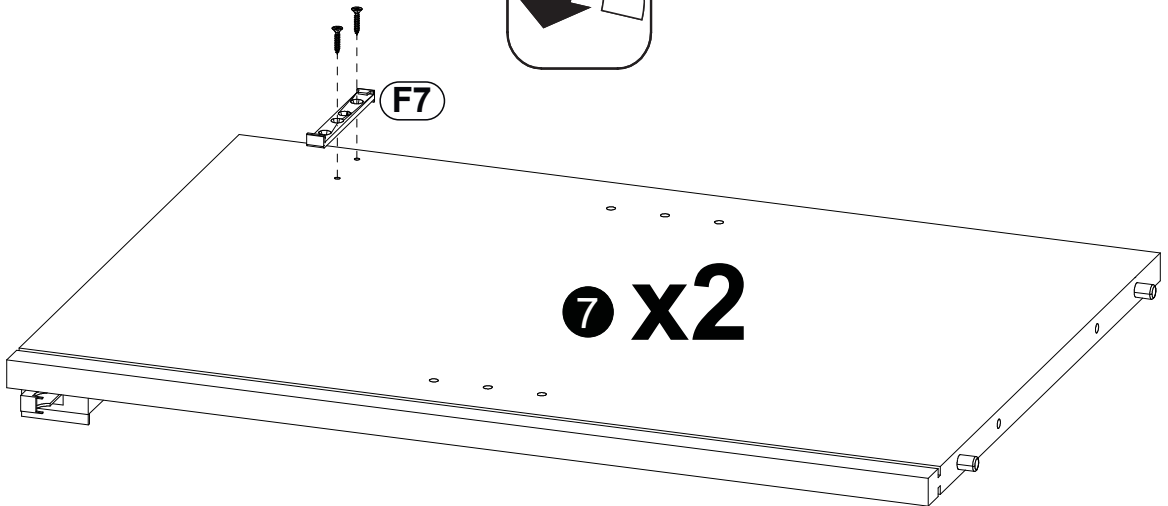
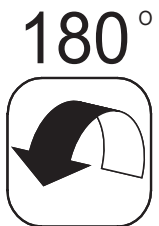
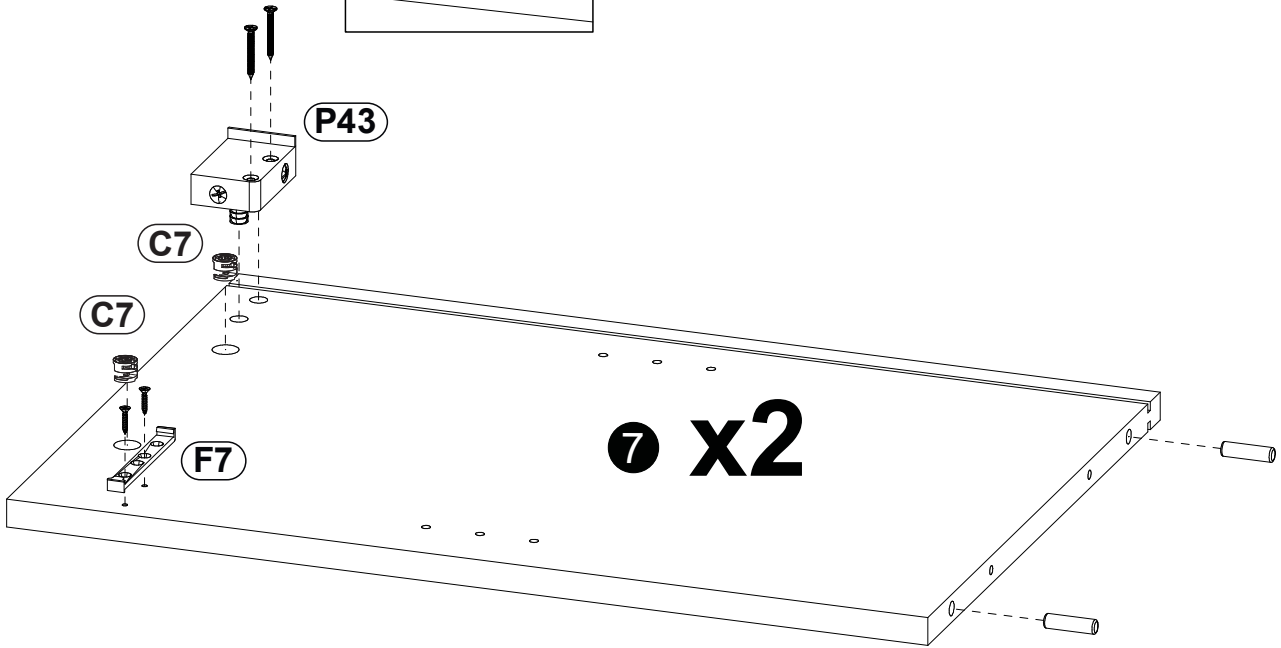
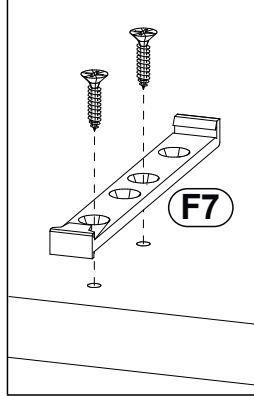
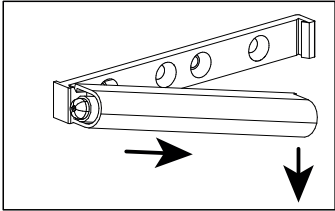
# 3

<b>J6</b>  <b>x8</b>	<b>C2</b>  <b>x8</b>	<b>C7</b> 16mm  <b>x8</b>
<b>D13</b> 4x30 mm  <b>x8</b>	<b>P43</b>  <b>x2</b>	<b>P44</b>  <b>x2</b>

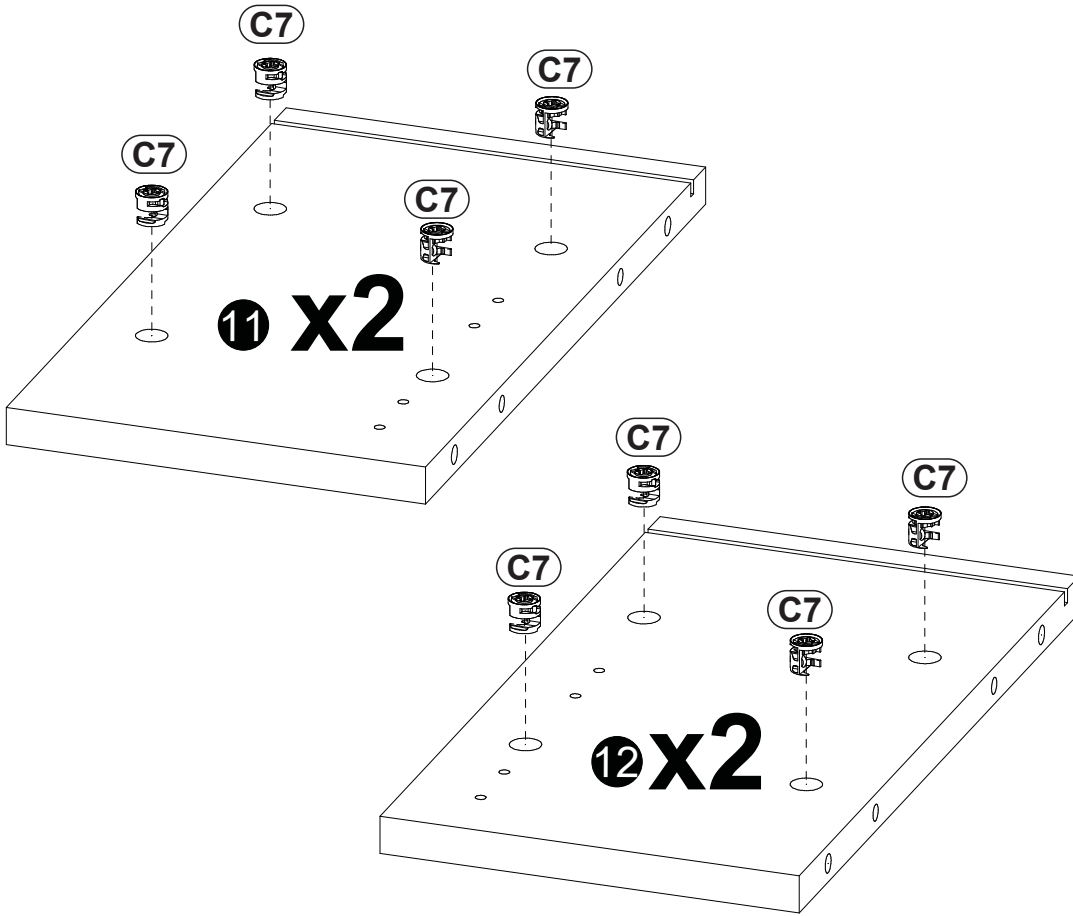
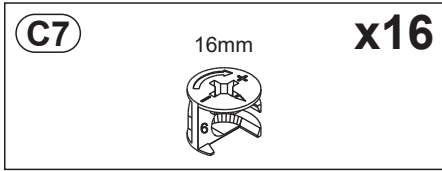


# 4

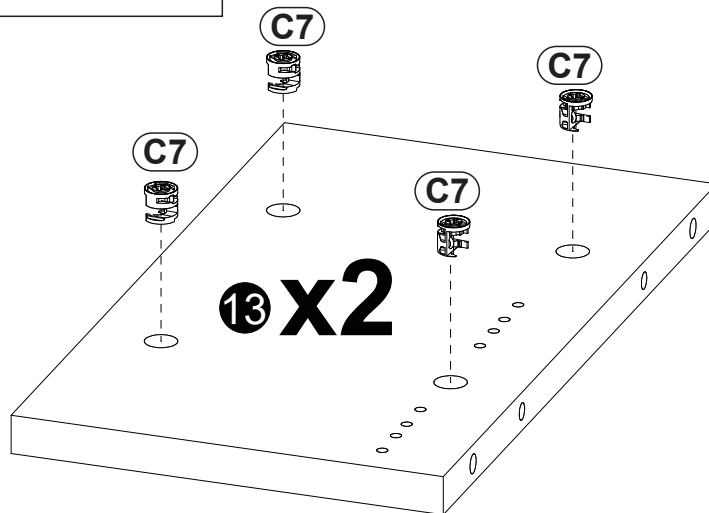
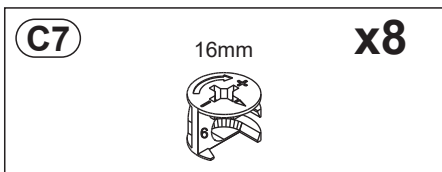
<b>(A0)</b> 8 x 30mm <b>x4</b> 	<b>(F7)</b> <b>x4</b> 	<b>(C7)</b> 16mm <b>x4</b> 
<b>(P43)</b> <b>x2</b> 	<b>(D13)</b> 4x30 mm <b>x4</b> 	



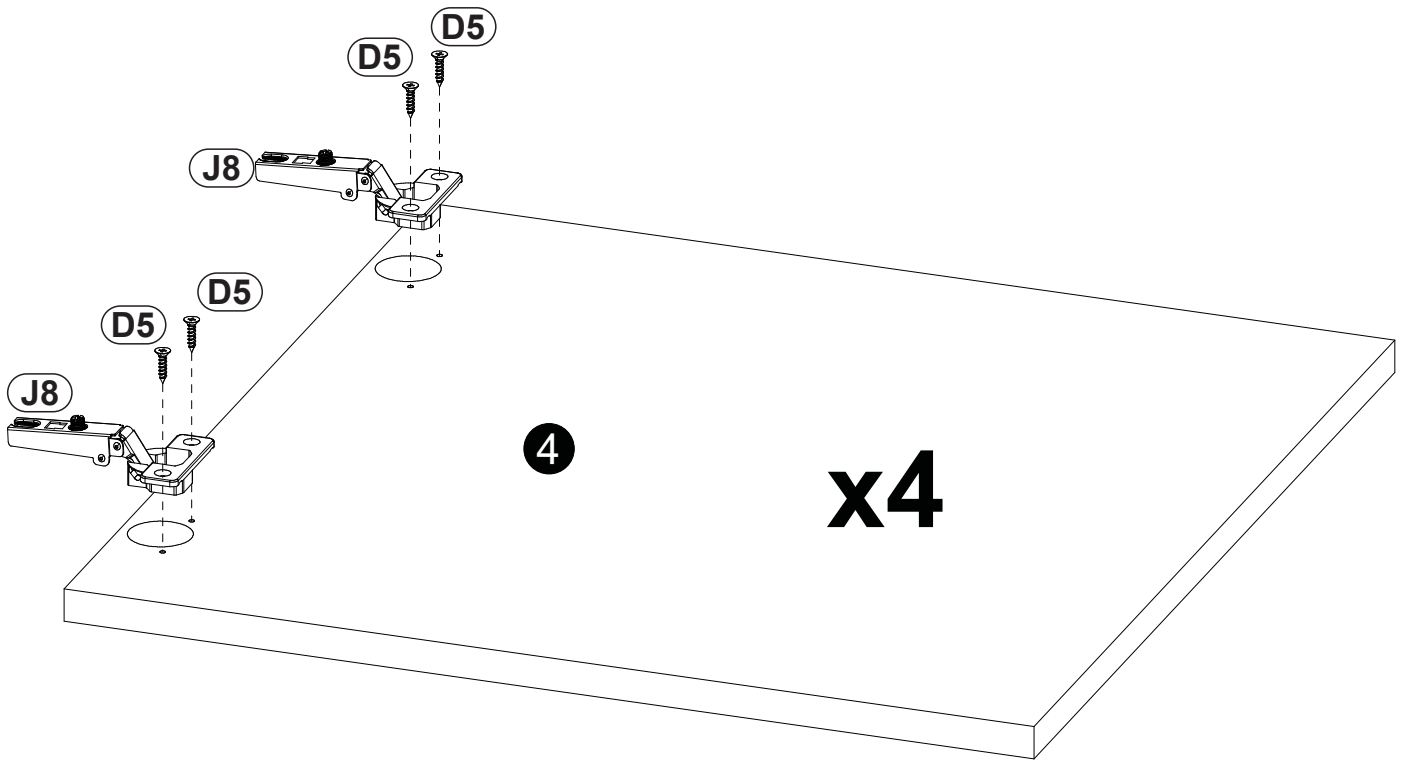
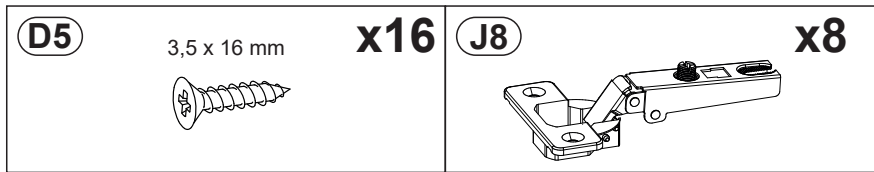
5



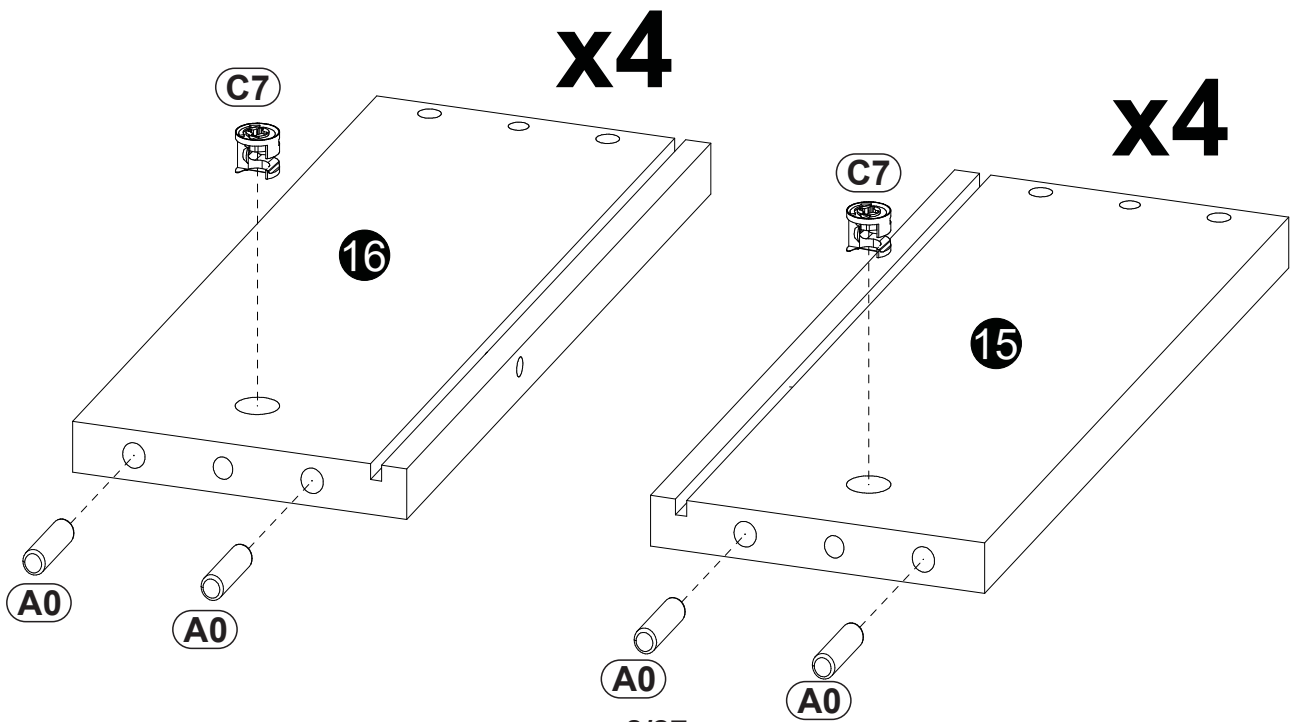
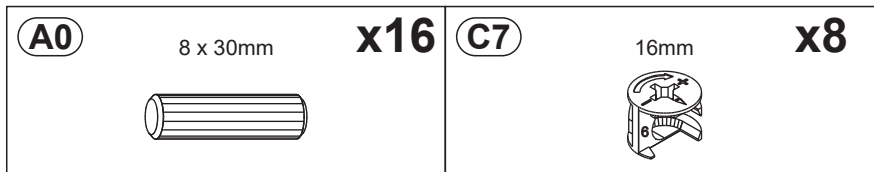
6



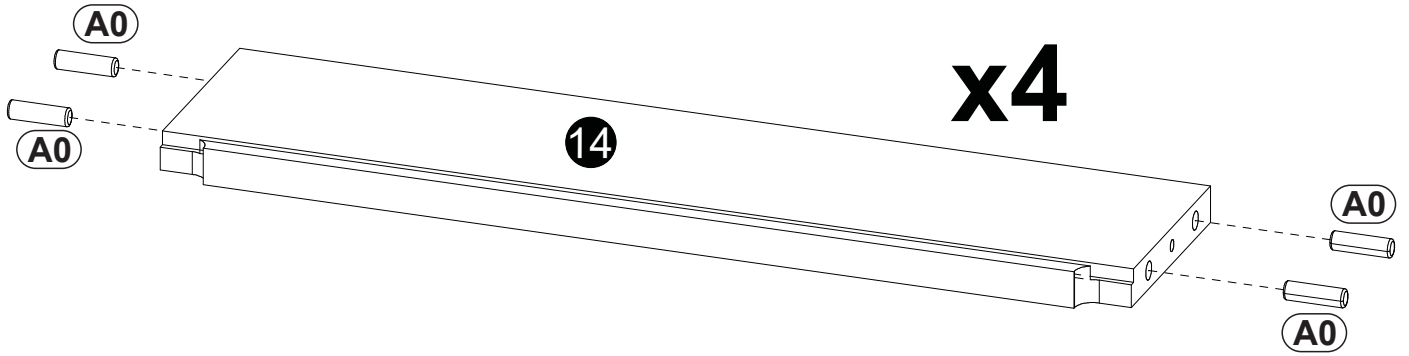
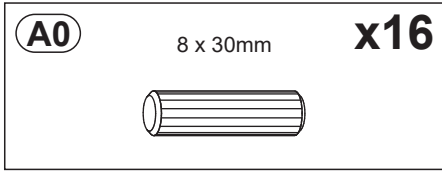
7



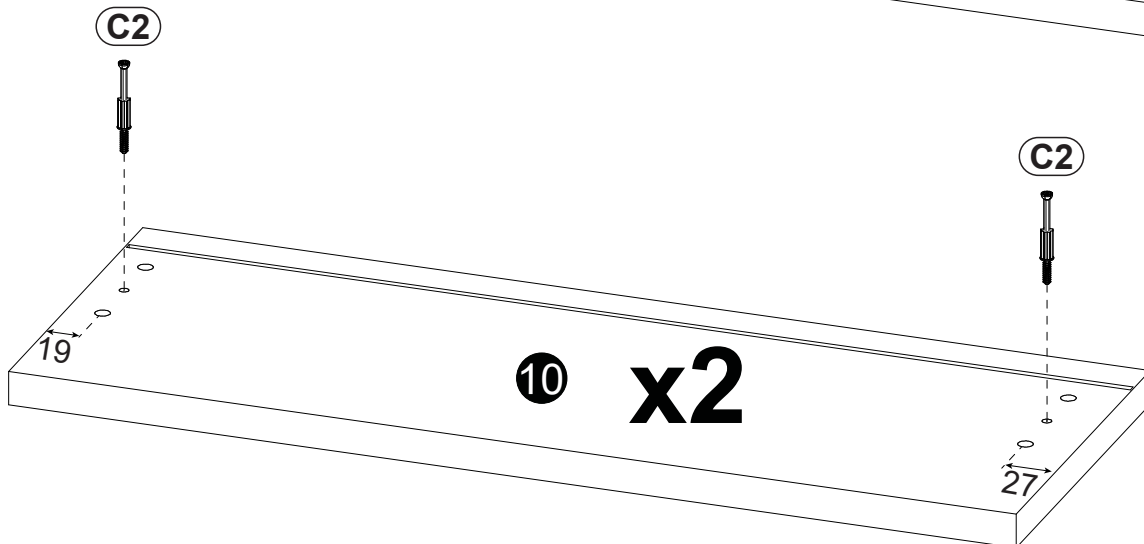
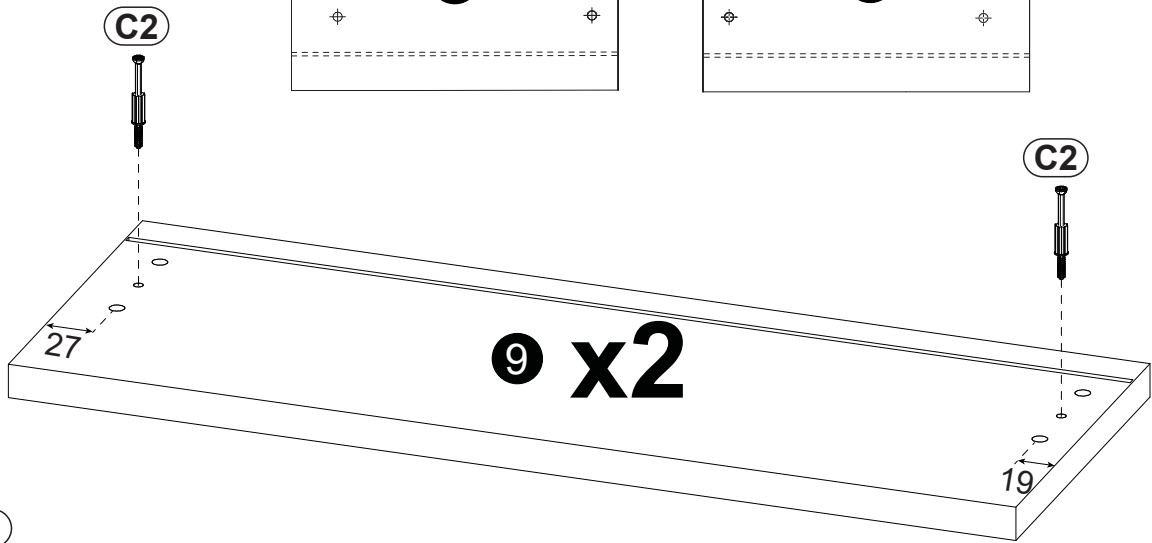
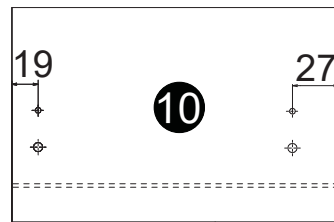
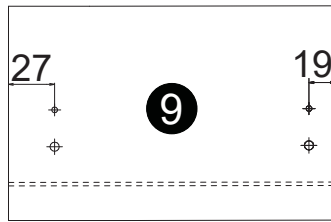
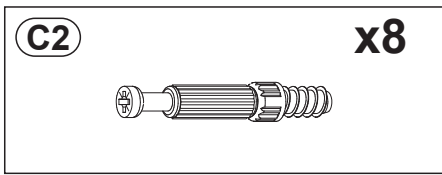
8



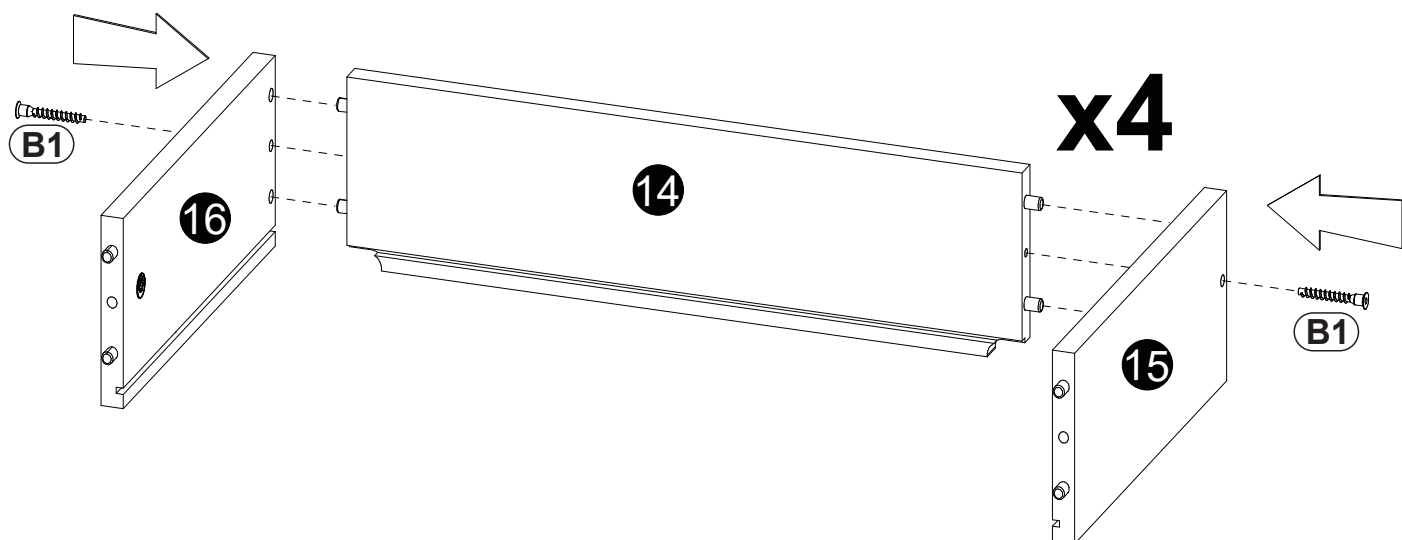
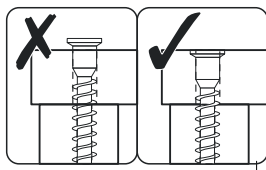
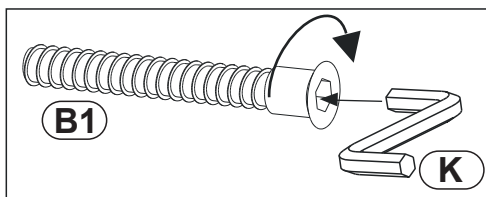
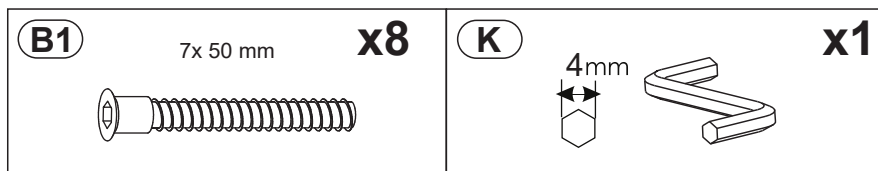
9



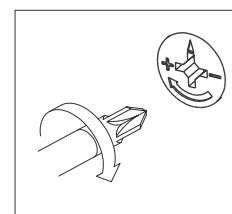
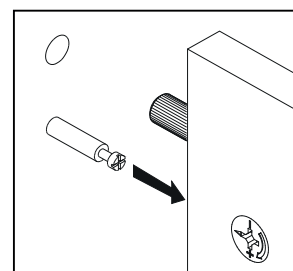
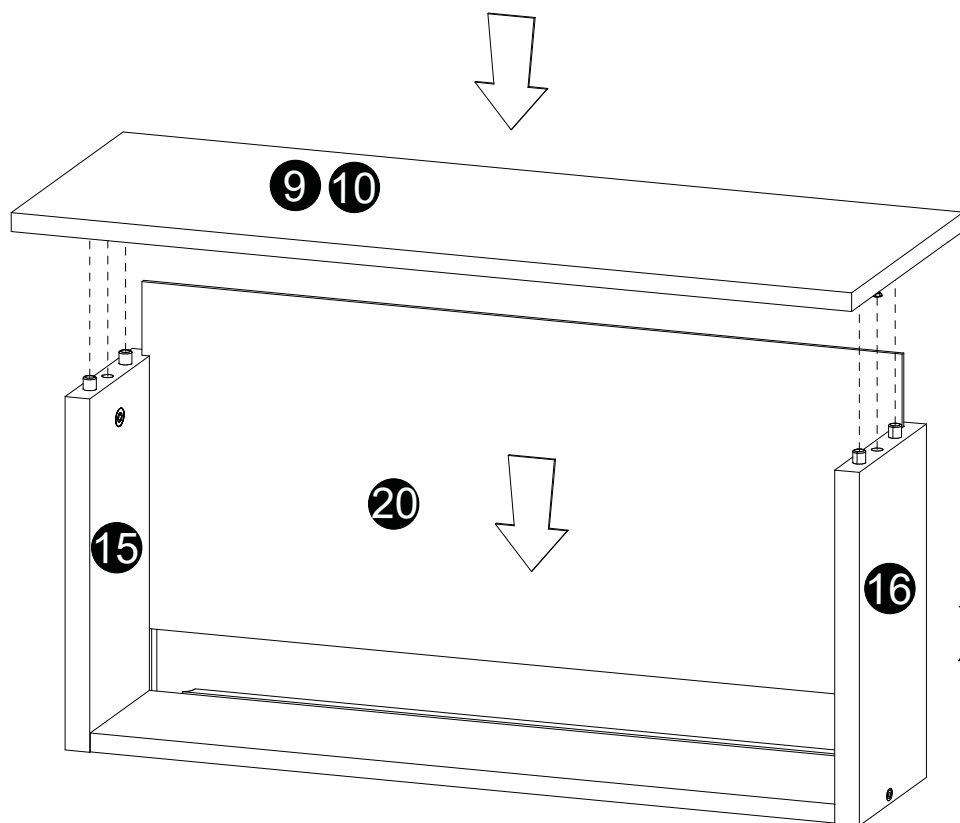
10



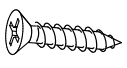
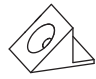
# 11



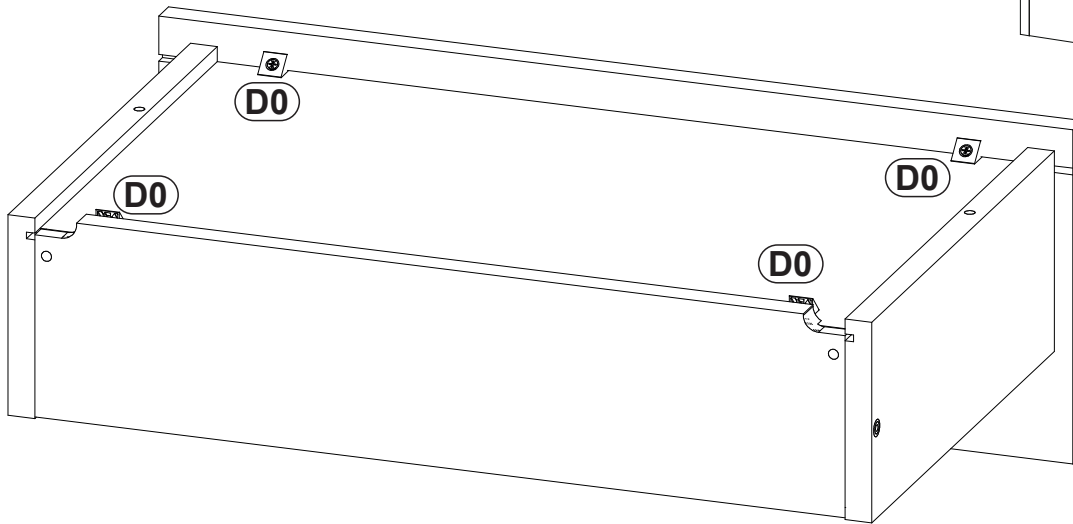
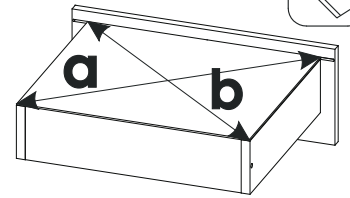
# 12



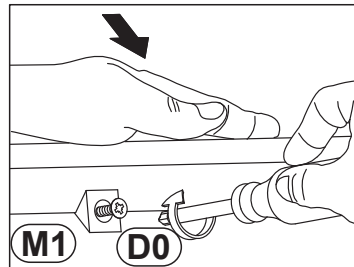
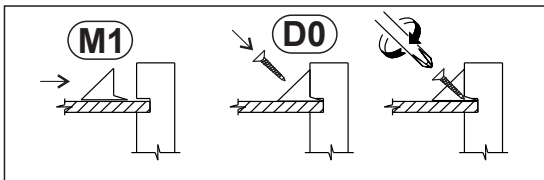
# 13

<b>(D0)</b> 3 x 15 mm 	<b>x16</b>	<b>(M1)</b> 	<b>x16</b>
---	------------	--	------------


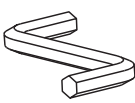
**a=b**

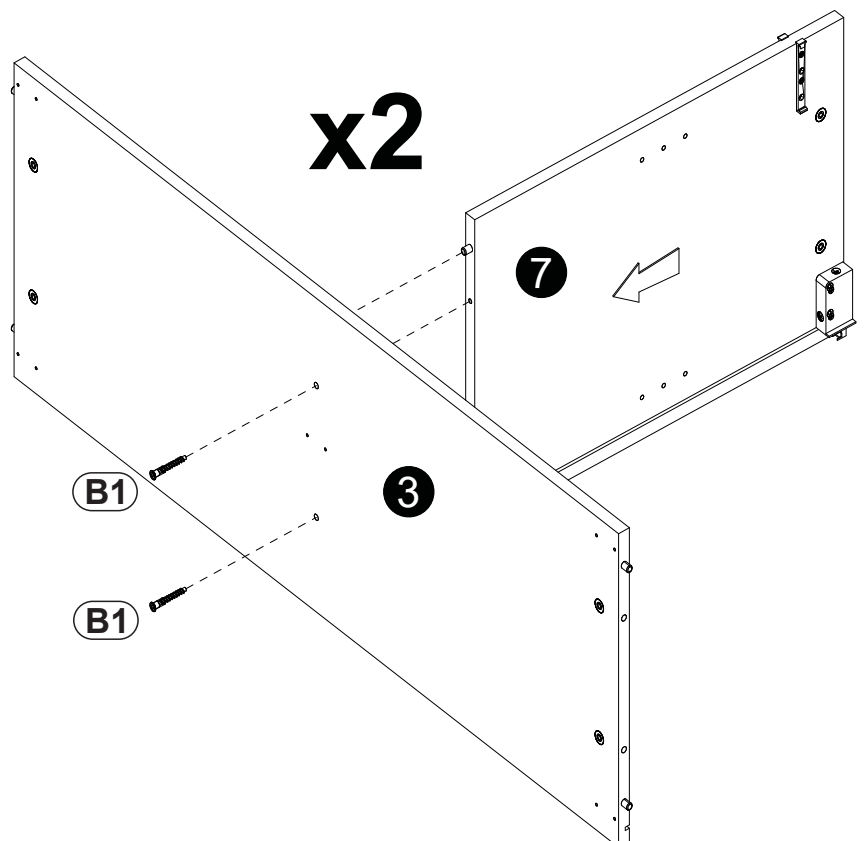
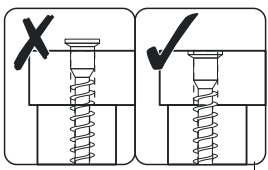
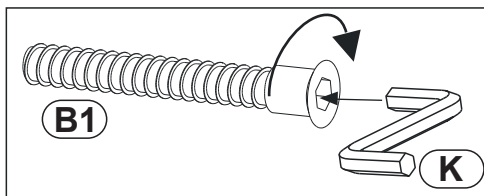


# x4

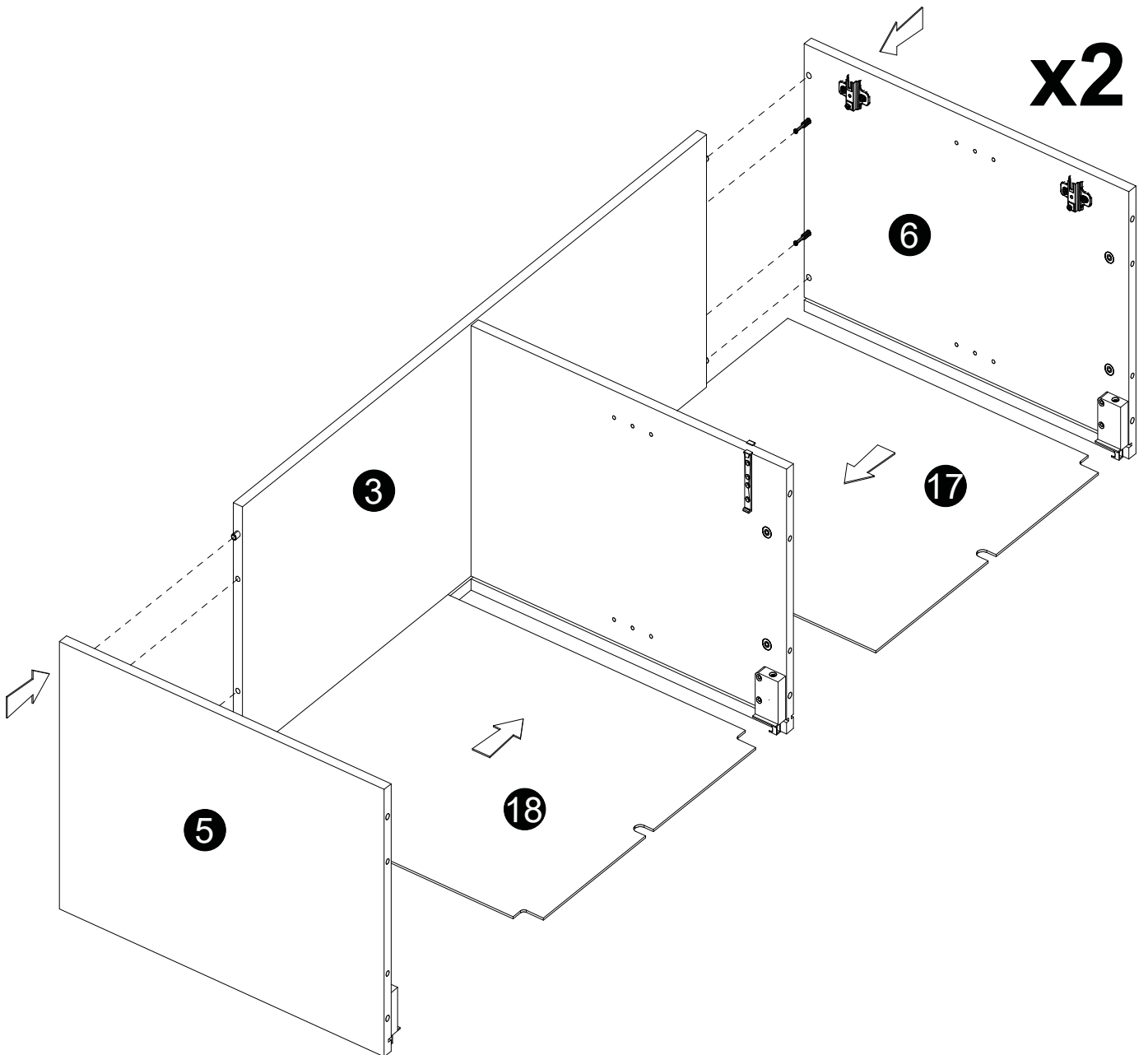
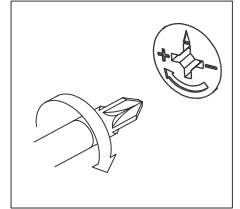
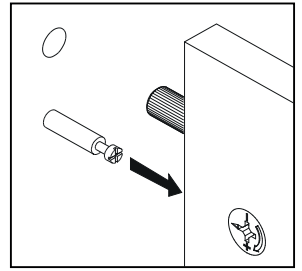


# 14

<b>(B1)</b> 7x 50 mm 	<b>x4</b>
<b>(K)</b> 4mm 	<b>x1</b>

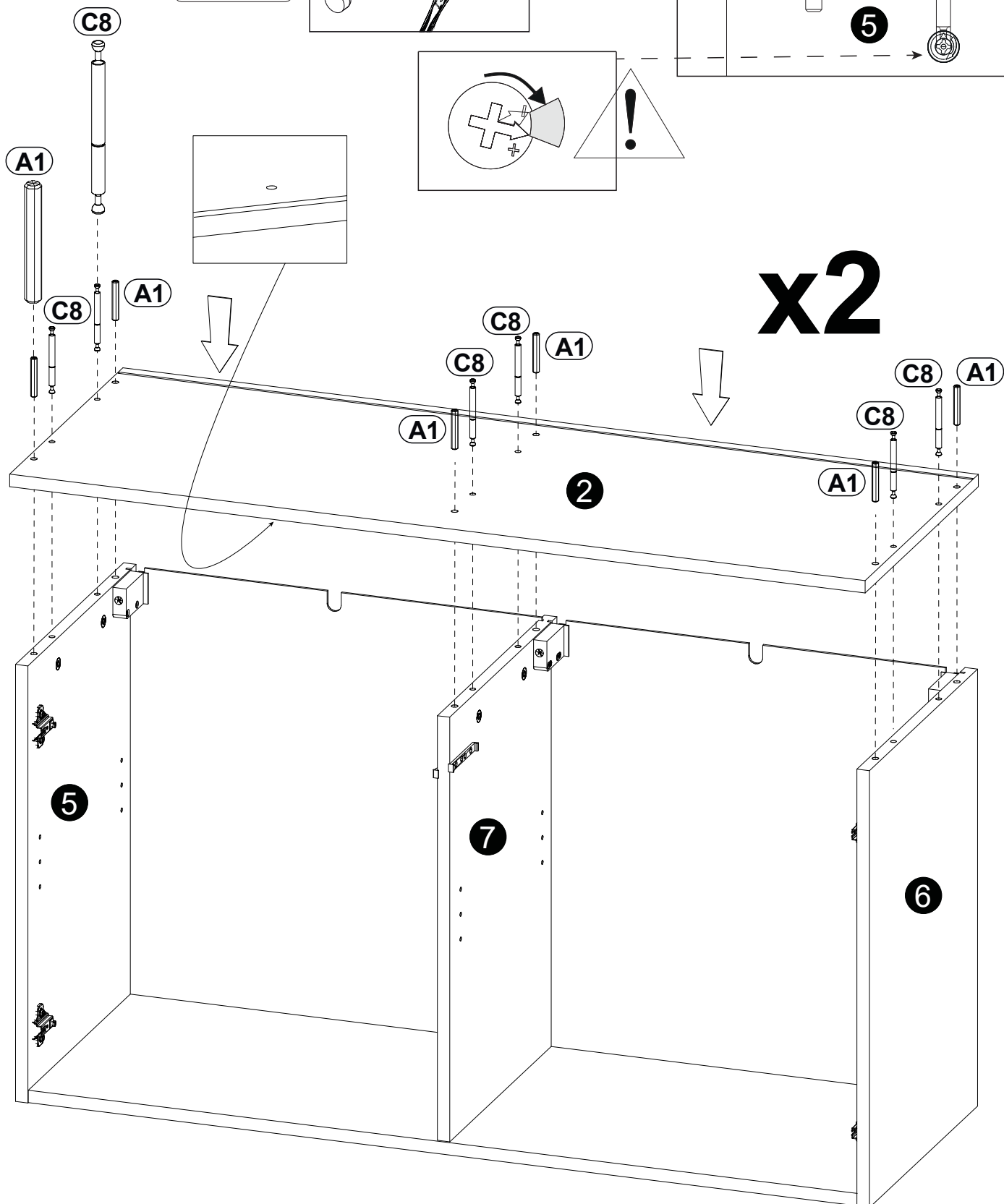
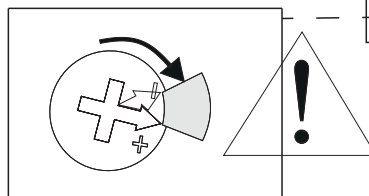
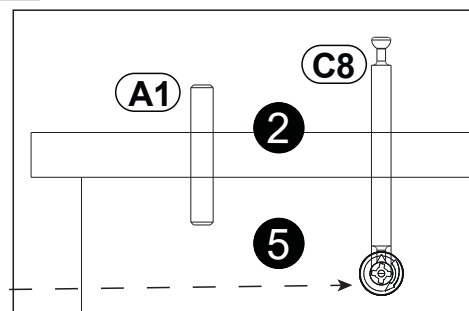
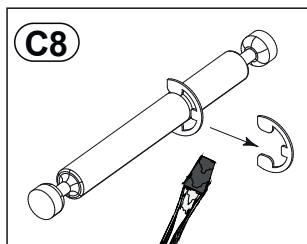


15

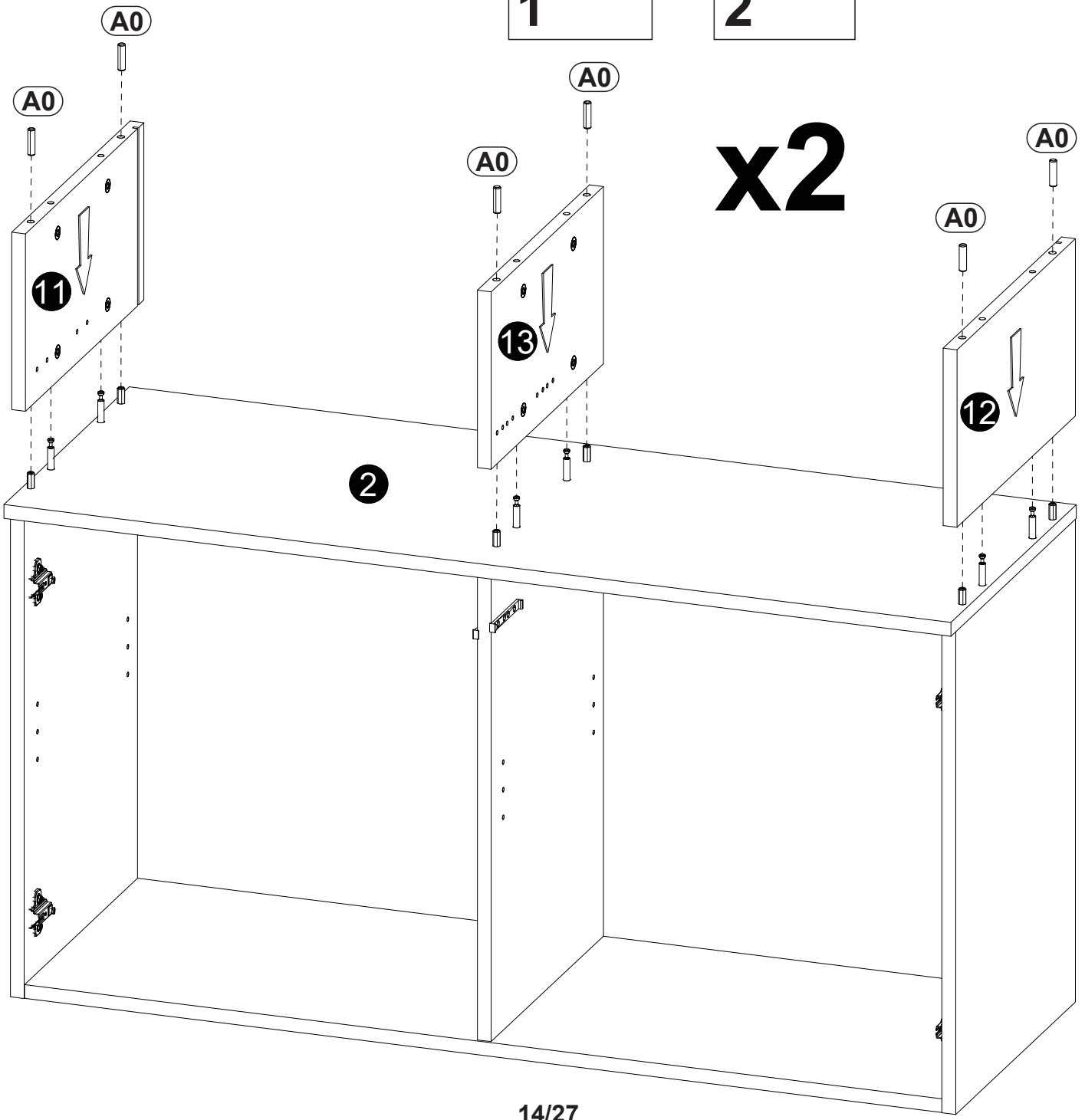
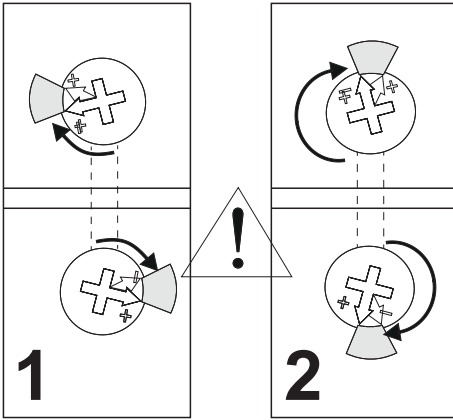
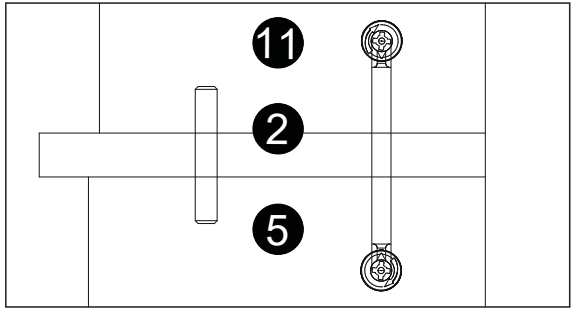
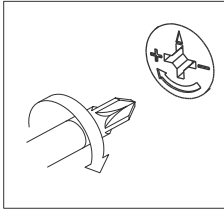
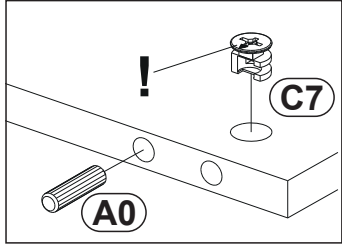
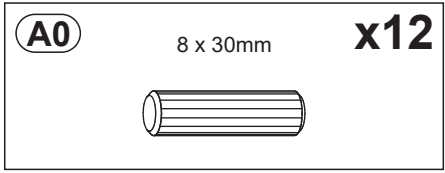


# 16

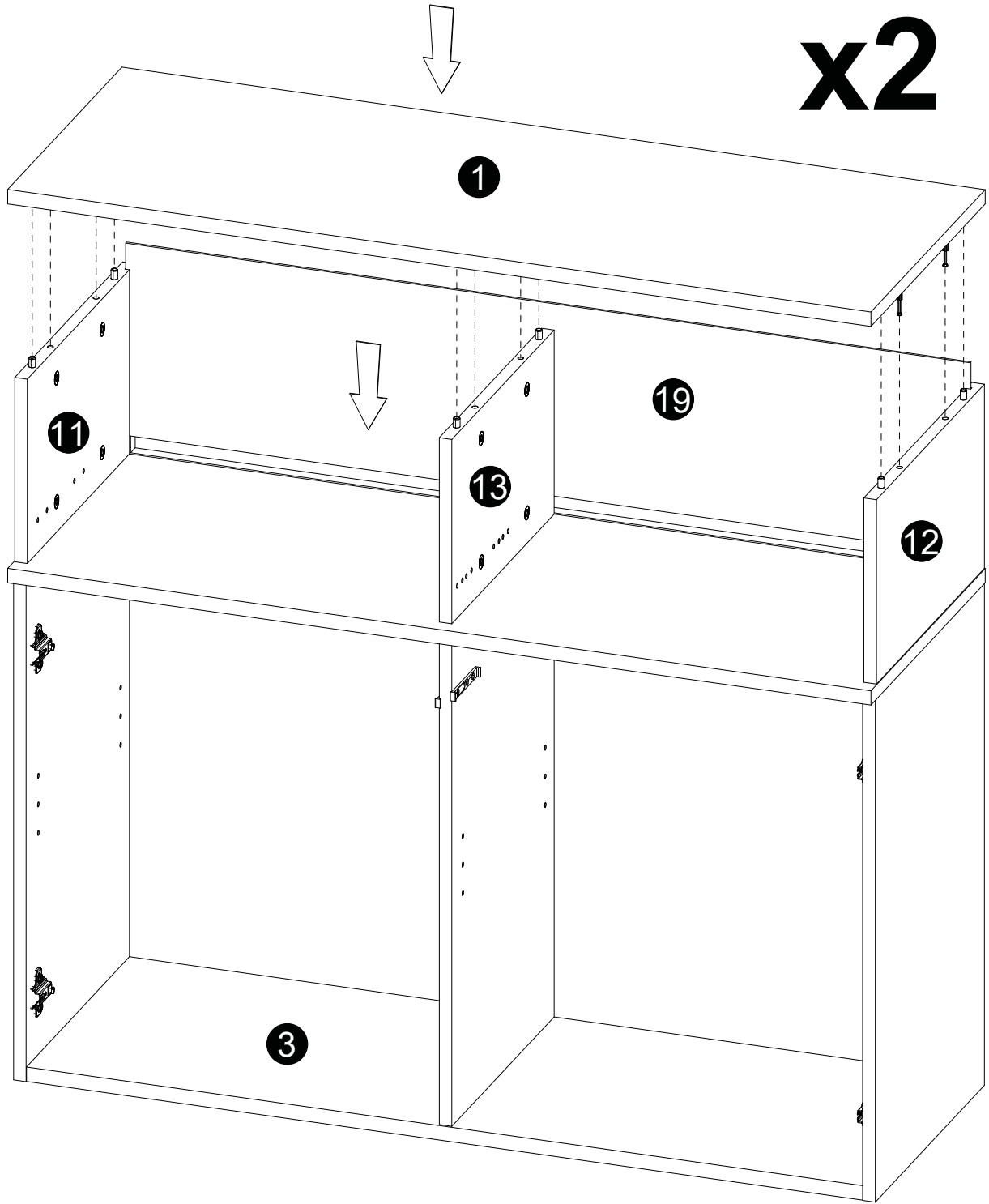
<b>(C8)</b>	L-84mm	<b>x12</b>	<b>(A1)</b>	8 x 50mm	<b>x12</b>
-------------	--------	------------	-------------	----------	------------



# 17

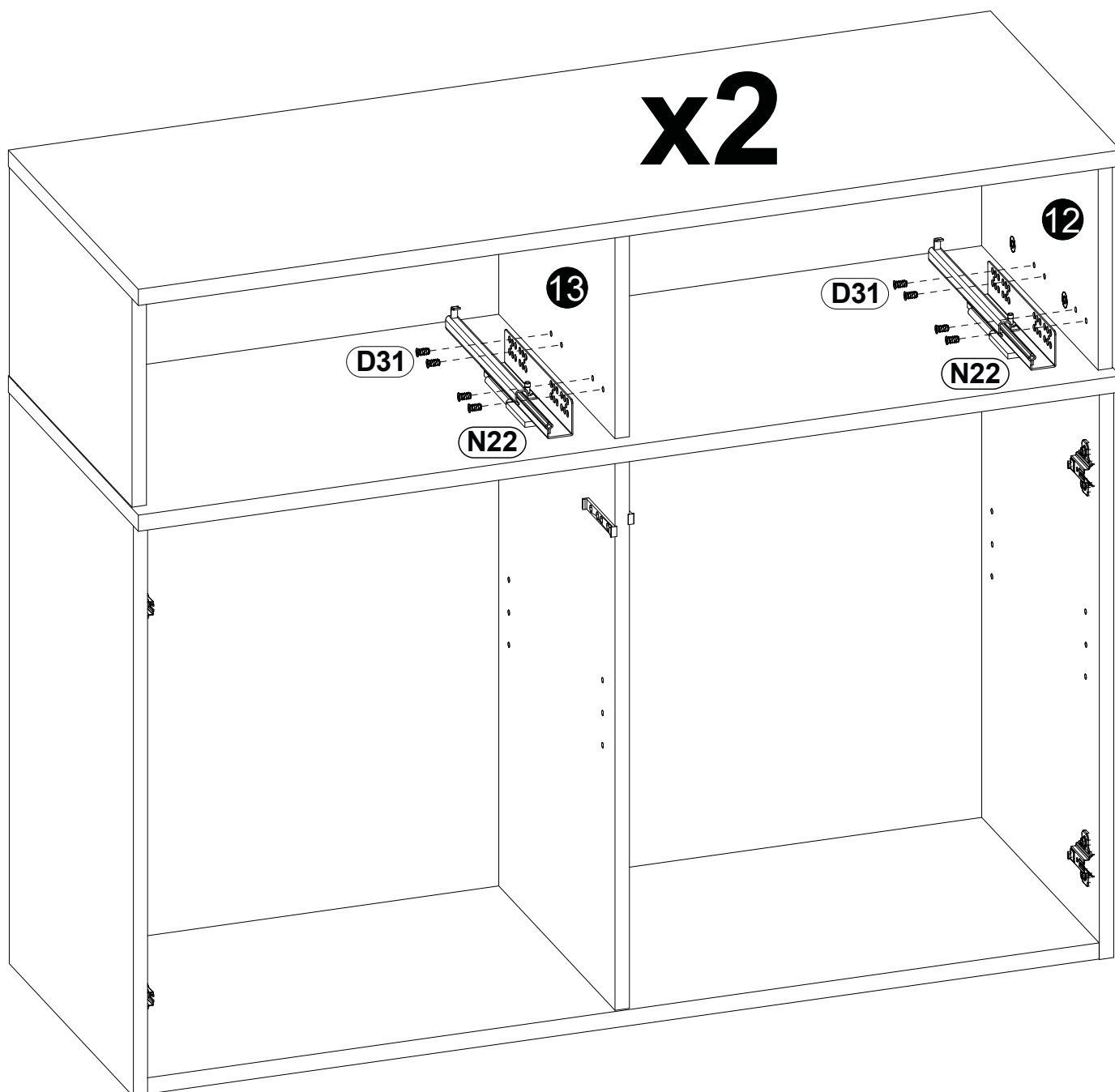
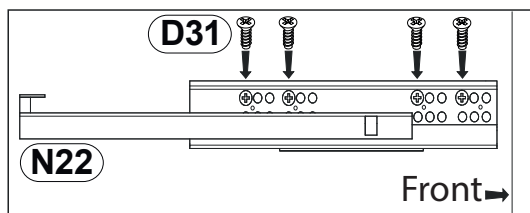
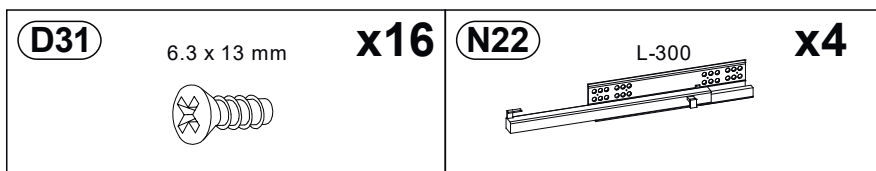


18



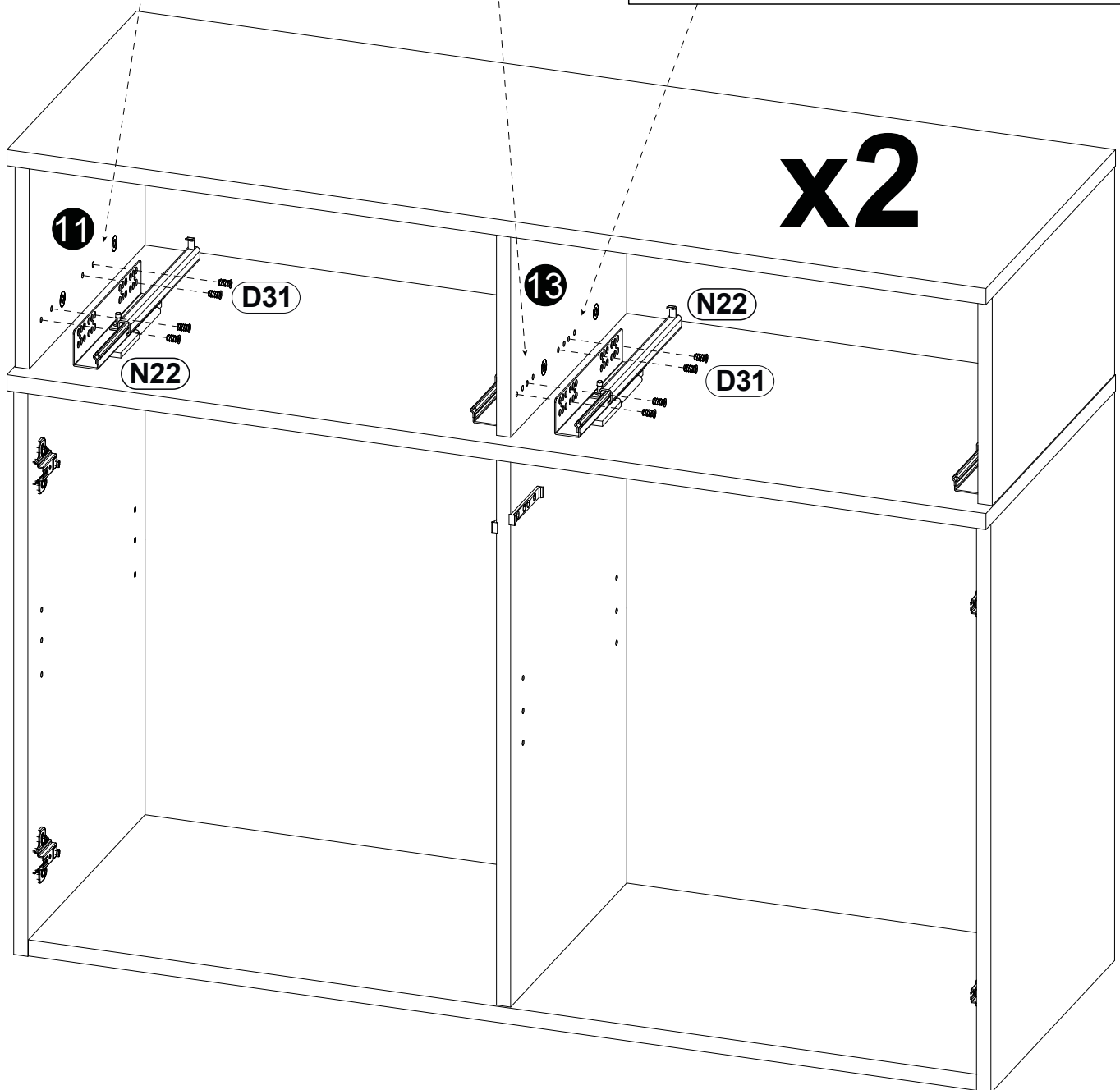
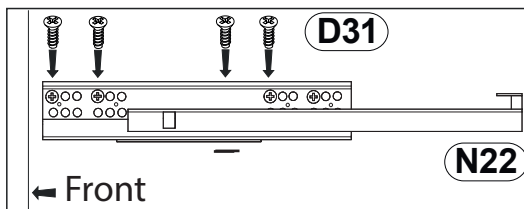
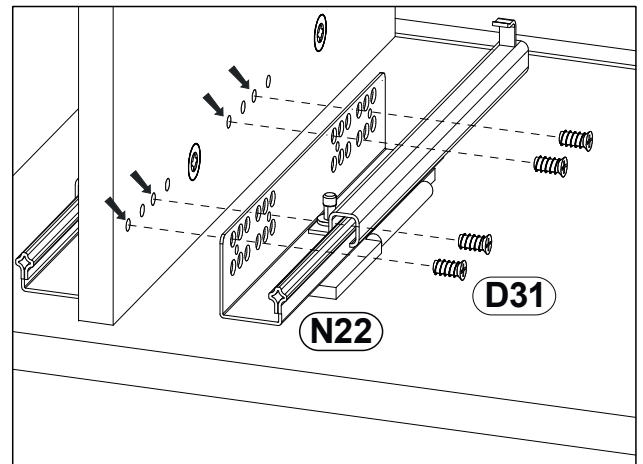
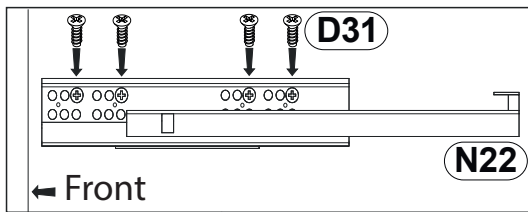
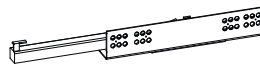
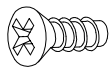
# 19

<b>D31</b>	6.3 x 13 mm	<b>x16</b>	<b>N22</b>	L-300	<b>x4</b>
------------	-------------	------------	------------	-------	-----------



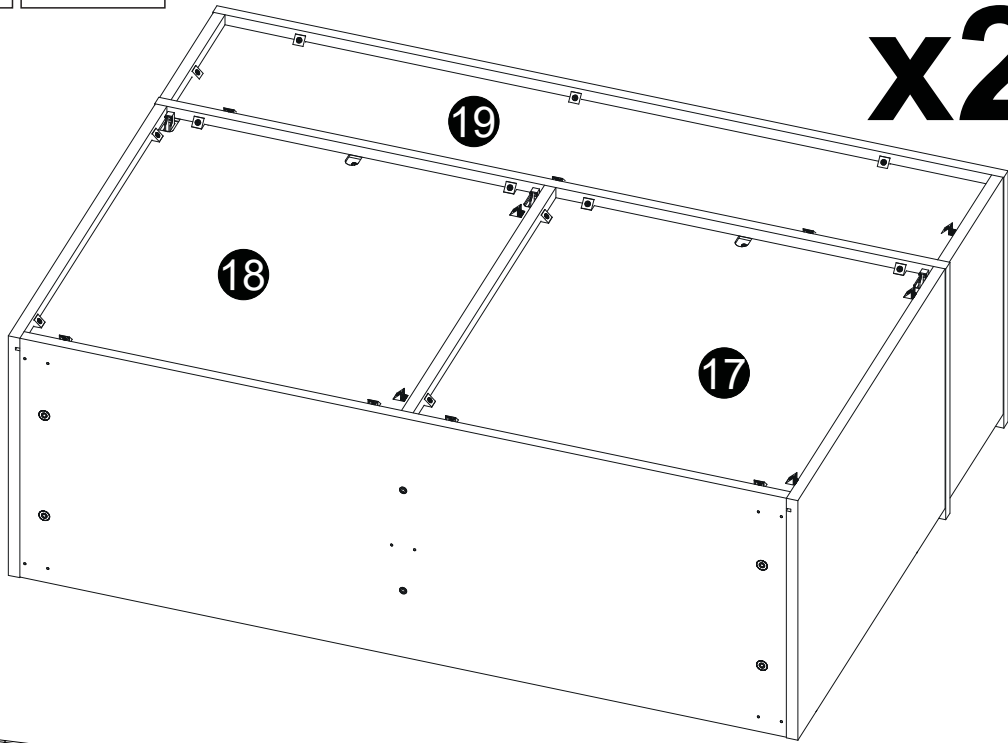
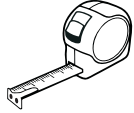
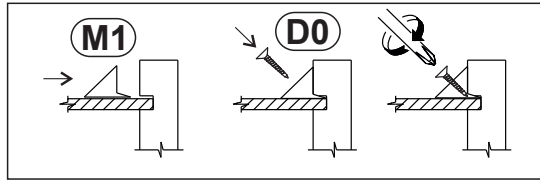
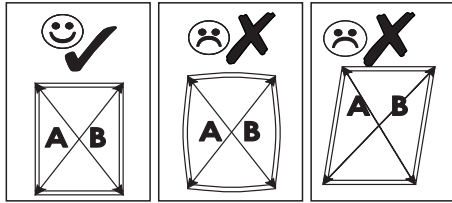
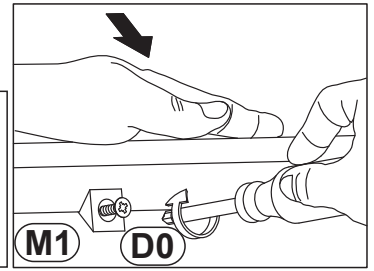
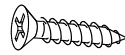
# 20

<b>D31</b>	6.3 x 13 mm	<b>x16</b>	<b>N22</b>	L-300	<b>x4</b>
------------	-------------	------------	------------	-------	-----------

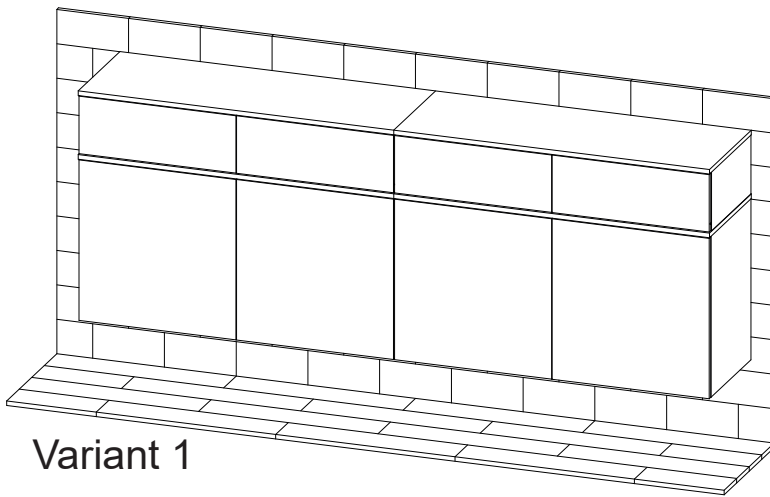


# 21

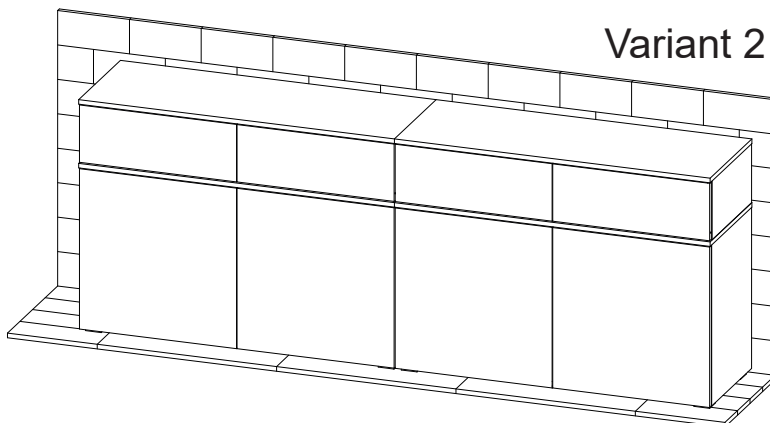
<b>(M1)</b>	<b>x48</b>	<b>(D0)</b>	3 x 15 mm	<b>x48</b>
-------------	------------	-------------	-----------	------------



# 22



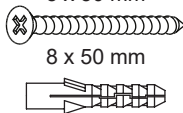
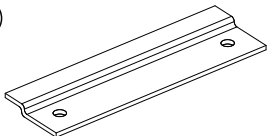
Variant 1

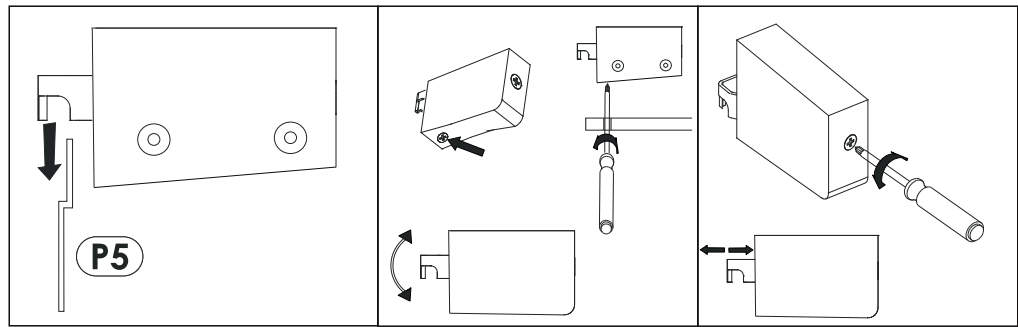
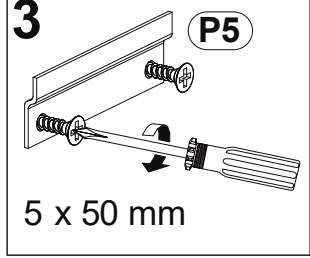
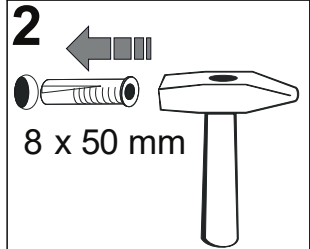
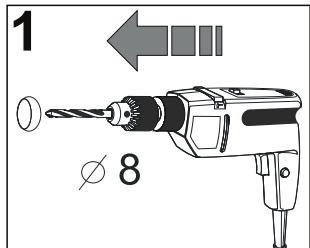
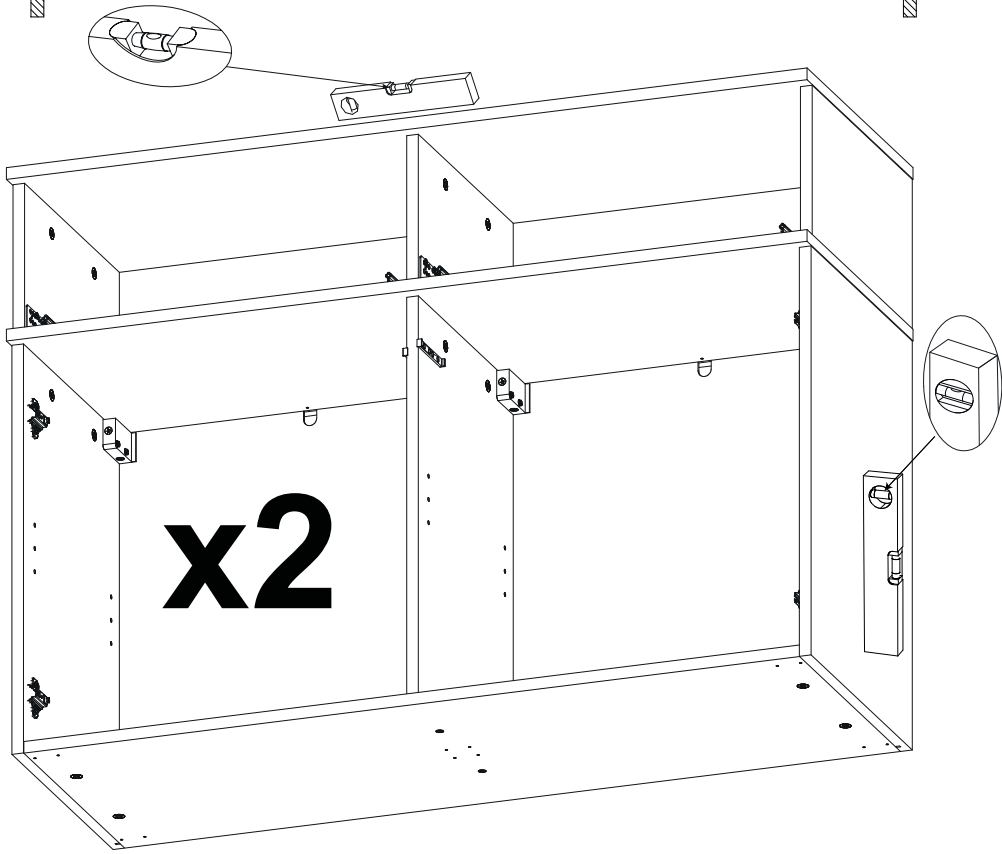
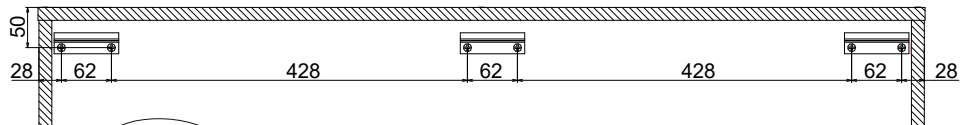
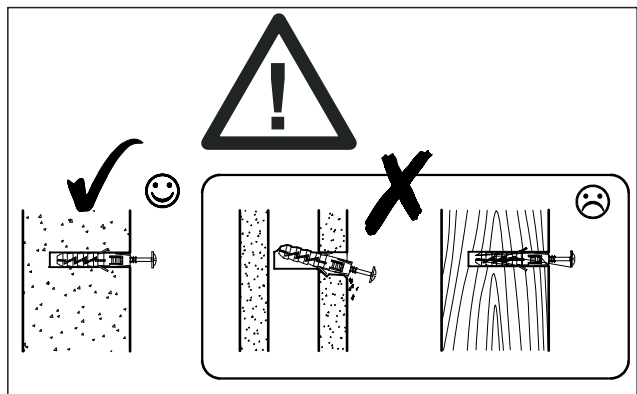
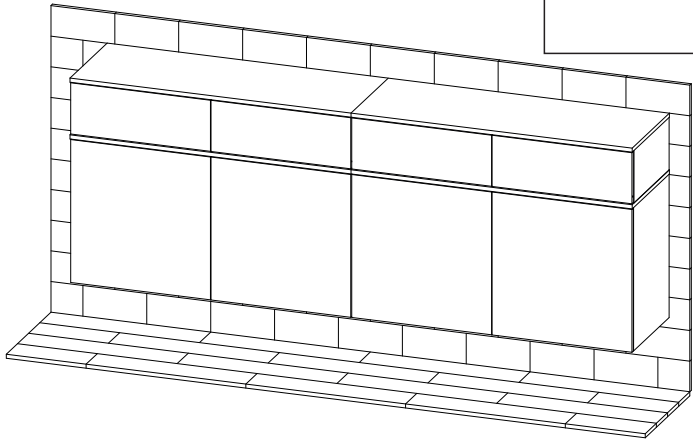


Variant 2

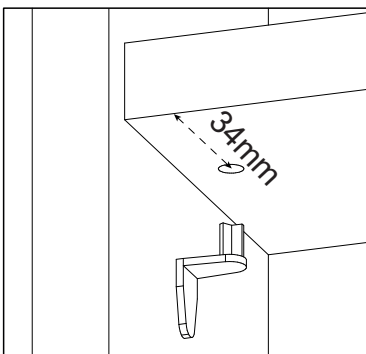
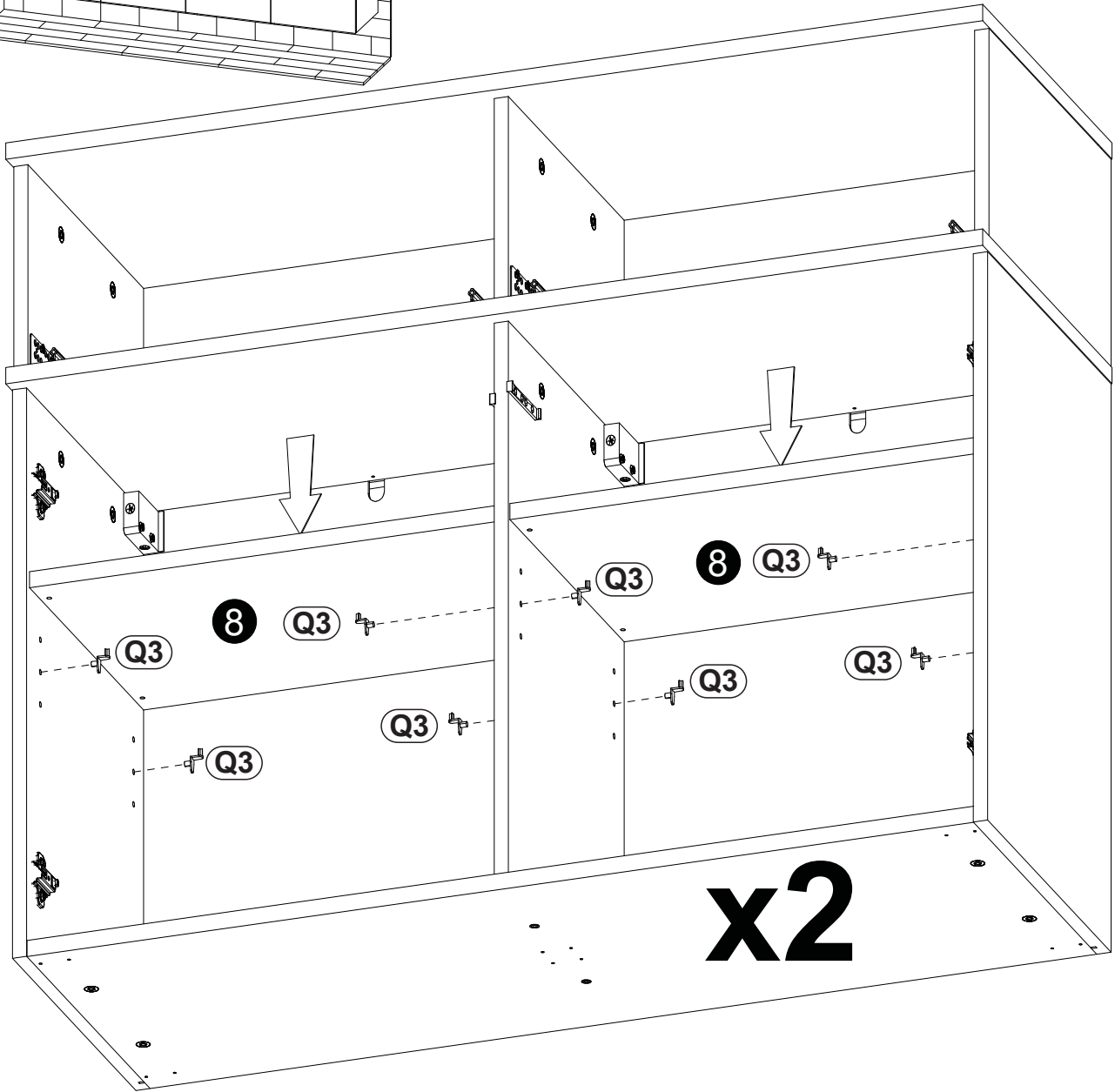
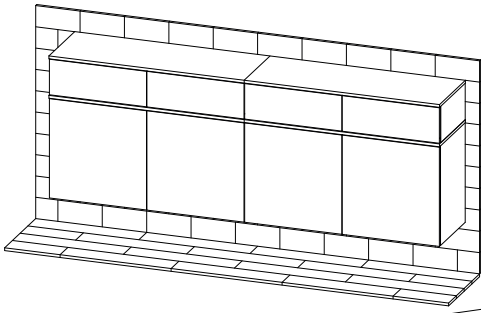
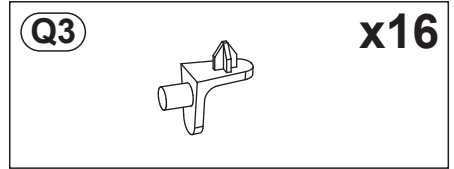


# 23 Variant 1

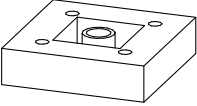
<b>E0</b>	5 x 50 mm 8 x 50 mm 	<b>x12</b>	<b>P5</b>		<b>x6</b>
-----------	---	------------	-----------	---	-----------

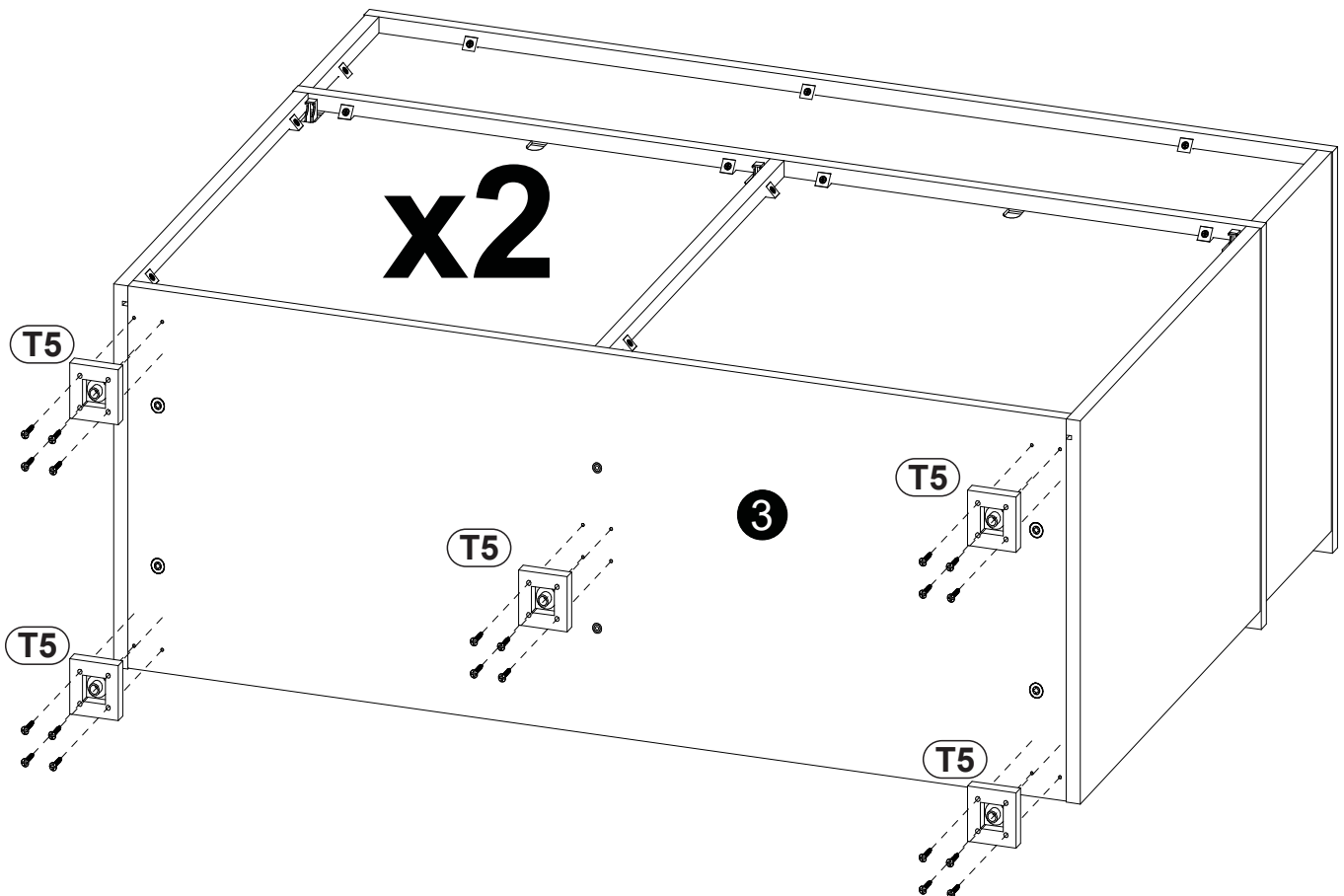
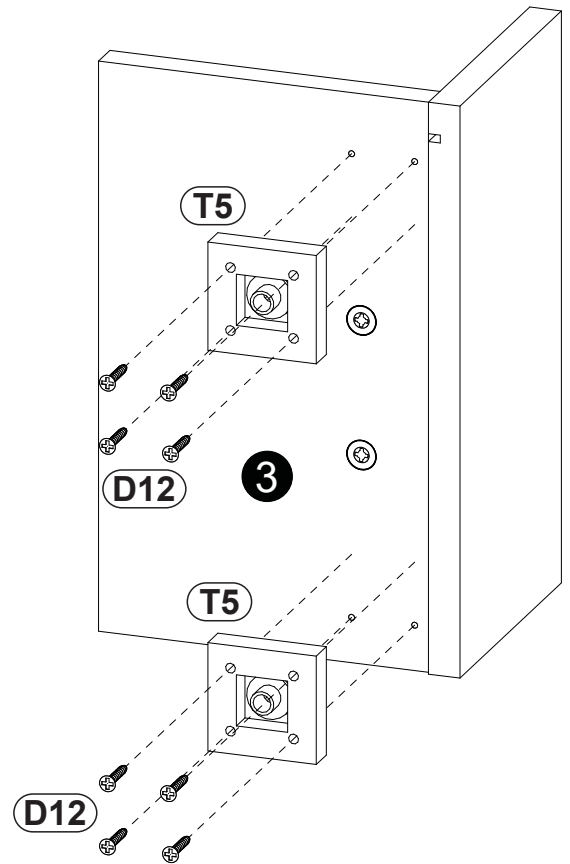
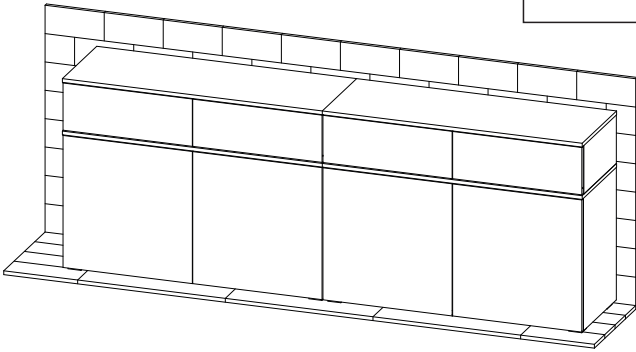


# 24 Variant 1

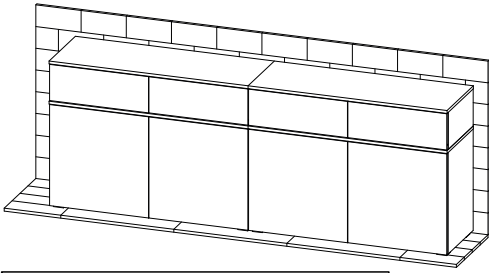


# 23 Variant 2

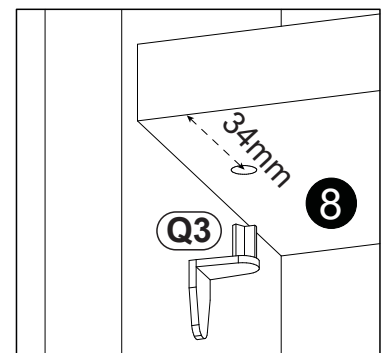
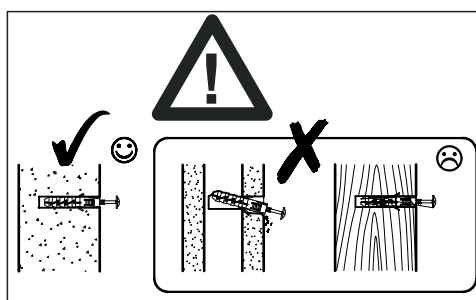
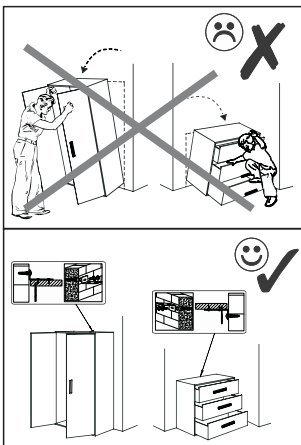
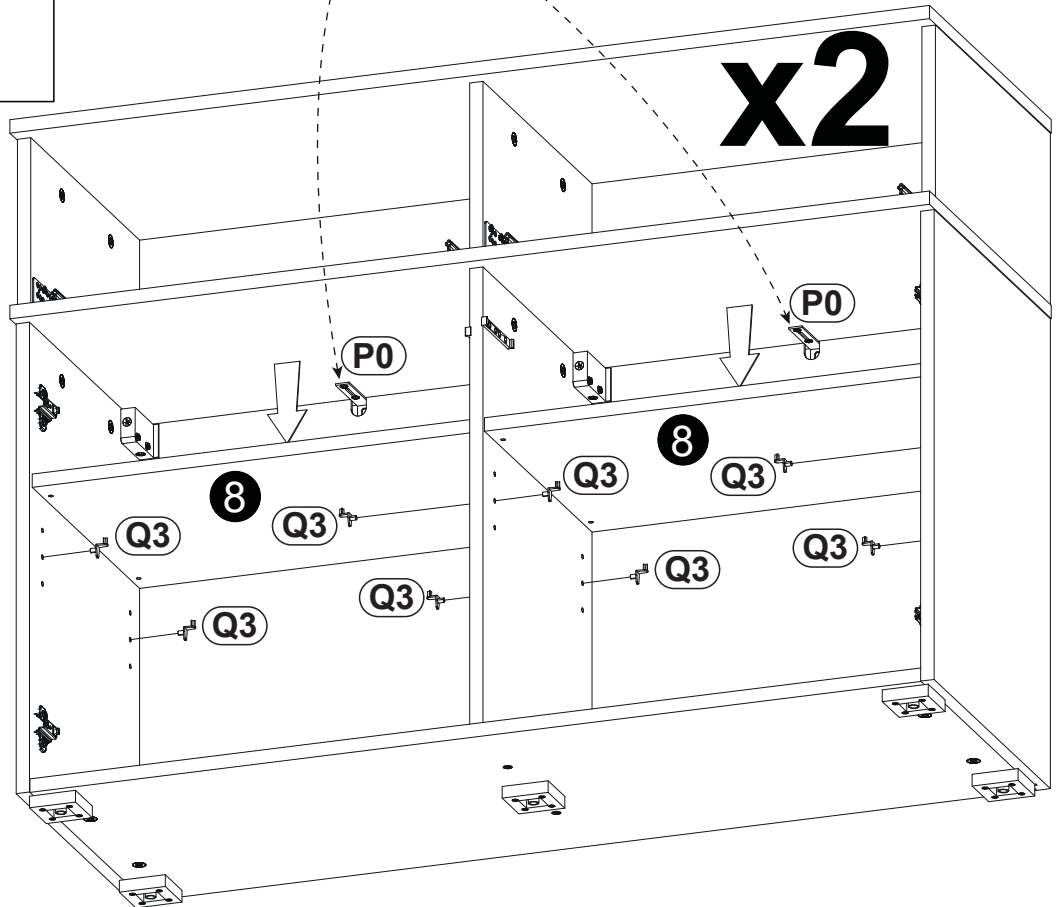
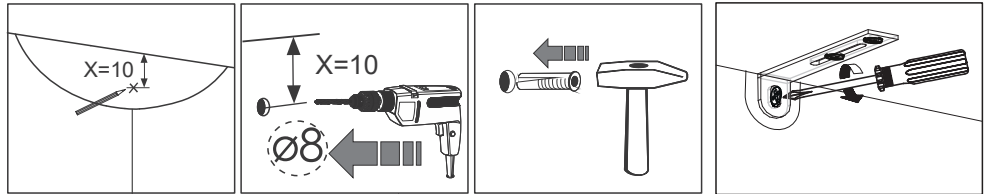
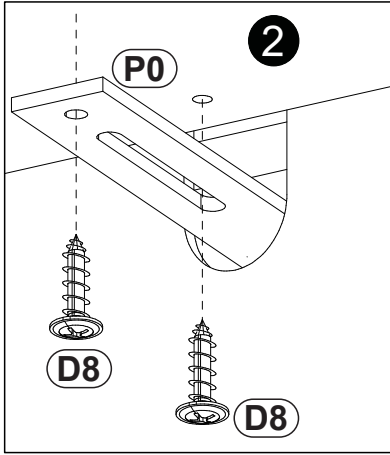
<b>D12</b>	3.5 x 25 mm	<b>x40</b>	<b>T5</b>		<b>x10</b>
------------	-------------	------------	-----------	---	------------



# 24 Variant 2



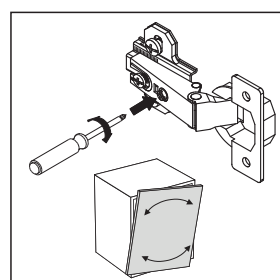
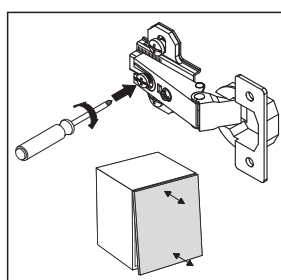
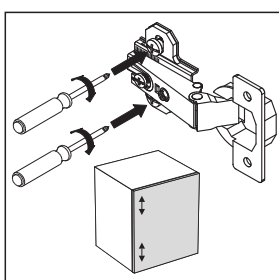
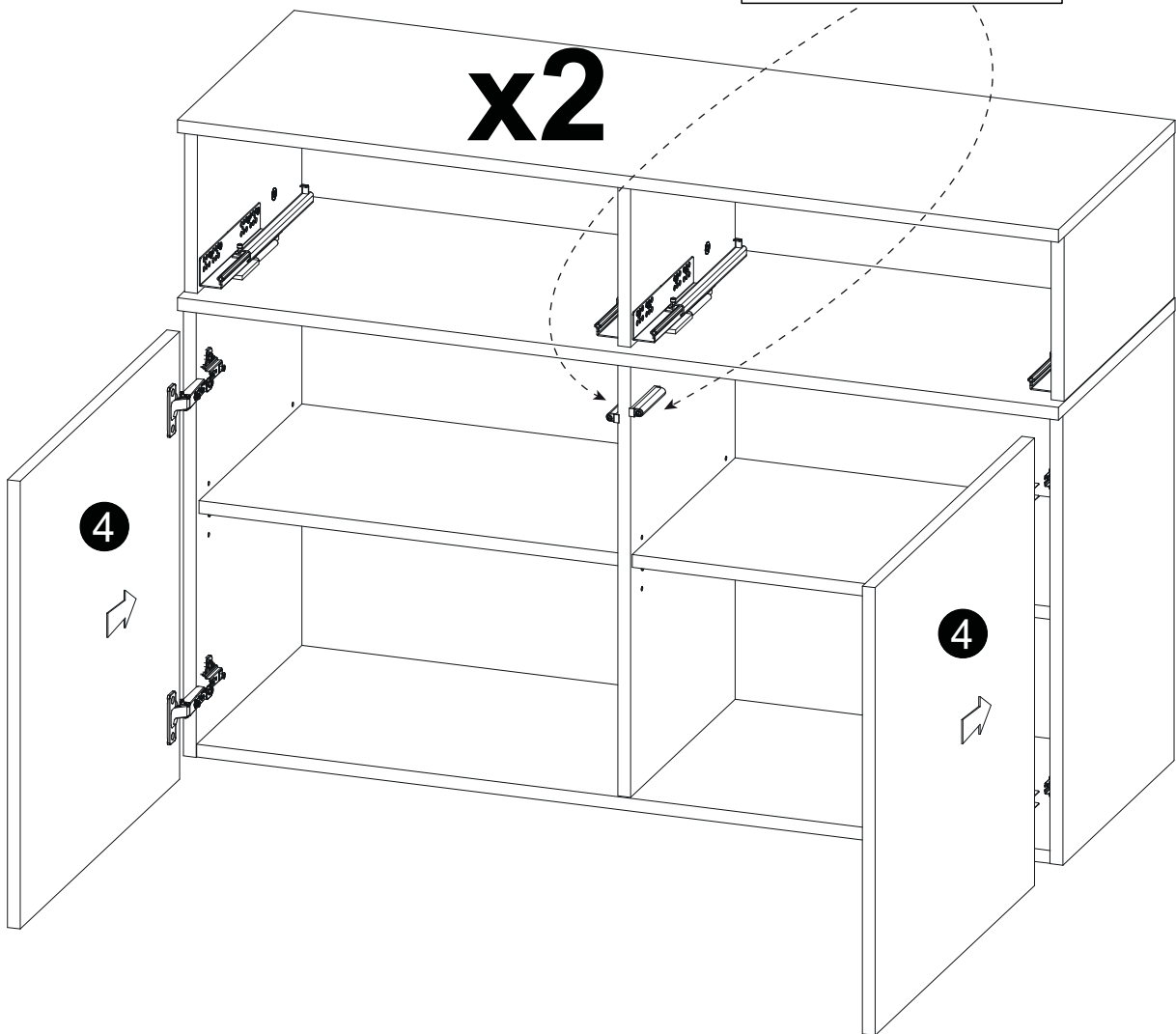
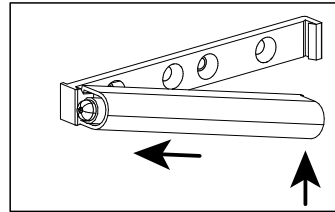
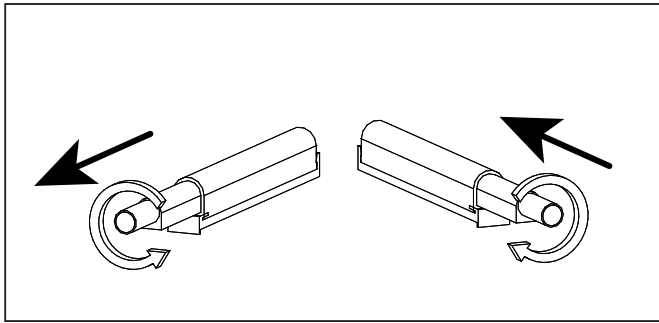
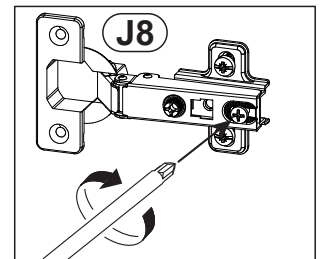
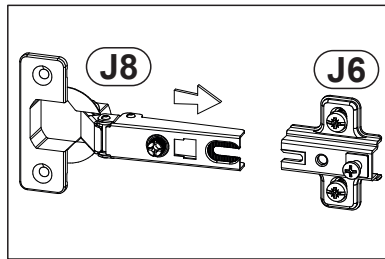
<b>E0</b>	5 x 50 mm 8 x 50 mm 	<b>x4</b>	<b>Q3</b>		<b>x16</b>
<b>D8</b>	4.2 x 13 mm 	<b>x8</b>	<b>P0</b>		<b>x4</b>



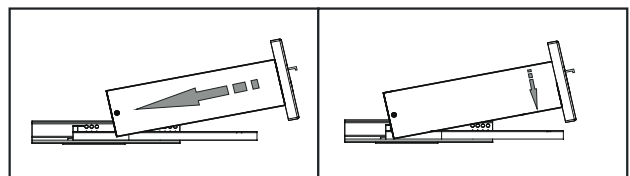
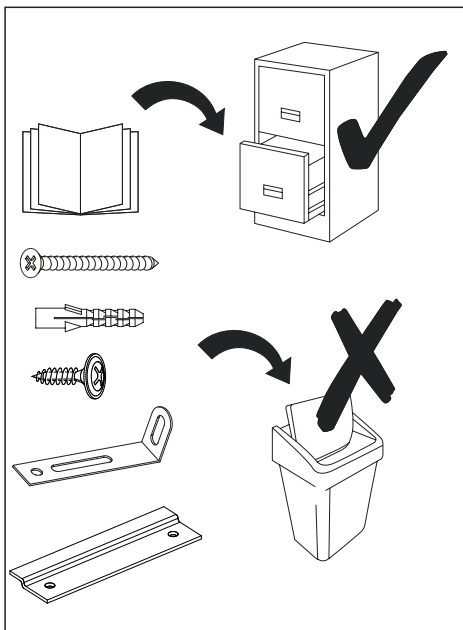
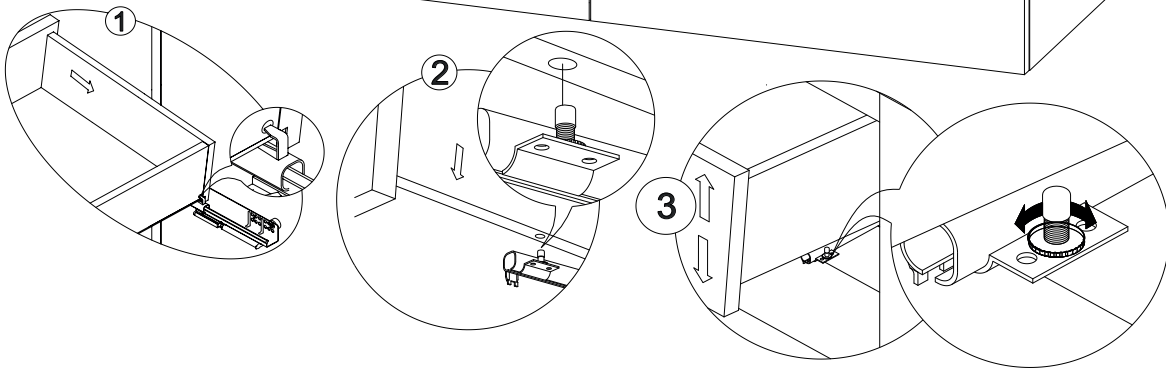
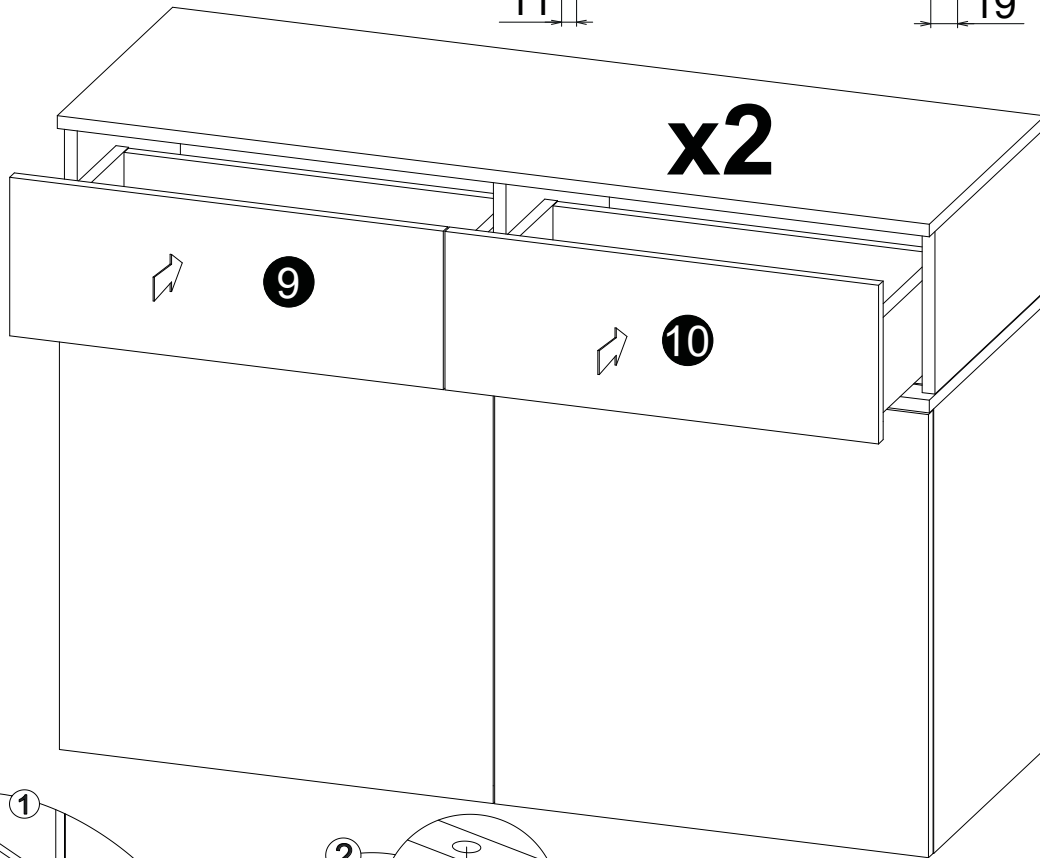
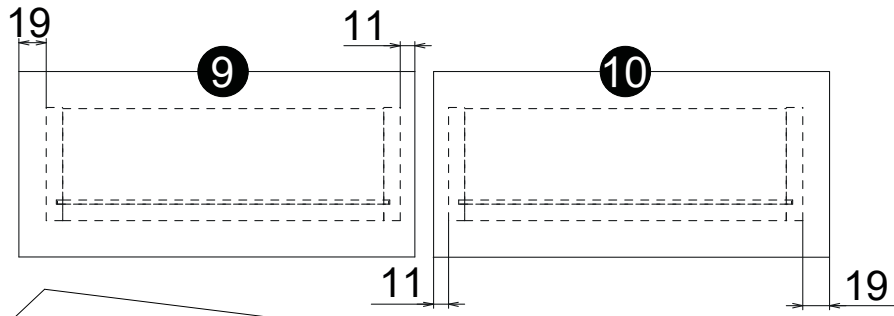
25

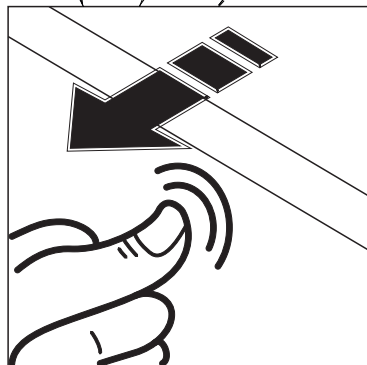
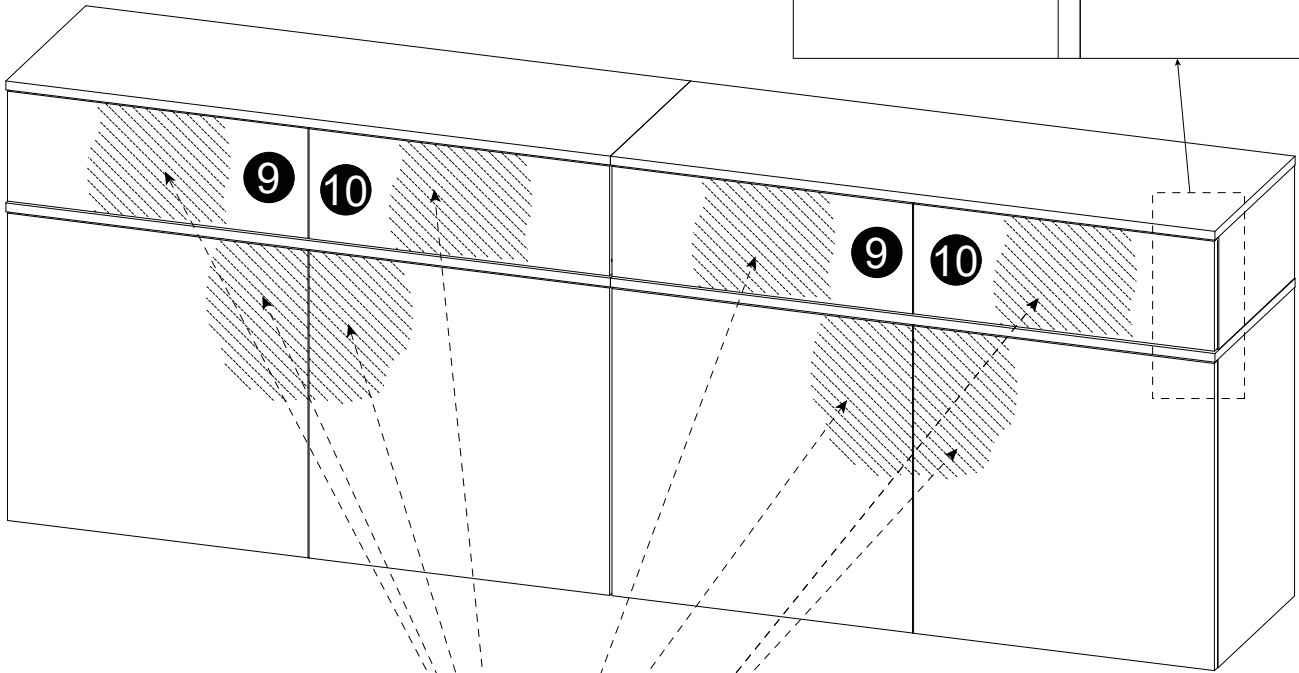
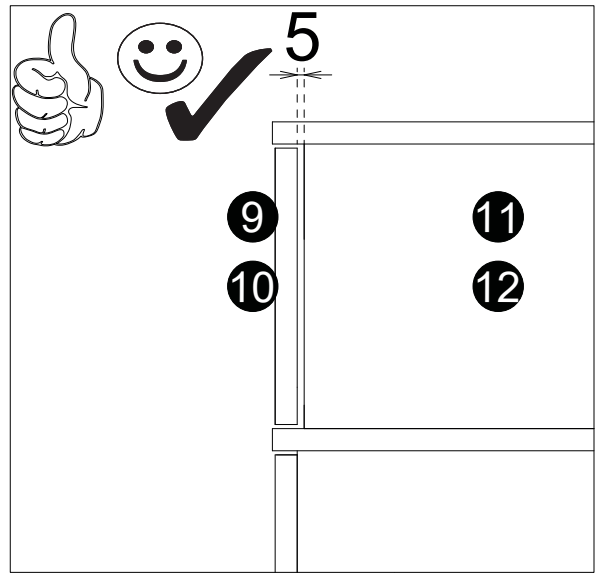
F7

x4

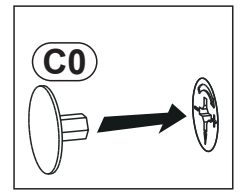
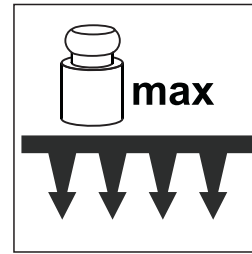
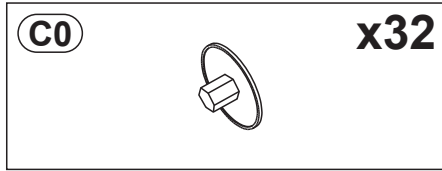


# 26

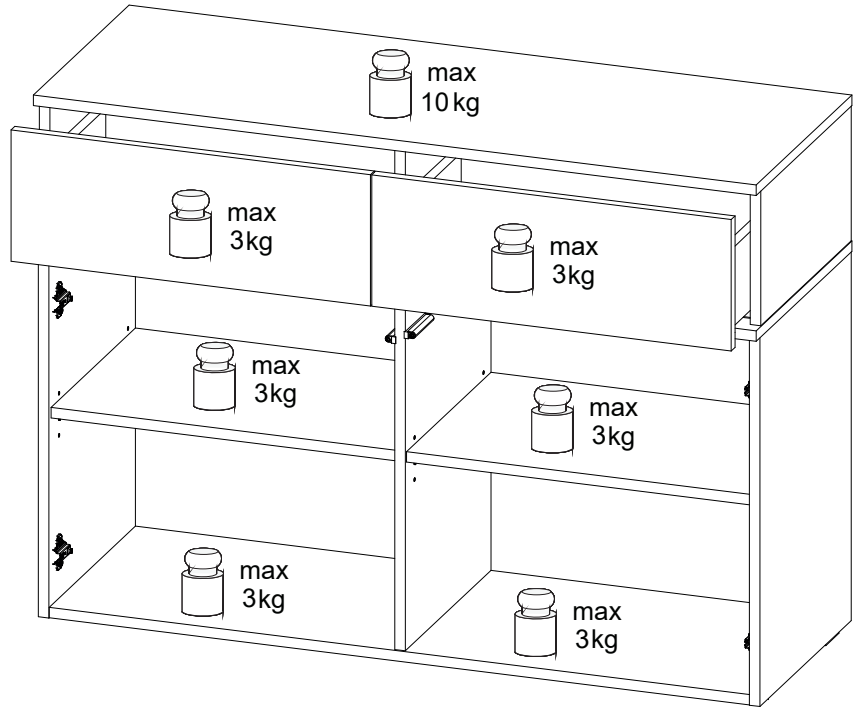
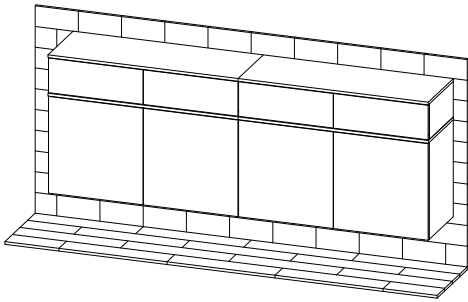




# 28



## Variant 1



## Variant 2

