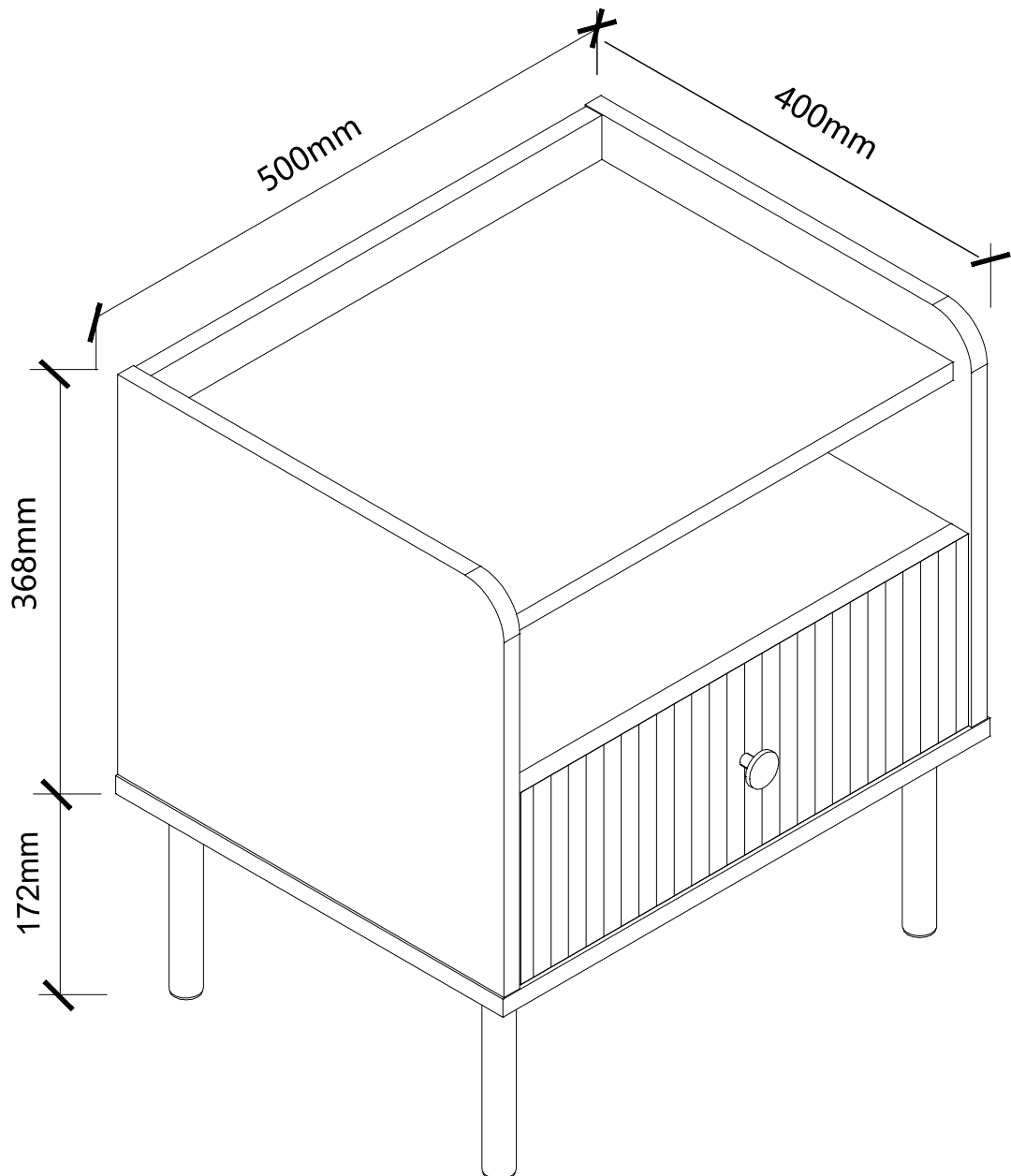
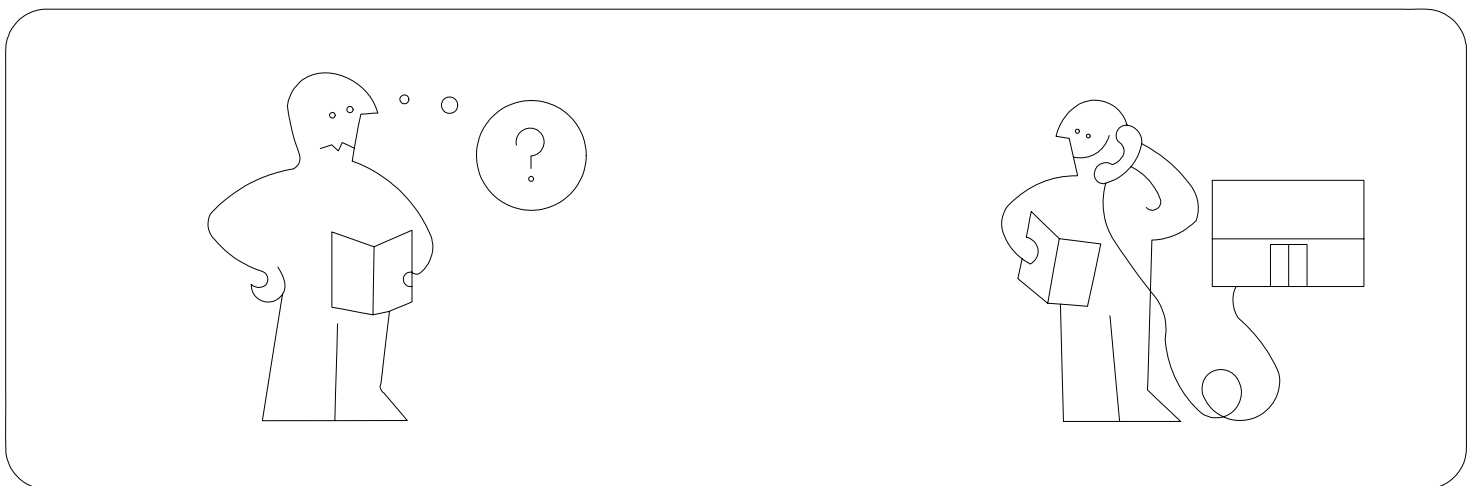
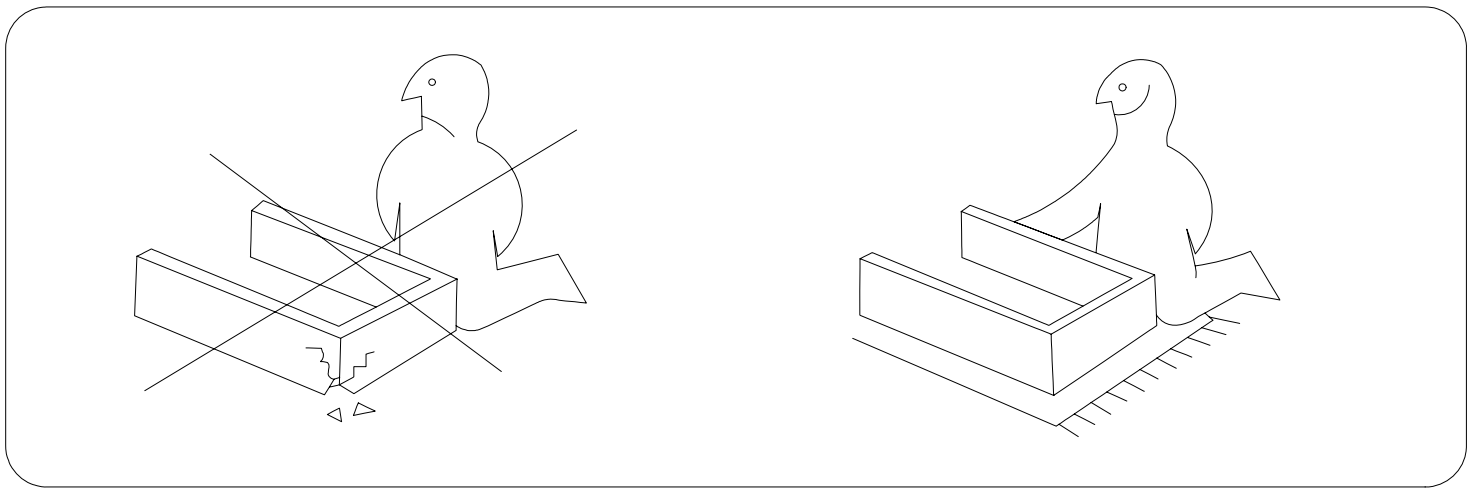
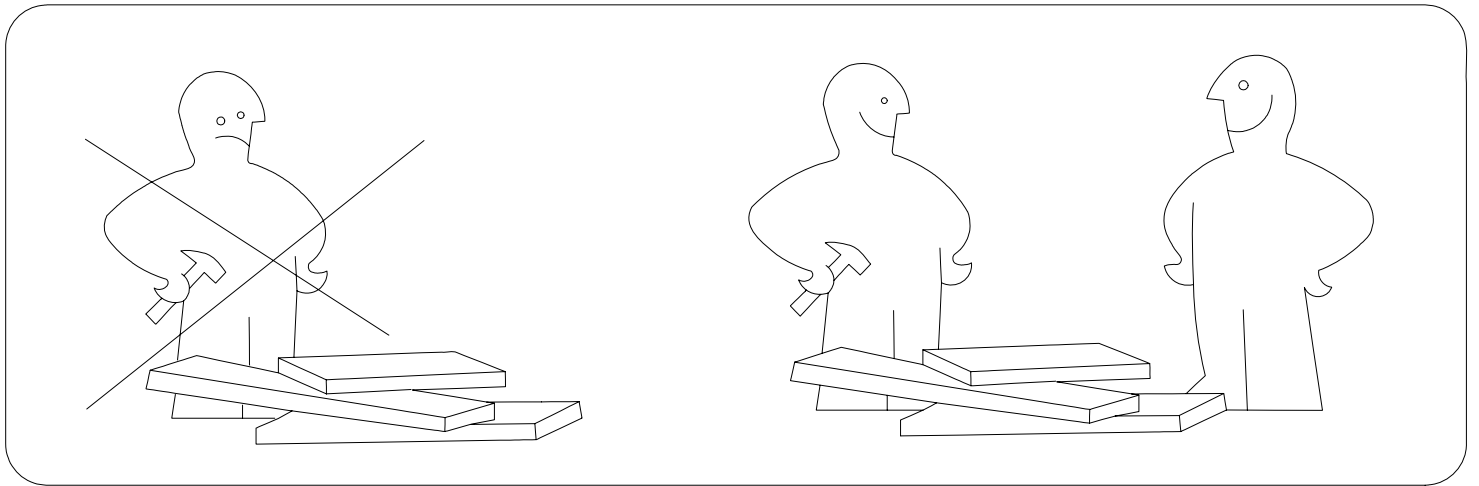
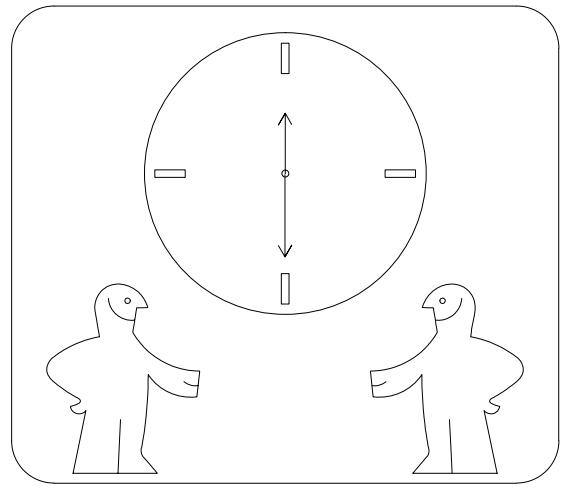
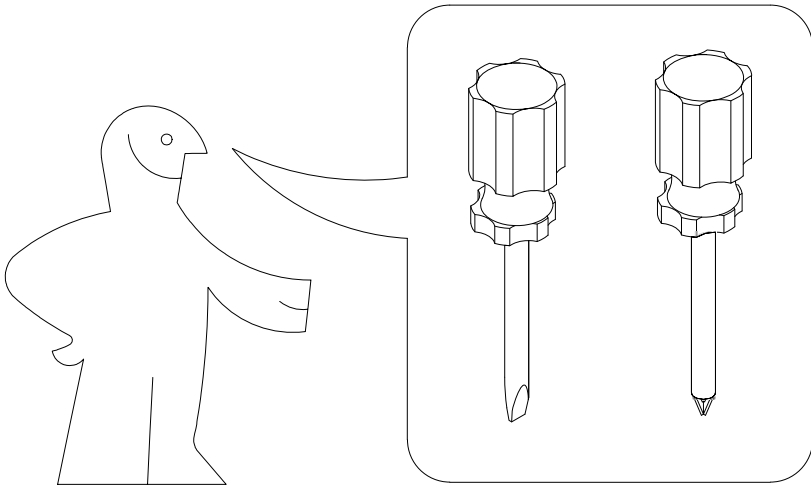
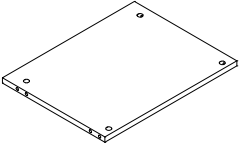
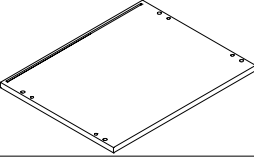
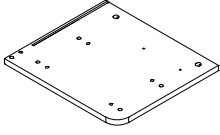
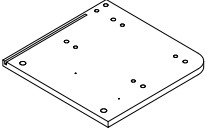
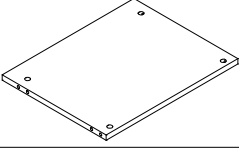
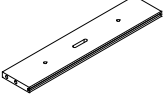
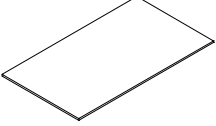
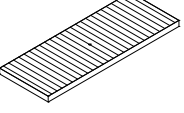
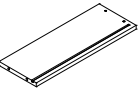
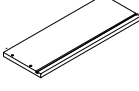
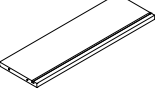
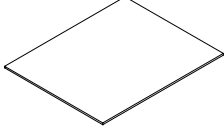


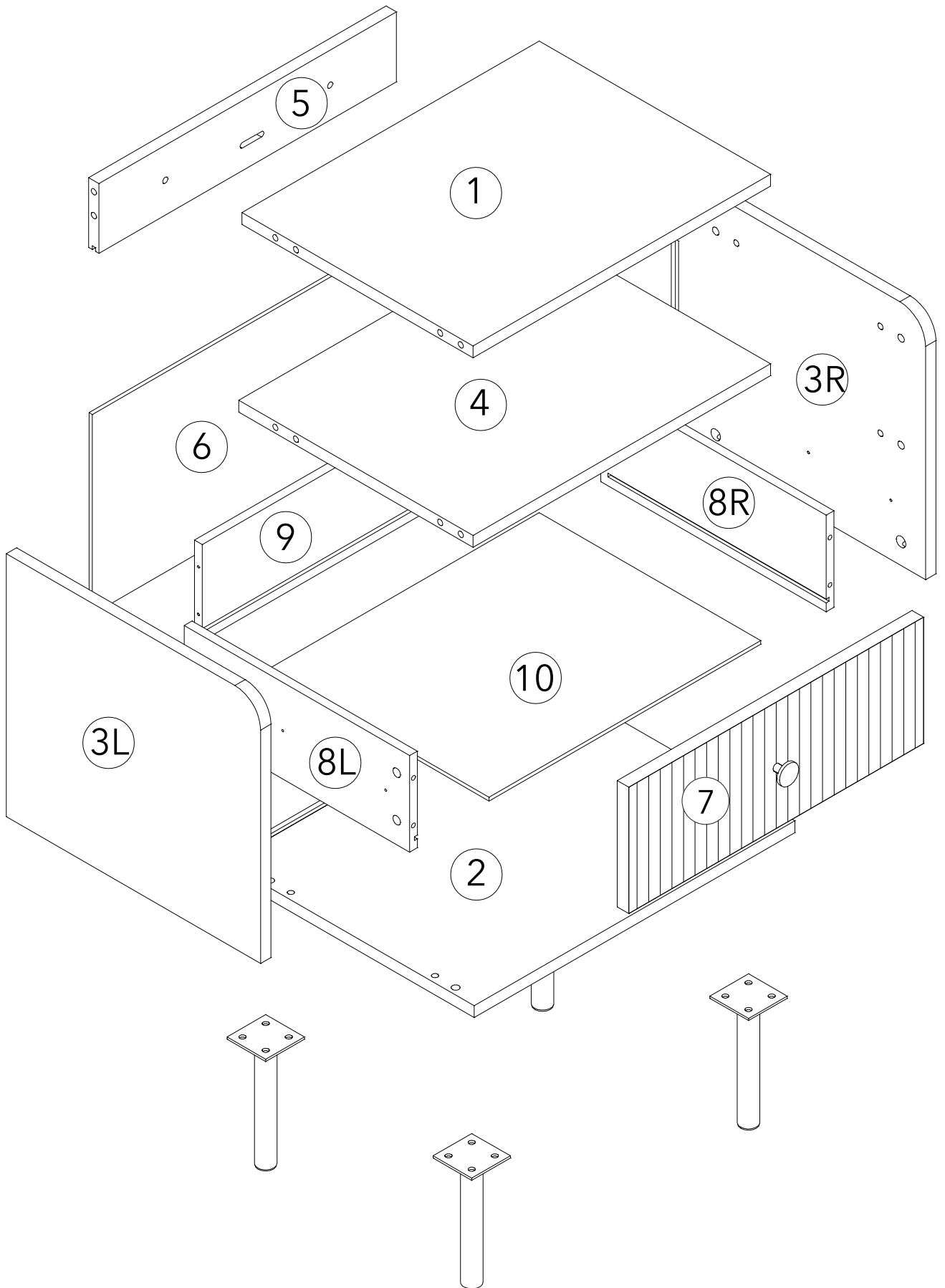
24790002/01
24790002/11




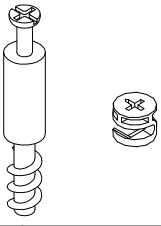
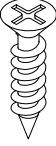
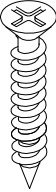
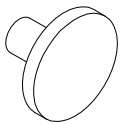
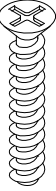
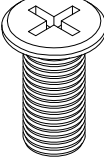
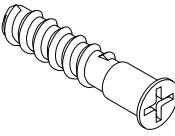
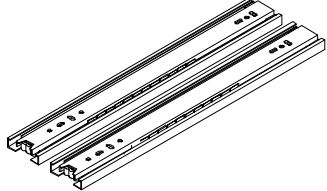
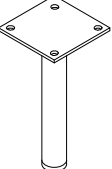
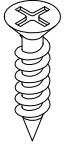
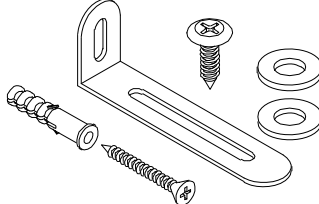

XXXLUTZ KG
Roemerstrasse 39
AT-4600 Wels, Austria
E-Mail: info@xxxlutz.at

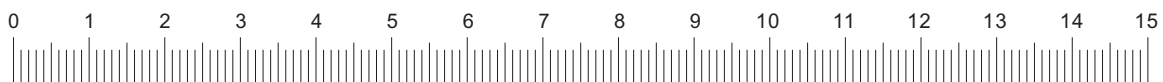




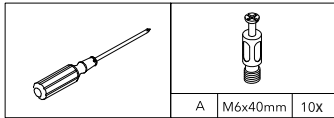
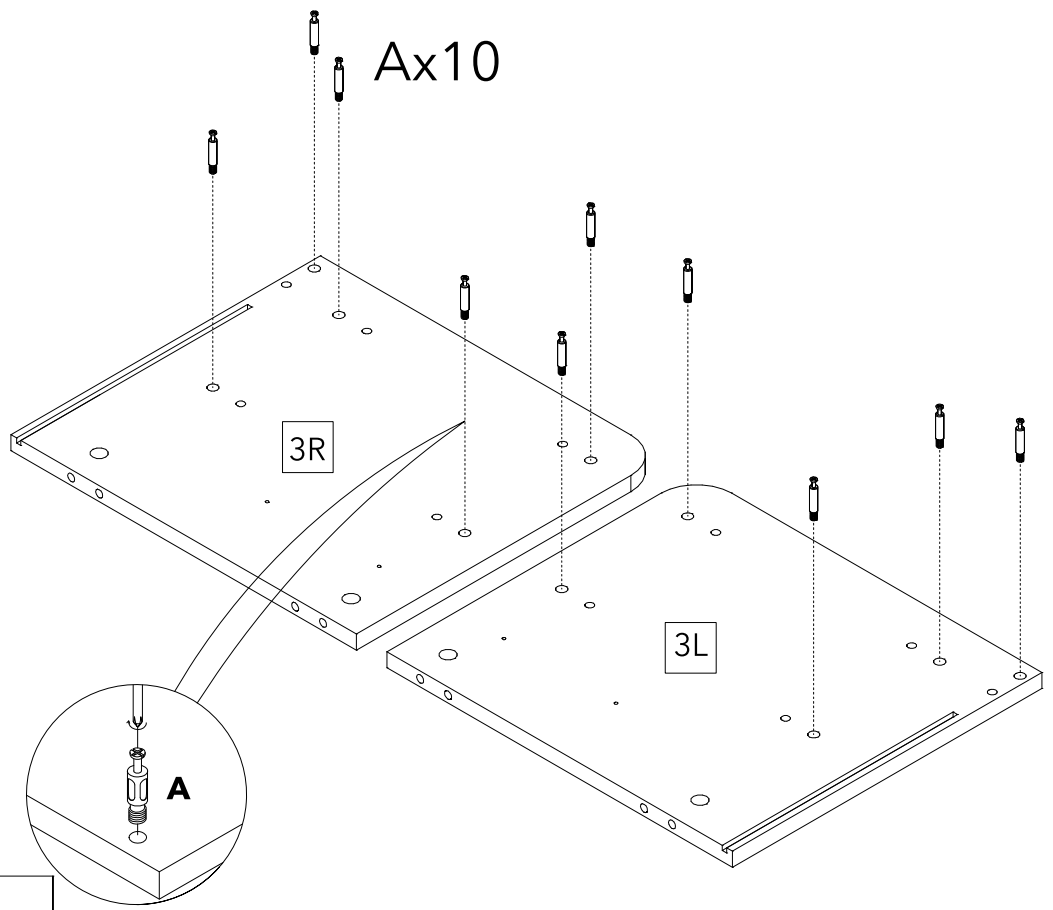
1	462x359x16		1
2	498x396x16		1
3L	354x395x16		1
3R	354x395x16		1
4	462x364x16		1
5	462x94x16		1
6	472x269x5		1
7	458x170x18		1
8L	350x130x12		1
8R	350x130x12		1
9	413x130x12		1
10	423x344x5		1



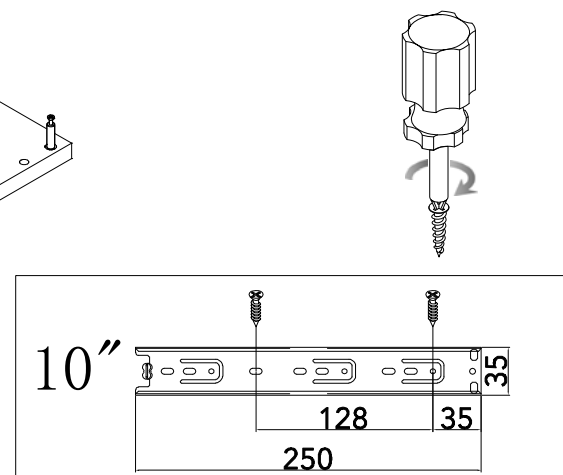
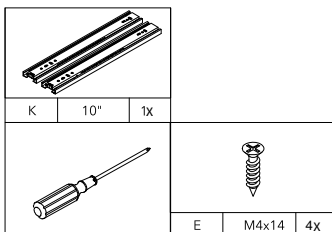
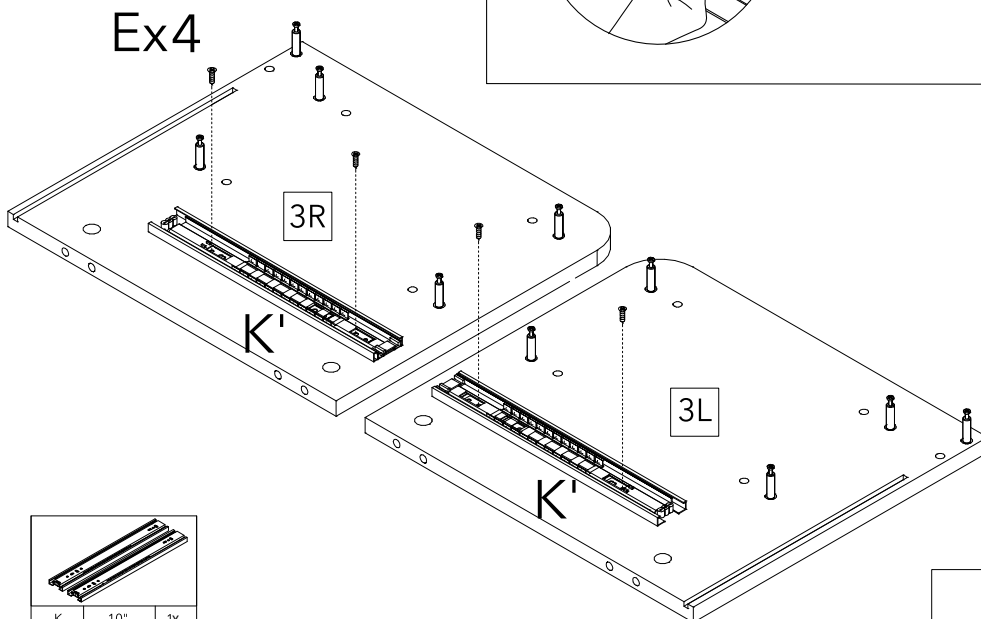
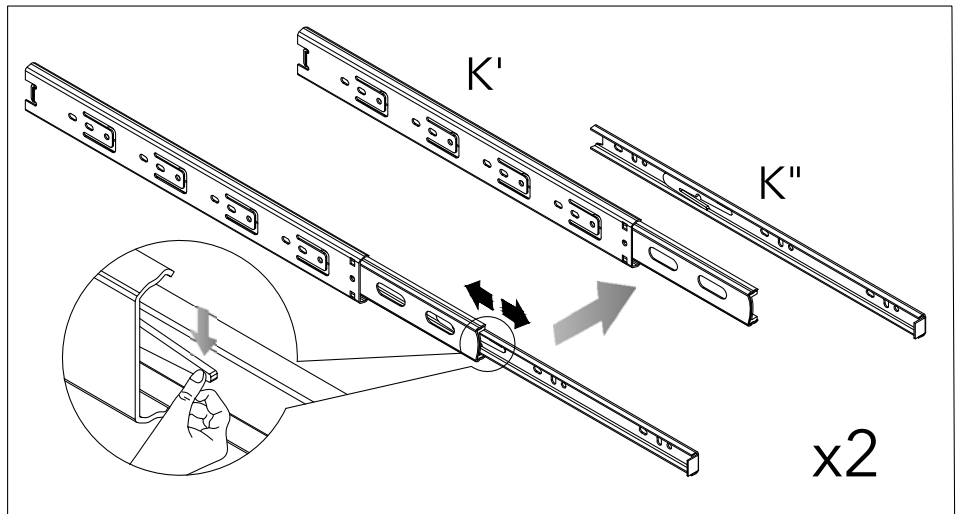
								
A	M6x40mm	14X	B	Φ15x11.5	14X	C	Φ8x30	14X
								
D	Φ12x10mm	4X	E	M4x14	8X	F	M4x30	4X
								
G	/	1X	H	M4x22mm	1X	I	M6x12mm	16X
								
J	M7x50mm	2X	K	10"	1X	L	H=172	4X
								
N	M3x12	4X	P	/	1X	Z	Φ20	18X



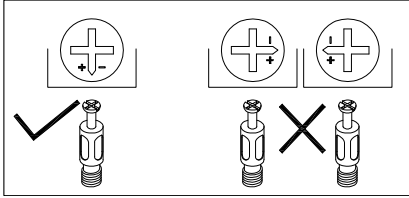
1



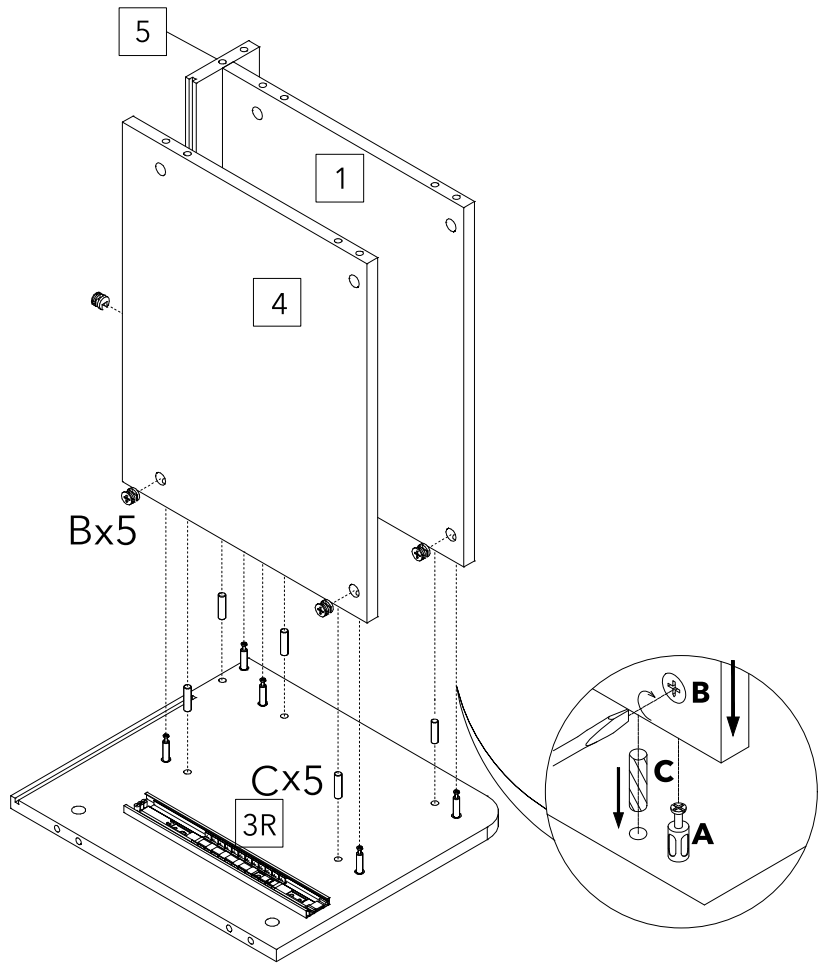
2



3

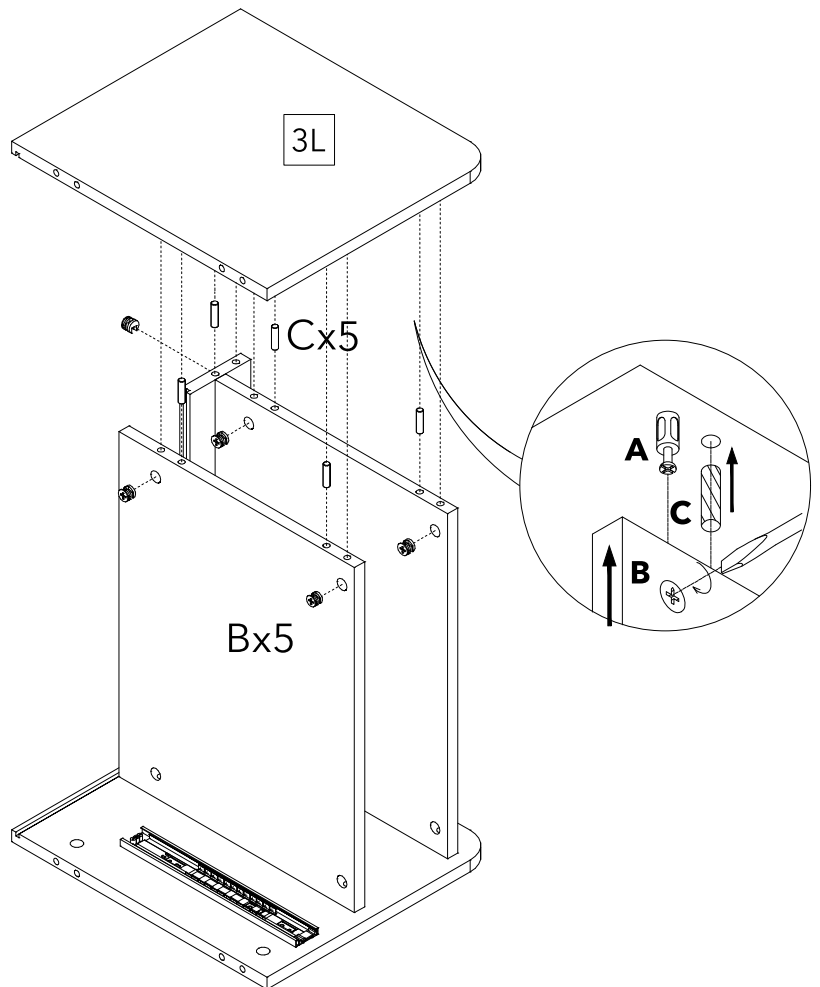


	B	Φ15x11.5	5X	
	C	Φ8x30	5X	

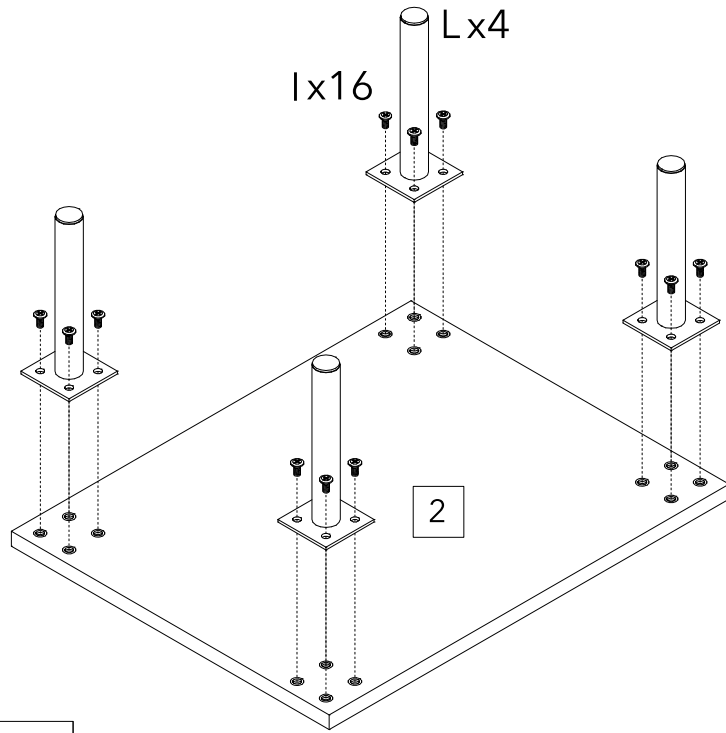





4

	B	Φ15x11.5	5X	
	C	Φ8x30	5X	

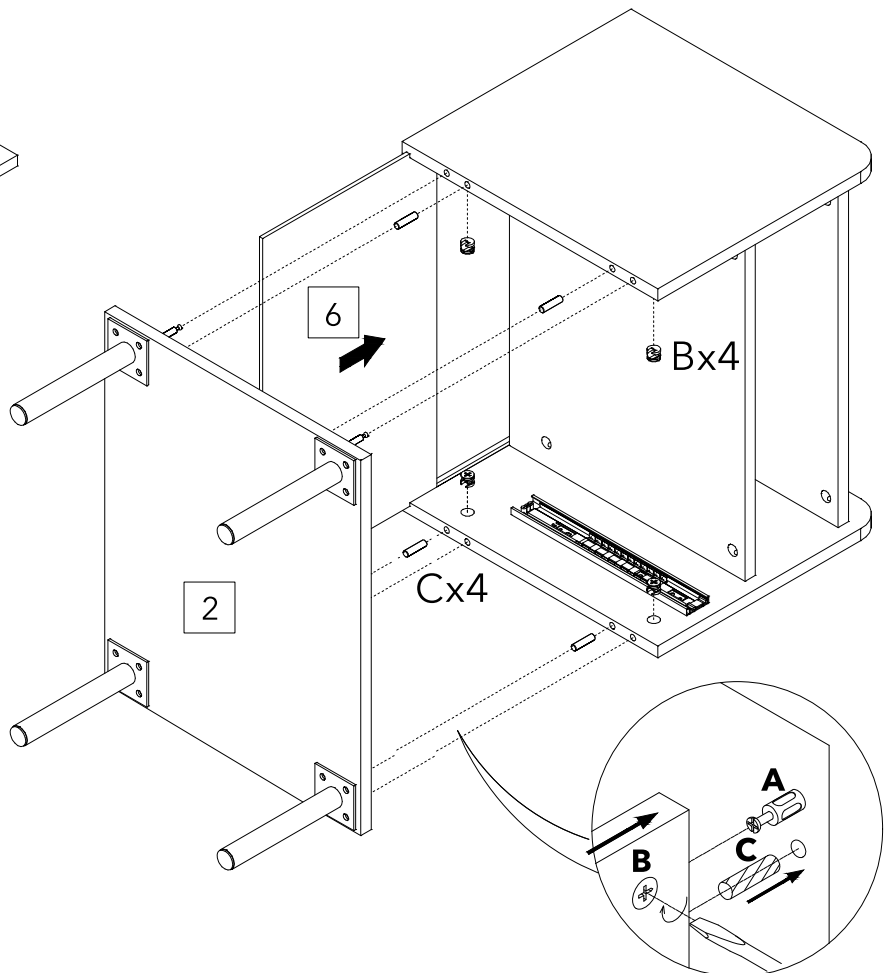
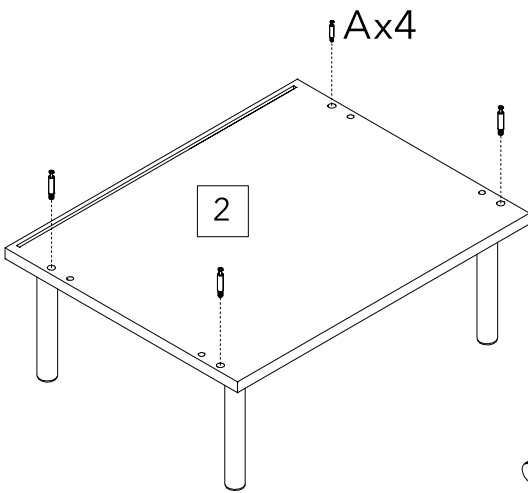


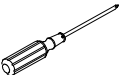




5



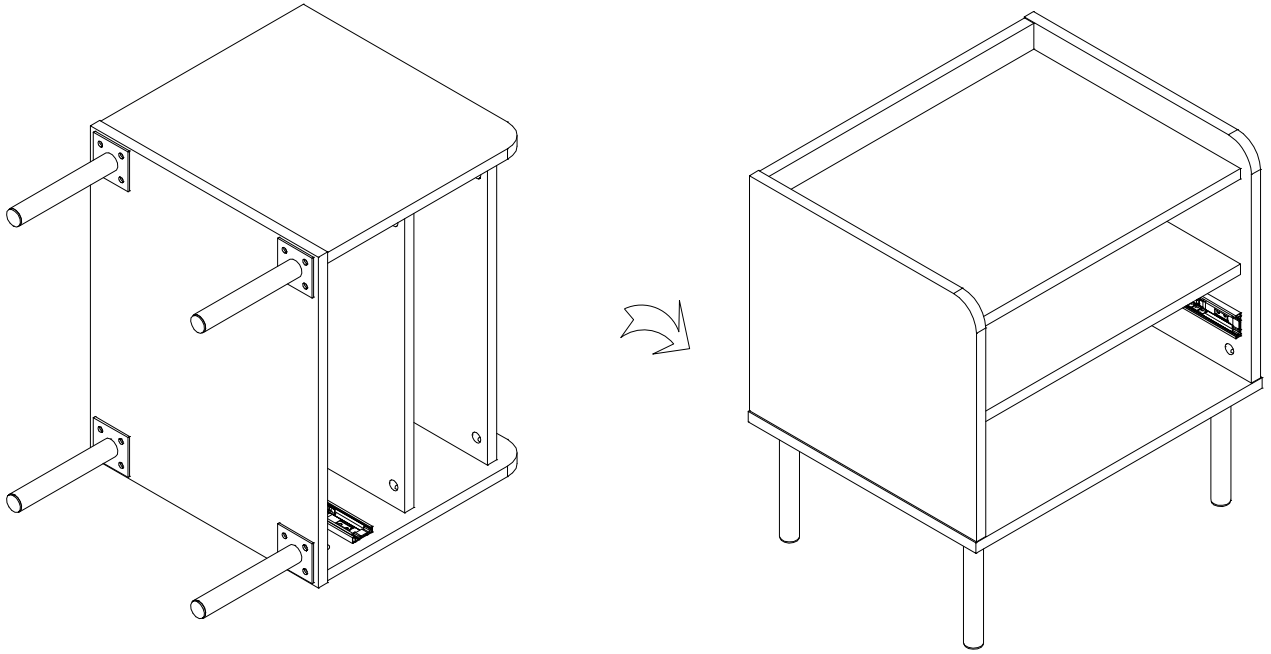
		
	I M6x12mm 16X	L H=172 4X

6

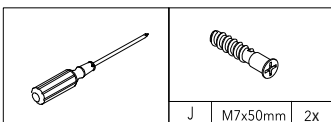
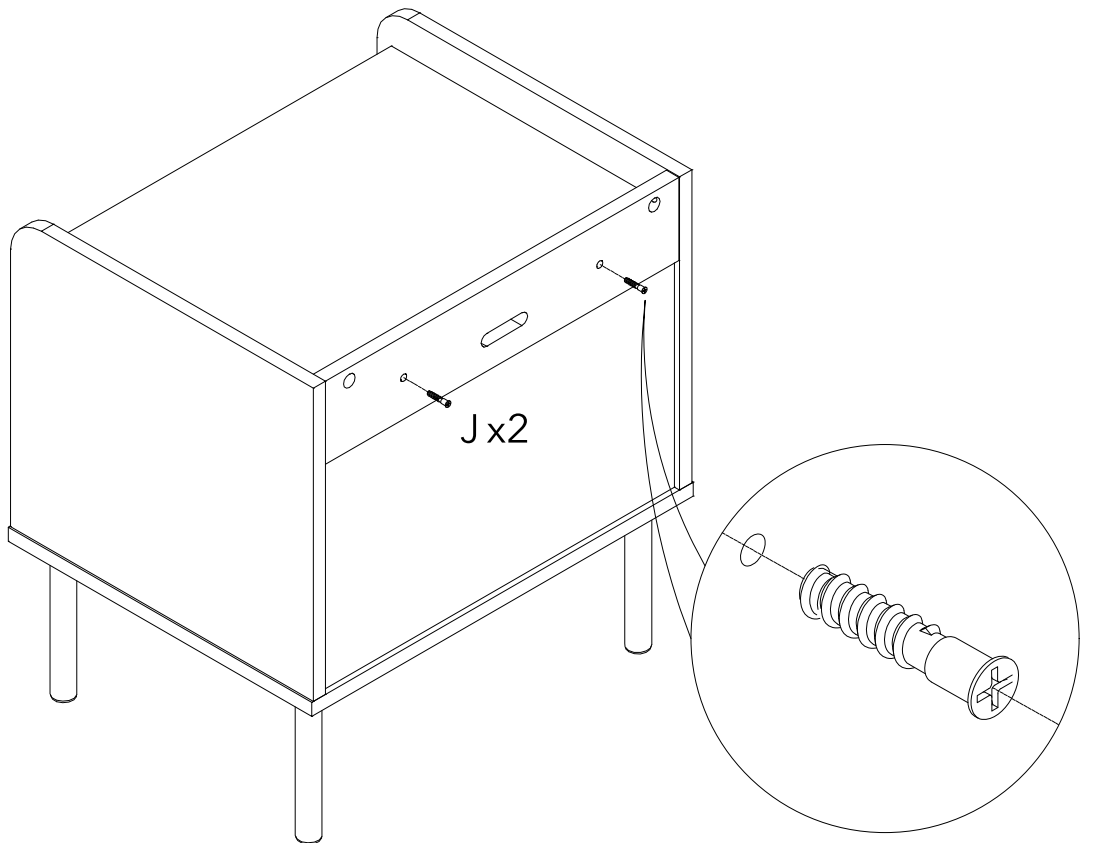


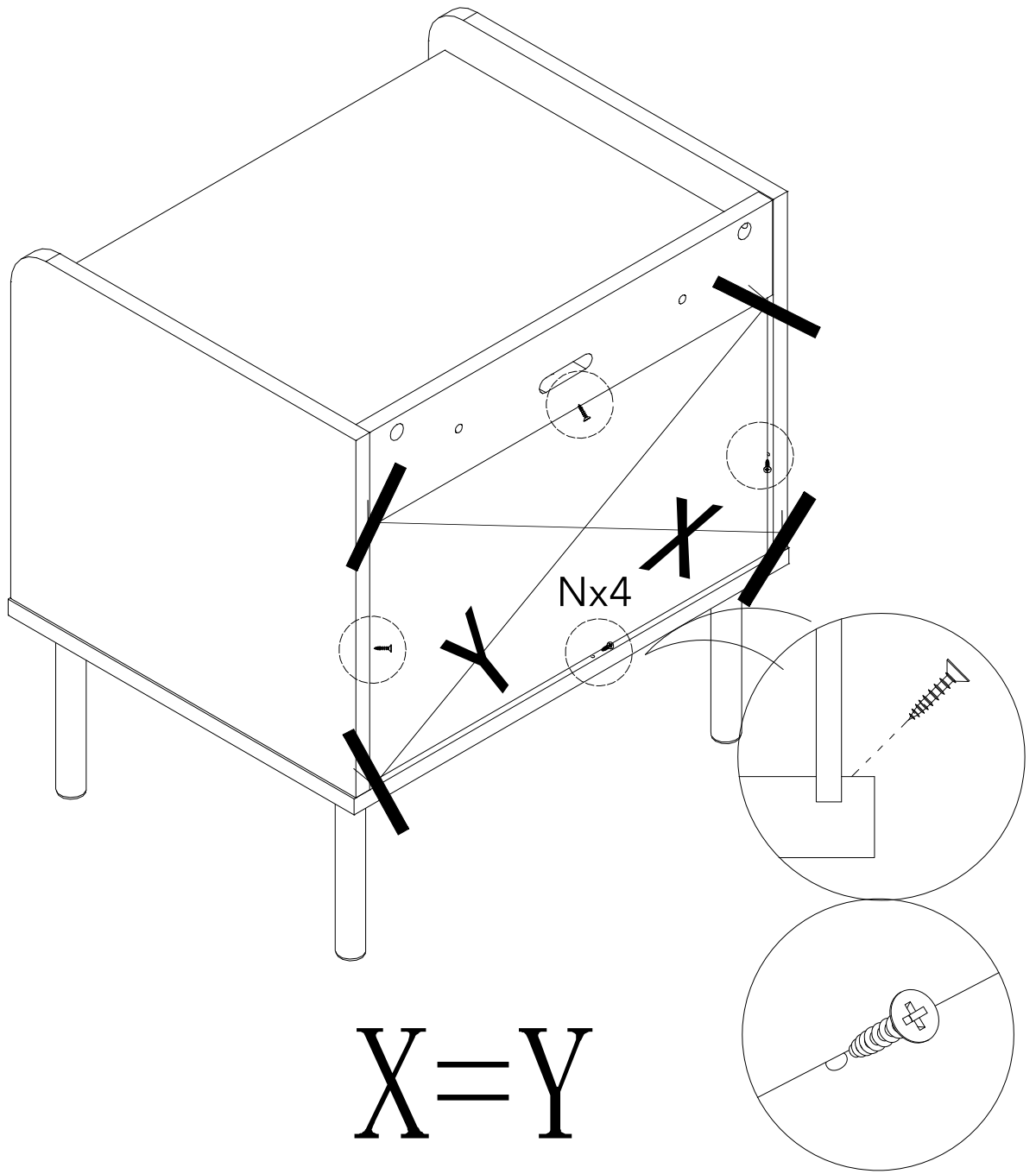
		
	A M6x40mm 4X	B Φ 15x11.5 4X
		
	C Φ 8x30 4X	

7





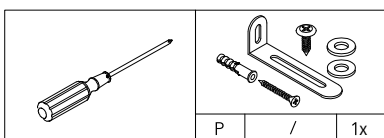
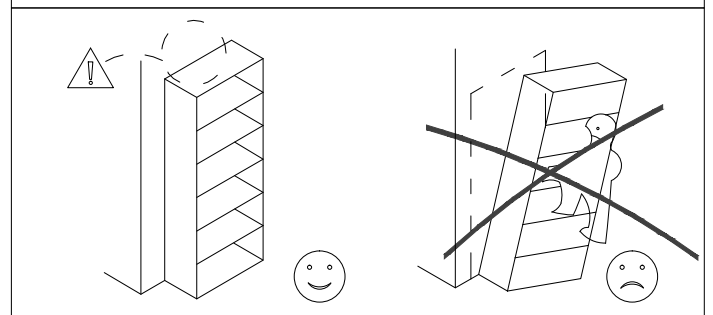
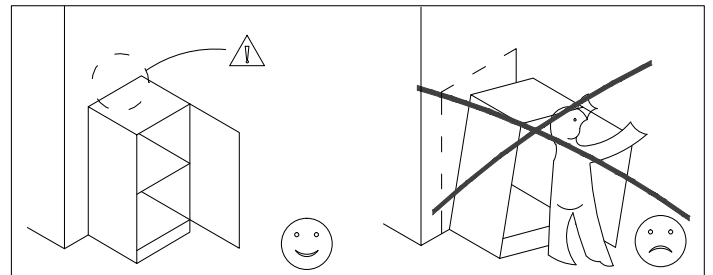
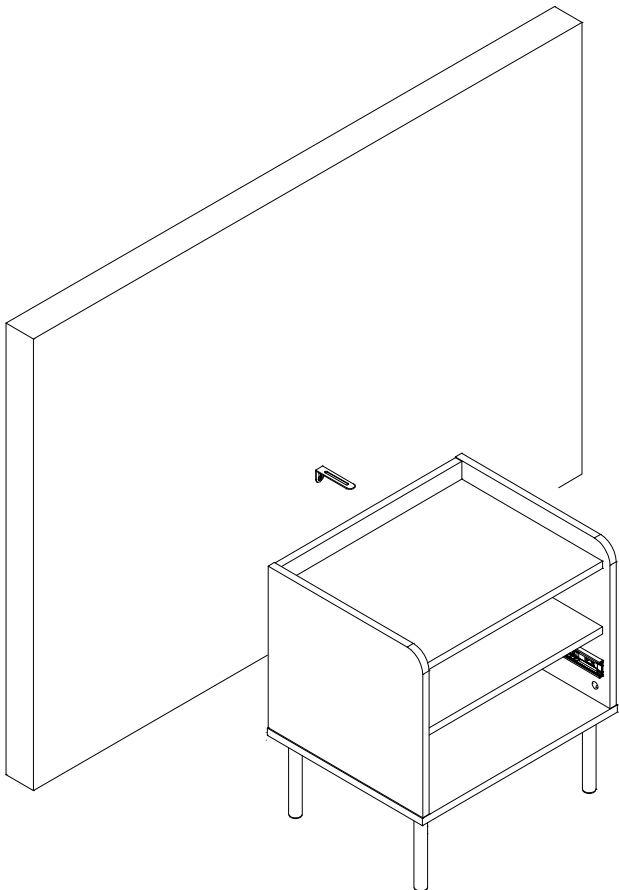
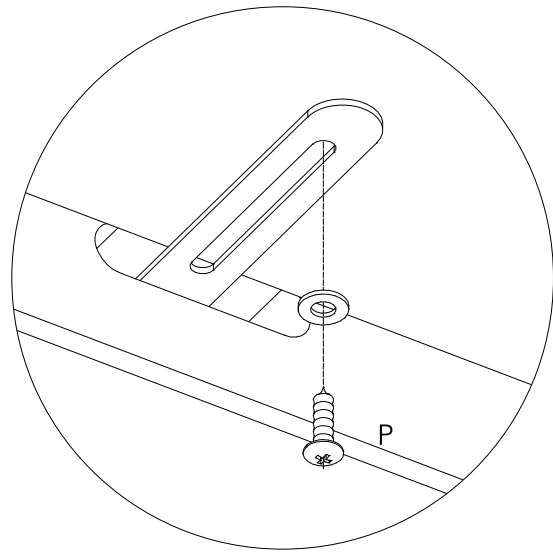
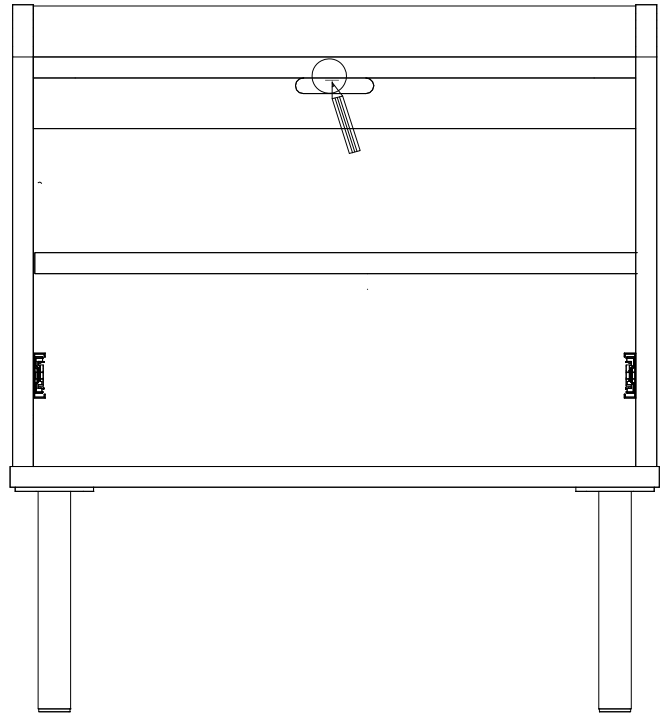
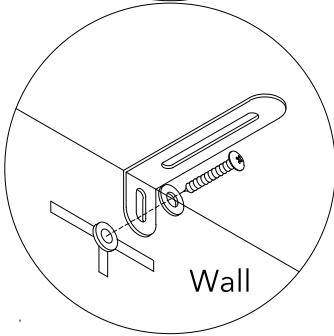
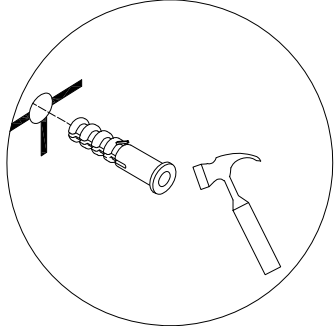
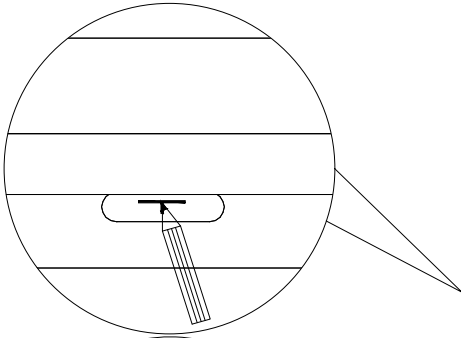
8



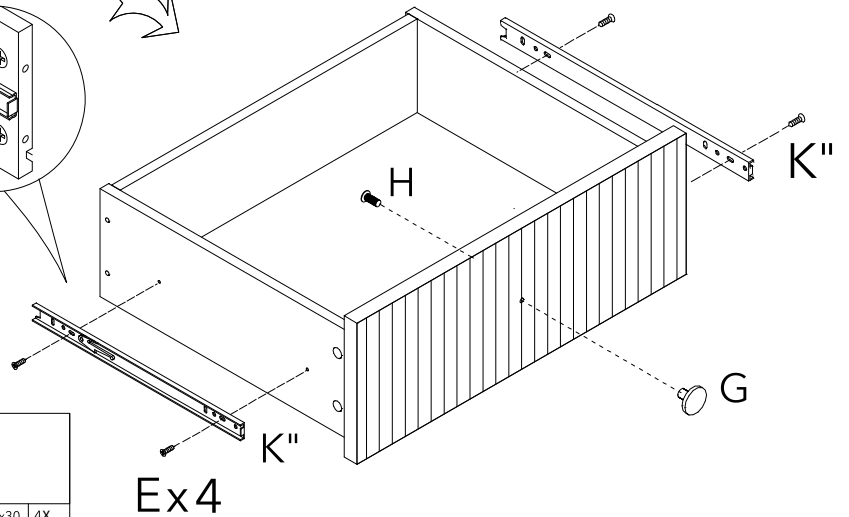
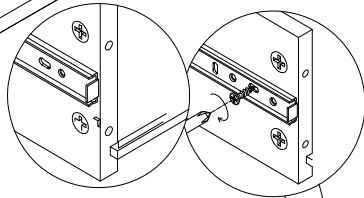
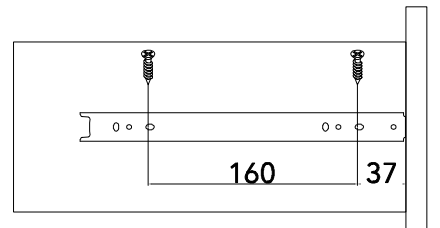
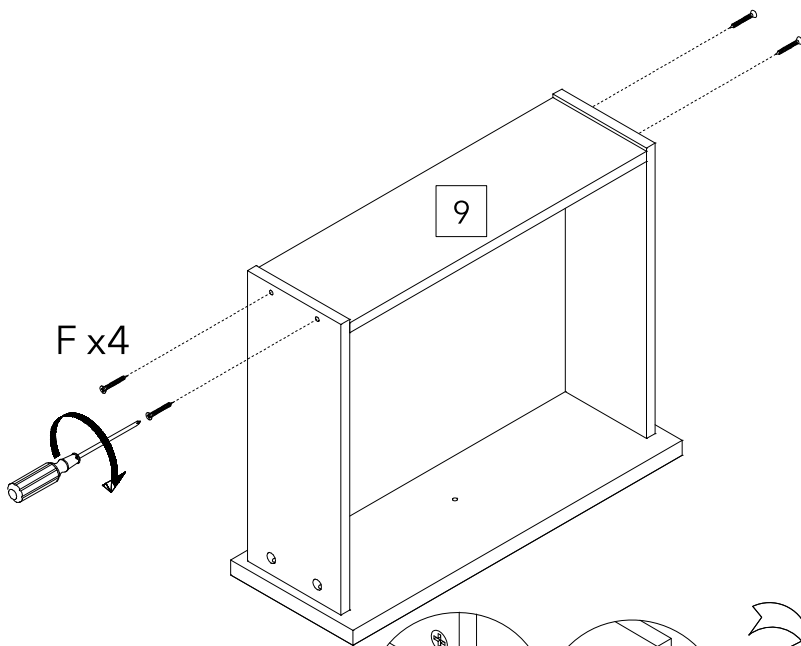
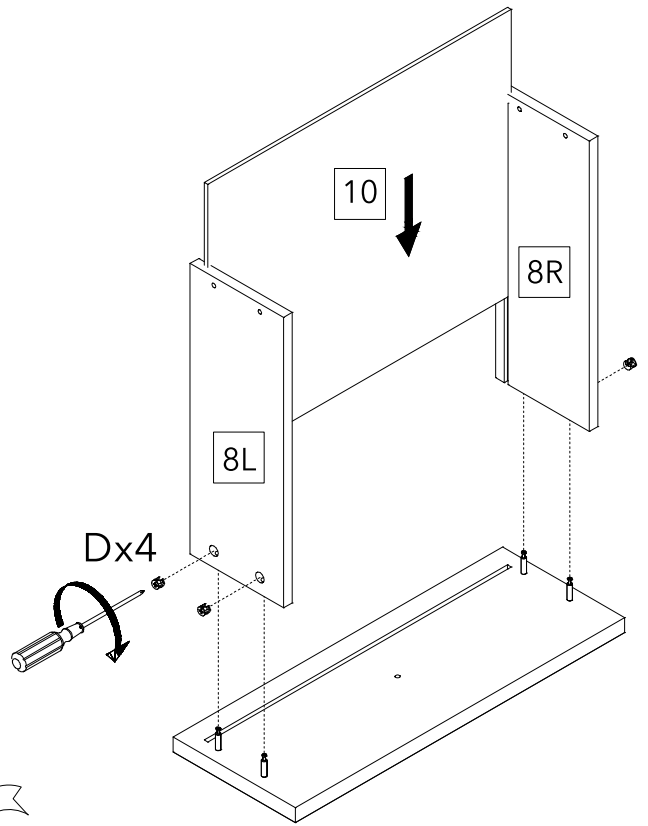
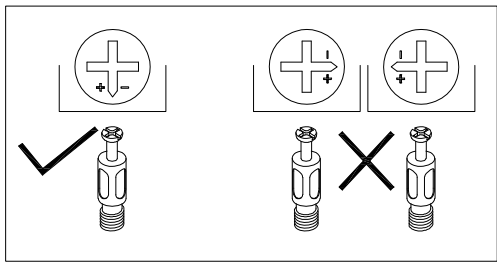
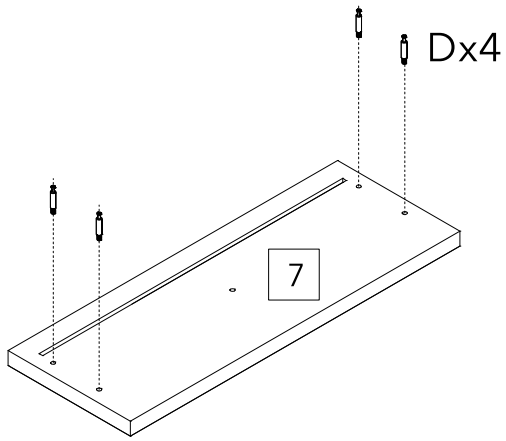


$$X=Y$$

	
N	M3x12 4x

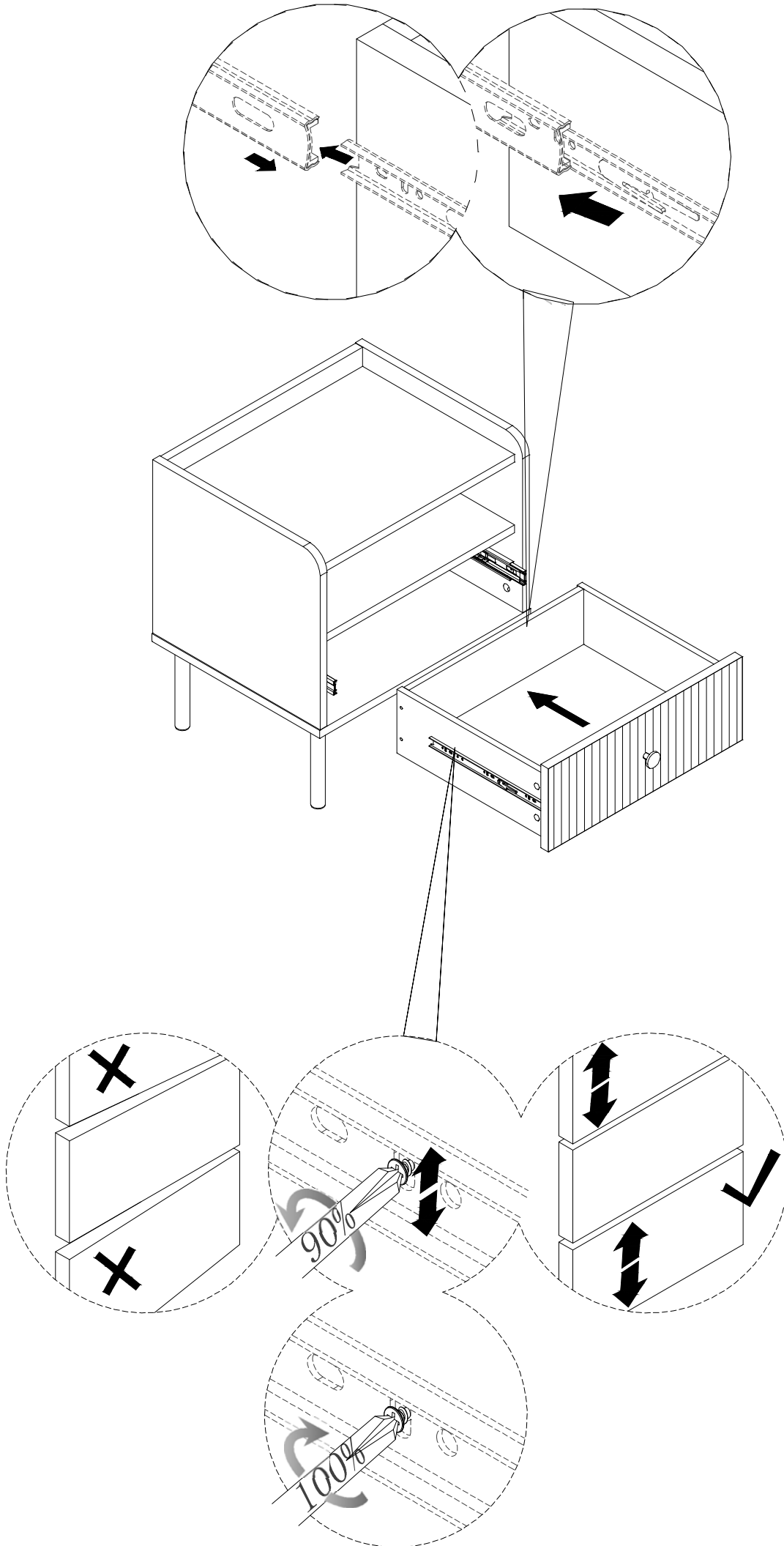


P / 1x

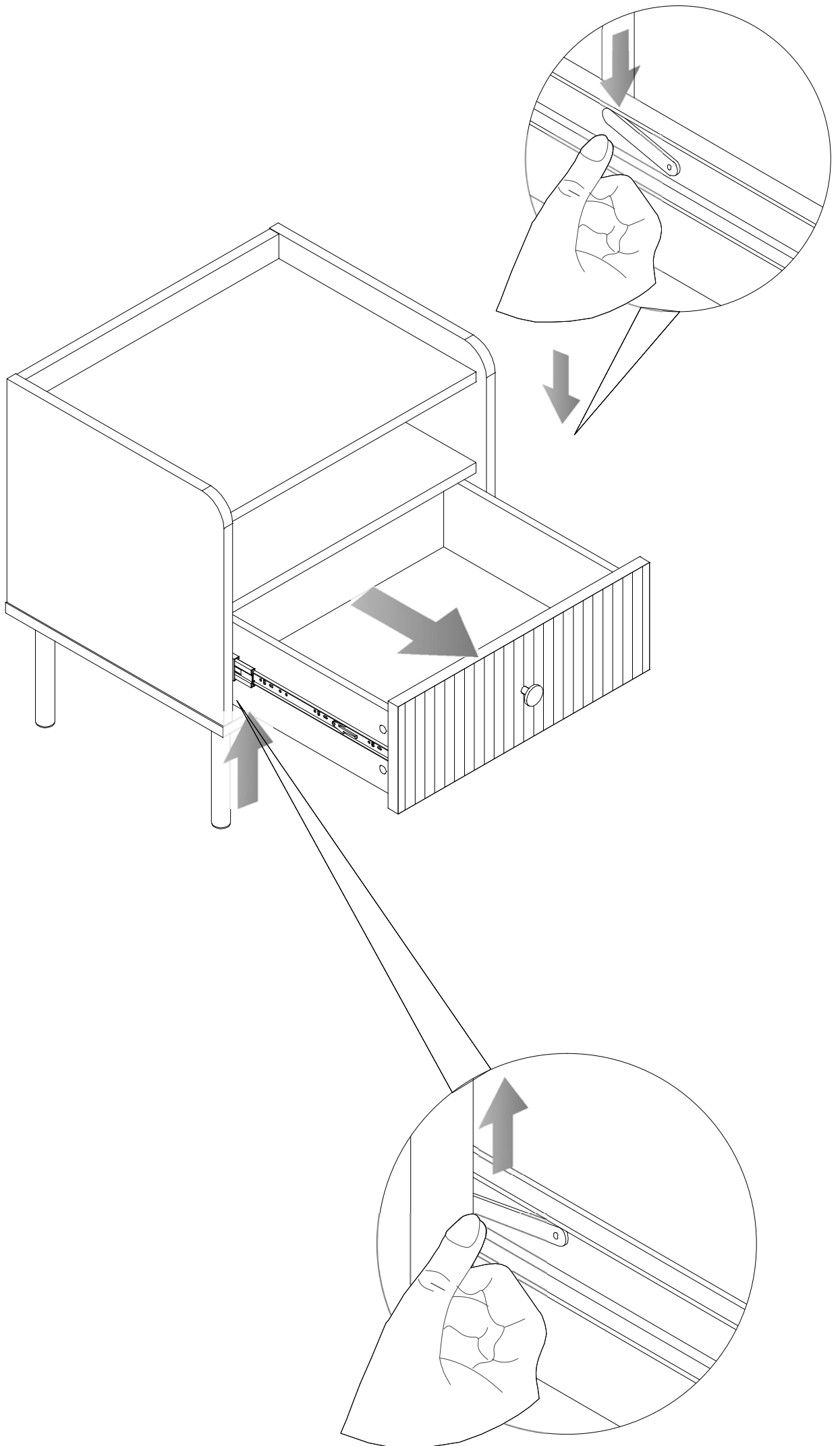


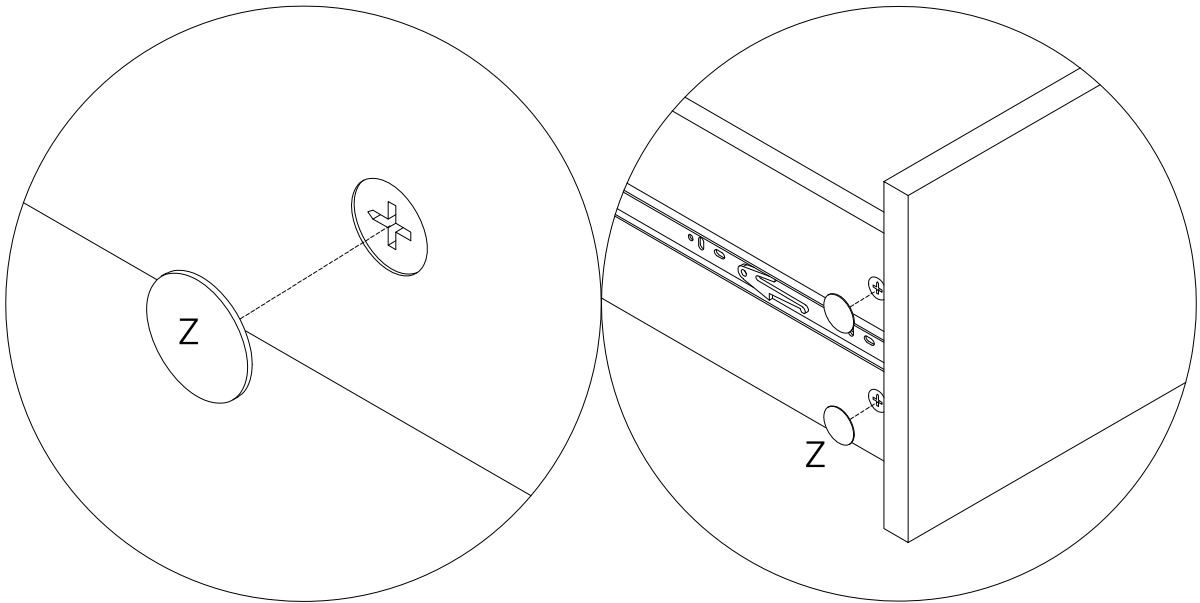
G / 1X	H M4x22mm 1X	K 10" 1X
D Φ12x10mm 4X	E M4x14 4X	F M4x30 4X


12



13





		
Z	φ20	18X

