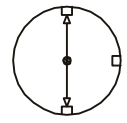
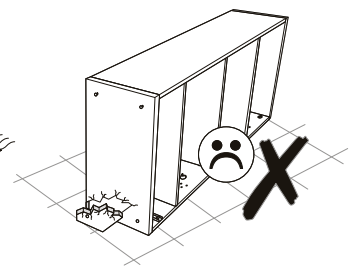
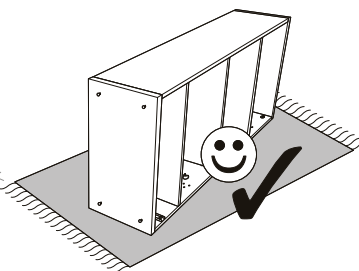
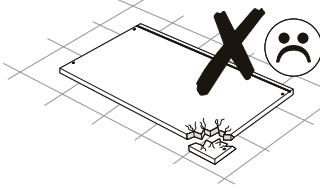
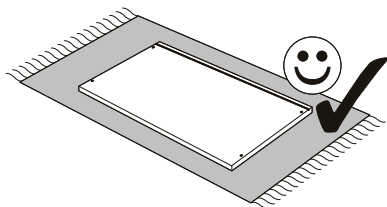
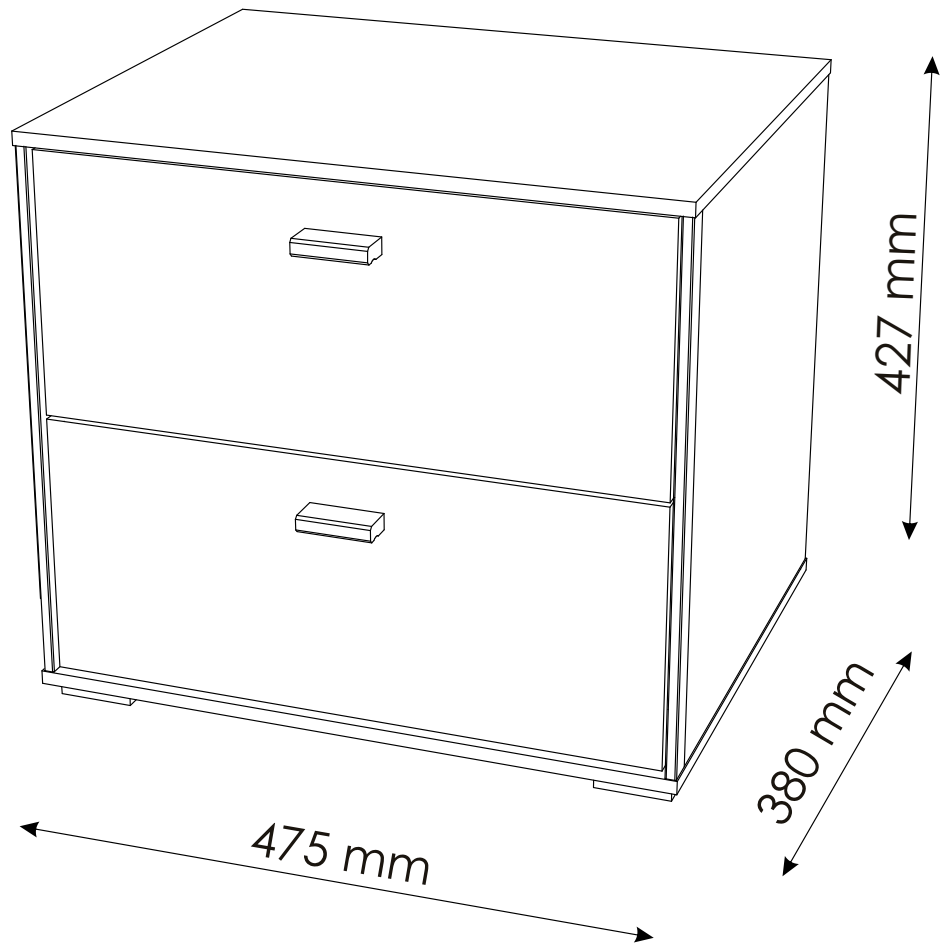
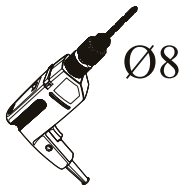
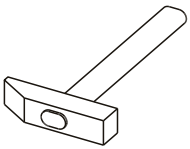
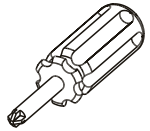
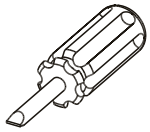
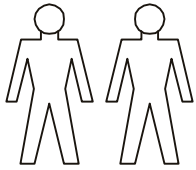


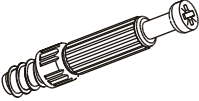




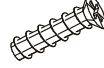

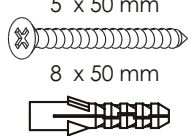
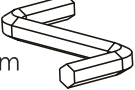

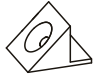
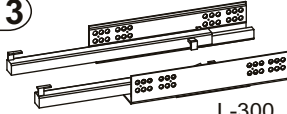
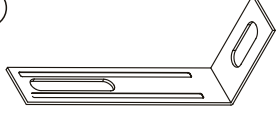
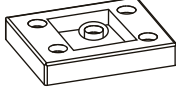



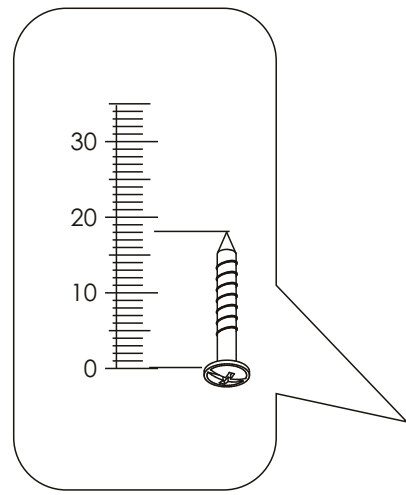
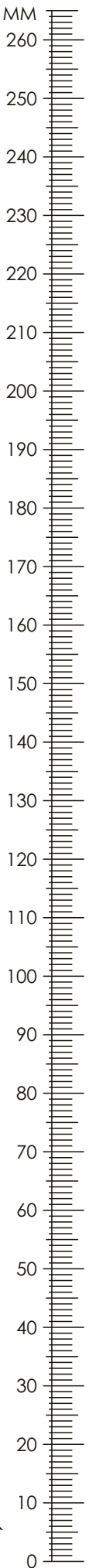
NIKA Nachtkästchen 2T




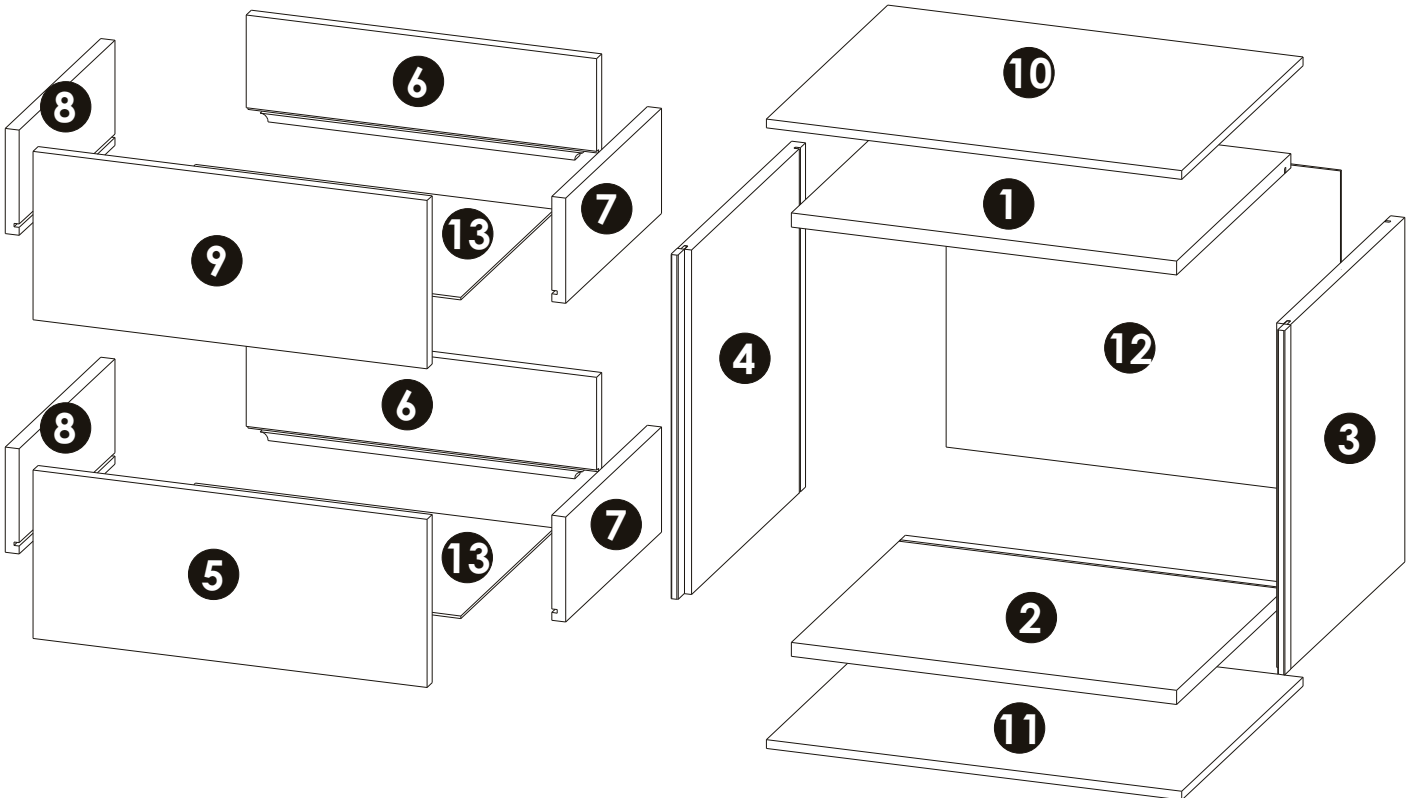
30
MIN

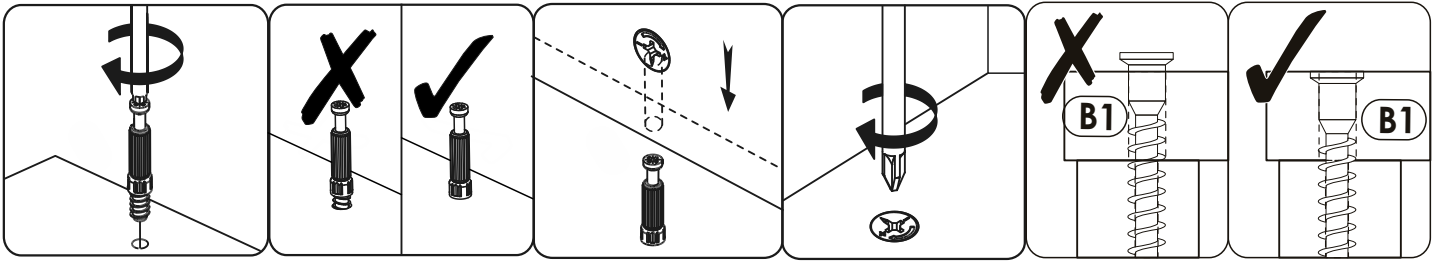


B1 f 7 x 50 mm x4 	C0  x4	C2  x12
D0 3 x 15 mm x10 	D12 3.5 x 25 mm x16 	D16 4 x 30 mm x4 
D21 5 x 13 mm x1 	D24 5 x 22 mm x8 	D31 6.3 x 13 mm x16 
E0 5 x 50 mm 8 x 50 mm x1 	K  4mm x1	L29  x2
M1  x10	N13  L-300 x2	P0  x1
T5  x4	U0  x4	

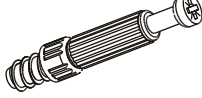


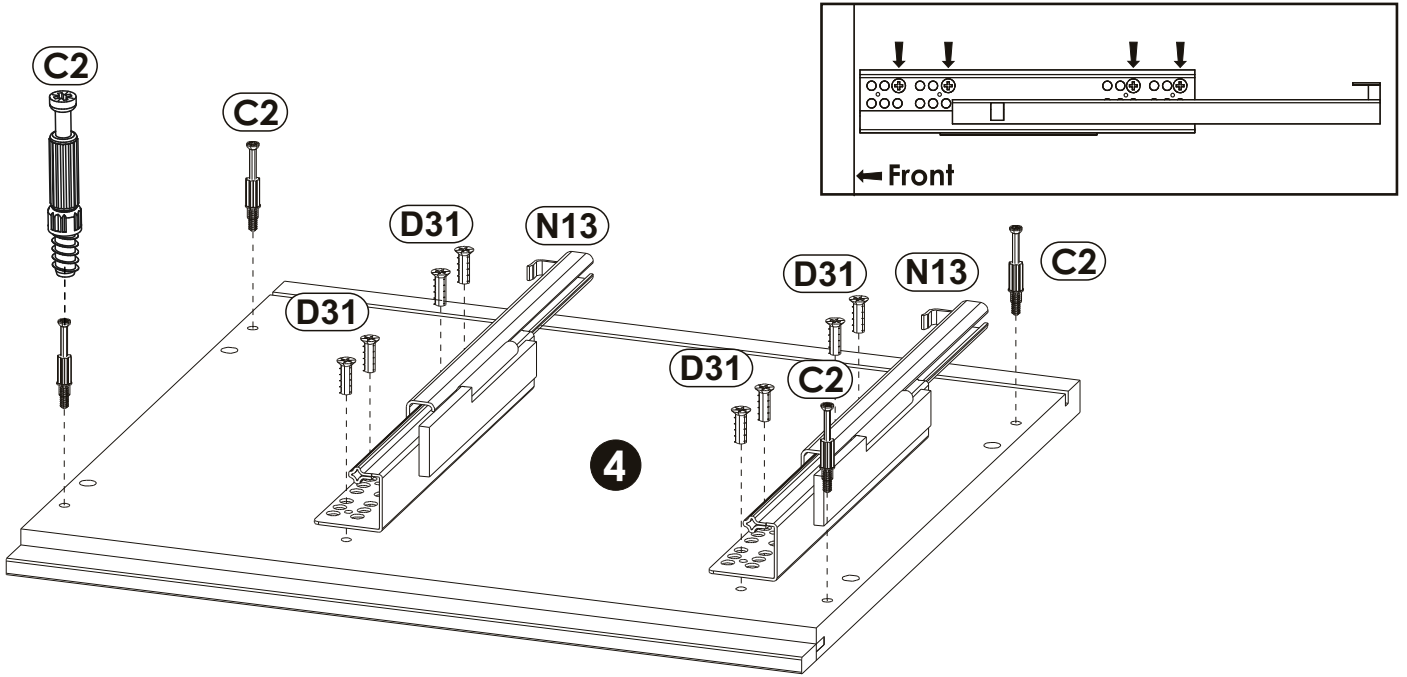
1	440	358	16	x1	1/1
2	440	358	16	x1	1/1
3	393	378	16	x1	1/1
4	393	378	16	x1	1/1
5	450	192	16	x1	1/1
6	400	119	16	x2	1/1
7	300	120	16	x2	1/1
8	300	120	16	x2	1/1
9	450	192	16	x1	1/1
10	475	380	10	x1	1/1
11	475	380	10	x1	1/1
12	450	371	3	x1	1/1
13	411	294	3	x2	1/1
					1/1



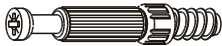


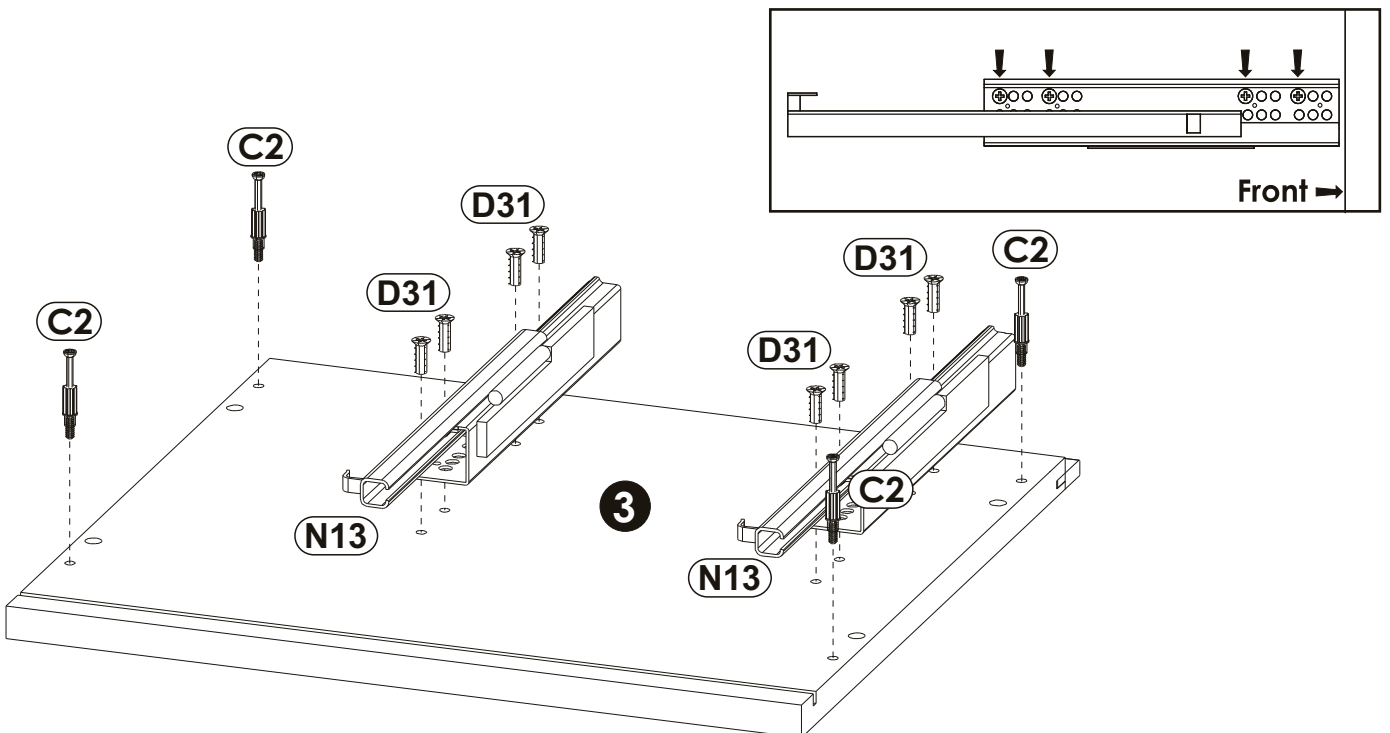
1

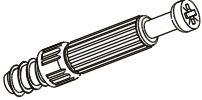



C2		x4	D31	6.3 x 13 mm	x8	N13	L-300	x2
-----------	---	-----------	------------	-------------	-----------	------------	-------	-----------

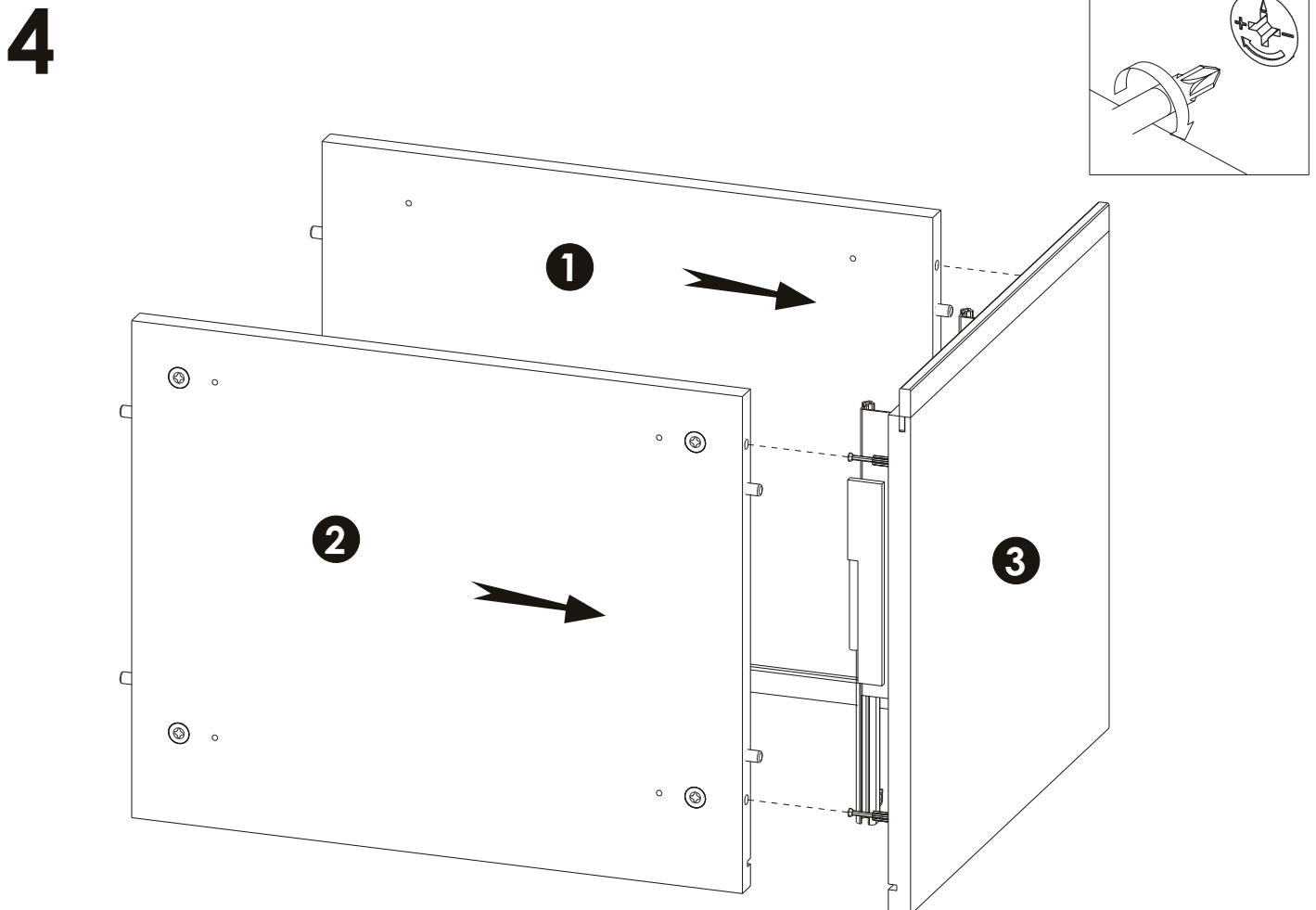
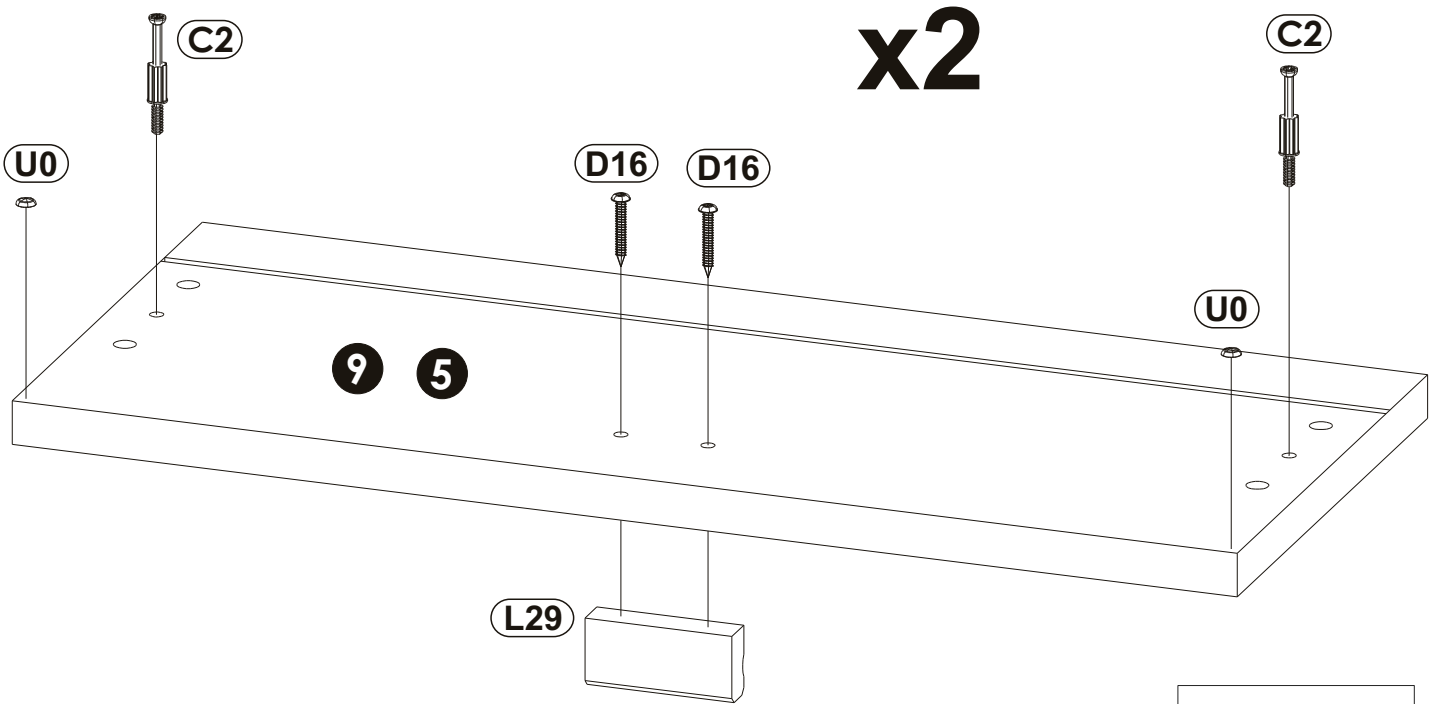


2

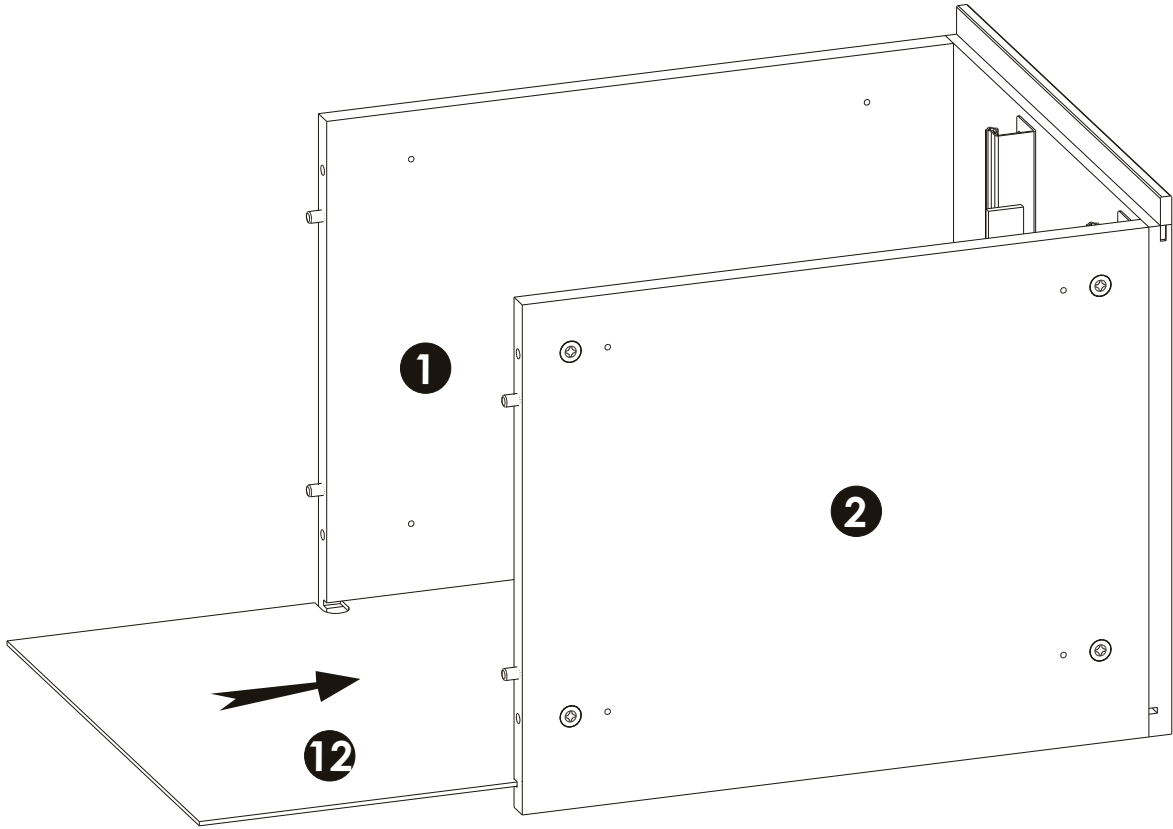
C2		x4	D31	6.3 x 13 mm	x8	N13	L-300	x2
-----------	---	-----------	------------	-------------	-----------	------------	-------	-----------



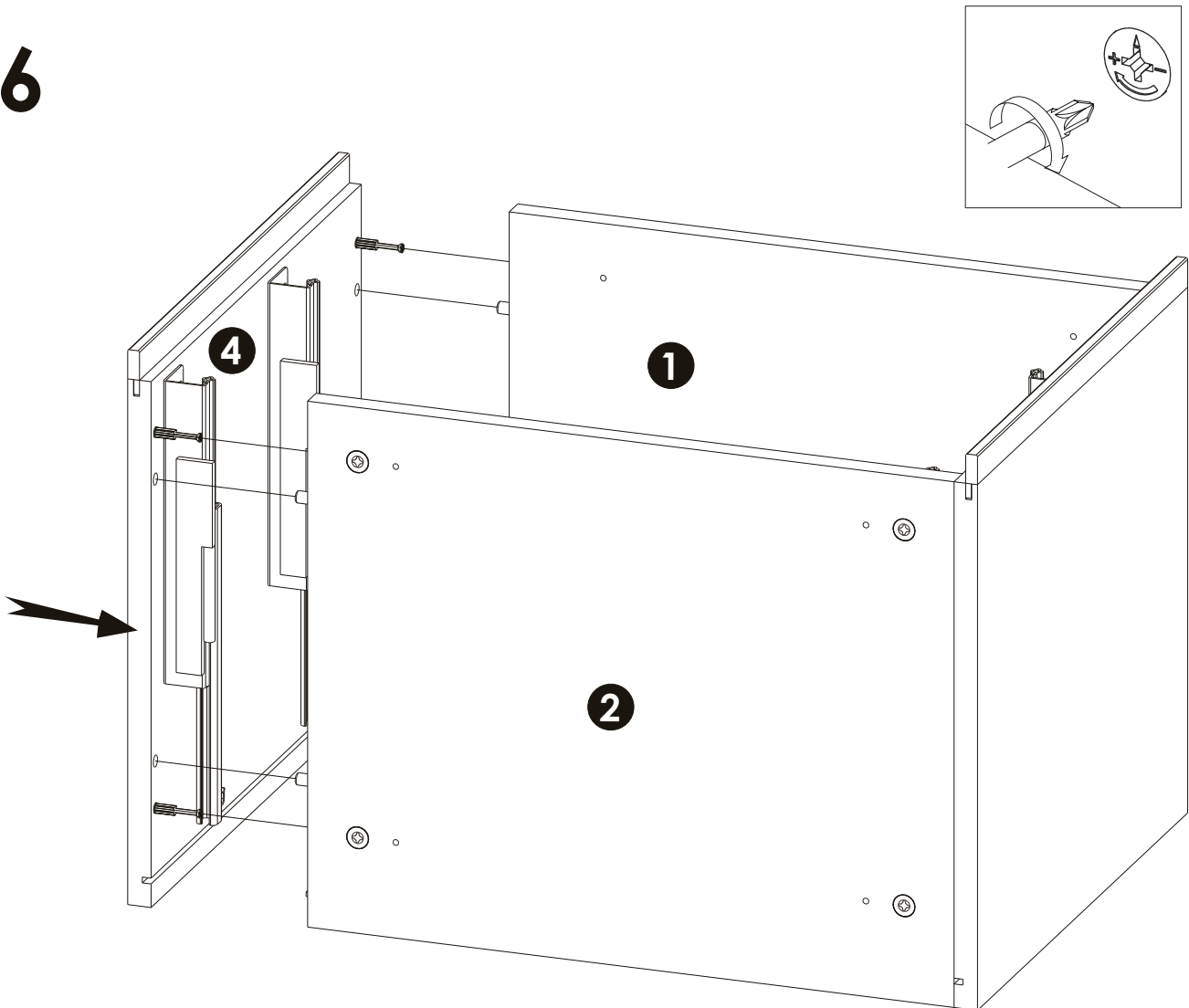
3 C2  x4	D16 4 x 30 mm  x4	L29  x2
U0  x4		



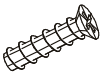
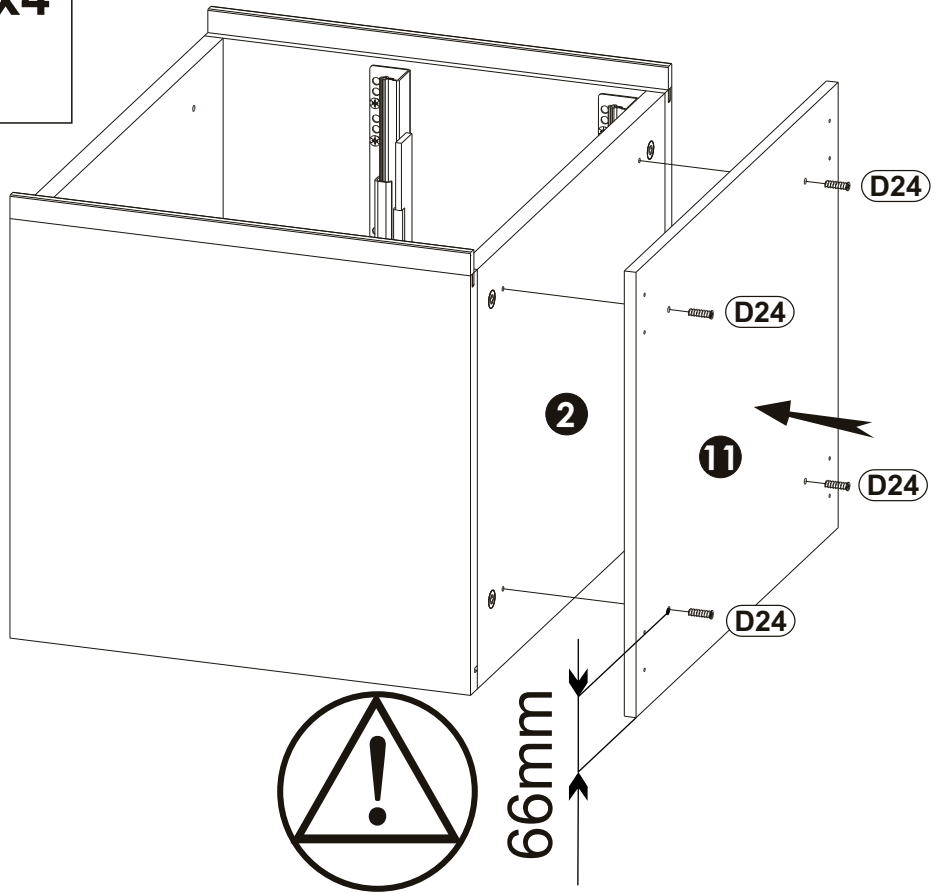
5

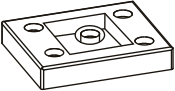


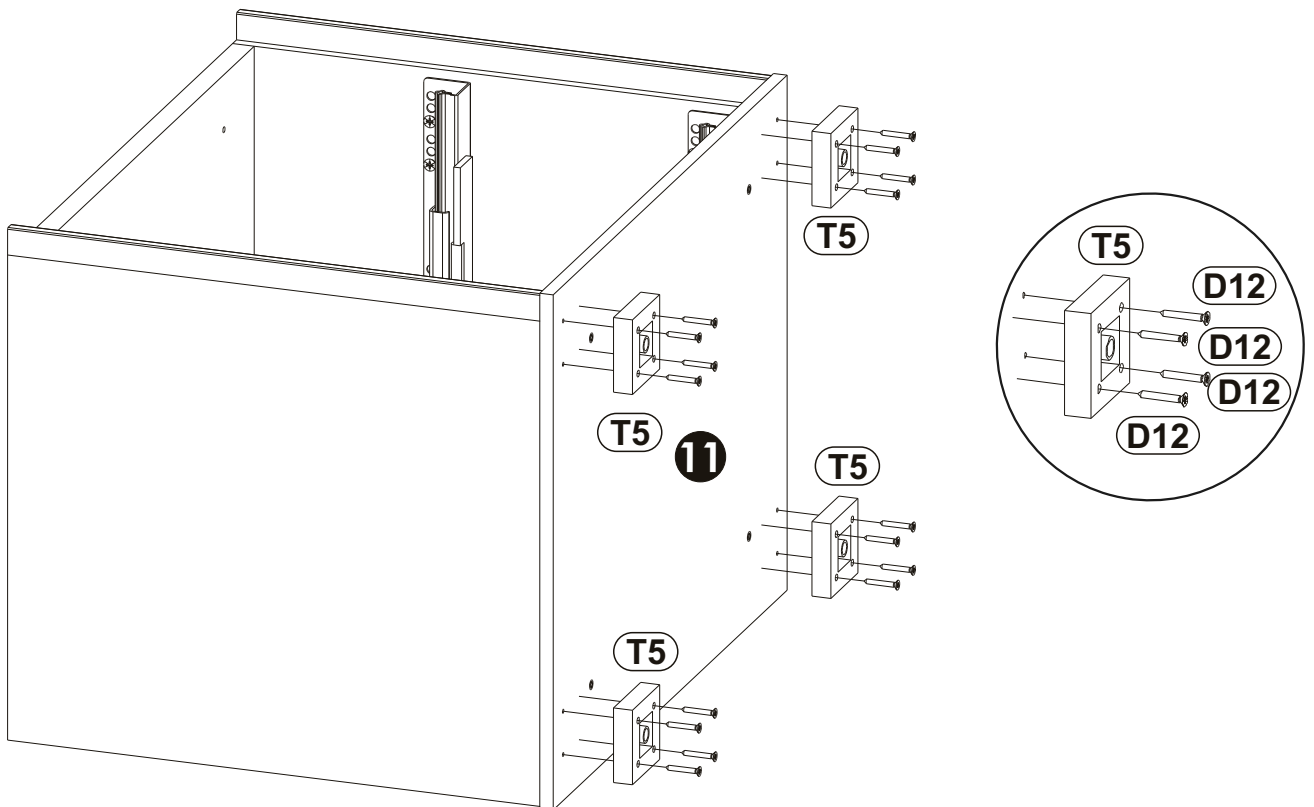
6



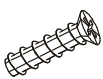
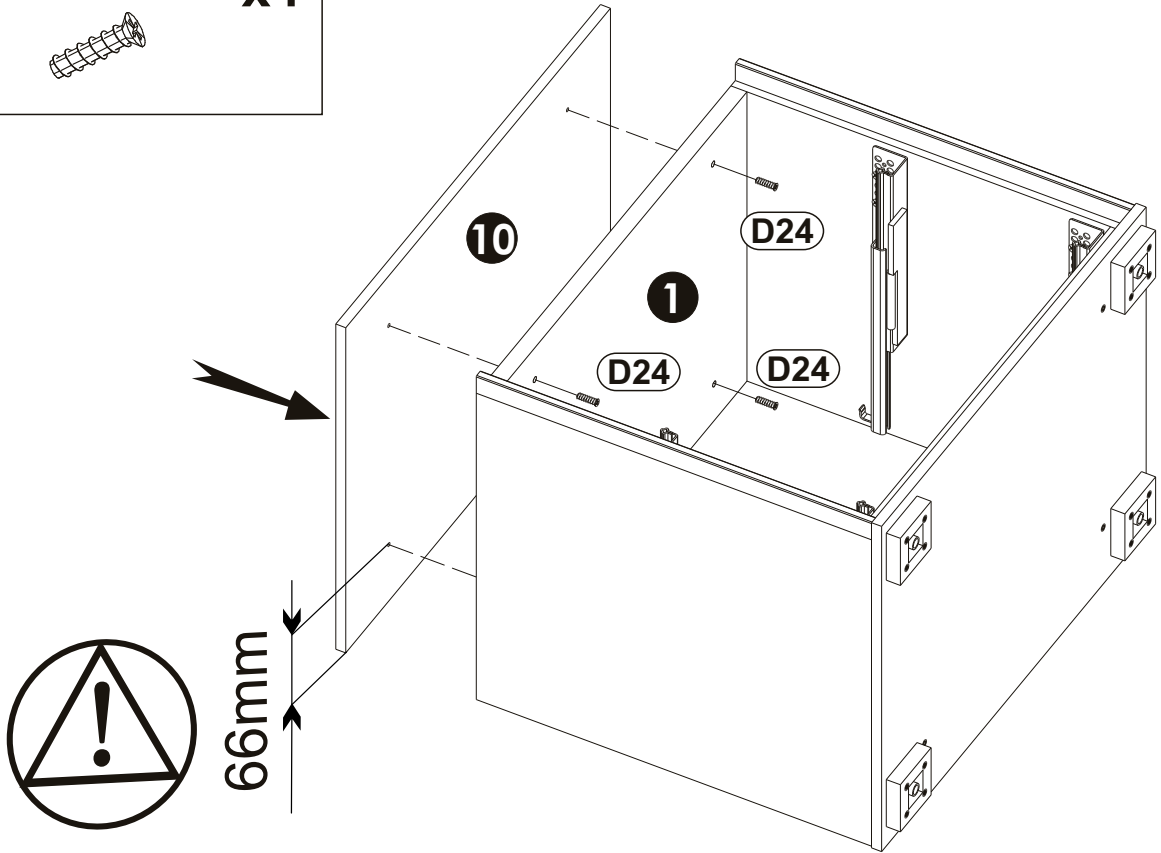
7 **D24** 5 x 22 mm **x4**

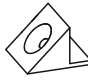




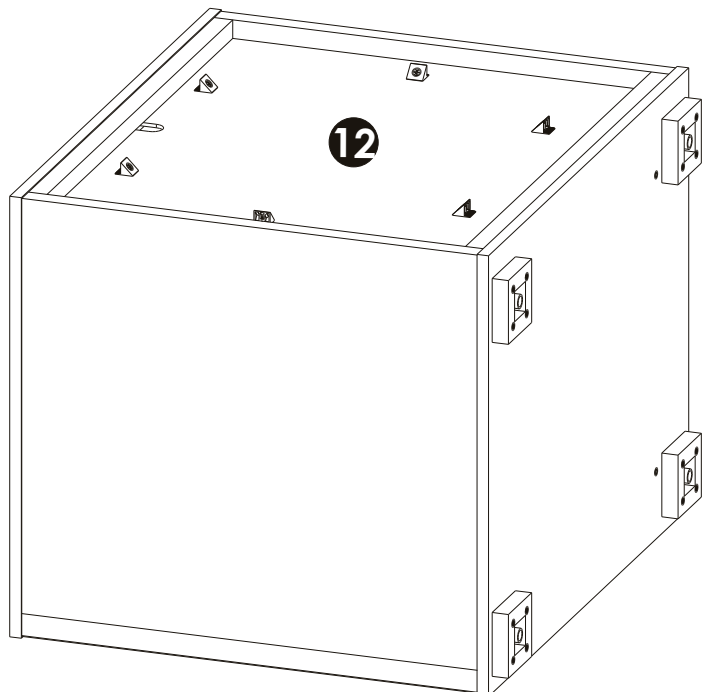
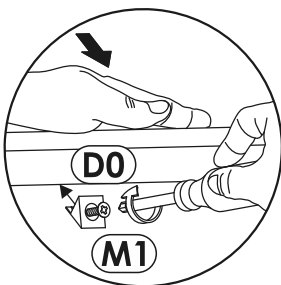
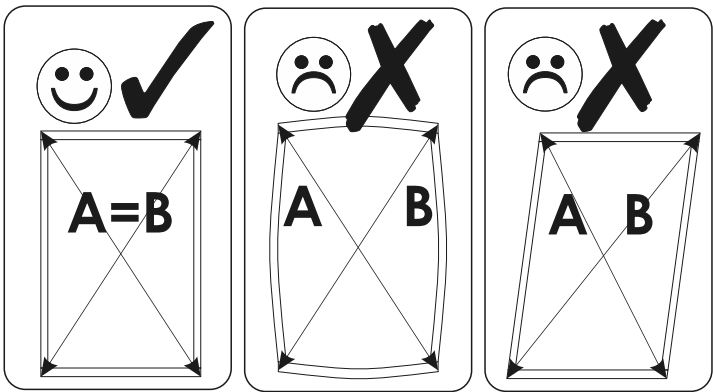
8 **D12** 3.5 x 25 mm **x16** **T5**  **x4**



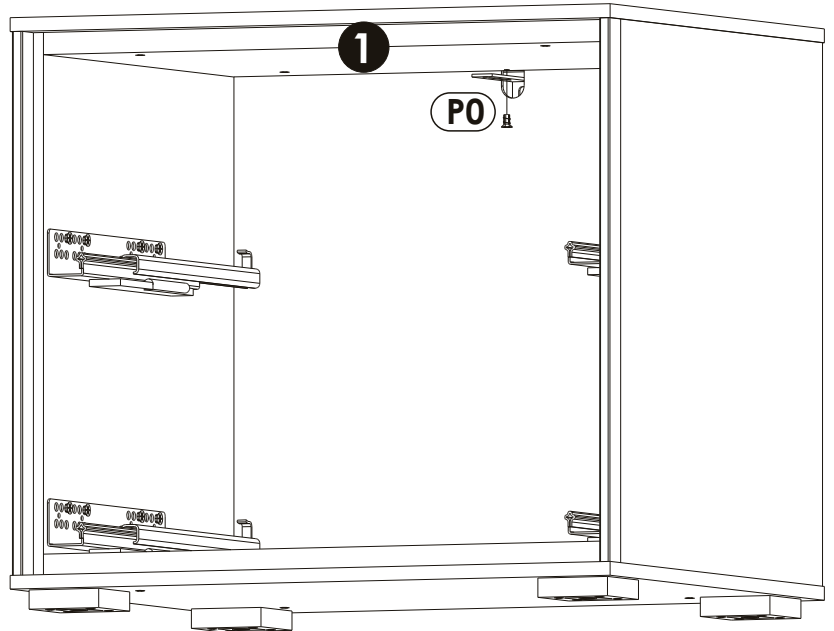
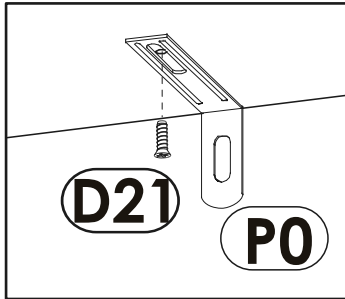
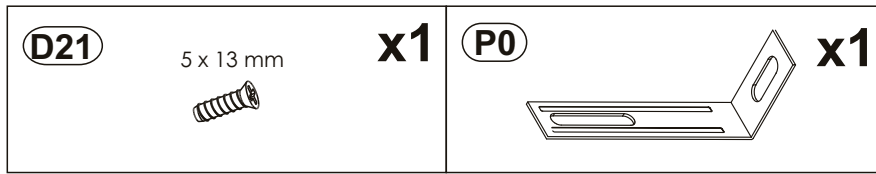
9 **D24** 5 x 22 mm **x4**

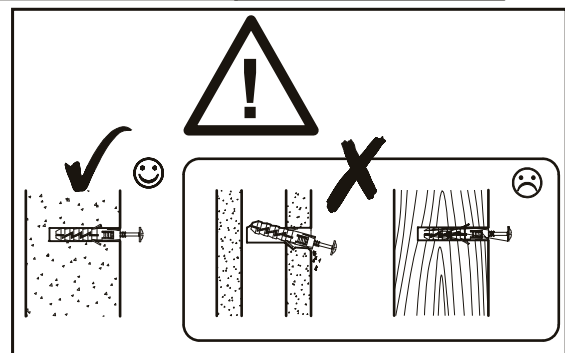
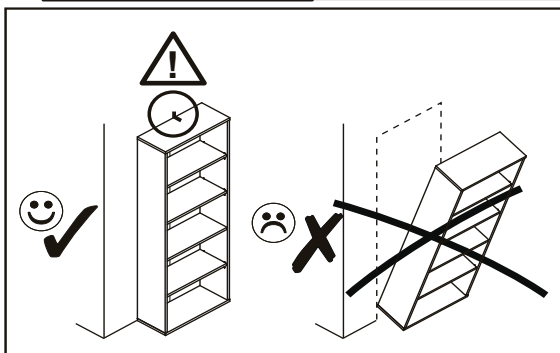
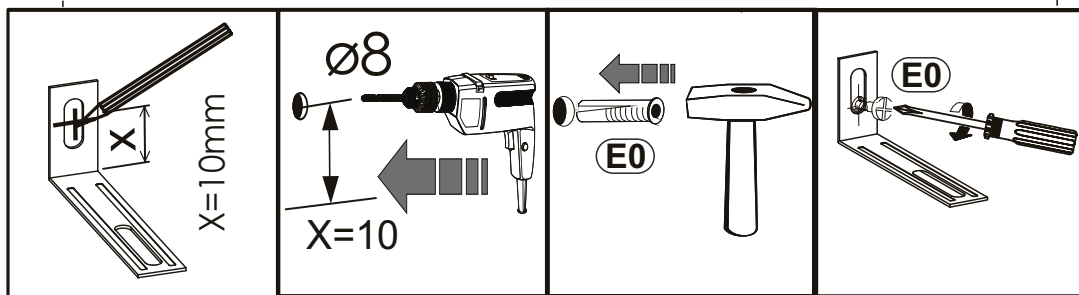
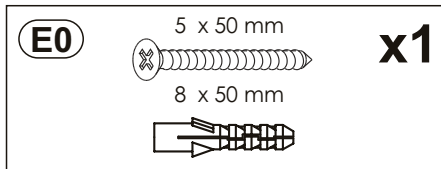
10 **D0** 3 x 15 mm **x6** **M1**  **x6**

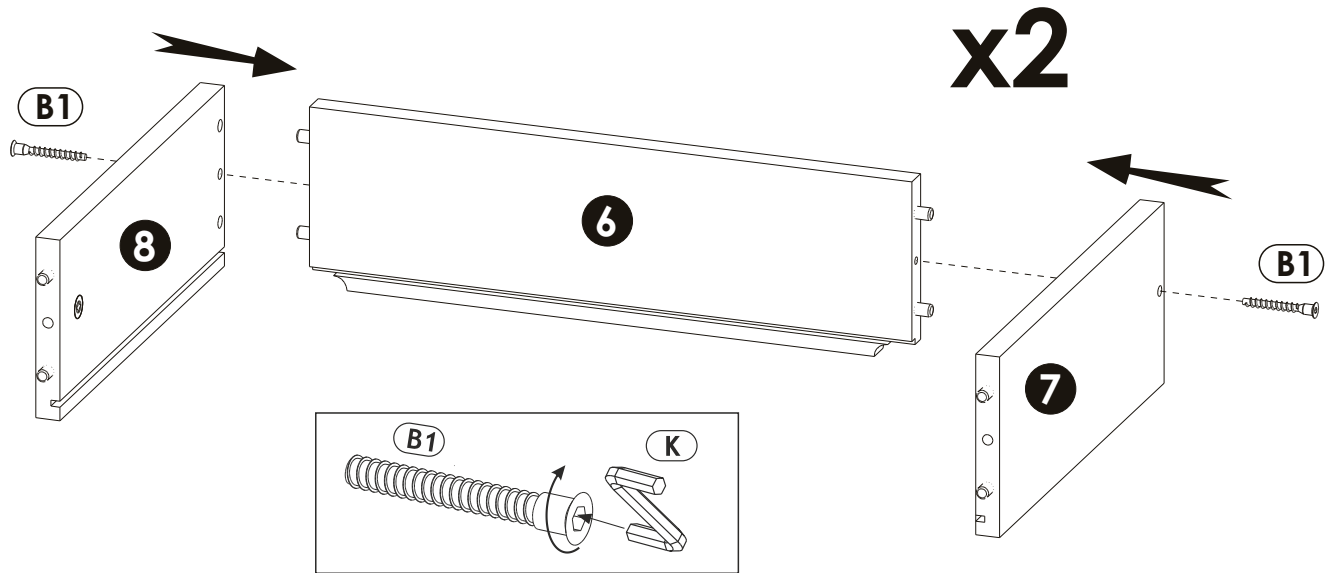
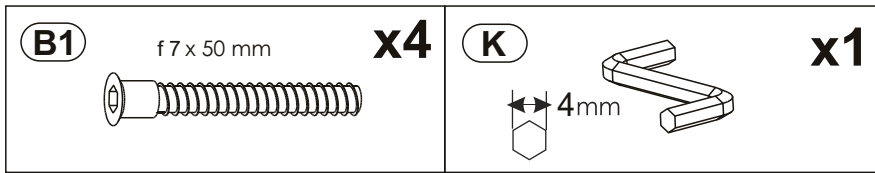
11



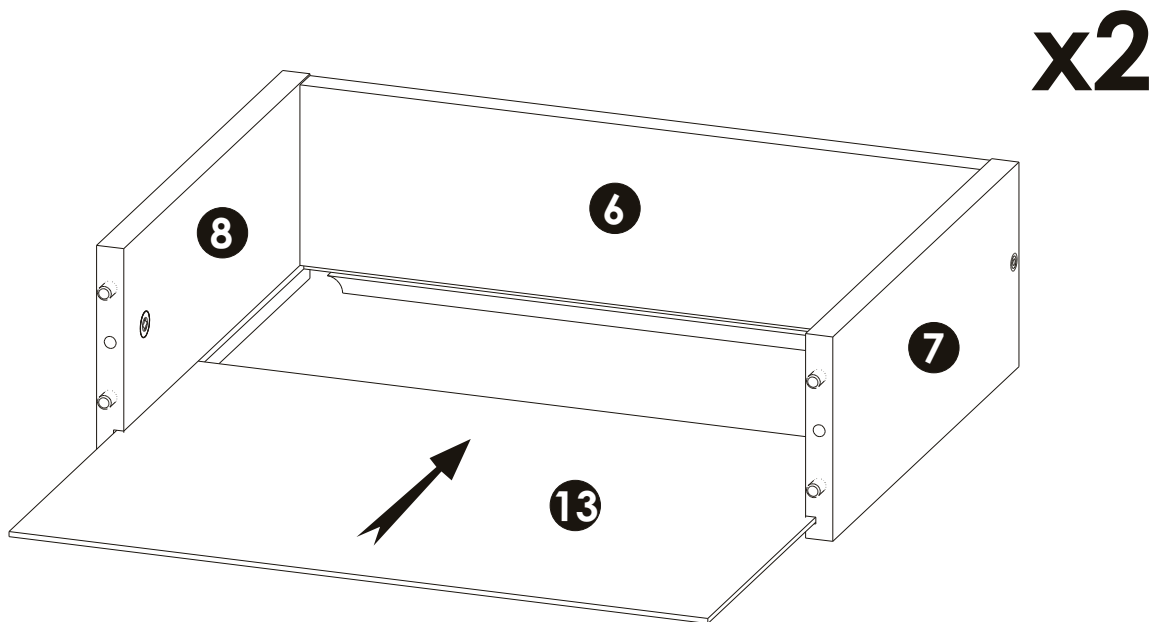
12



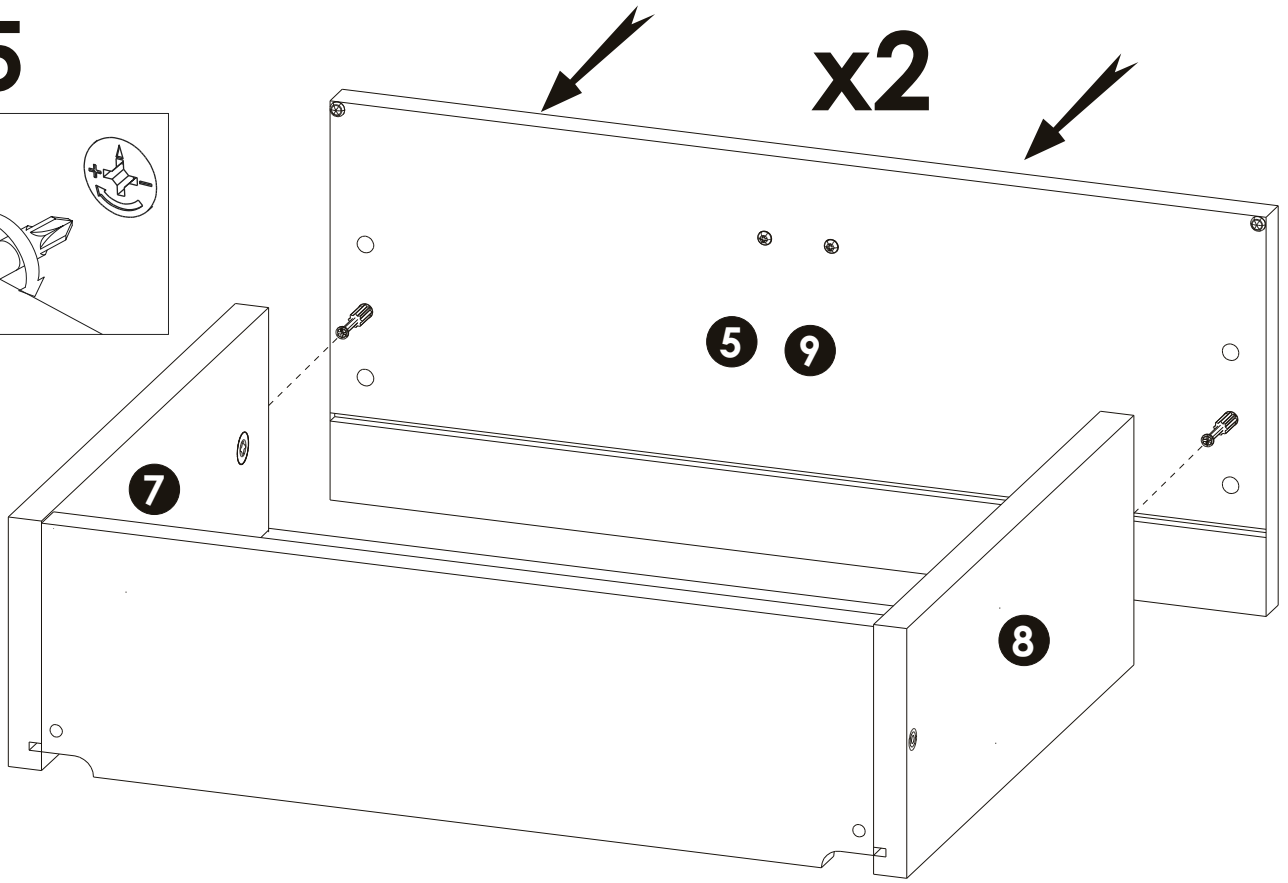
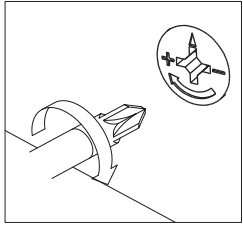
13



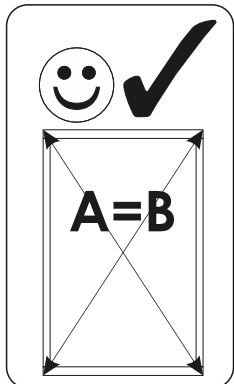
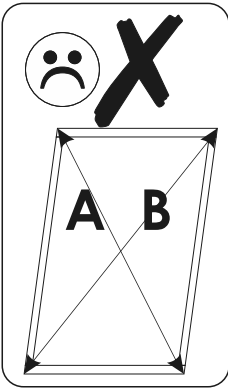
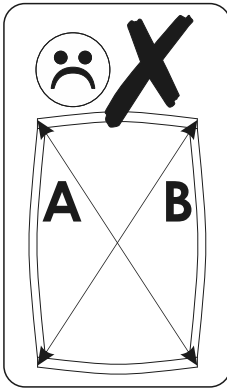
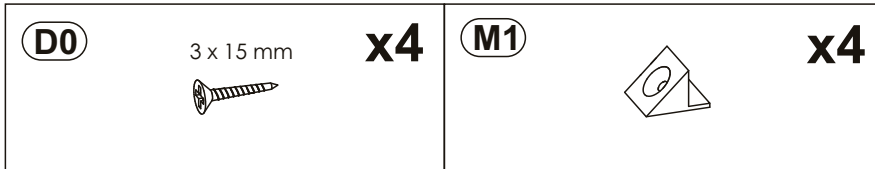
14



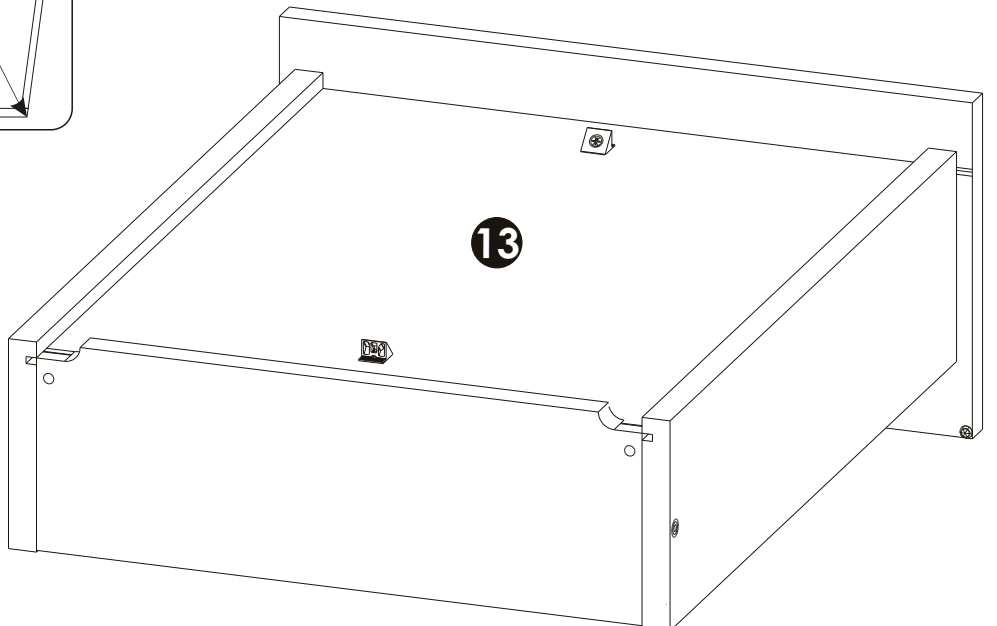
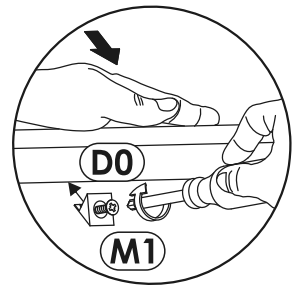
15



16



x2



17

