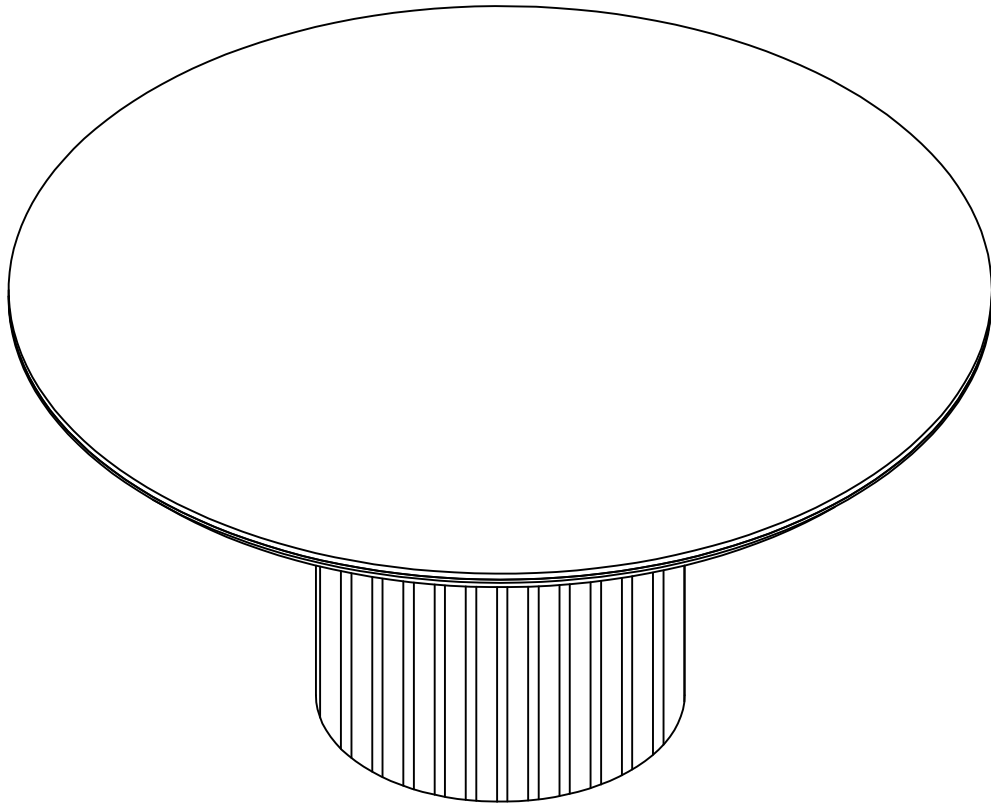
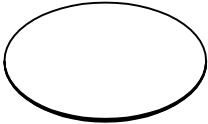
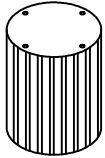
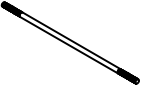


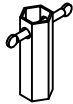



04890083-01

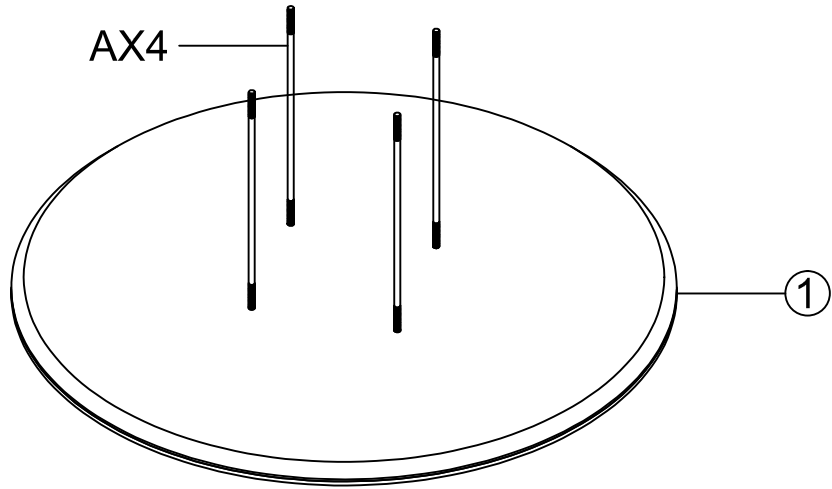


| | | | |
|---|----|---|----|
| ① | X1 | ② | X1 |
|  | |  | |

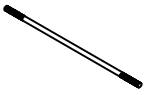
| | | | | | | | | | |
|---|----|---|----|---|----|---|----|---|----|
| A | X4 | B | X4 | C | X4 | D | X1 | E | X4 |
|  M8X390mm | |  | |  | |  | |  | |



STEP 1

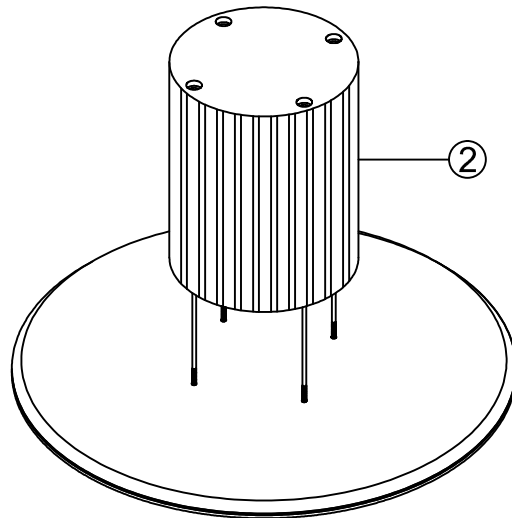
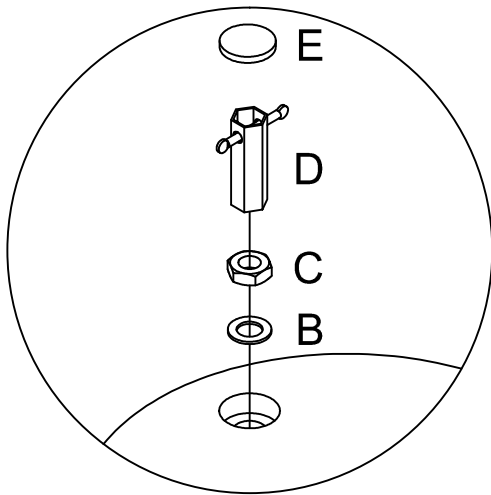


| | |
|---|----|
| A | X4 |
|---|----|



M8X390mm

STEP 2



| | | | | | | | |
|---|----|---|----|---|----|---|----|
| B | X4 | C | X4 | D | X1 | E | X4 |
| | | | | | | | |