

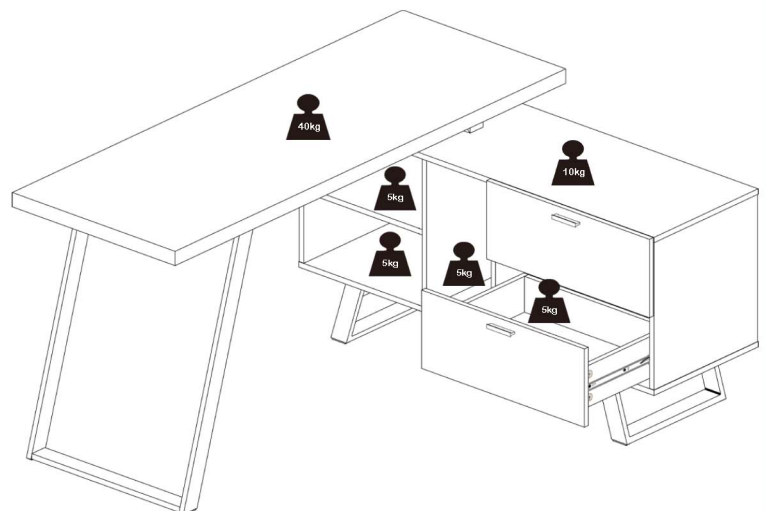
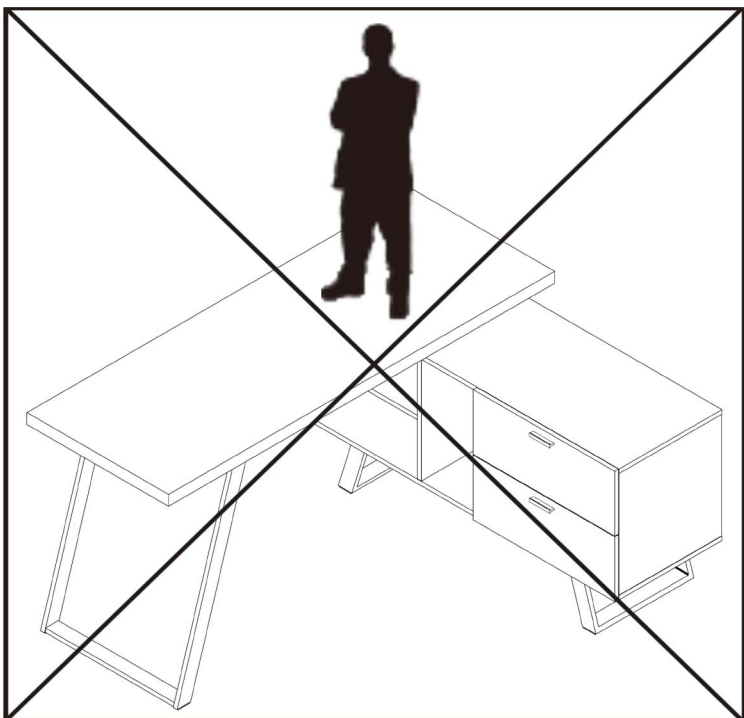
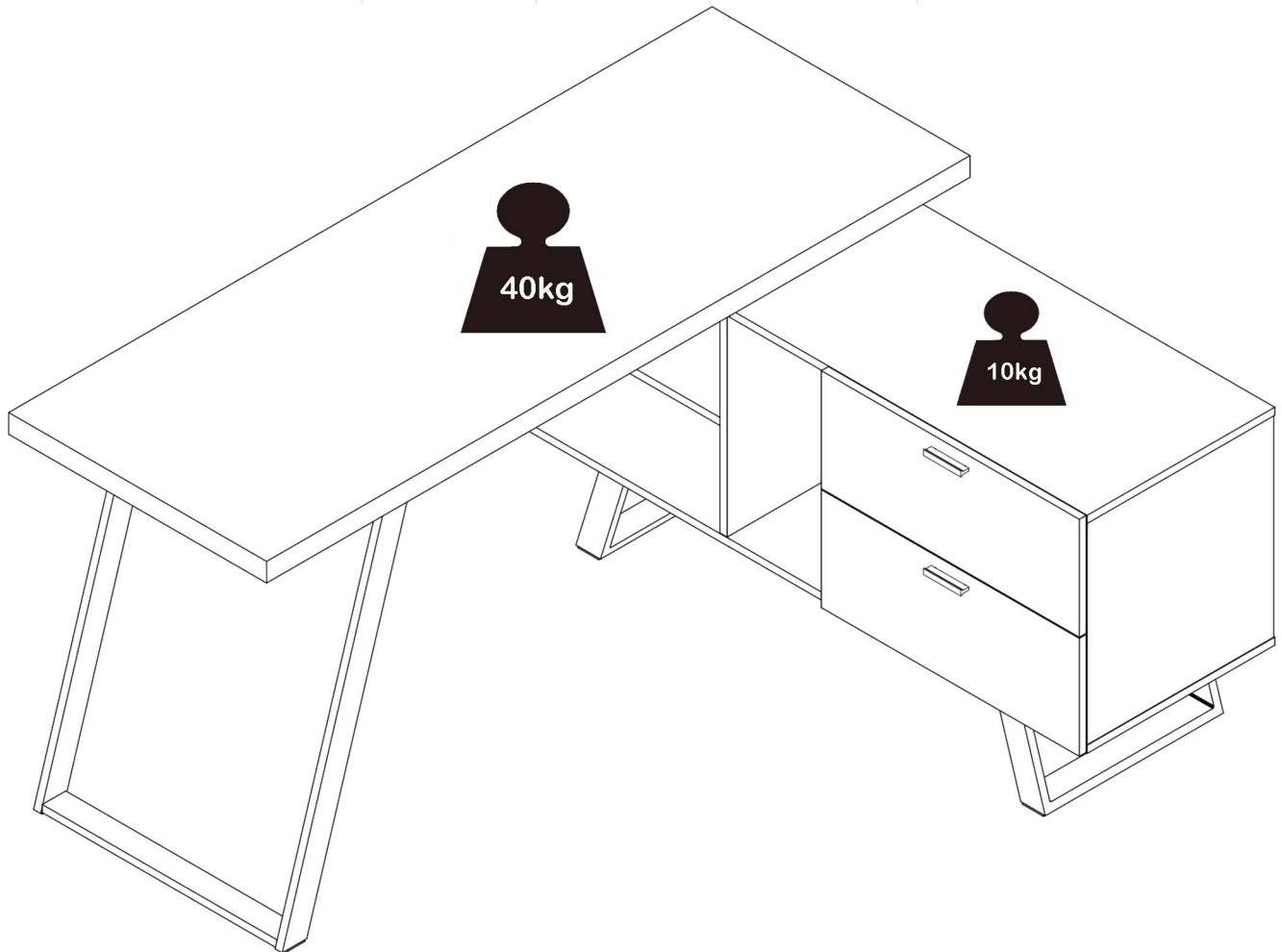
27980173/01/02/03/04

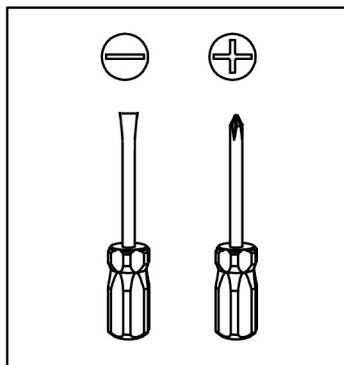
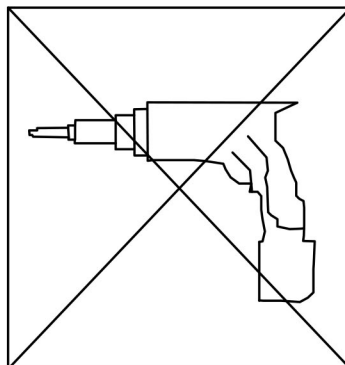
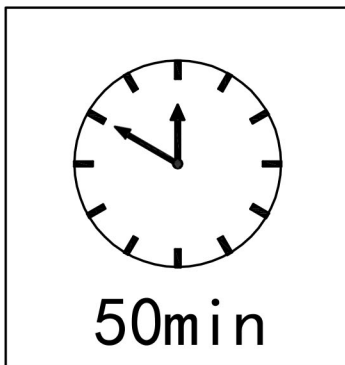
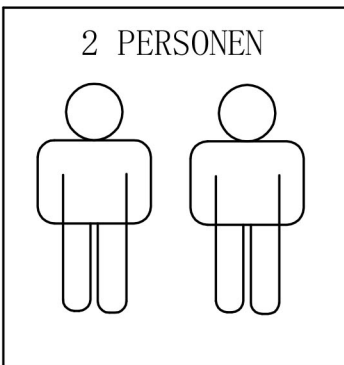
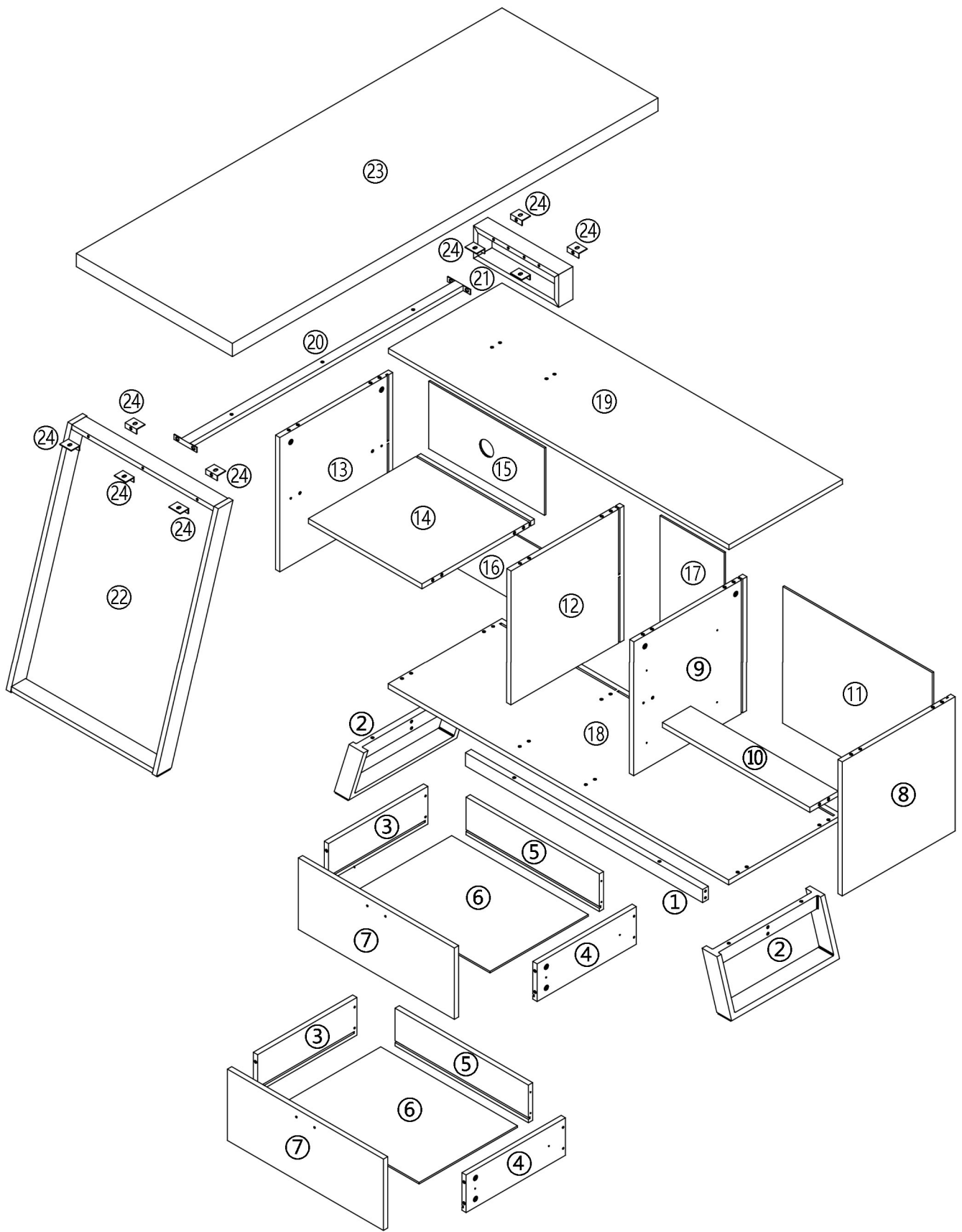
CORINNA


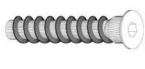
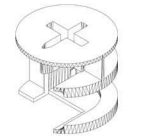



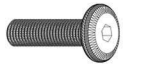


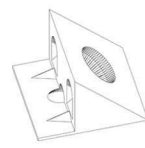


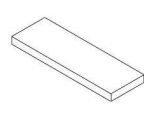



XXXLutz KG

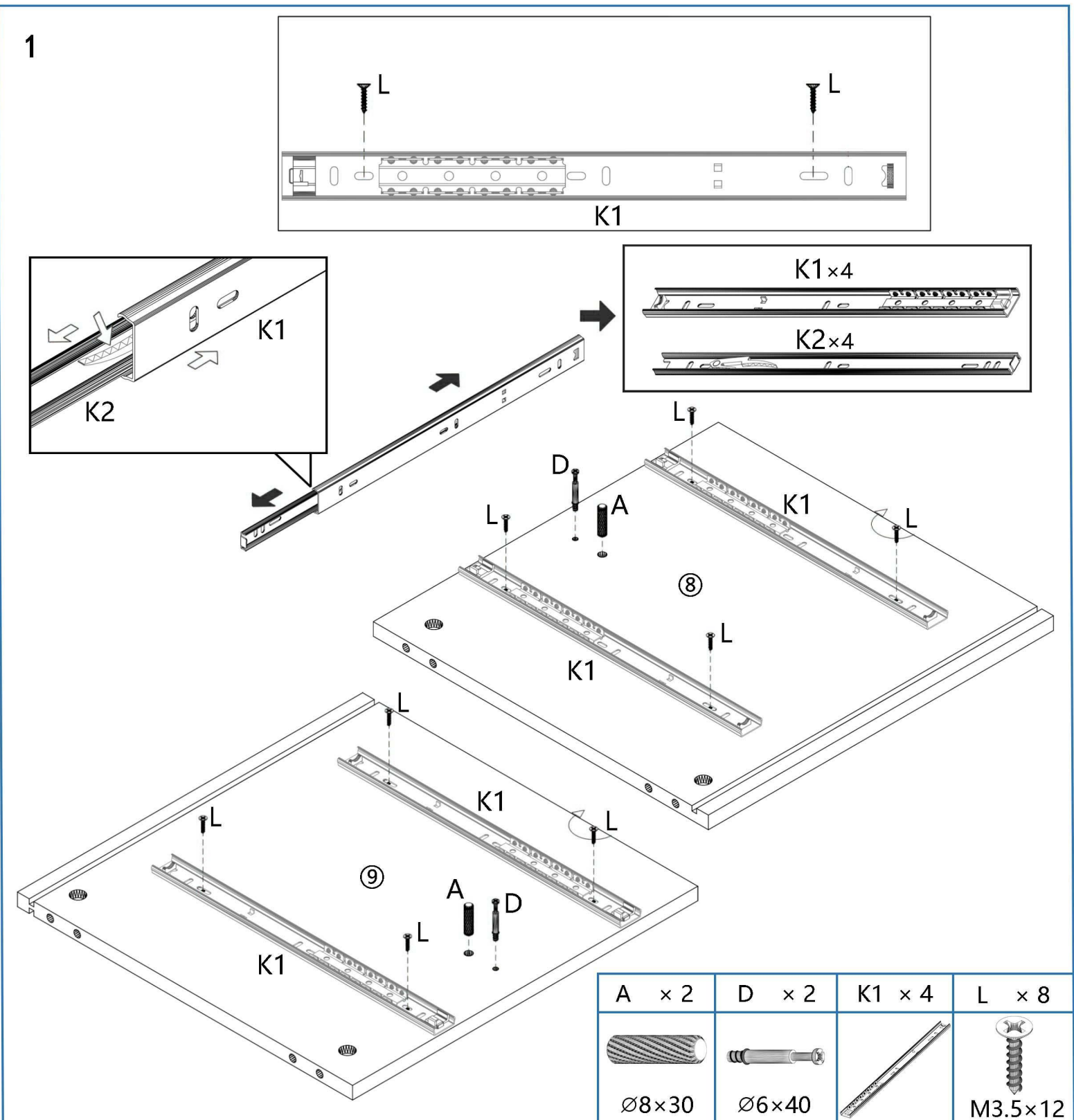
Roemerstrasse 39

AT-4600 Wels

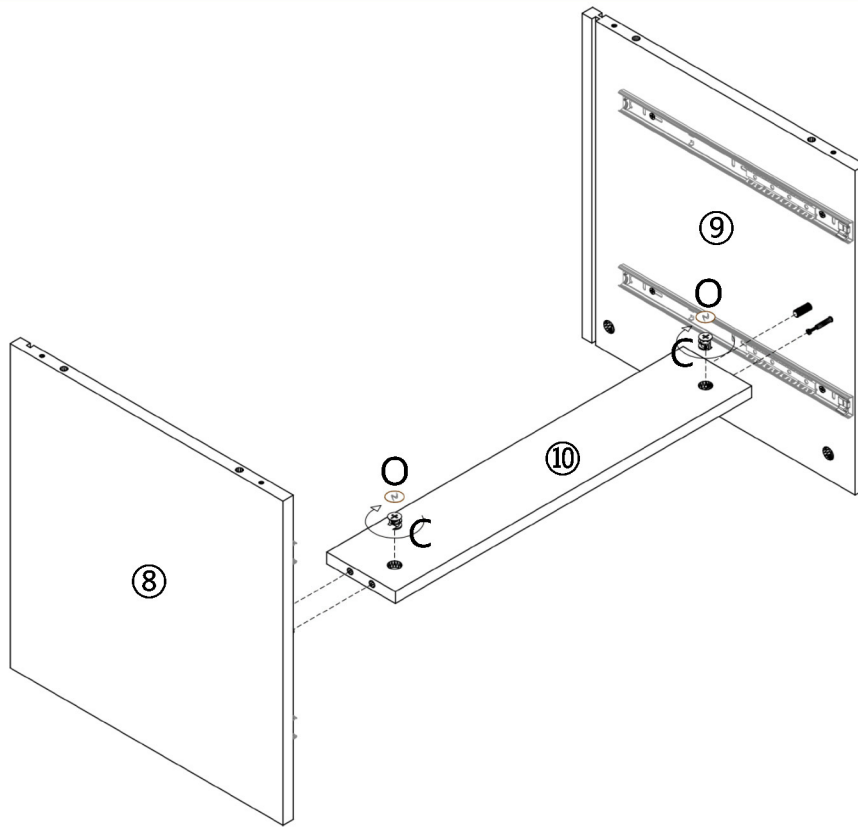


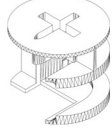
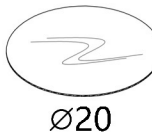


A × 22	B × 8	C × 22	D × 22	E × 6	F × 4	G × 7	H × 22
							
Ø8×30	M7×38		Ø6×40	M6×50	M6×35	M6×25	M6×12
I × 2	J × 12	K × 4	L × 32	M × 6	N × 8	O × 30	P × 1
							
			M3.5×12		M3.5×35	Ø20	

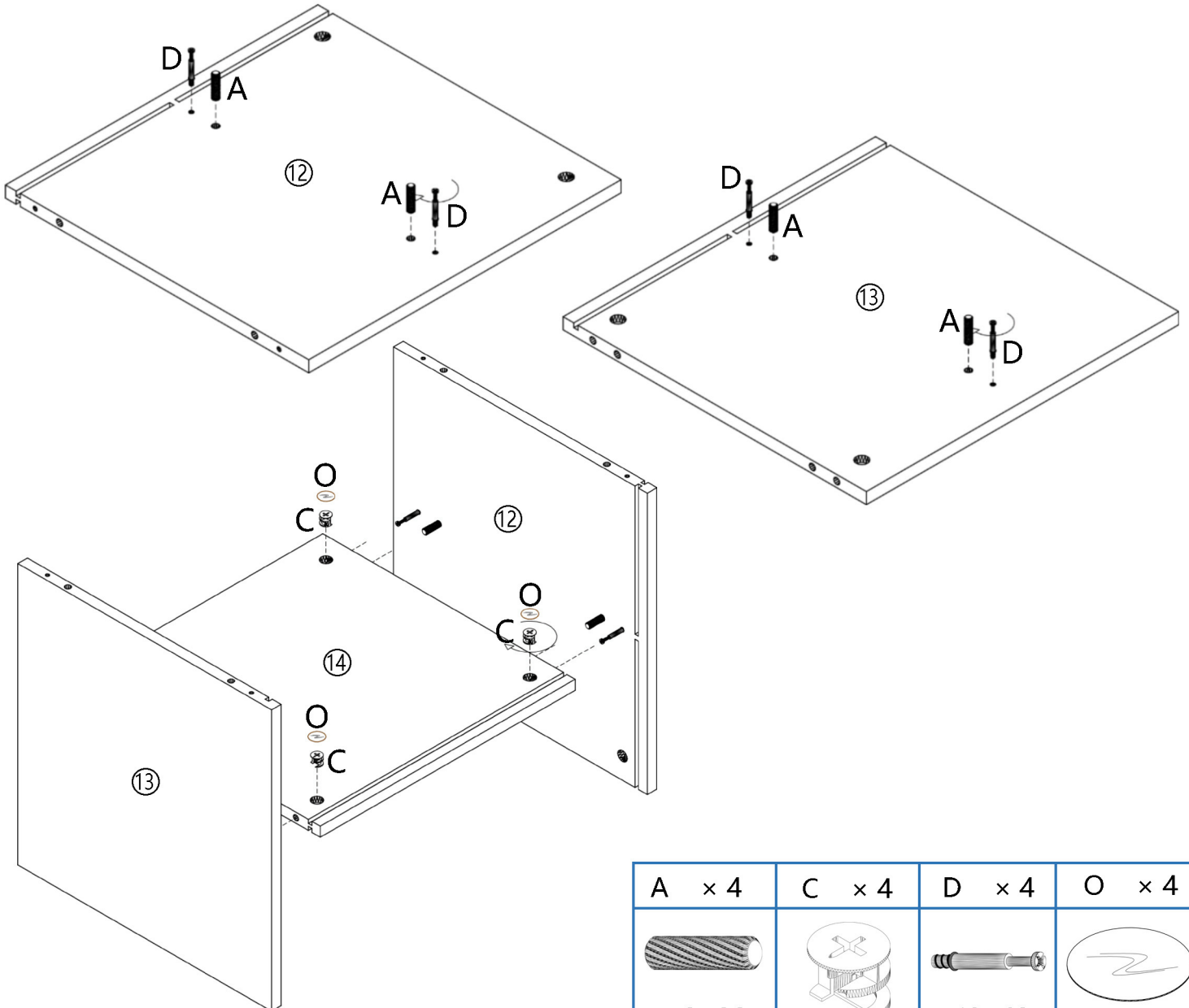


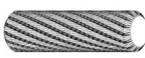
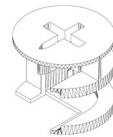

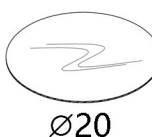
2



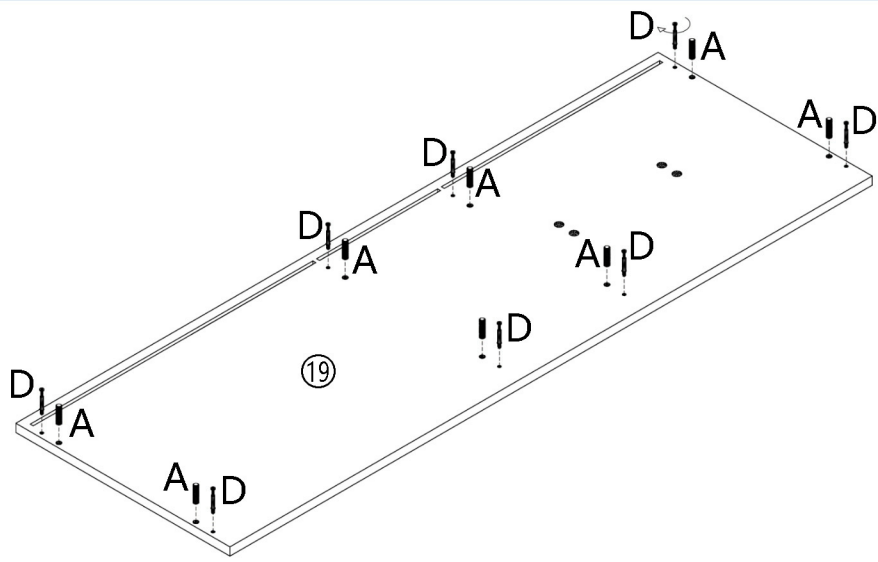
C × 2	O × 2
	
	Ø20

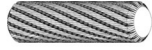

3



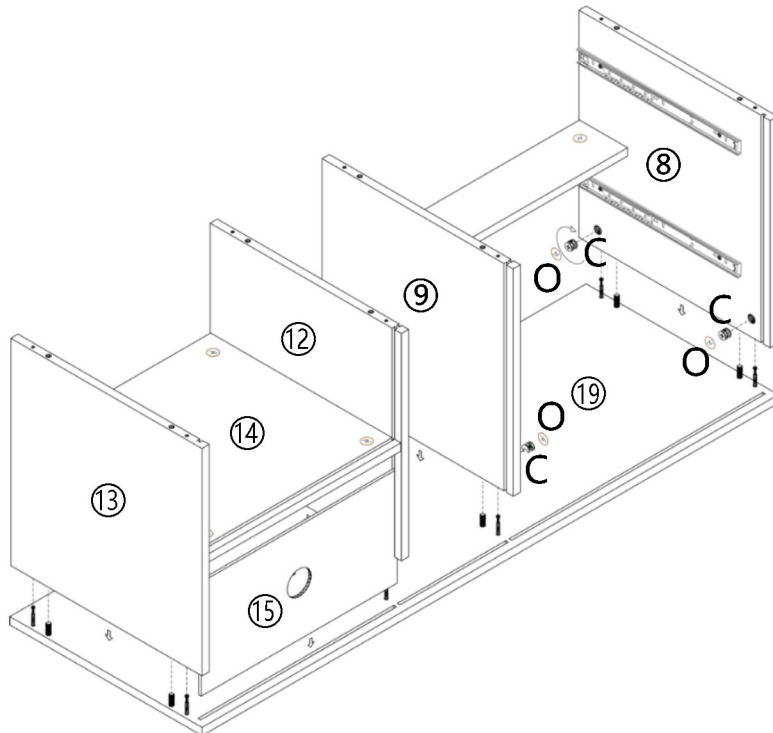
A × 4	C × 4	D × 4	O × 4
			
Ø8×30		Ø6×40	Ø20

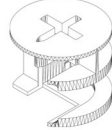

4



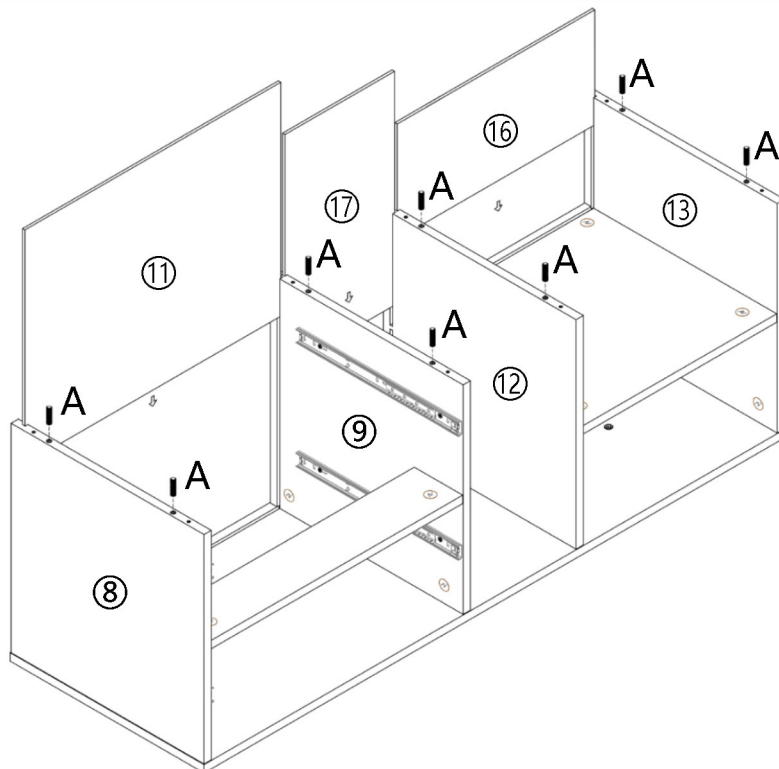
A × 8	D × 8
	
Ø8×30	Ø6×40

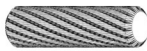
5



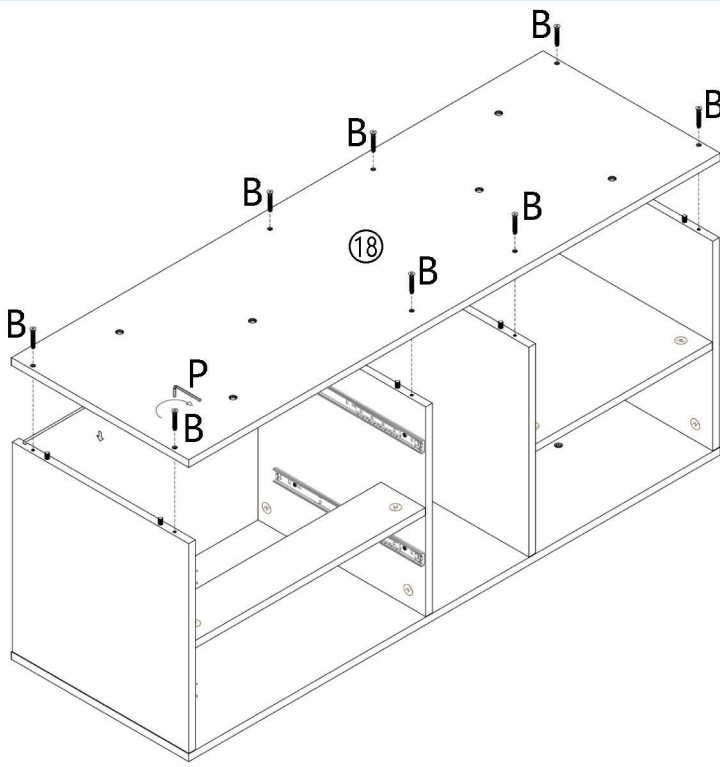
C × 8	O × 8
	
	Ø20



6



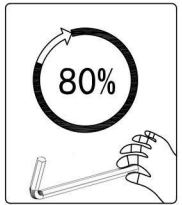
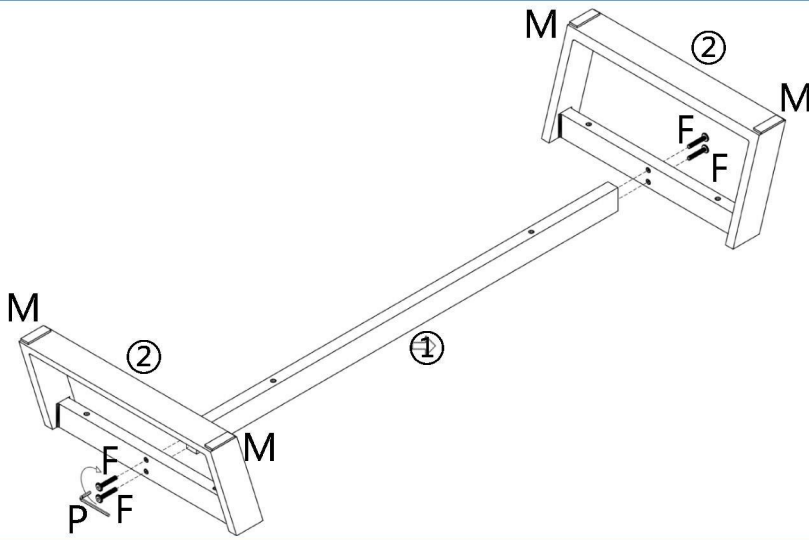
A × 8

Ø8×30


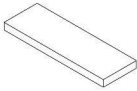

7



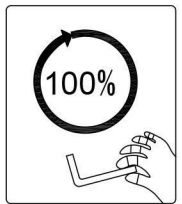
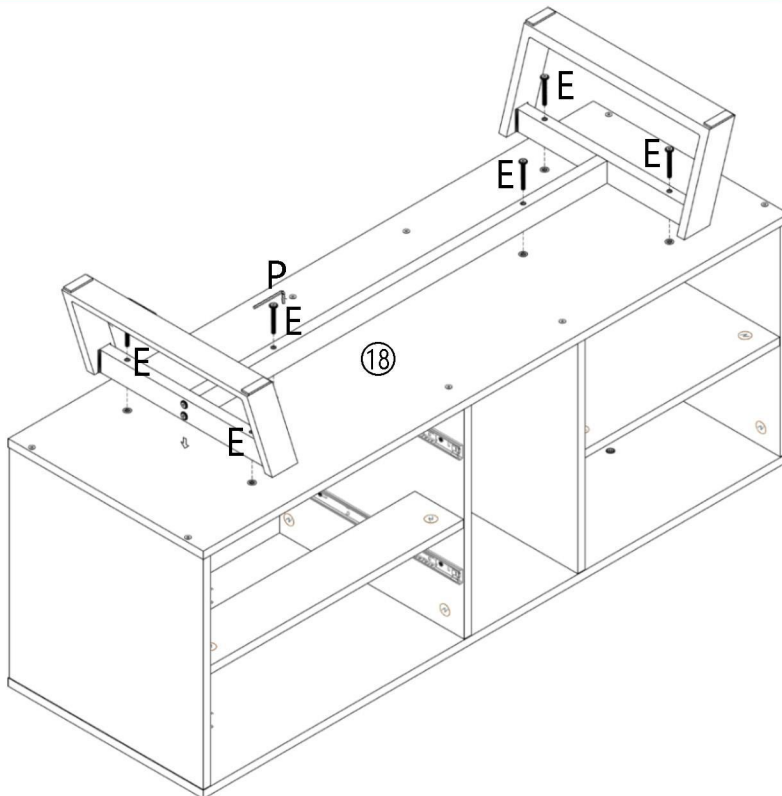
B × 8	P × 1
	
M7×38	



8



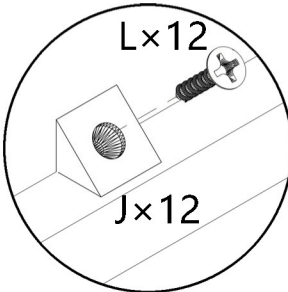
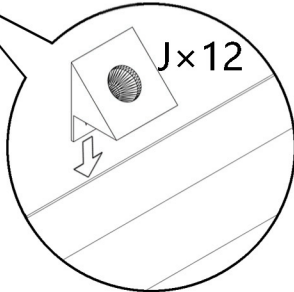
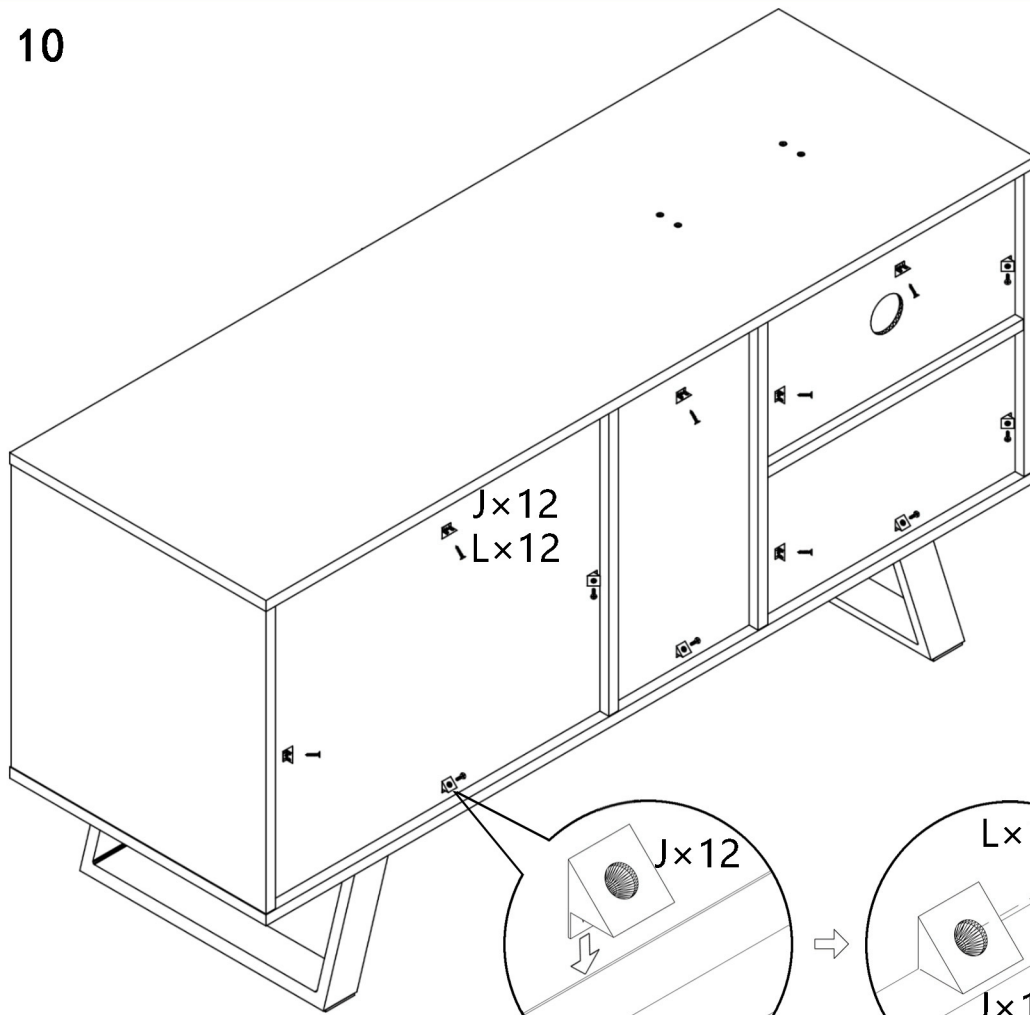
F × 4	M × 4	P × 1
		
M6×35		

9



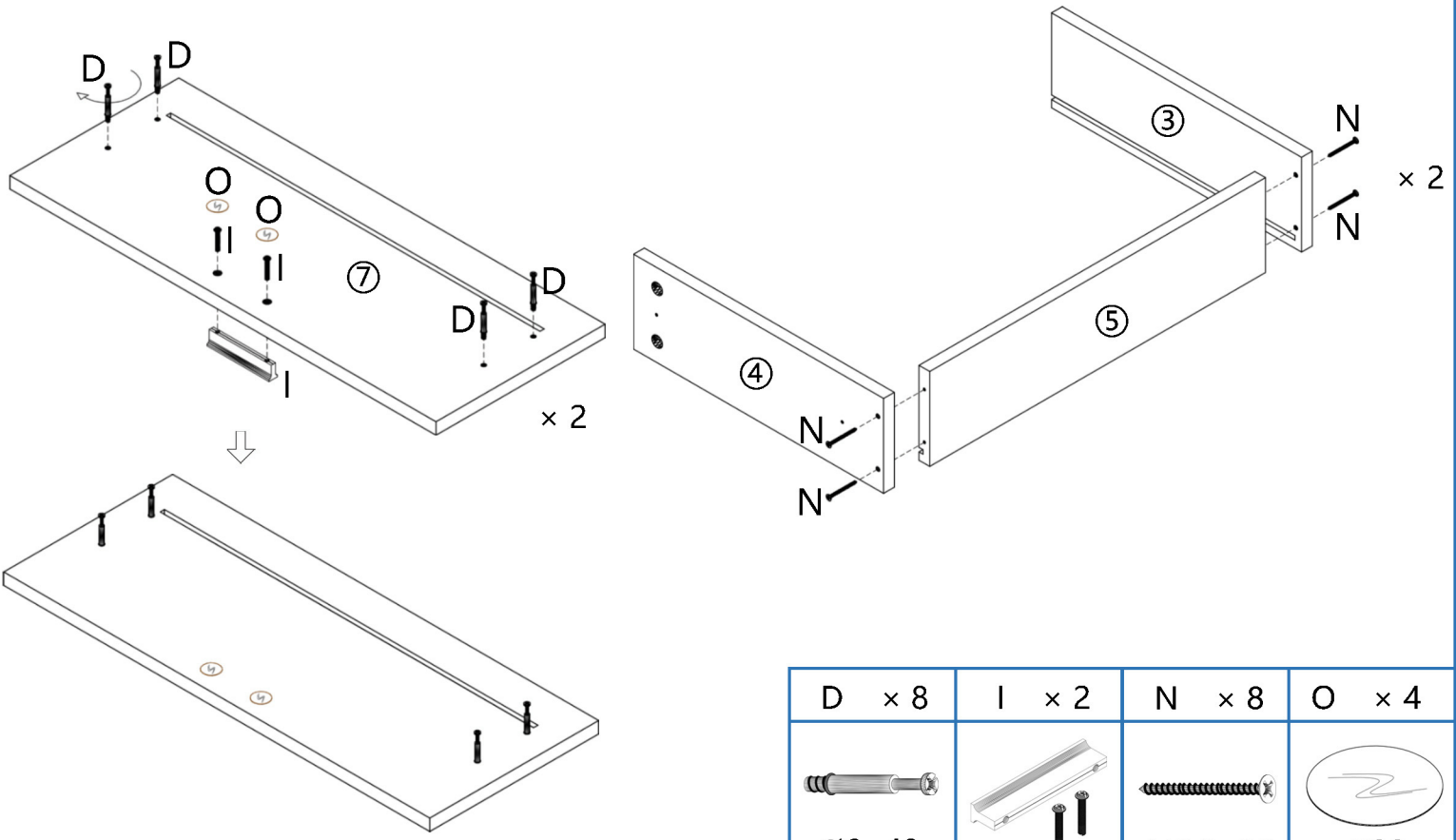
E × 6	P × 1
	
M6×50	

10



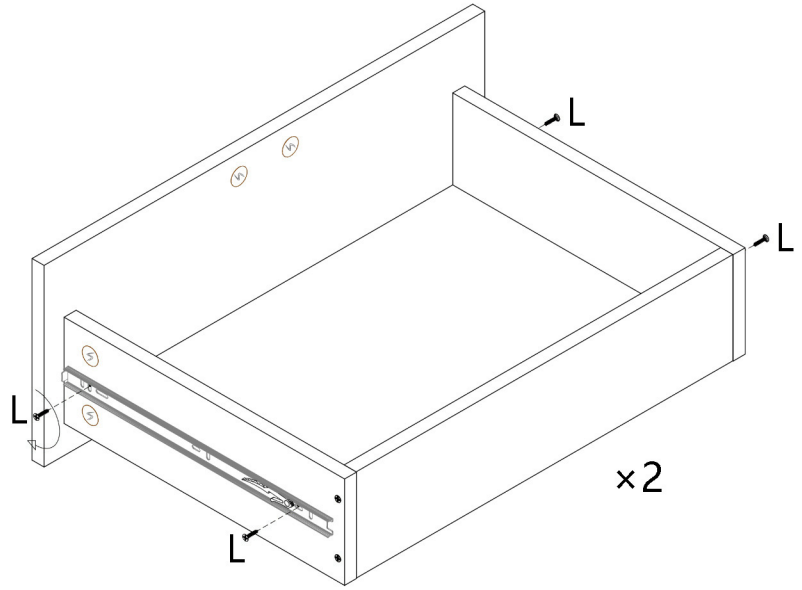
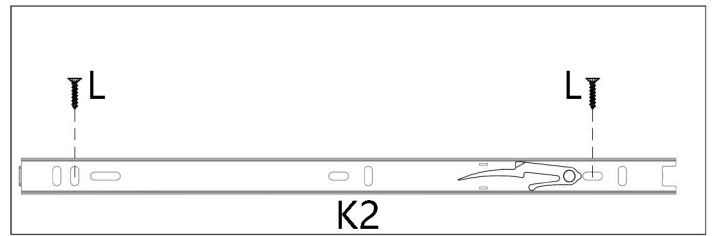
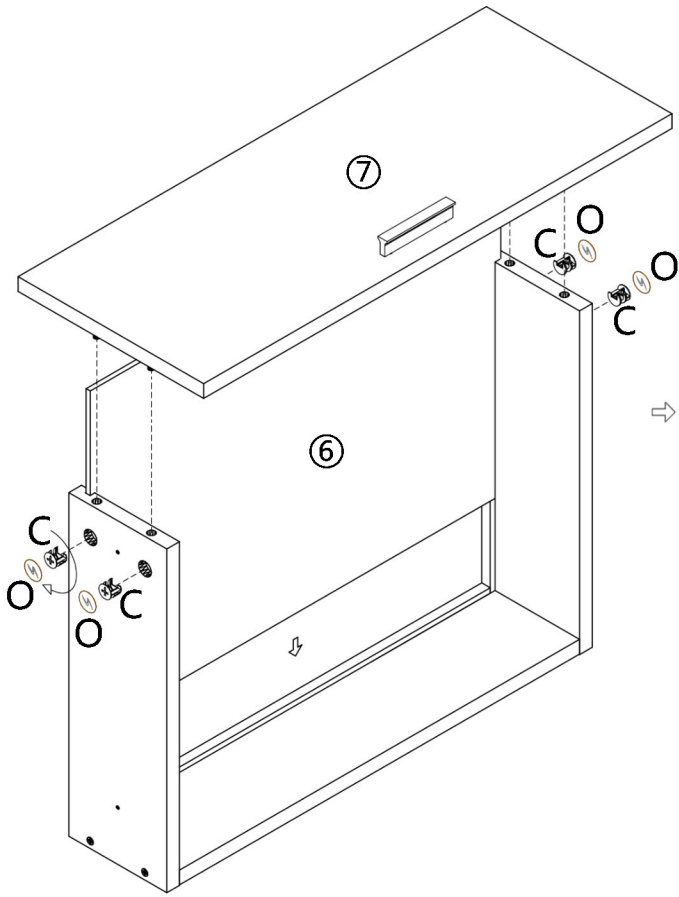
J × 12	L × 12
	M3.5×12

11



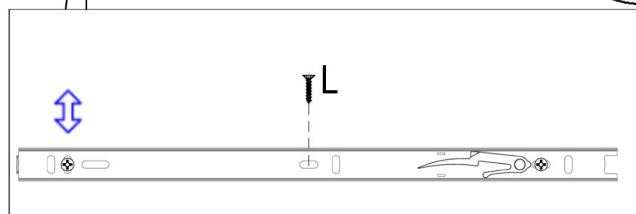
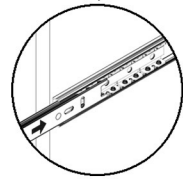
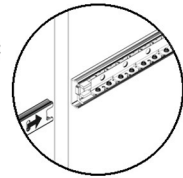
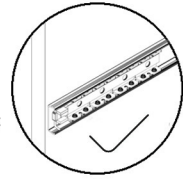
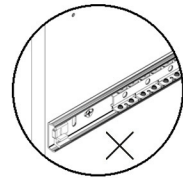
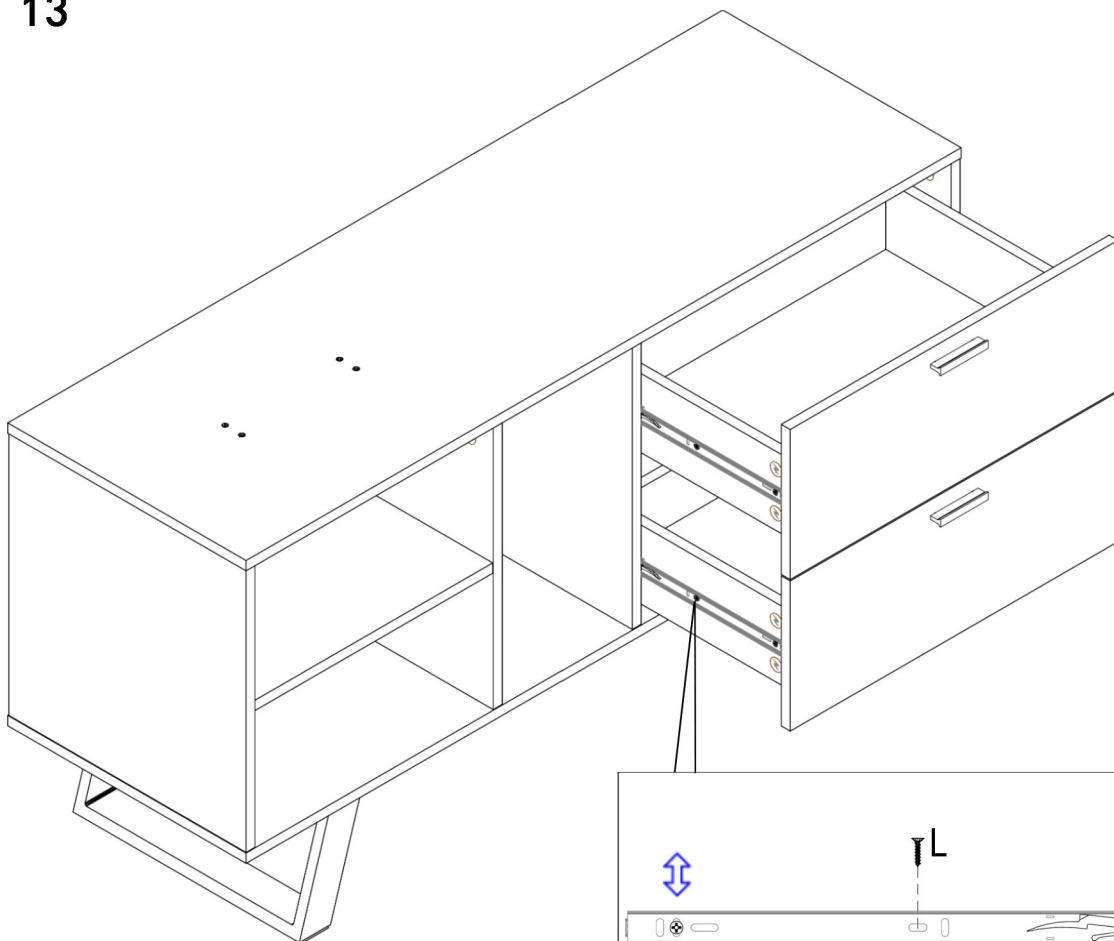
D × 8	I × 2	N × 8	O × 4
Ø6×40		M3.5×35	Ø20

12

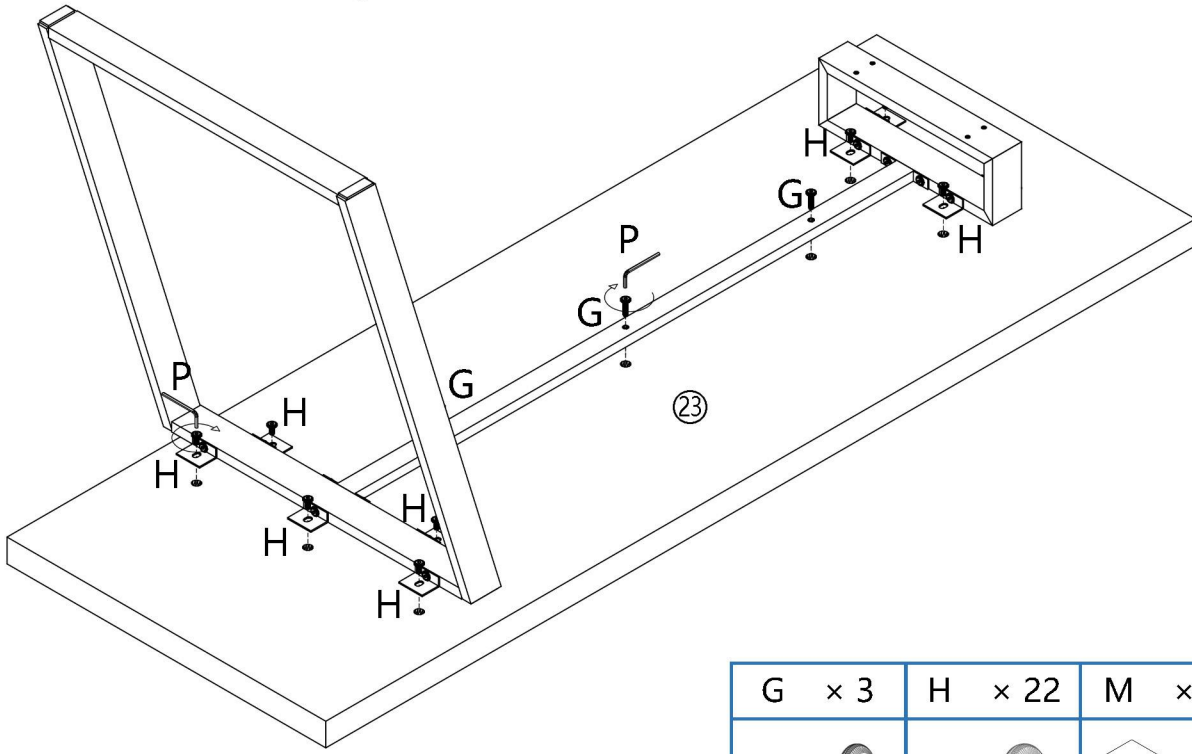
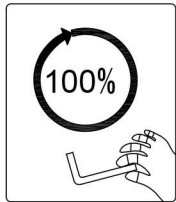
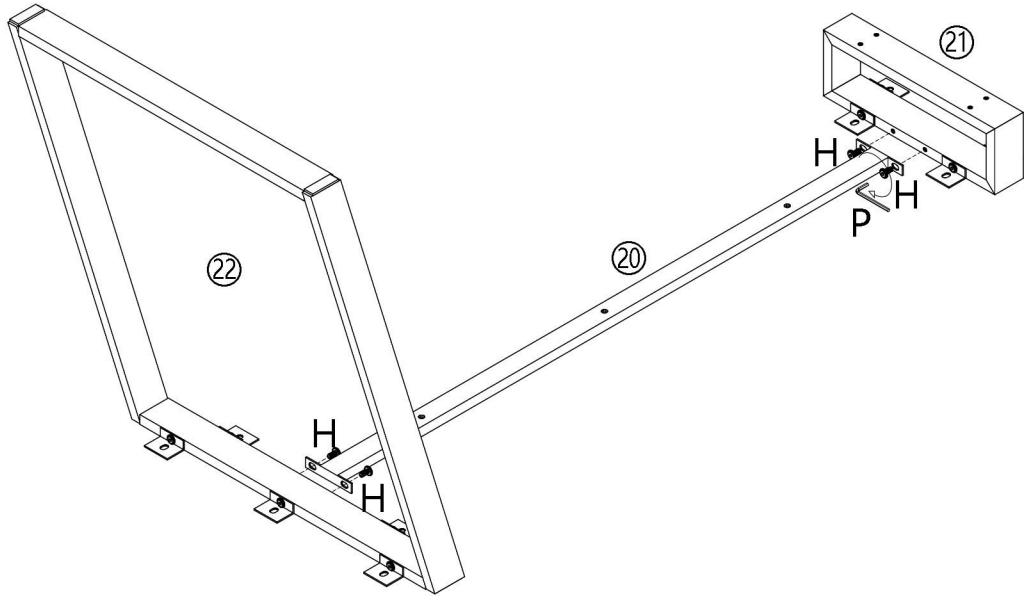
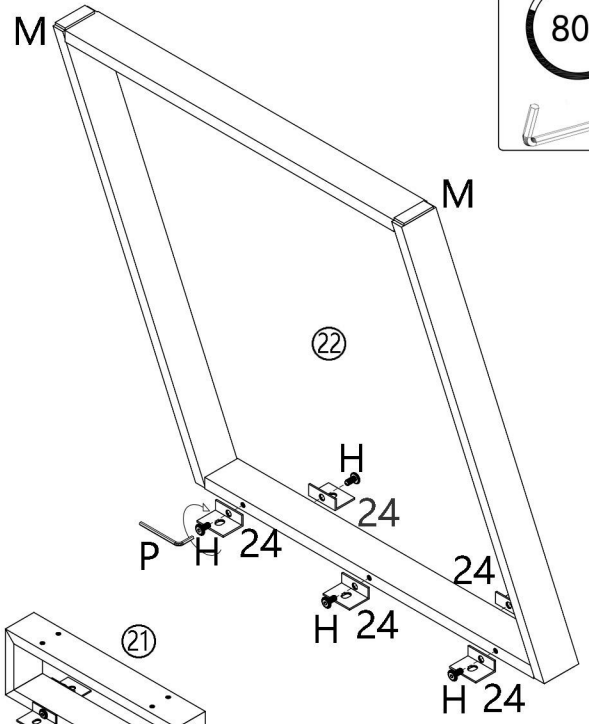
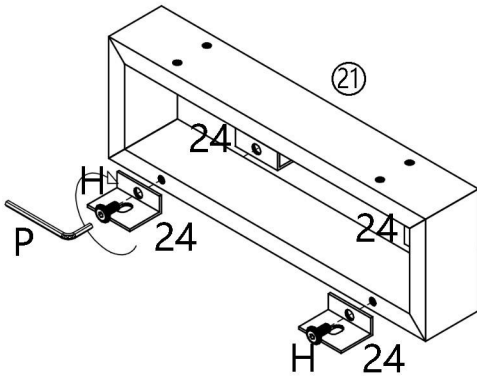
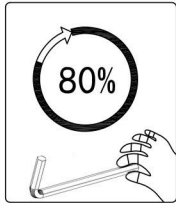


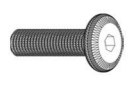

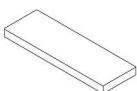

K2 x 4	C x 8	L x 8	O x 8
		M3.5x12	Ø20

13

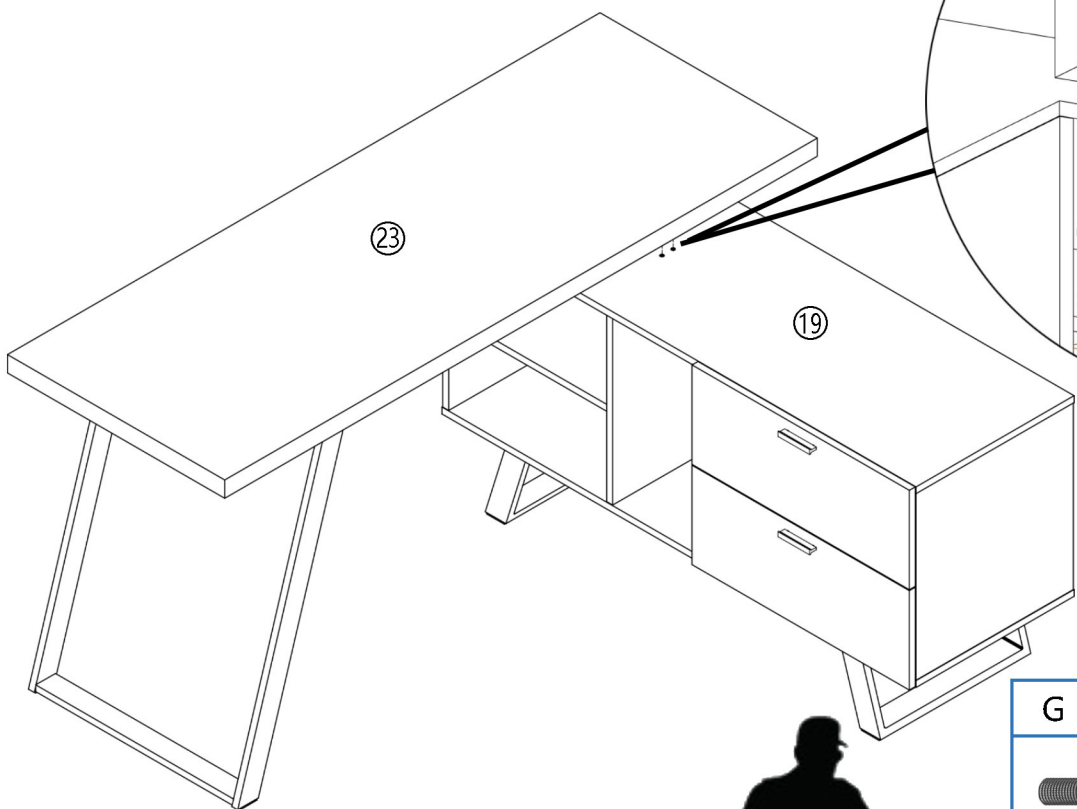





L x 4
M3.5x12



G × 3	H × 22	M × 2	P × 1
			
M6×25	M6×12		

15



G × 4	O × 4	P × 1
		
M6×25	Ø20	

16

