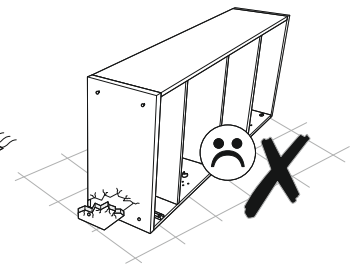
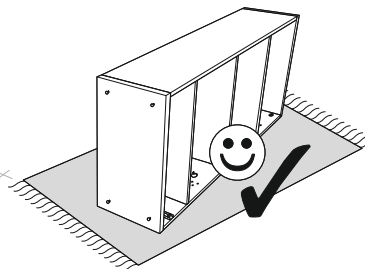
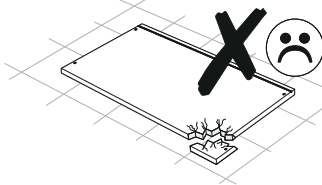
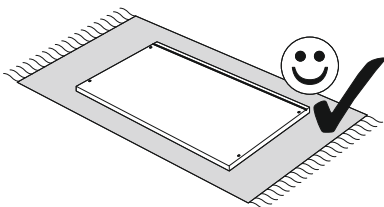
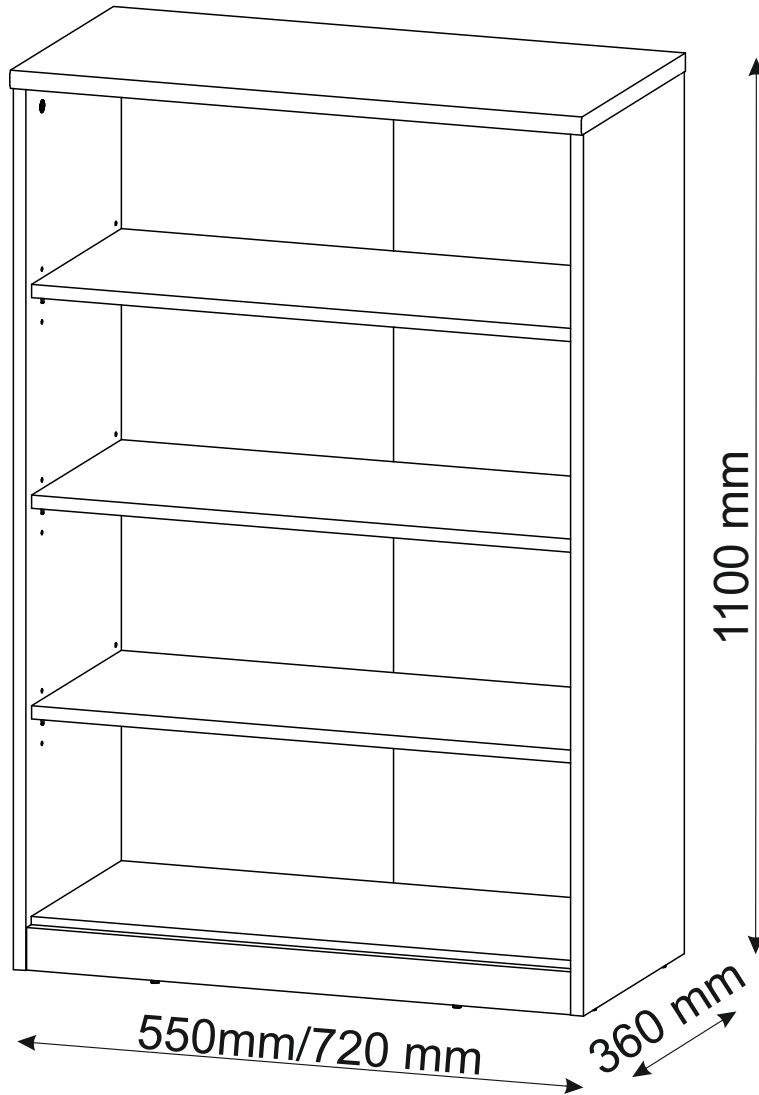
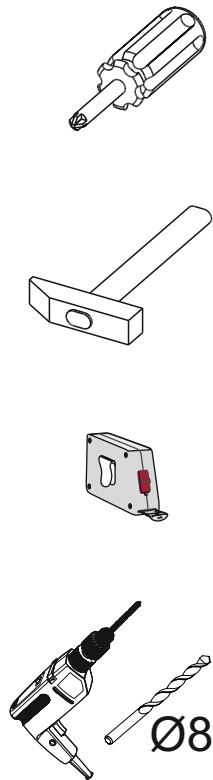
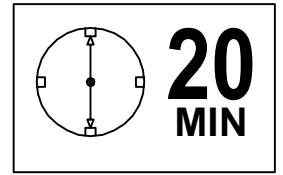
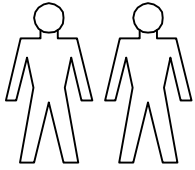

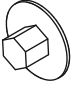





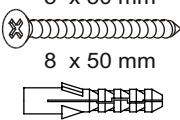
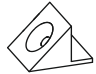

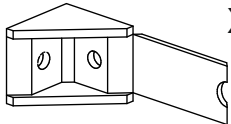
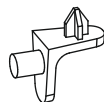
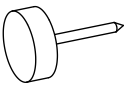


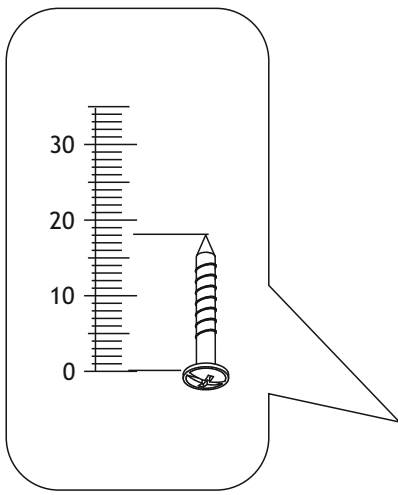
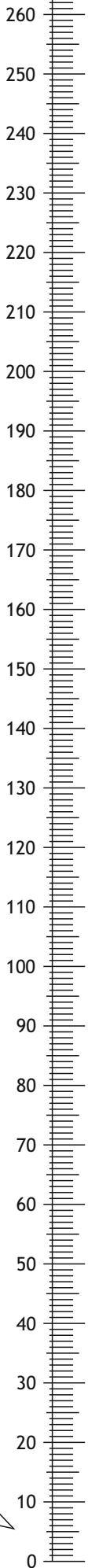
EASY TYP 203 / 204



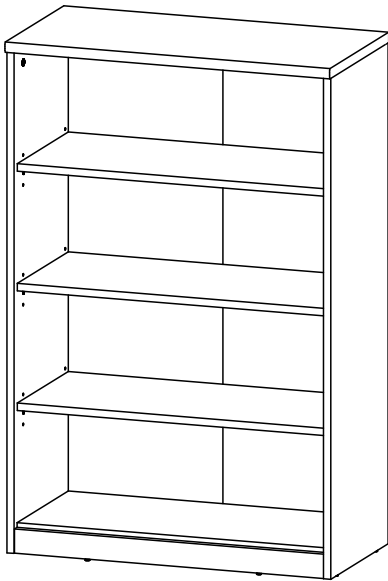
EASY TYP 203 / 204

MM


<p>A0 8 x 30mm x10</p> 	<p>C0 x4</p> 	<p>C2 x8</p> 
<p>C7 x8</p>  <p>16mm</p>	<p>D0 3 x 15 mm x10</p> 	<p>D5 3,5 x 16 mm x8</p> 
<p>D21 5 x 13 mm x1</p> 	<p>E0 5 x 50 mm x1 8 x 50 mm</p> 	<p>M1 x10</p> 
<p>P0 x1</p> 	<p>P20 x4</p> 	<p>Q3 x12</p> 
<p>T3 x6</p> 		

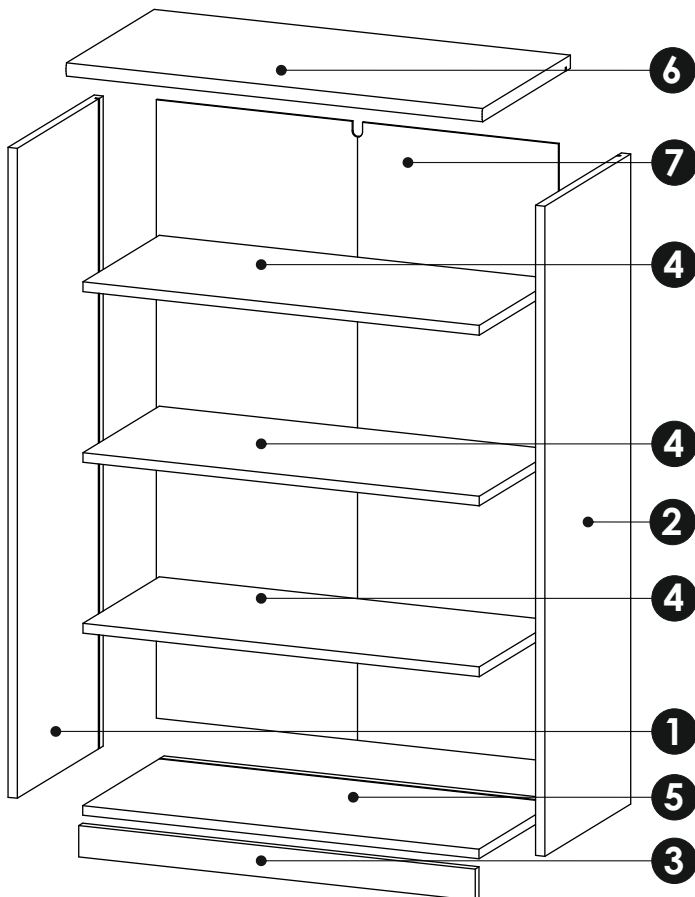


EASY TYP 203 / 204




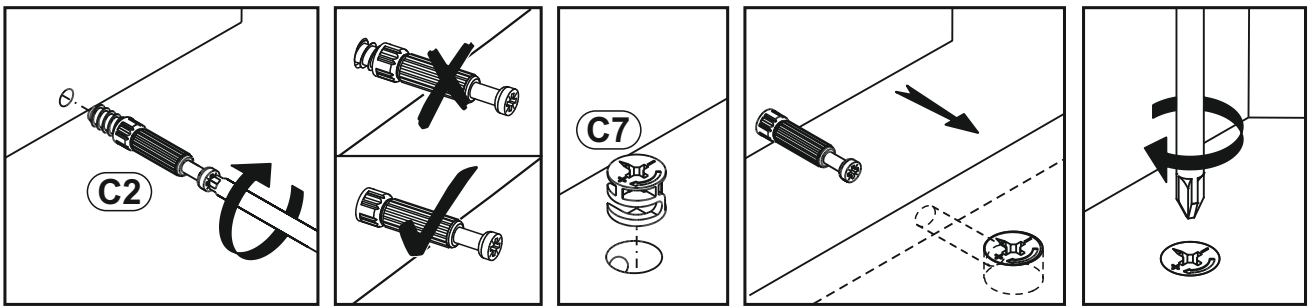
TYP 203

1	1072	350	16	x1	1/1
2	1072	350	16	x1	1/1
3	516	52	16	x1	1/1
4	516	310	16	x3	1/1
5	516	332	16	x1	1/1
6	550	360	22	x1	1/1
7	1020	526	2,8	x1	1/1
					1/1



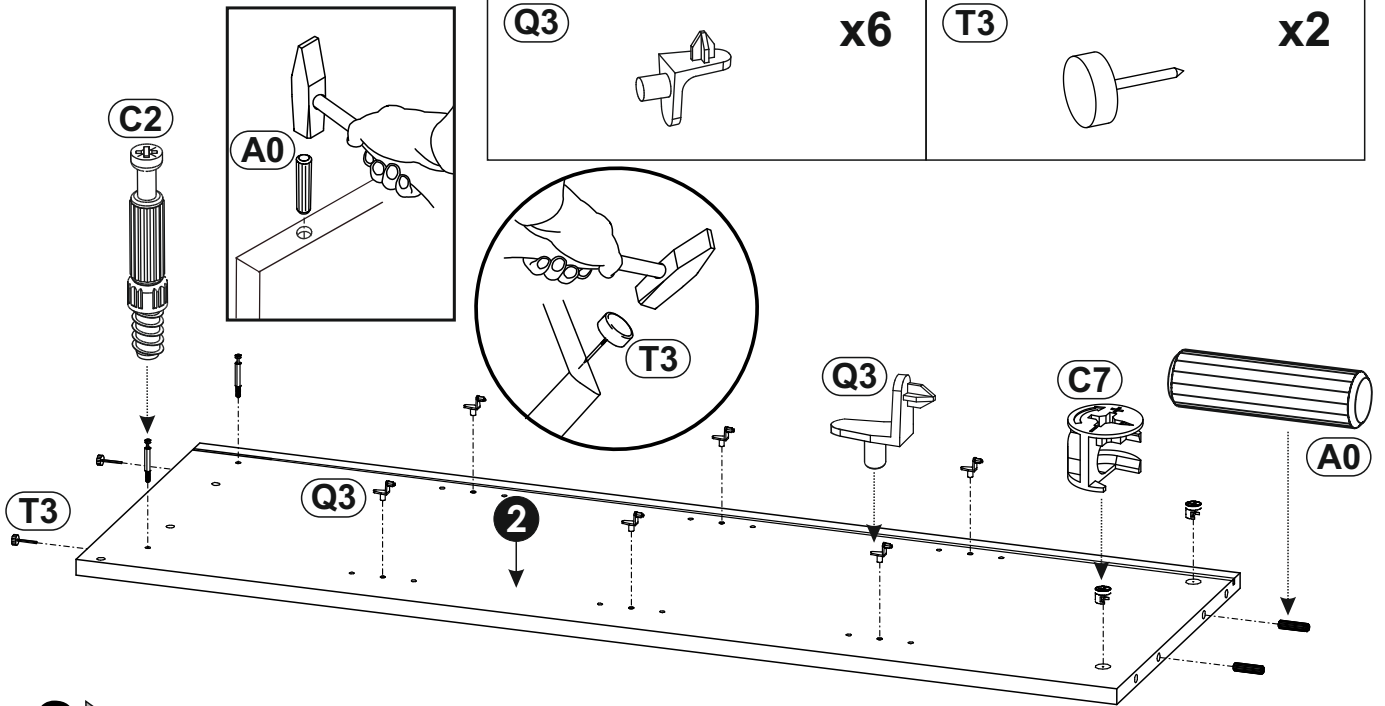
TYP 204

1	1072	350	16	x1	1/1
2	1072	350	16	x1	1/1
3	686	52	16	x1	1/1
4	686	310	16	x3	1/1
5	686	332	16	x1	1/1
6	720	360	22	x1	1/1
7	1020	696	2,8	x1	1/1
					1/1



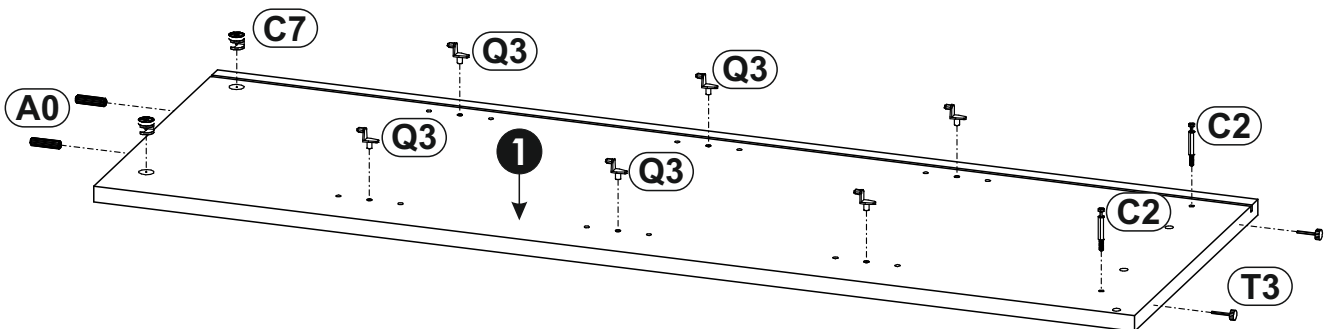
1 ▶

A0 8 x 30mm x2	C2 x2	C7 16mm x2
	Q3 x6	T3 x2



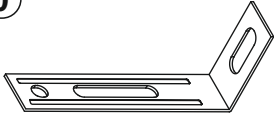


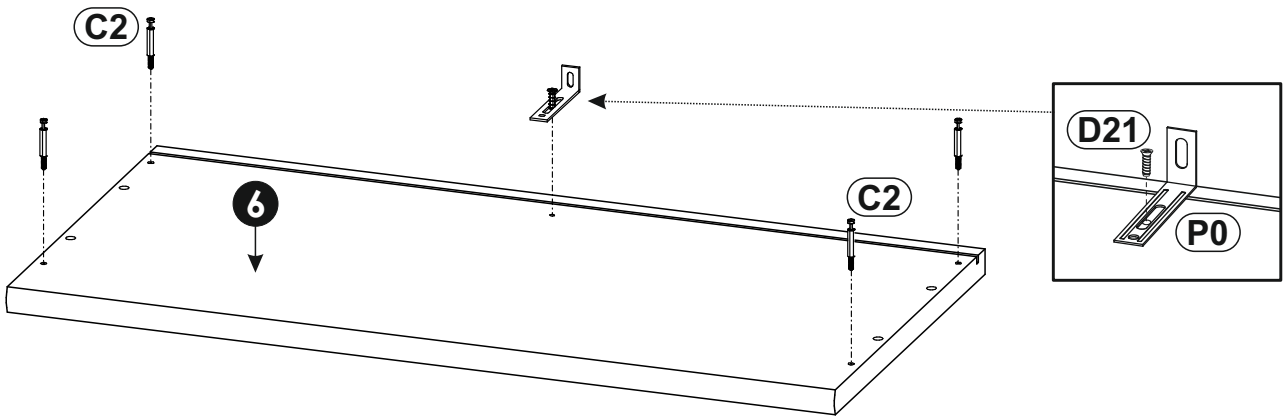
2 ▶

A0 8 x 30mm x2	C2 x2	C7 16mm x2
Q3 x6	T3 x2	





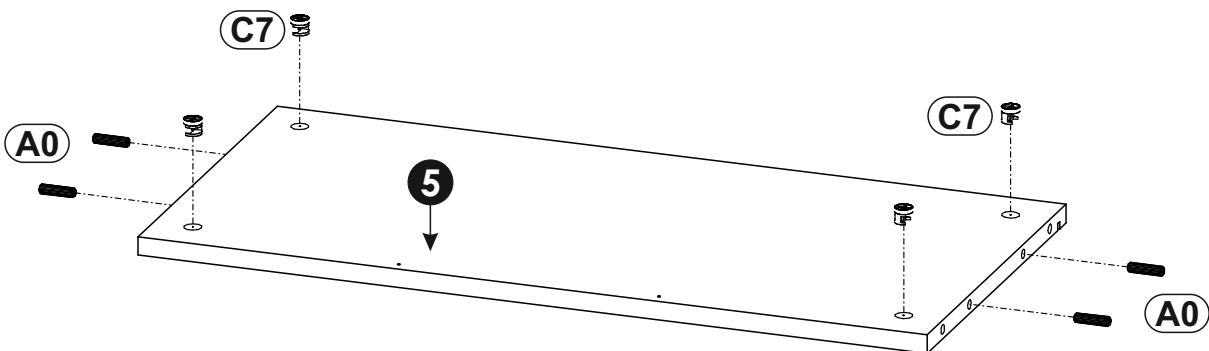
3 ▶

(C2)  x4	(D21) 5 x 13 mm  x1	(P0)  x1
---	---	---



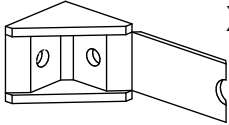
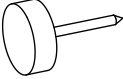


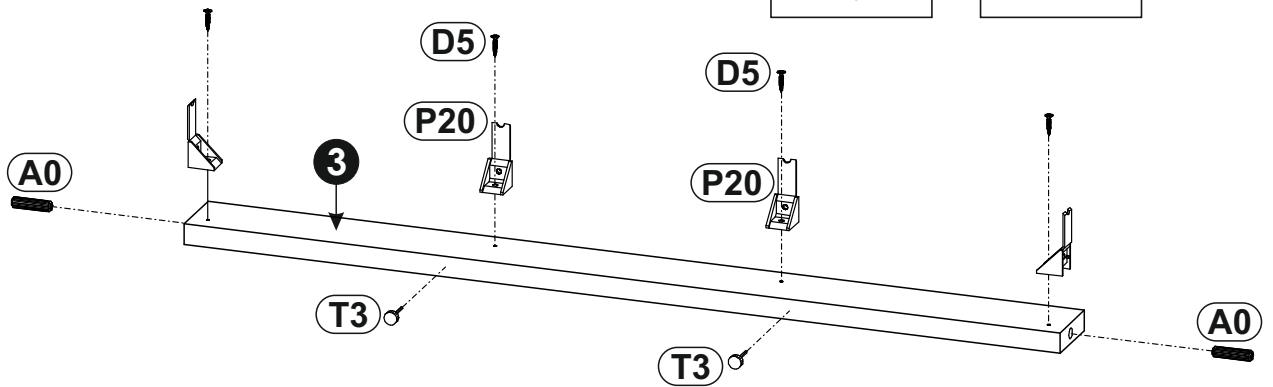
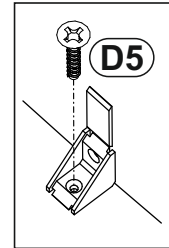
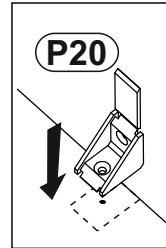
4 ▶

(A0) 8 x 30mm  x4	(C7) 16mm  x4
---	---




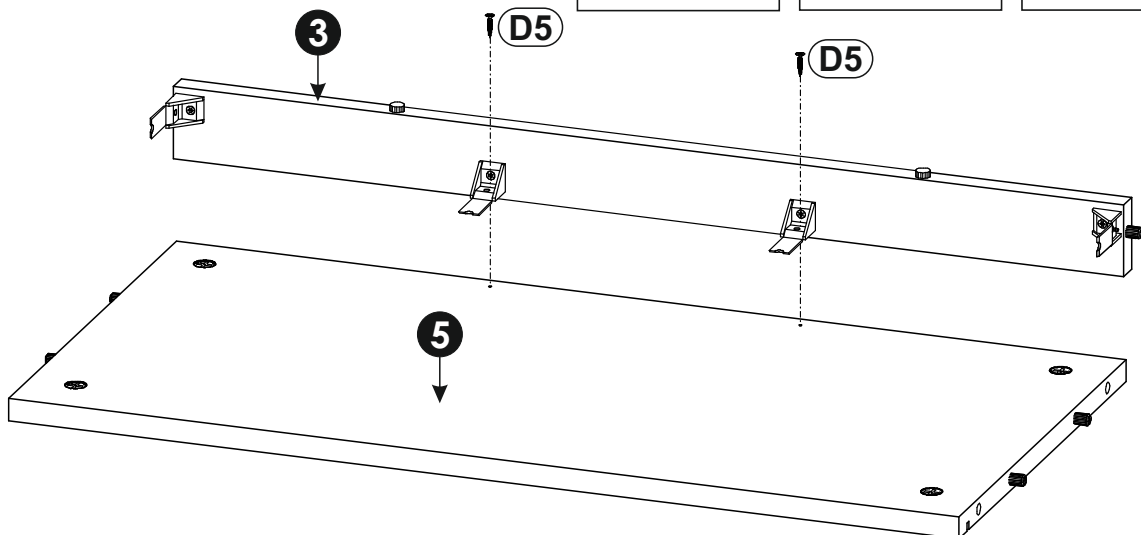
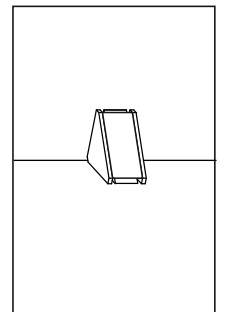
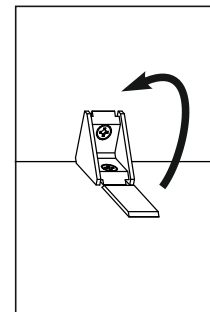
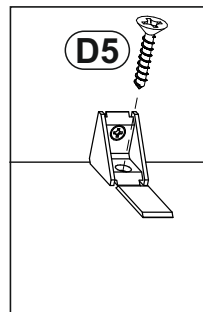
5 ▶

<p>(A0) 8 x 30mm x2</p> 	<p>(D5) 3,5 x 16 mm x4</p> 	<p>(P20) x4</p> 
<p>(T3) x2</p> 		

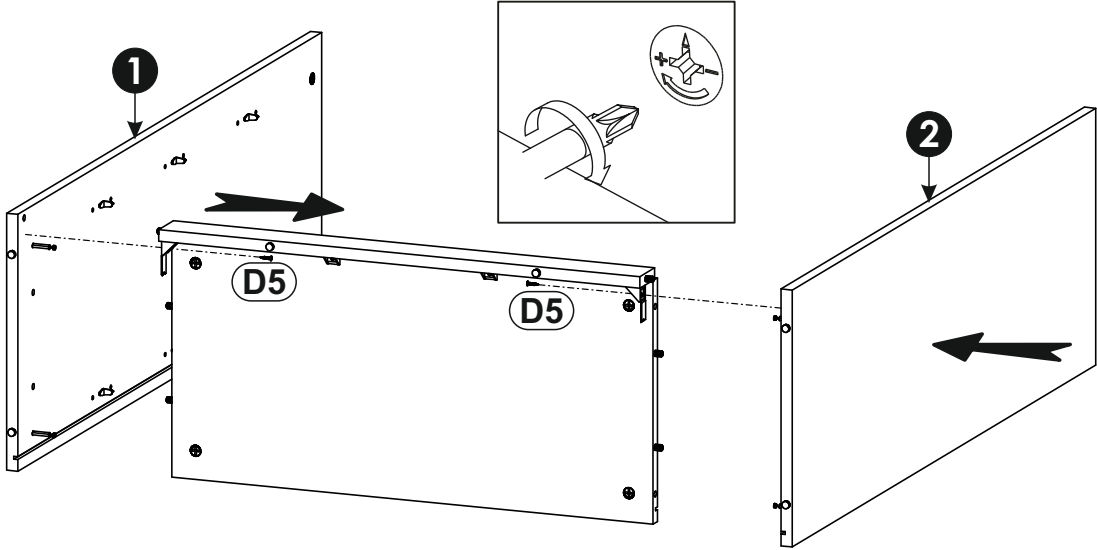
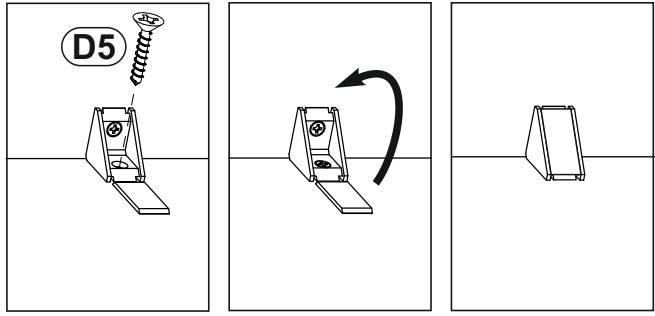
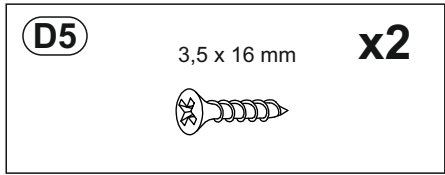


6 ▶

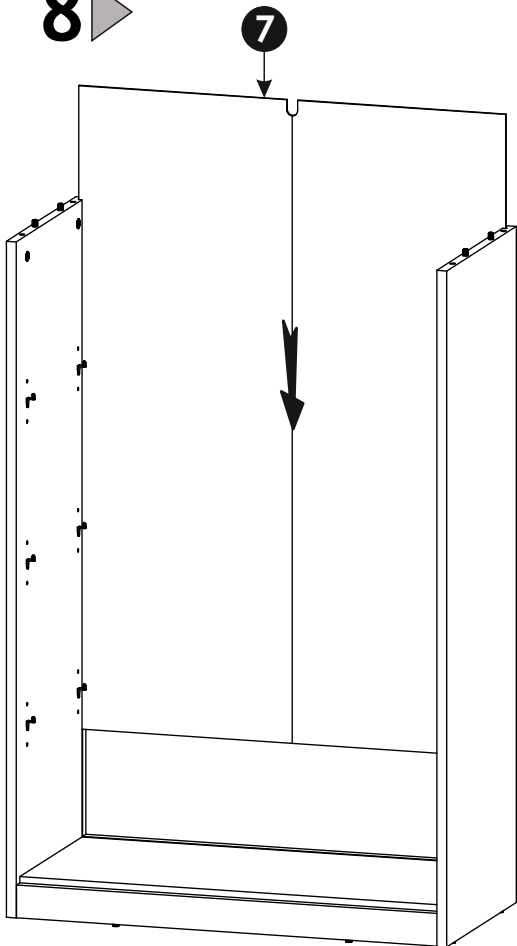
<p>(D5) 3,5 x 16 mm x2</p> 
--



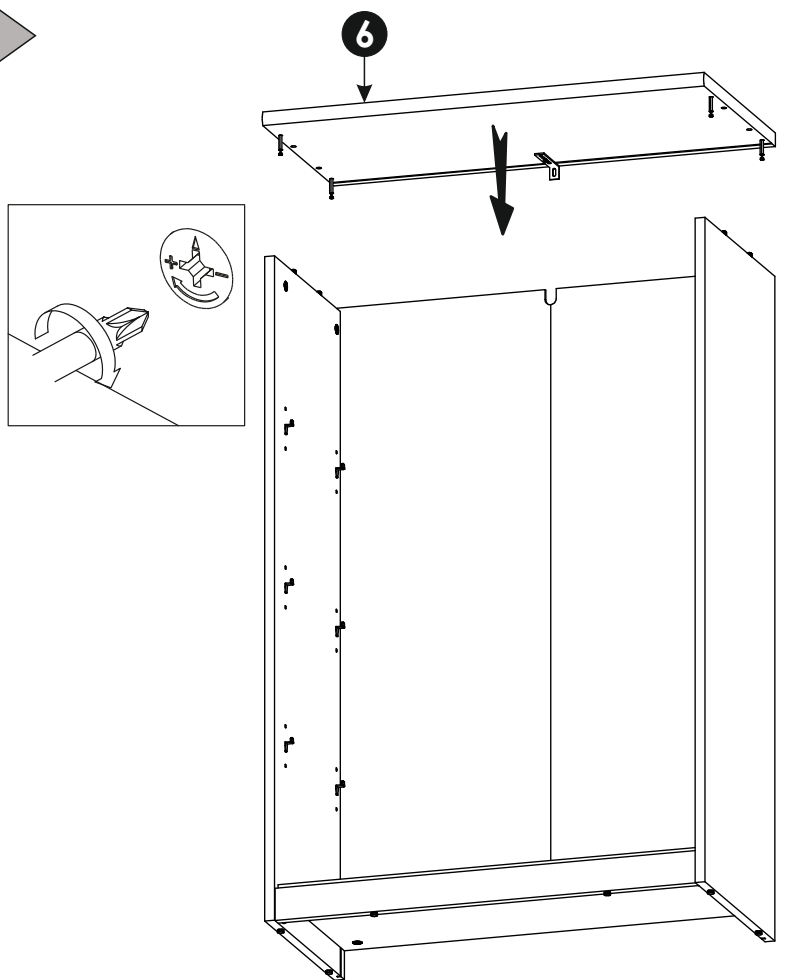
7 ▶



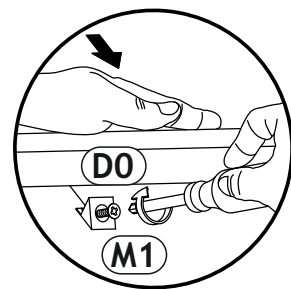
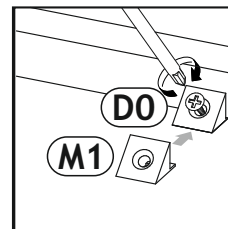
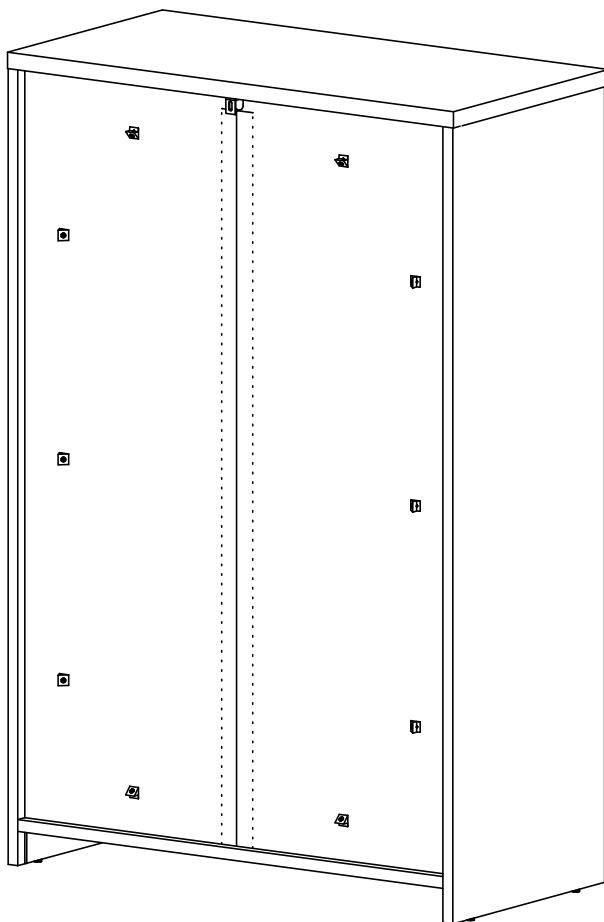
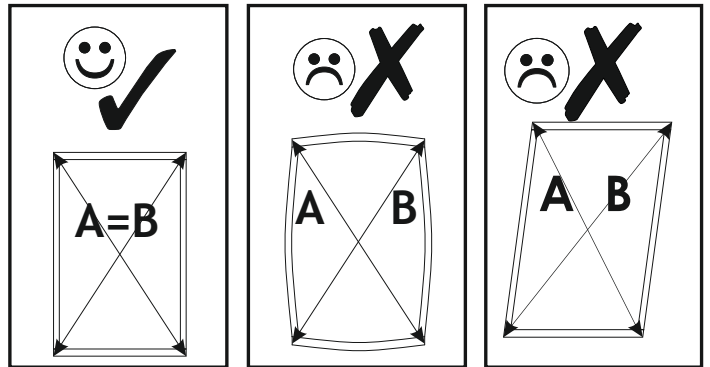
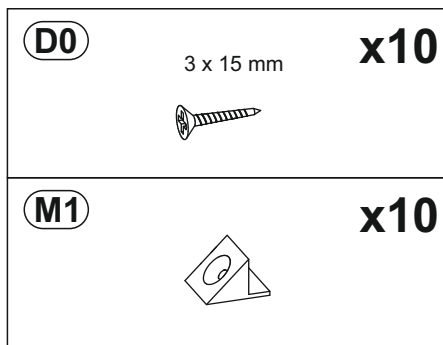
8 ▶



9 ▶

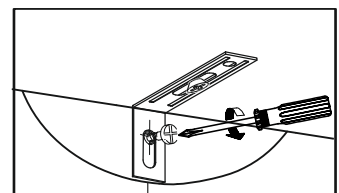
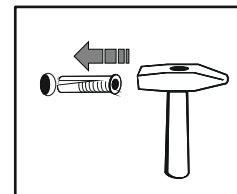
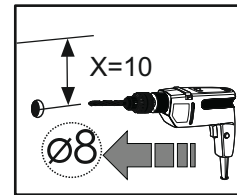
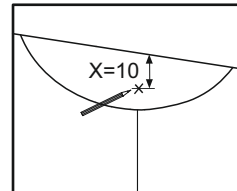
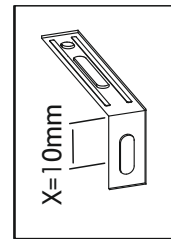
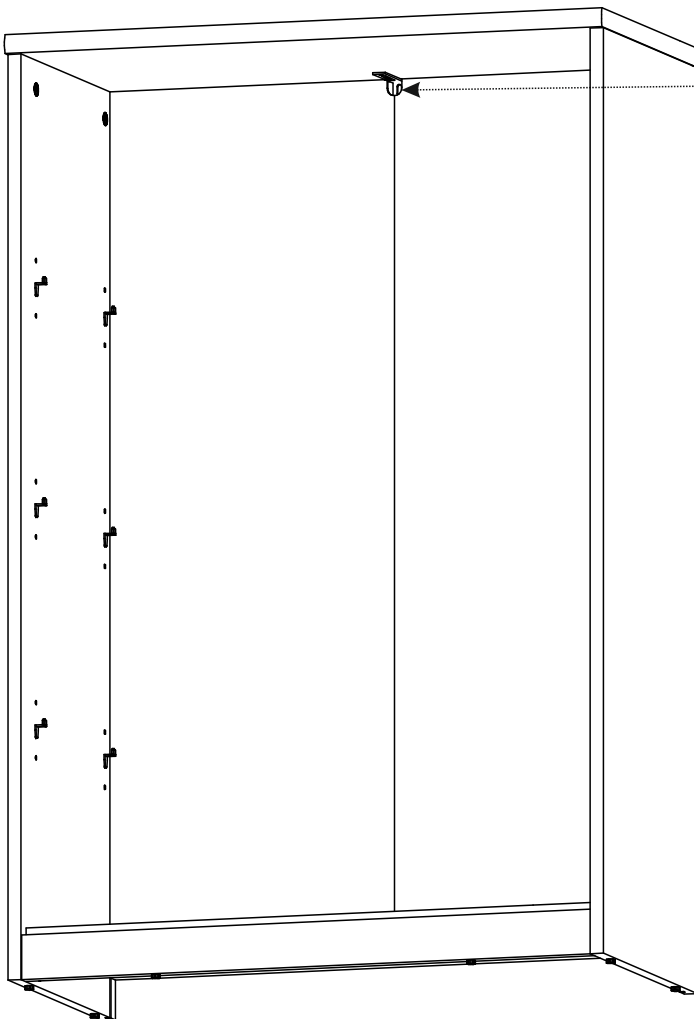
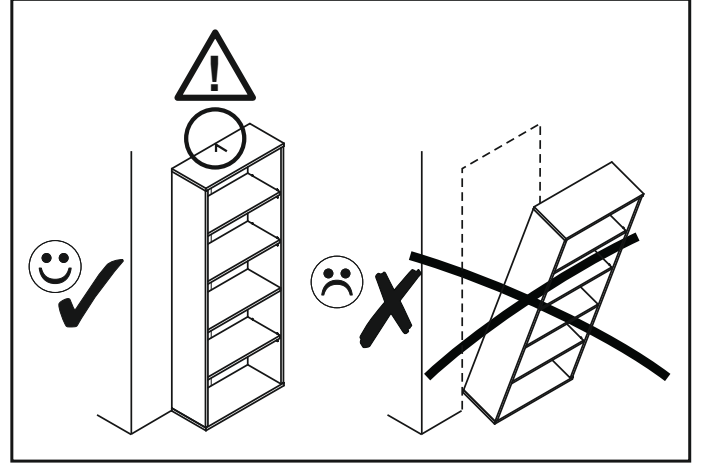
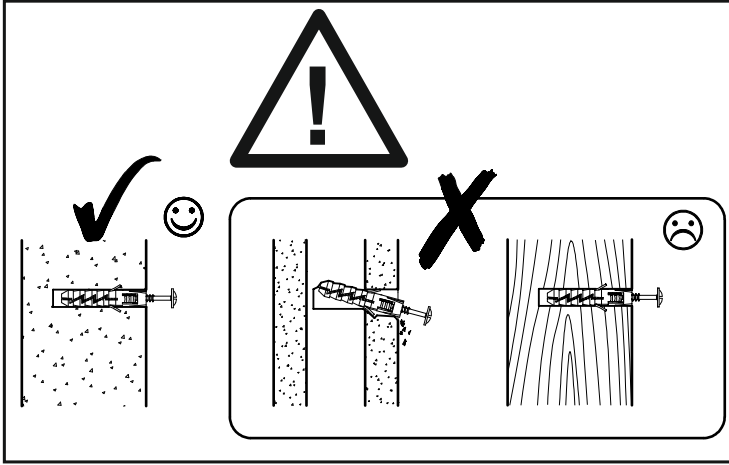
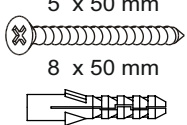


10 ▶



11 ▶

E0 5 x 50 mm **x1**
8 x 50 mm



12▶

