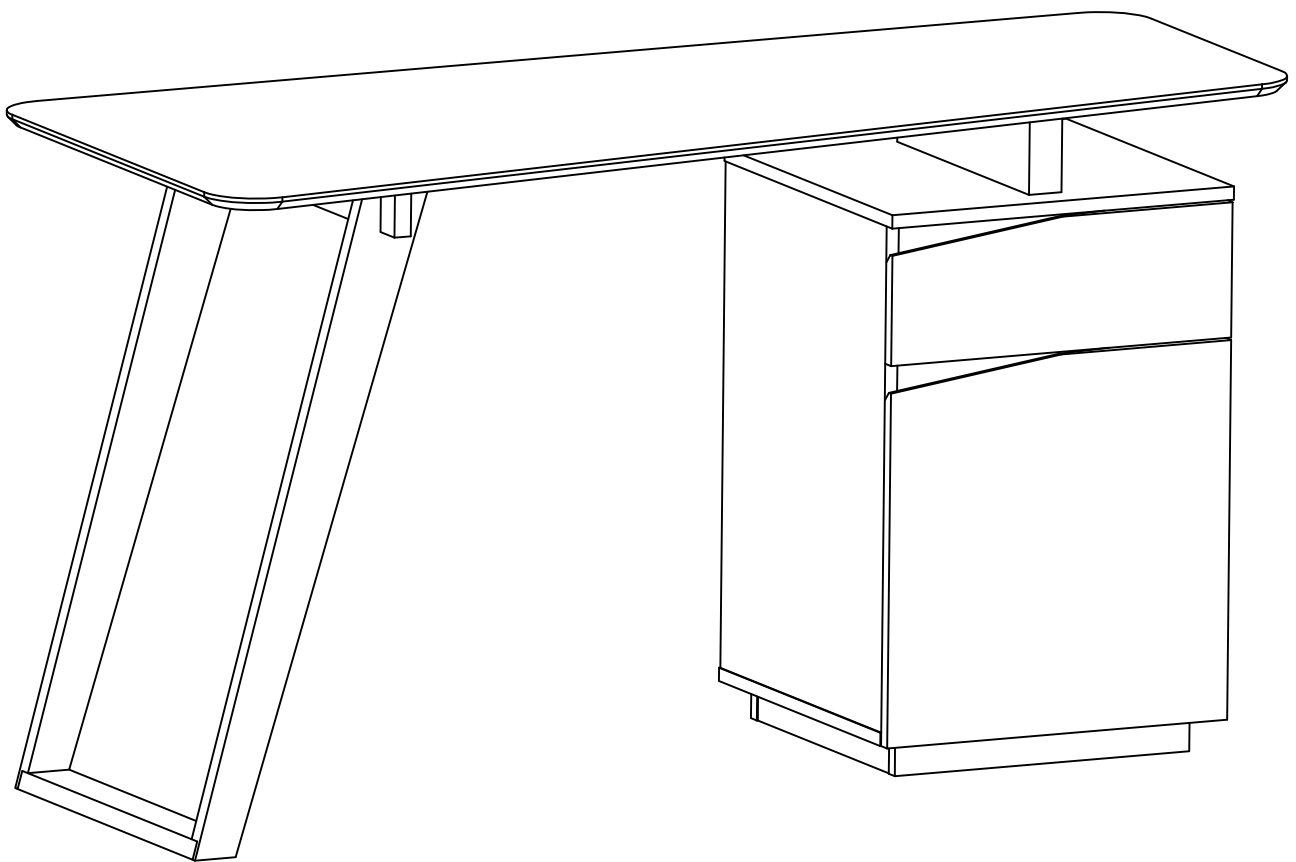
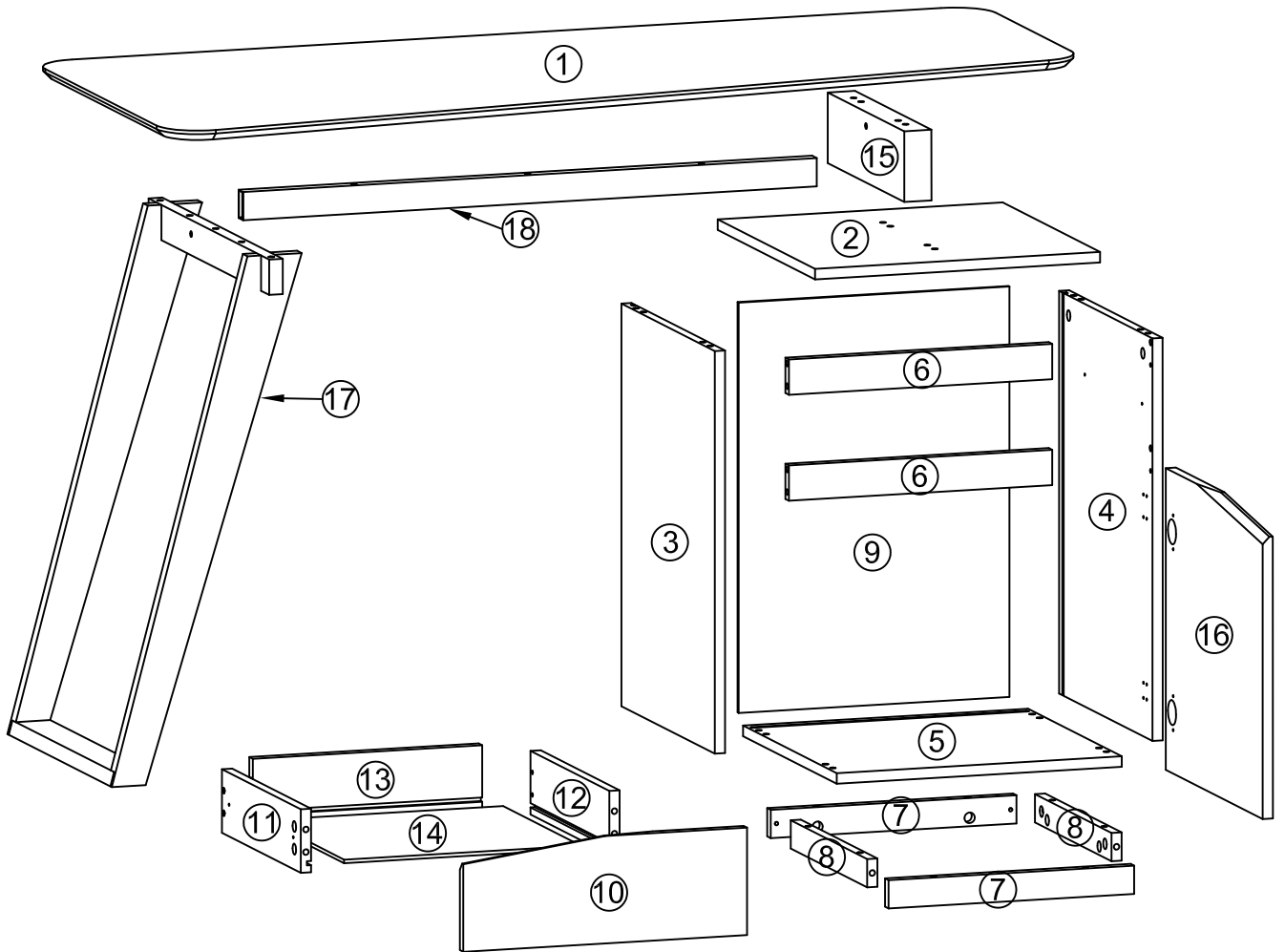


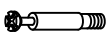


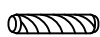
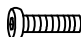
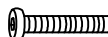
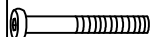



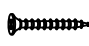
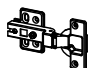





# Assemble instruction

## 27980044/01

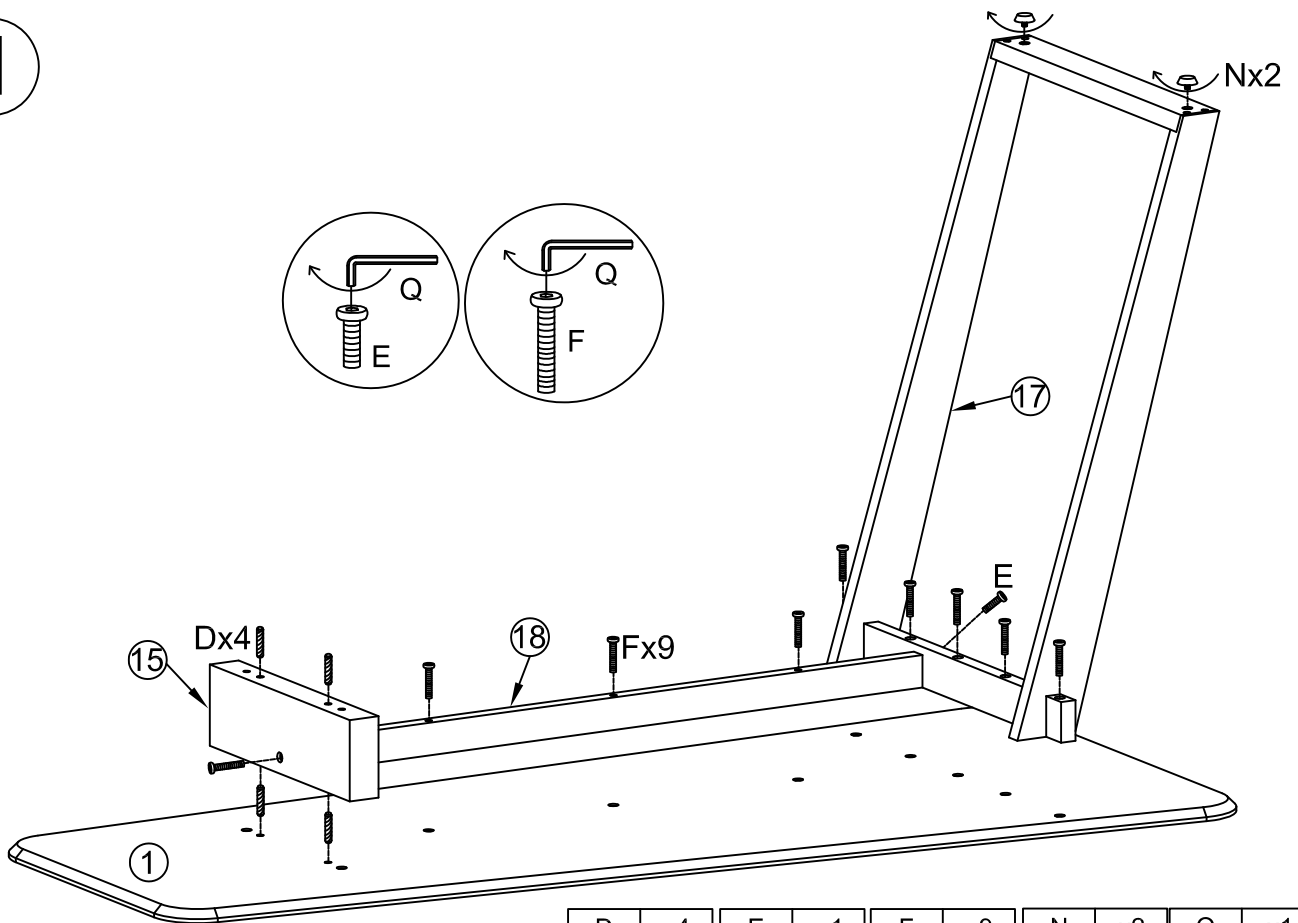
### PADUA





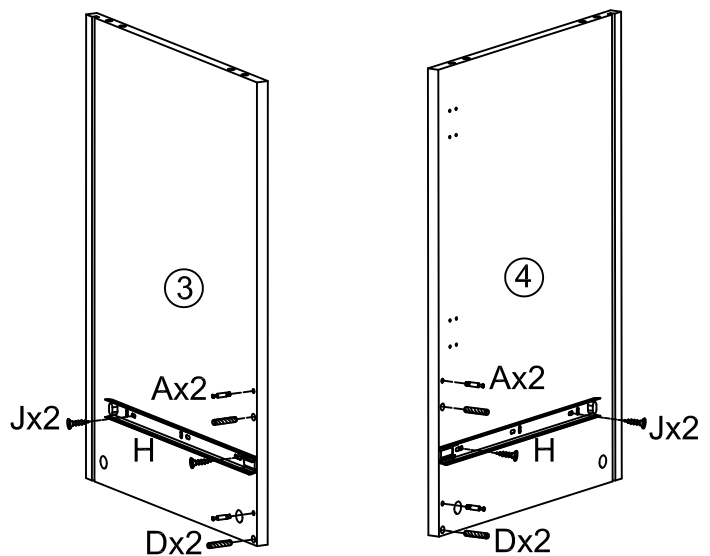
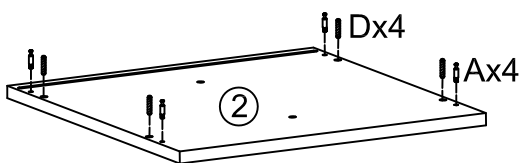
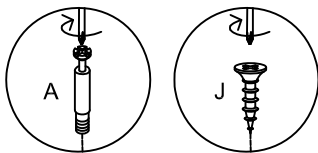
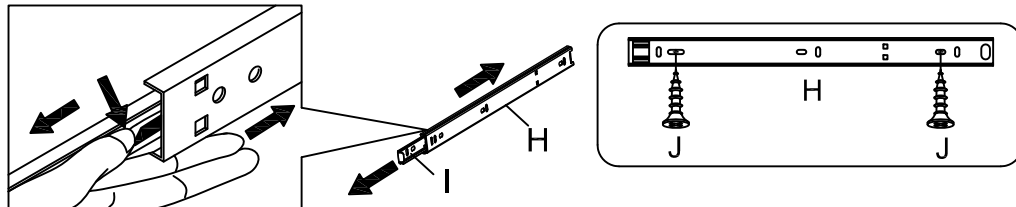
A	x24	B	x24	C	x4	D	x16	E	x1	F	x9	G	x2	H	x2
															
M6*35mm		Ø15mm		M7*40mm		Ø8*30mm		M6*35mm		M6*50mm		M6*125mm		340mm	
I	x2	J	x26	K	x4	L	x2	M	x6	N	x2	O	x4	P	x4
															
340mm		M3.5*14		M4*35mm											
Q	x1														
															
M4															

1



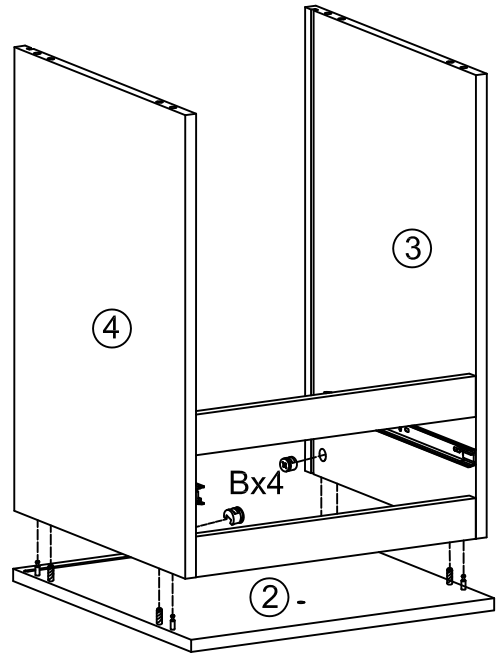
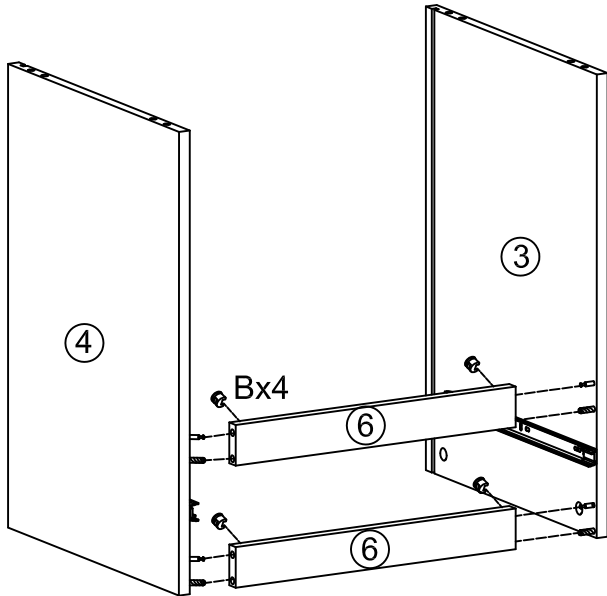
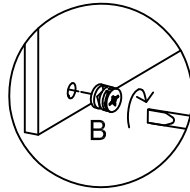
D	x4	E	x1	F	x9	N	x2	Q	x1
Ø8*30mm		M6*35mm		M6*50mm				M4	

2



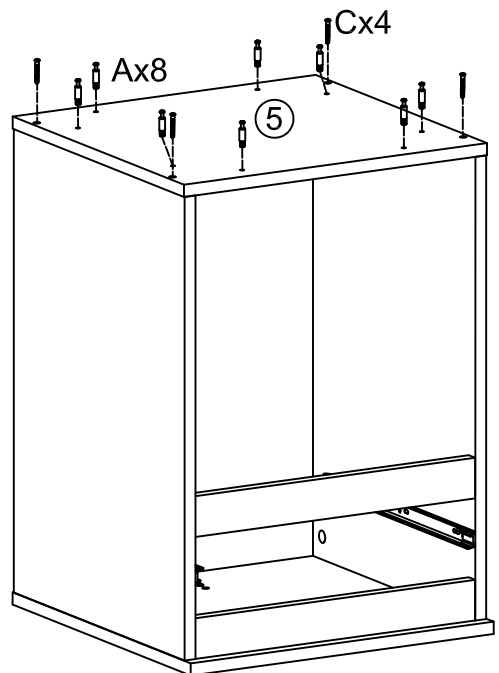
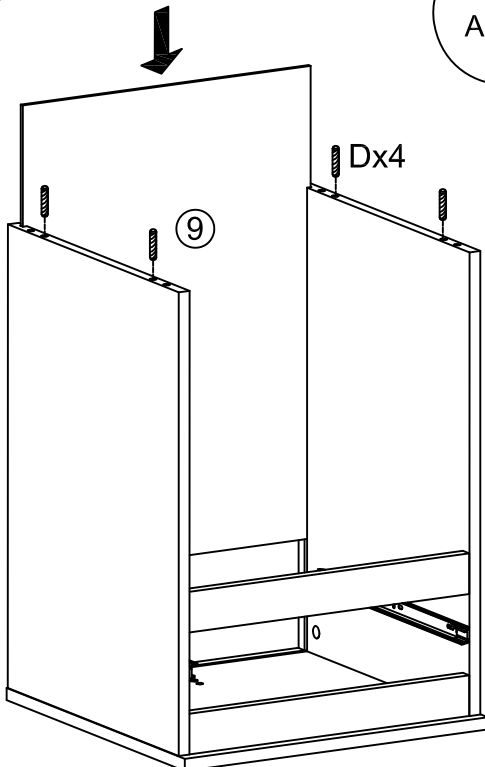
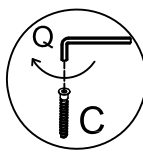
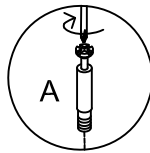
A	x8	D	x8	H	x2	J	x4
M6*35mm		Ø8*30mm		340mm		M3.5*14	

3



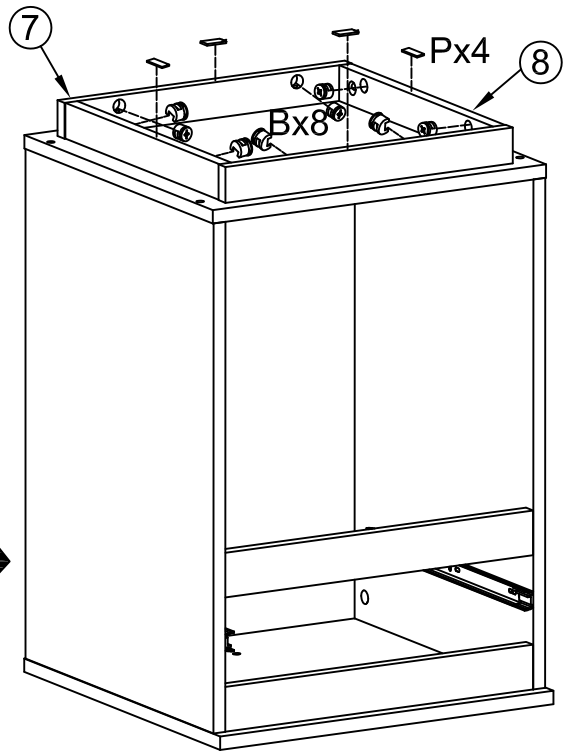
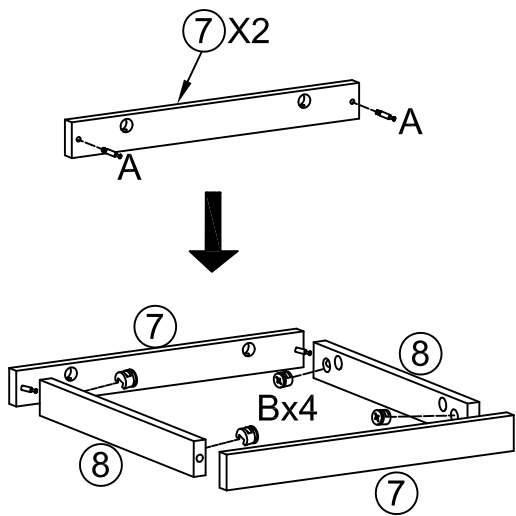
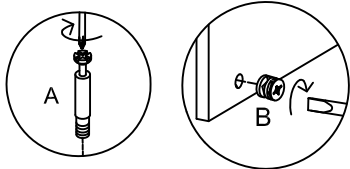
B	x8
Ø15mm	

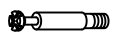


4



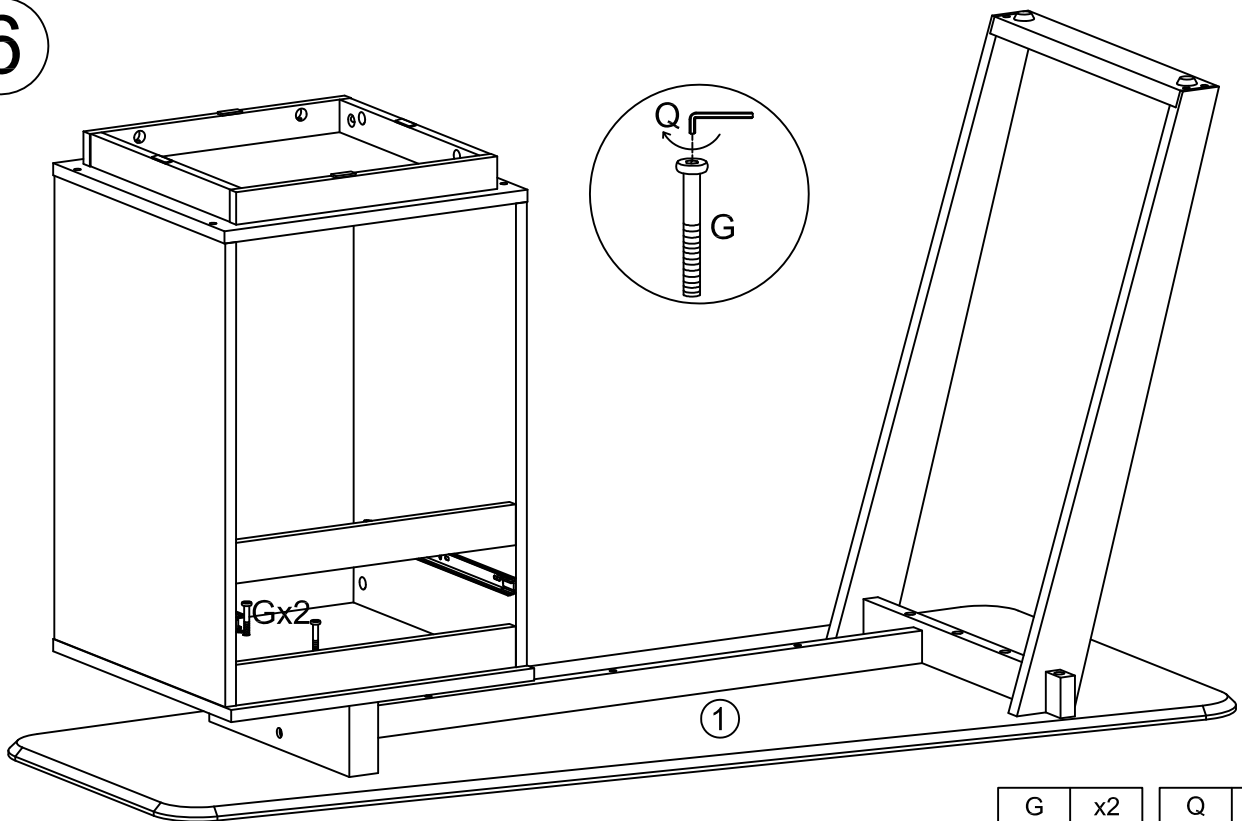
A	x8	C	x4	D	x4	Q	x1
M6*35mm		M7*40mm		Ø8*30mm		M4	

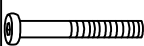

5



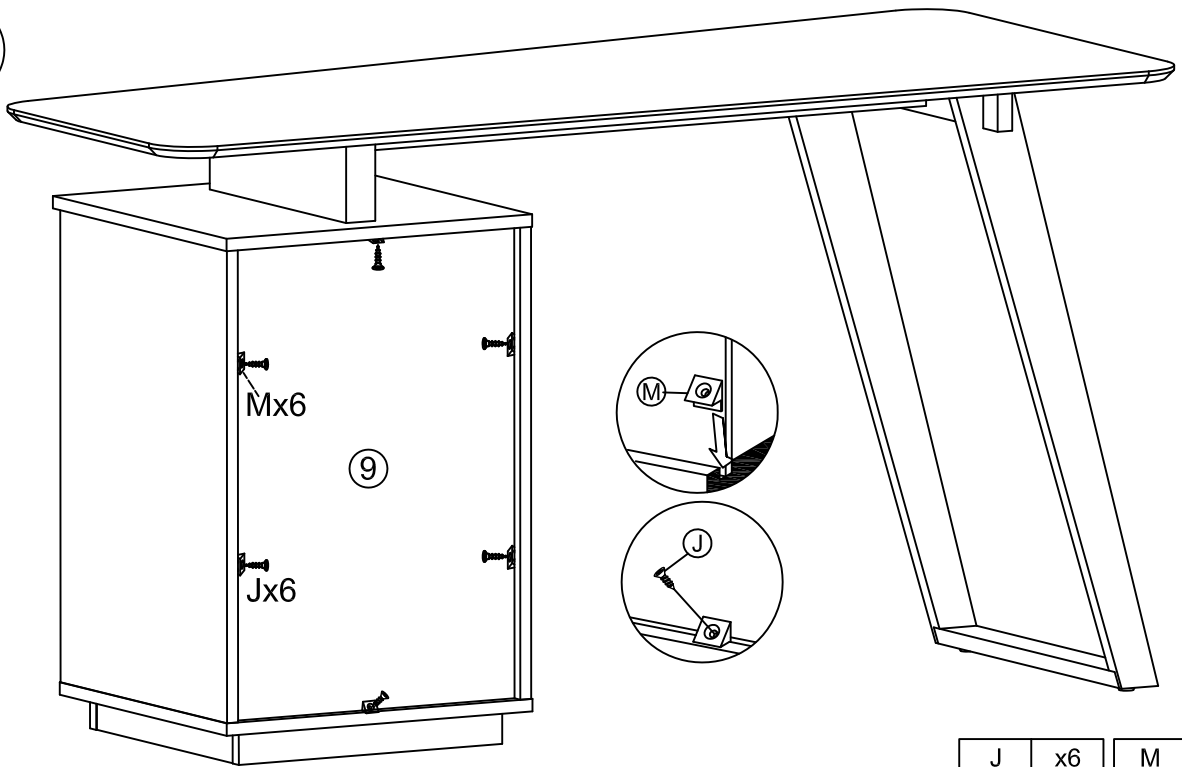
A	x4	B	x12	P	x4
					
M6*35mm		Ø15mm			



6



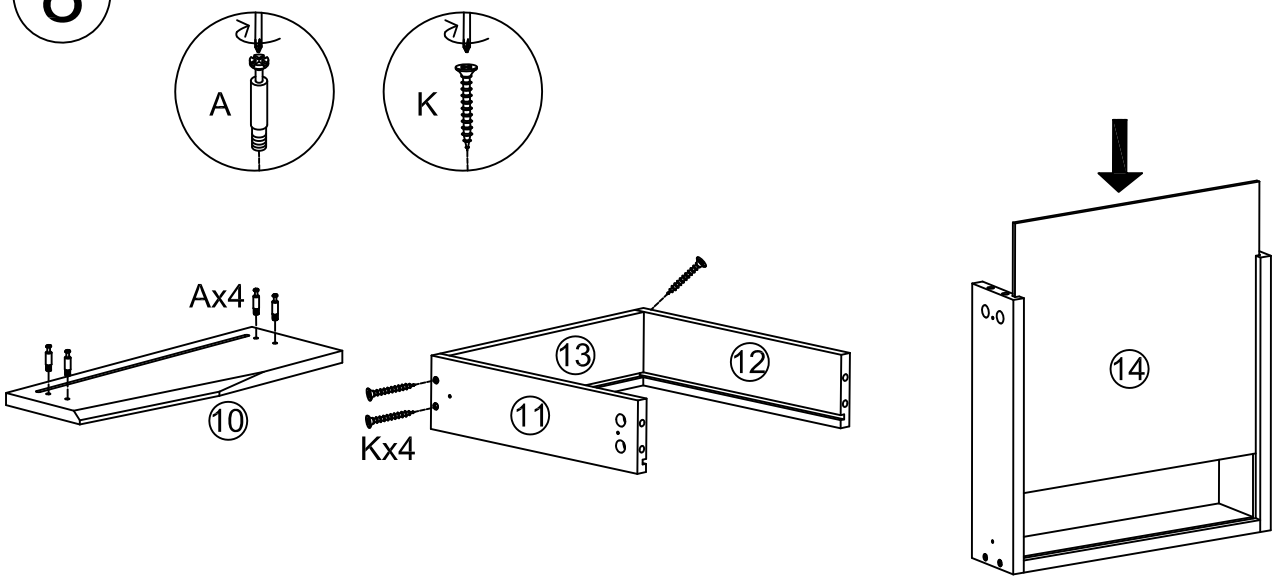
G	x2	Q	x1
			
M6*125mm		M4	

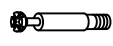

7



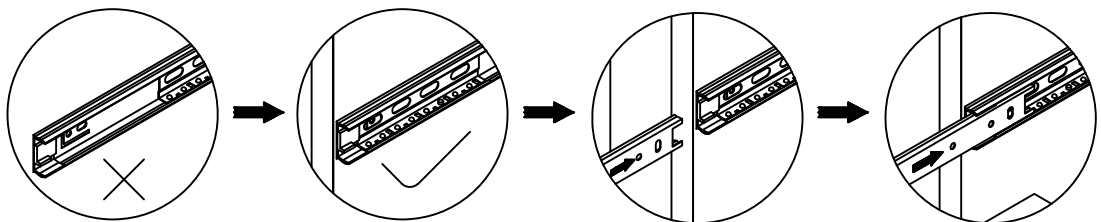
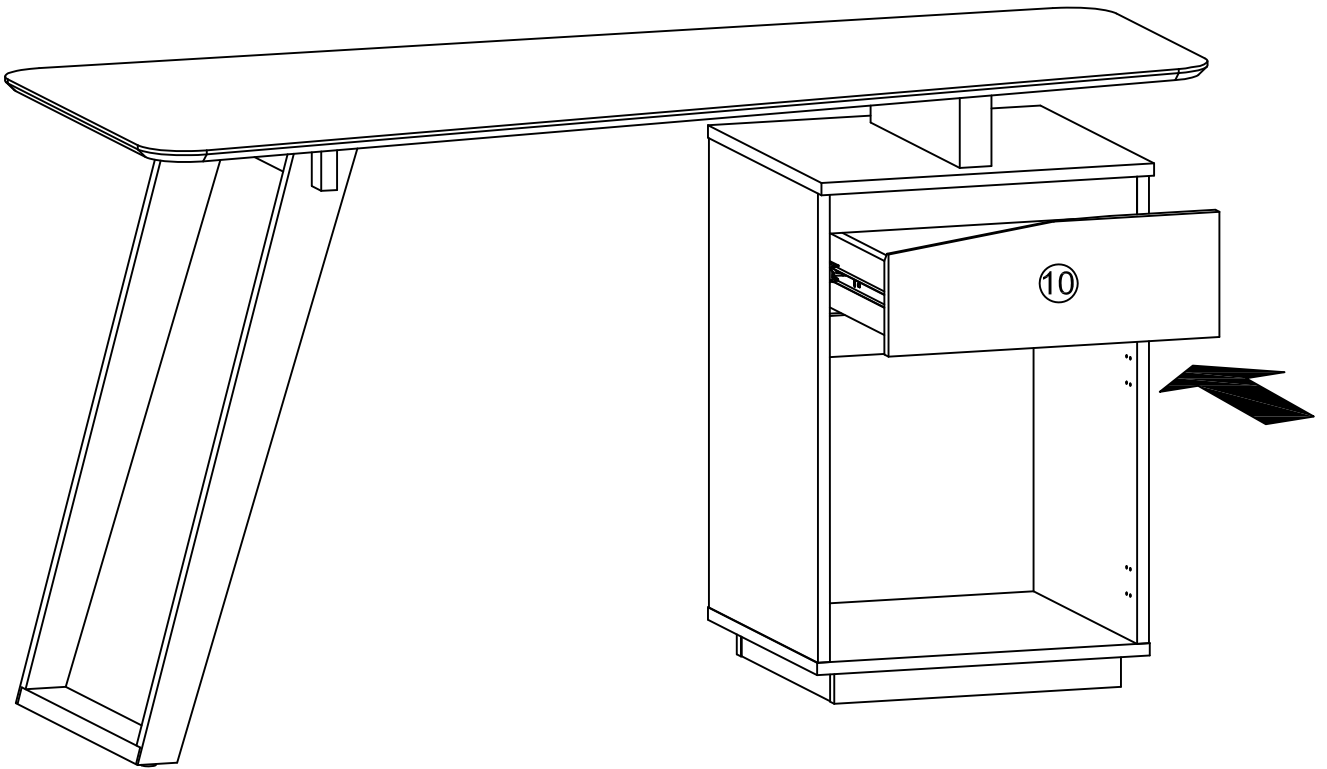
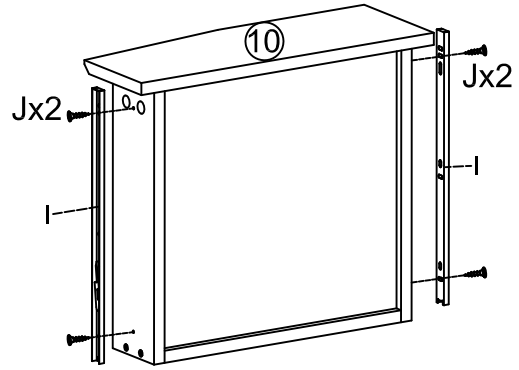
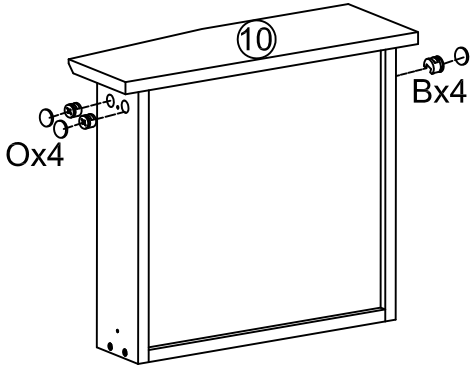
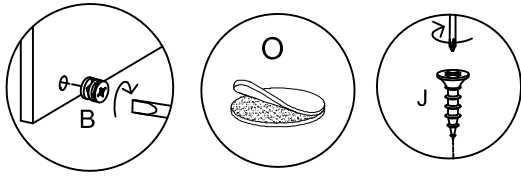
J	x6	M	x6
			
M3.5*14			

8



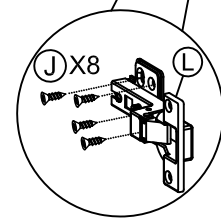
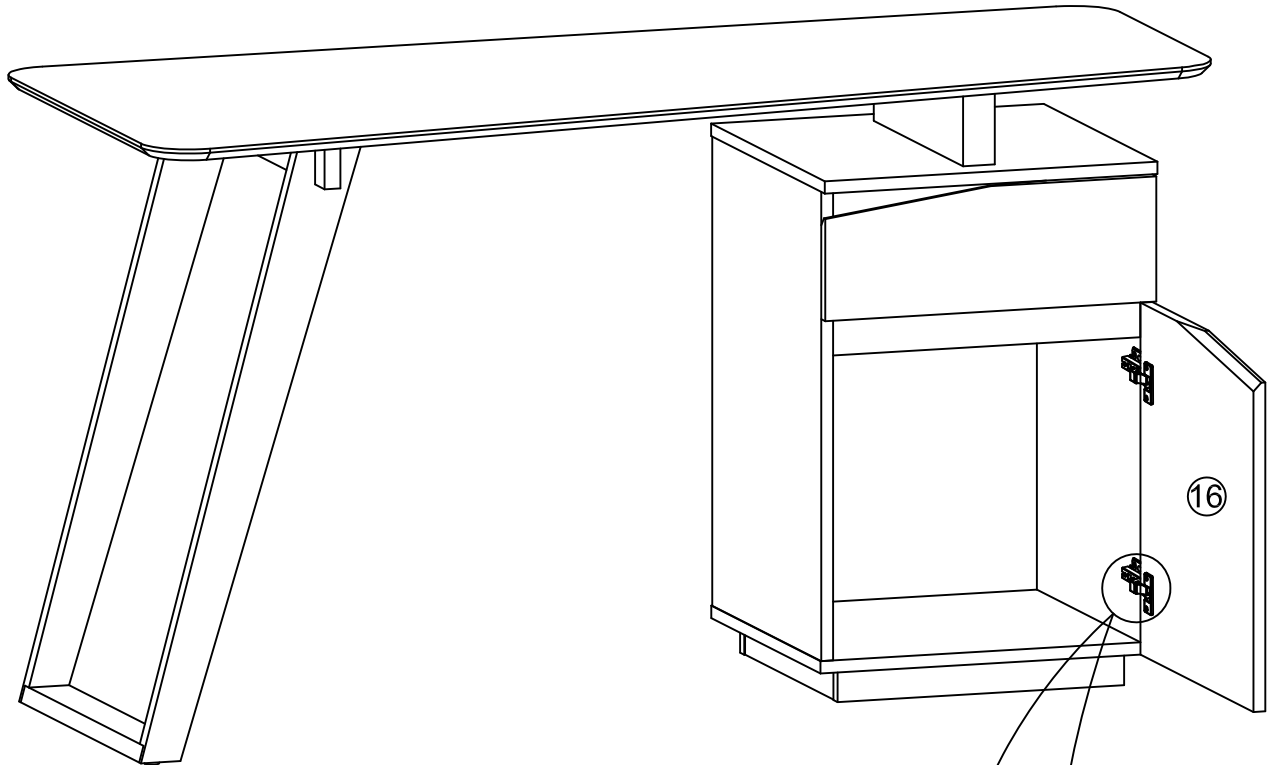
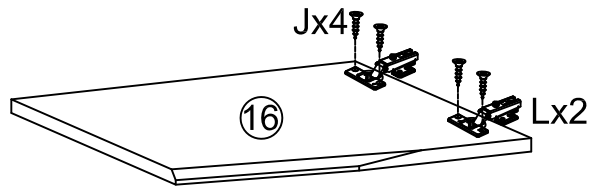
A	x4	K	x4
			
M6*35mm		M4*35mm	


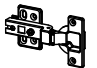
9



B	x4	I	x2	J	x4	O	x4
Ø15mm		340mm		M3.5*14			

10



J	x12	L	x2
			
M3.5*14			

