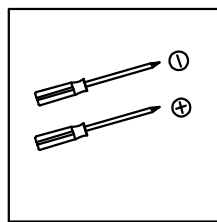
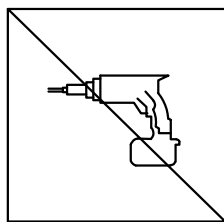
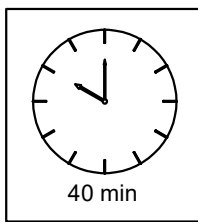
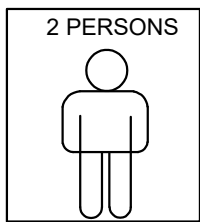
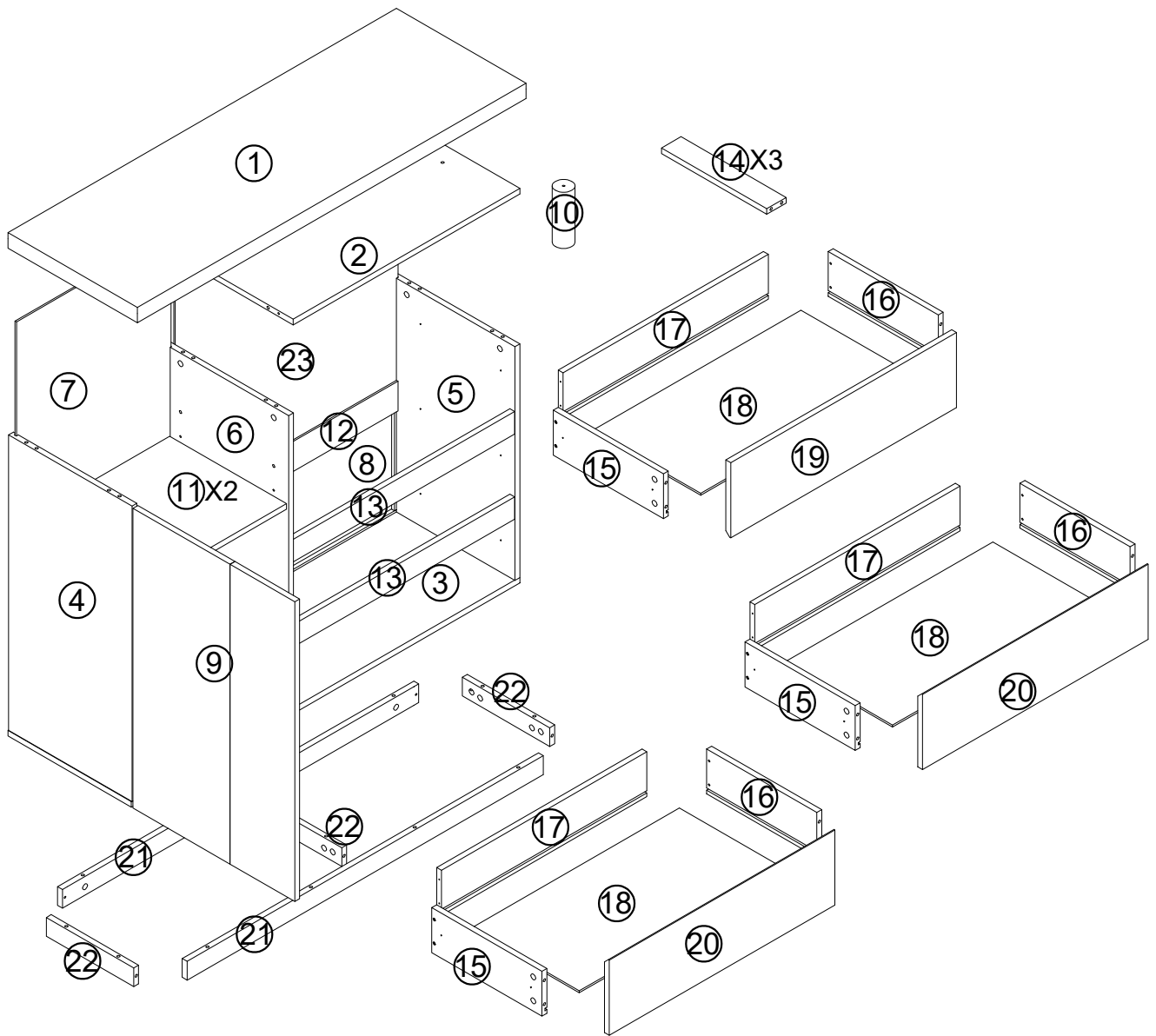
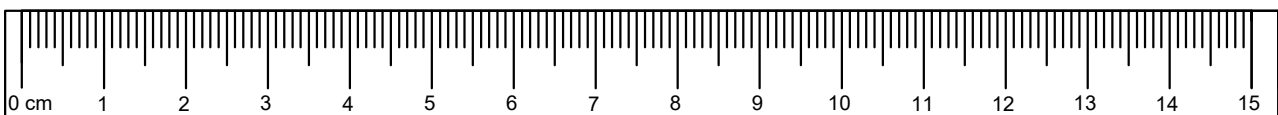


27980230/03  
FLASH  
XXXLutz KG  
Roemerstrasse 39  
AT-4600 Wels  
E-Mail:info@xxxlutz.at

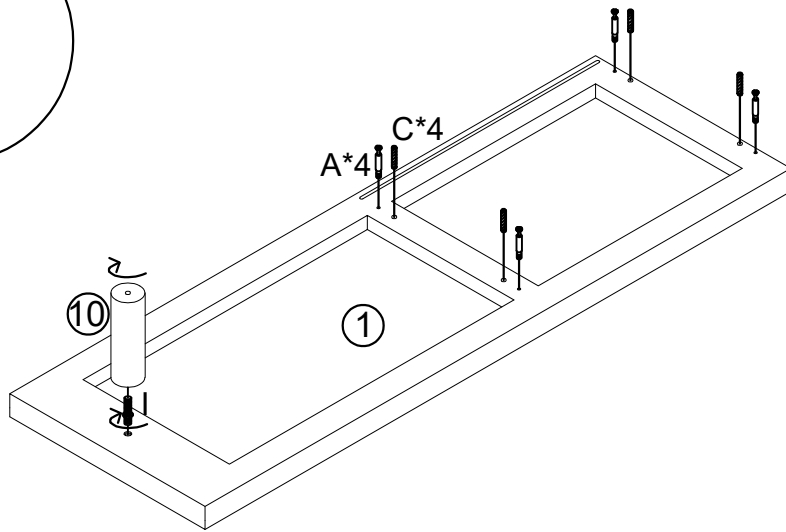
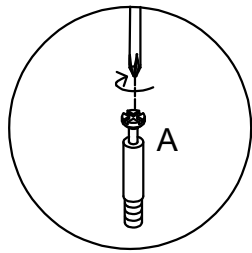


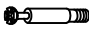




A	x52	B	x52	C	x18	D	x8	E	x56	F	x18	G	x19	H	x1	I	x1	J	x14
M6*35mm		Ø15mm		Ø8*30mm		M7*50mm		3.5*14mm		M4*35mm		Ø20mm		M4		M6*40mm			
K	x1	L	x6	M	x6	N	x3	O	x8	P	x3	Q	x2	R	x2	S	x2		
M6*40mm		340mm		340mm						Ø20mm						M4*60mm			

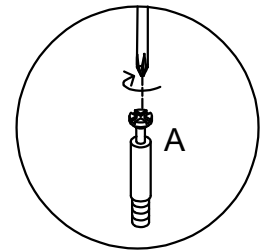
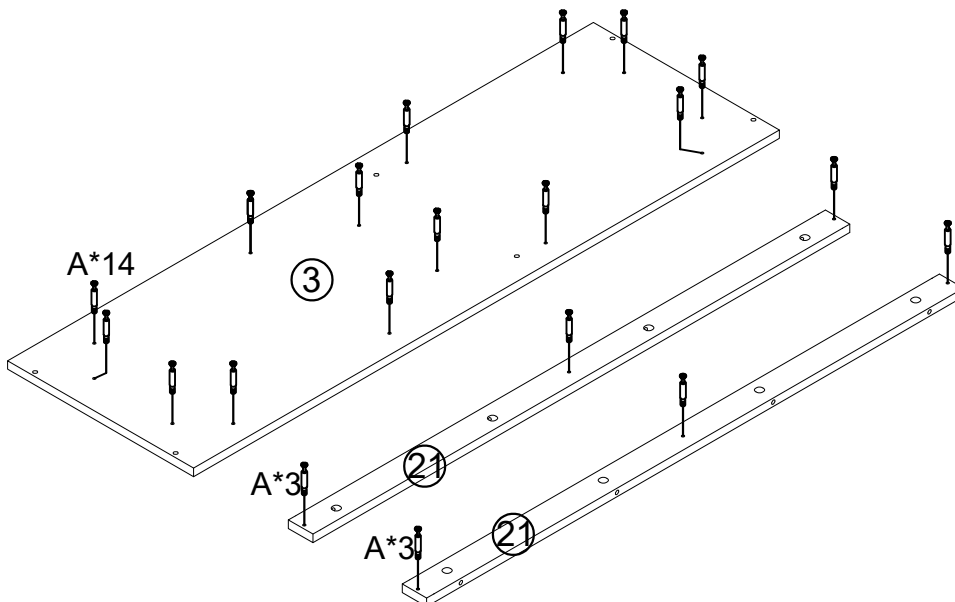


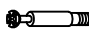
1



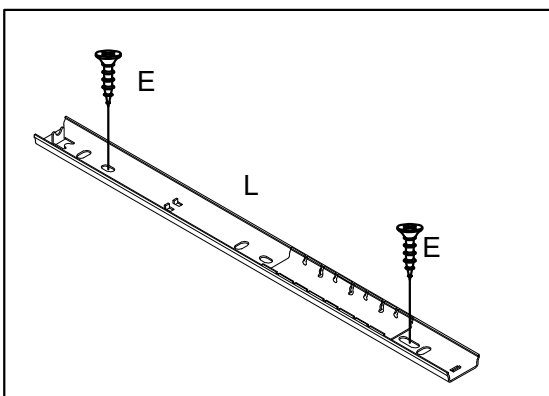
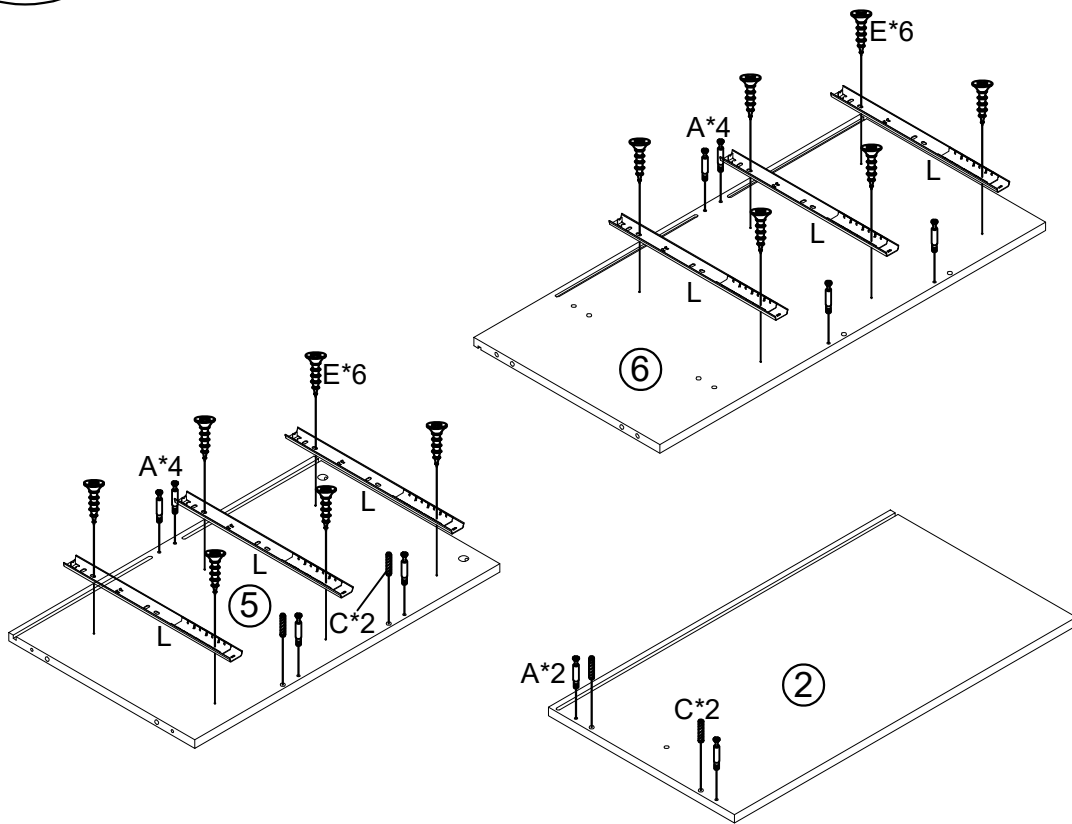
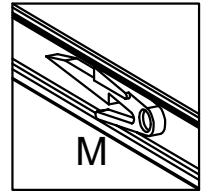
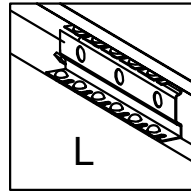
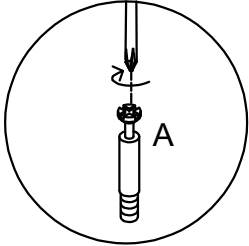
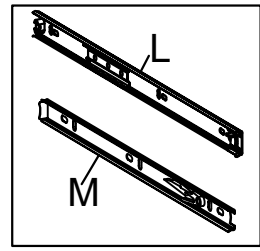
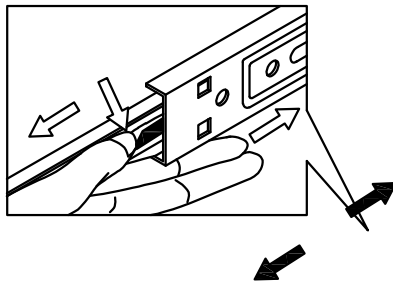
A	x4	C	x4	I	x1
					
M6*35mm		Ø8*30mm		M6*40mm	

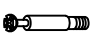

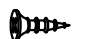

2



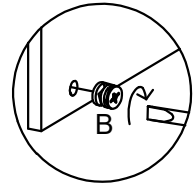
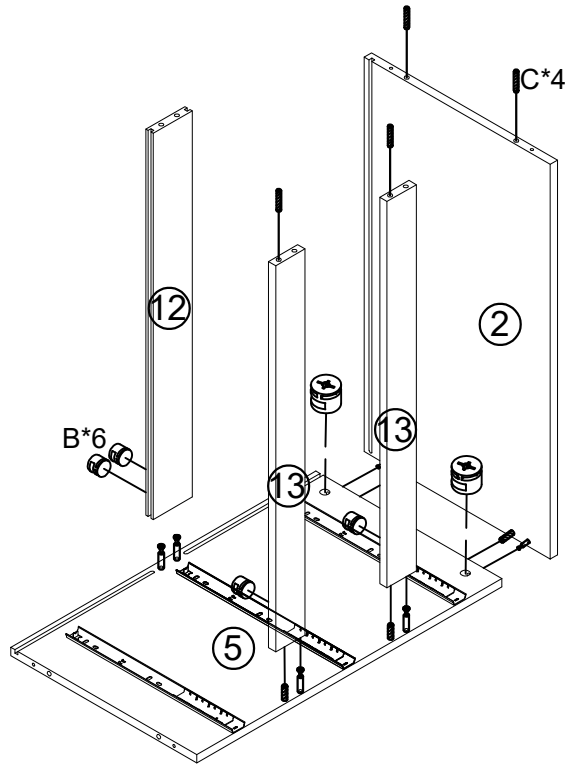
A	x20
	
M6*35mm	



3



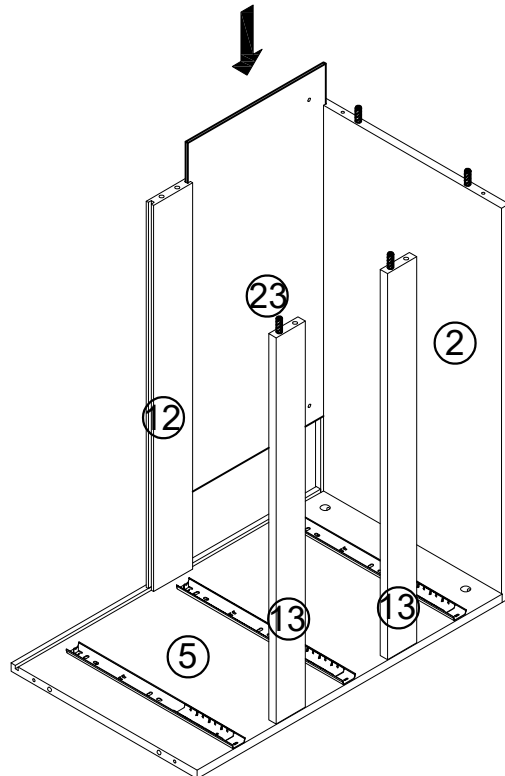
A	x10	C	x4	E	x12	L	x6
							
M6*35mm		Ø8*30mm		3.5*14mm		340mm	

4

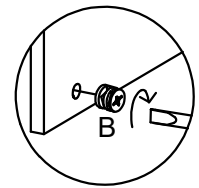
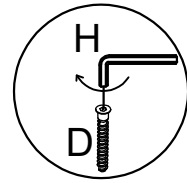
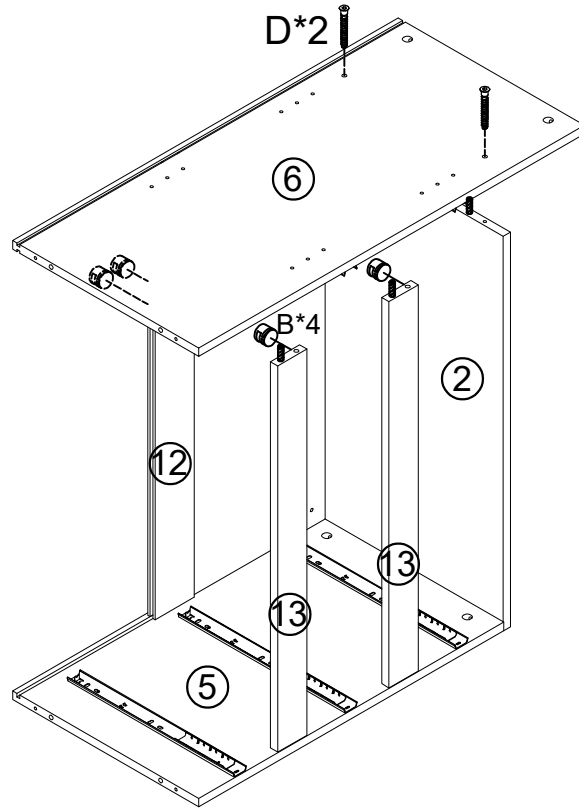





B	x6	C	x4
			
Ø15mm		Ø8*30mm	

5

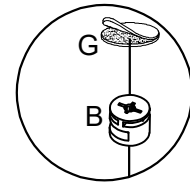
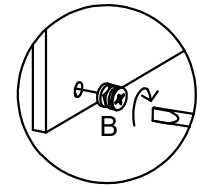
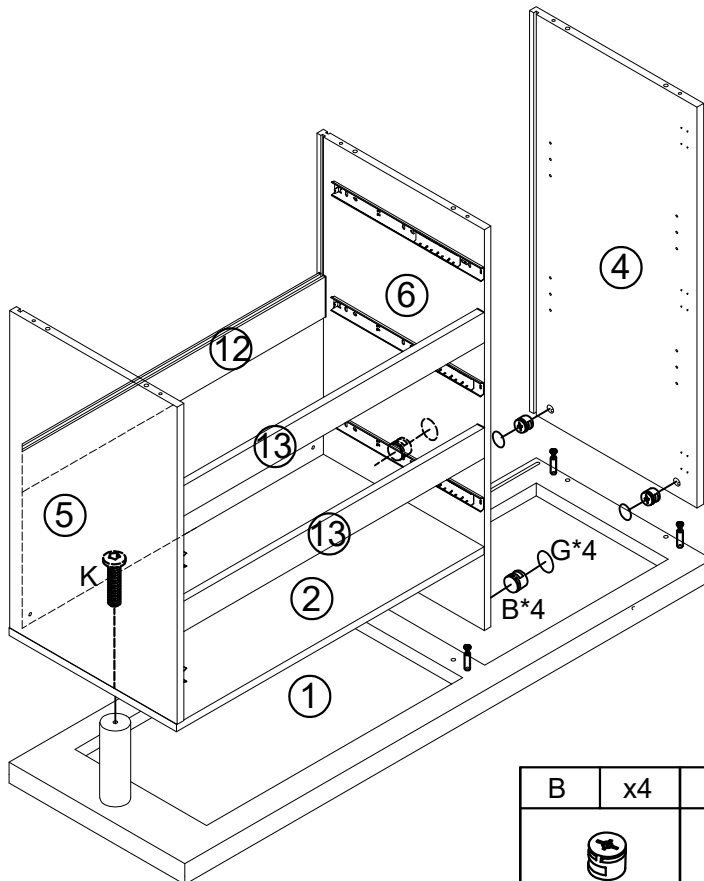






6



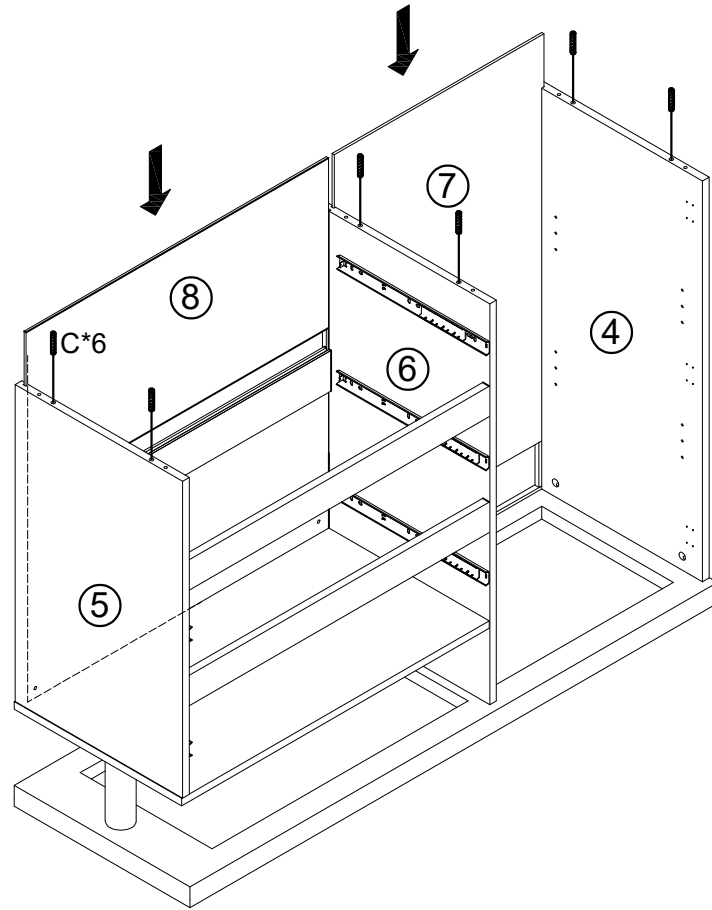
B	x4	D	x2	H	x1
					
Ø15mm		M7*50mm		M4	

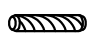
7



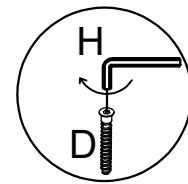
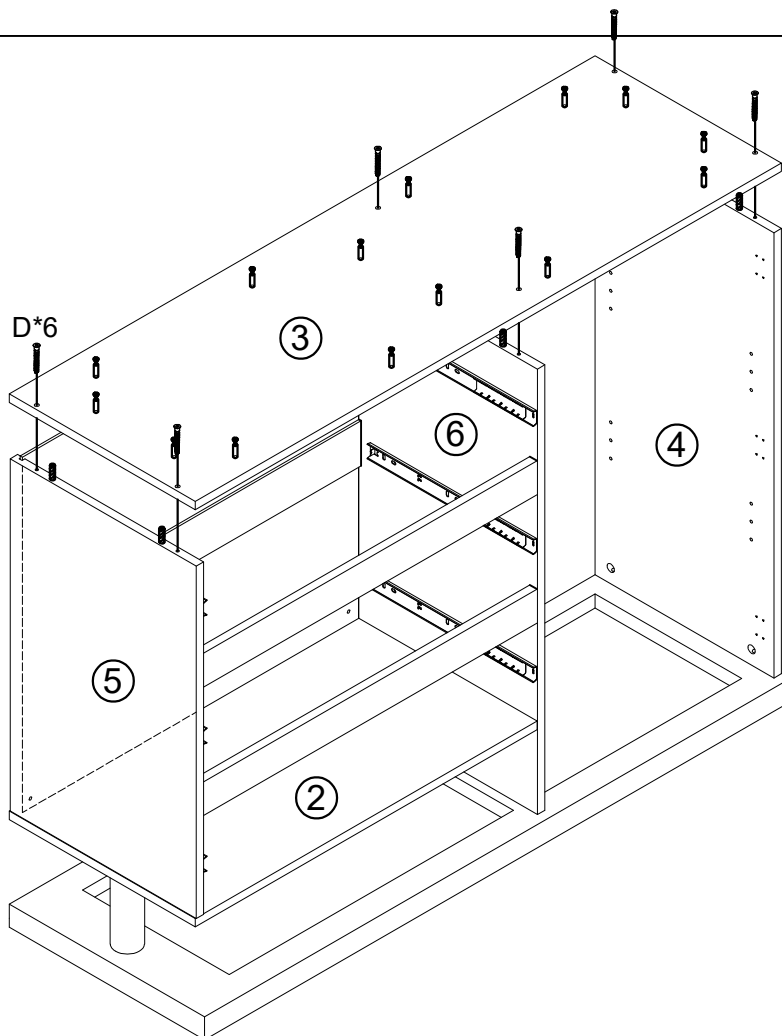
B	x4	G	x4	H	x1	K	x1
							
Ø15mm		Ø20mm		M4		M6*40mm	



8



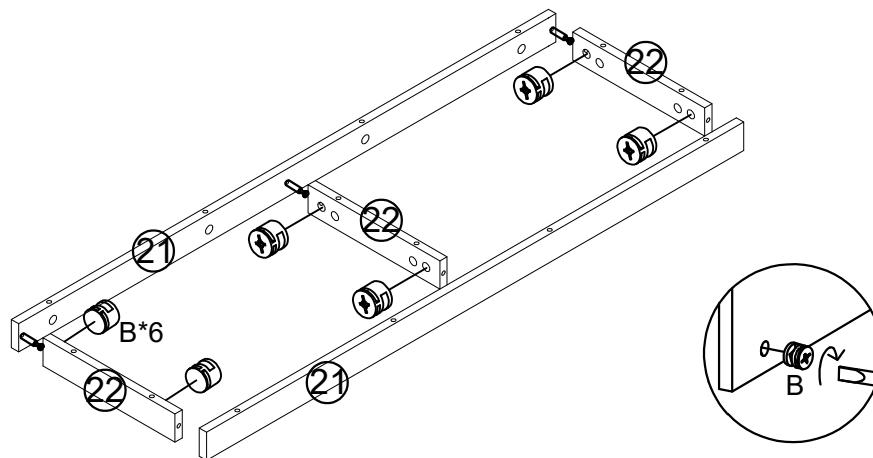
C	x6
	
Ø8*30mm	


9



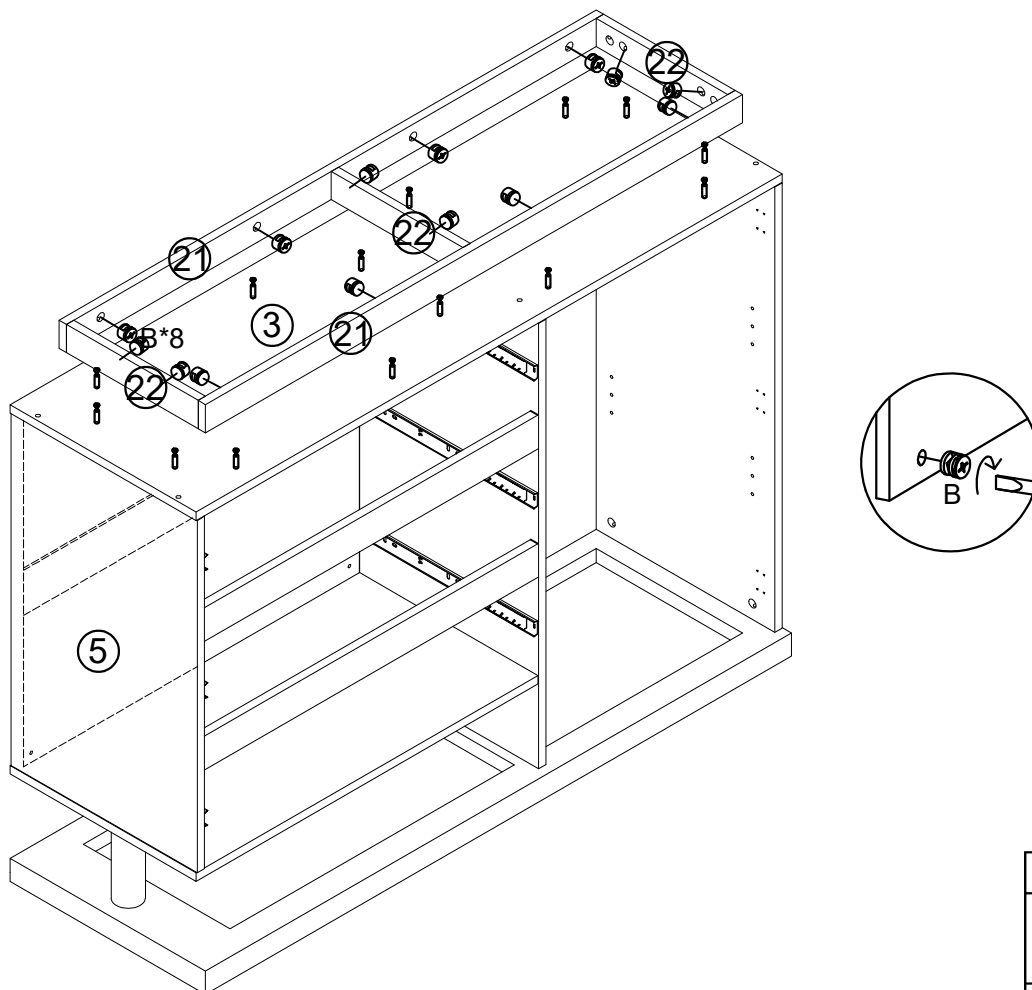
D	x6	H	x1
			
M7*50mm		M4	


10



B	x6
	
Ø15mm	

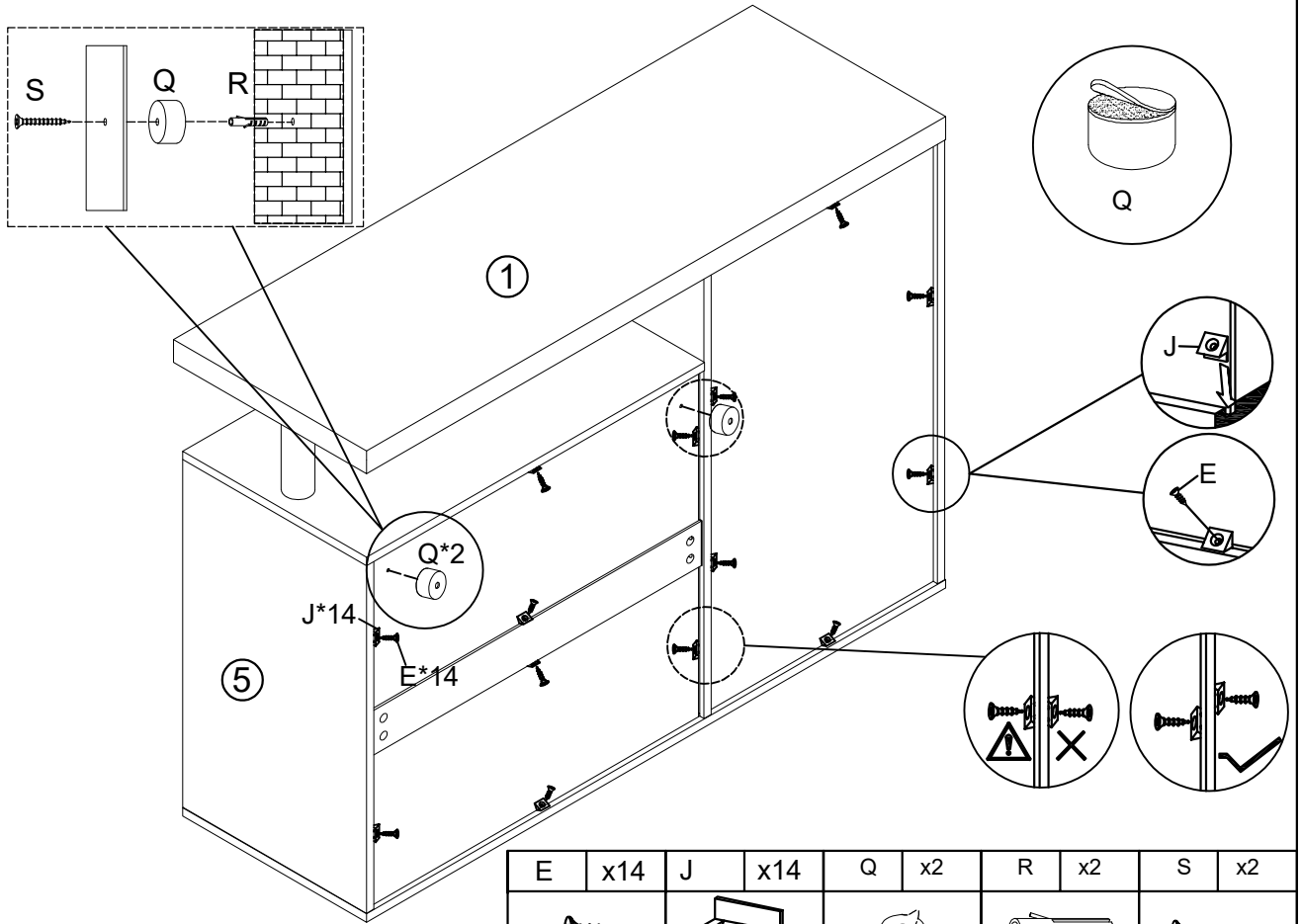
11



B	x14
	
Ø15mm	

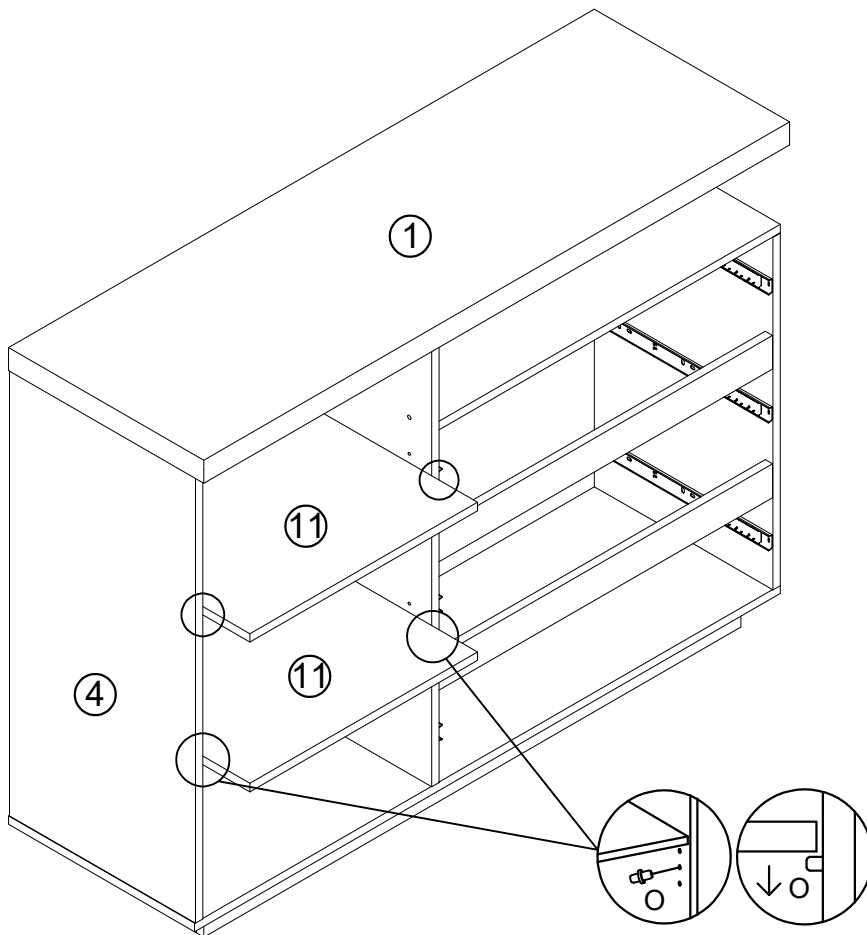


# 12



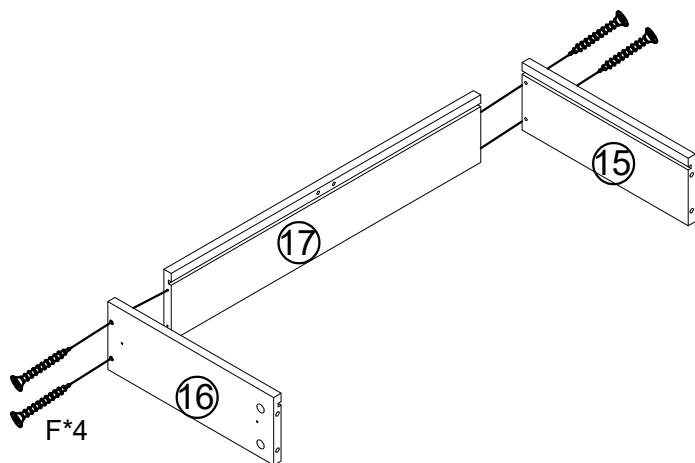
E	x14	J	x14	Q	x2	R	x2	S	x2
3.5*14mm								M4*60mm	

# 13

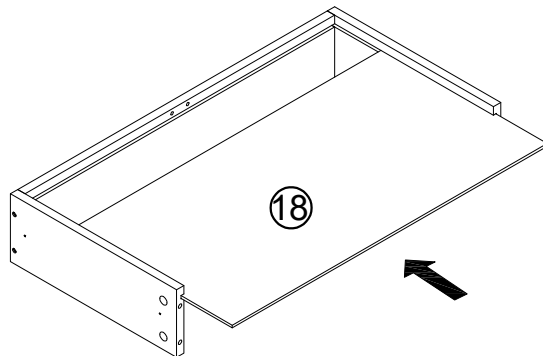


O	x8

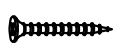
# 14



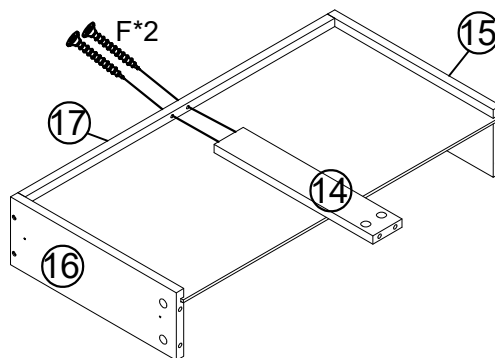
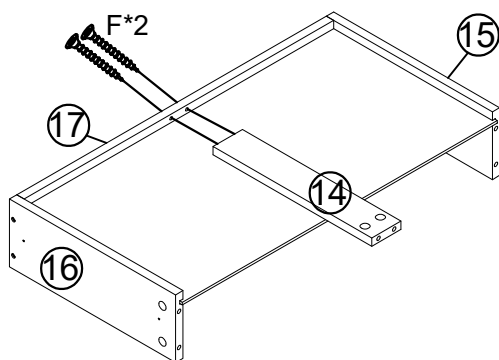
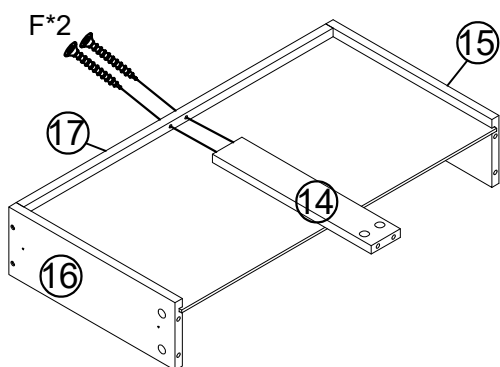
\*3

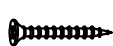


\*3

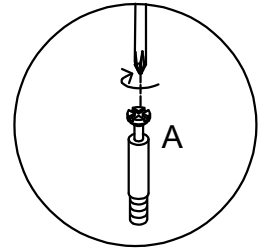
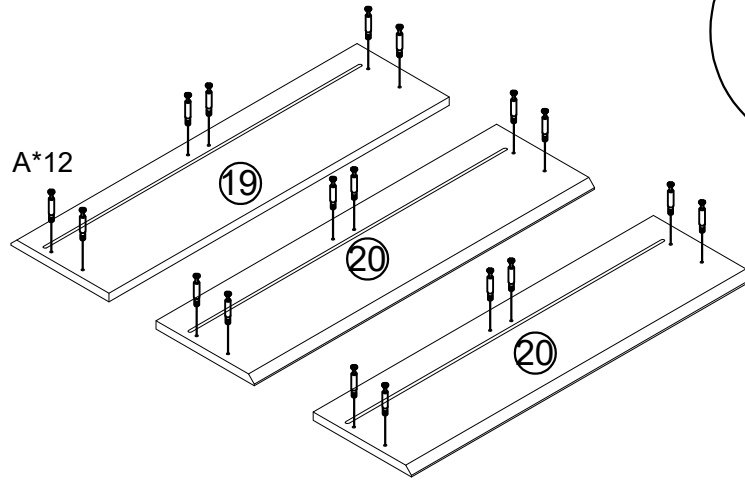
F	x12
	
M4*35mm	

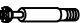
# 15



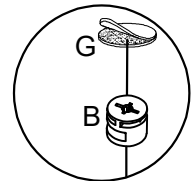
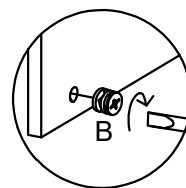
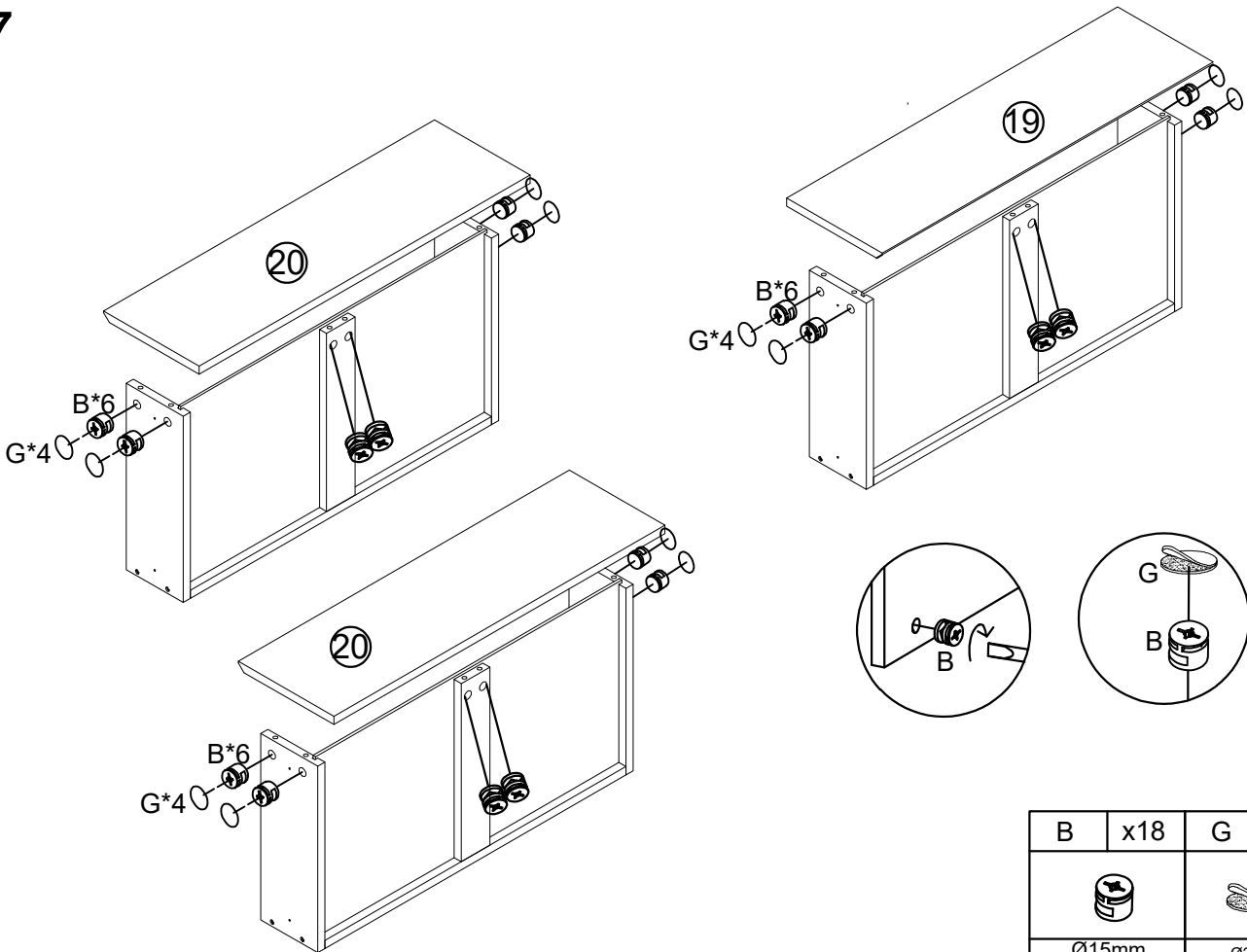
F	x6
	
M4*35mm	



# 16



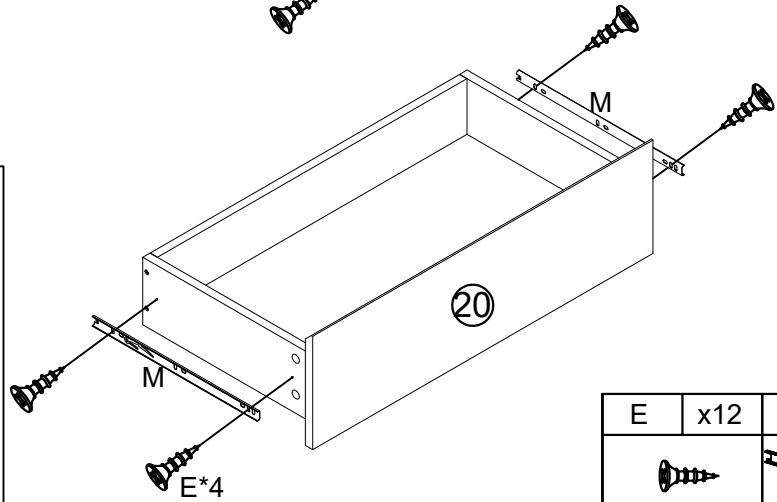
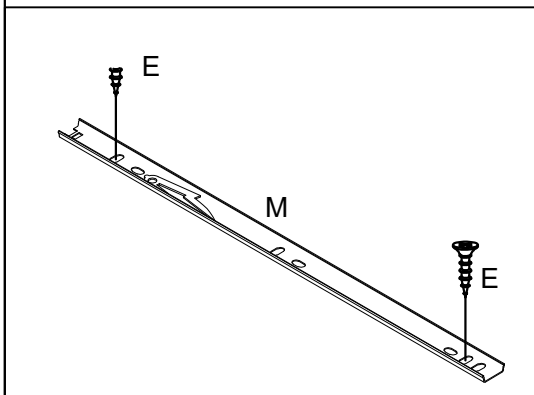
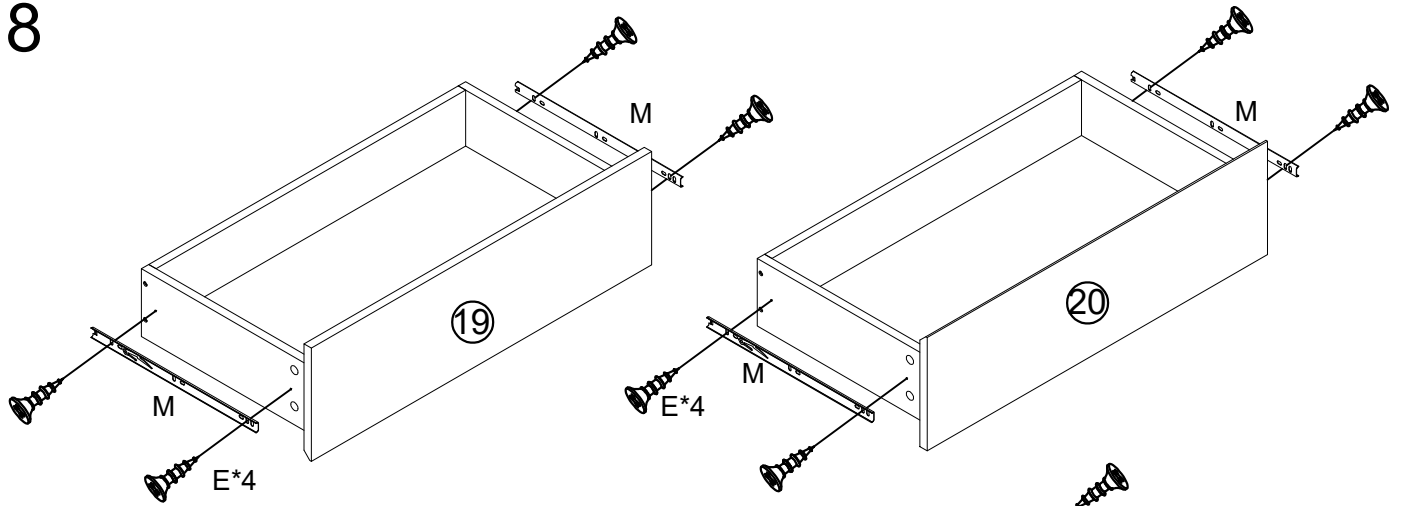
A	x18
	
M6*35mm	



# 17



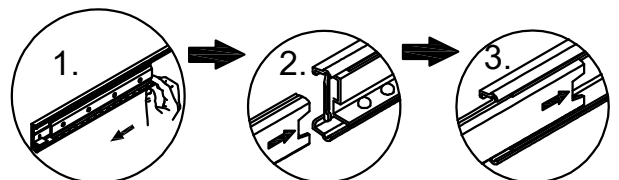
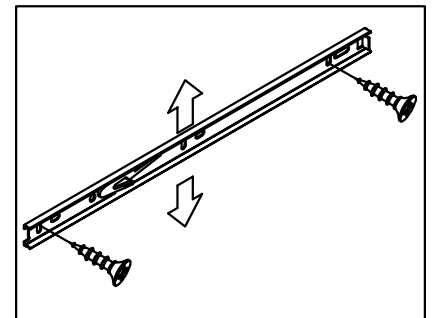
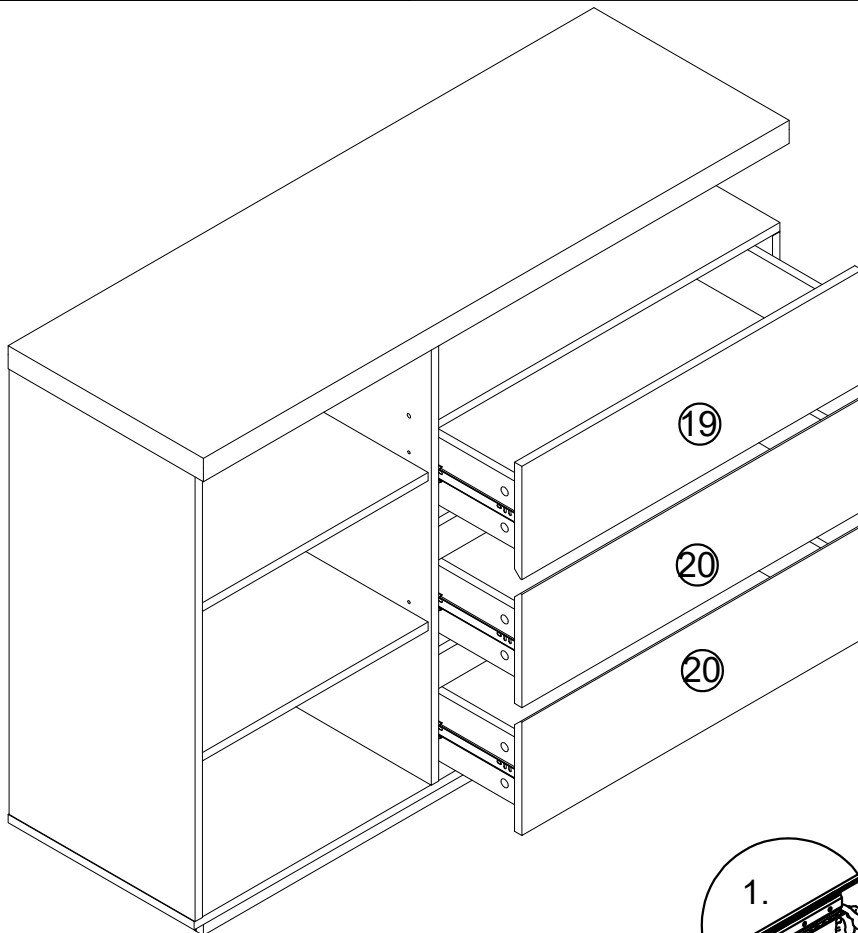
B	x18	G	x12
			
Ø15mm		Ø20mm	

# 18

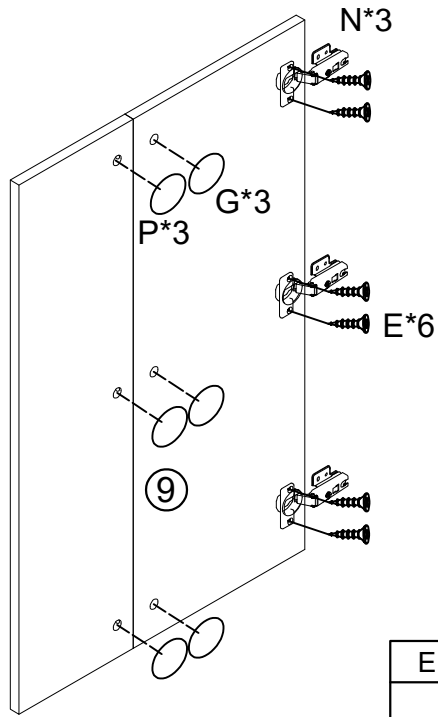


E	x12	M	x6
			
3.5*14mm		340mm	

# 19

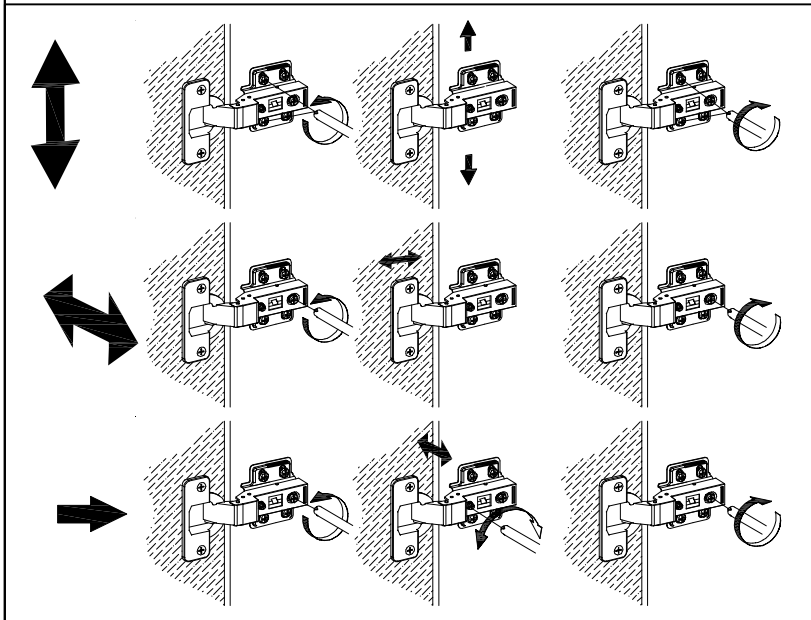
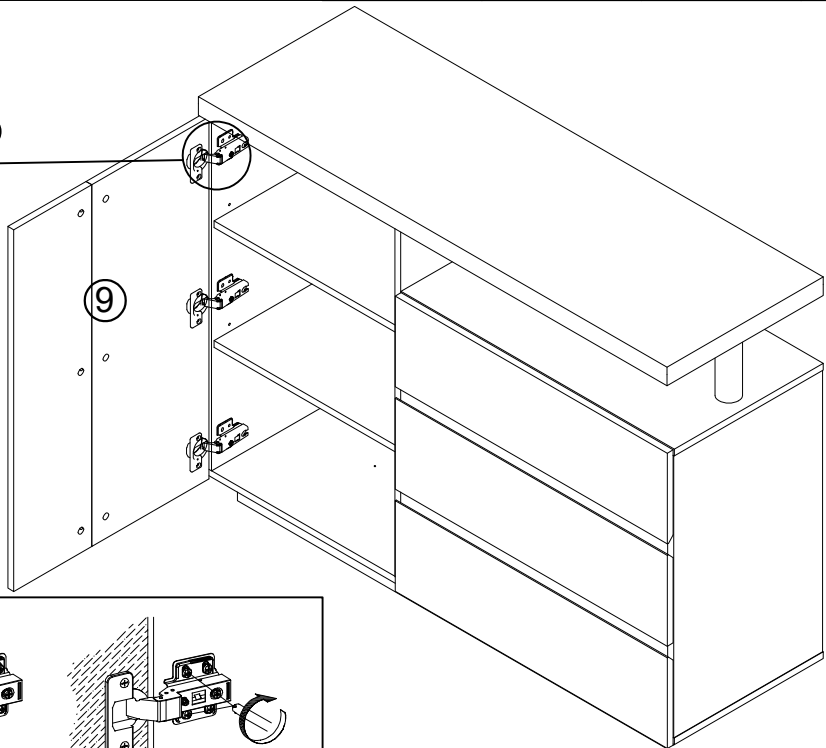
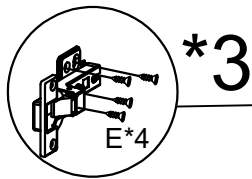


20



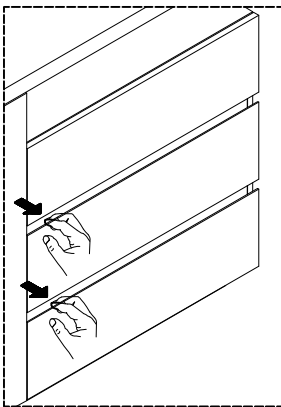
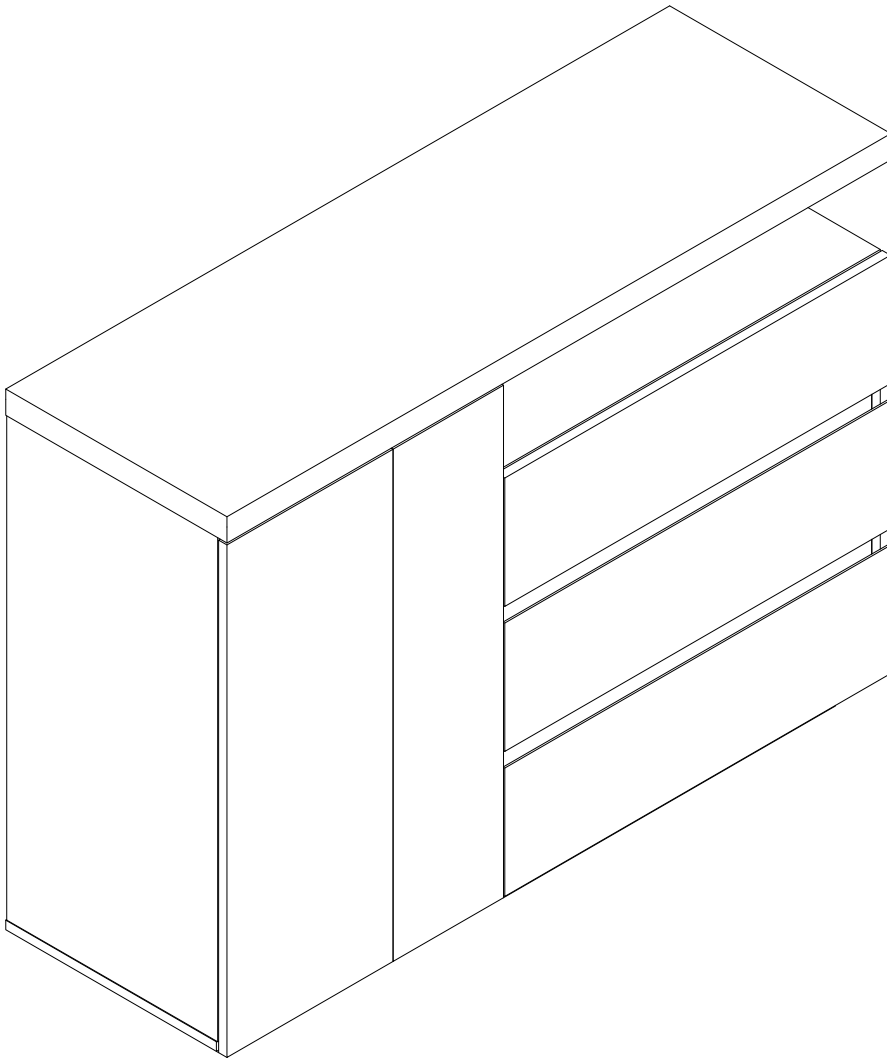
E	x6	G	x3	N	x3	P	x3
3.5*14mm		Ø20mm				Ø20mm	

21

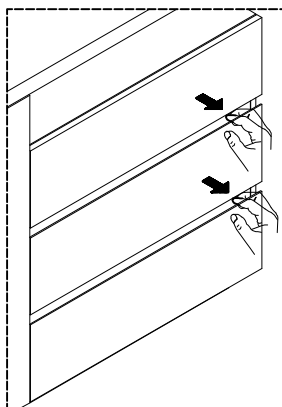


E	x12
3.5*14mm	

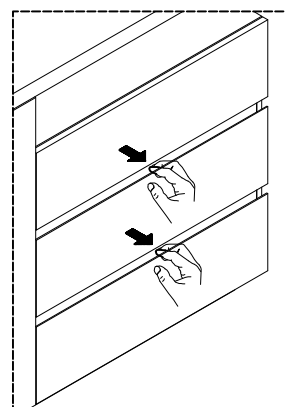
22



×



×



✓