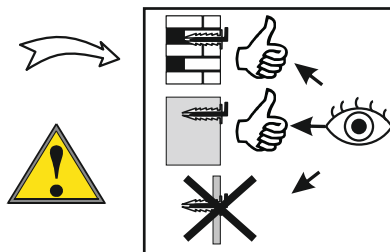
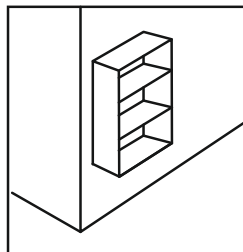
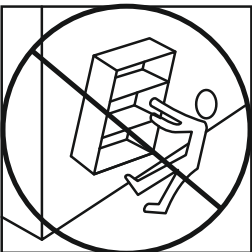
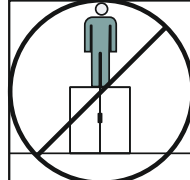
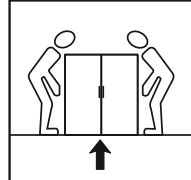
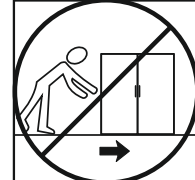
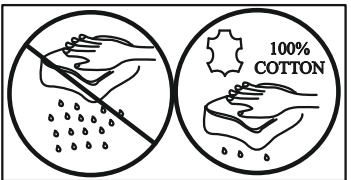
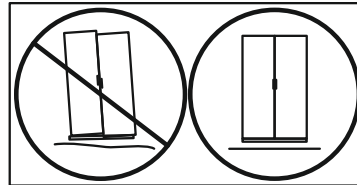
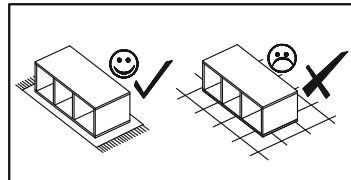
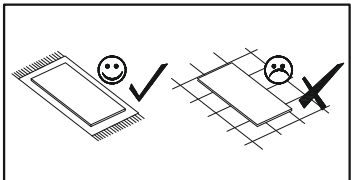
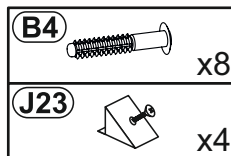
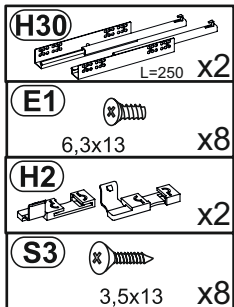
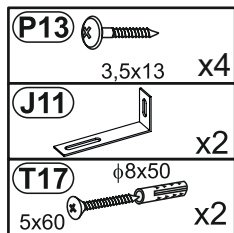
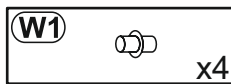
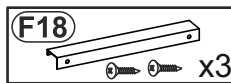
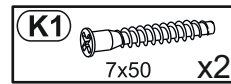
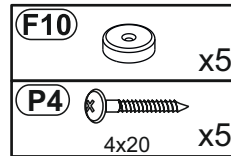
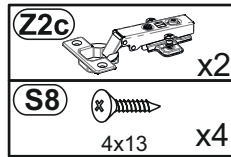
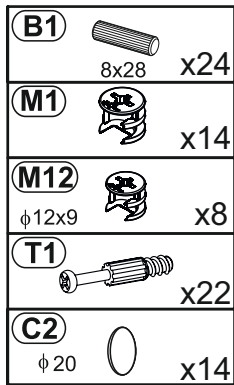


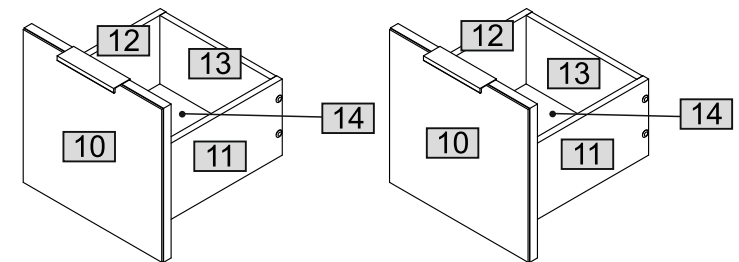
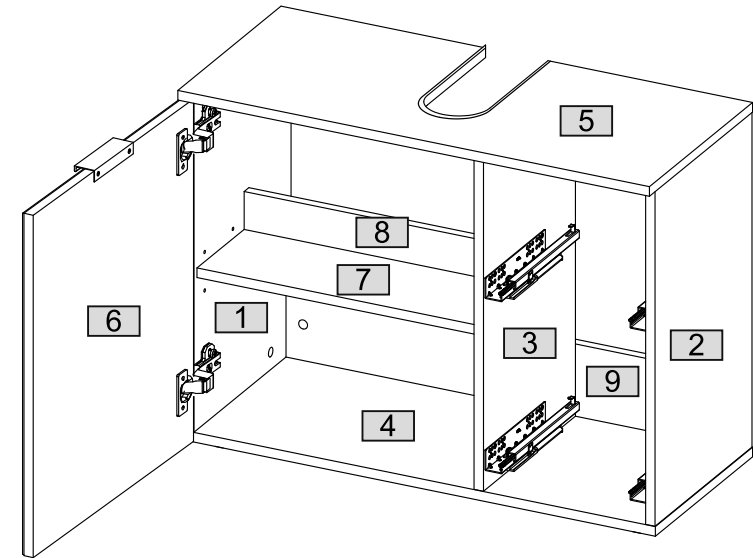
info@bega-consult.de



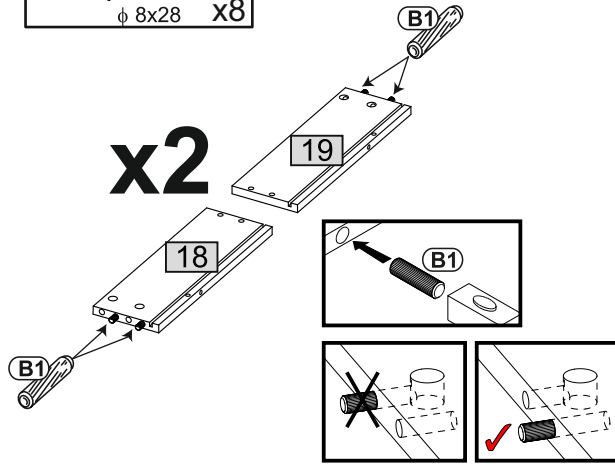
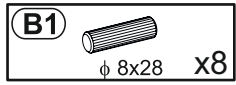
https://quefairedemesdechets.fr



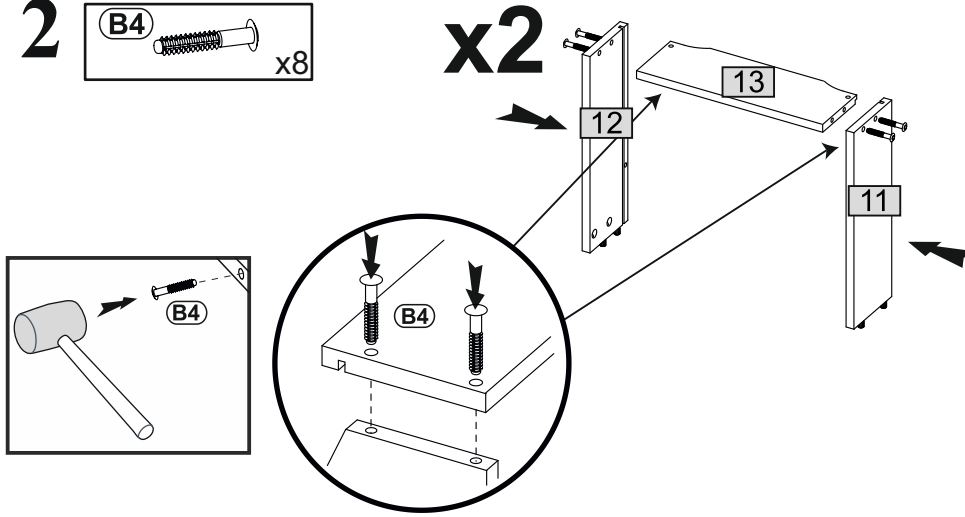
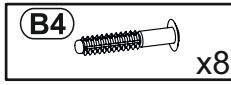
| Nr | ↘   | ↙   | ↗  | pcs | ☐ |
|----|-----|-----|----|-----|---|
| 1  | 557 | 329 | 16 | 1   | 2 |
| 2  | 557 | 329 | 16 | 1   | 2 |
| 3  | 557 | 312 | 16 | 1   | 2 |
| 4  | 800 | 330 | 16 | 1   | 2 |
| 5  | 800 | 353 | 16 | 1   | 2 |
| 6  | 569 | 496 | 16 | 1   | 1 |
| 7  | 475 | 160 | 16 | 1   | 1 |
| 8  | 475 | 80  | 16 | 1   | 1 |
| 9  | 766 | 122 | 16 | 1   | 2 |
| 10 | 296 | 283 | 16 | 2   | 1 |
| 11 | 250 | 140 | 12 | 2   | 1 |
| 12 | 420 | 110 | 15 | 2   | 1 |
| 13 | 235 | 140 | 12 | 2   | 1 |
| 14 | 245 | 249 | 2  | 2   | 1 |



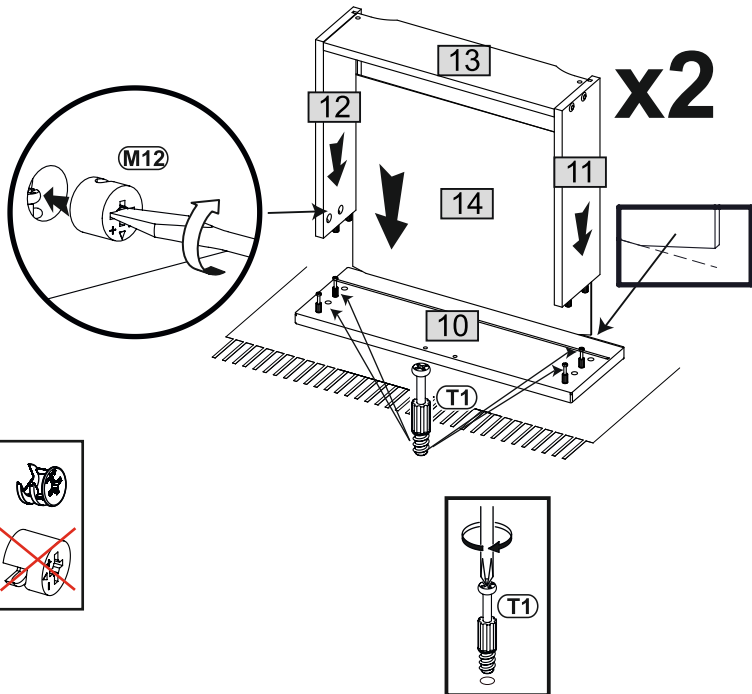
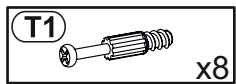
1



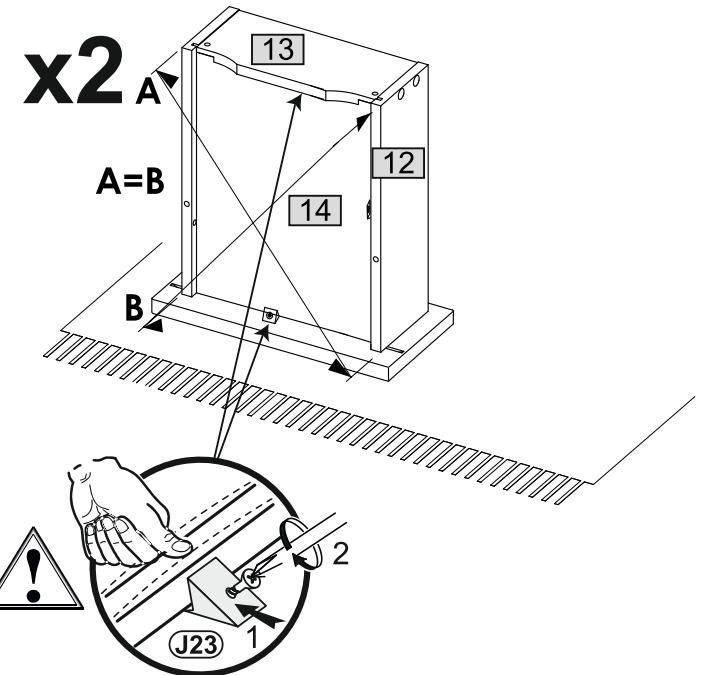
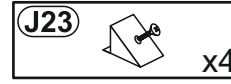
2



3

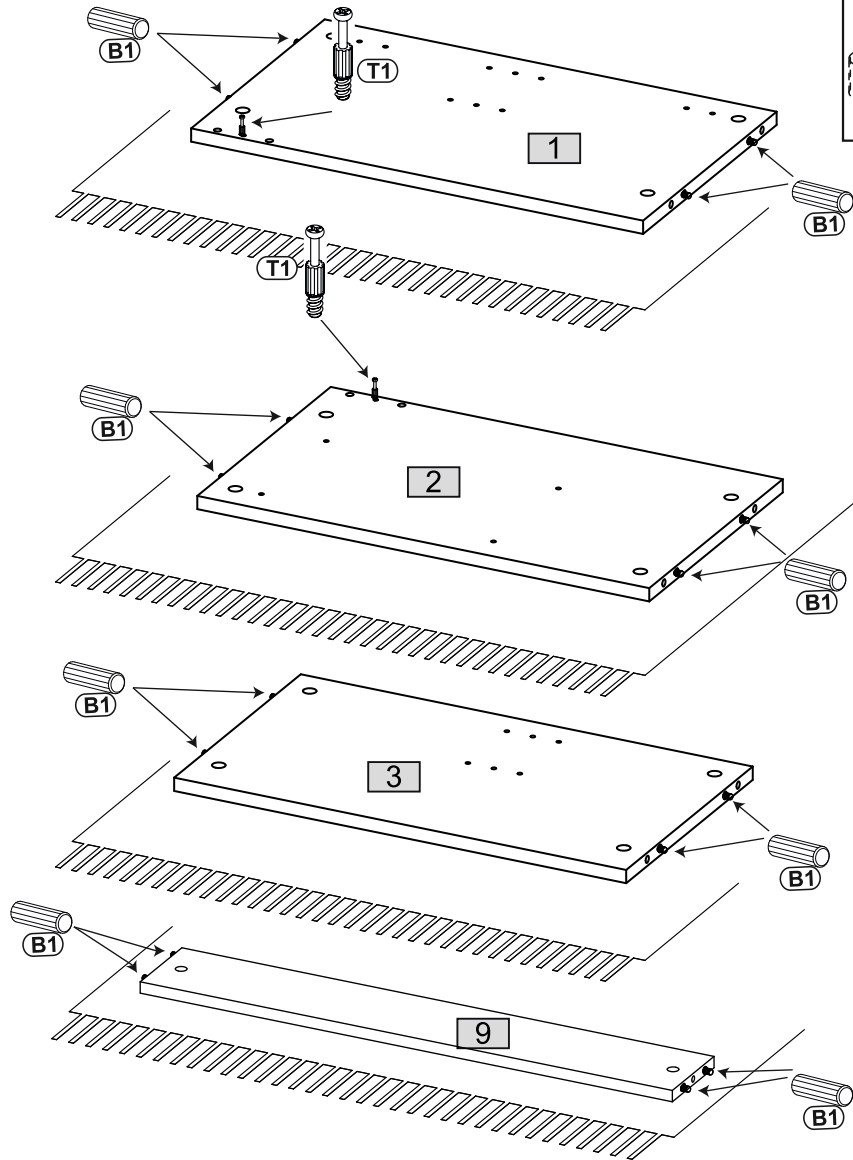
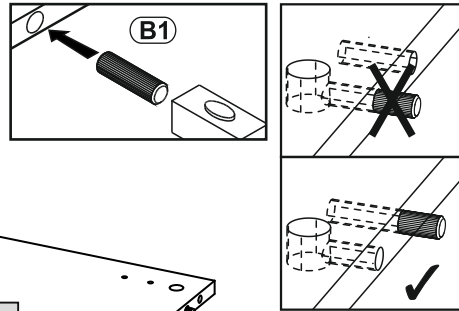


4



## 5

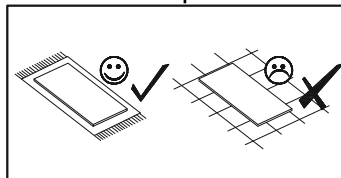
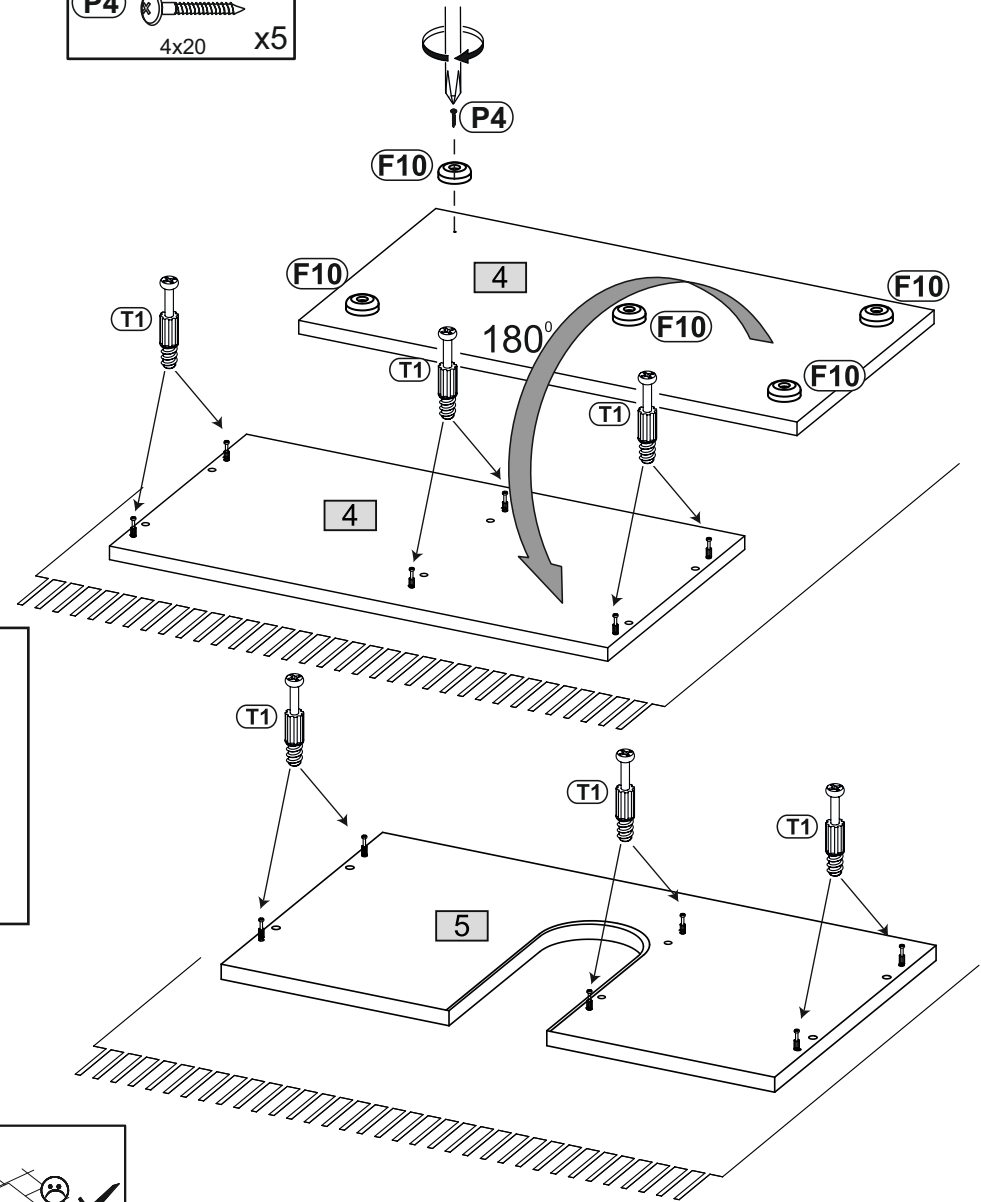
- B1** 8x28 x16
- T1** x2



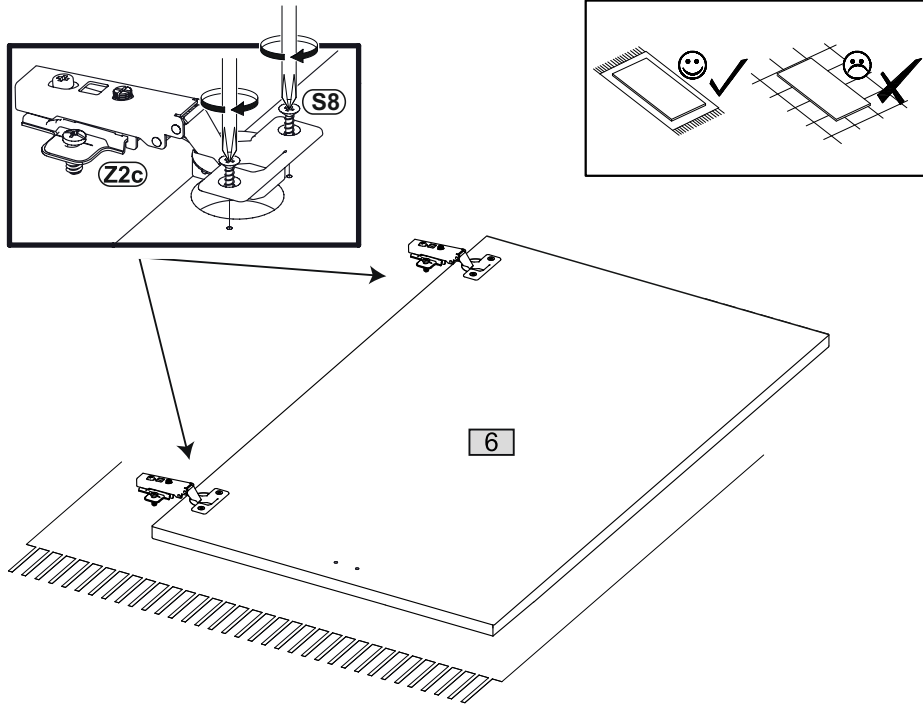
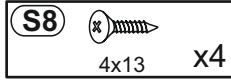
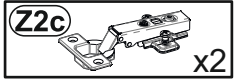
## 6

- F10** x5
- P4** 4x20 x5

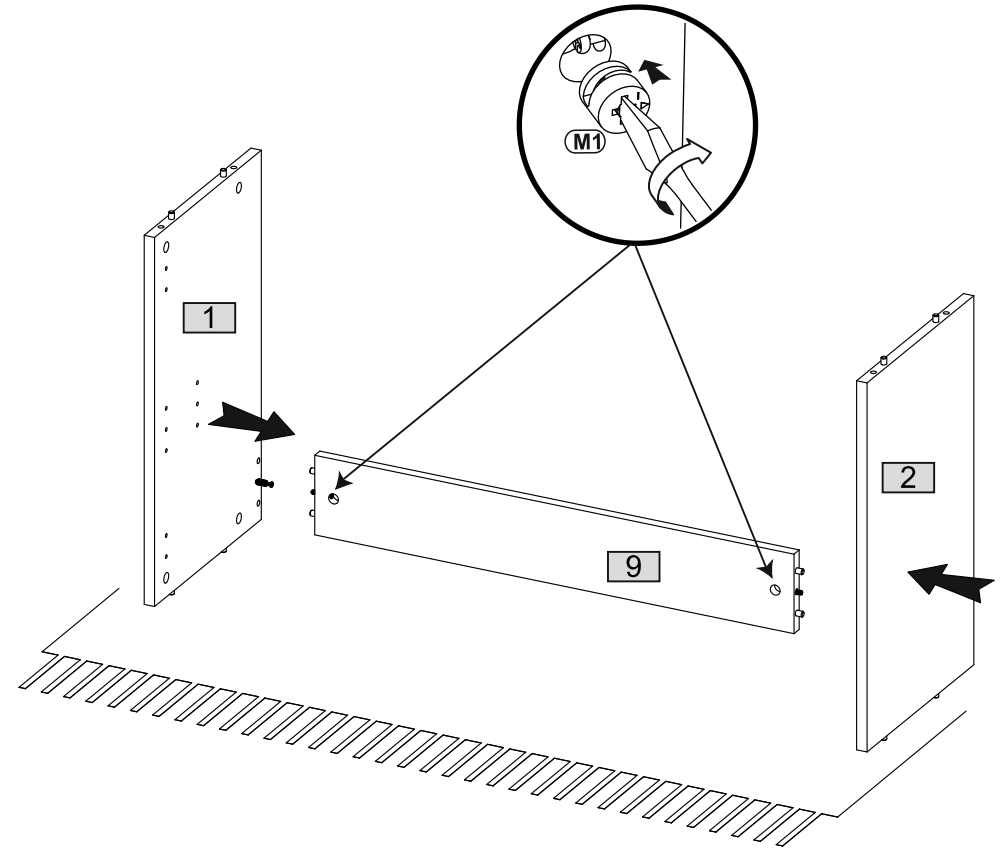
- T1** x12



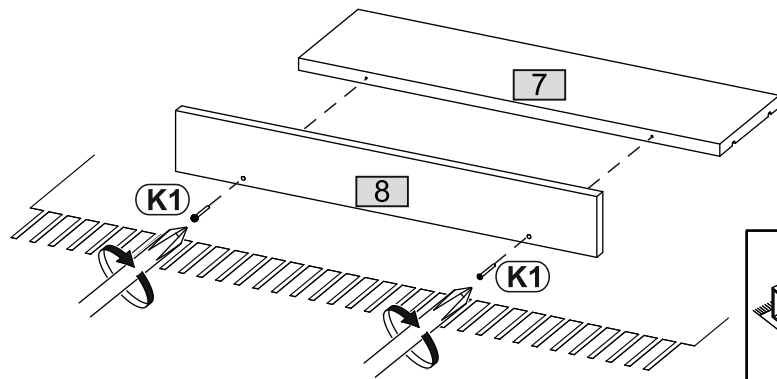
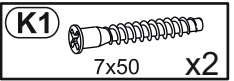
## 7



## 9

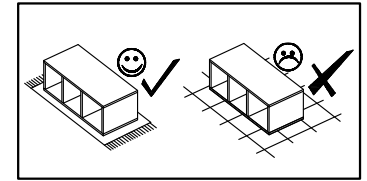
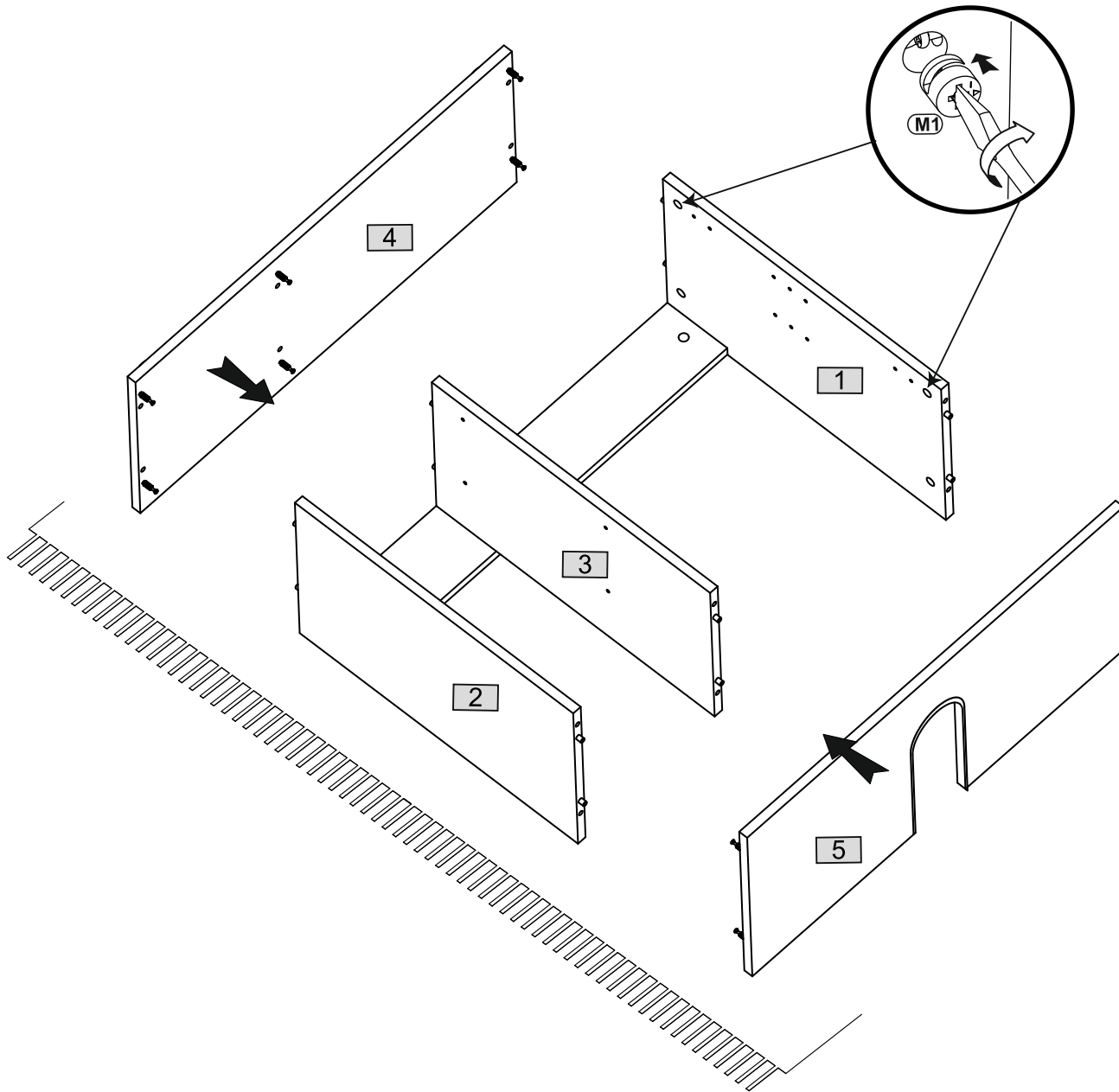


## 8



10

M1  
φ15x12 x12

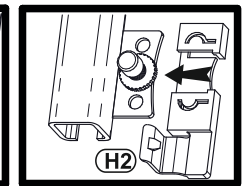
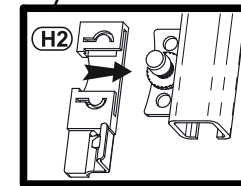
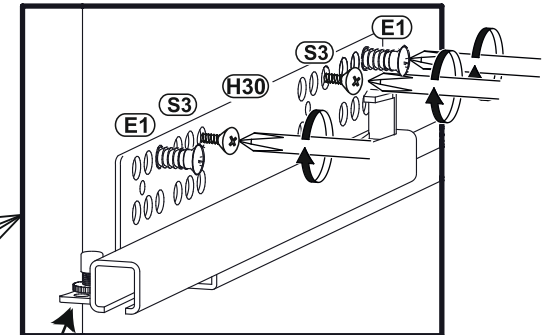
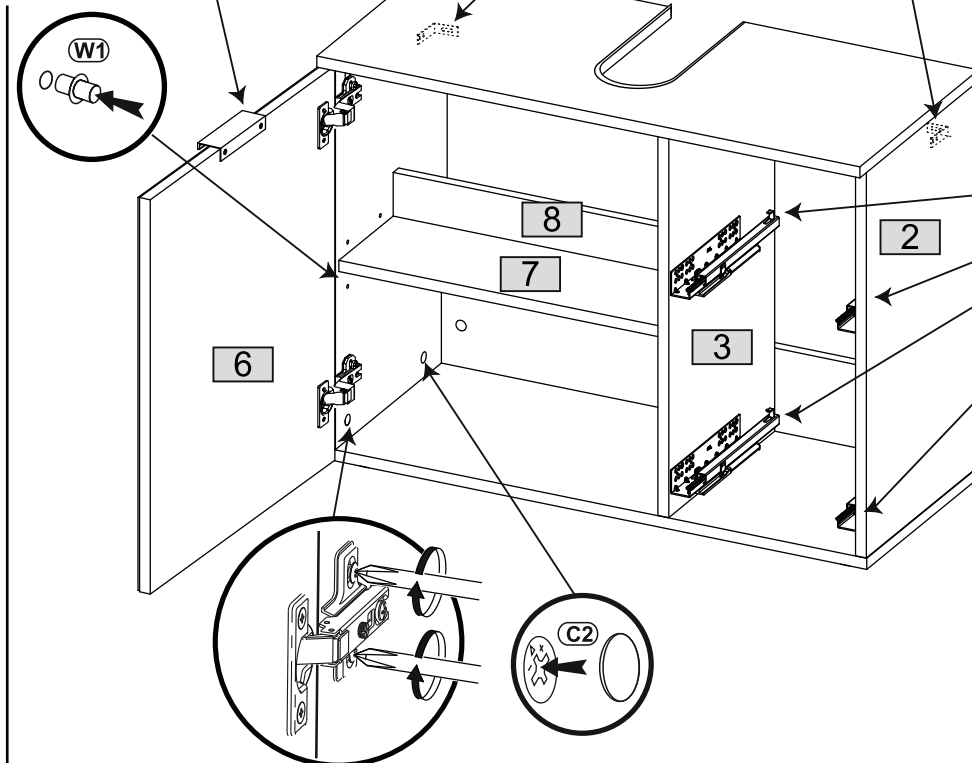
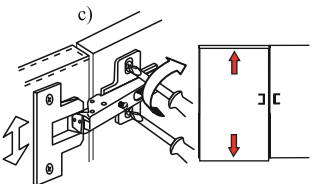
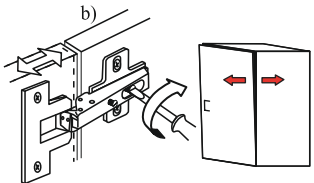
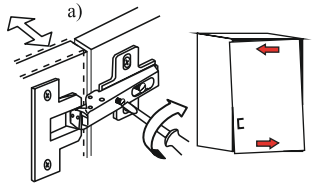
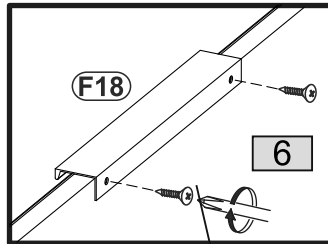
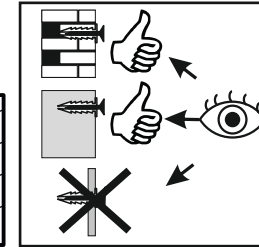
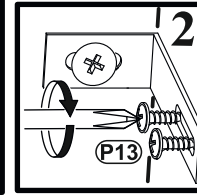
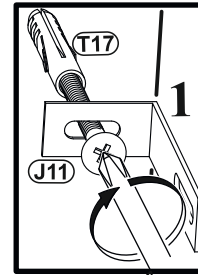


11

|            |  |               |    |
|------------|--|---------------|----|
| <b>P13</b> |  | 3,5x13        | x4 |
| <b>J11</b> |  |               | x2 |
| <b>T17</b> |  | φ8x50<br>5x60 | x2 |

|            |  |    |     |
|------------|--|----|-----|
| <b>F18</b> |  |    | x1  |
| <b>C2</b>  |  | 20 | x14 |
| <b>W1</b>  |  |    | x4  |

|            |  |        |    |
|------------|--|--------|----|
| <b>H30</b> |  | L=250  | x2 |
| <b>E1</b>  |  | 6,3x13 | x8 |
| <b>H2</b>  |  |        | x2 |
| <b>S3</b>  |  | 3,5x13 | x8 |



12

