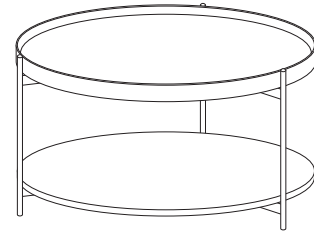
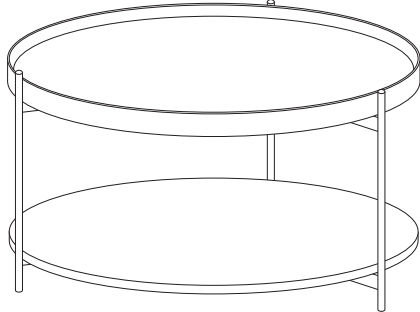


LANDER



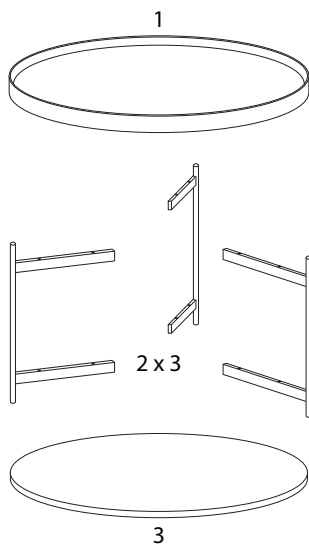
20'

2

1/4

2302/LANDER/131125/

1	2	3
x 1	x 3	x 1



A	B	C	D
x 12	x 3	x 1	x 6

2/4

1	2	3	A	C
	x 3	x 1	x 6	x 1

2	D
x 3	x 6

3/4

2302/LANDER/131125/

2302/LANDER/131125/

3

