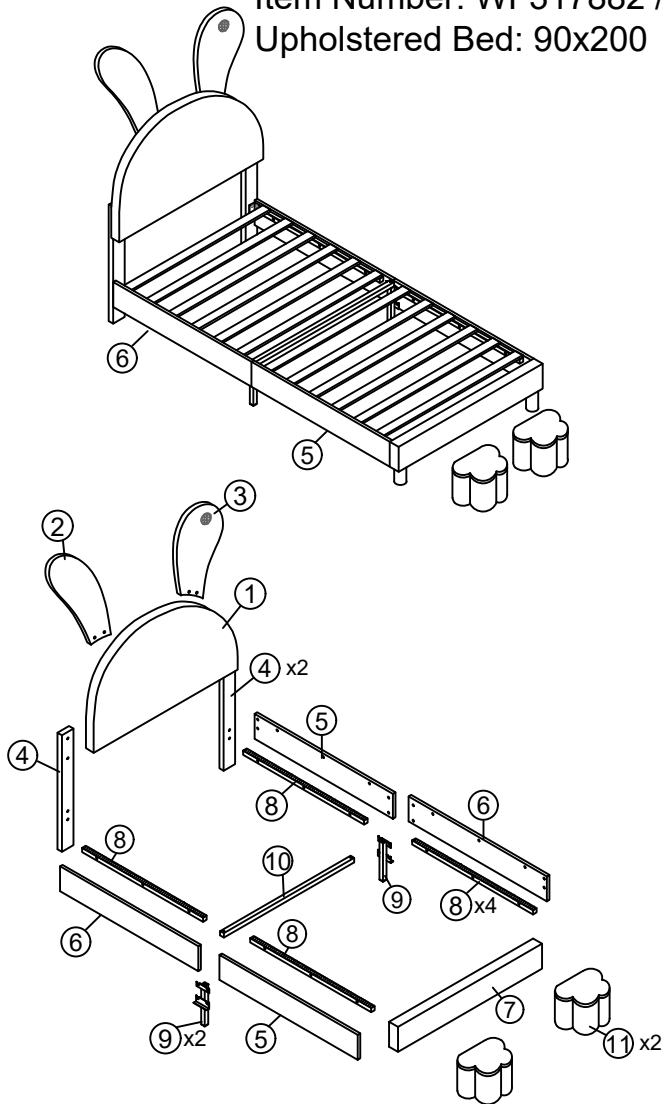


ASSEMBLY INSTRUCTION

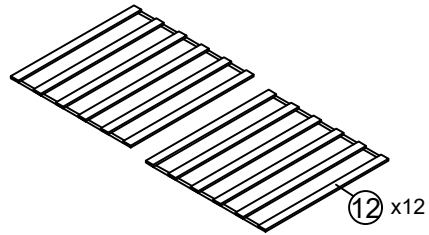
Item Number: WF317882 / WF317883







Upholstered Bed: 90x200



TIPS

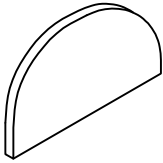



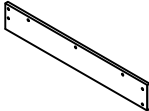
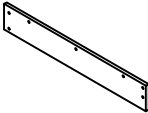
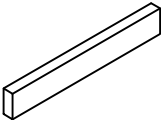



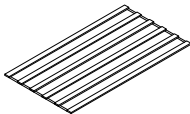
1. This product is divided into 2 parcels for delivery. They may not arrive at the same time. Please wait patiently.
2. Please read the instructions fully before assembly. These instructions include important information which could ensure correct assembly. We have been working on providing high quality products for you. However, in the rare instance that your product is defective, missing parts or there are some issues, please don't hesitate to contact our customer service to submit parts requirements, assembly suggestion, or warranty claims, and we will give the best solution as soon as possible. If necessary, we need you to provide some more clear pictures of the issue.
3. Insert the screws in holes and tighten the screws, but not too tight, 70%~80% is ok, finally tighten all the screws. If some issues happened that some screws can not target to the hole or some parts are difficult to install, please adjust the tightness of the screws.
4. 2 people are recommended to finish




Parts List			Hardware List		
NO	ITEM	QTY	NO	ITEM	QTY
1	Head board	1	A	Allen Key 	1
2	Ear of the Headboard	1	B	Bolts (M8x50mm) 	8
3	Ear of the Headboard	1	C	Power adapter 	1
4	Head board legs	2	D	Bolts (M8x18mm) 	24
5	Siderails	2	E	Bolts (M8x40mm) 	14
6	Siderails	2	F	"7" Connector 	4
7	Foot board	1	G	Bed legs 	2
8	Side rails support bar	4			
9	Side rails support legs	2			
10	Cross bar	1			
11	Bed end stool	2			
12	Slats	12			

Part List

WF317882

1  Head board-1pc	2  Ear of the Headboard-1pc	3  Ear of the Headboard-1pc
4  Head board legs -2pcs	5  Side rails-2pcs	6  Side rails-2pcs
7  Foot board -1pc	8  Side rails support bar-4pcs	9  Side rails support legs-2pcs
10  Cross bar-1pc	12  Slats-12pcs	

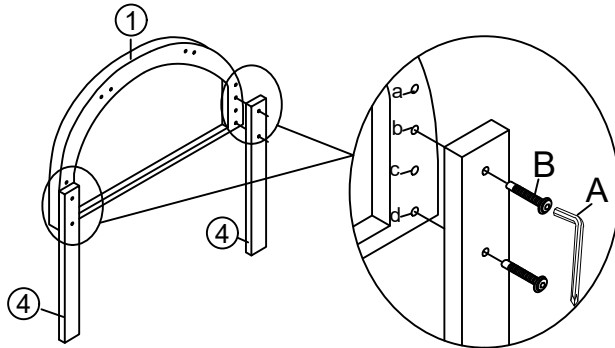
WF317883



11  Bed end stool-2pcs
--

Attention: Do not tighten the screws before completing the entire installation. If you have any difficulty with the installation process, please feel free to contact us.

Step 1

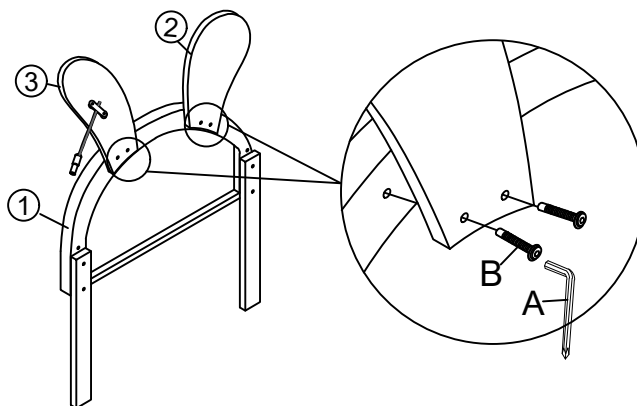
Fix the Headboard legs ④ to the Headboard ① with Bolts B by using Allen key A. You can chose the holes a and c or b and d.





A Allen Key	B Bolts x 4
	 M8X50mm

Step 2

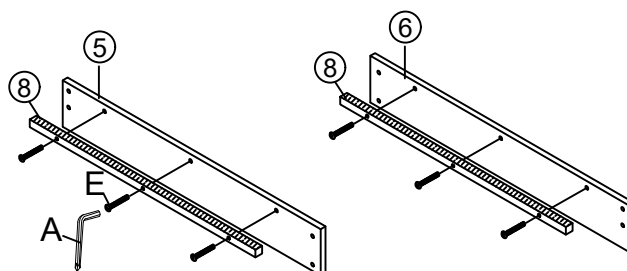
Fix the Ear of the Headboard ② and ③ to the Headboard ① with Bolts B by using Allen key A.





A Allen Key	B Bolts x 4
	 M8X50mm

Step 3 x2

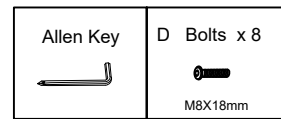
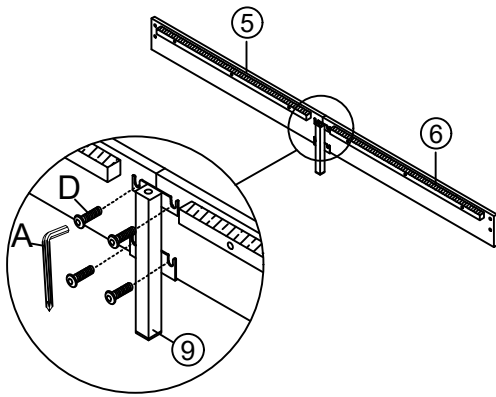
Connect Siderail support bar ⑧ to Siderails ⑤ and ⑥ with Bolts B by using Allen key A.



Allen Key	E Bolts x 12
	 M8X40mm

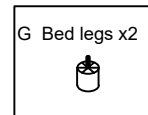
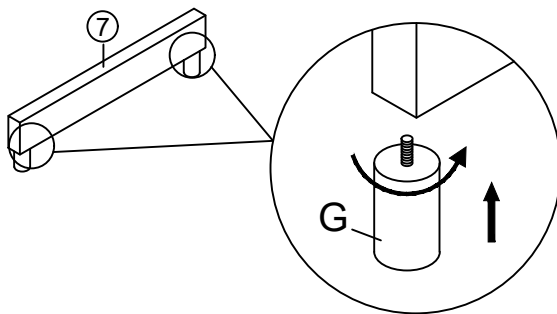
Step 4 x2

Fix the side rails support leg ⑨ to the assembled side rail with Bolts D by using Allen key A.



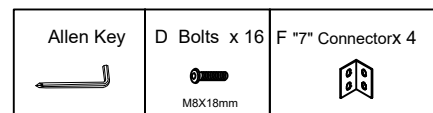
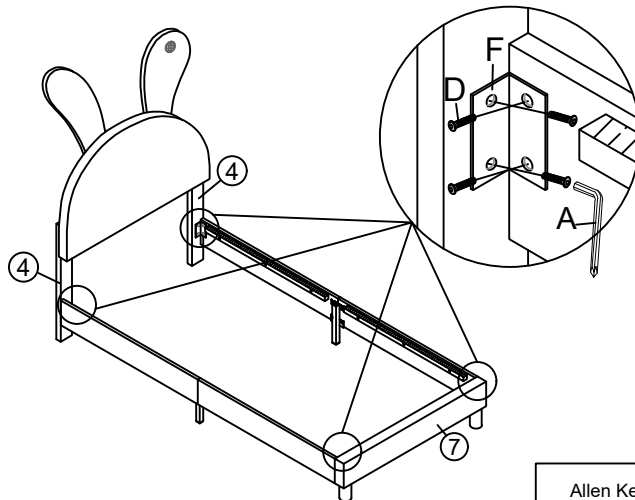
Step 5

Fix the legs G to the foot board ⑦.



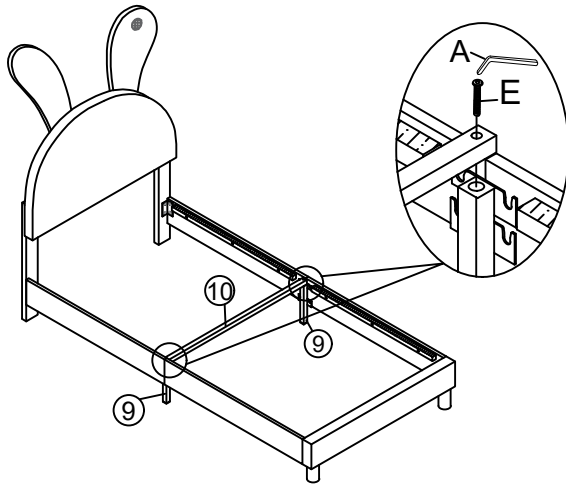
Step 6



Fix the assembled siderail to the Headboard legs ④ and footboard ⑦ with Bolt D and "7" Connector F by using Allen key A.



Step 7

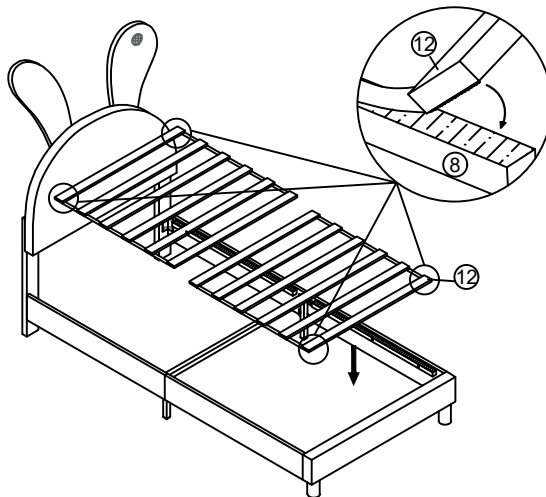
Fix the cross bar ⑩ to the side rails support legs ⑨ with Bolts E by using Allen key A.



Allen Key	E Bolts x 2
	
	M8X40mm

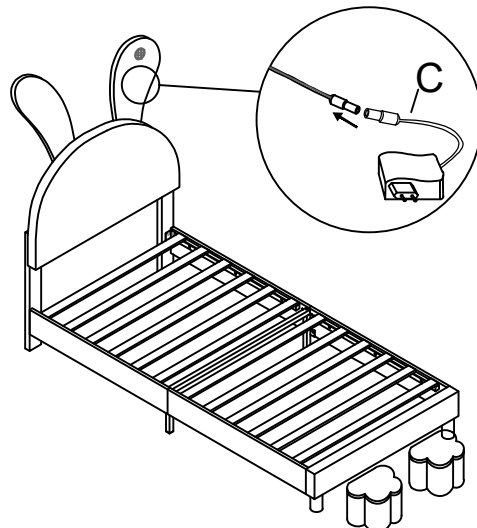
Step 8


Fix the slats ⑫ to the side support bar ⑧.



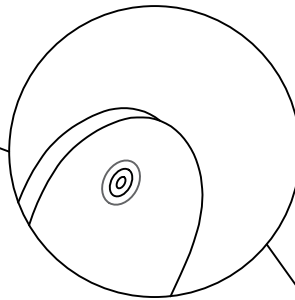
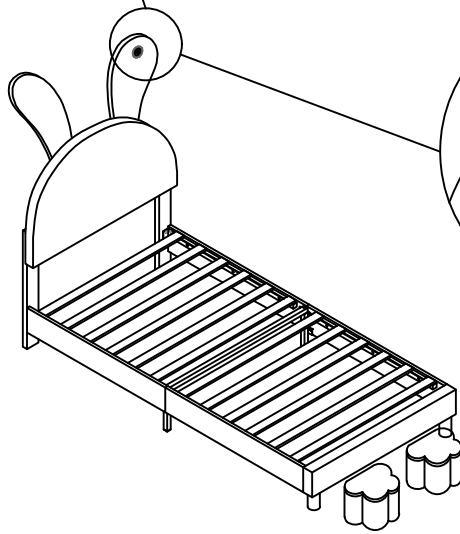
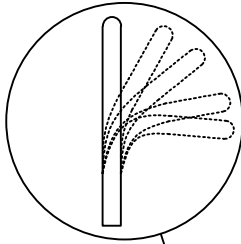
Step 9

Fix one side of the power adapter C to the bed, then connect it to the power.



C Power adapter x1


Part 3 can be bent at multiple angles. You can bend it to the angle you want according to your requirements.



The circle in the middle of the light is a touch switch. The first touch will turn it on half-light, the second touch will turn it on fully, and the third touch will turn it off.

