

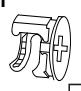
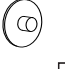
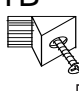



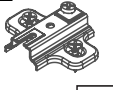
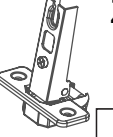
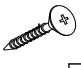



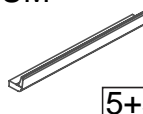
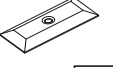




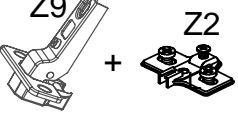
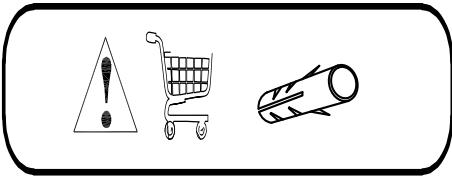





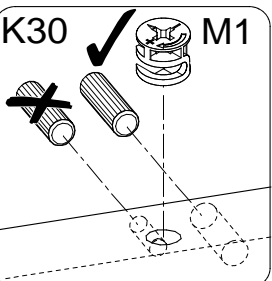
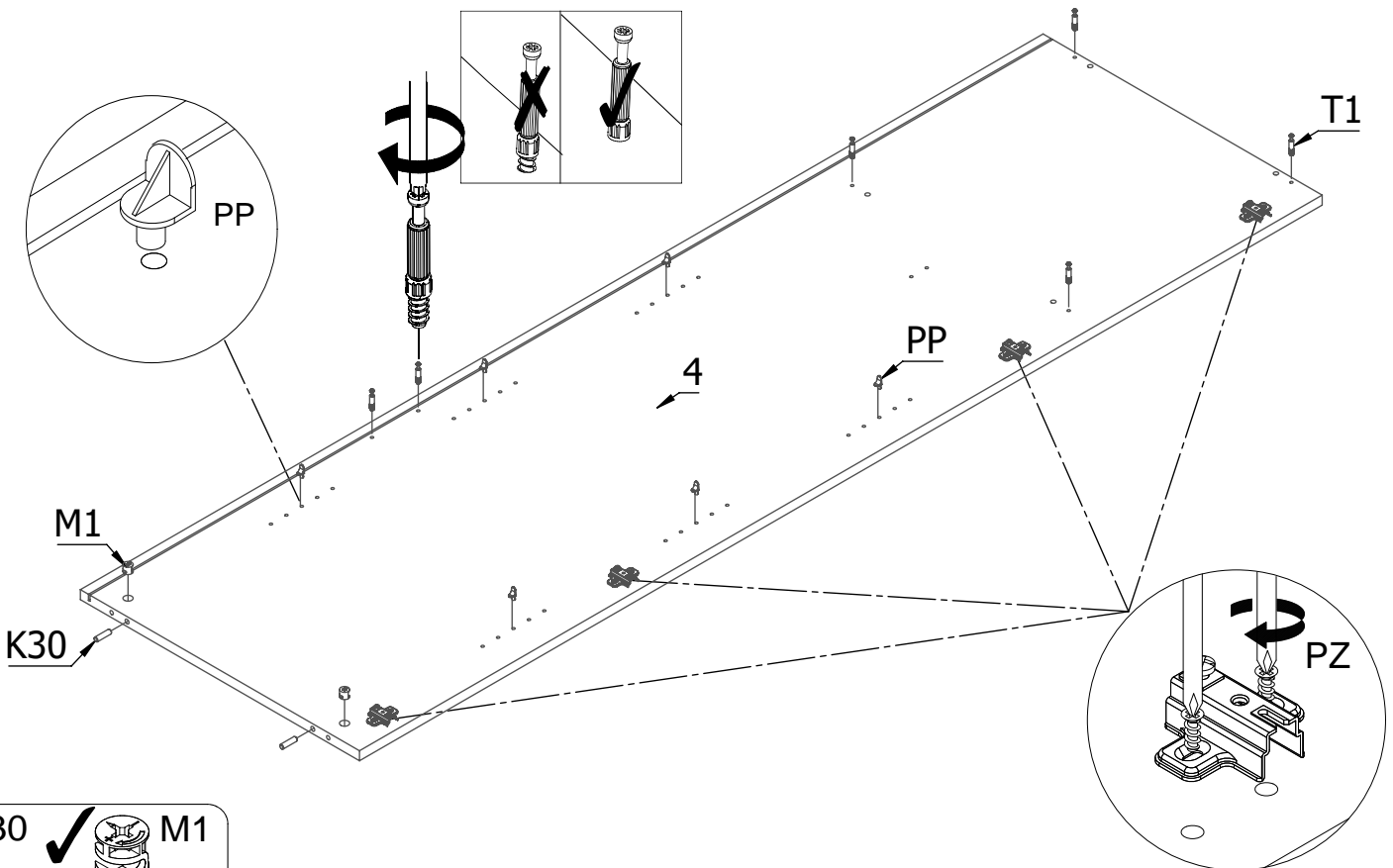







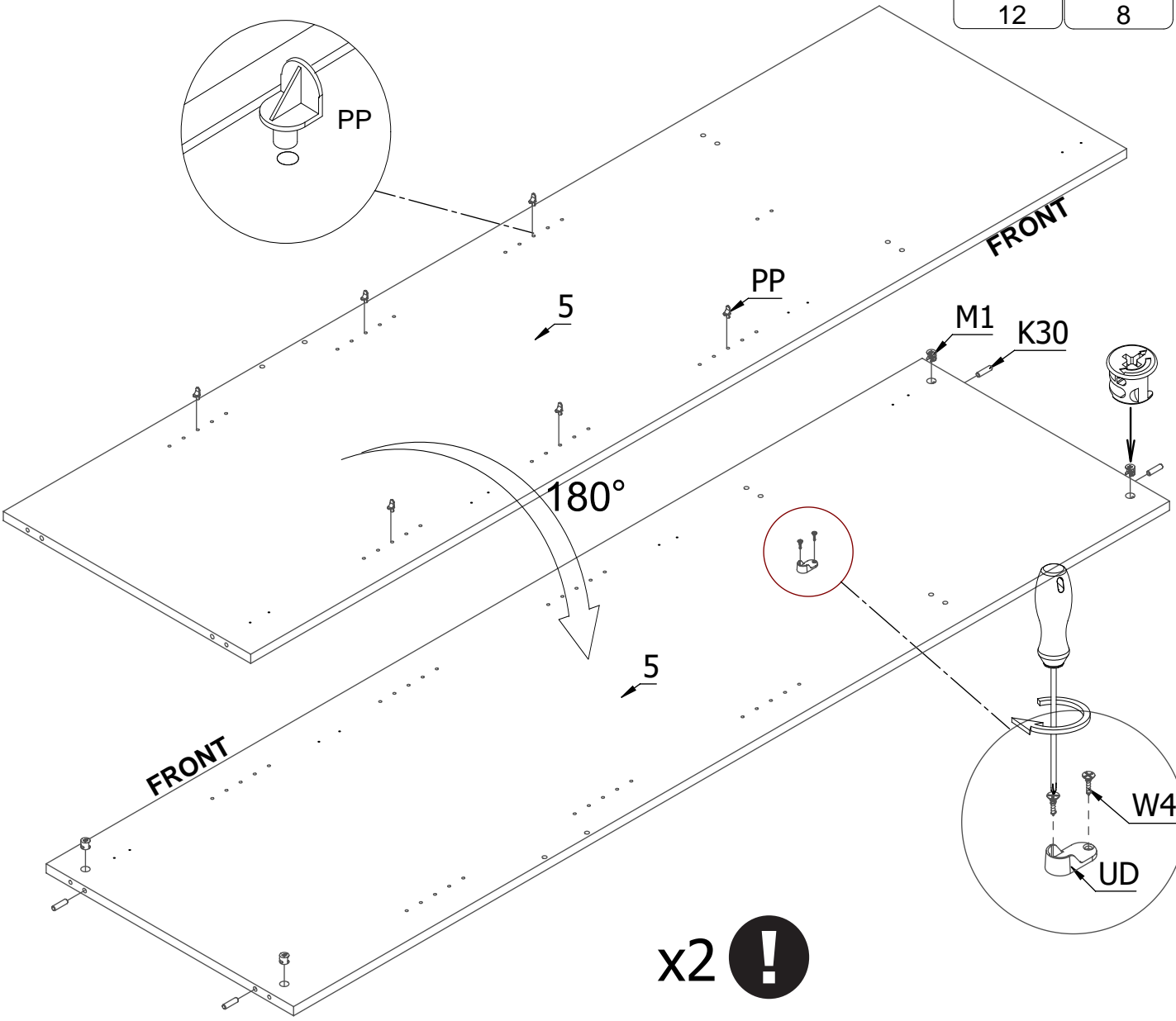
K30  28	T1  32	M1  64	x  64	STB  15	W4x16  49	UD  4	W3x16  48
PZ  8	ZP  8	W4x25  10	GW  50	SM  12	W4x20  24	UM  5+5	ZM  48
PP  36	MS  1	T2  16	K45  8	Z9 + Z2  12			




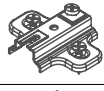

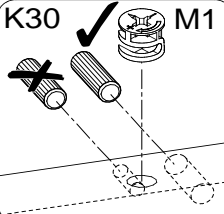


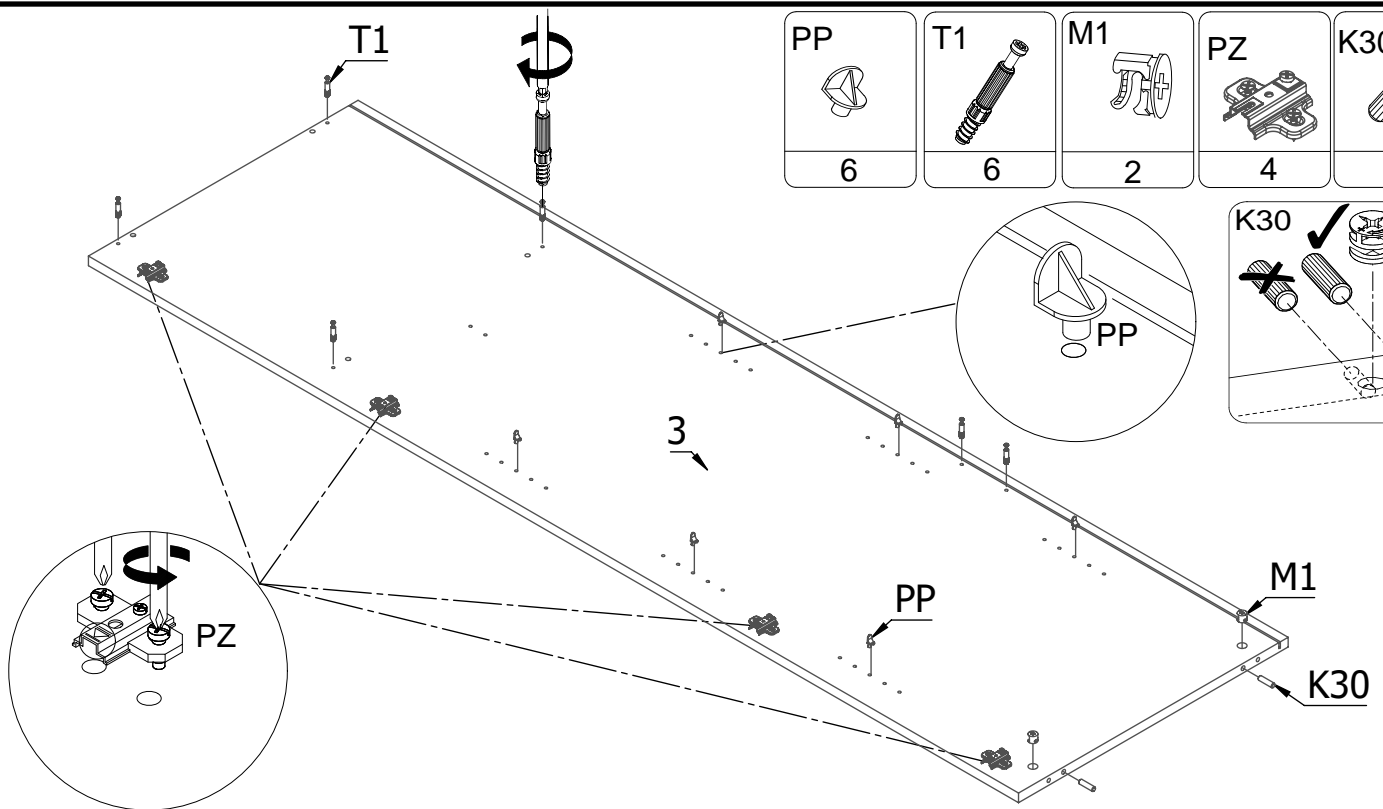
PP  6	T1  6	M1  2	PZ  4	K30  2
---	---	---	---	--



PP  12	K30  8	M1  8
UD  2		
W4x16  4		



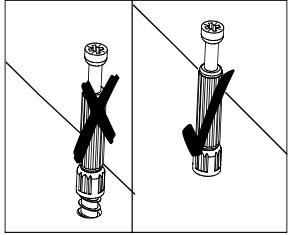
PP  6	T1  6	M1  2	PZ  4	K30  2
				





T1

2



PP



12

K30



8

M1



8

UD

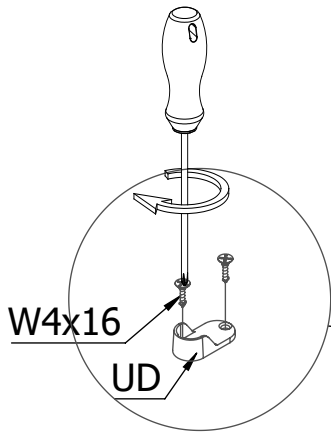


2

W4x16



4



5

180°

5

FRONT

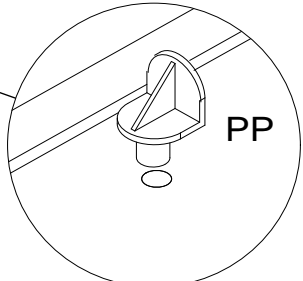
FRONT

PP


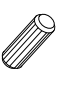
M1

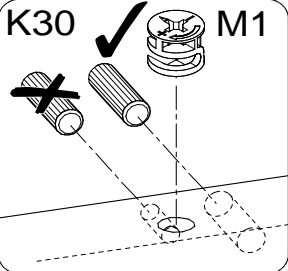
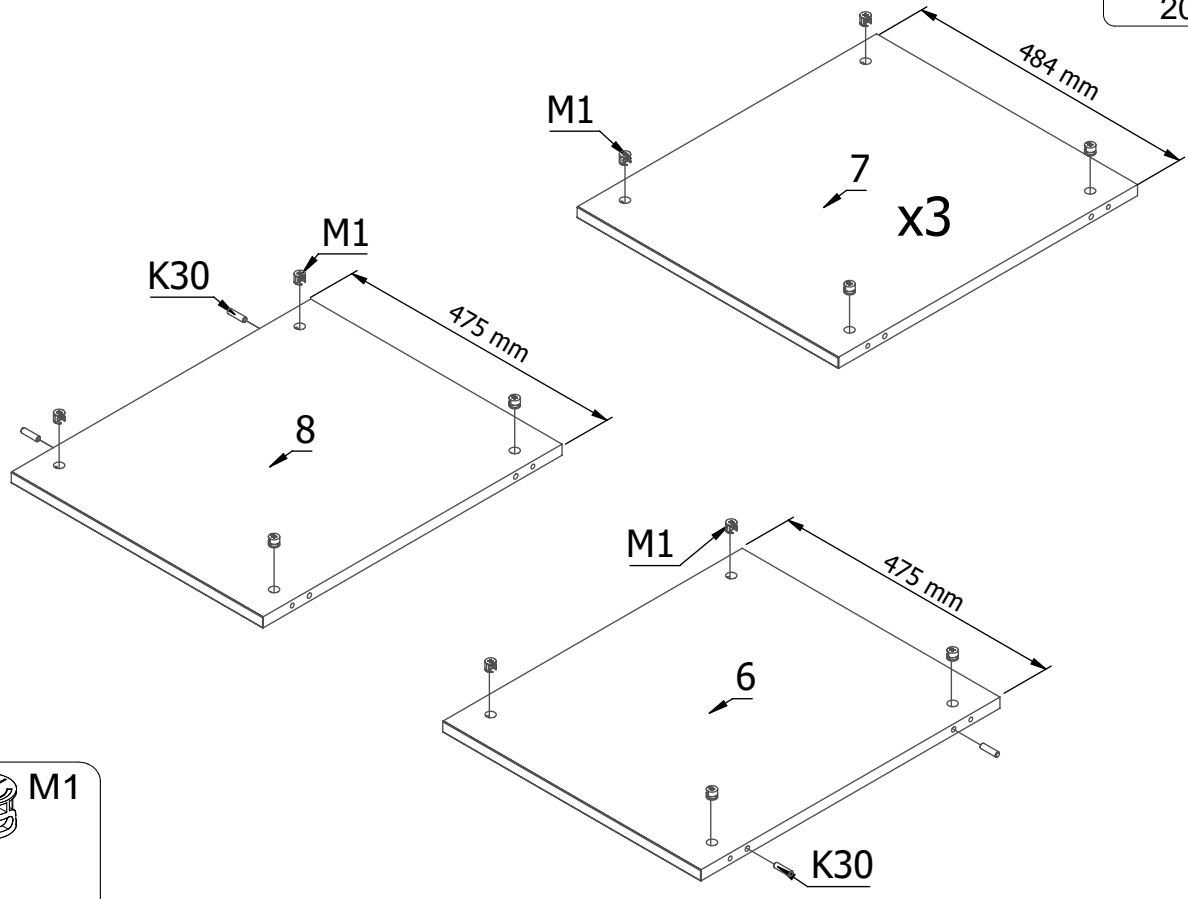
K30


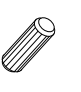

x2

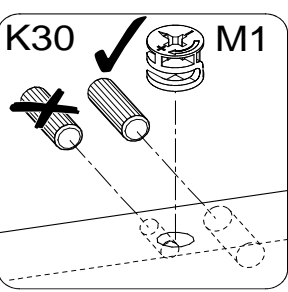
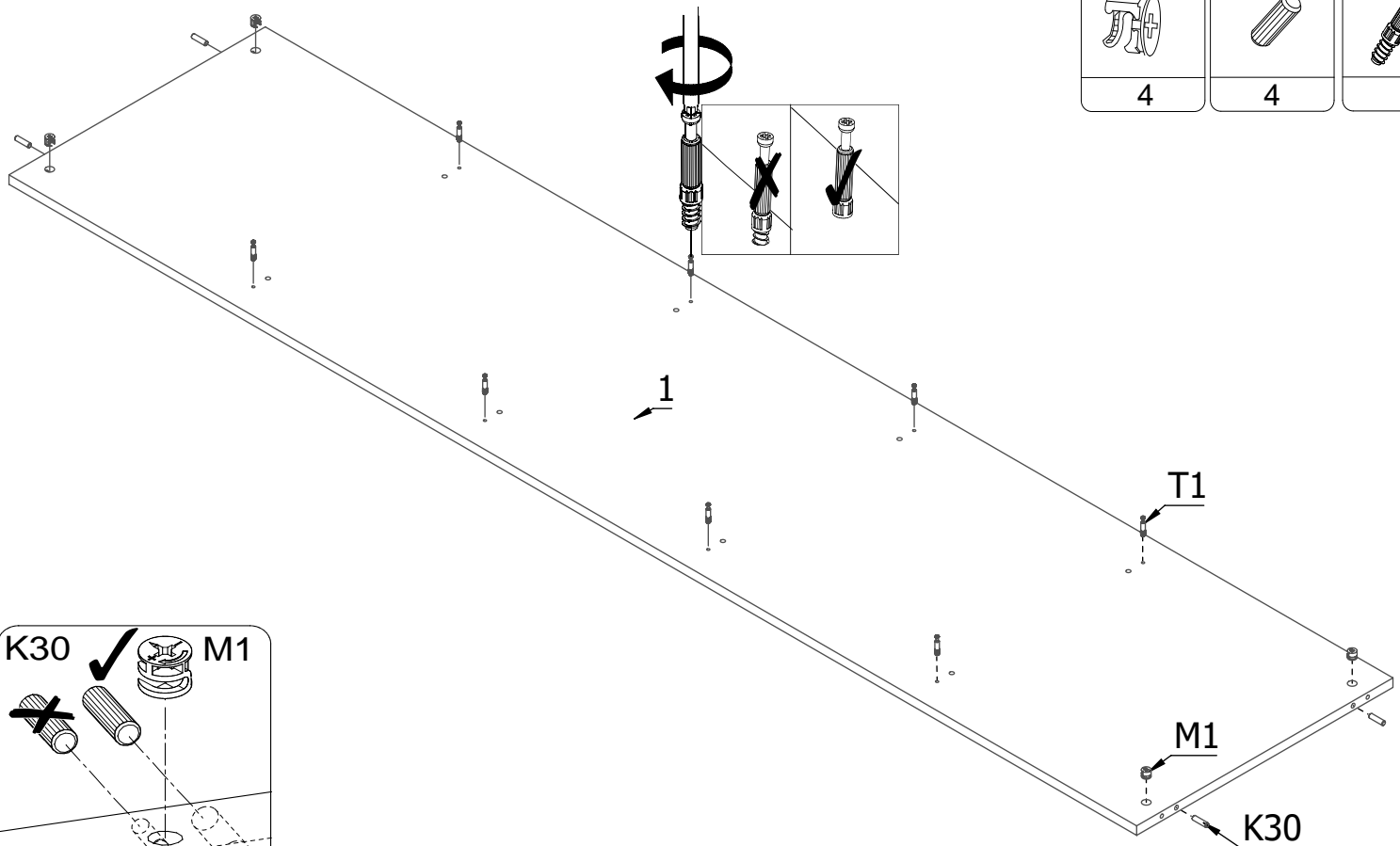




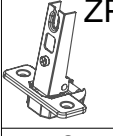
PP

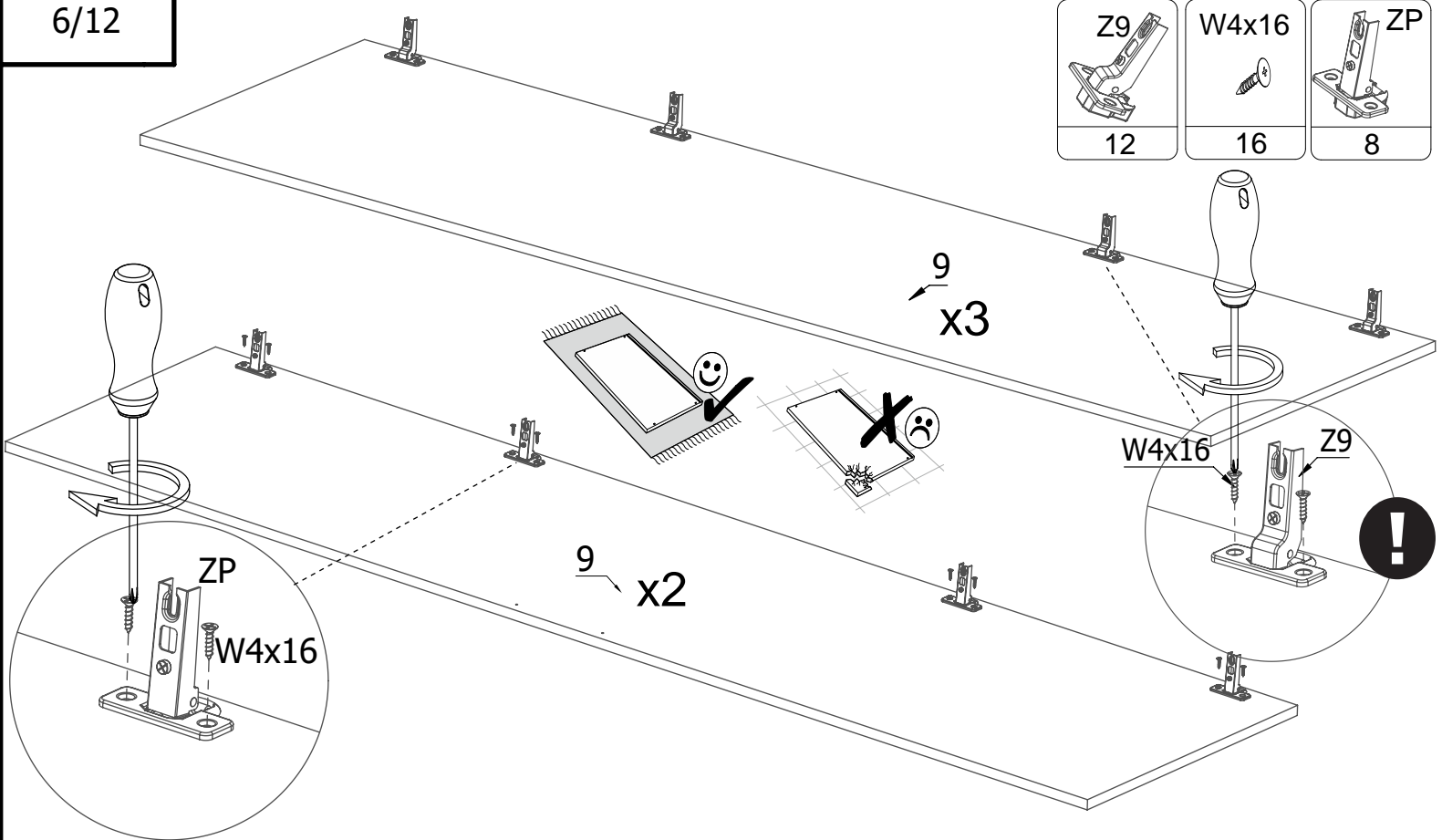
M1	K30
	
20	4


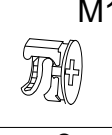
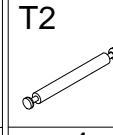


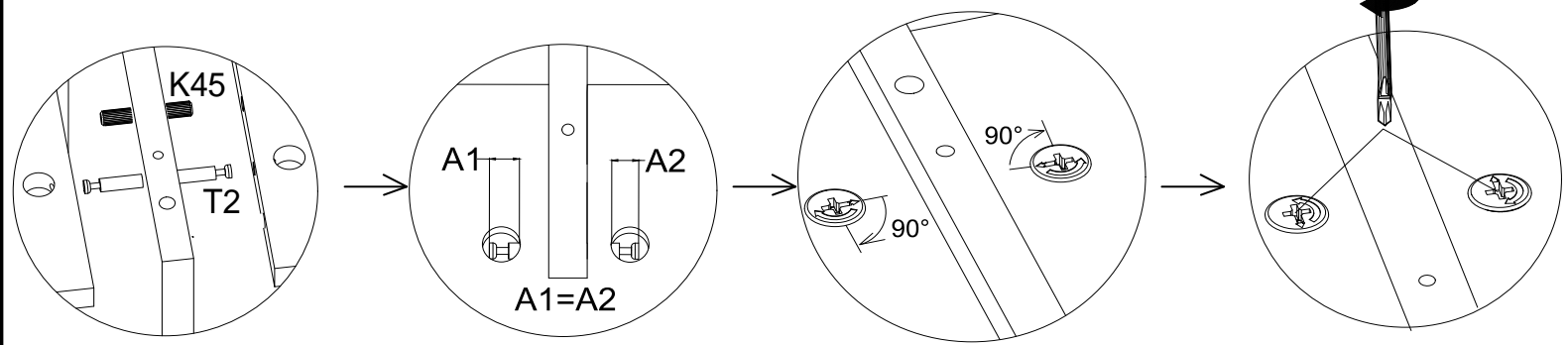
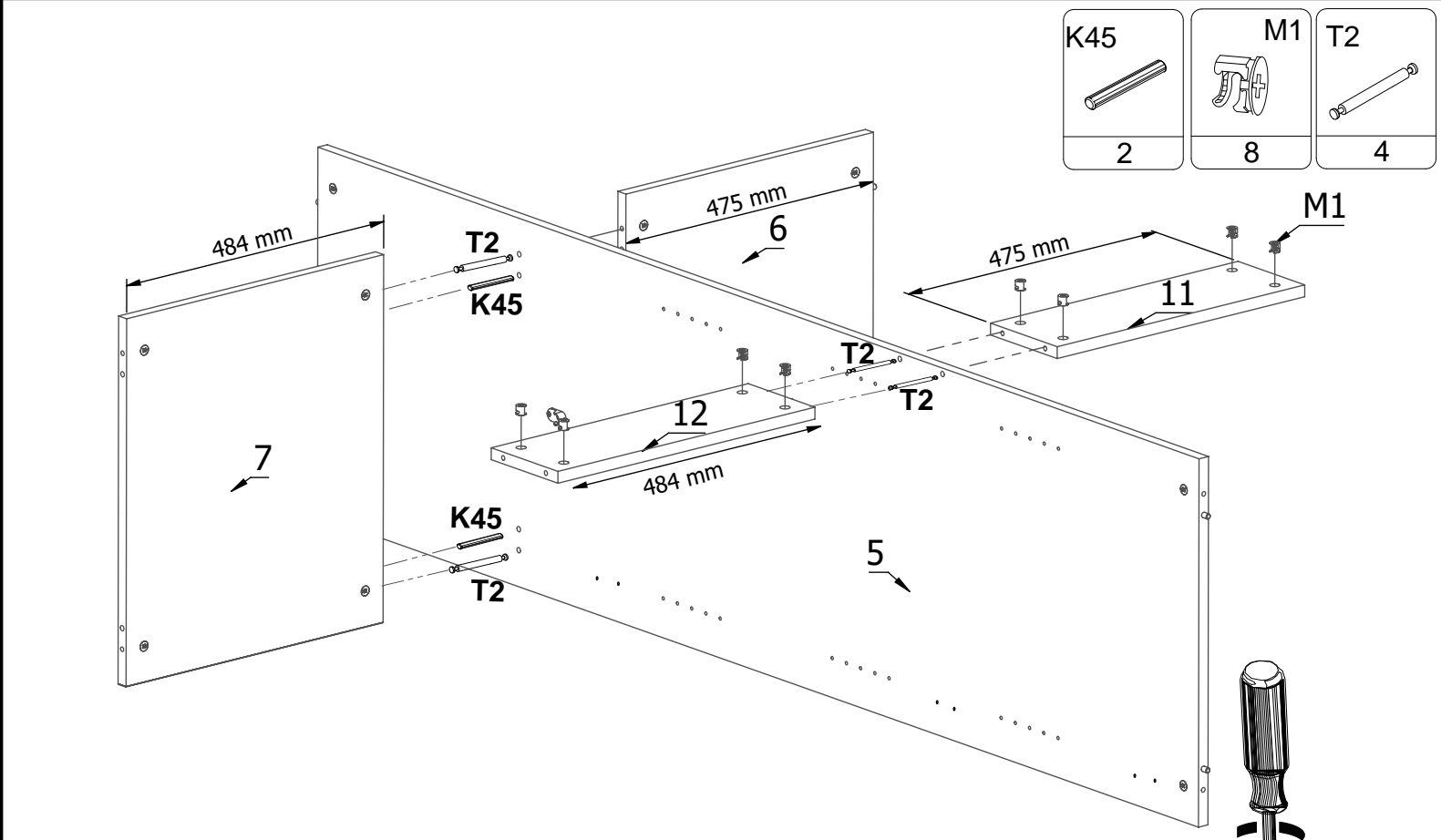
M1	K30	T1
		
4	4	8



		
12	16	8



		
2	8	4



K45



4

M1

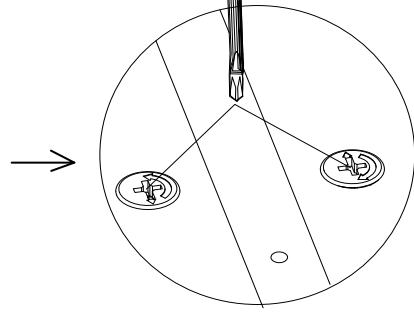
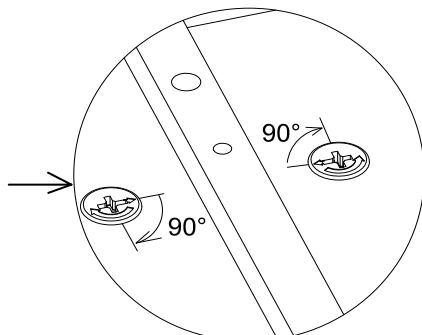
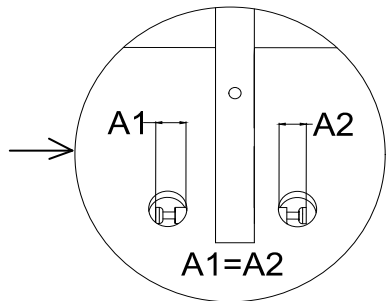
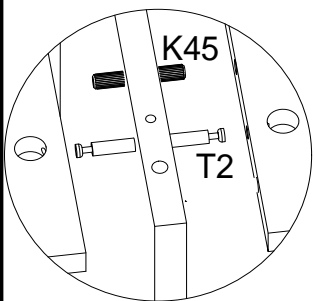
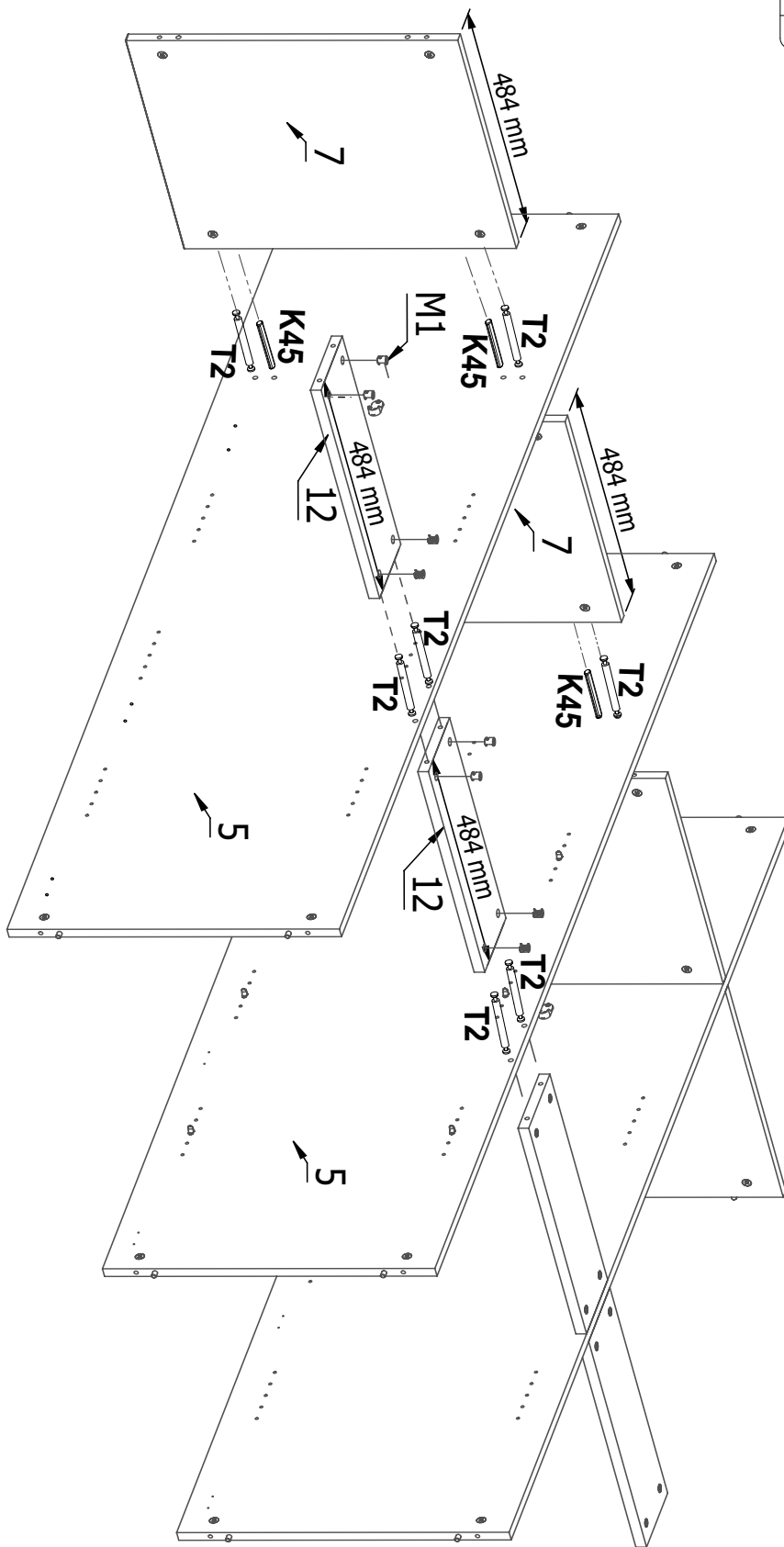


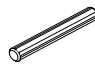

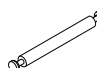
8

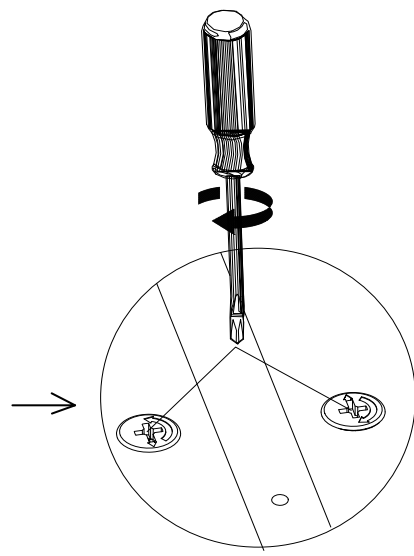
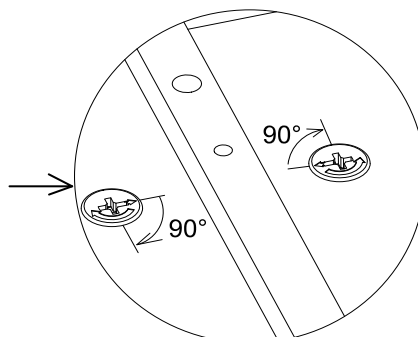
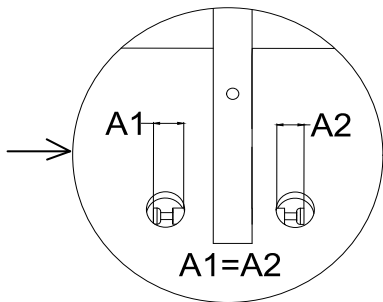
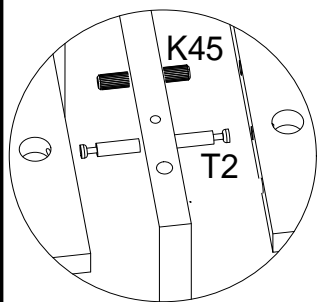
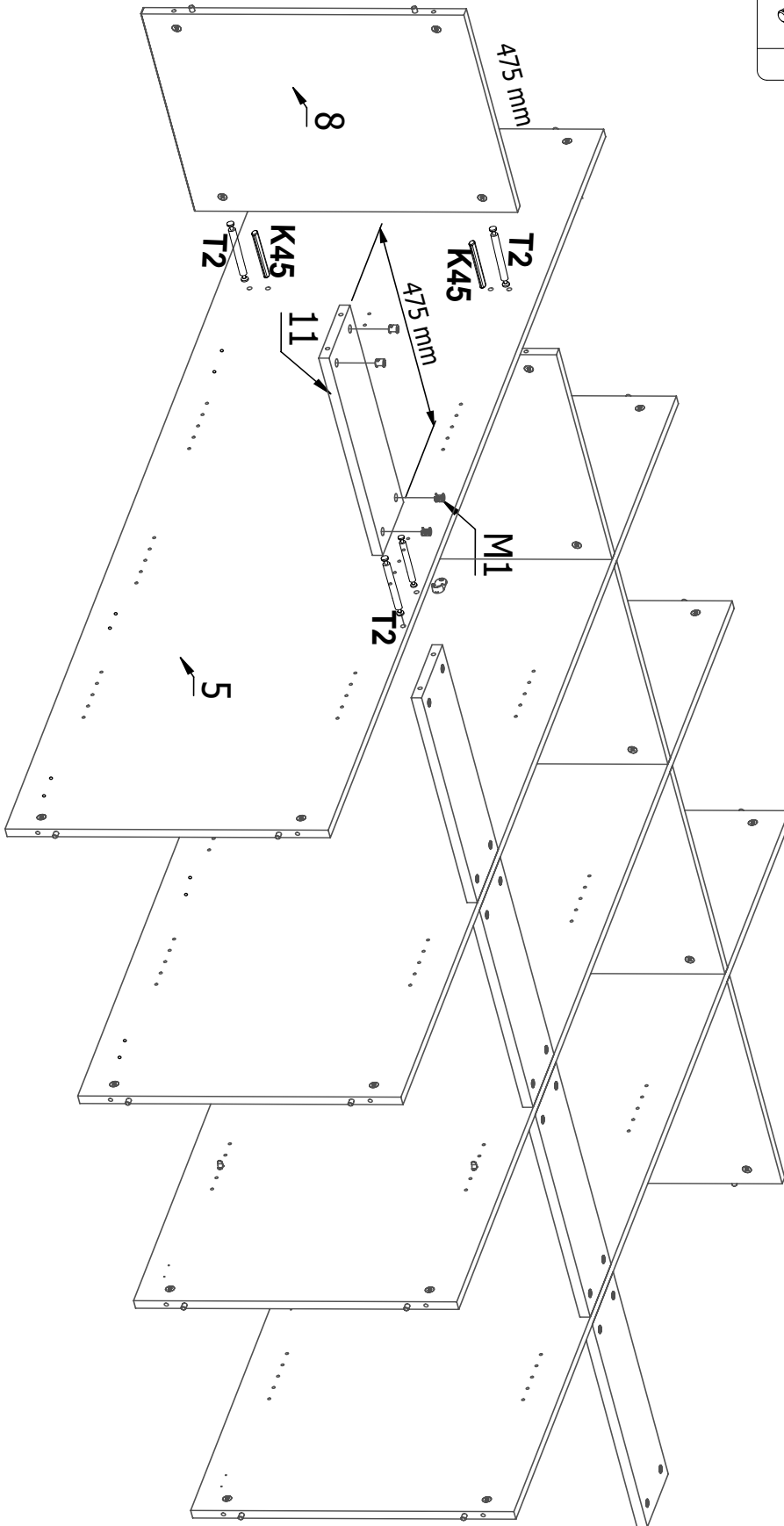
T2

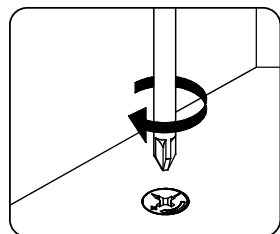
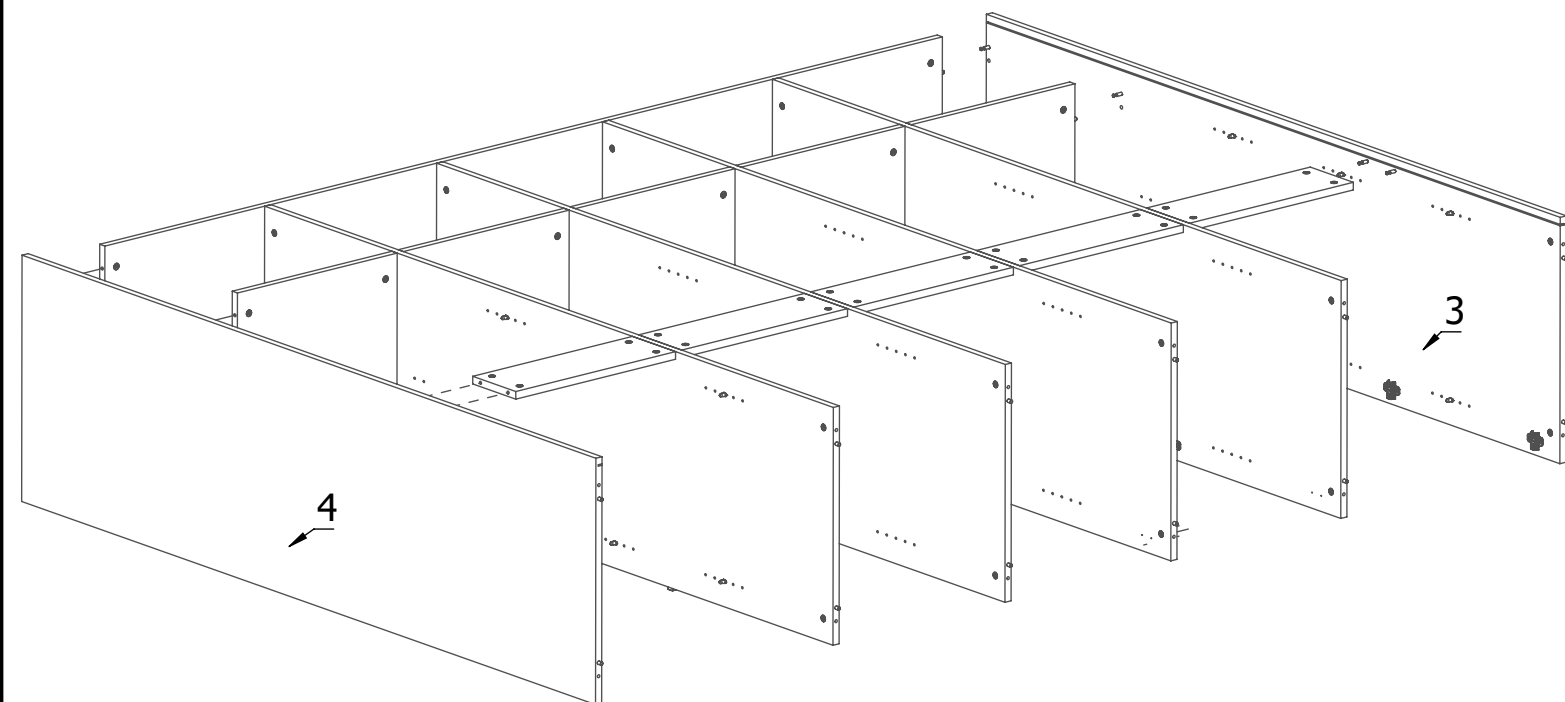
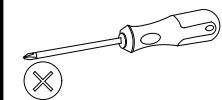
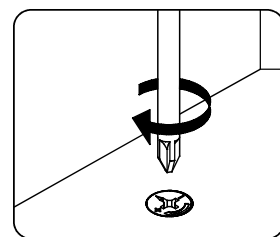
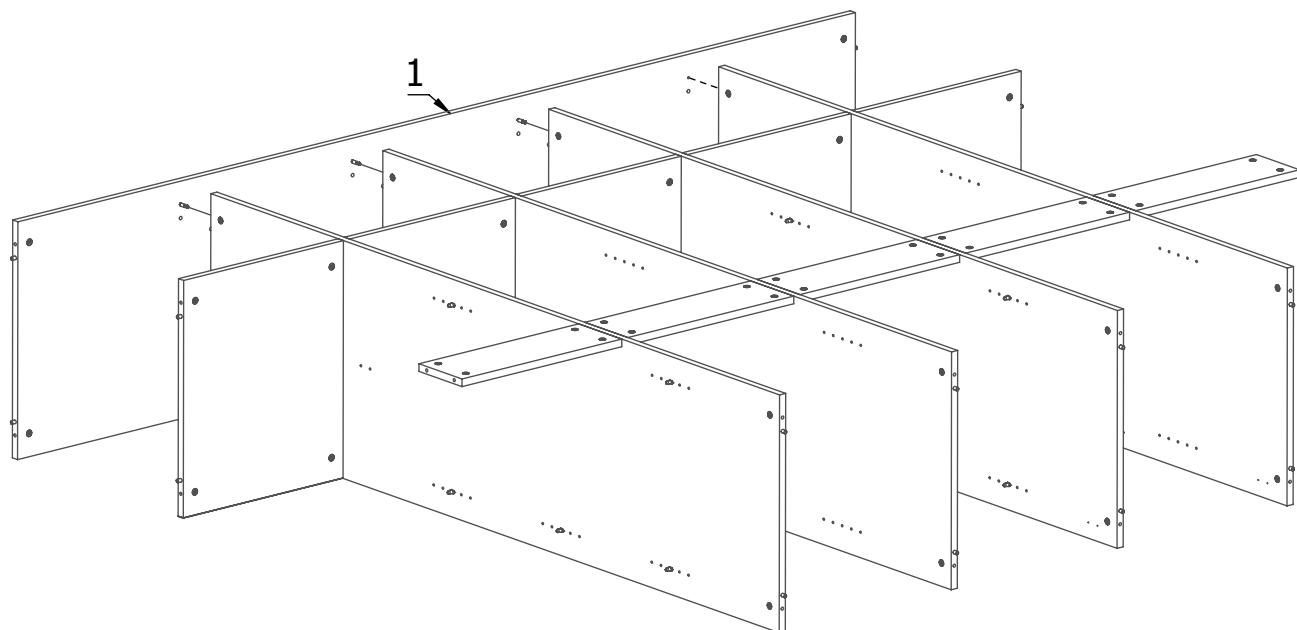
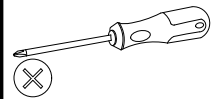


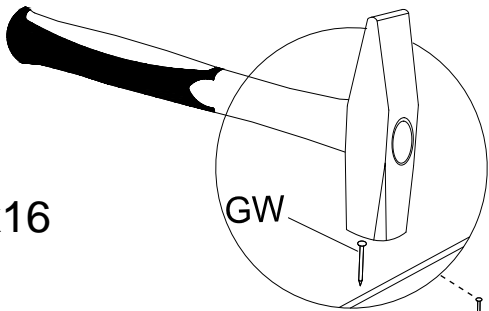
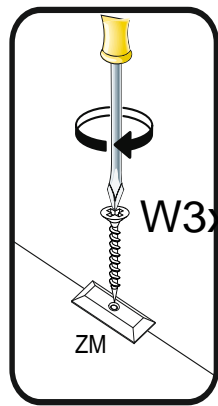
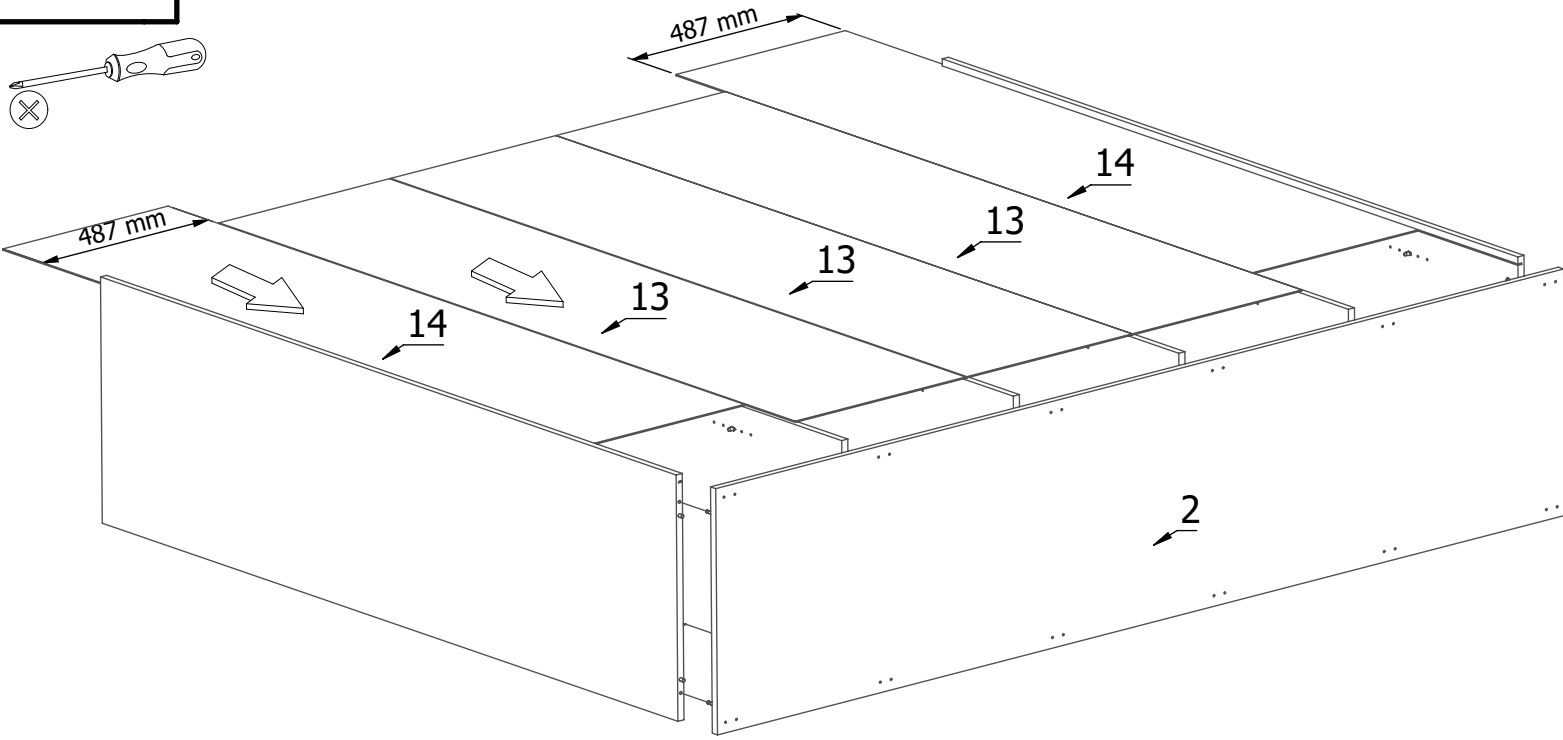
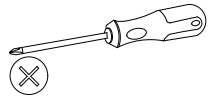
8



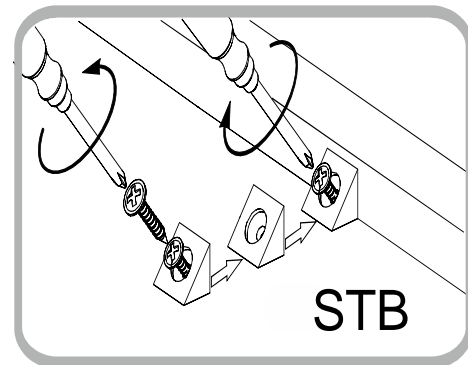
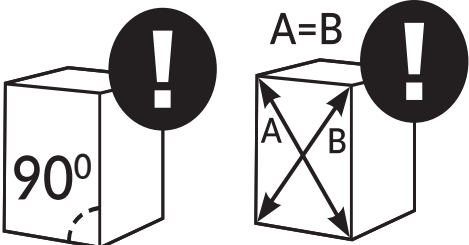
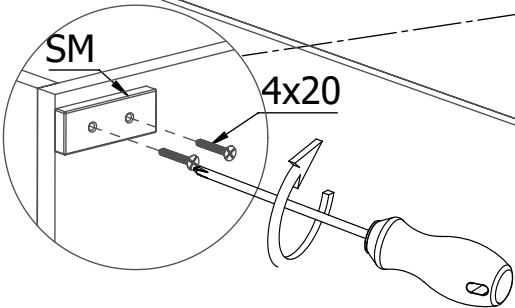
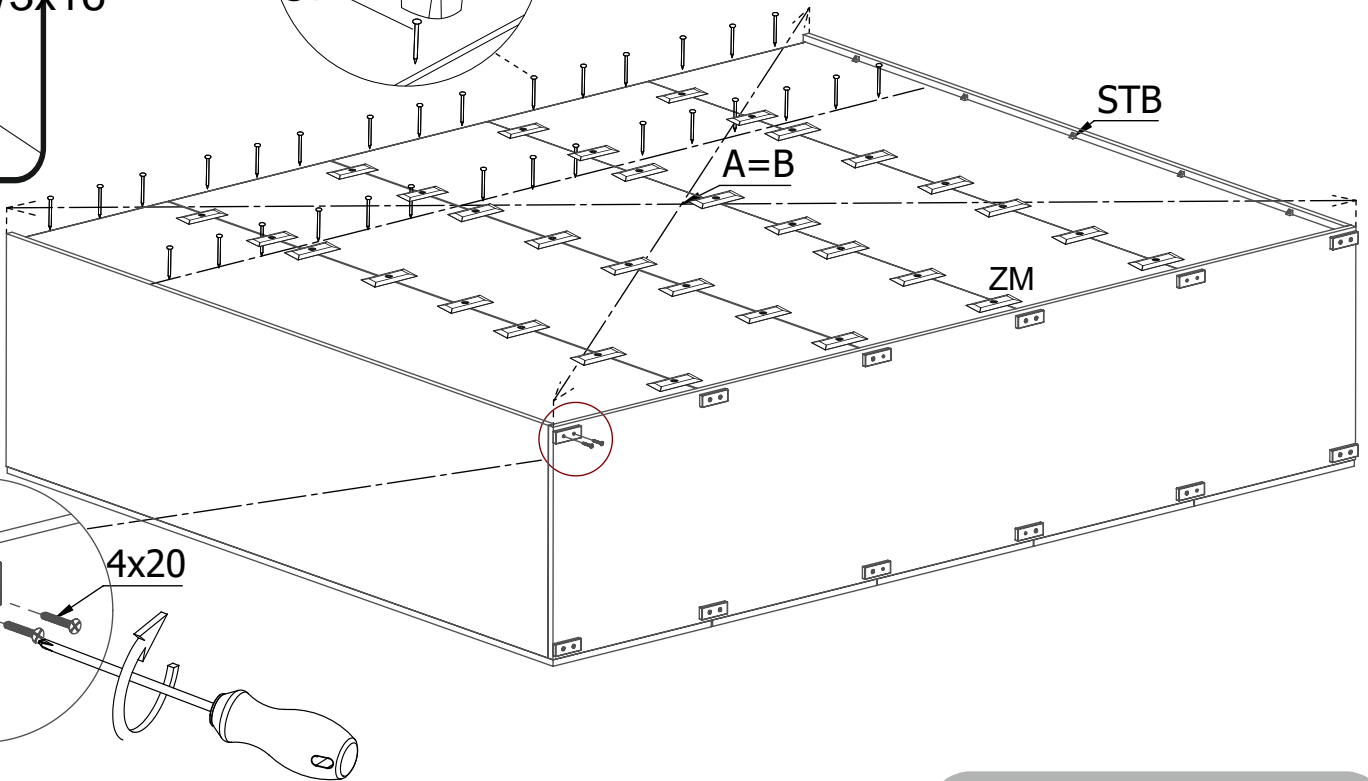
K45  2	M1  4	T2  4
--	---	---







ZM 48	W3x16 48	W4x20 24	SM 12	GW 50	STB 15
--------------	-----------------	-----------------	--------------	--------------	---------------

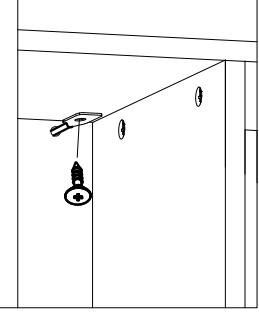
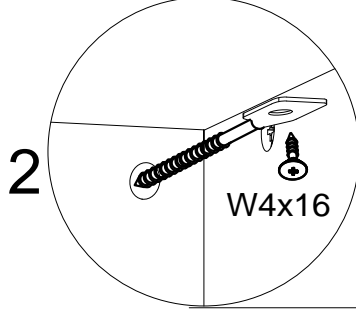
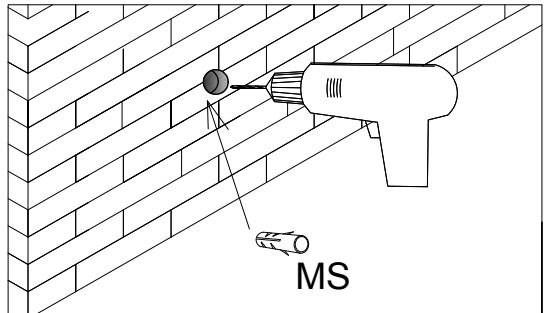
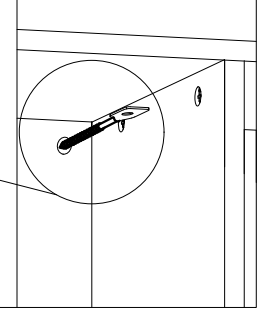
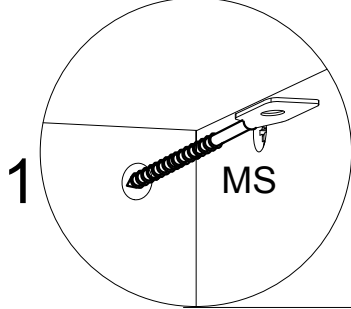
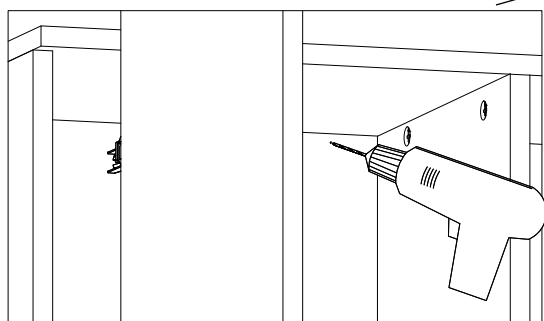
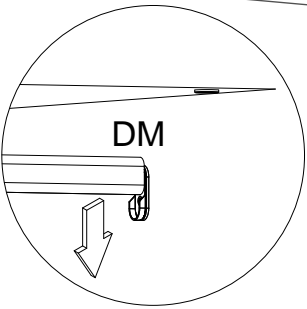
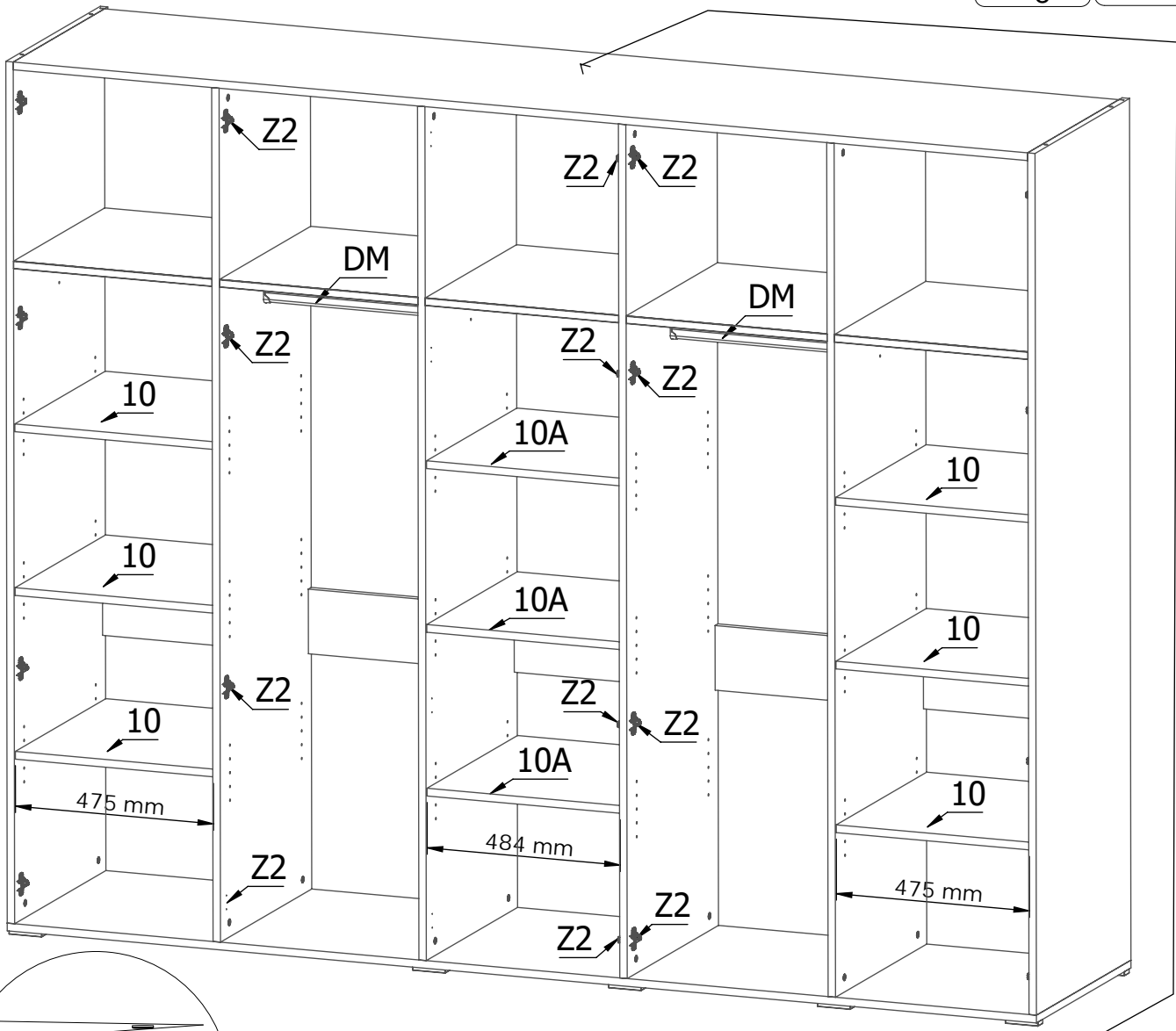


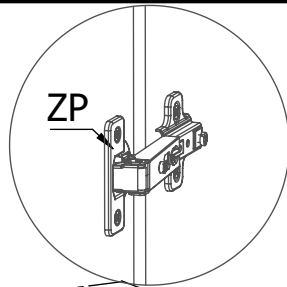


Z2
8

W4x16
1

MS
1





W4x25



10

UM



5+5

