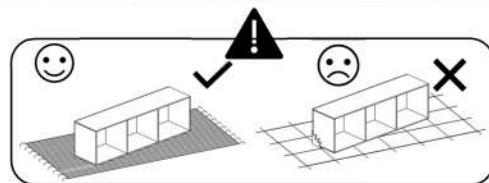
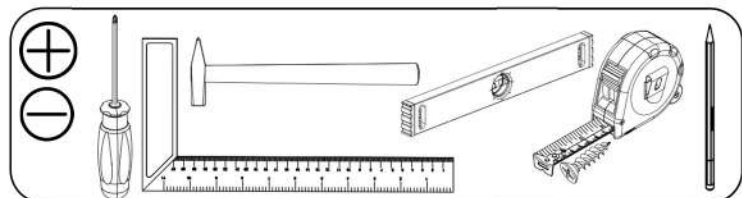
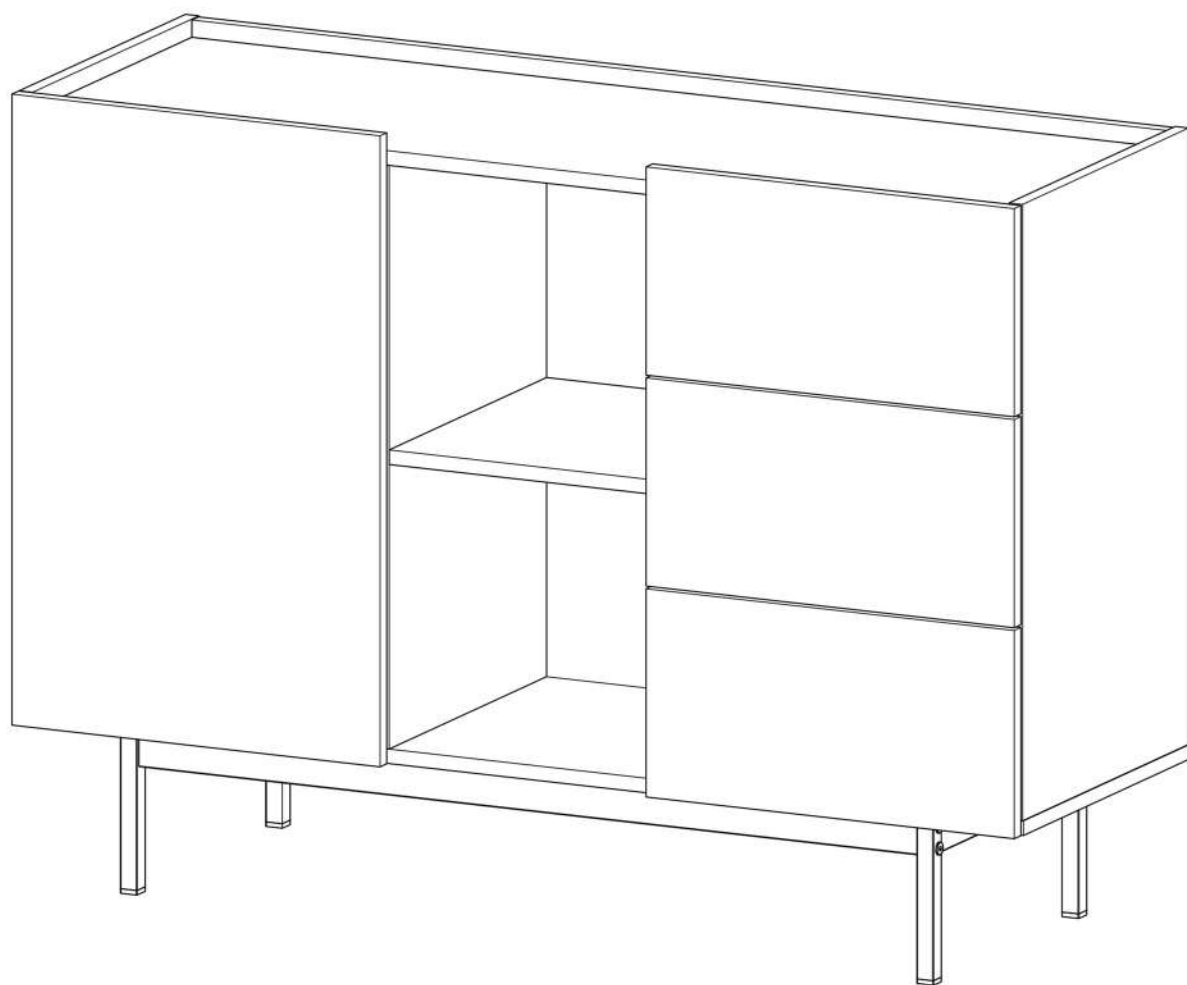
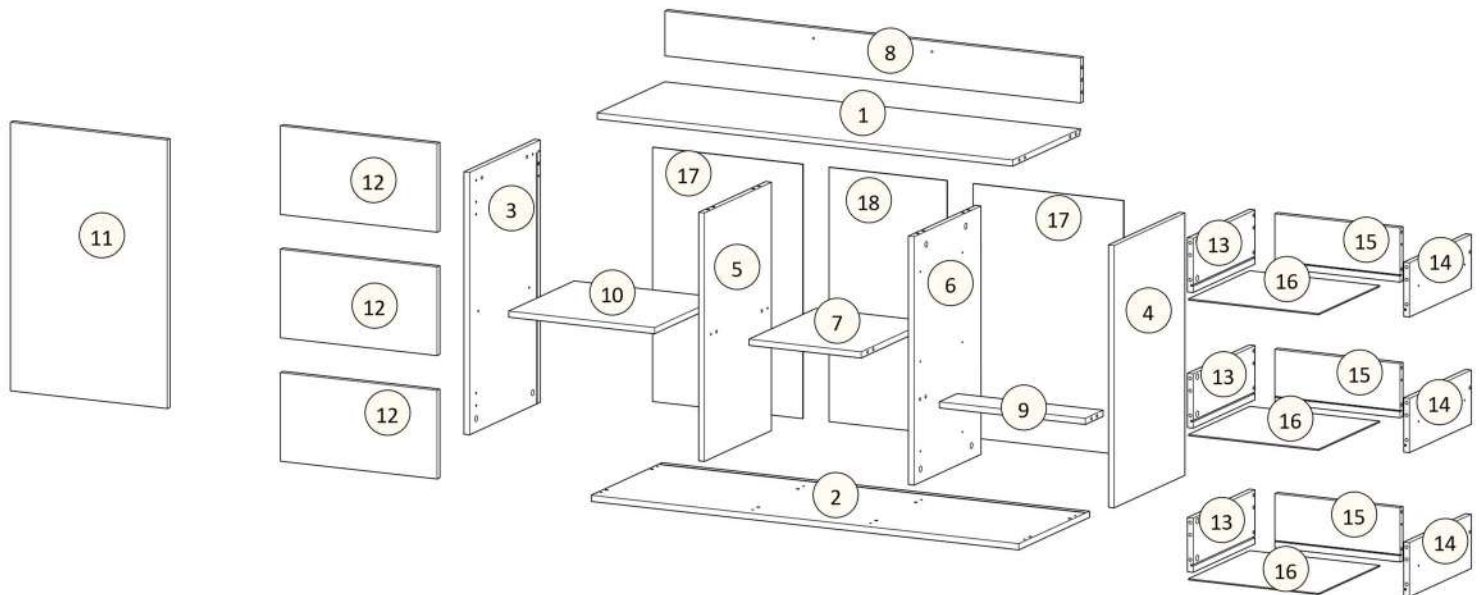


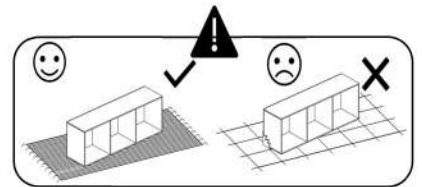
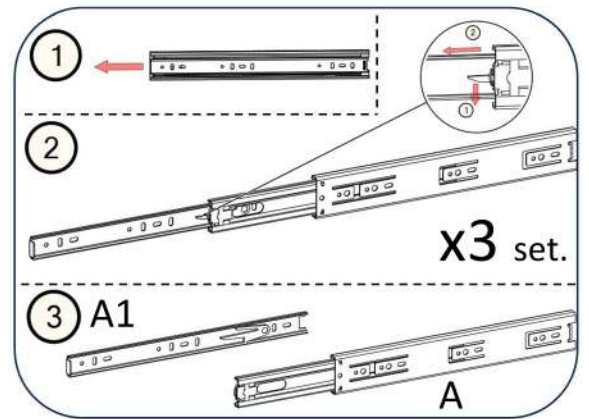
Komoda 1D3S

**NOEL**



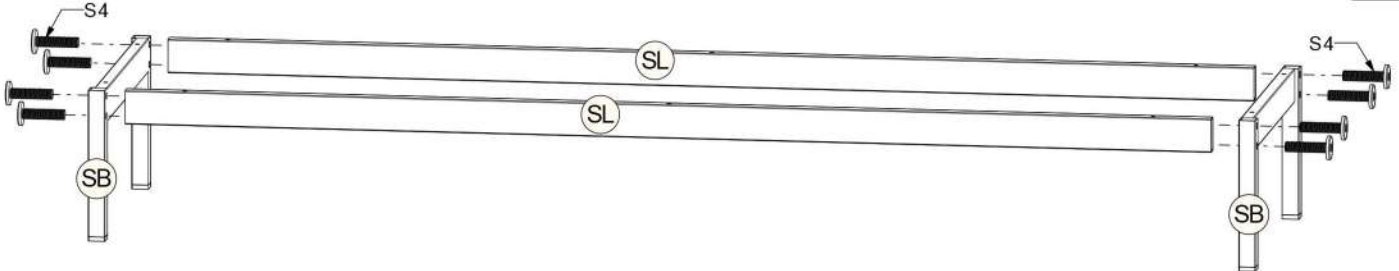
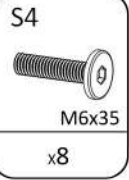


No	T(mm)	L(mm)	W(mm)	pcs.
1	16	1167	383	1
2	16	1201	400	1
3	16	678	400	1
4	16	678	400	1
5	16	642	379	1
6	16	642	379	1
7	16	315	379	1
8	16	1167	116	1
9	16	100	410	1
10	16	410	370	1
11	16	694	440	1
12	16	229	440	3
13	16	350	140	3
14	16	350	140	3
15	16	352	140	3
16	3	365	346	3
17	3	657	422	2
18	3	657	331	1

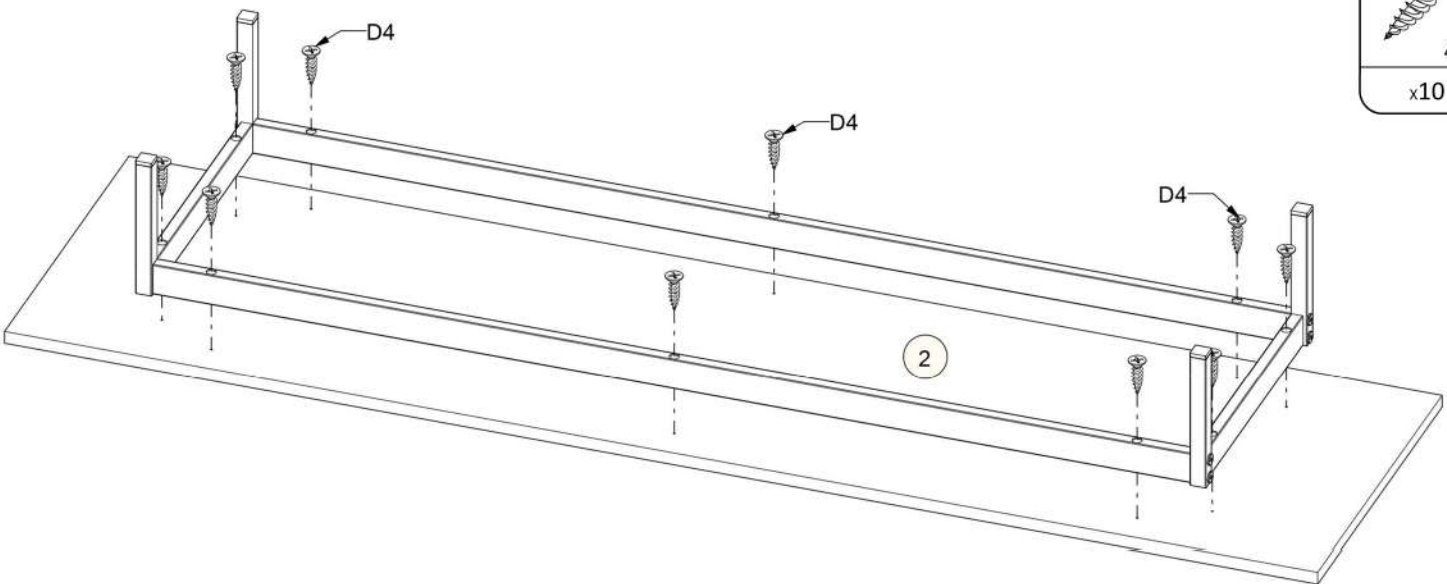
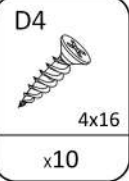


<b>K</b>  8x30 x44	<b>M1</b>  x36	<b>ZM</b>  x36	<b>D8</b>  4x40 x2	<b>Z1</b>  x2	<b>D6</b>  3x16 x10	<b>S4</b>  M6x35 x8	<b>E1</b>  5x13 x24	<b>Z</b>  x2	<b>P</b>  x4
<b>M</b>  x36	<b>F</b>  7x50 x6	<b>D4</b>  4x16 x15	<b>S</b>  x13	<b>T</b>  x3	<b>BL</b>  x10	<b>KL</b>  x1	<b>W</b>  x1		

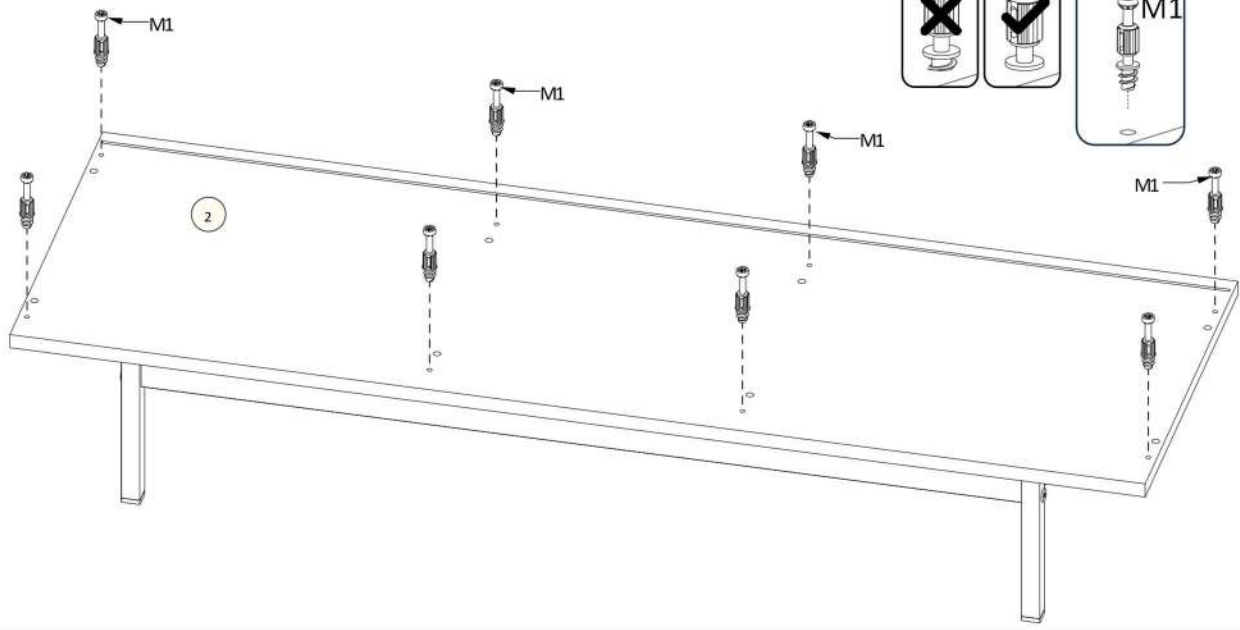
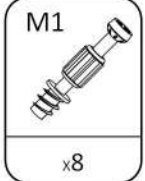
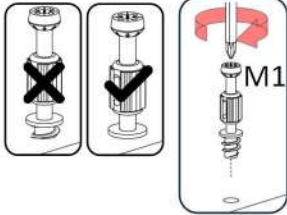
1



2

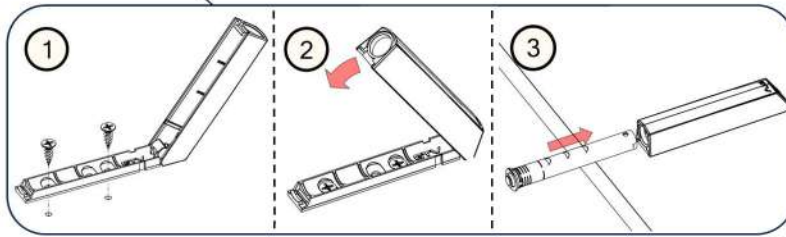
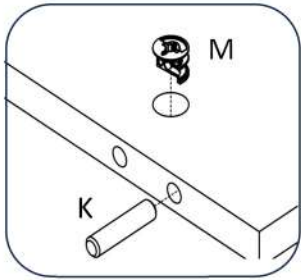
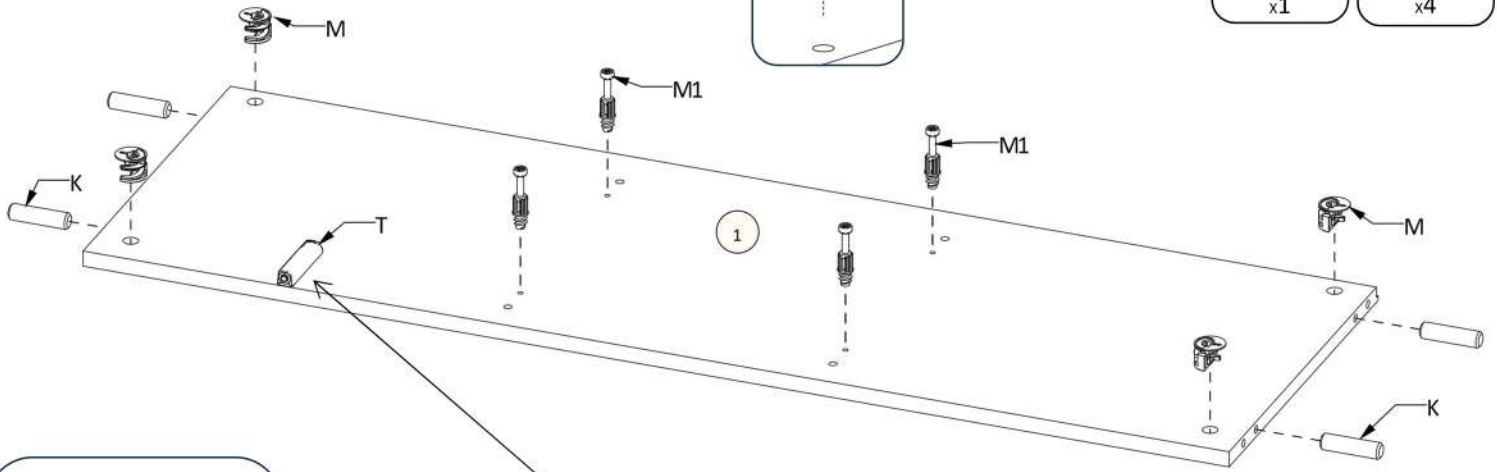
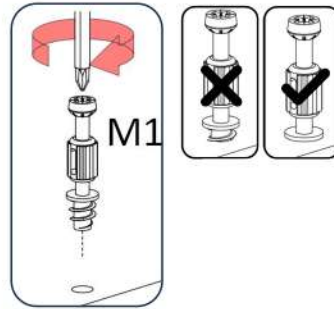


3



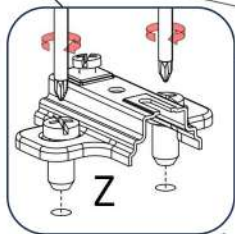
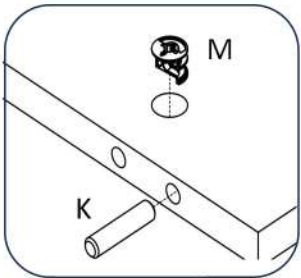
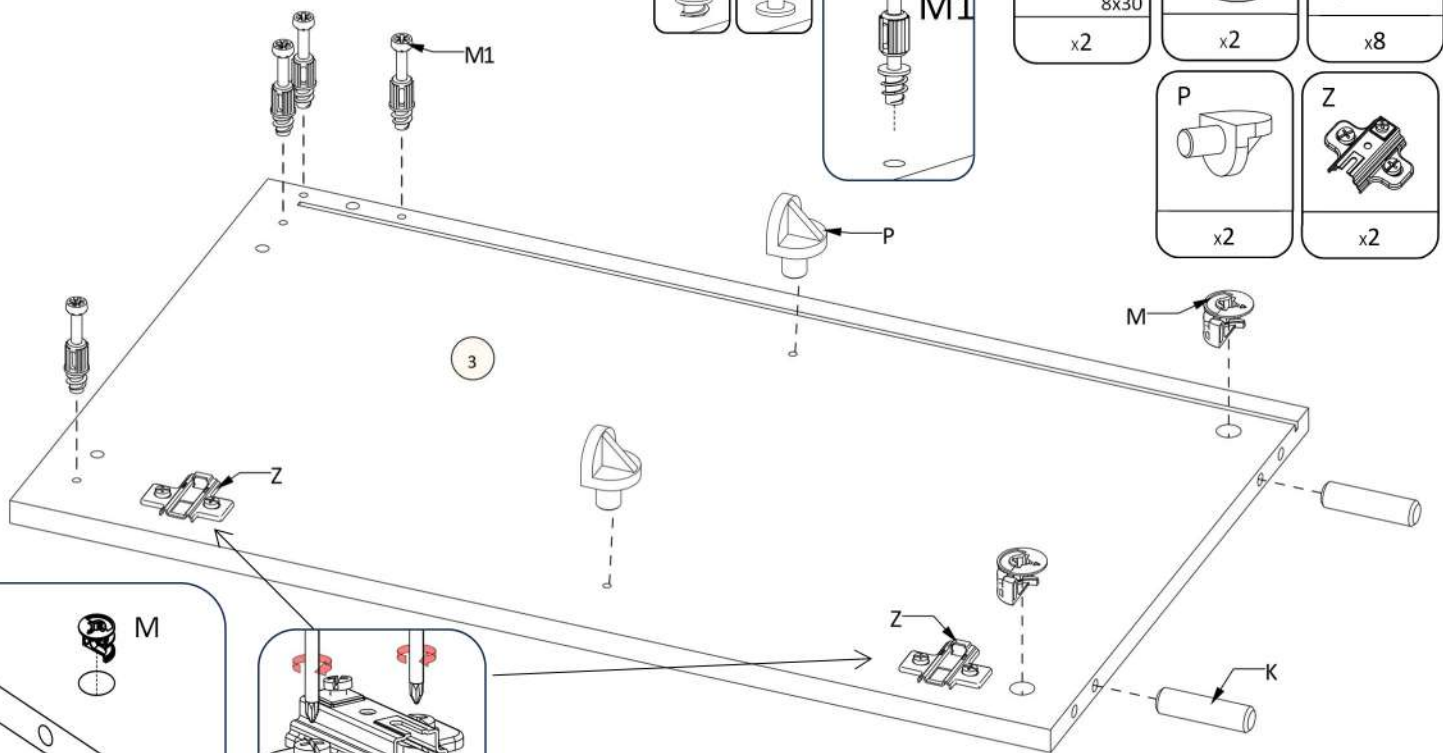
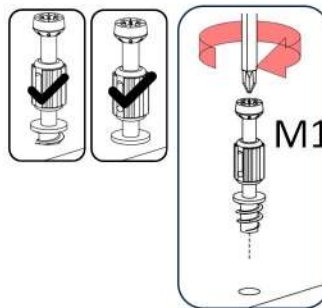
4

K 8x30 x4	M1 x4
T x1	M x4

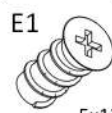





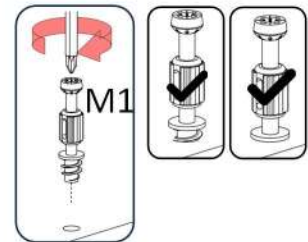
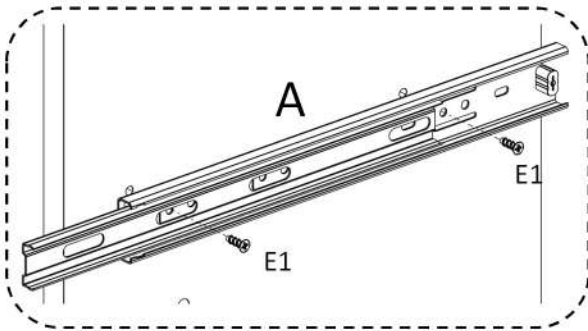
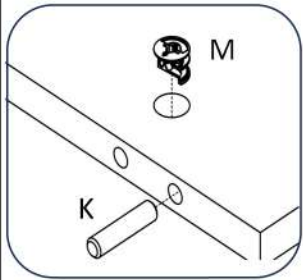
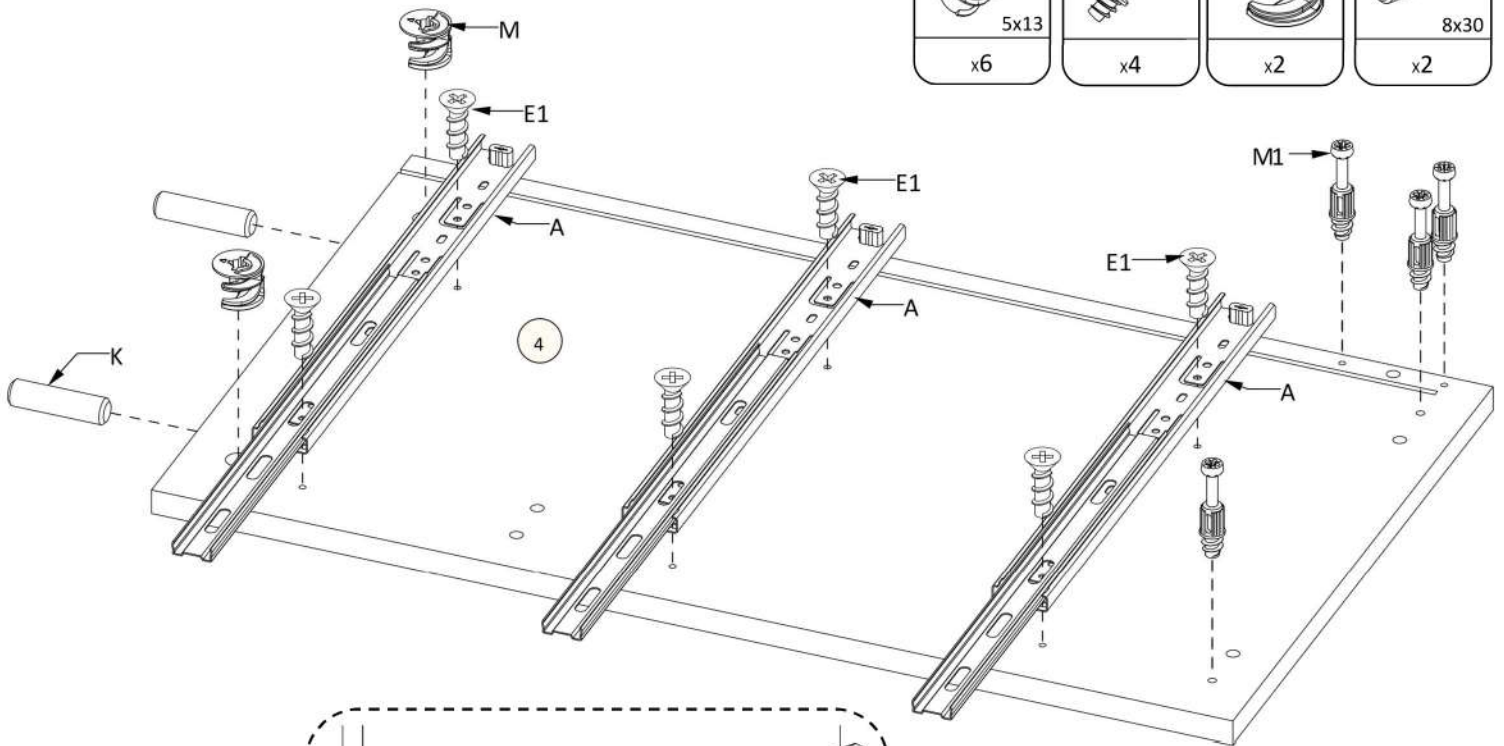
5

K 8x30 x2	M x2	M1 x8
P x2	Z x2	

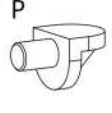

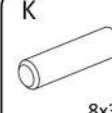


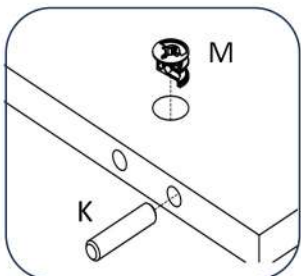
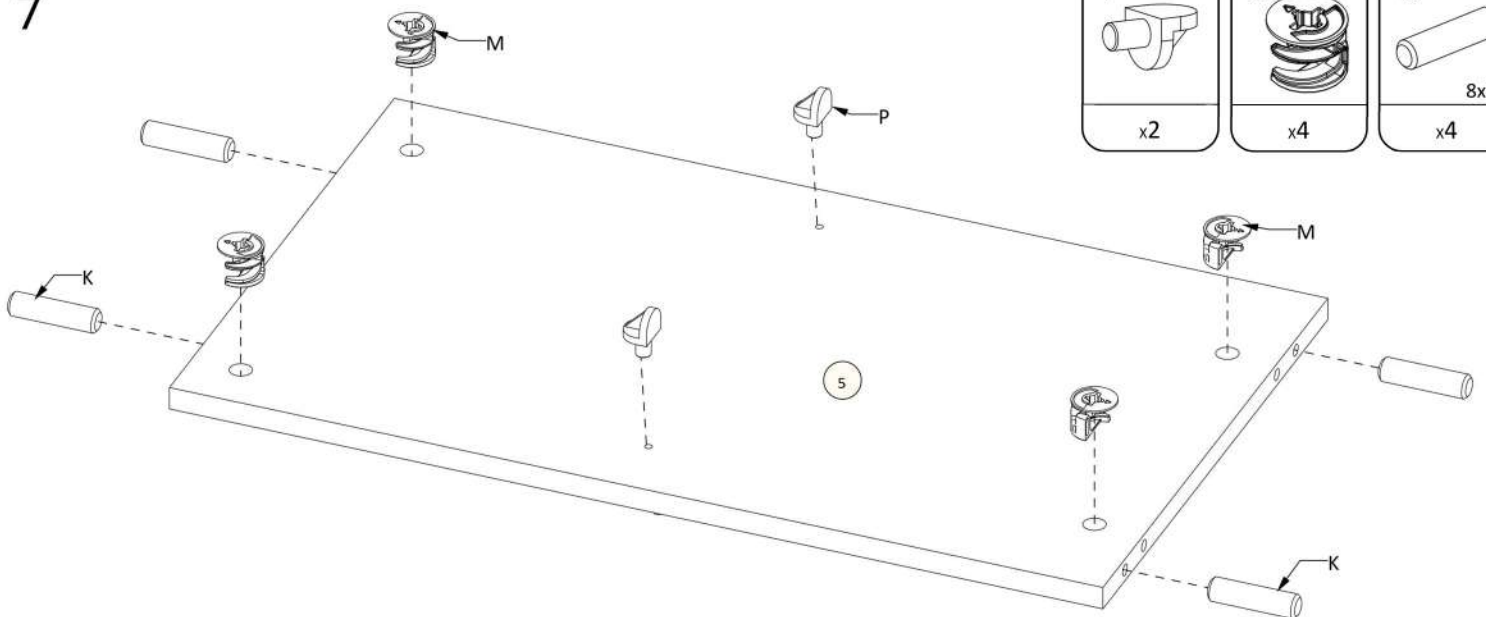
6

 <p>E1 5x13 x6</p>	 <p>M1 x4</p>	 <p>M x2</p>	 <p>K 8x30 x2</p>
---	---	--	--

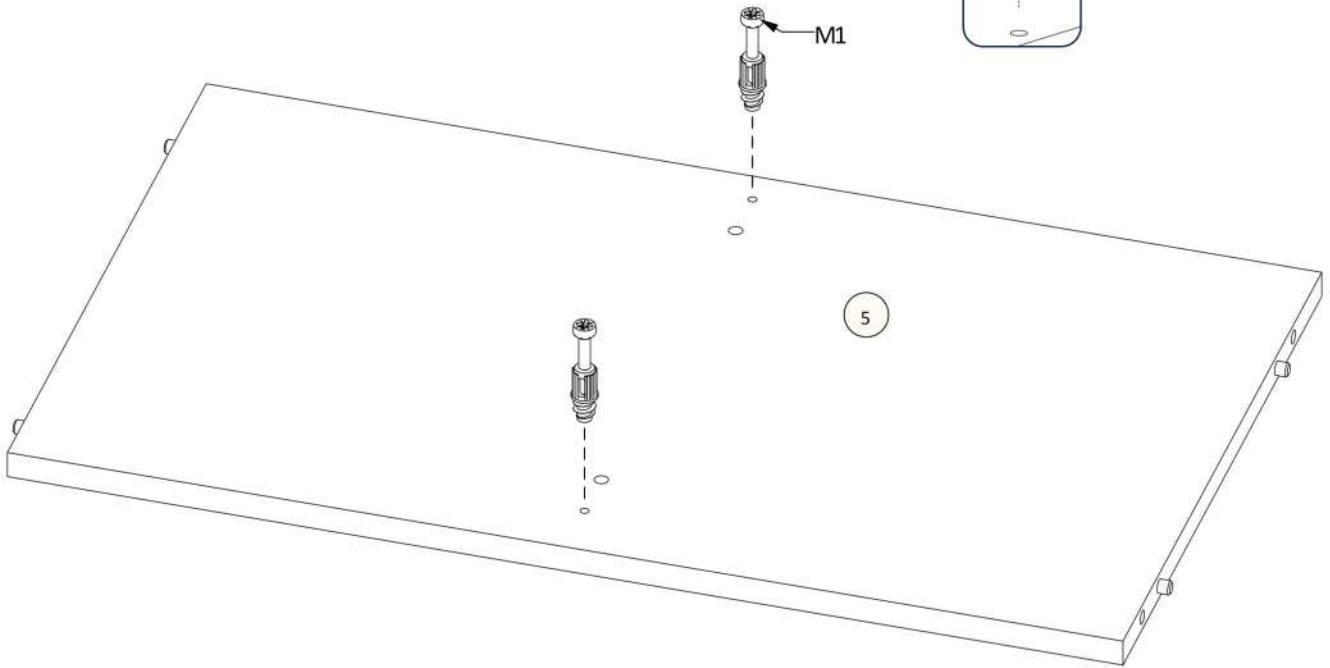
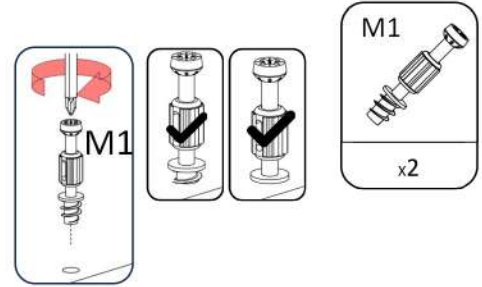


7

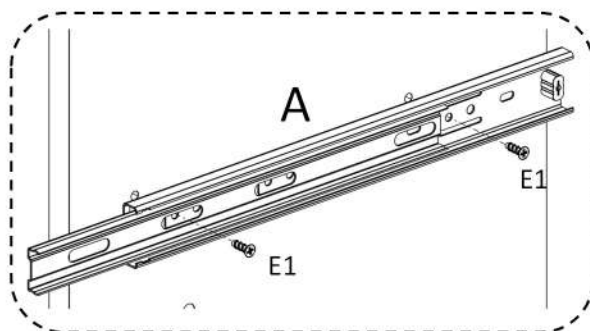
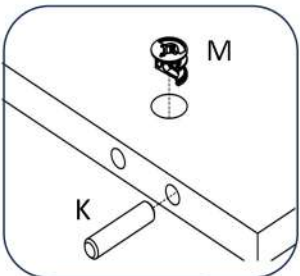
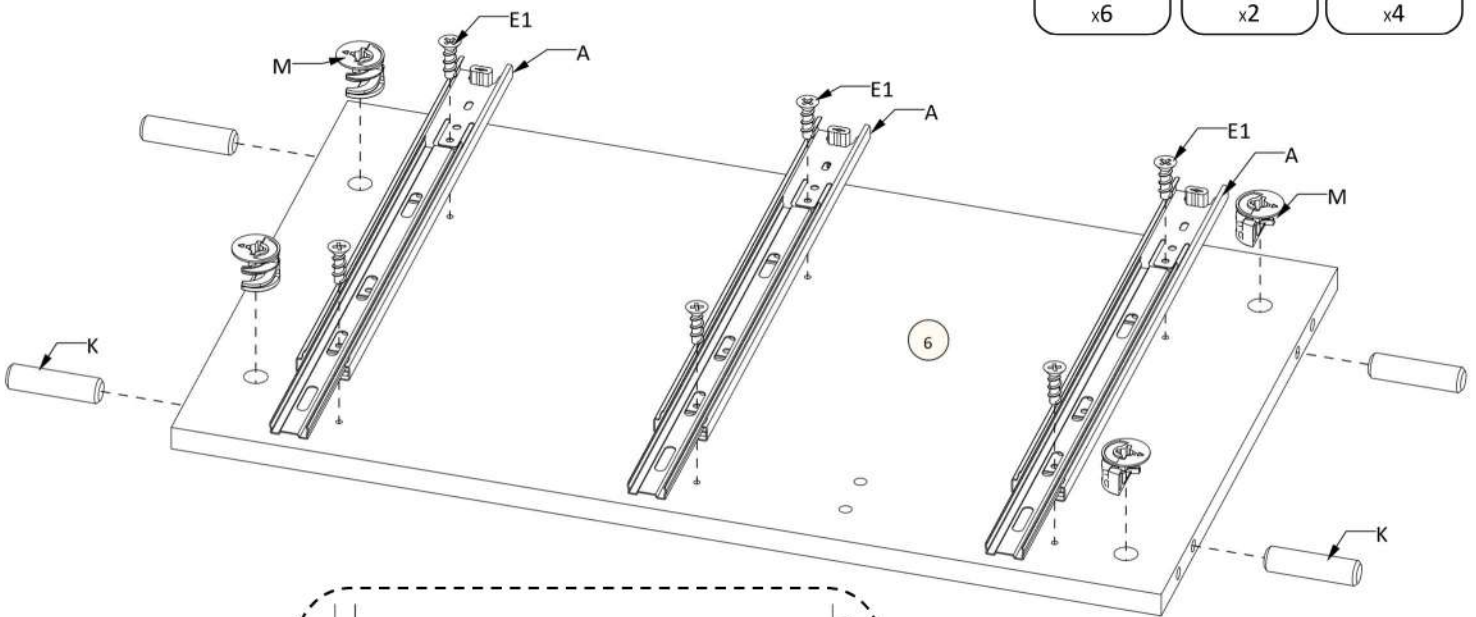
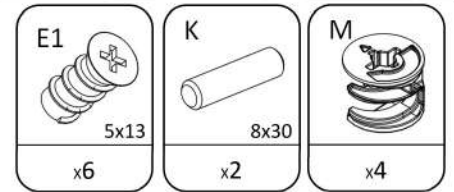
 <p>P x2</p>	 <p>M x4</p>	 <p>K 8x30 x4</p>
---	---	--



8

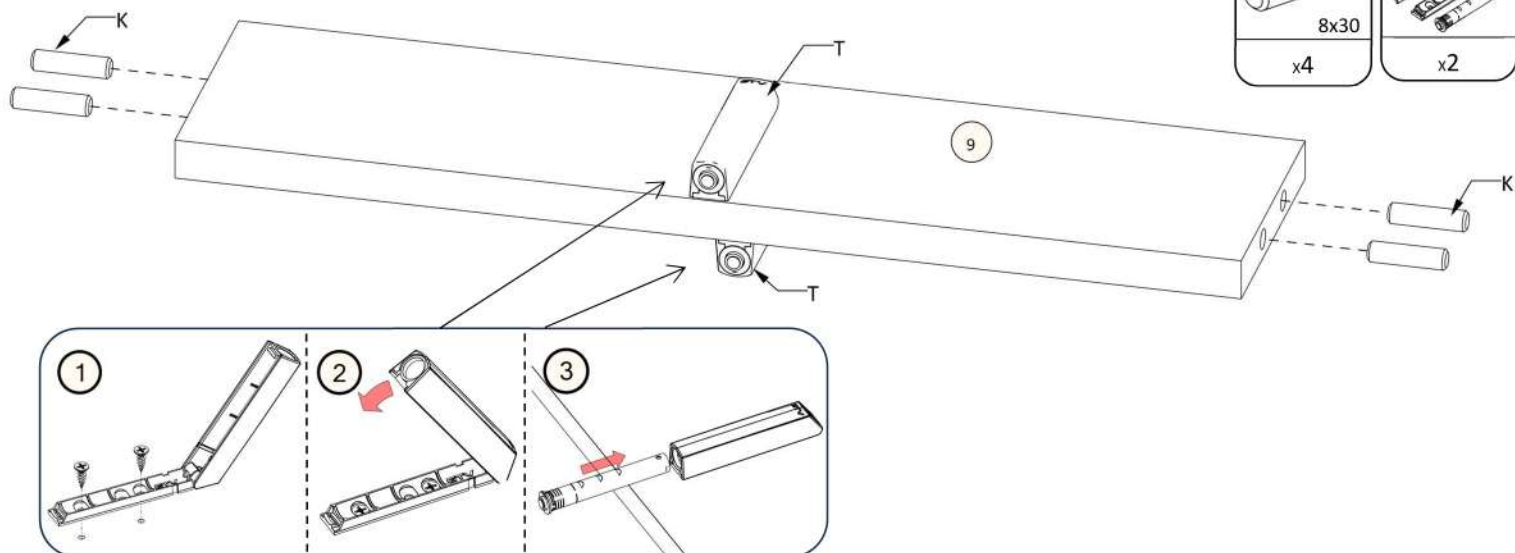
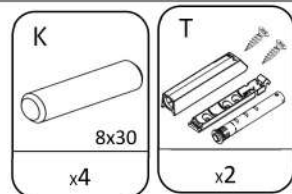


9

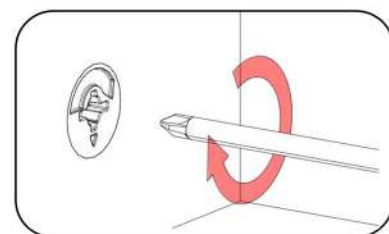
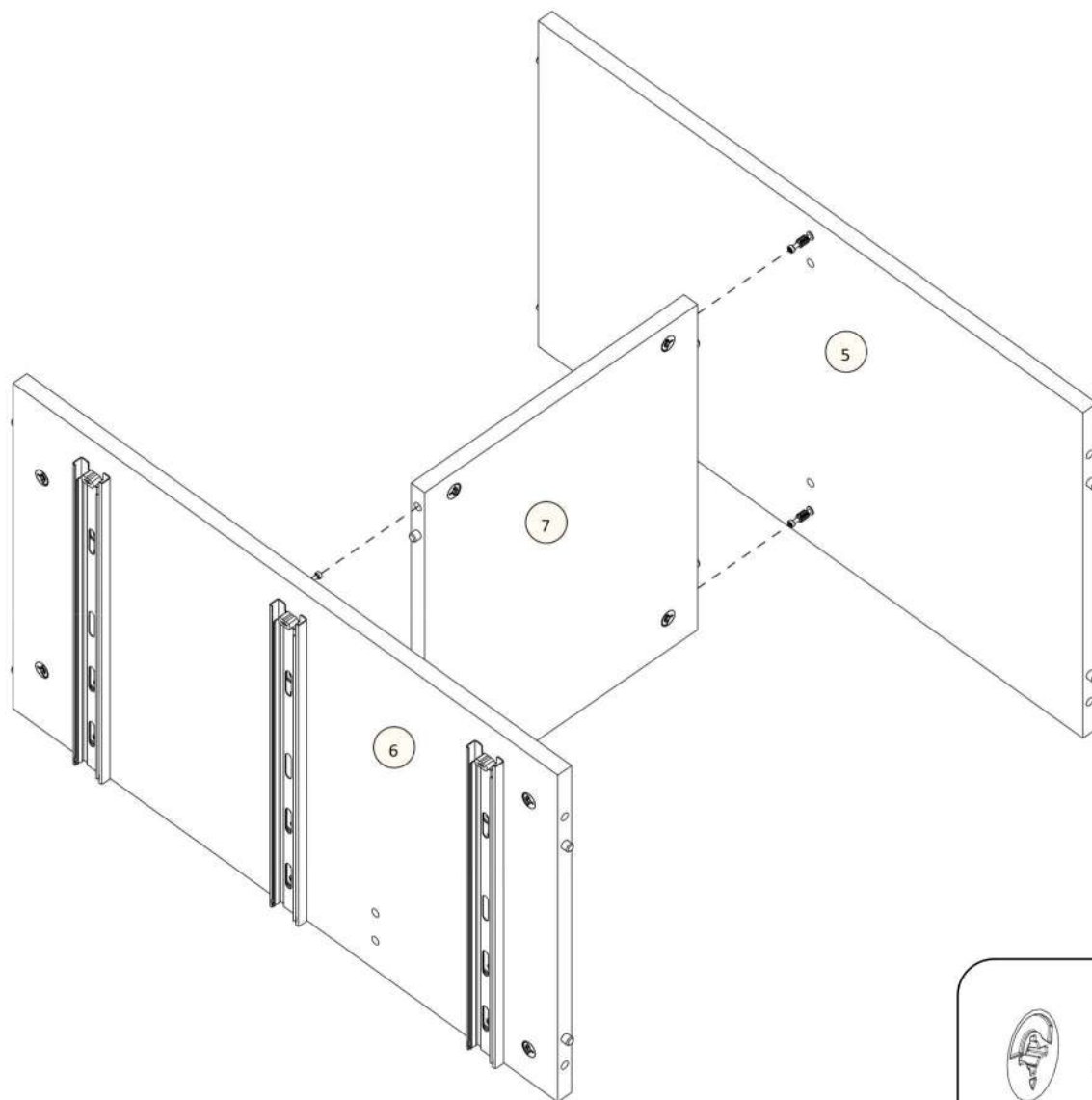




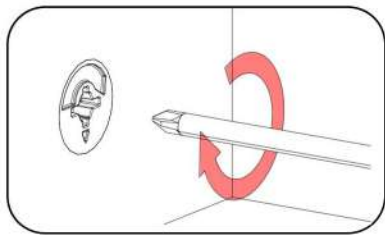
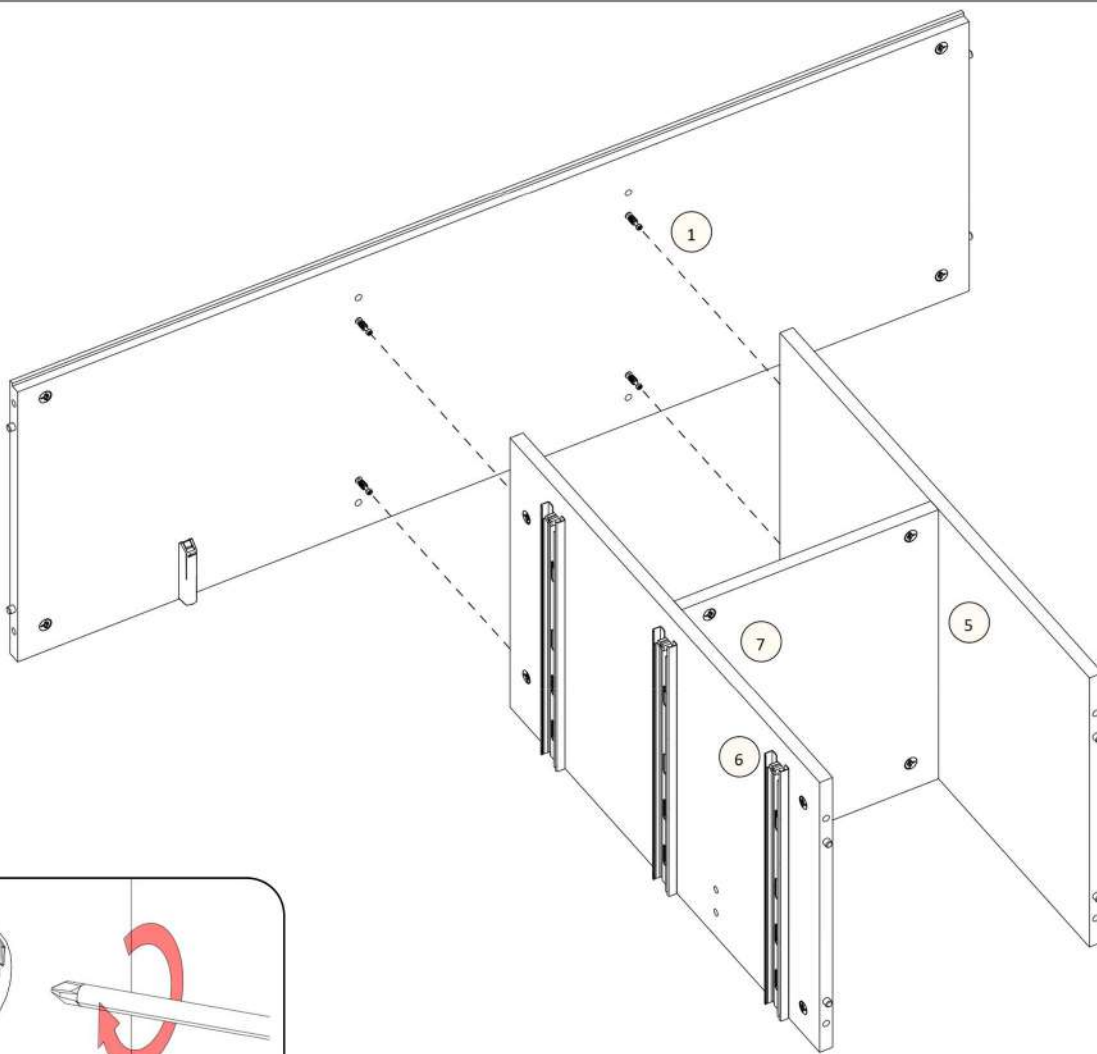
12



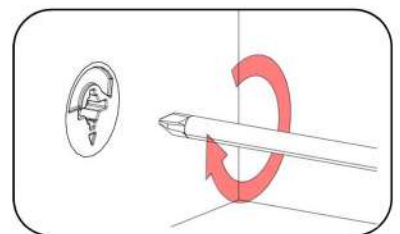
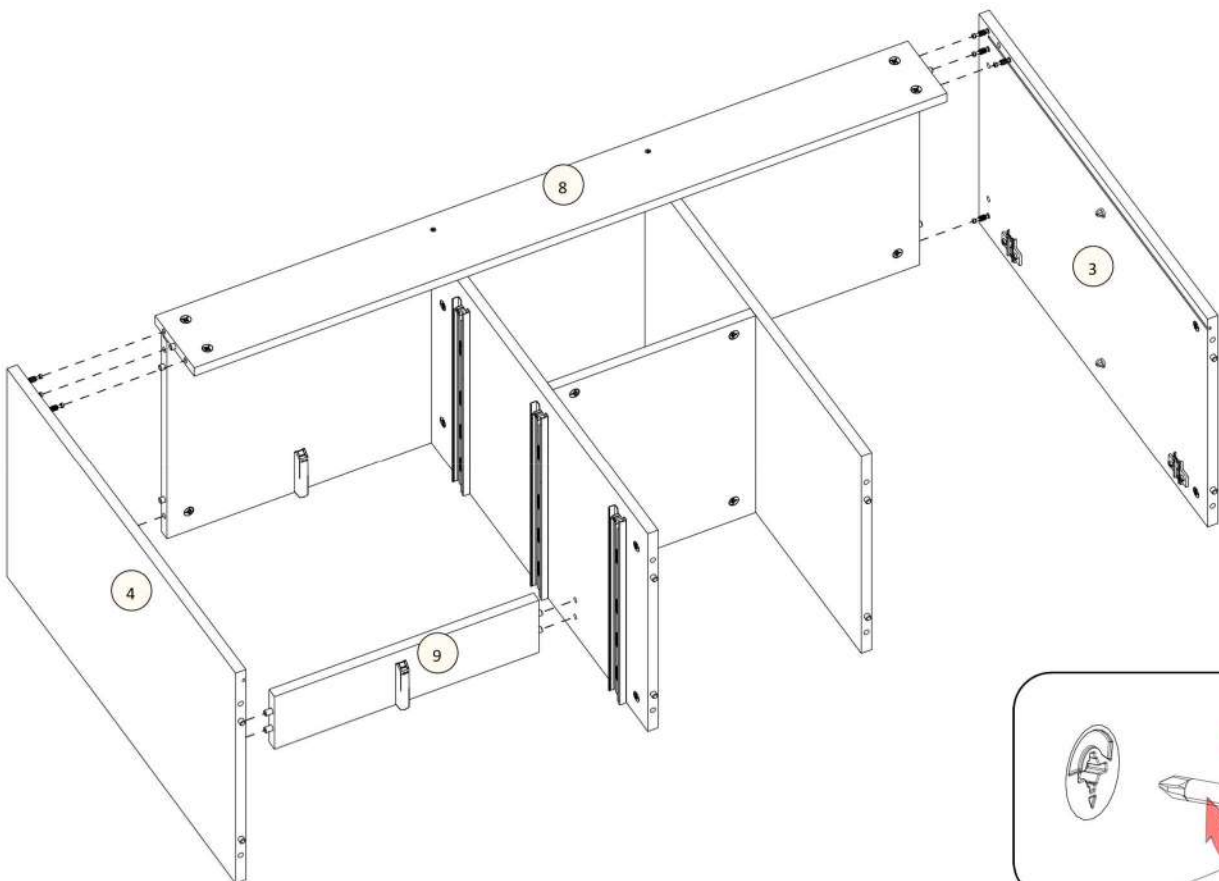
13



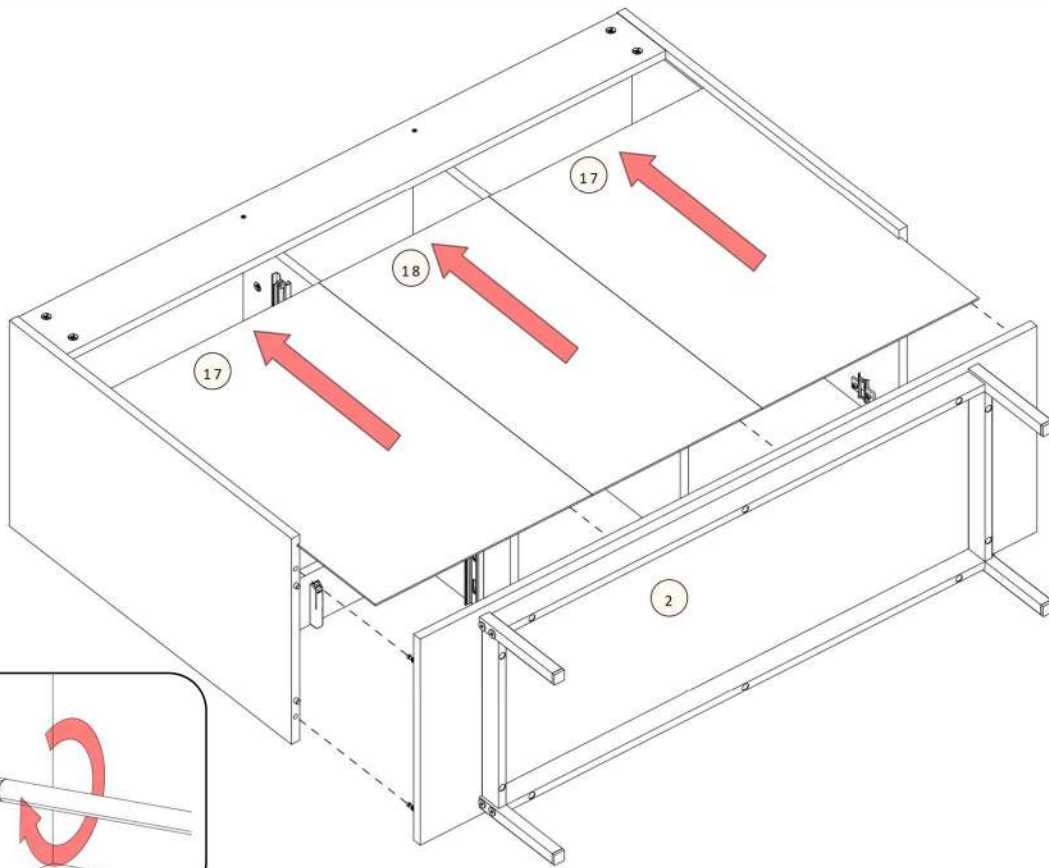
14



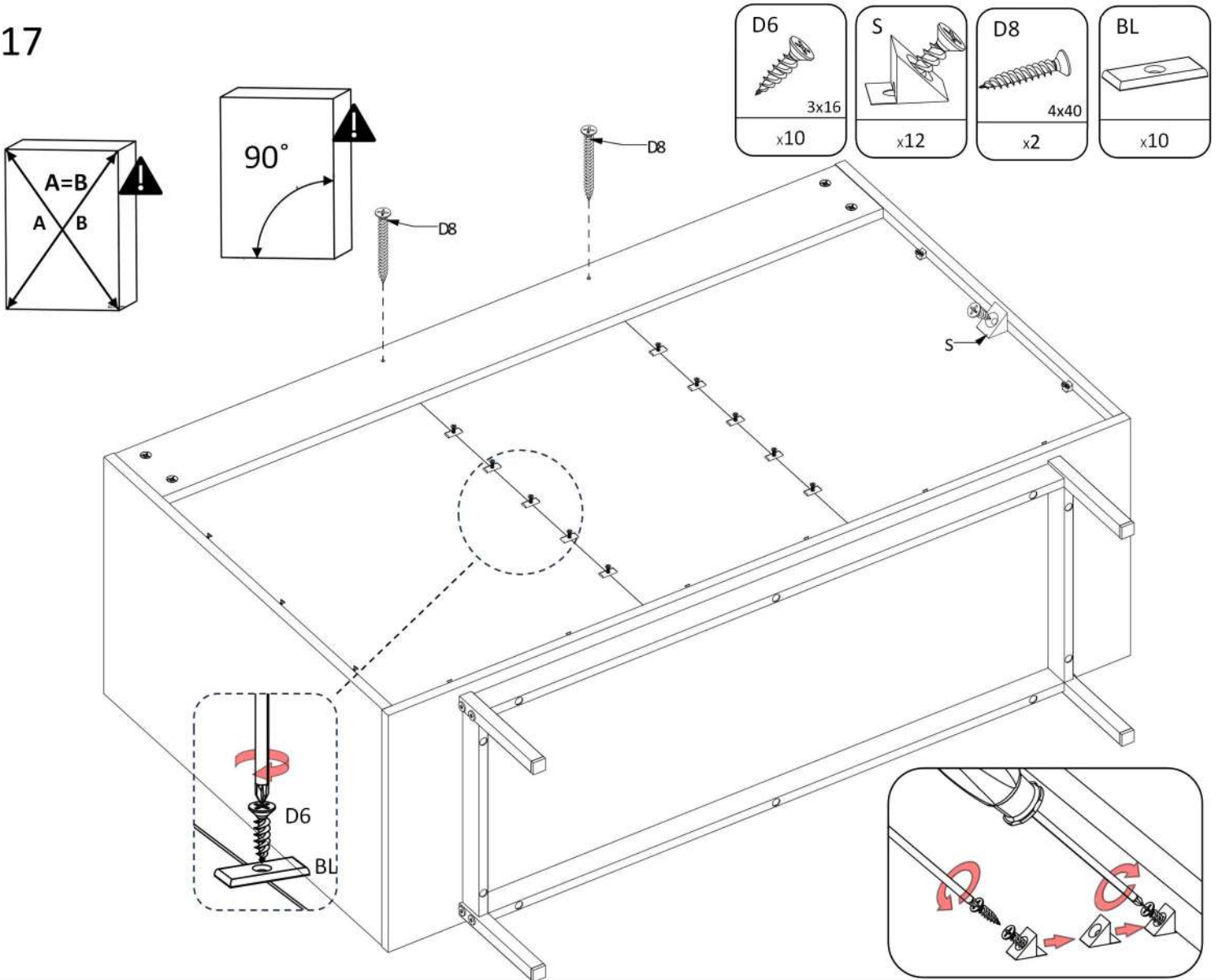
15



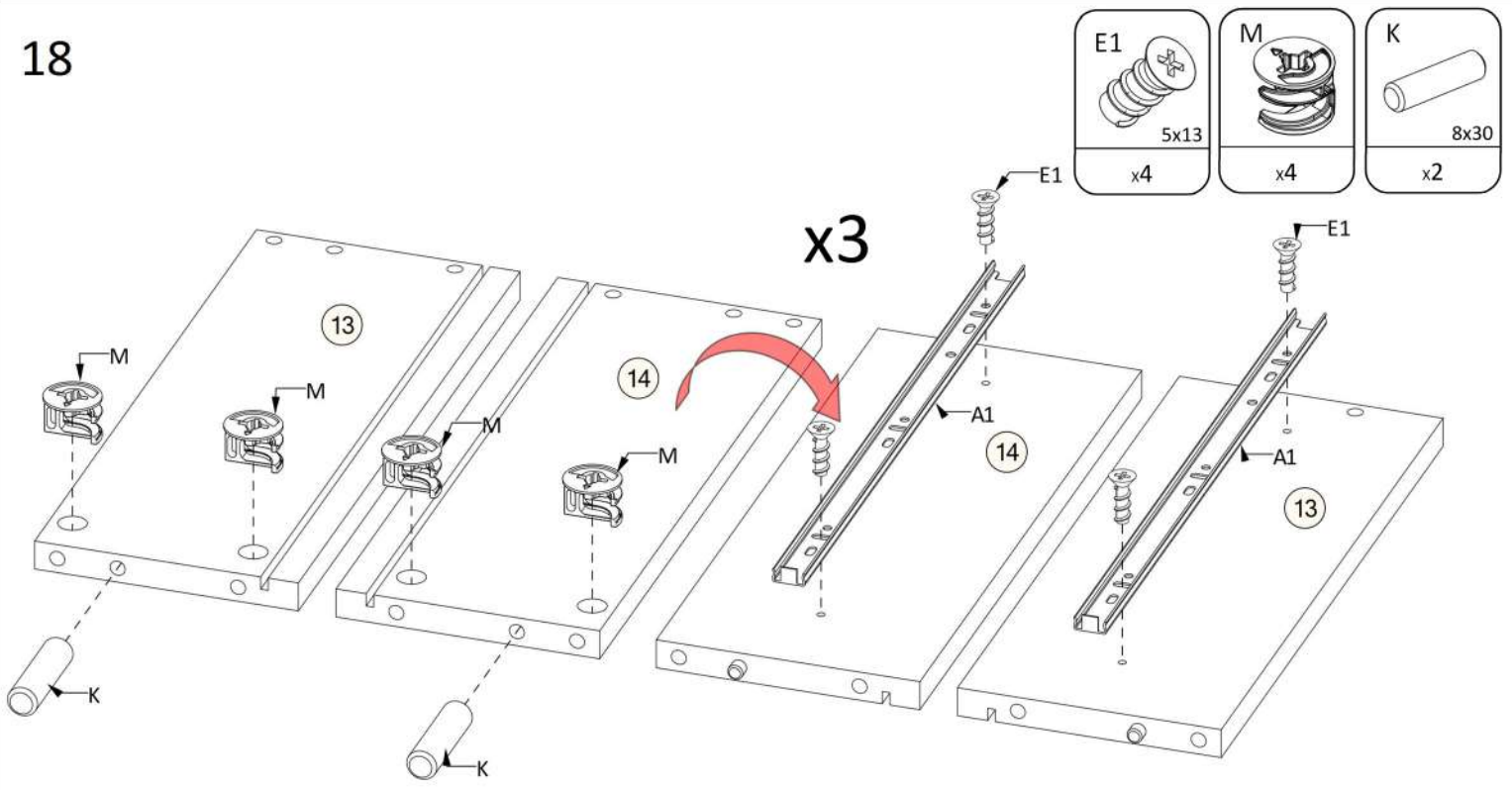
16



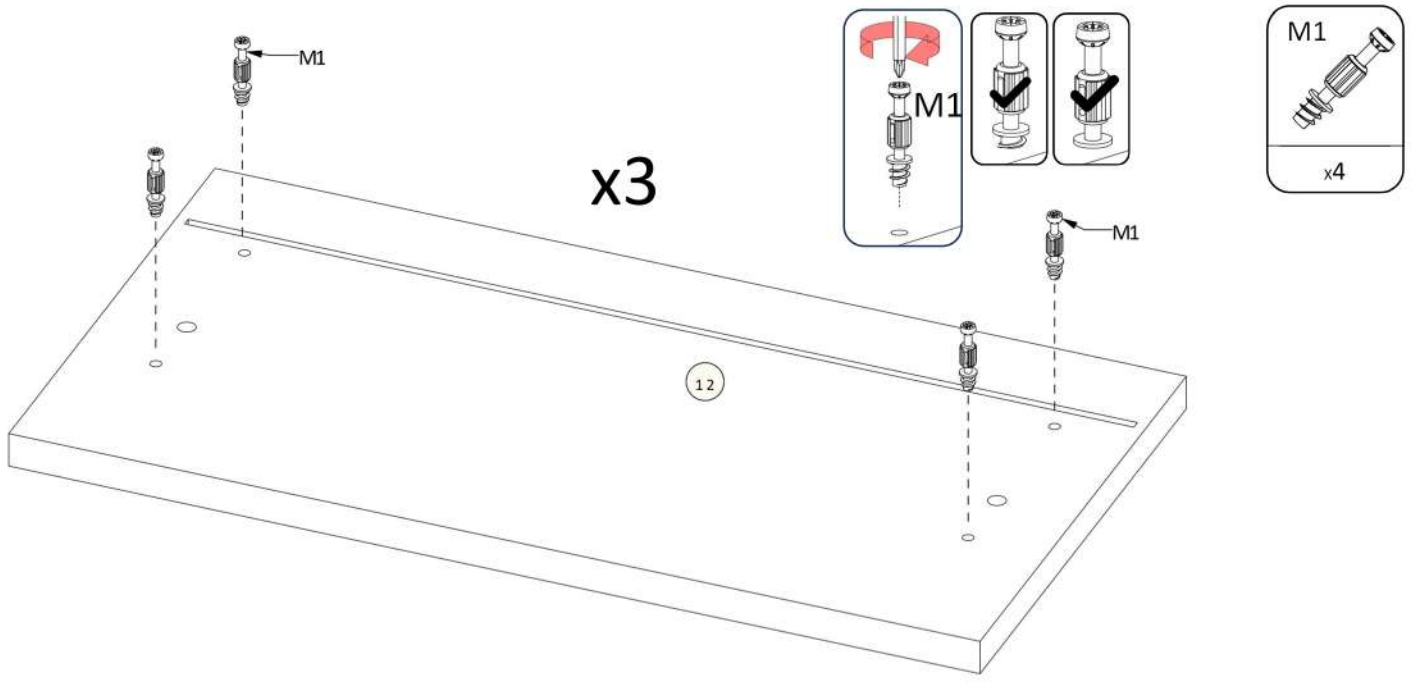
17



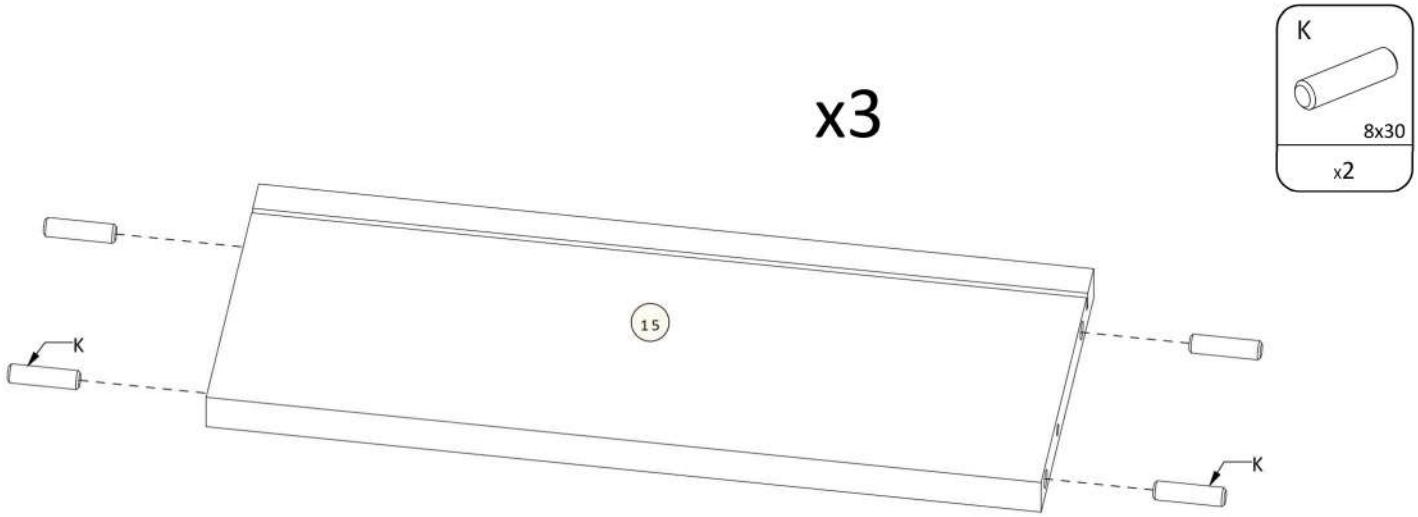
18



19

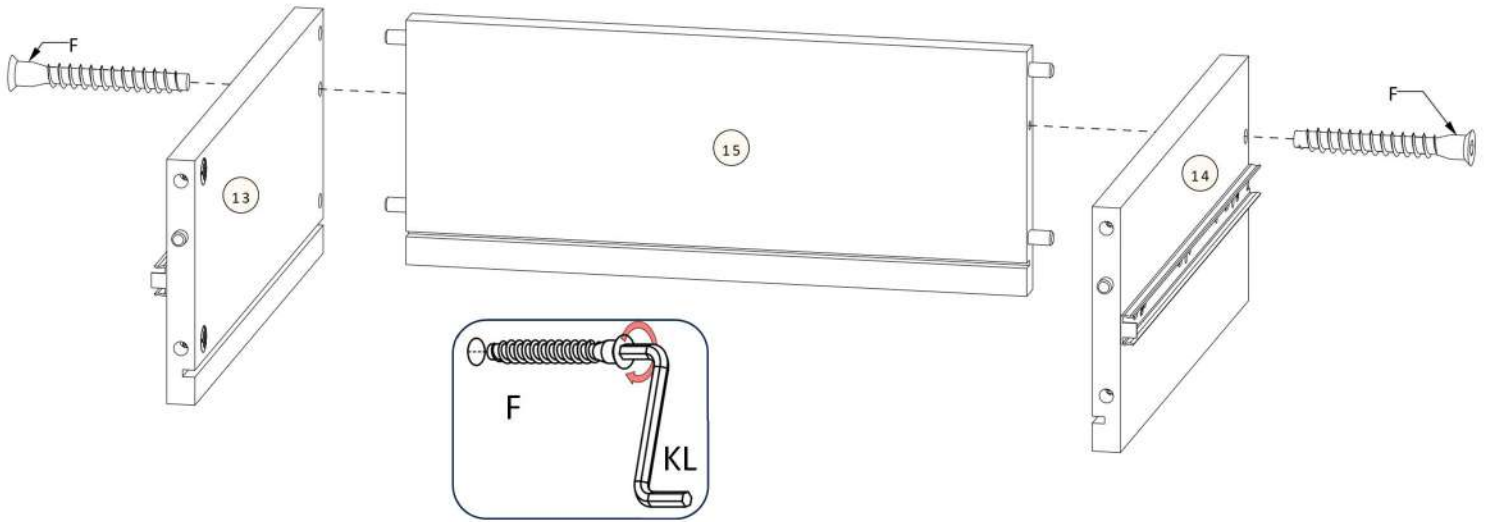
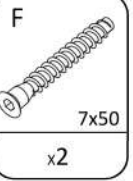


20



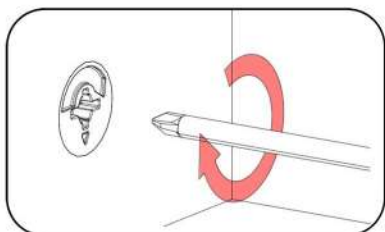
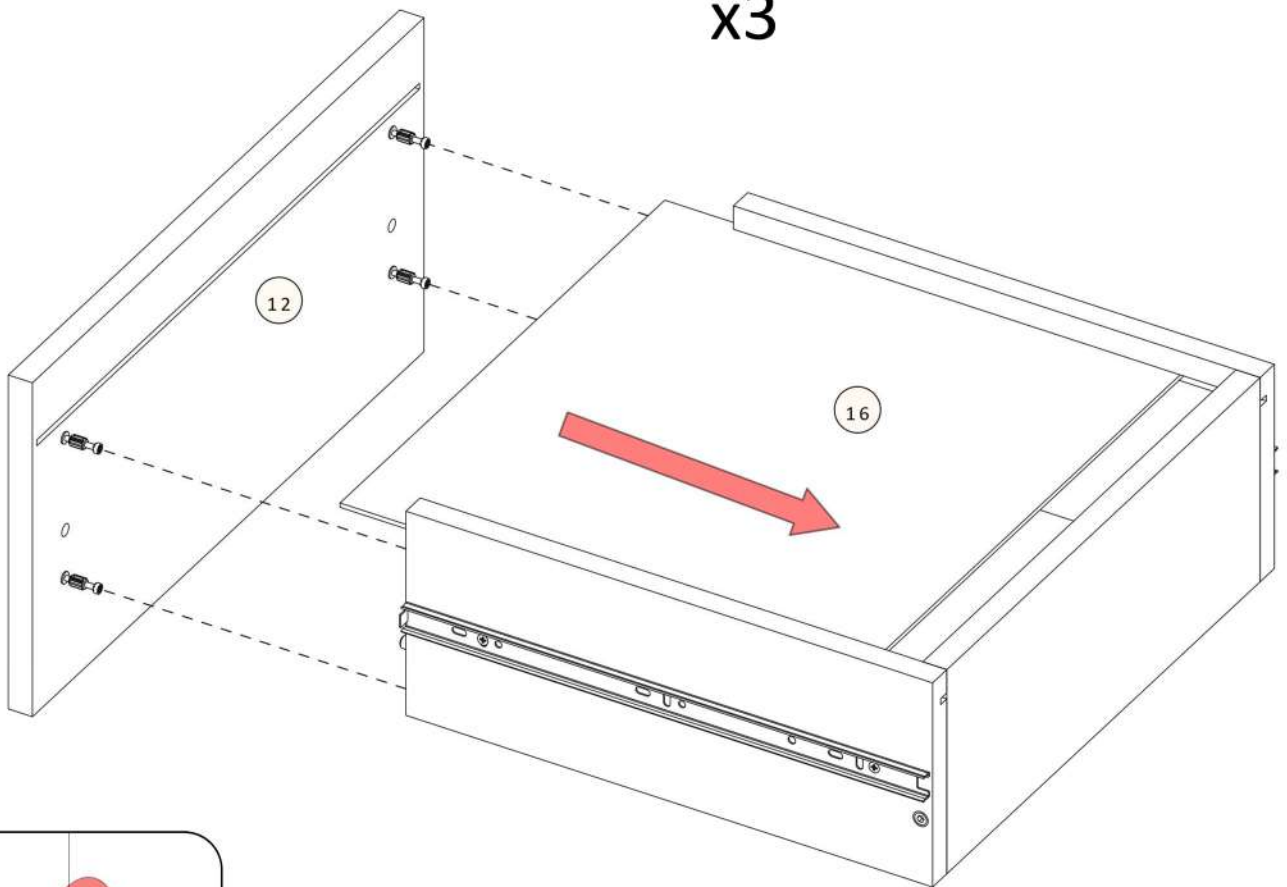
21

x3

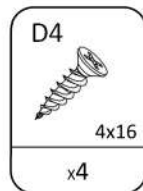
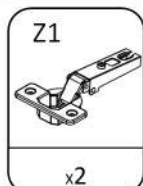
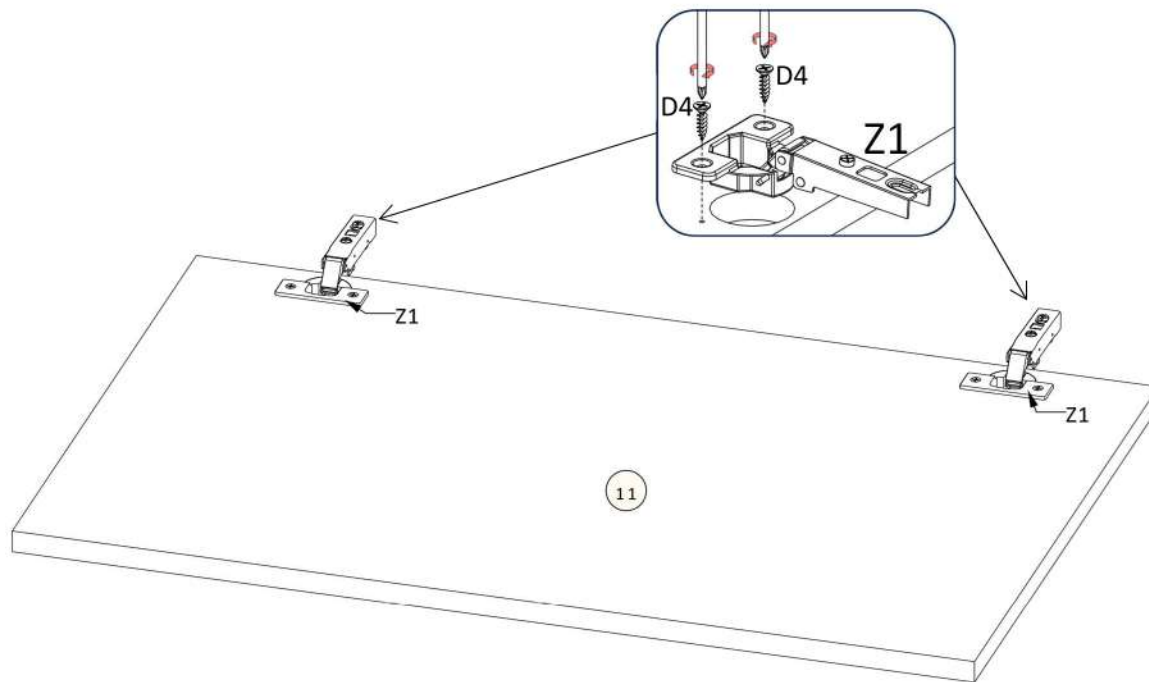


22

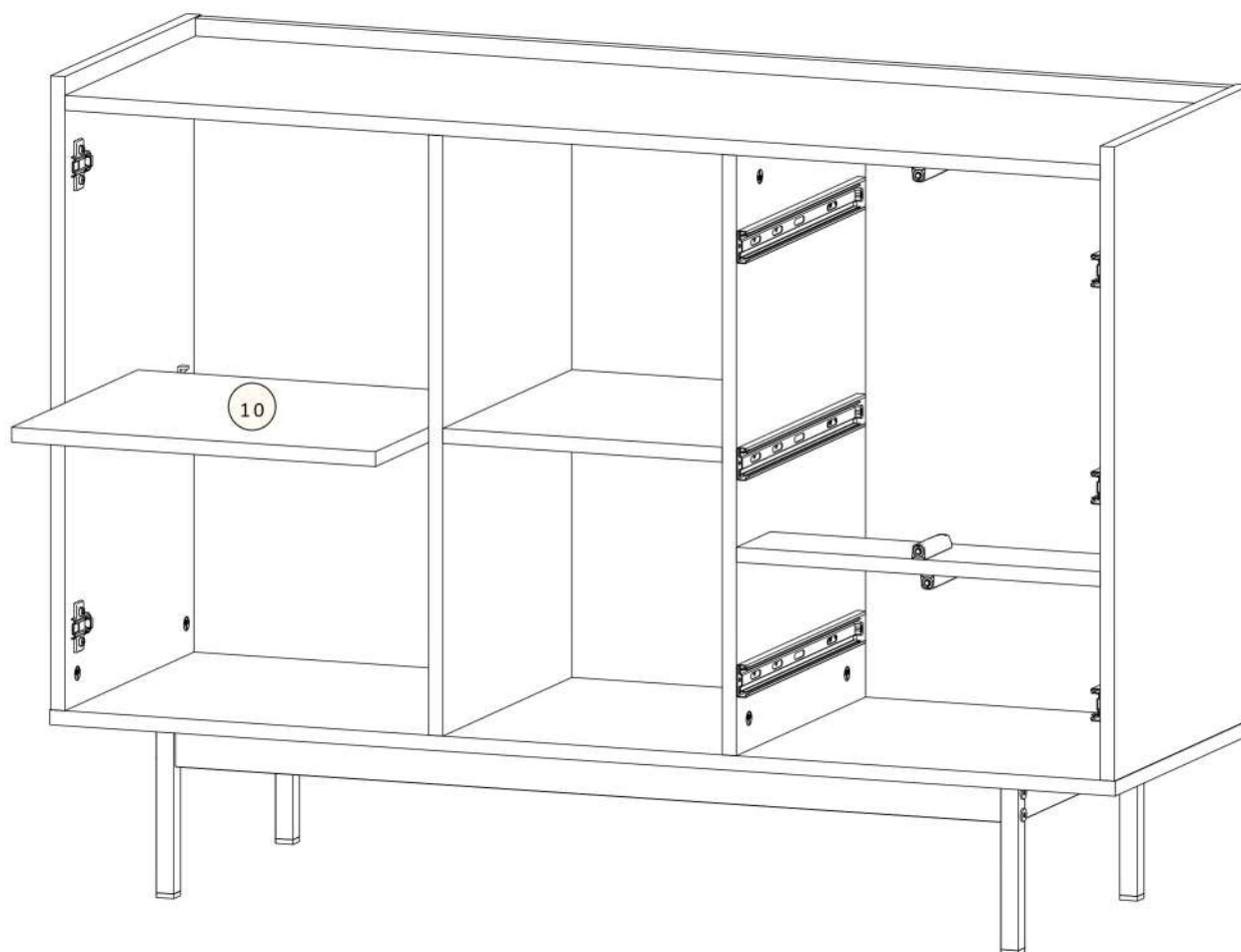
x3





23



24



W	D4
	
x1	x1

