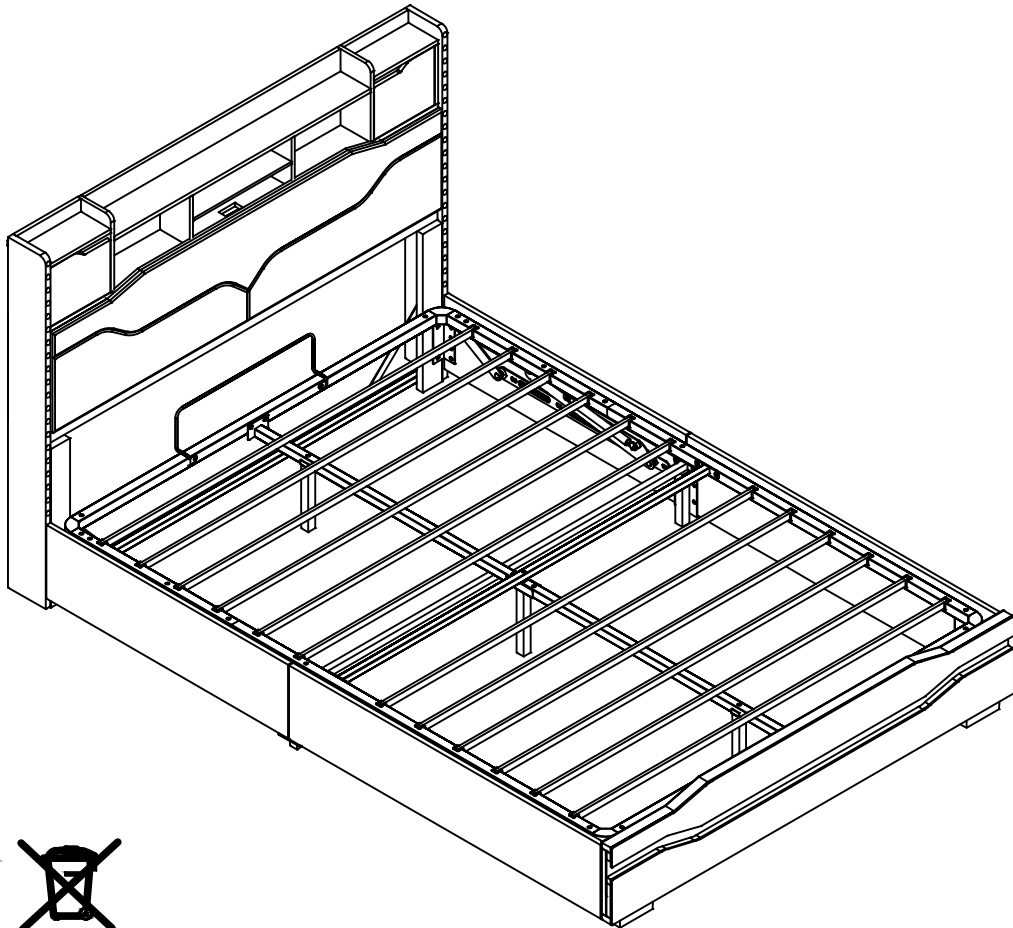


Installationsanleitung Installation Instruction Instruction d'installation

N636P283690/N636P283691/N636P283692



DE DE: Unser Produkt wird Ihnen in (3) Paketen geliefert. Die Lieferzeiten dieser (3) Pakete können abweichen, bitte haben Sie etwas Geduld und vielen Dank für Ihr Verständnis.

UK UK: Our product will be delivered to you in (3) packages. The delivery times of these (3) packages may differ, please be patient and thank you for your understanding.

FR FR: Notre produit vous sera livré en (3) colis. Les délais de livraison de ces (3) colis peuvent différer, soyez patient et merci pour votre compréhension.

DE Vor der Montage die Schrauben in die Löcher stecken und festziehen, aber nicht bis 100%. 70% bis 80% ist ausreichend. Schließlich, nachdem alle Schrauben installiert sind, ziehen Sie sie auf 100%.

Wenn Sie auf diese Probleme stoßen, wie z. B. Fehlausrichtung der Löcher oder Unfähigkeit, bestimmte Teile zu installieren, überprüfen Sie bitte, ob die Schrauben korrekt verwendet werden und passen Sie die Dichtigkeit der Schrauben an.

UK Before installation, insert the screws into the holes and tighten them, but do not tighten them to 100%. 70% to 80% is sufficient. Finally, after all screws are installed, tighten them to 100%.

If you encounter these issues, such as misalignment of holes or inability to install certain parts, please check if the screws are used correctly and adjust the tightness of the screws.

FR insérez la vis dans le trou avant la fin de l'assemblage, serrez la vis, mais ne la serrez pas à 100%, 70% ~ 80% est correct. Enfin, après que toutes les vis soient bien serrées, serrez toutes les vis à 100%.

Si vous rencontrez ces problèmes, par exemple si les trous ne sont pas alignés ou si certaines pièces ne peuvent pas être montées, vérifiez que les vis sont utilisées correctement et Ajustez leur serrage.

English

IMPORTANT FOR GAS LIFT BEDS&MAINTAINANCE

- Please place the mattress on top of the bed frame.
- Please do not pull on the strap handles.
- Please press heavily to release the compressed gas.
- Periodically check all screw & fixings to ensure they are secure.
- When moving your product, carefully lift into place.
- Wipe clean with a slightly damp cloth- please do not use abrasive chemicals or bleach.
- Do NOT allow children to operate the lift mechanism.
- Do NOT allow children near the lift base when operating the mechanism.
- Do NOT stand inside the bed or the internal storage base.
- Do NOT overload the internal storage base.
- DO NOT jump on the product or any of its parts.

Deutsch

WICHTIG FÜR GASLIFT-BETTEN&WARTUNG

- Bitte legen Sie die Matratze oben auf den Bettrahmen.
- Bitte ziehen Sie nicht an den Gurtgriffen.
- Bitte drücken Sie kräftig, um das komprimierte Gas freizusetzen.
- Überprüfen Sie regelmäßig alle Schrauben und Befestigungen, um sicherzustellen, dass sie sicher sind.
- Wenn Sie Ihr Produkt bewegen, heben Sie es vorsichtig an seinen Platz.
- Mit einem leicht feuchten Tuch abwischen - bitte keine scheuernden Chemikalien oder Bleichmittel verwenden.
- Erlauben Sie Kindern NICHT, den Hebemechanismus zu bedienen.
- Lassen Sie Kinder NICHT in die Nähe des Liftsockels, wenn Sie den Mechanismus bedienen.
- Stellen Sie sich NICHT in das Bett oder in die Innenablage.
- Überlasten Sie den internen Liftsockel NICHT.
- Springen Sie NICHT auf das Produkt oder eines seiner Teile.

Français

IMPORTANT POUR LES LITS À RELEVAGE DE GAZ&MAINTENANCE

- Veuillez placer le matelas sur le dessus du cadre de lit.
- Ne tirez pas sur les poignées de la sangle.
- Appuyez fortement pour libérer le gaz comprimé.
- Vérifiez régulièrement que toutes les vis et fixations sont bien en place.
- Lorsque vous déplacez votre produit, soulevez-le avec précaution pour le mettre en place.
- Nettoyez avec un chiffon légèrement humide - n'utilisez pas de produits chimiques abrasifs ou d'eau de Javel.
- Ne laissez pas les enfants utiliser le mécanisme de levage.
- Ne laissez pas les enfants s'approcher de la base de levage lorsqu'ils actionnent le mécanisme.
- Ne vous tenez PAS à l'intérieur du lit ou de la base de stockage interne.
- Ne surchargez pas la base de stockage interne.
- Ne pas sauter sur le produit ou l'une de ses parties.

Italiano

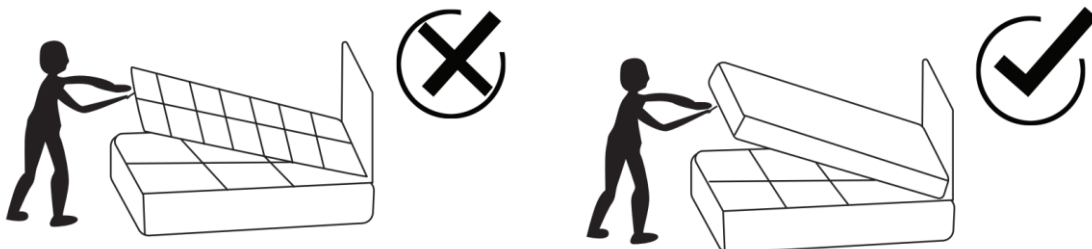
IMPORTANTE PER I LETTI CON SOLLEVAMENTO A GAS E LA MANUTENZIONE

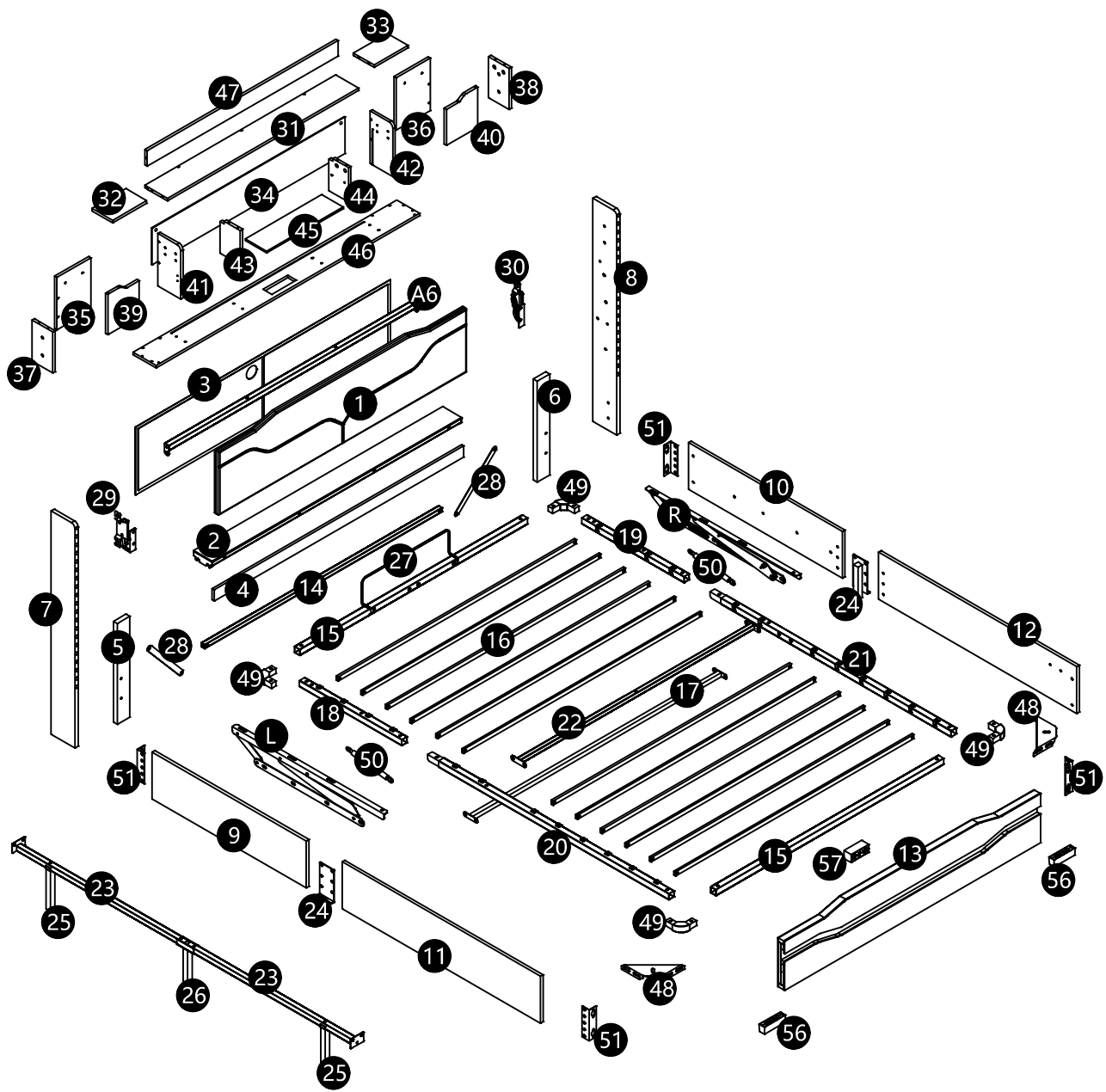
- Posizionare il materasso sopra la struttura del letto.
- Non tirare le maniglie della cinghia.
- Premere con forza per rilasciare il gas compresso.
- Controllare periodicamente tutte le viti e i fissaggi per assicurarsi che siano saldi.
- Quando si sposta il prodotto, sollevarlo con cautela.
- Pulire con un panno leggermente umido, senza usare prodotti chimici abrasivi o candeggina.
- NON permettere ai bambini di azionare il meccanismo di sollevamento.
- NON permettere ai bambini di avvicinarsi alla base di sollevamento quando si aziona il meccanismo.
- NON sostare all'interno del letto o della base di contenimento interna.
- NON sovraccaricare la base di contenimento interna.
- NON saltare sul prodotto o sulle sue parti.

Español

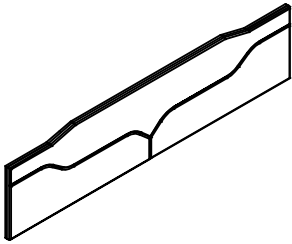
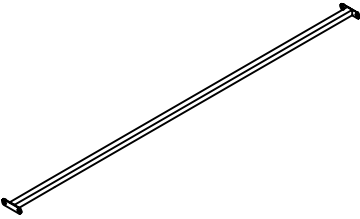
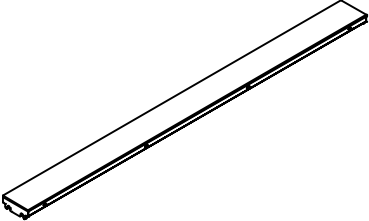
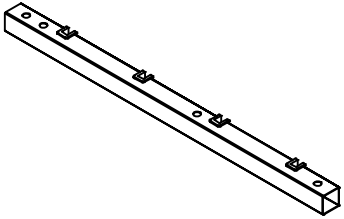
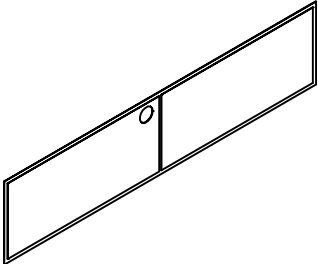
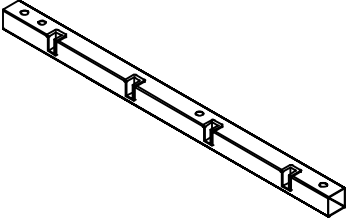
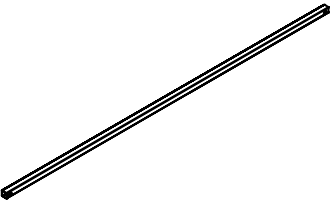
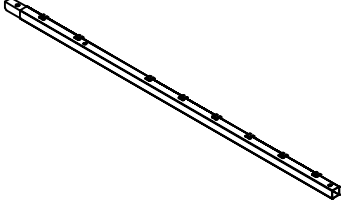
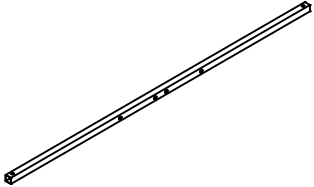
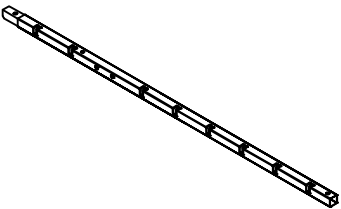
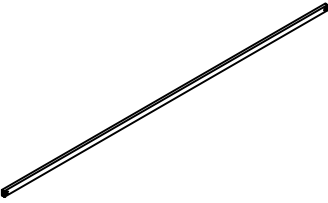
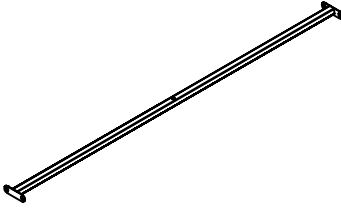
IMPORTANTE PARA LAS CAMAS ELEVADORAS DE GAS&MANTENIMIENTO

- Coloque el colchón sobre el somier.
- No tire de las asas de la correa.
- Presione con fuerza para liberar el gas comprimido.
- Compruebe periódicamente que todos los tornillos y fijaciones estén bien sujetos.
- Al mover el producto, levántelo con cuidado para colocarlo en su sitio.
- Limpie con un paño ligeramente humedecido; no utilice productos químicos abrasivos ni lejía.
- NO permita que los niños accionen el mecanismo de elevación.
- NO permita que los niños se acerquen a la base elevadora cuando accionen el mecanismo.
- NO se ponga de pie dentro de la cama o de la base de almacenamiento interna.
- NO sobrecargue el somier.
- NO salte sobre el producto ni sobre ninguna de sus piezas.

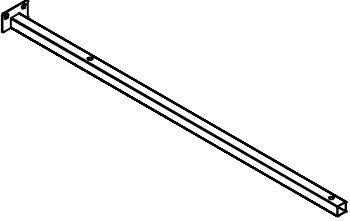
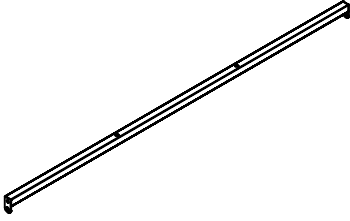




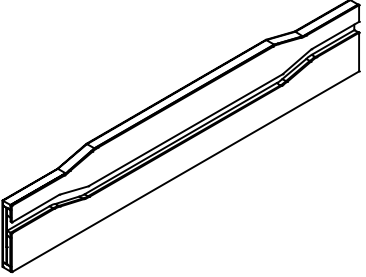
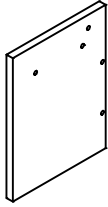
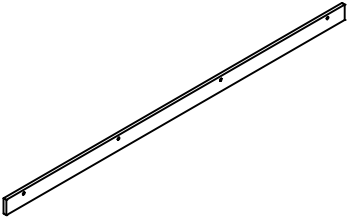
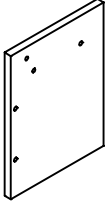
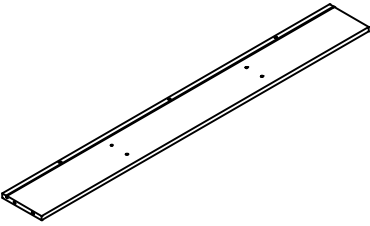
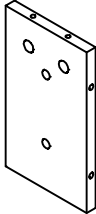
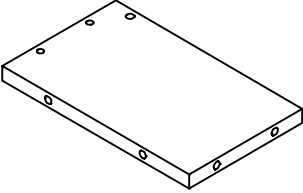
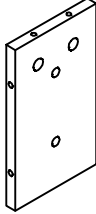
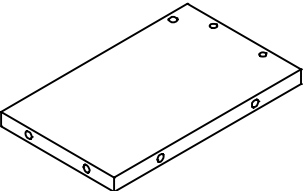
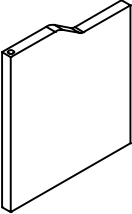
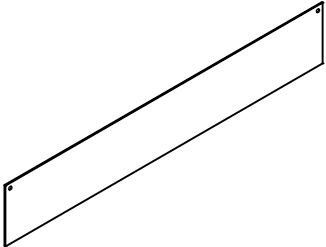
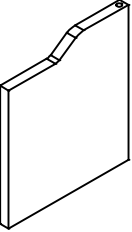
N636P283690

1		X1	17		X1
2		X1	18		X1
3			19		X1
14		X1	20		X1
15		X2	21		X1
16		X12	22		X1

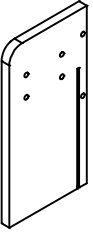
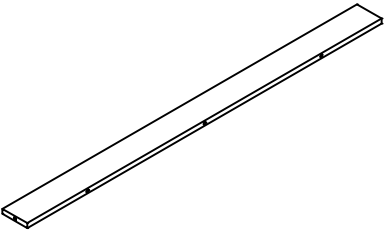
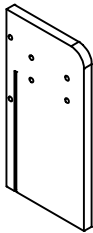
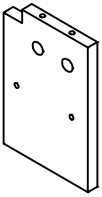
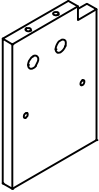
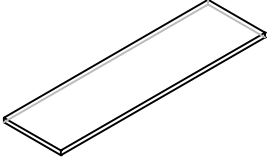
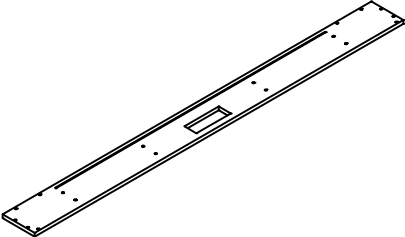
N636P283690

23		X2			
A6		X1			


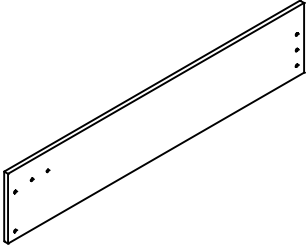

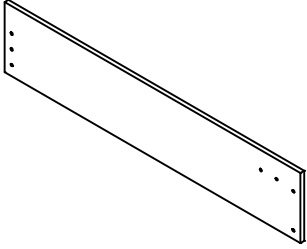
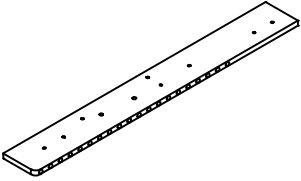
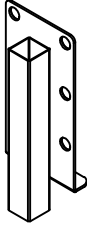
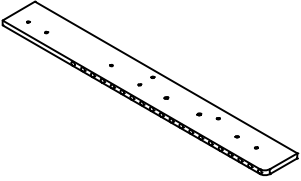

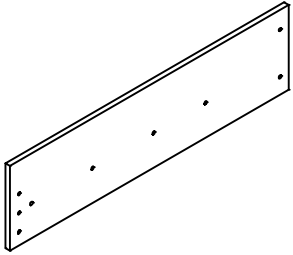
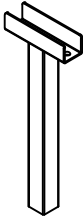
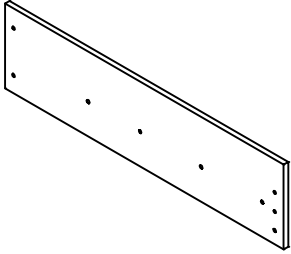
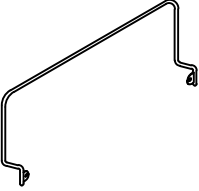
N636P283691

13		X1	35		X1
4		X1	36		X1
31		X1	37		X1
32		X1	38		X1
33		X1	39		X1
34		X1	40		X1

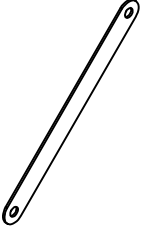
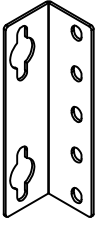
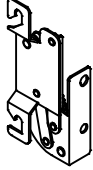
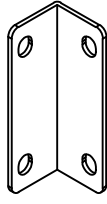

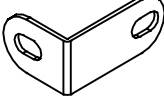
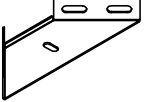
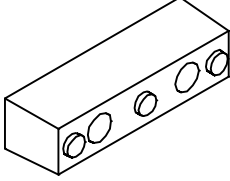
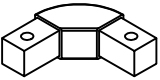
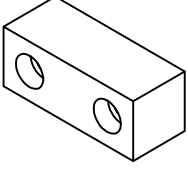
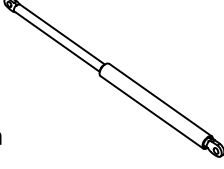
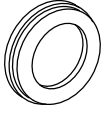
N636P283691

<p>41</p>		<p>X1</p>	<p>47</p>		<p>X1</p>
<p>42</p>		<p>X1</p>			
<p>43</p>		<p>X1</p>			
<p>44</p>		<p>X1</p>			
<p>45</p>		<p>X1</p>			
<p>46</p>		<p>X1</p>			

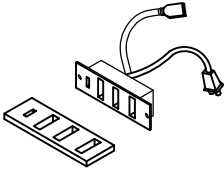
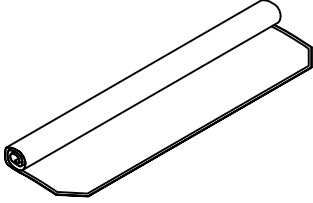


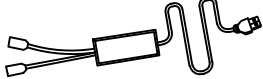
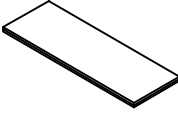
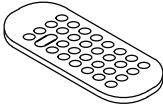
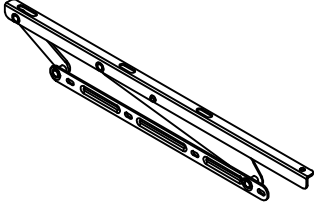
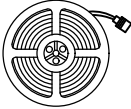
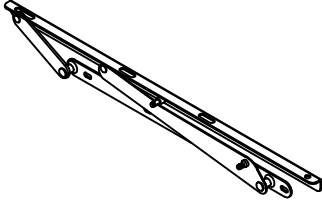
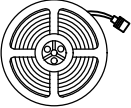
N636P283692

5		X1	11		X1
6		X1	12		X1
7		X1	24		X2
8		X1	25		X2
9		X1	26		X1
10		X1	27		X1

N636P283692

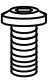
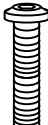
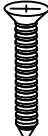
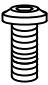
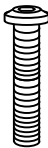
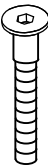
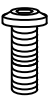


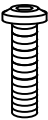


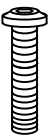
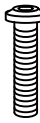

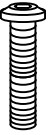


<p>28</p>		<p>X2</p>	<p>51</p>		<p>X4</p>
<p>29</p>		<p>X1</p>	<p>52</p>		<p>X2</p>
<p>30</p>		<p>X1</p>	<p>53</p>		<p>X2</p>
<p>48</p>		<p>X2</p>	<p>56</p>		<p>X2</p>
<p>49</p>		<p>X4</p>	<p>57</p>		<p>X1</p>
<p>50</p>	 <p>400mm 9mm 750N</p>	<p>X2</p>	<p>58</p>		<p>X1</p>

N636P283692

<p>59</p>		<p>X1</p>	<p>A5</p>		<p>X1</p>
<p>60</p>		<p>X1</p>	<p>A7</p>	 <p>Silent sticker</p>	<p>X5</p>
<p>A1</p>	 <p>Power cord</p>	<p>X1</p>	<p>A8</p>	 <p>Strap magic tape</p>	<p>X10</p>
<p>A2</p>	 <p>Remote control</p>	<p>X1</p>	<p>L</p>		<p>X1</p>
<p>A3</p>	 <p>Long light strip</p>	<p>X1</p>	<p>R</p>		<p>X1</p>
<p>A4</p>	 <p>Short light strip</p>	<p>X1</p>			



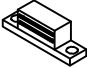
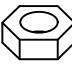





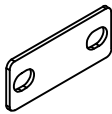
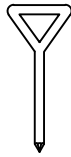
Hardware List-Hardware-Liste-Liste du matériel

N636P283692

A	 M8*12	X8	G	 M8*50	X8	N	 M3*16	X4
B	 M8*15	X36	H	 M8*55	X1	O	 M5*35	X39
C	 M8*20	X46	J	 M6*12	X2	P	 M6*12	X8
D	 M8*30	X4	K	 M6*15	X2	Q	 M8*φ22	X8
E	 M8*35	X6	L	 M6*34	X6	R	 M8*φ22	X5
F	 M8*45	X2	M	 M3*12	X6	S	 M3*12	X4

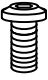

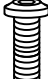
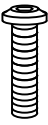
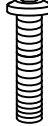
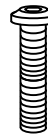
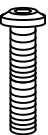
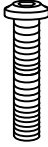
Hardware List-Hardware-Liste-Liste du matériel

N636P283692

T		X2	Z		X1			
U		X2	54	 M8	X12+1			
V	 M5	X1	55		X4			
W	 M6	X1	B1	 M6*20	X4			
X	 M8	X1	B2					
Y		X1						

Hardware List-Hardware-Liste-Liste du matériel

N636P283692

A	 M8*12	X8	B	 M8*15	X36	C	 M8*20	X46
D	 M8*30	X4	E	 M8*35	X6	F	 M8*45	X2
G	 M8*50	X8	H	 M8*55	X1			



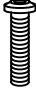

Bitte beachten Sie, dass die Formen der Schrauben A und B und C und D und E und F und G und H ähnlich sind. Bitte installieren Sie entsprechend der Anleitung und unterscheiden Sie sie!

Please note that the shapes of screws A and B and C and D and E and F and G and H are similar. Please install according to the instructions and distinguish them!

Notez que les vis a et B, C et d, e et F, G et H ont des formes similaires. Suivez les instructions pour les installer et les différencier!

Hardware List-Hardware-Liste-Liste du matériel



N636P283692

J		X2	K		X2	L		X6	B1		X4
	M6*12			M6*15			M6*34			M6*20	

Bitte beachten Sie, dass die Formen der Schrauben J und K und L und B1 ähnlich sind. Bitte installieren Sie entsprechend der Anleitung und unterscheiden Sie sie!

Please note that the shapes of screws J and K and L and B1 are similar. Please install according to the instructions and distinguish them!

Notez que les vis J et K et L et B1 ont des formes similaires. Suivez les instructions pour les installer et les différencier!

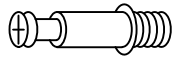
M		X6+1	N		X4+1
	M3*12			M3*16	

Bitte beachten Sie, dass die Formen der Schrauben M und N ähnlich sind. Bitte installieren Sie entsprechend der Anleitung und unterscheiden Sie sie!

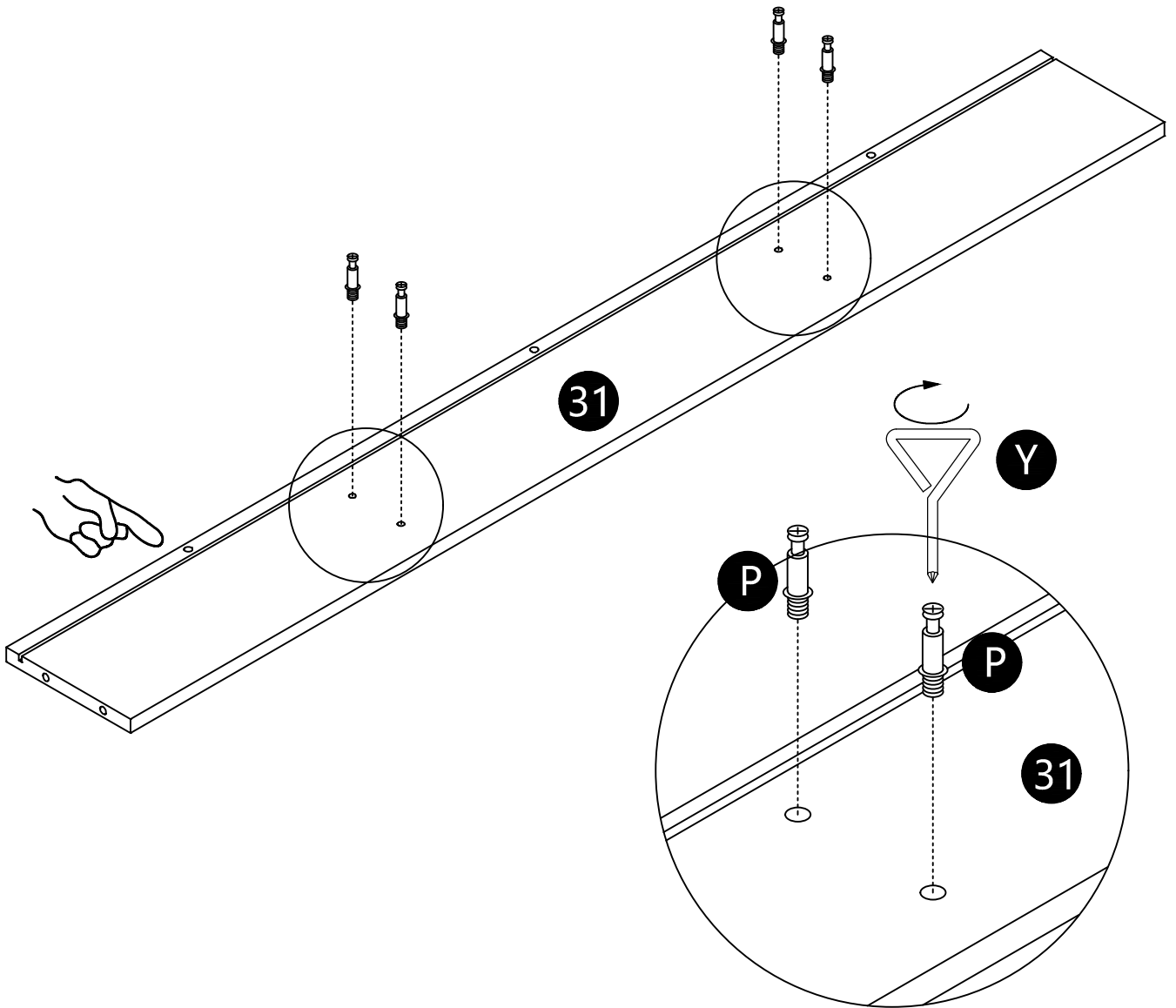
Please note that the shapes of screws M and N are similar. Please install according to the instructions and distinguish them!

Notez que les vis m et n sont de forme similaire. Suivez les instructions pour les installer et les différencier!

1



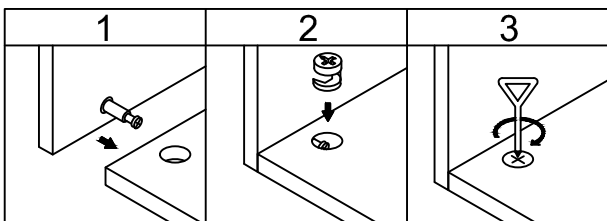
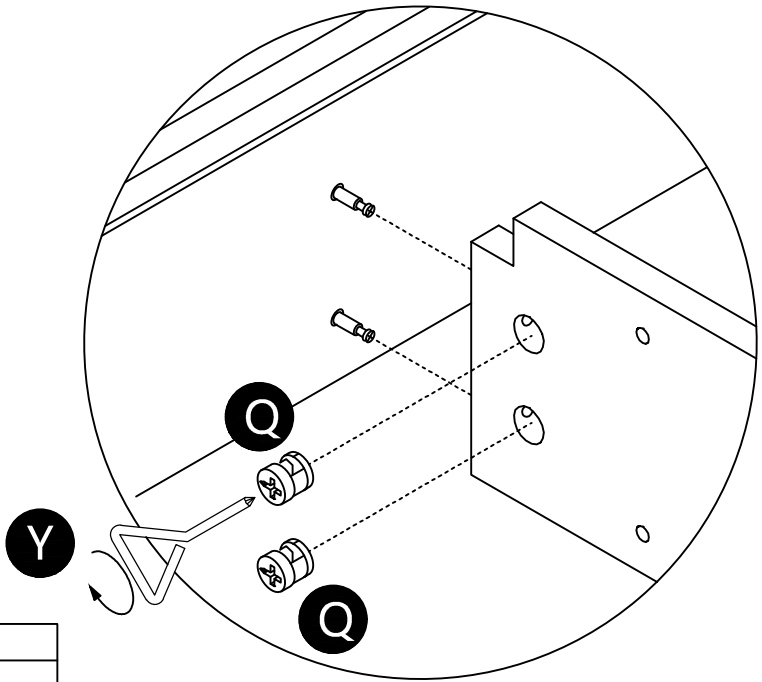
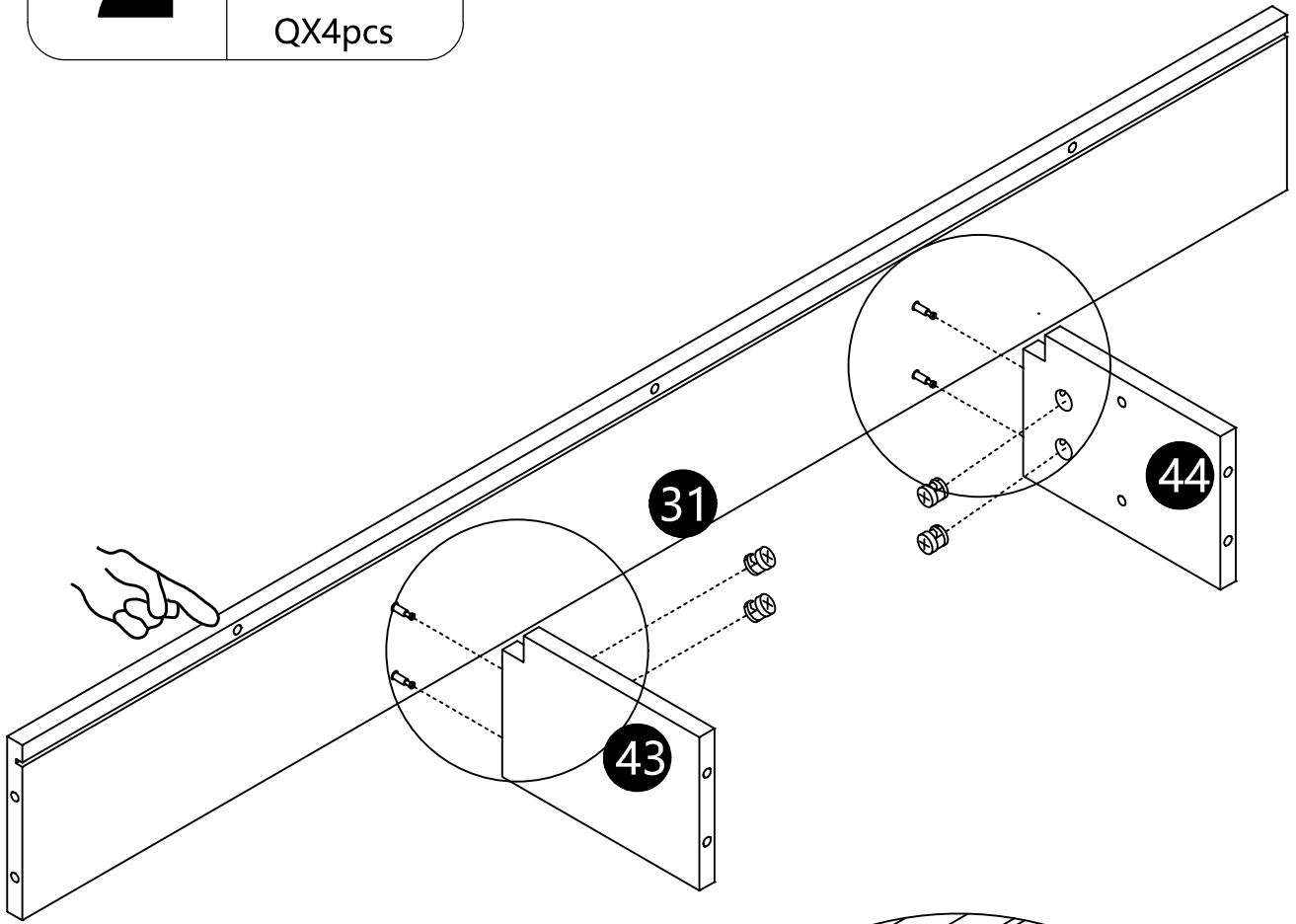
PX4pcs



2



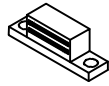
QX4pcs



3



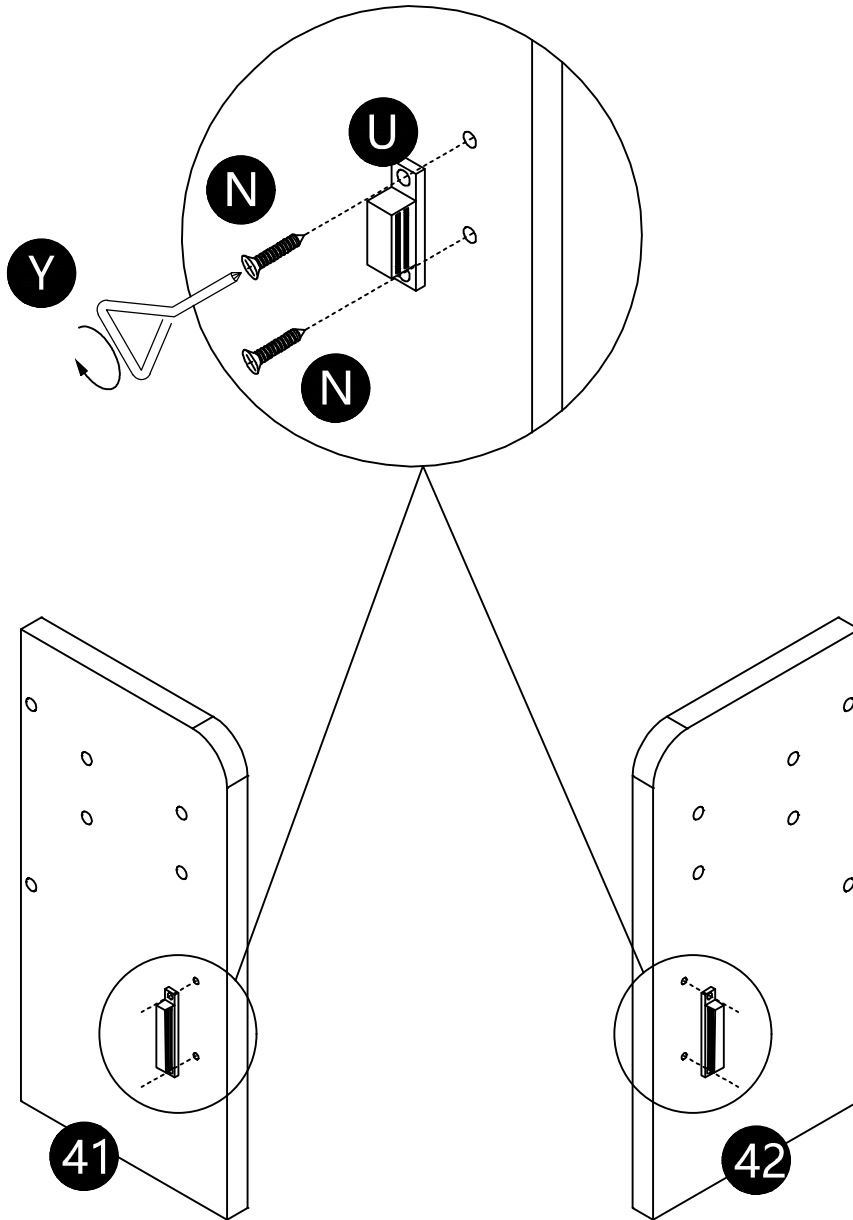
M3*16
NX4pcs



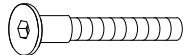
UX2pcs



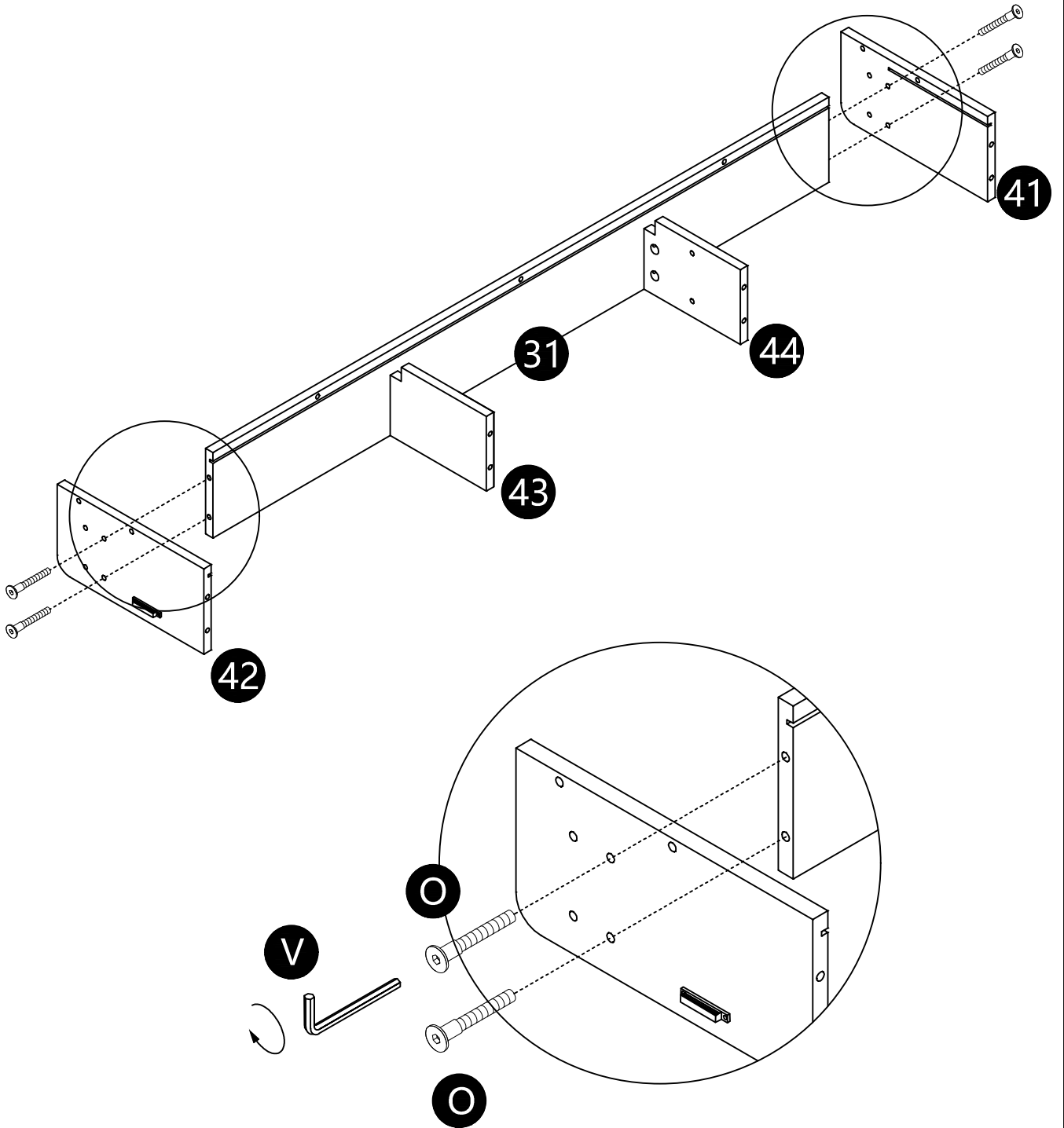
M3*12



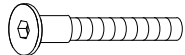
4



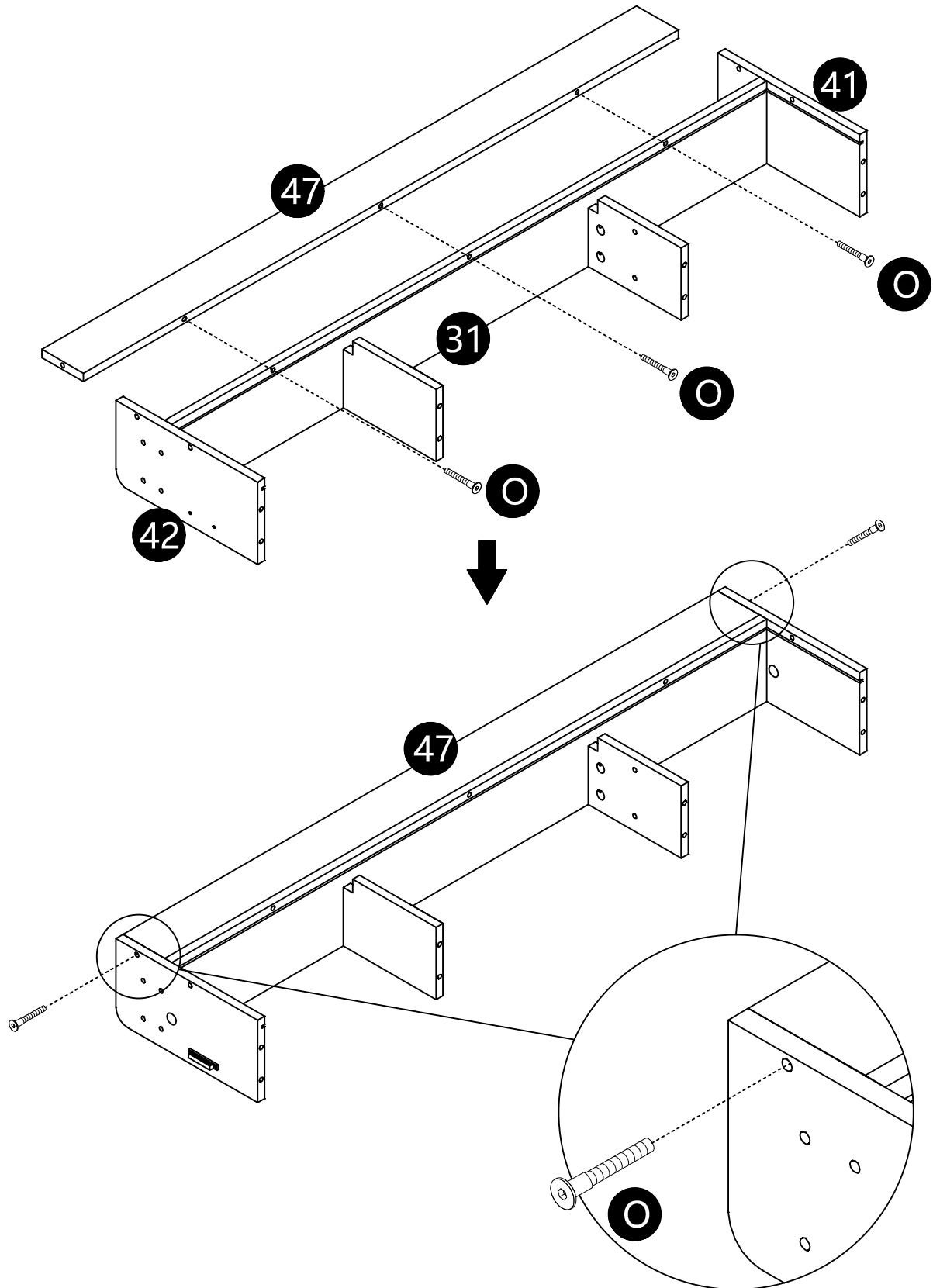
M5*35
OX4pcs



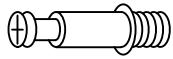
5



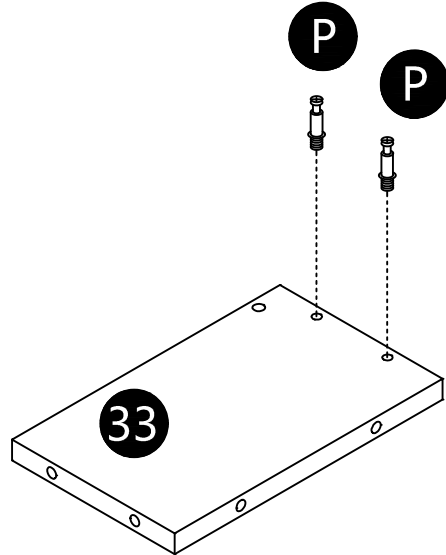
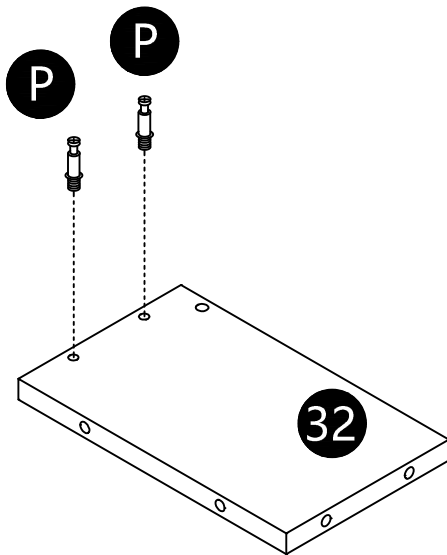
M5*35
OX5pcs



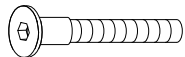
6



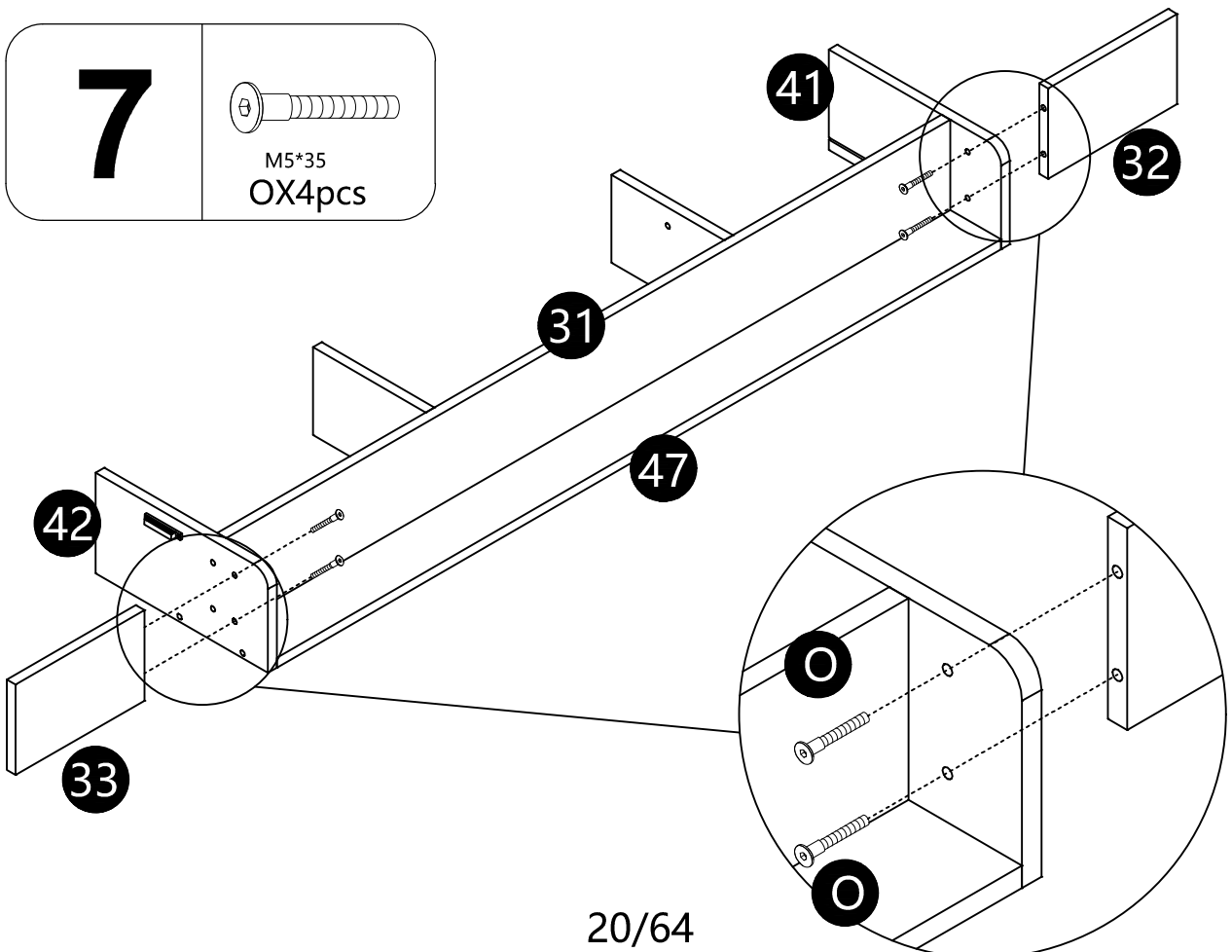
PX4pcs



7



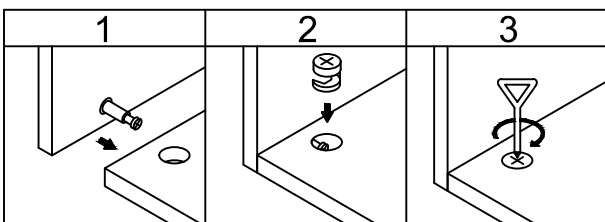
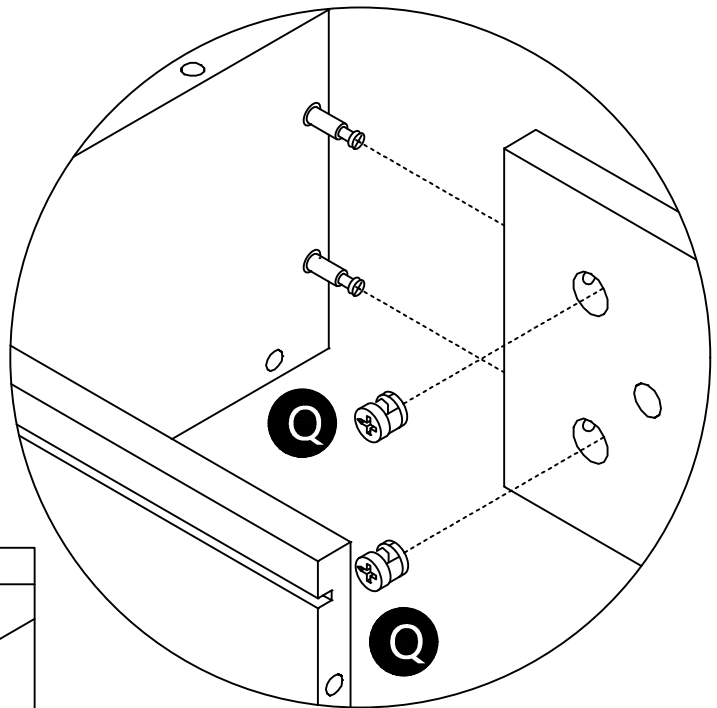
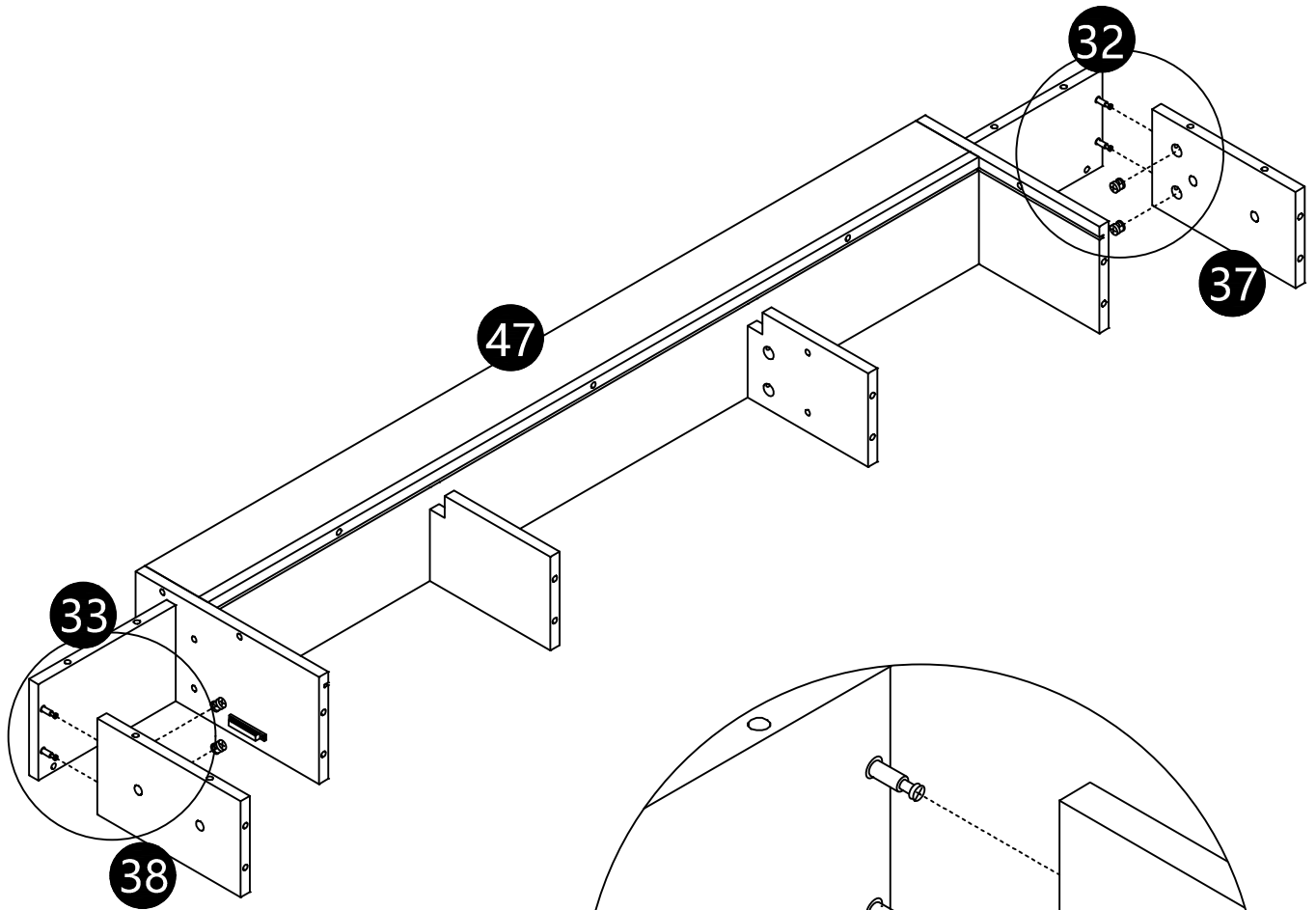
M5*35
OX4pcs



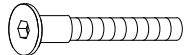
8



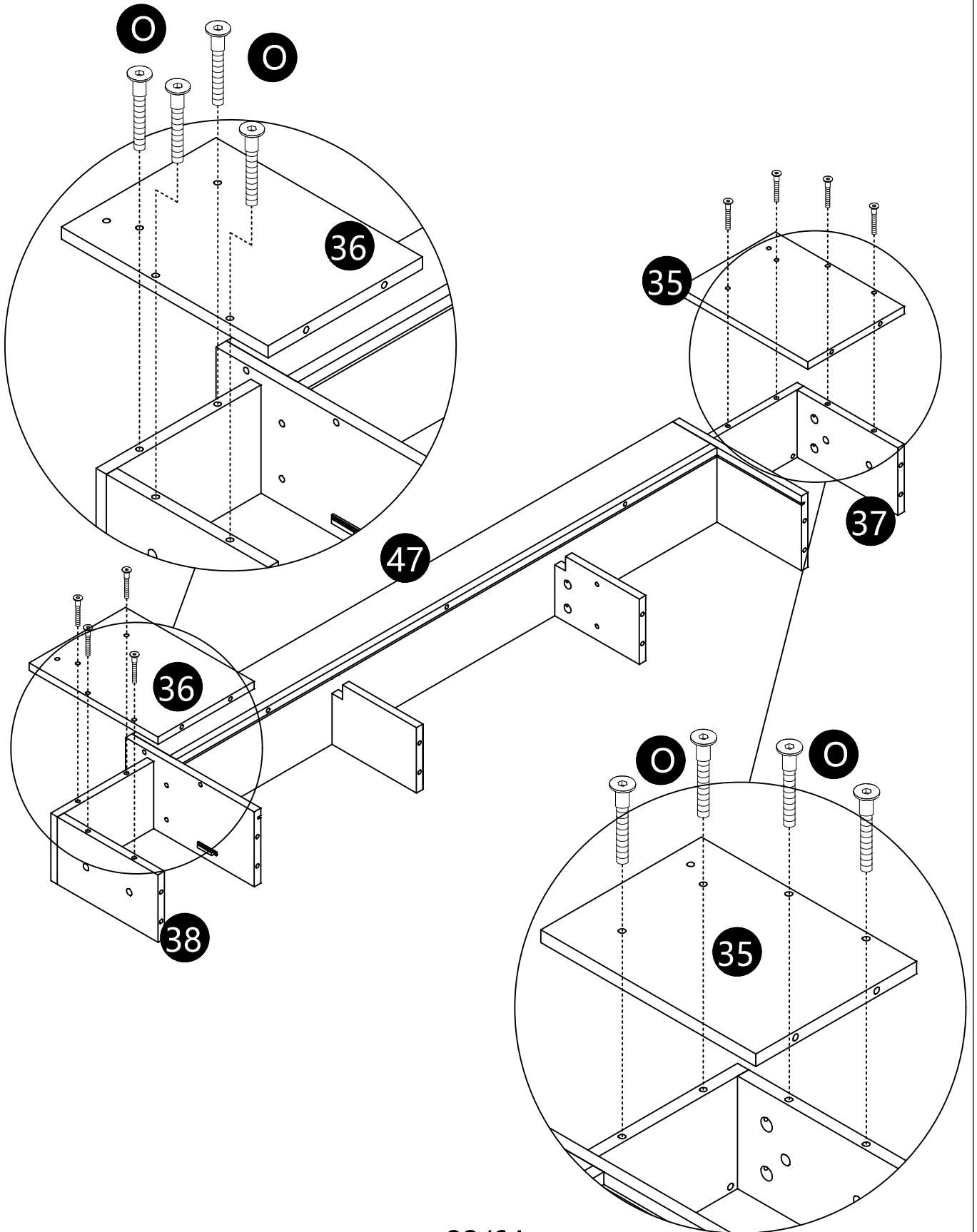
QX4pcs



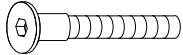
9



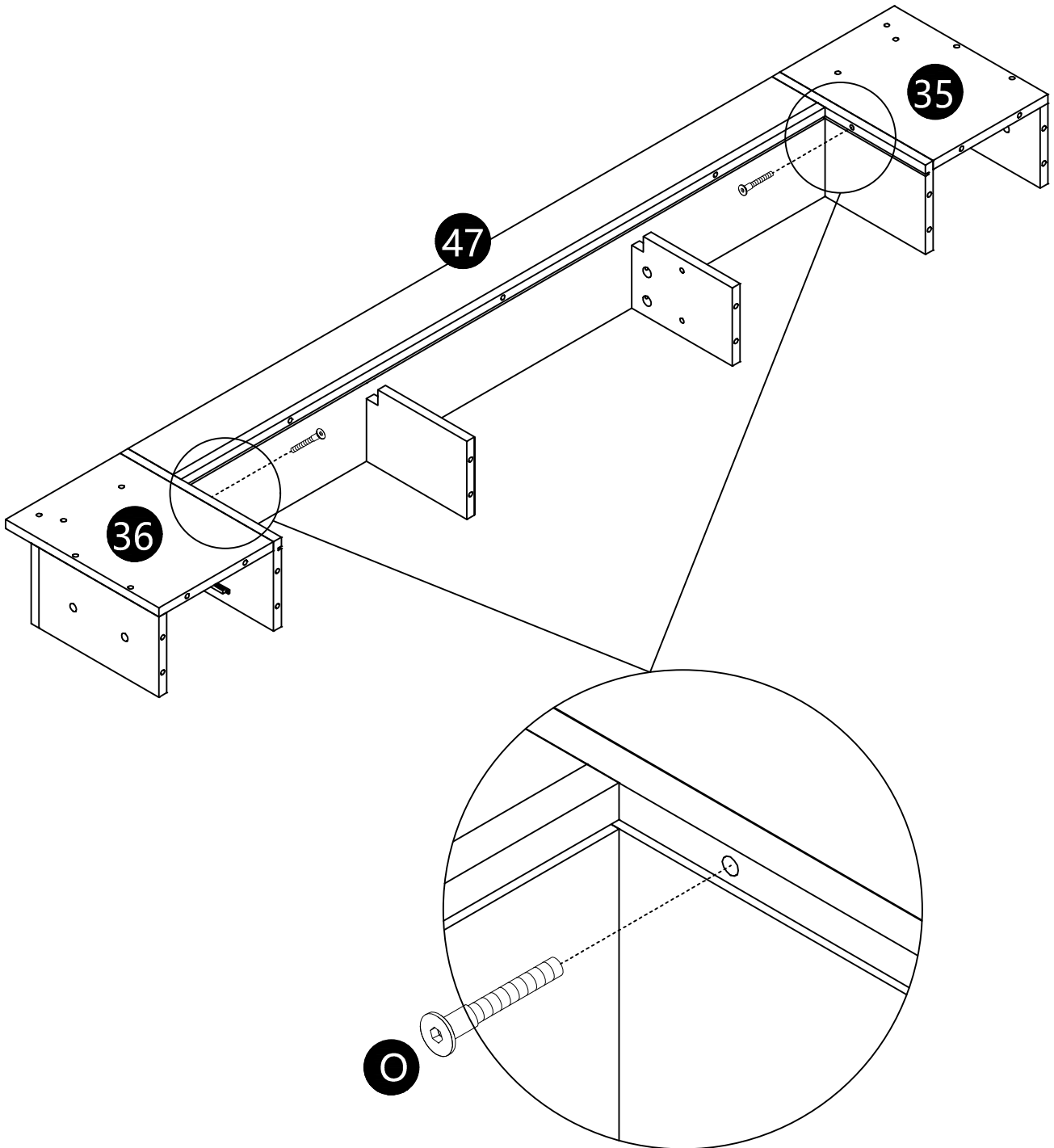
M5*35
OX8pcs



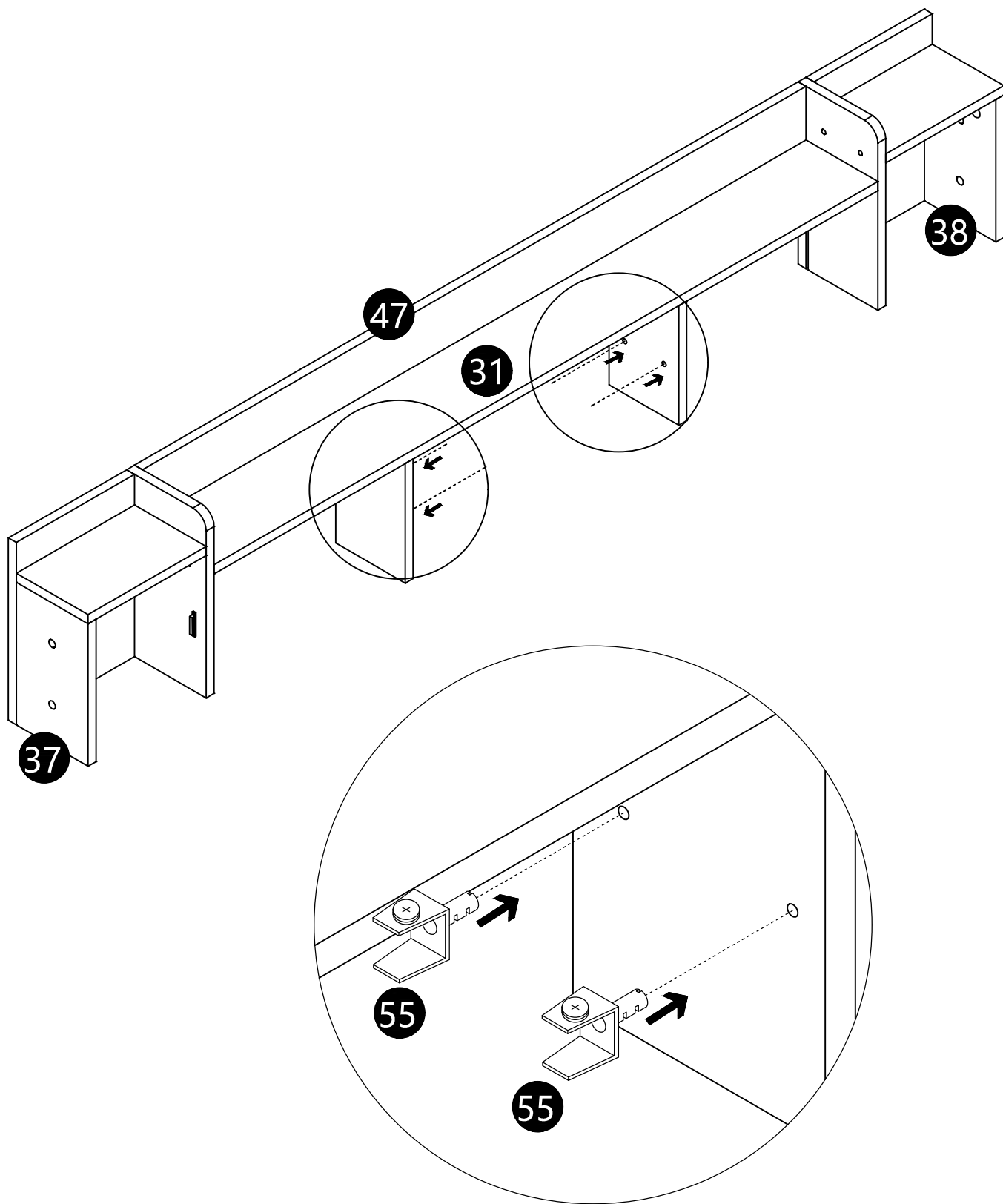
10



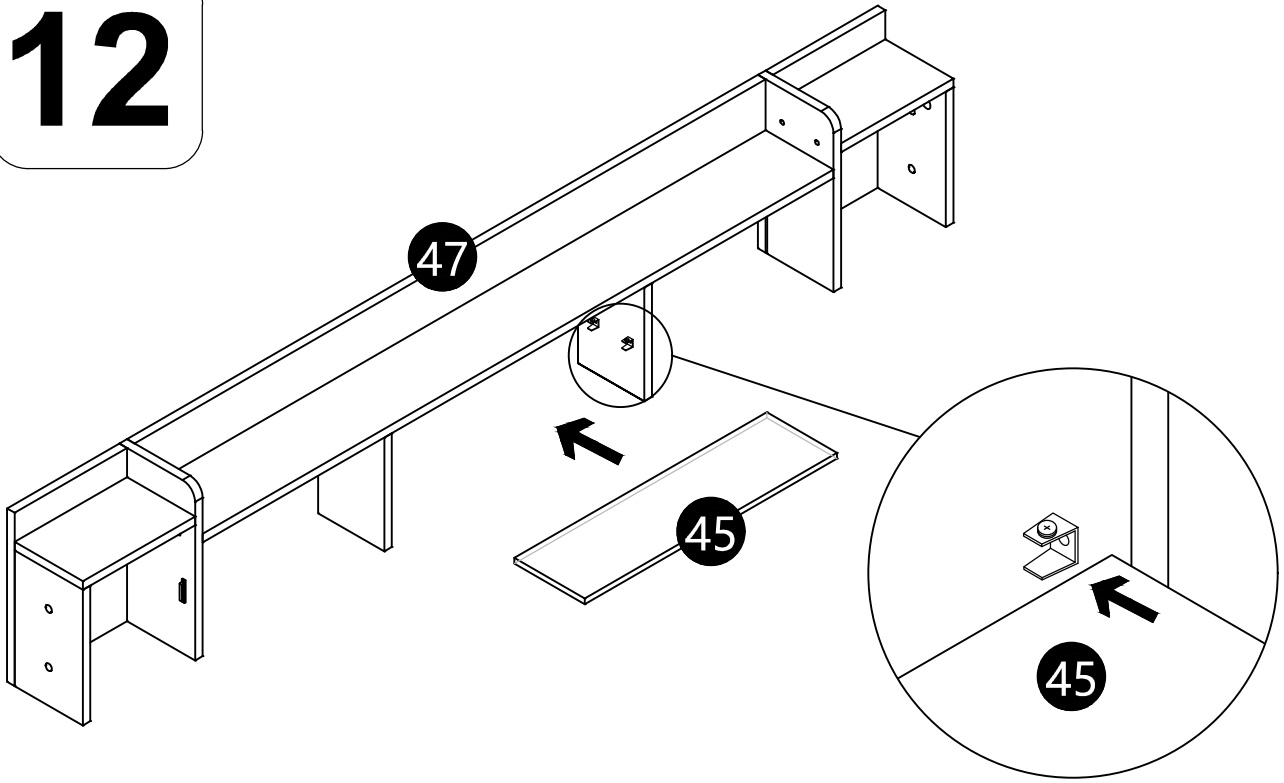
M5*35
OX2pcs



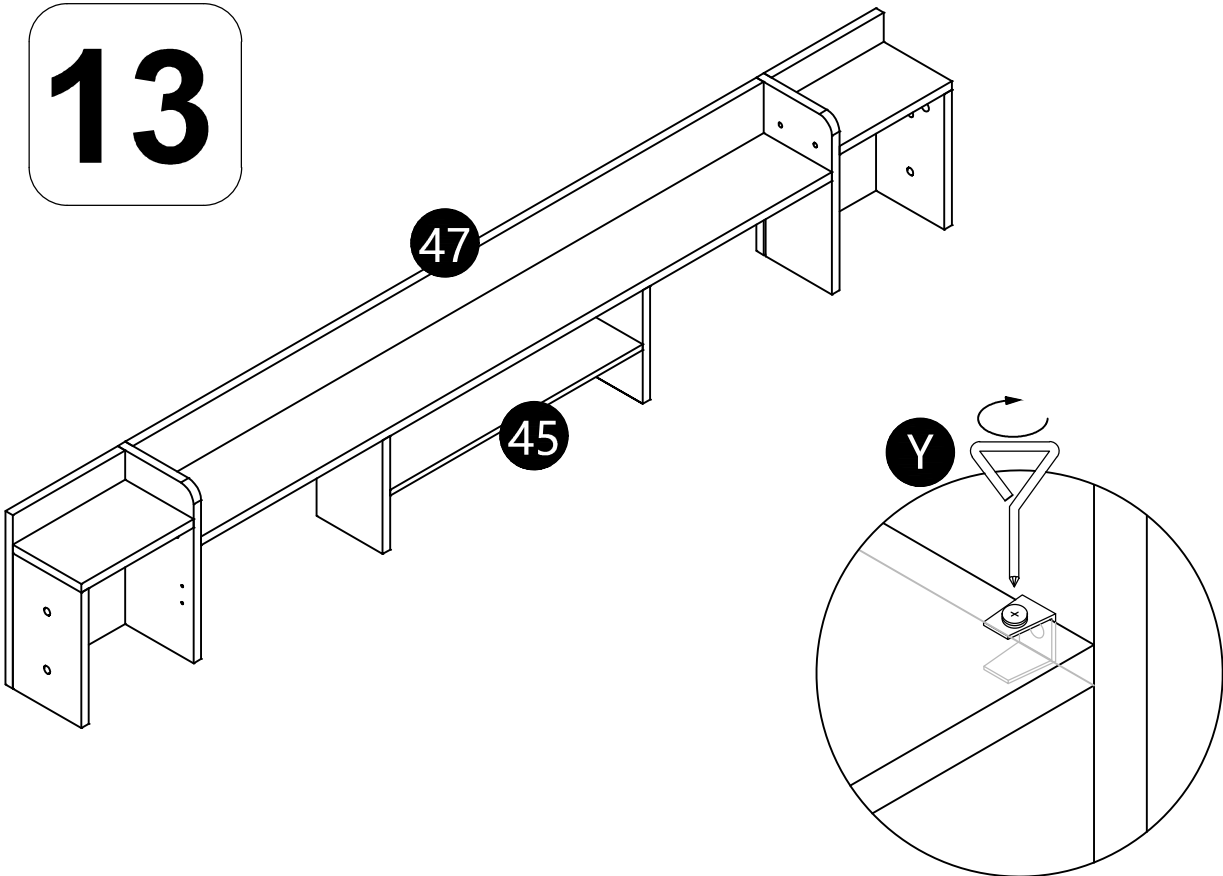
11



12



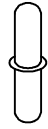
13



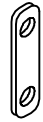
14



M3*12
MX4pcs



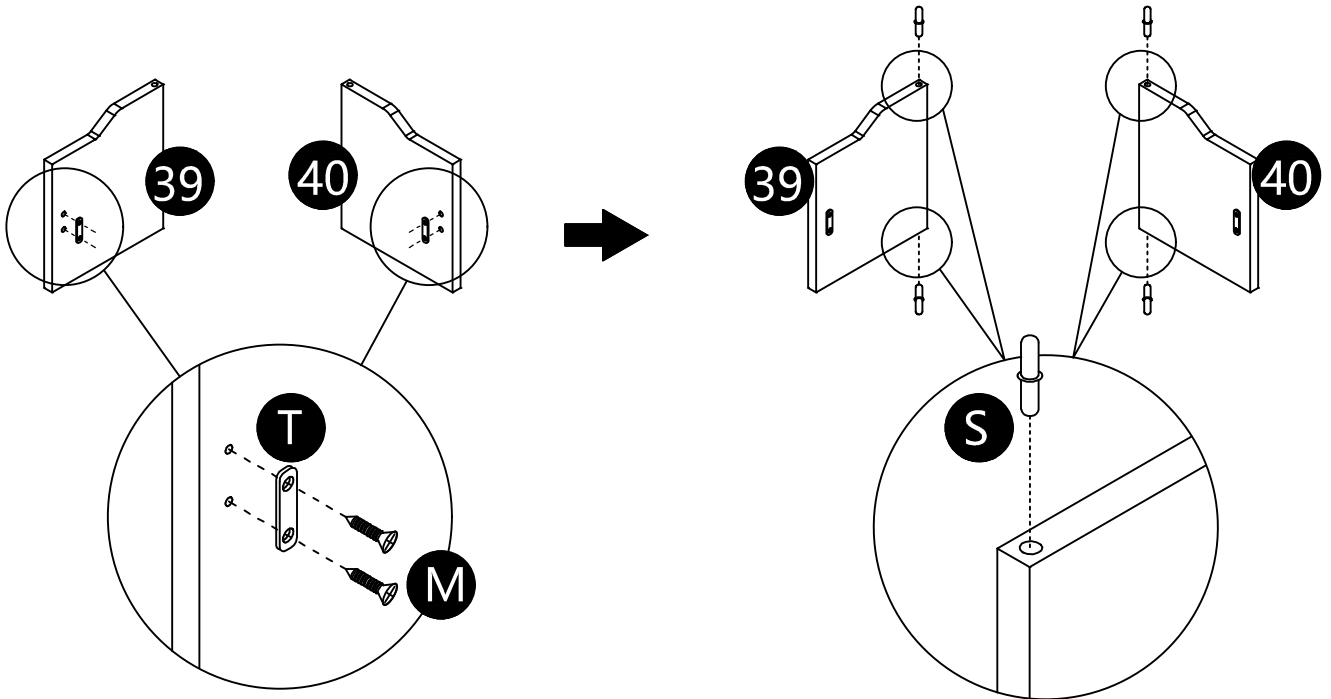
SX4pcs



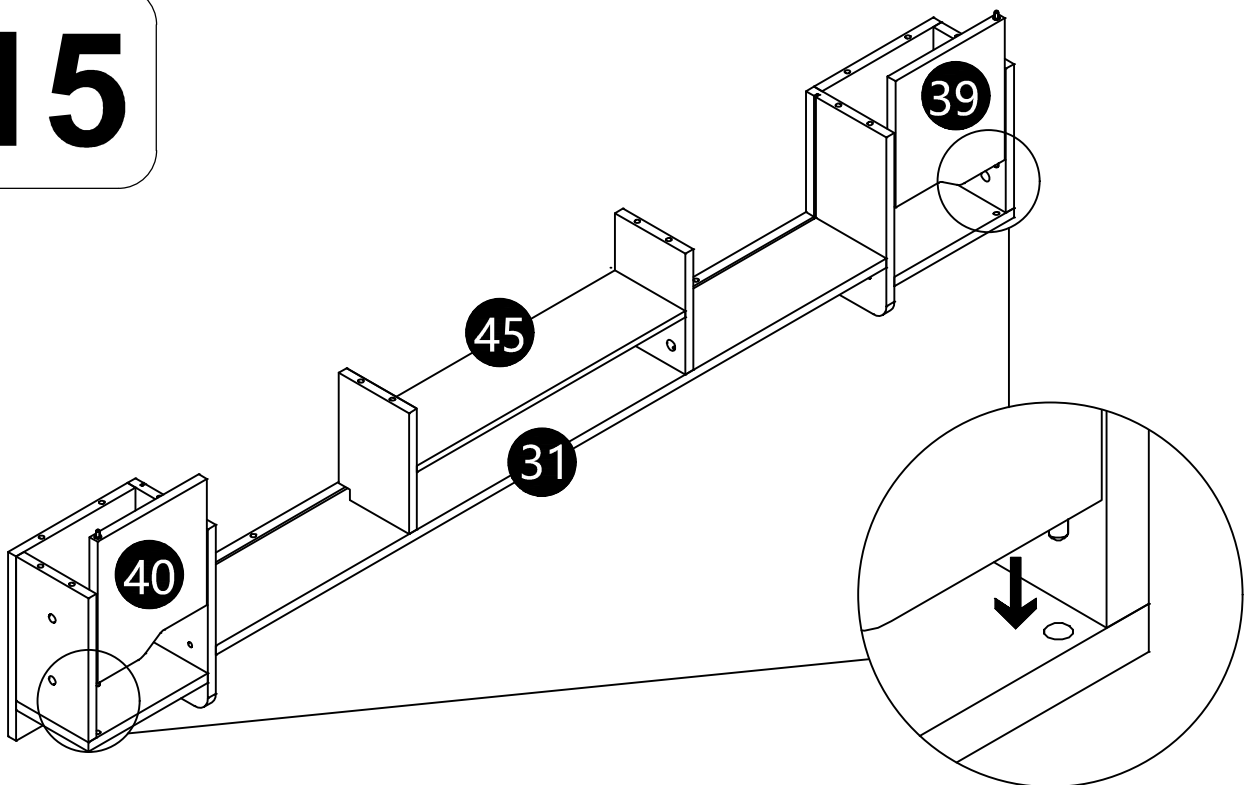
TX2pcs



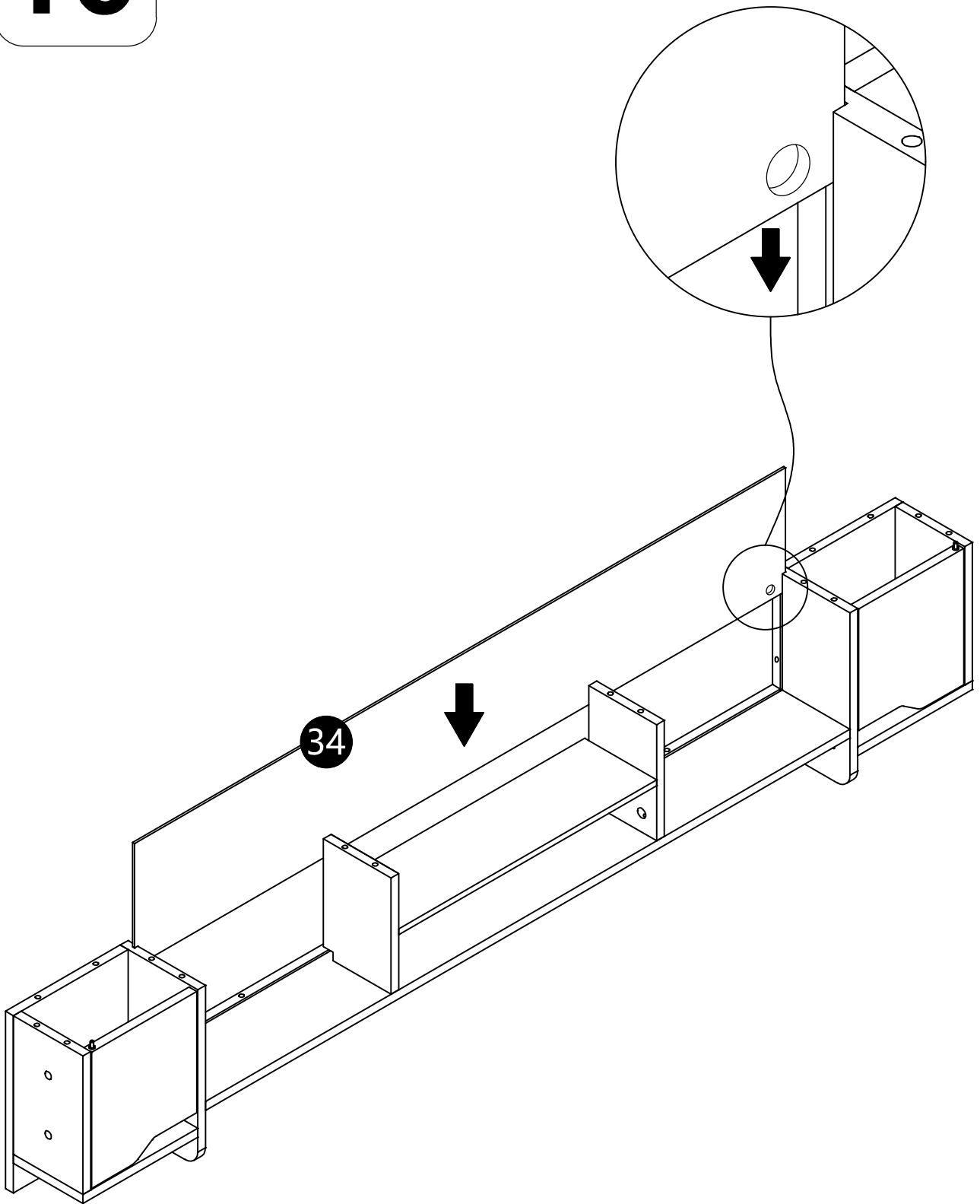
M3*16



15



16



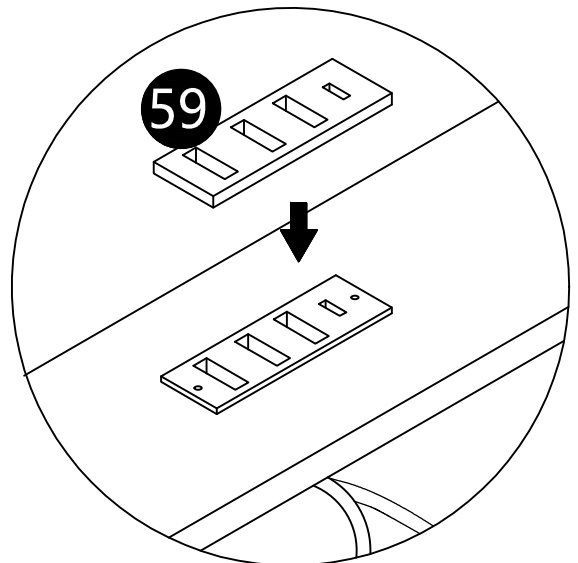
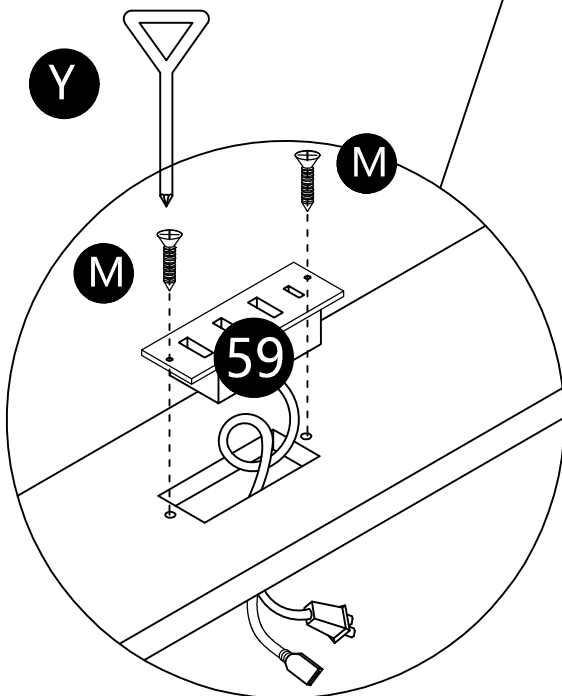
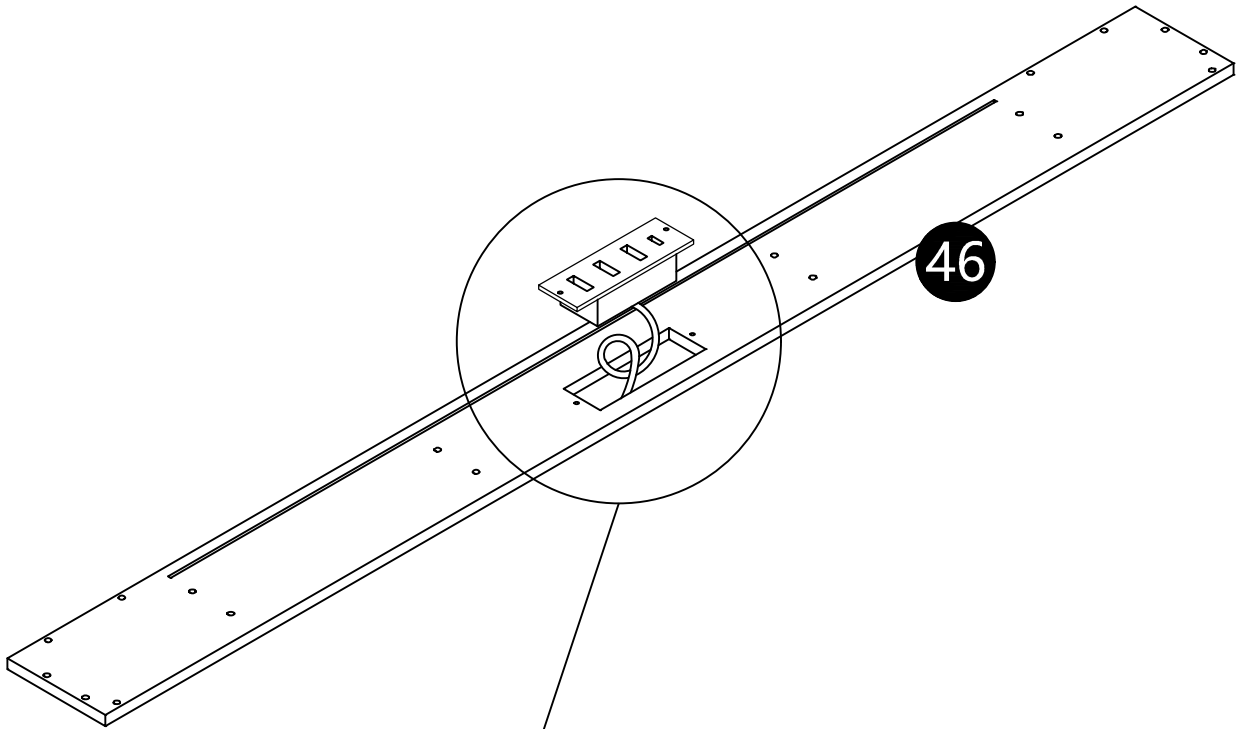
17



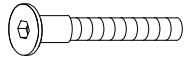
M3*12
MX2pcs



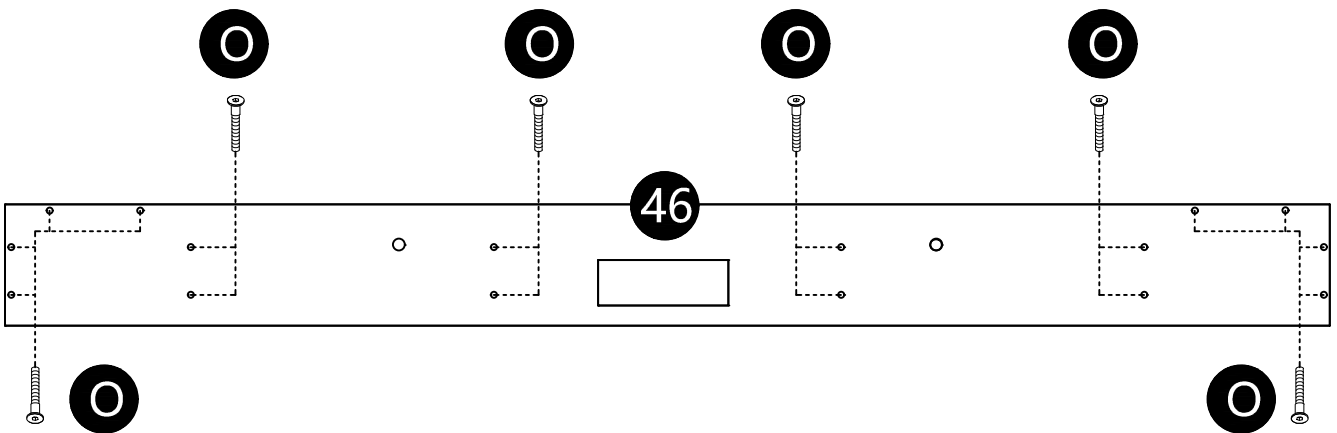
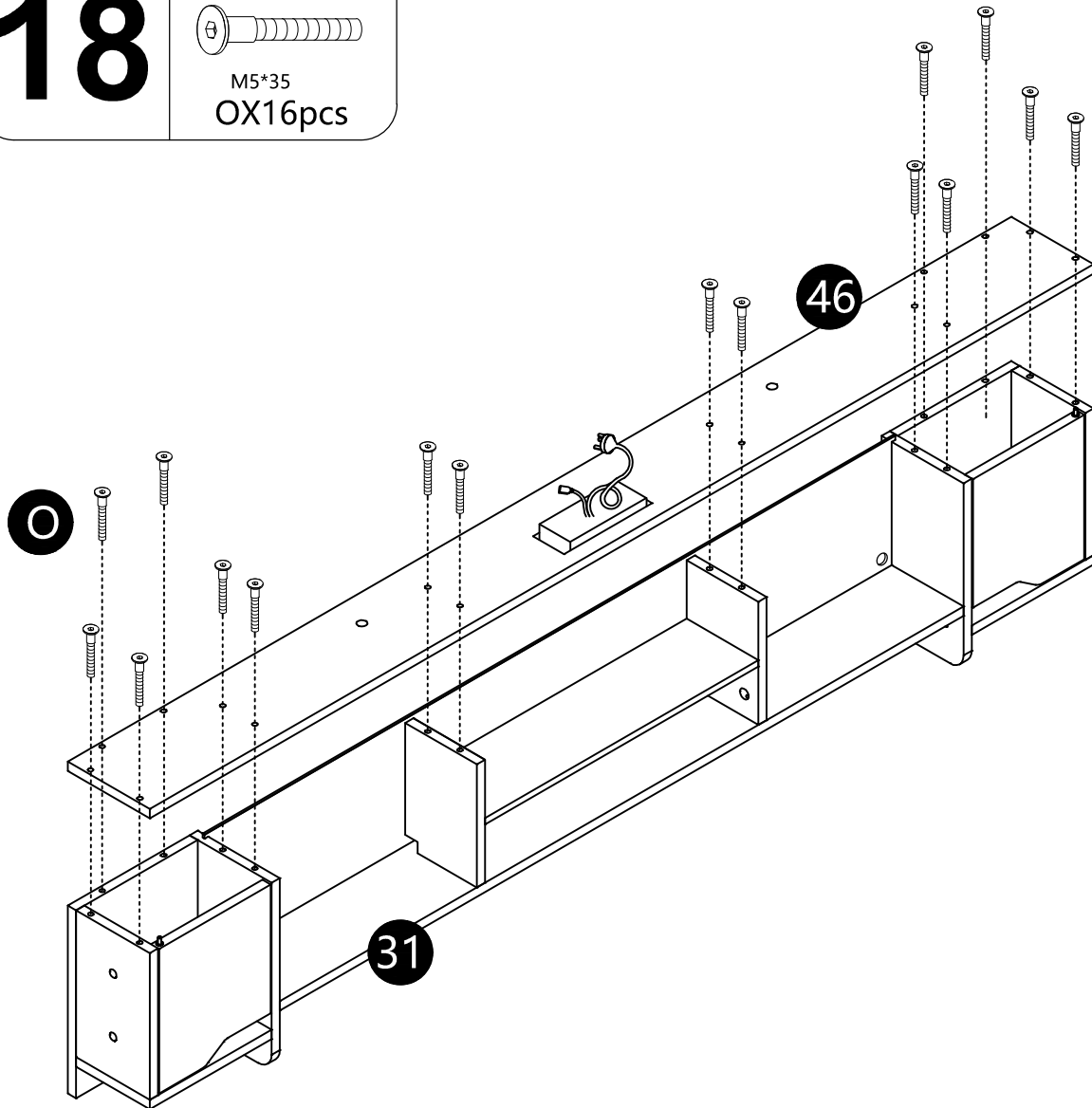
M3*16



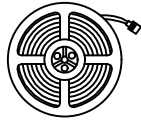
18



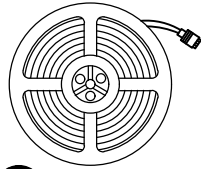
M5*35
OX16pcs



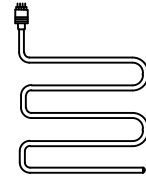
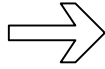
19



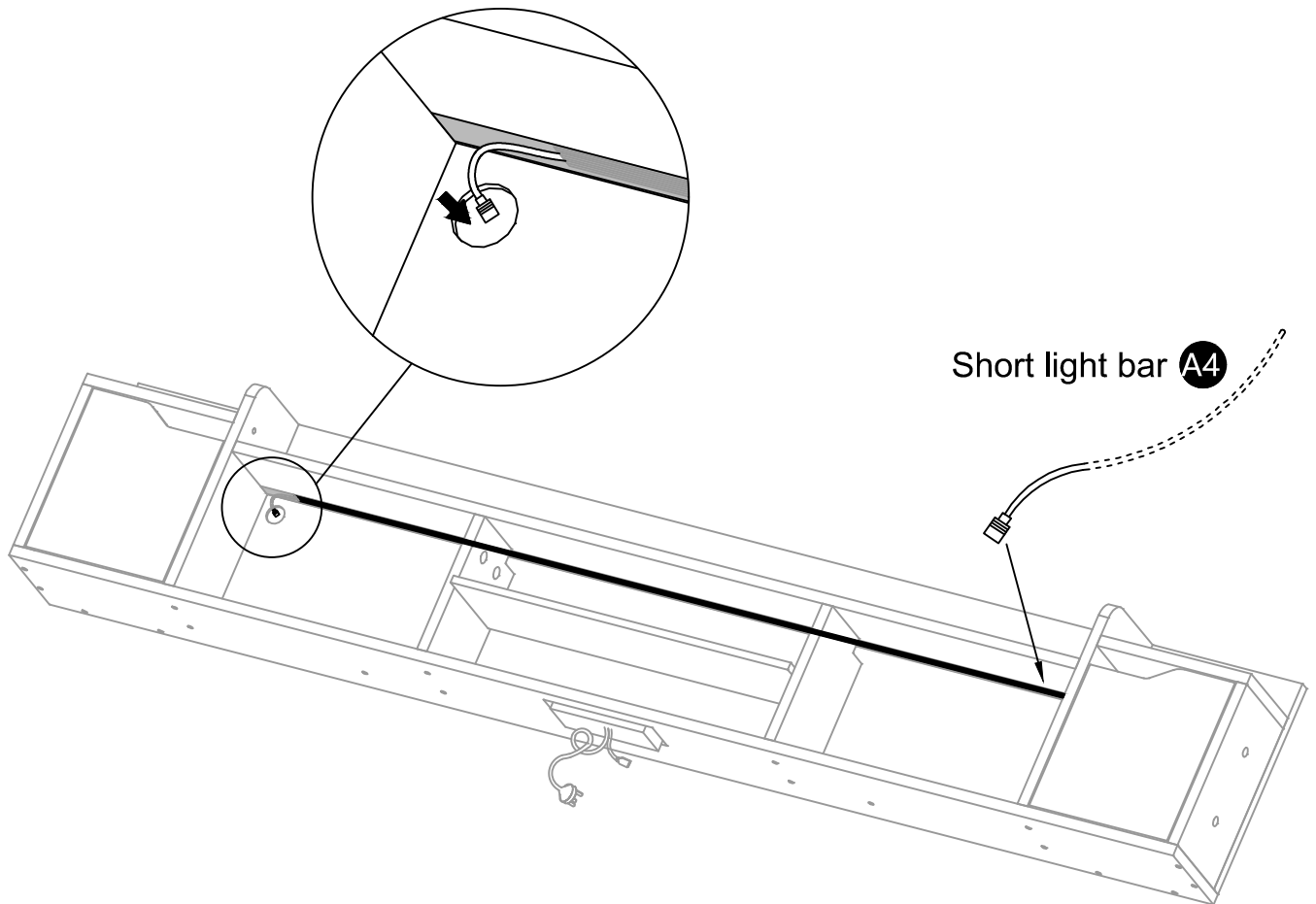
Short light bar
A4X1pc



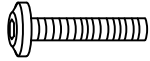
A4 light strip
1PC



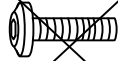
light strip



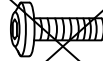
20



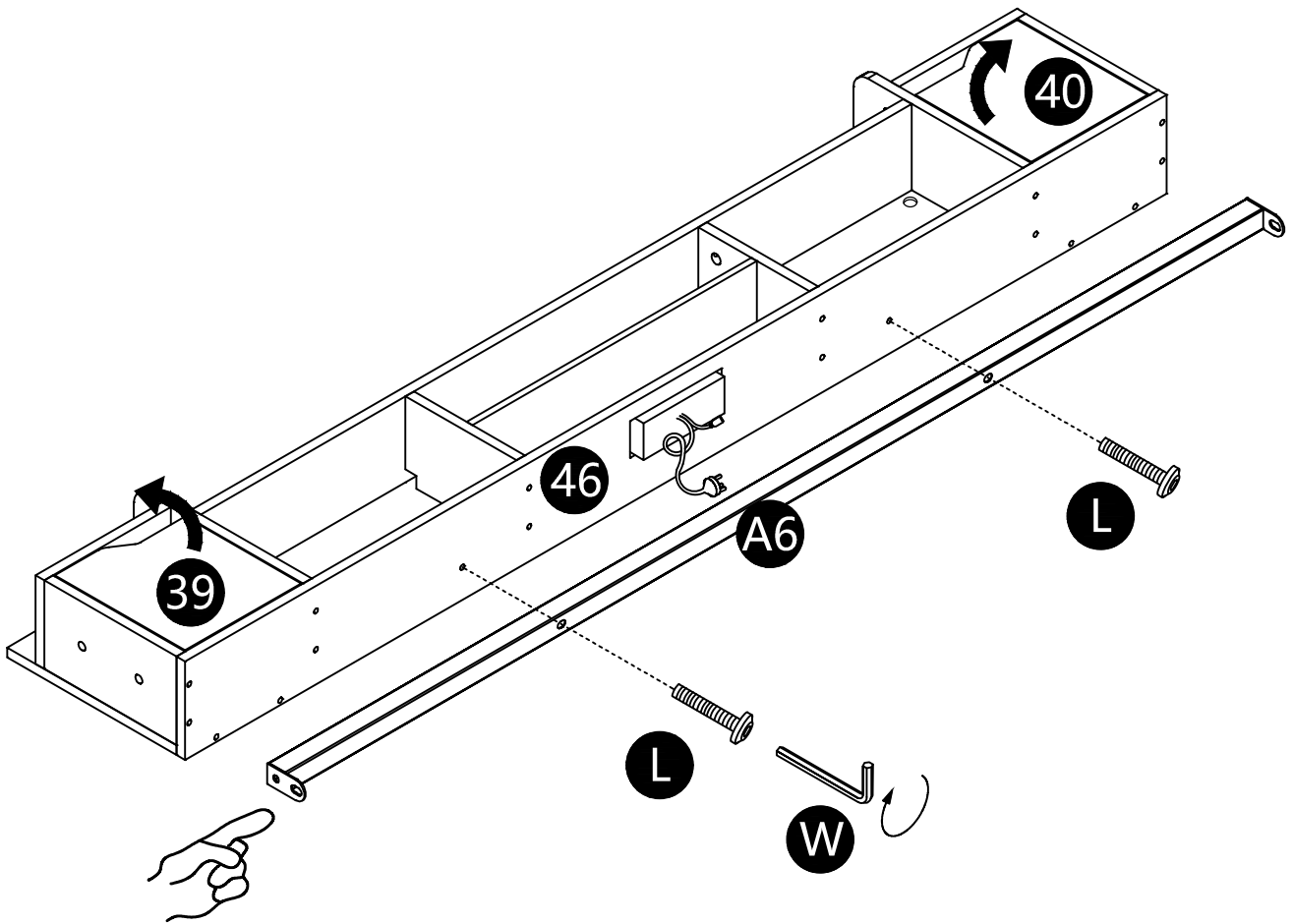
M6*34
LX2pcs



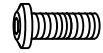
M6*20



M6*15



21



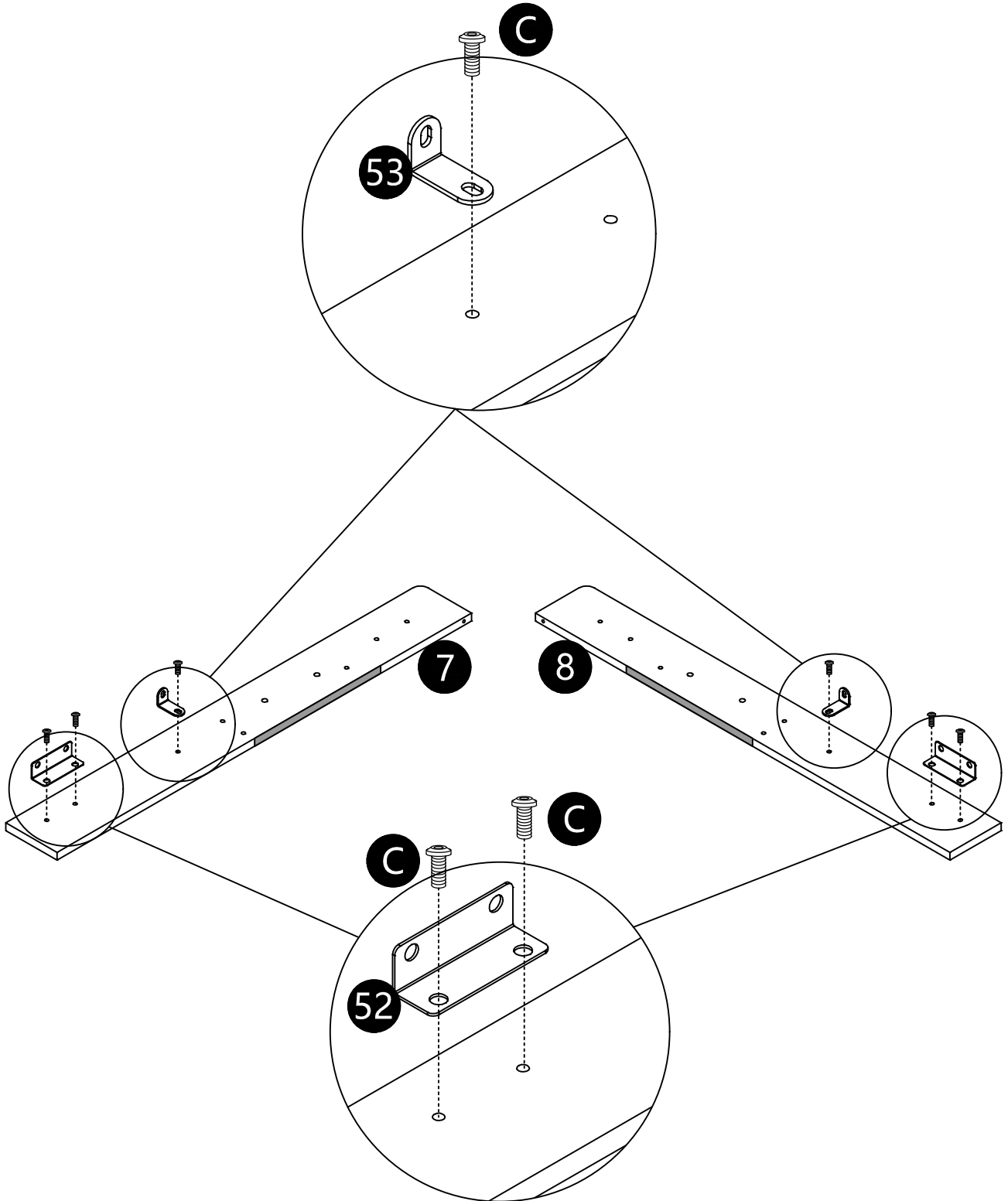
M8*20
CX6pcs



M8*15



M8*12

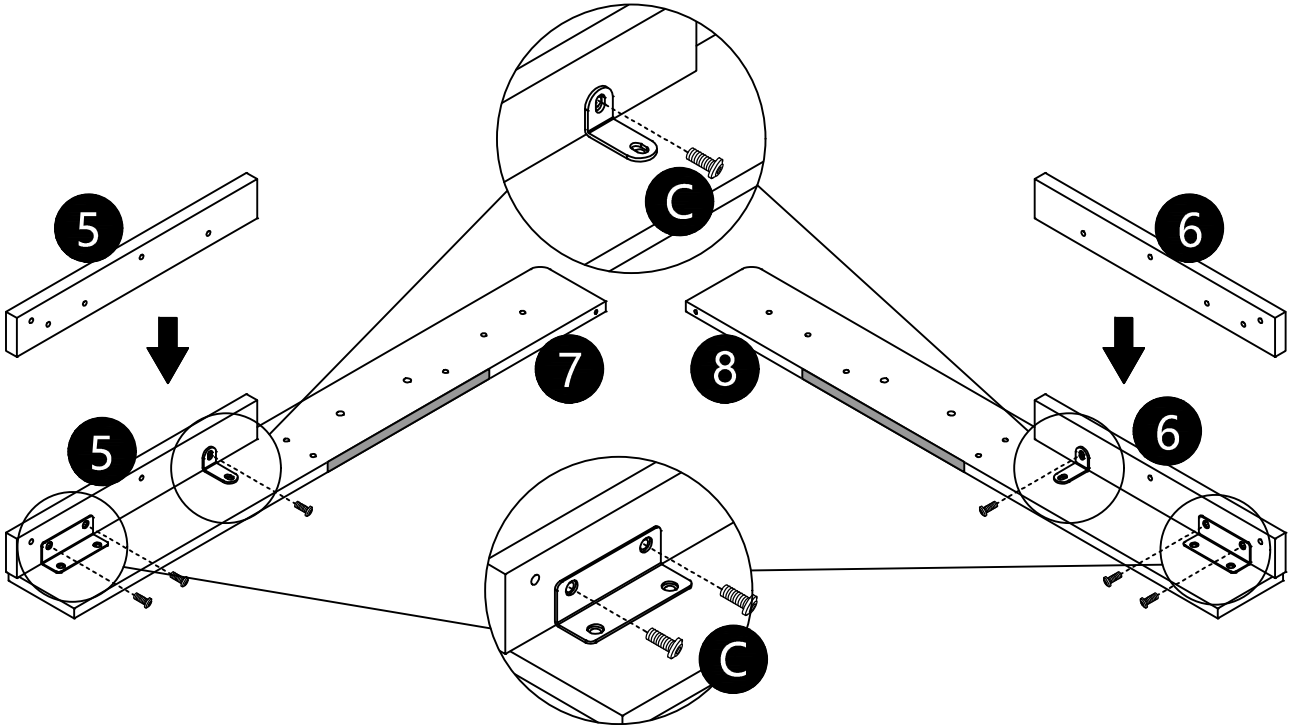


22

M8*20
CX6pcs

M8*15

M8*12

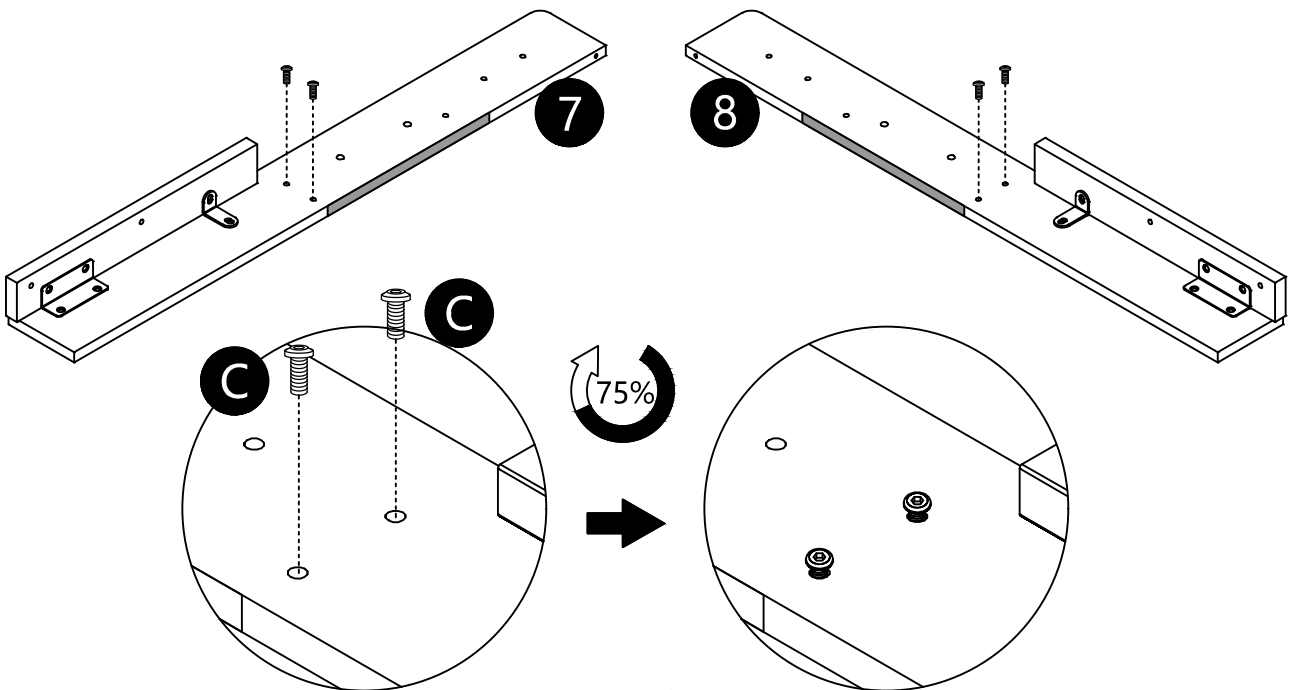


23

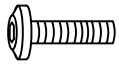
M8*20
CX4pcs

M8*15

M8*12



24



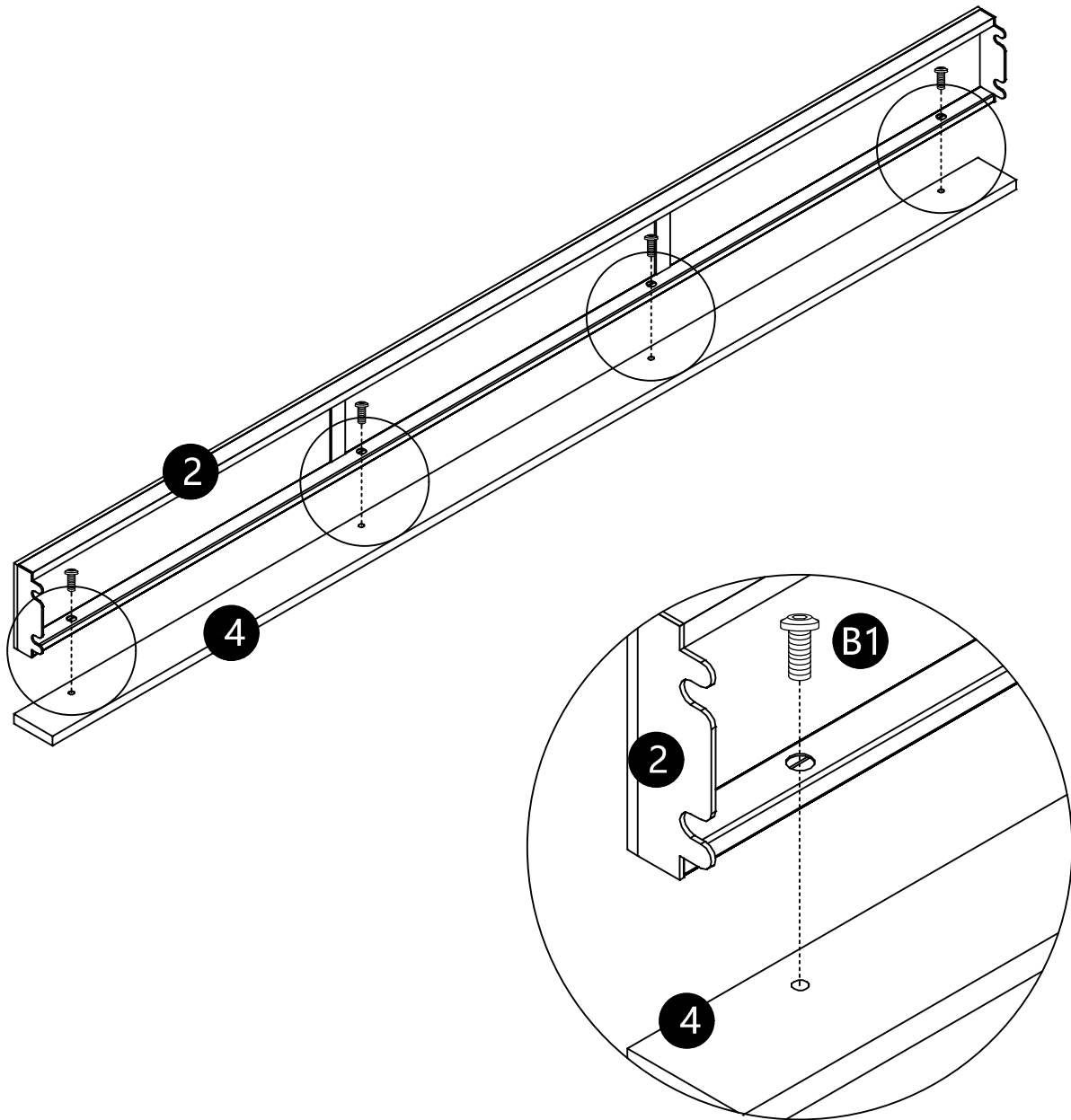
M6*20
B1X4pcs



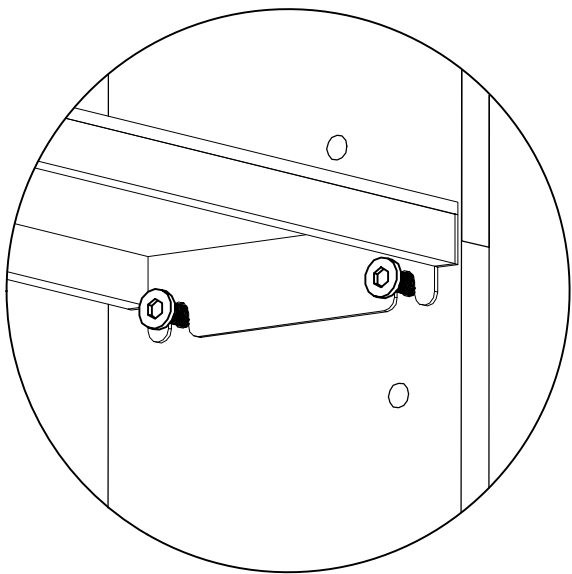
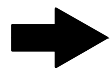
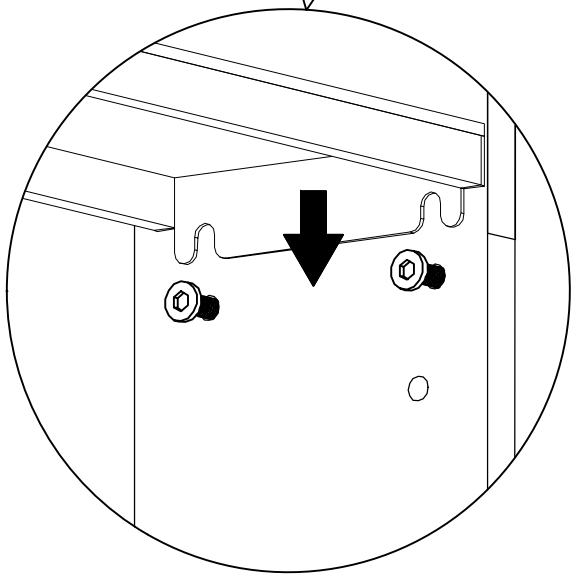
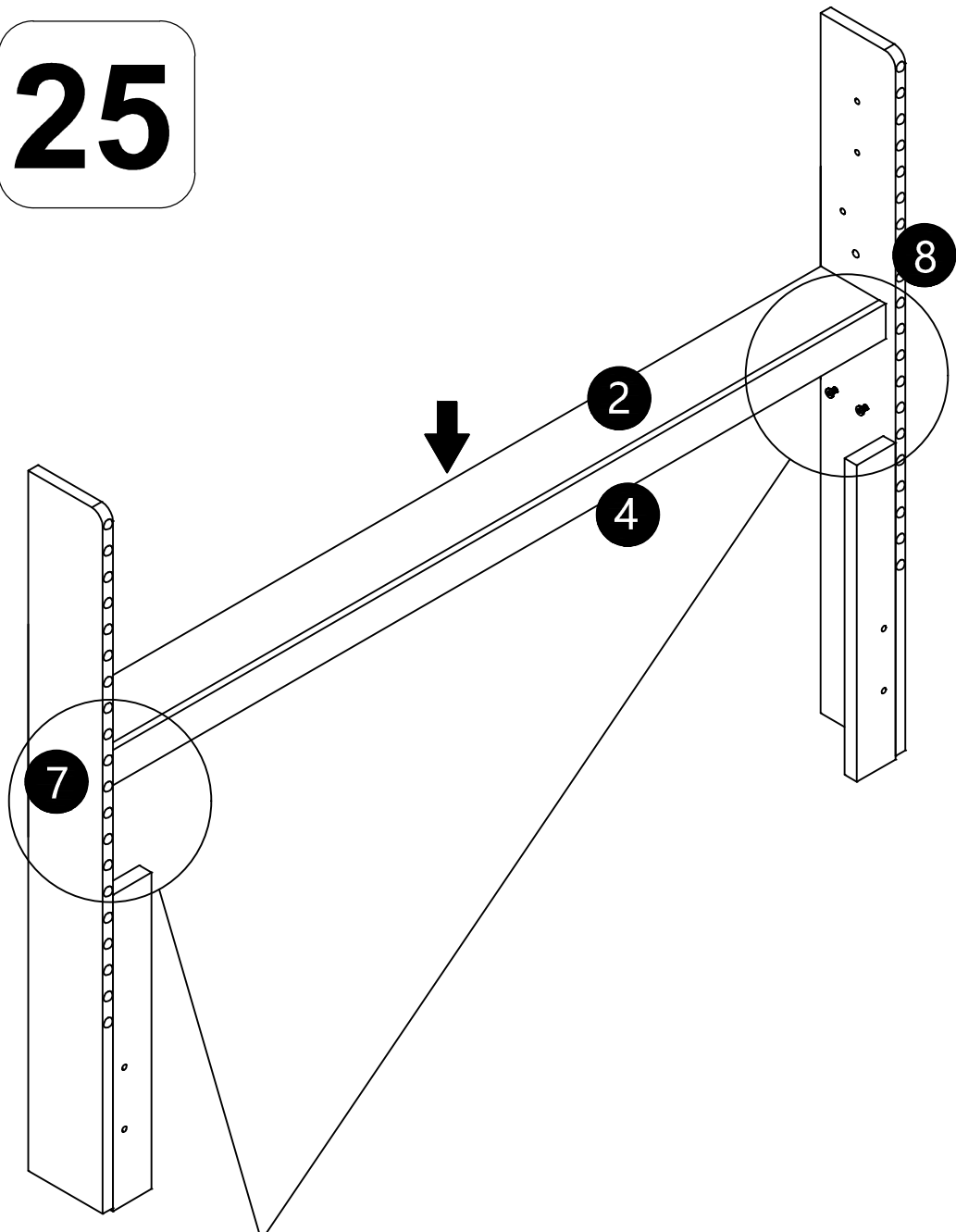
M6*12



M6*15



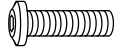
25



26



M8*20
CX2pcs



M8*30
DX4pcs



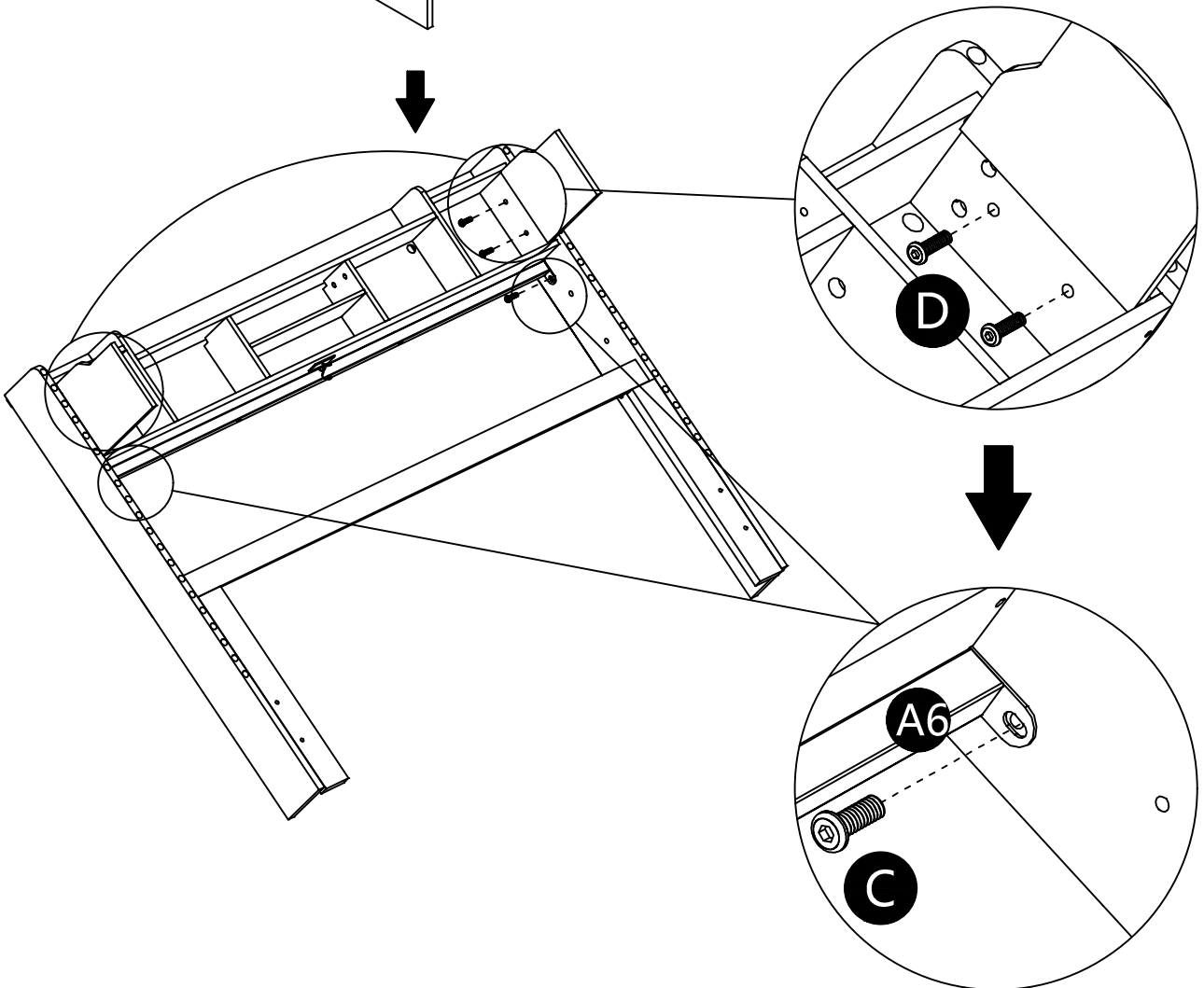
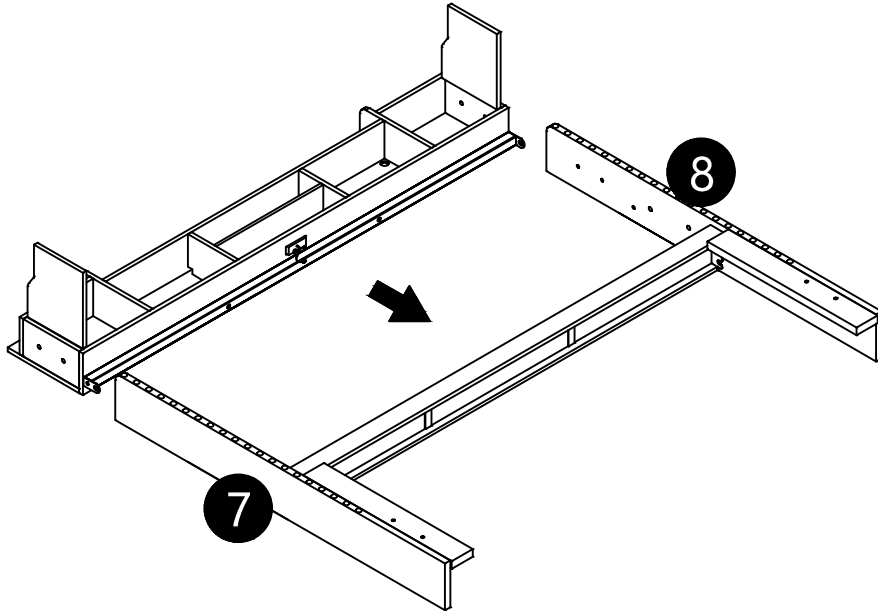
M8*35



M8*15



M8*12



27



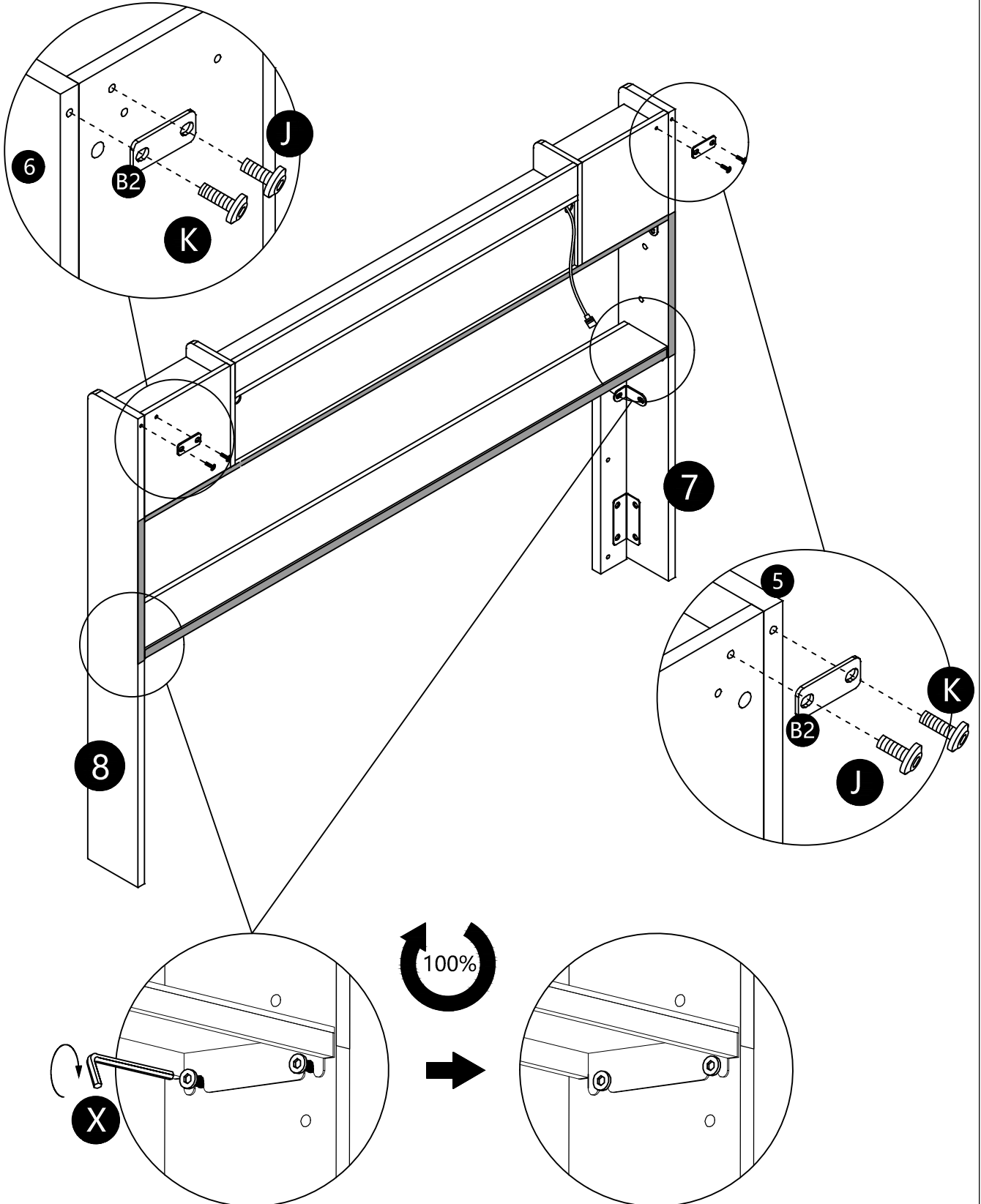
M6*12
JX2pcs



M6*15
KX2pcs



~~M6*34~~



28



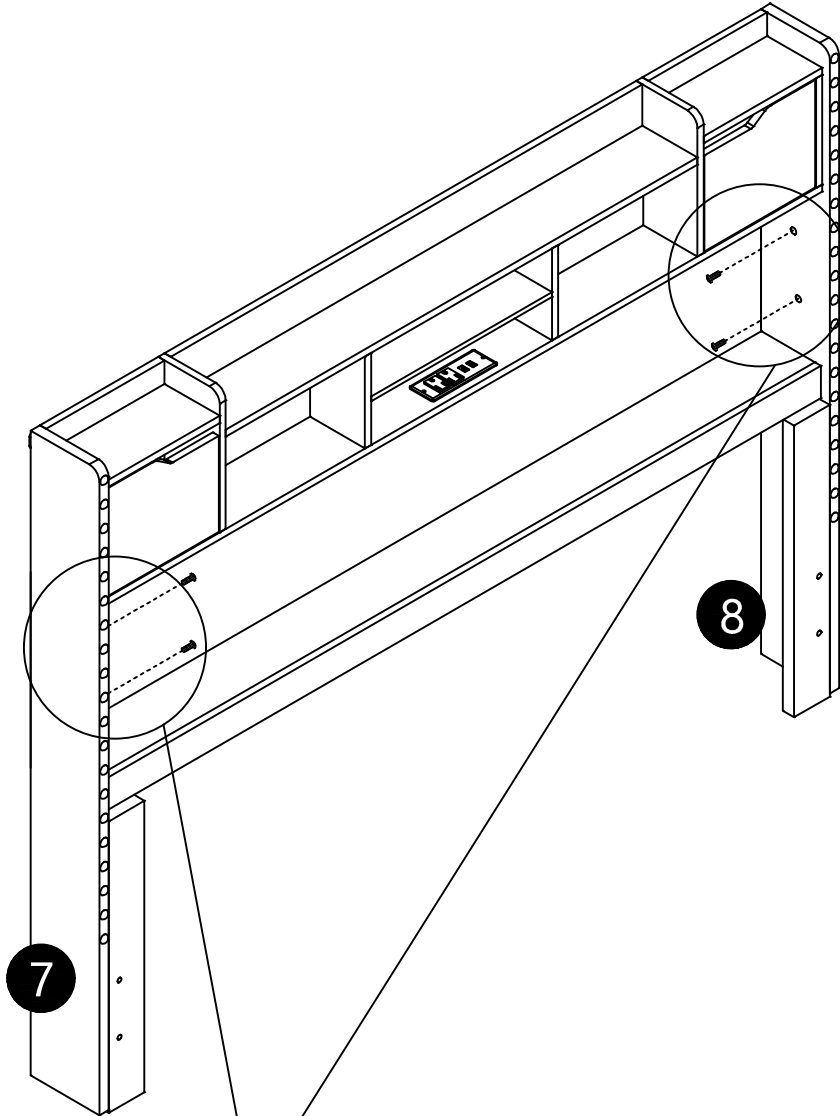
M8*20
CX4pcs



M8*15

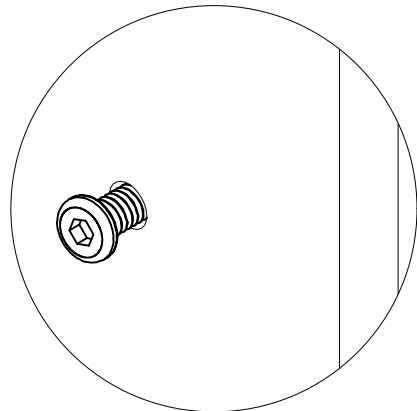
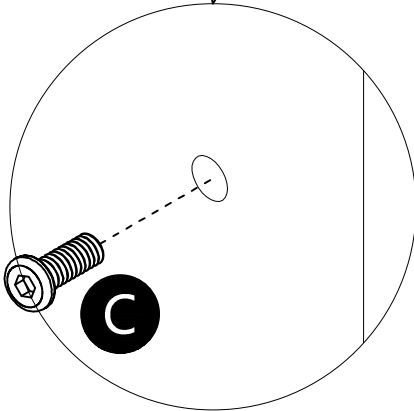


M8*12



7

8

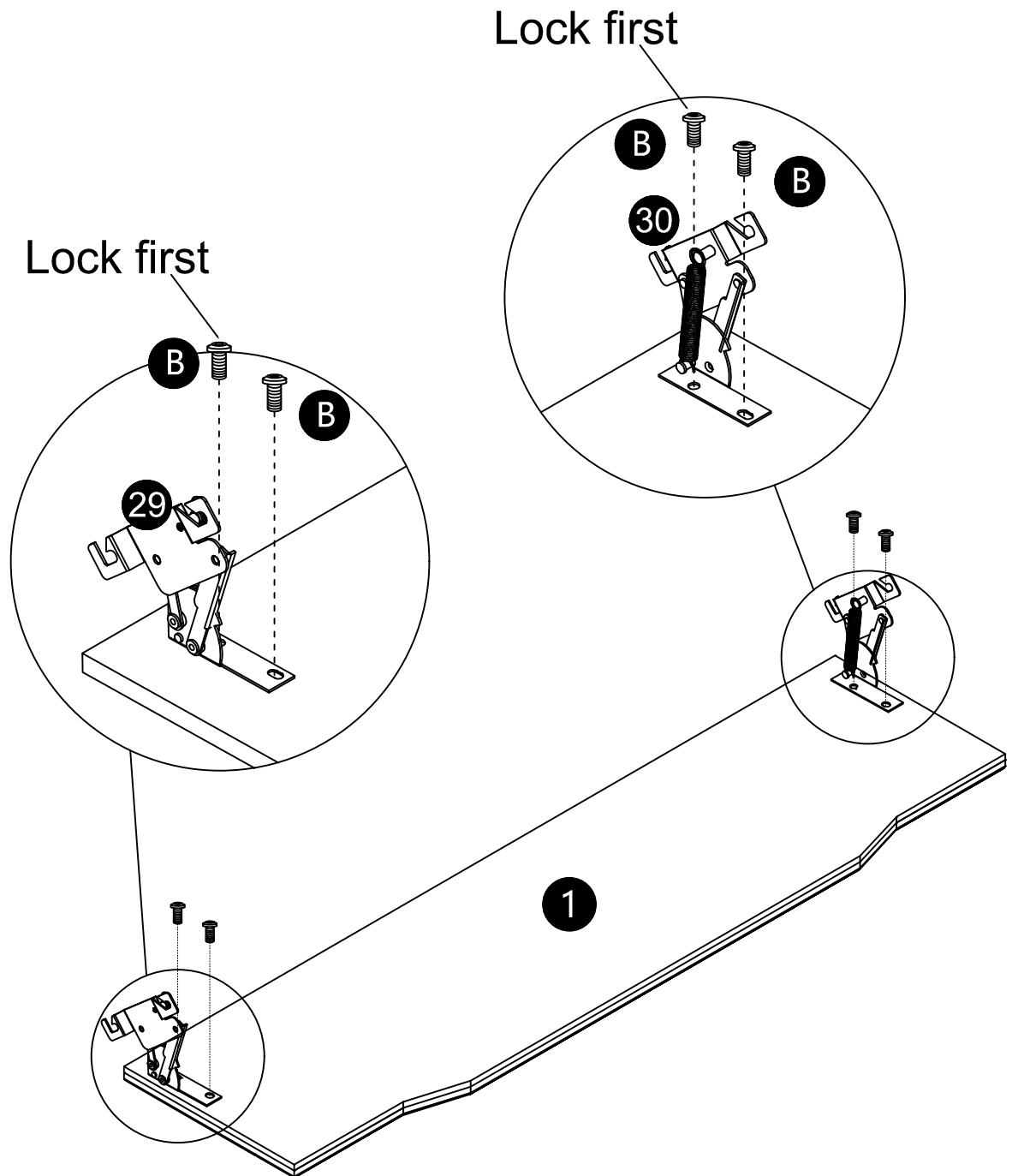


29

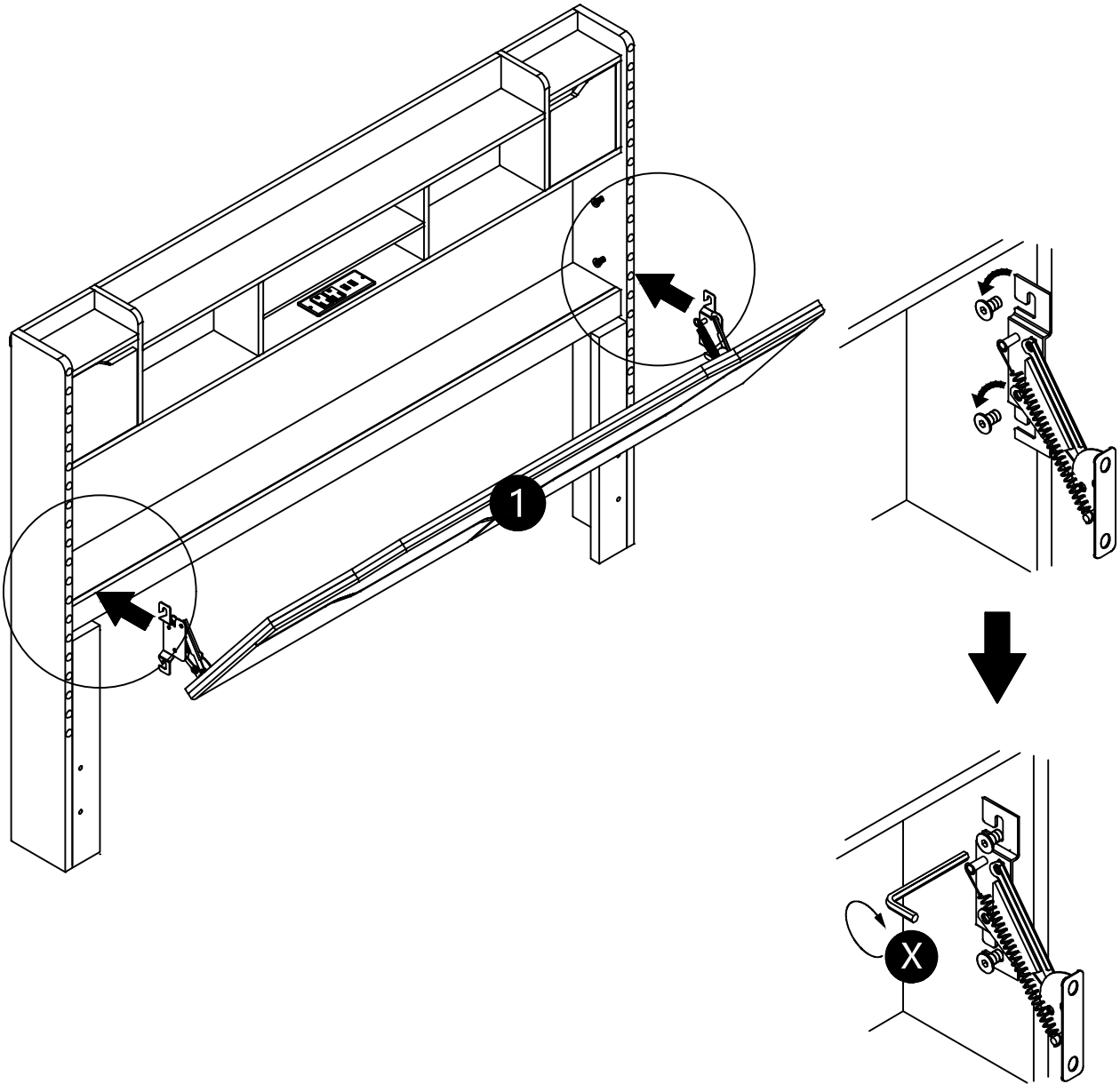
M8*15
BX4pcs

M8*20

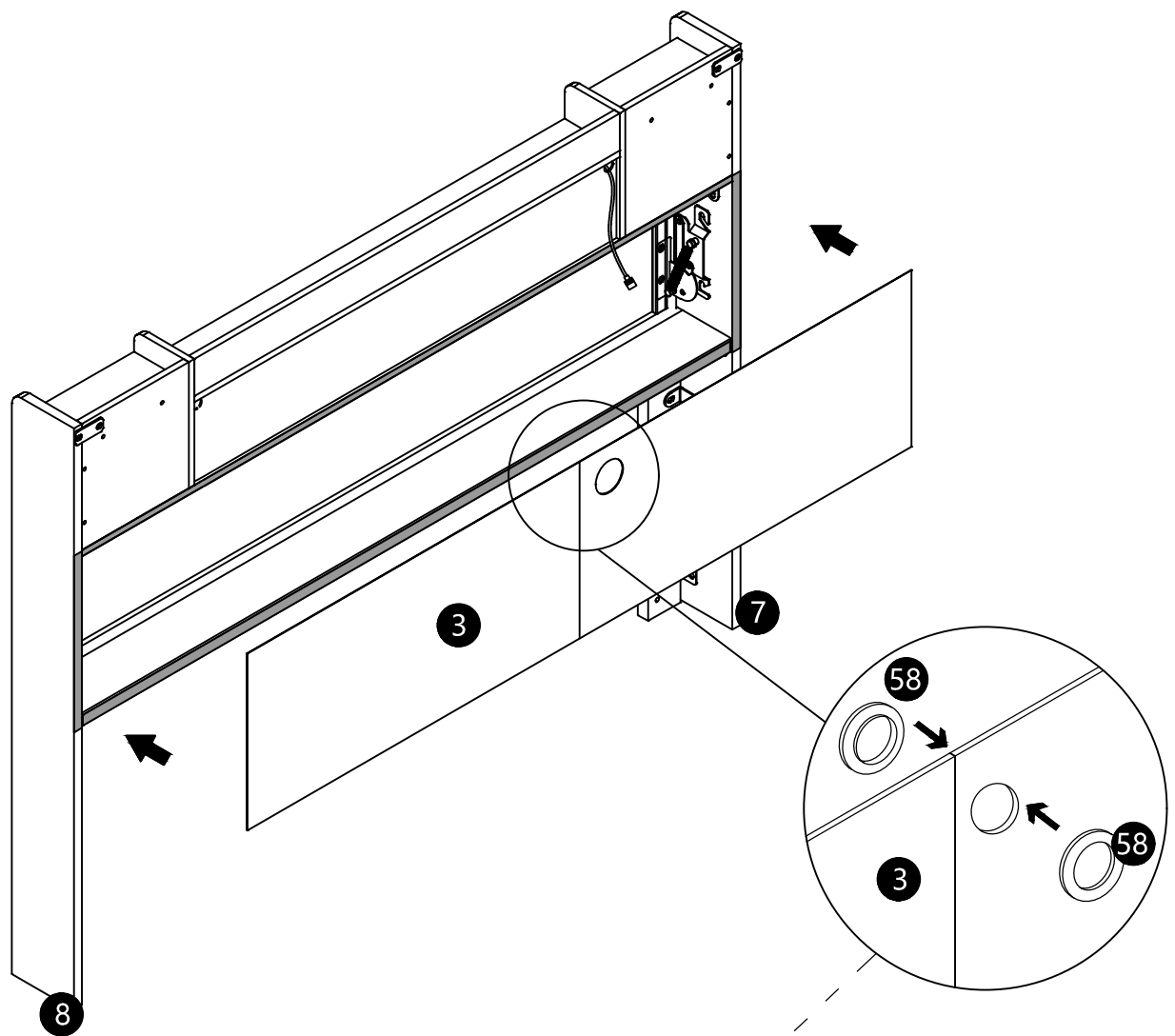
M8*12



30



31



NO.1 Open accessory(58)

NO.2 Place them separately on
the front and back of the (3)
hole and press them tightly

32



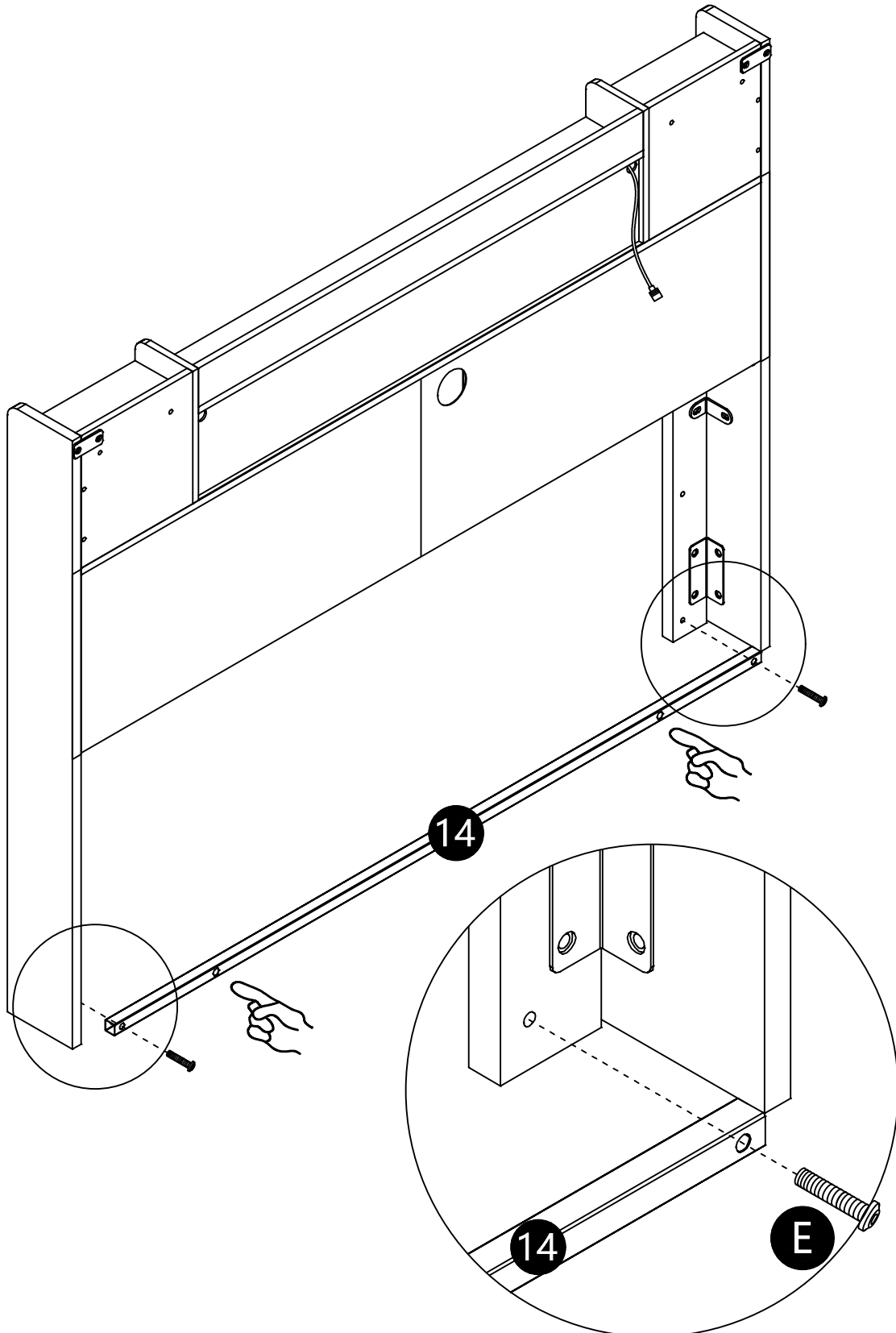
M8*35
EX2pcs



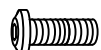
M8*45



M8*30



33



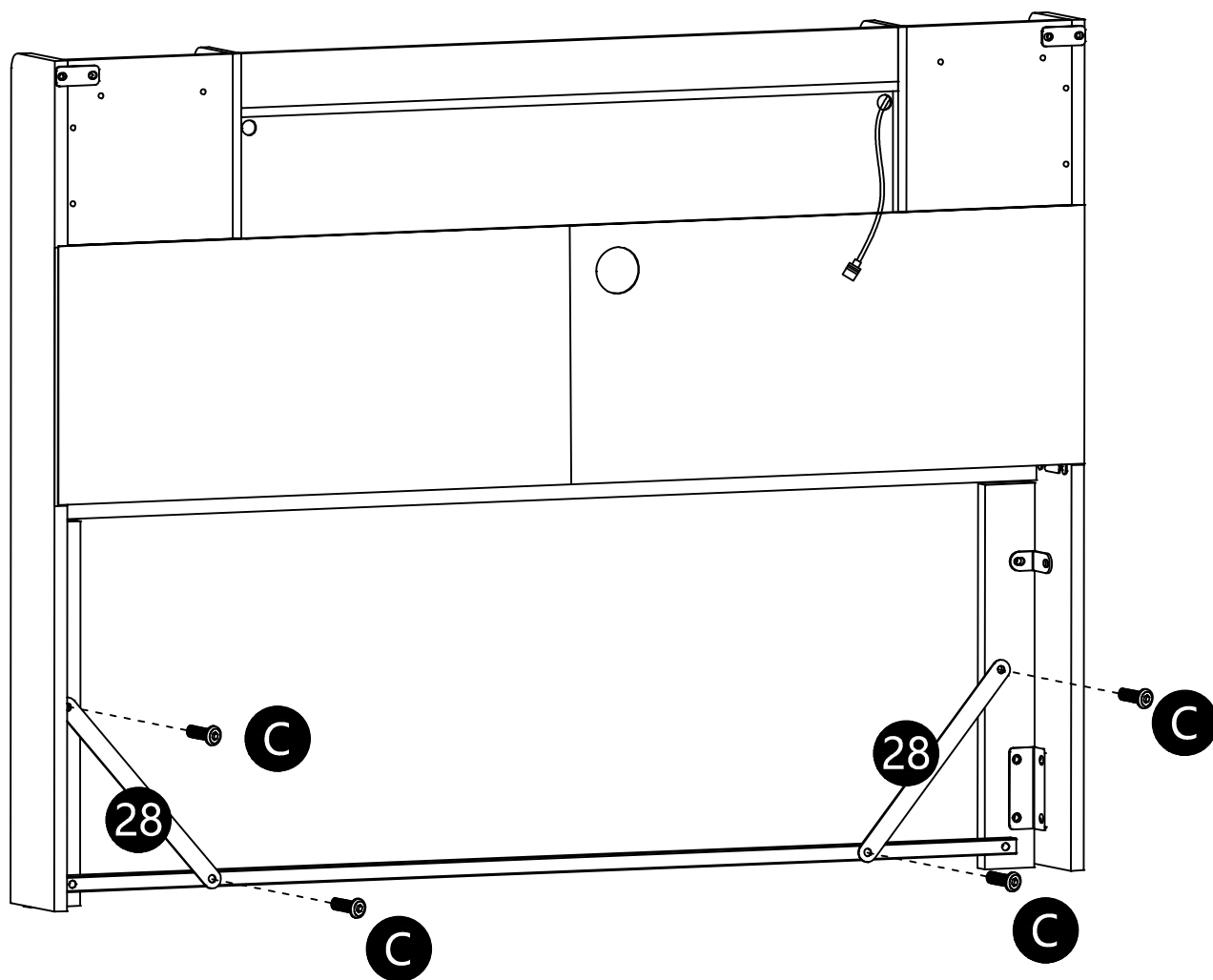
M8*20
CX4pcs



M8*15



M8*12

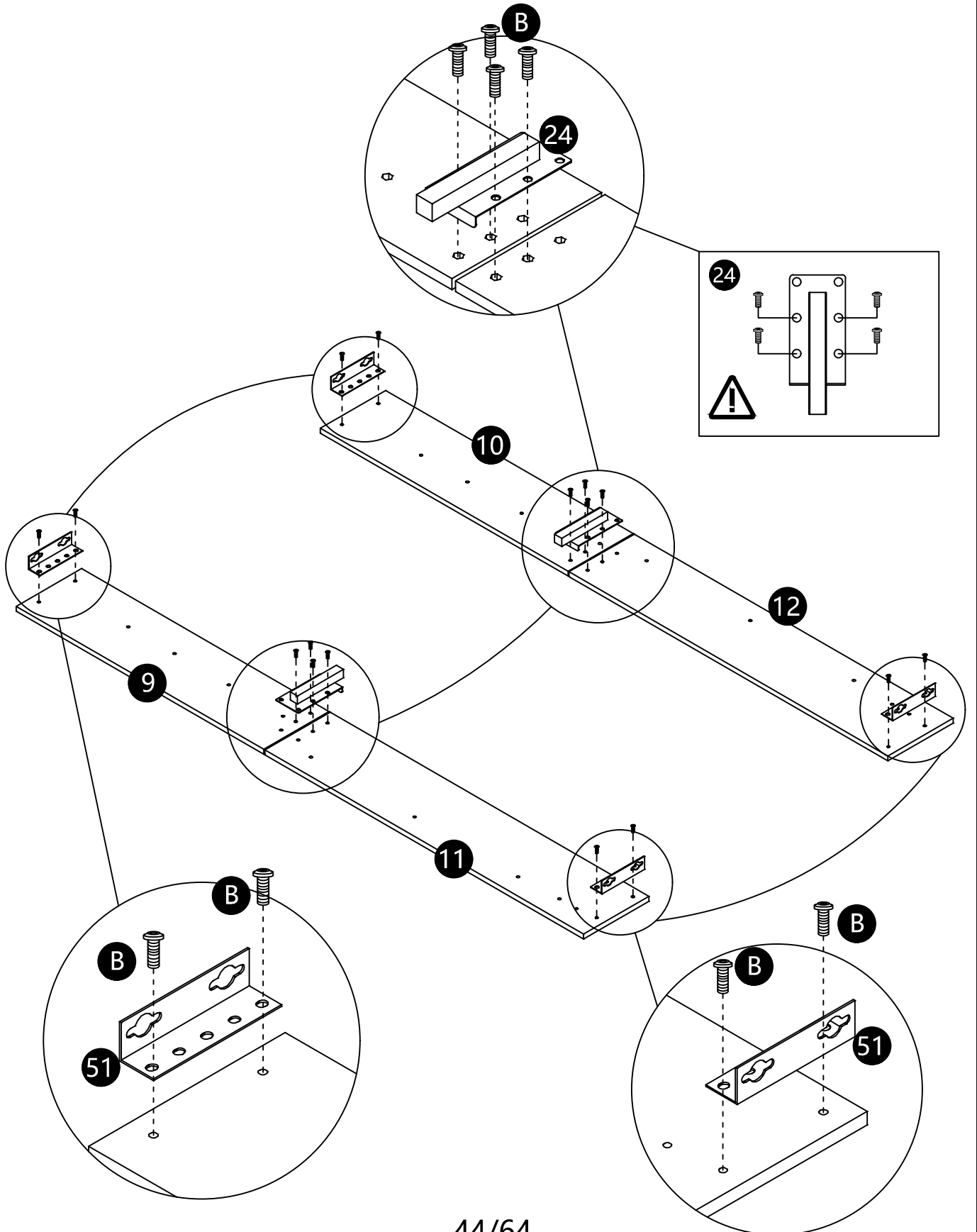


34

M8*15
BX16pcs

M8*20

M8*12



35

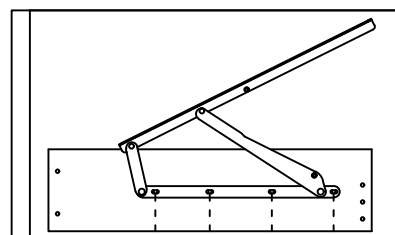
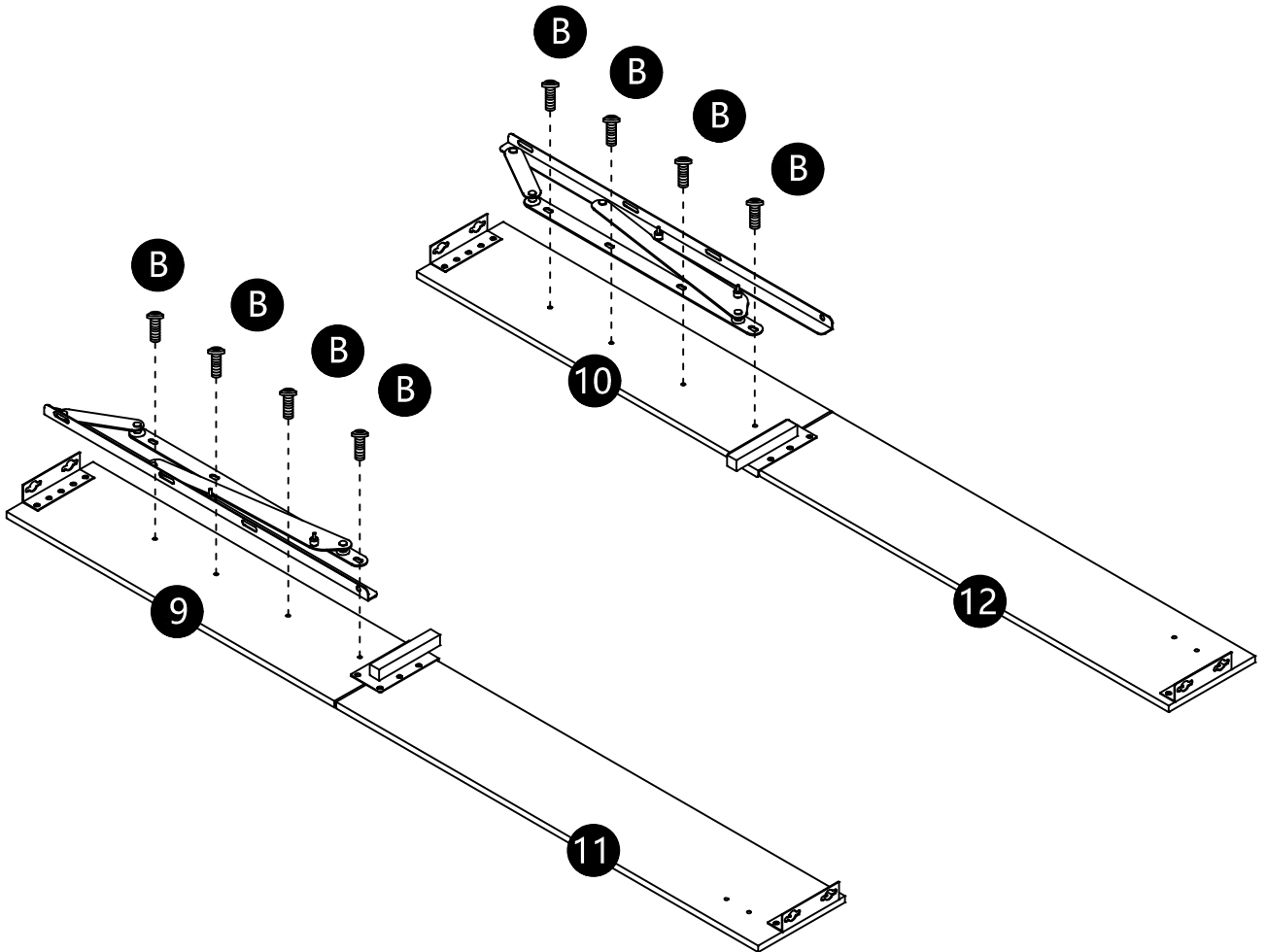
M8*15
BX8pcs



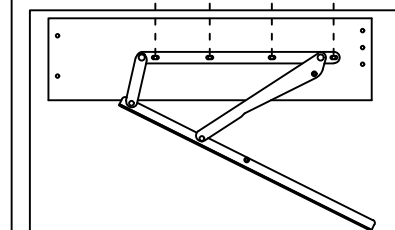
M8*20



M8*12

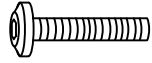


R

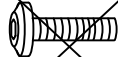


L

36



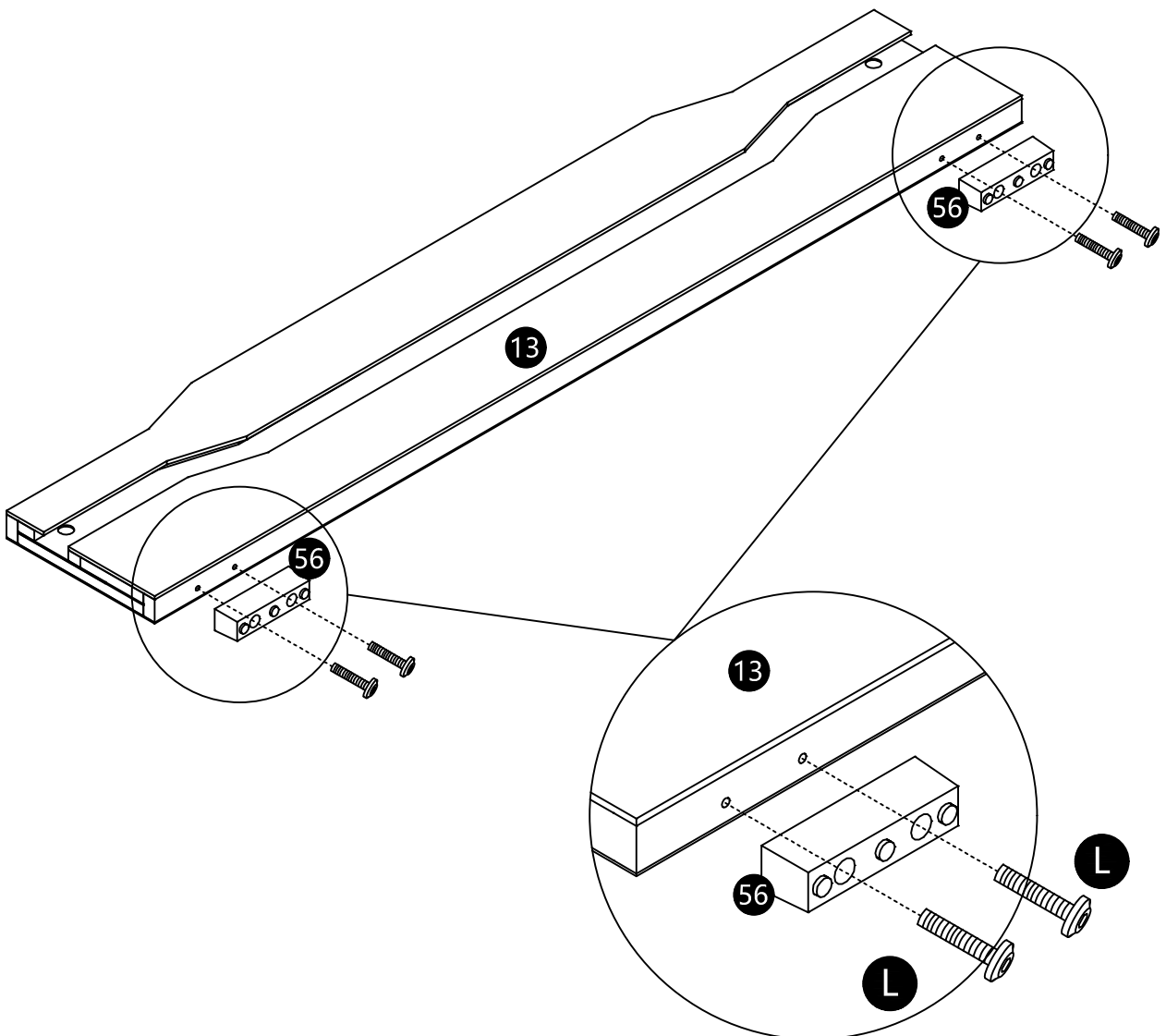
M6*34
LX4pcs



M6*20



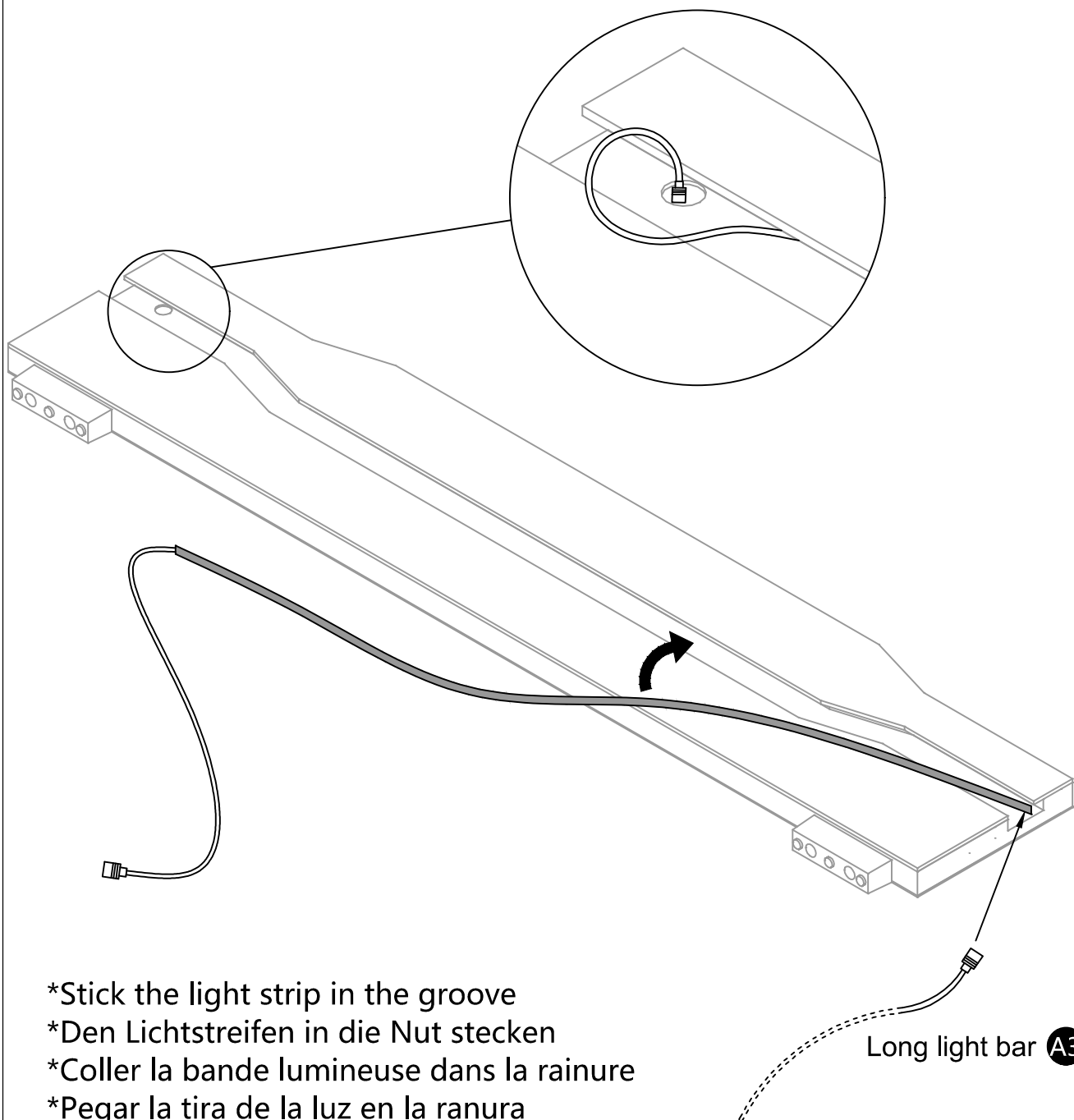
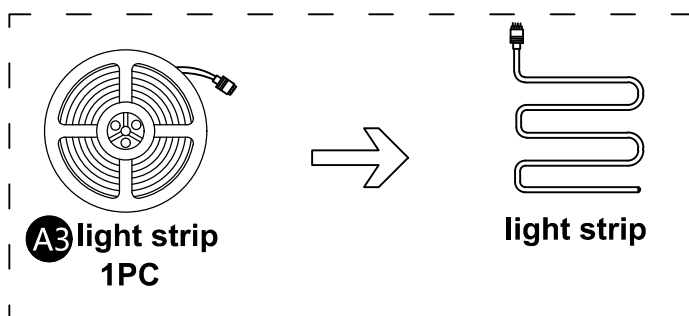
M6*15



37



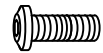
Long light bar
A3X1pc



- *Stick the light strip in the groove
- *Den Lichtstreifen in die Nut stecken
- *Coller la bande lumineuse dans la rainure
- *Pegar la tira de la luz en la ranura
- *Inserire la striscia luminosa nella scanalatura

Long light bar **A3**

38



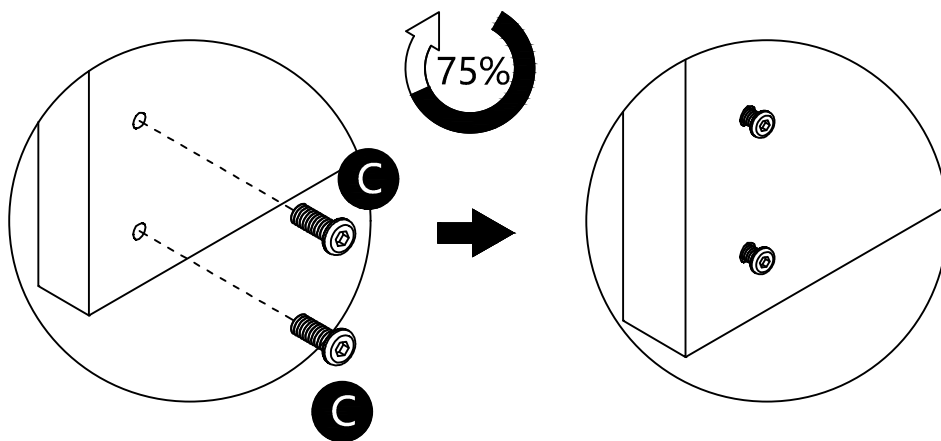
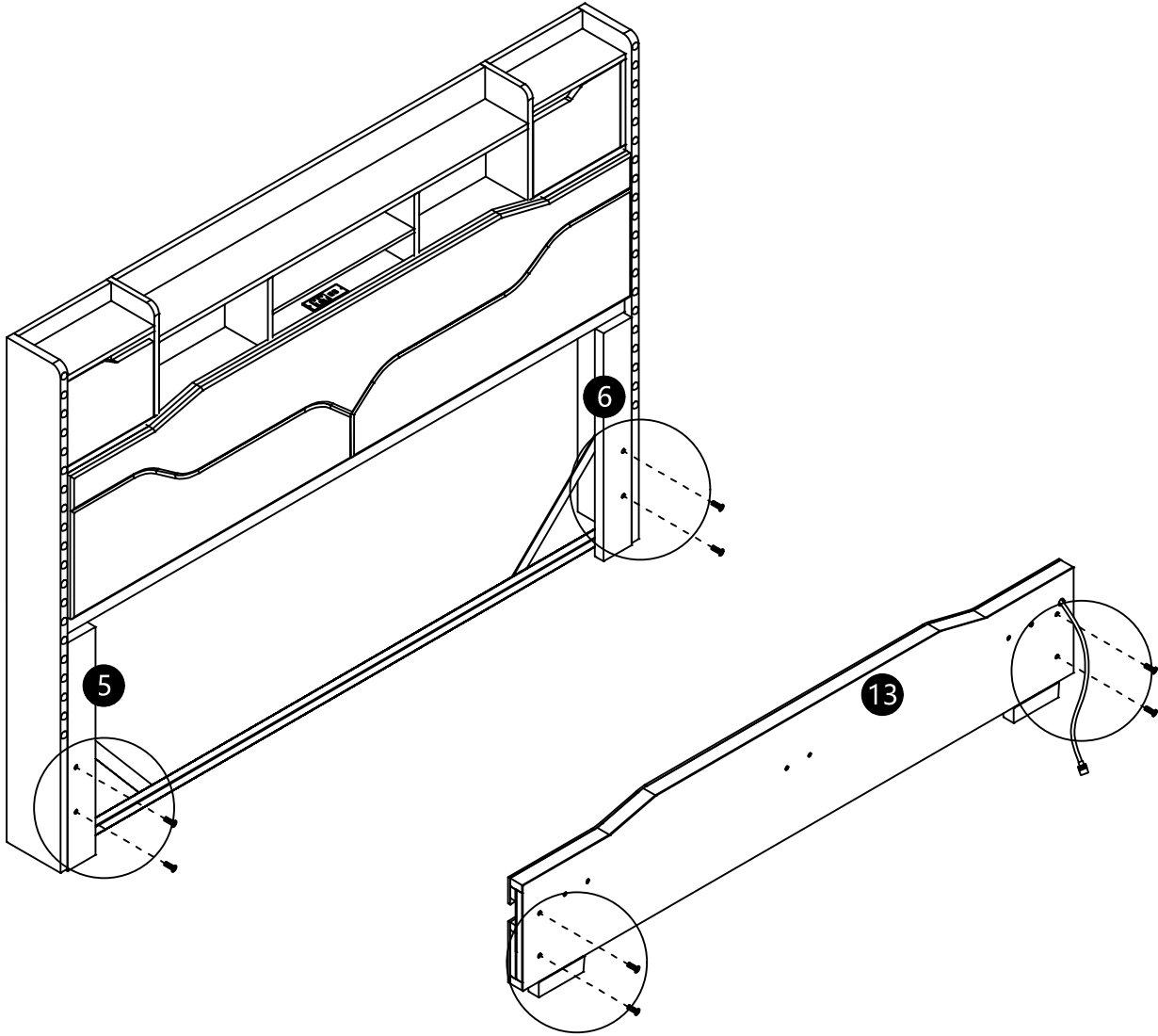
M8*20
CX8pcs



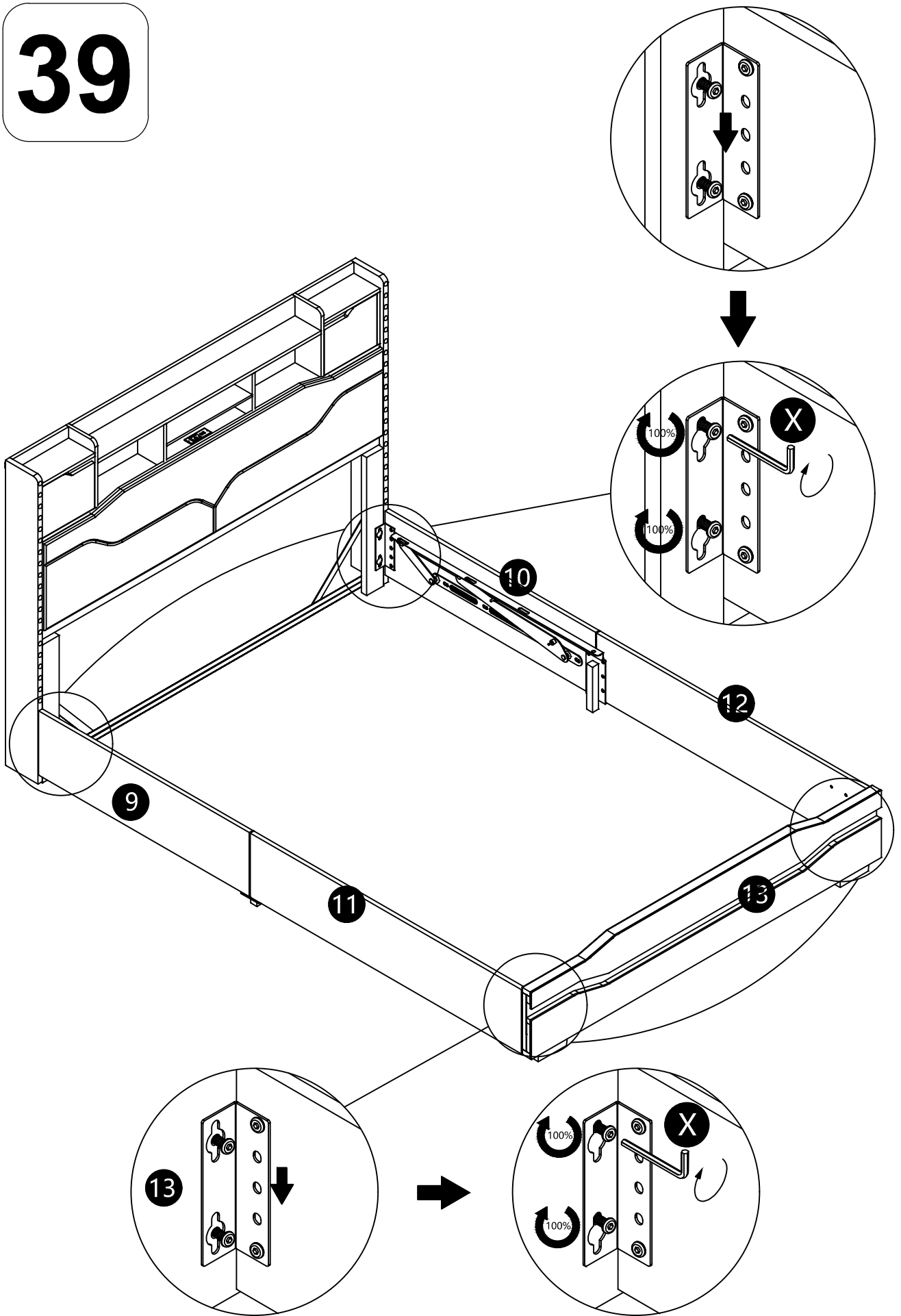
M8*15



M8*12



39



40



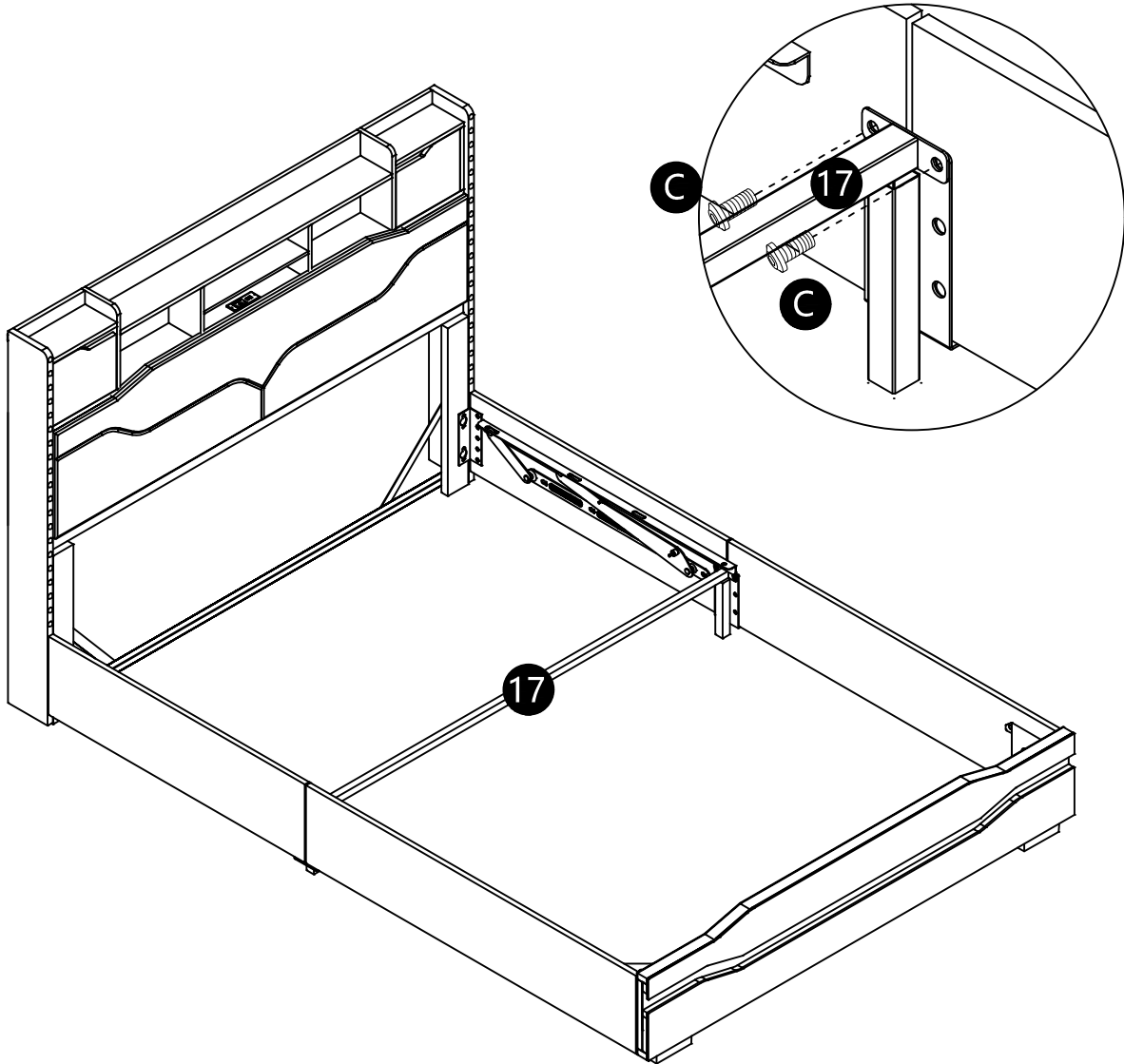
M8*20
CX4pcs



M8*15



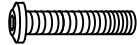
M8*12



41



M8*15
BX8pcs



M8*45
FX2pcs



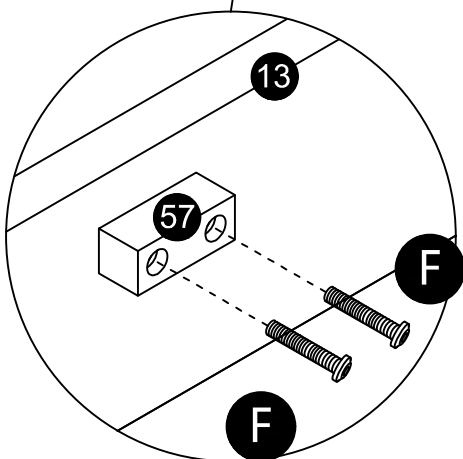
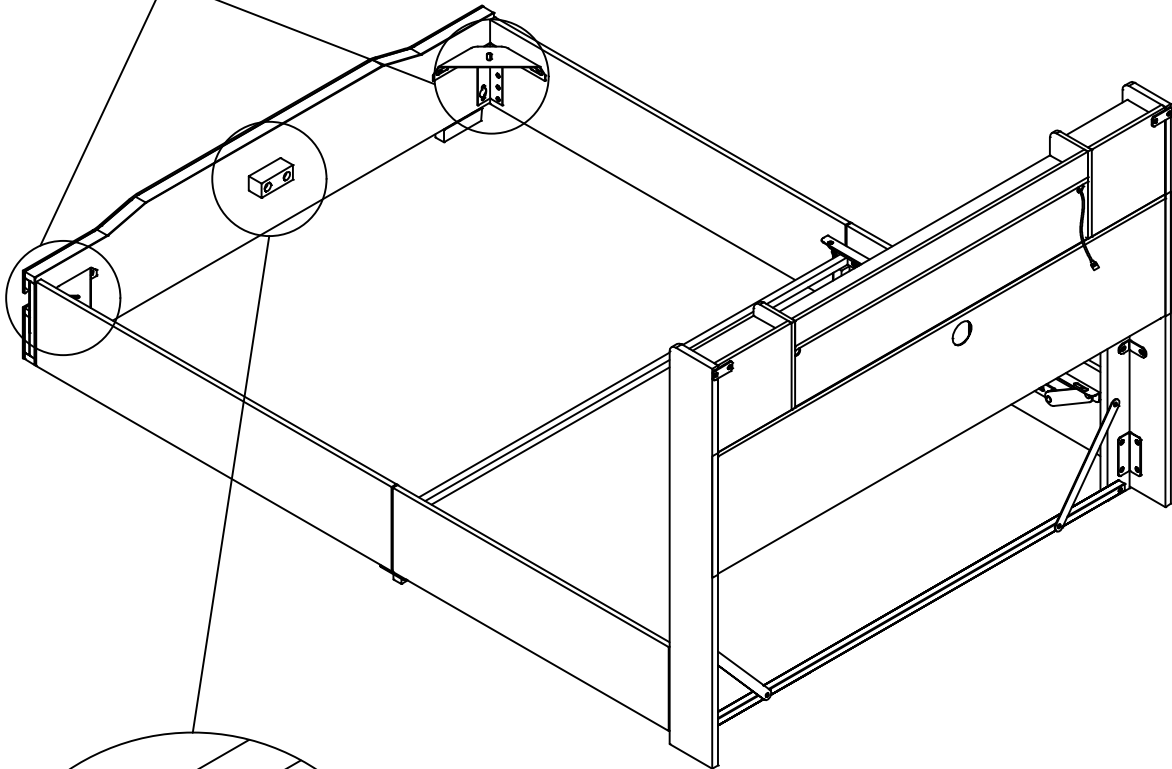
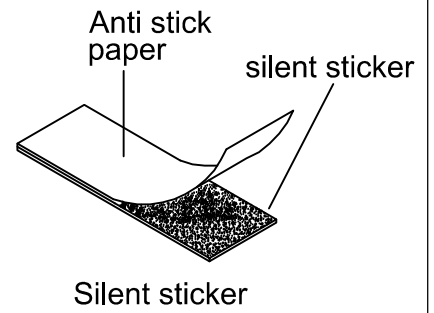
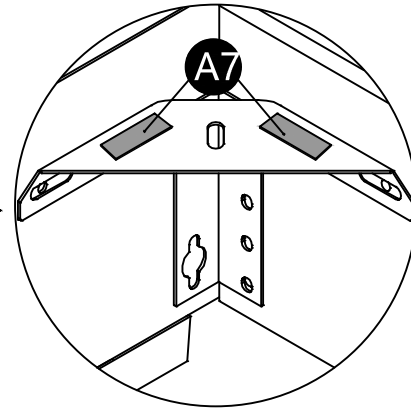
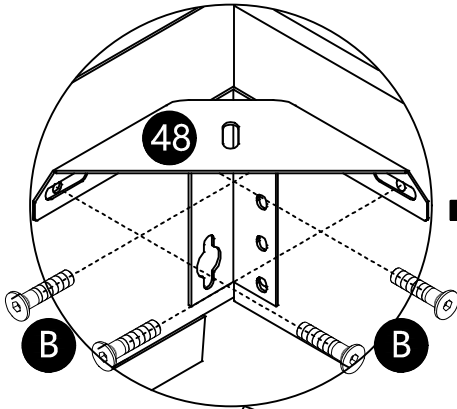
M8*50



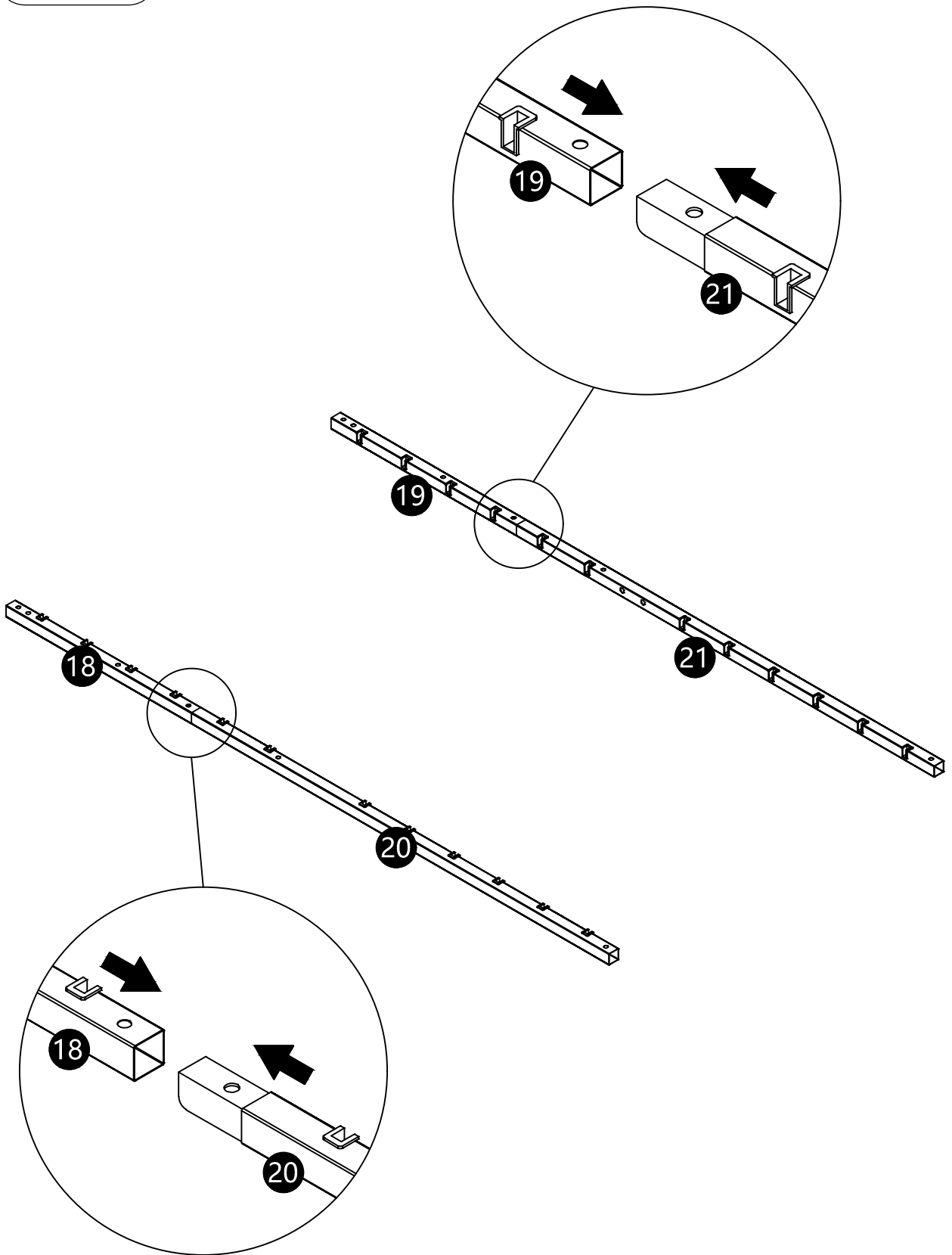
M8*20



M8*12



42



43



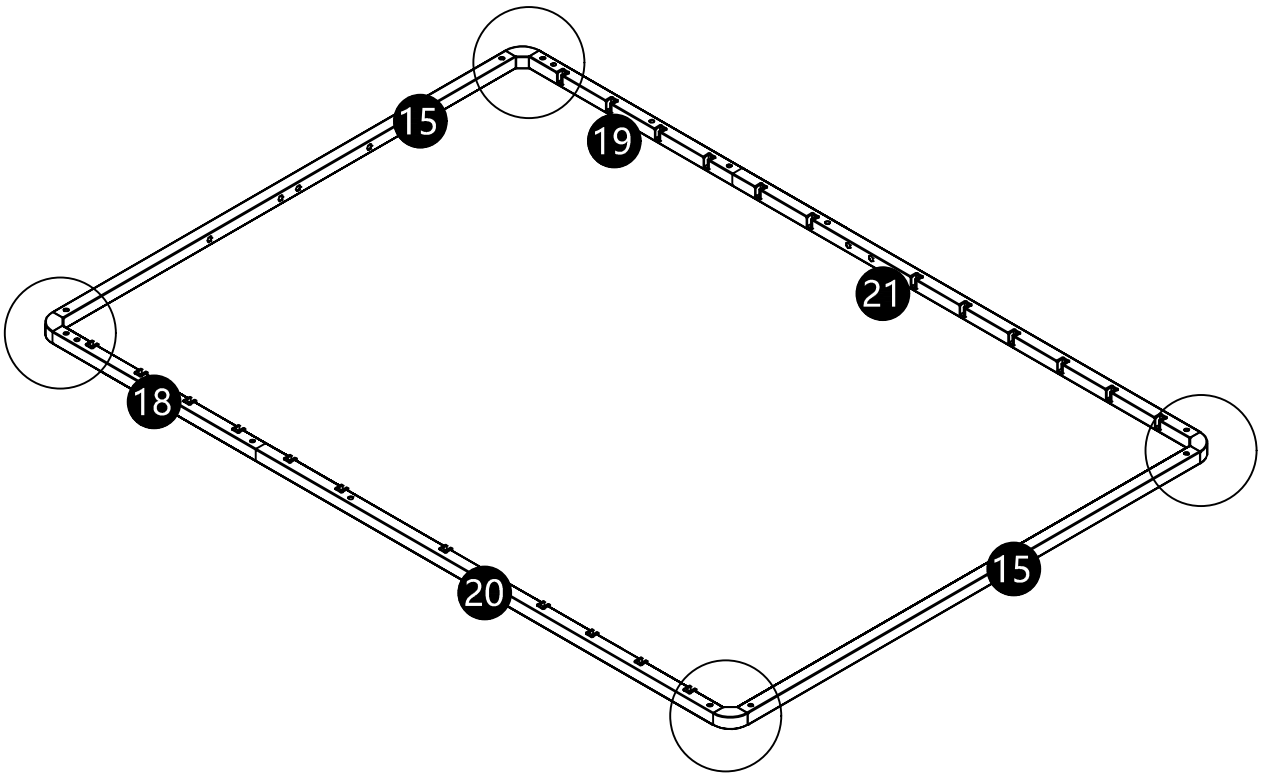
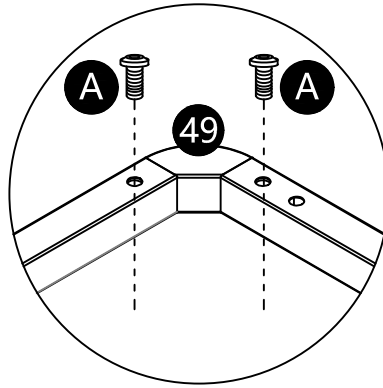
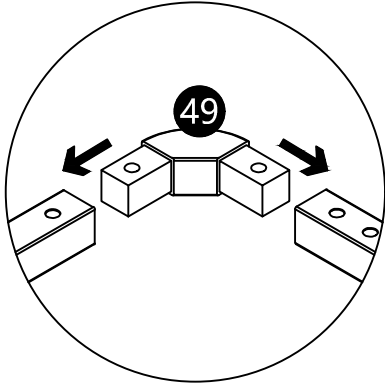
M8*12
AX8pcs



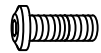
M8*20



M8*15



44



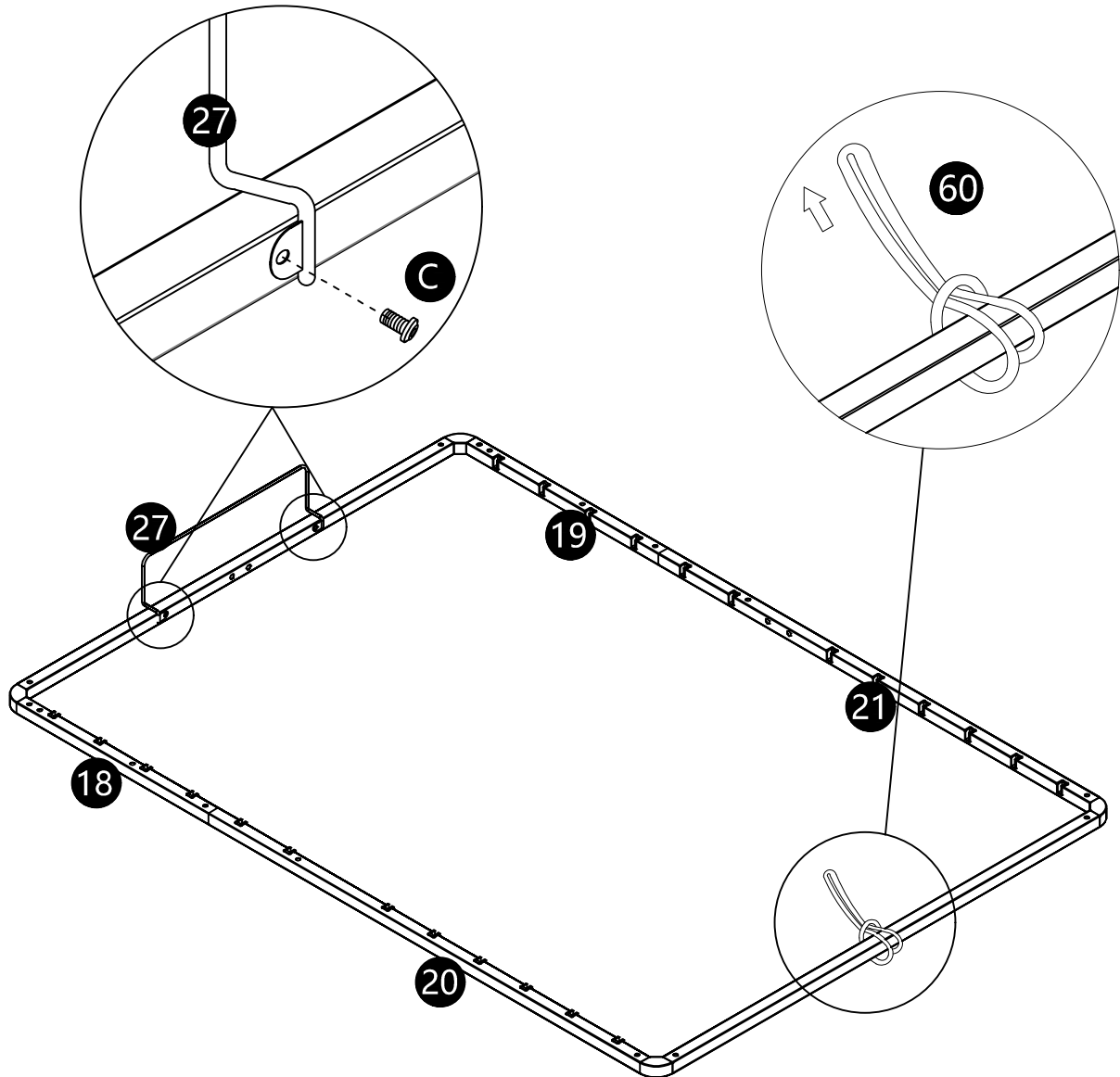
M8*20
CX2pcs



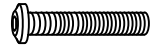
M8*15



M8*12



45



M8*50
GX2pcs



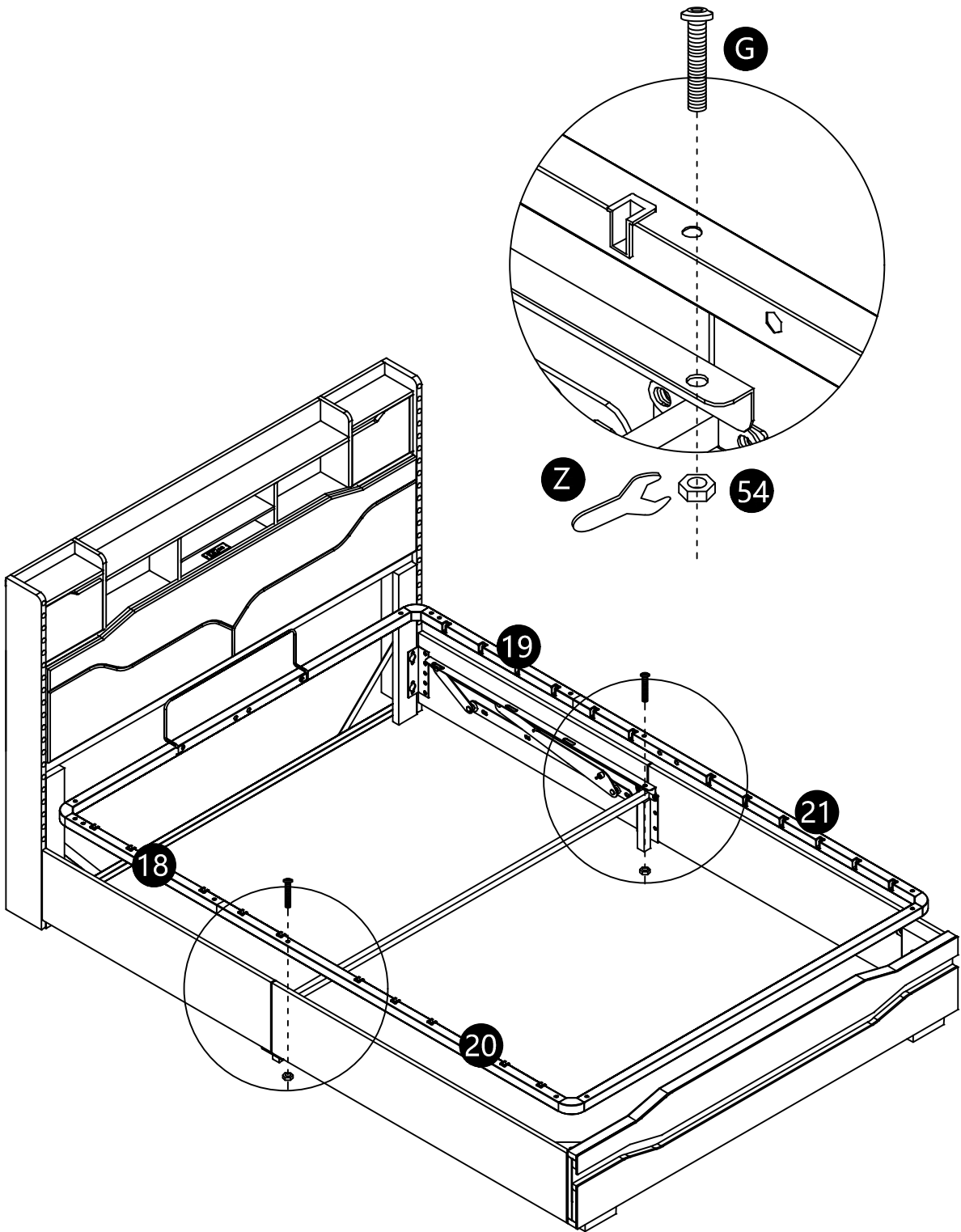
M8
54X2pcs



M8*55



M8*45



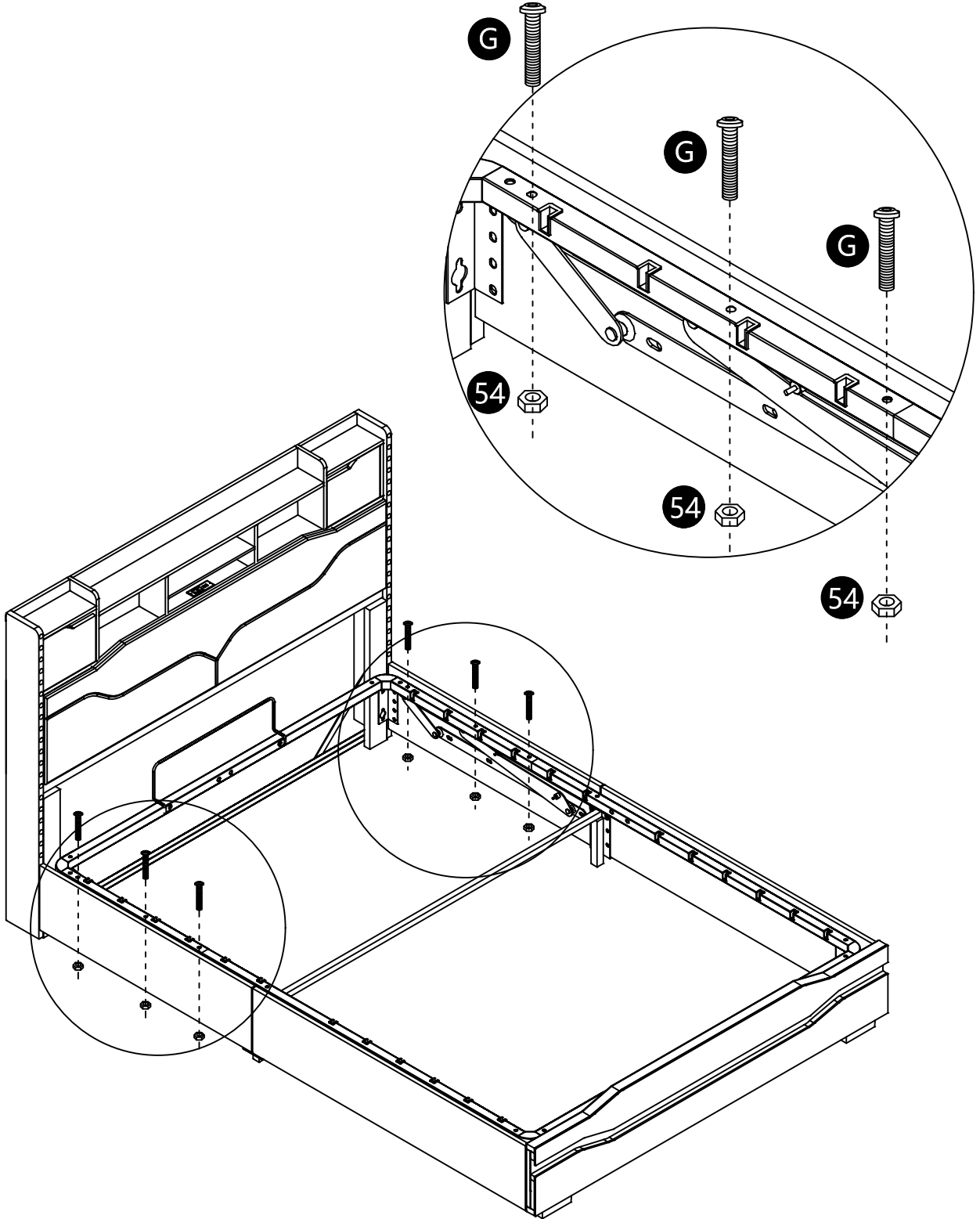
46

M8*50
GX6pcs

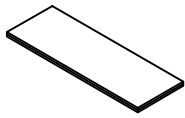
M8
54X6pcs

~~M8*55~~

~~M8*45~~

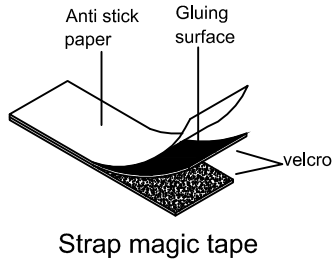


47

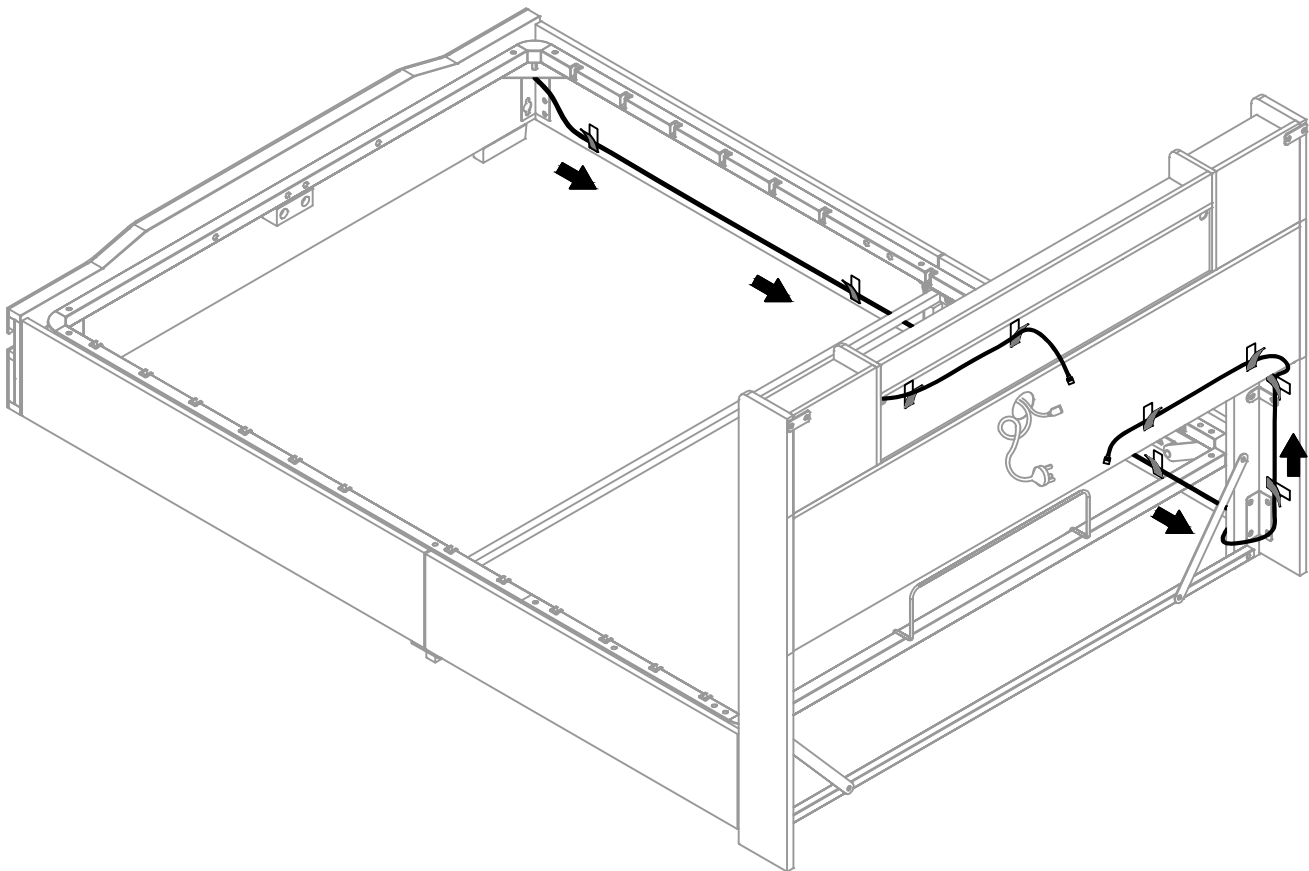


Strap magic tape

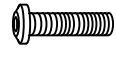
A8 10PCS



When the wires are disordered, tear off the anti stick paper, paste it on the place where the wires pass, and then bind the wires.



48



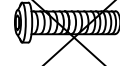
M8*35
EX4pcs



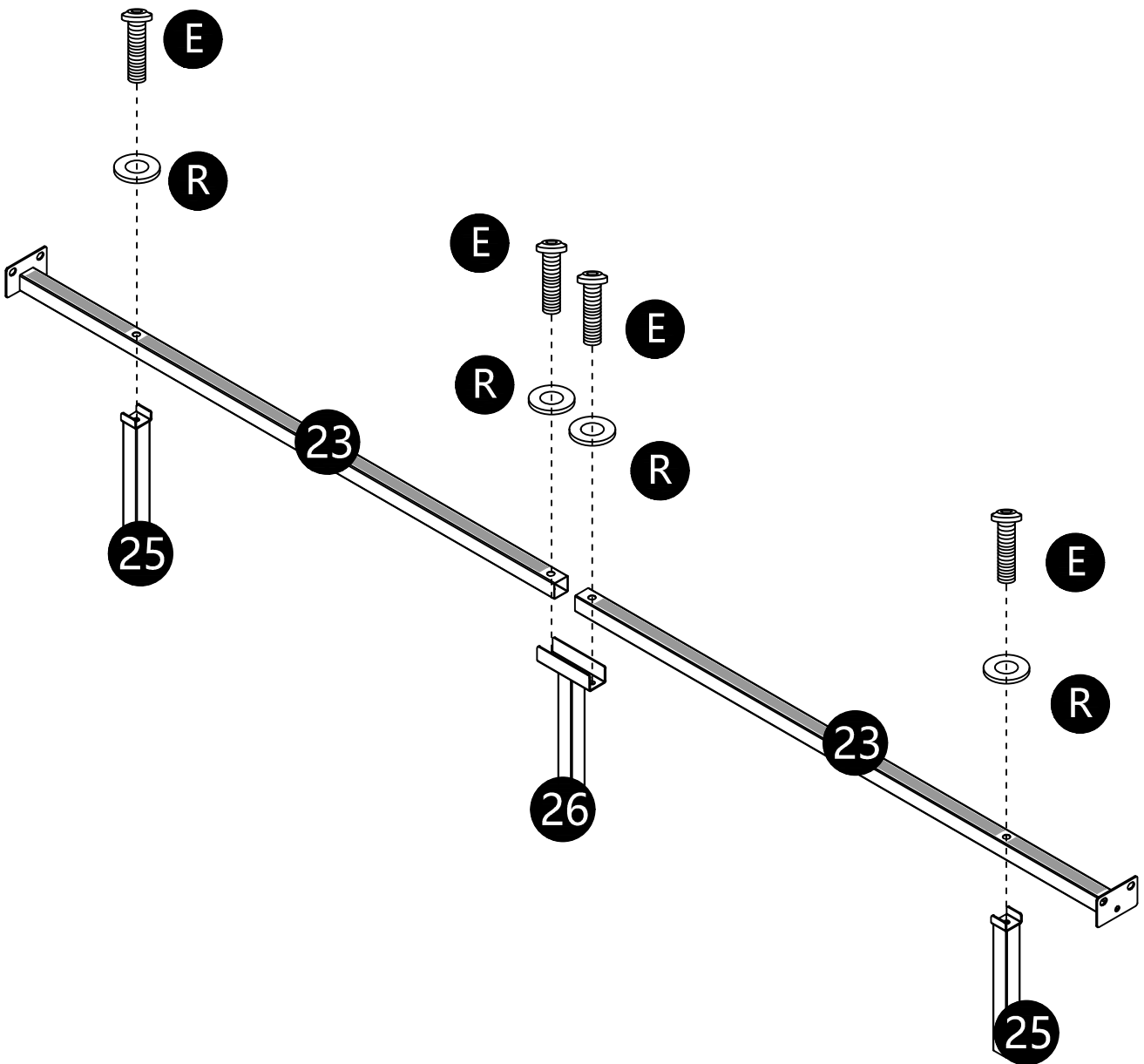
M8*φ22
RX4pcs



M8*45



M8*30



49



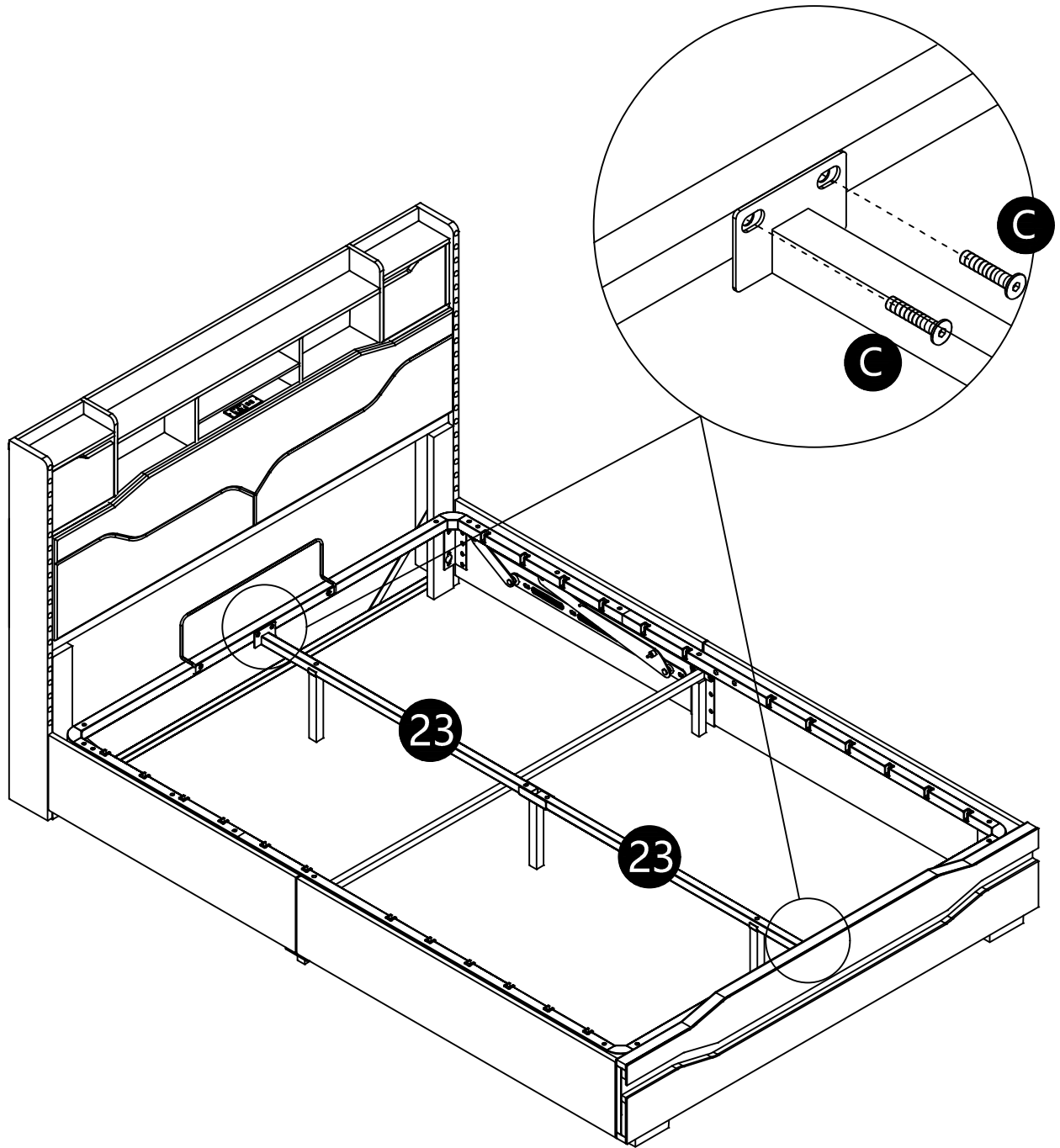
M8*20
CX4pcs



M8*15



M8*12



50



M8*20
CX2pcs



M8*55
HX1pcs



M8*φ22
RX1pc



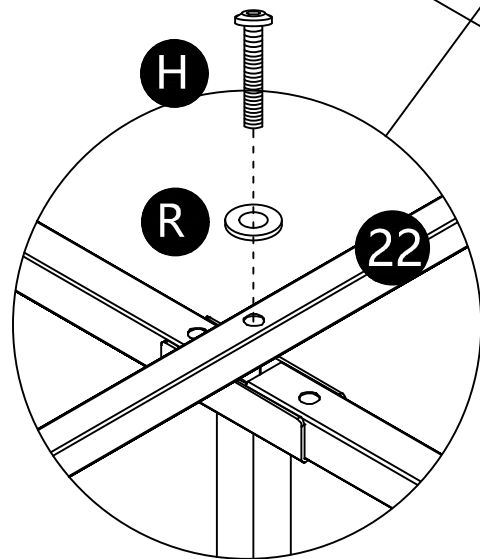
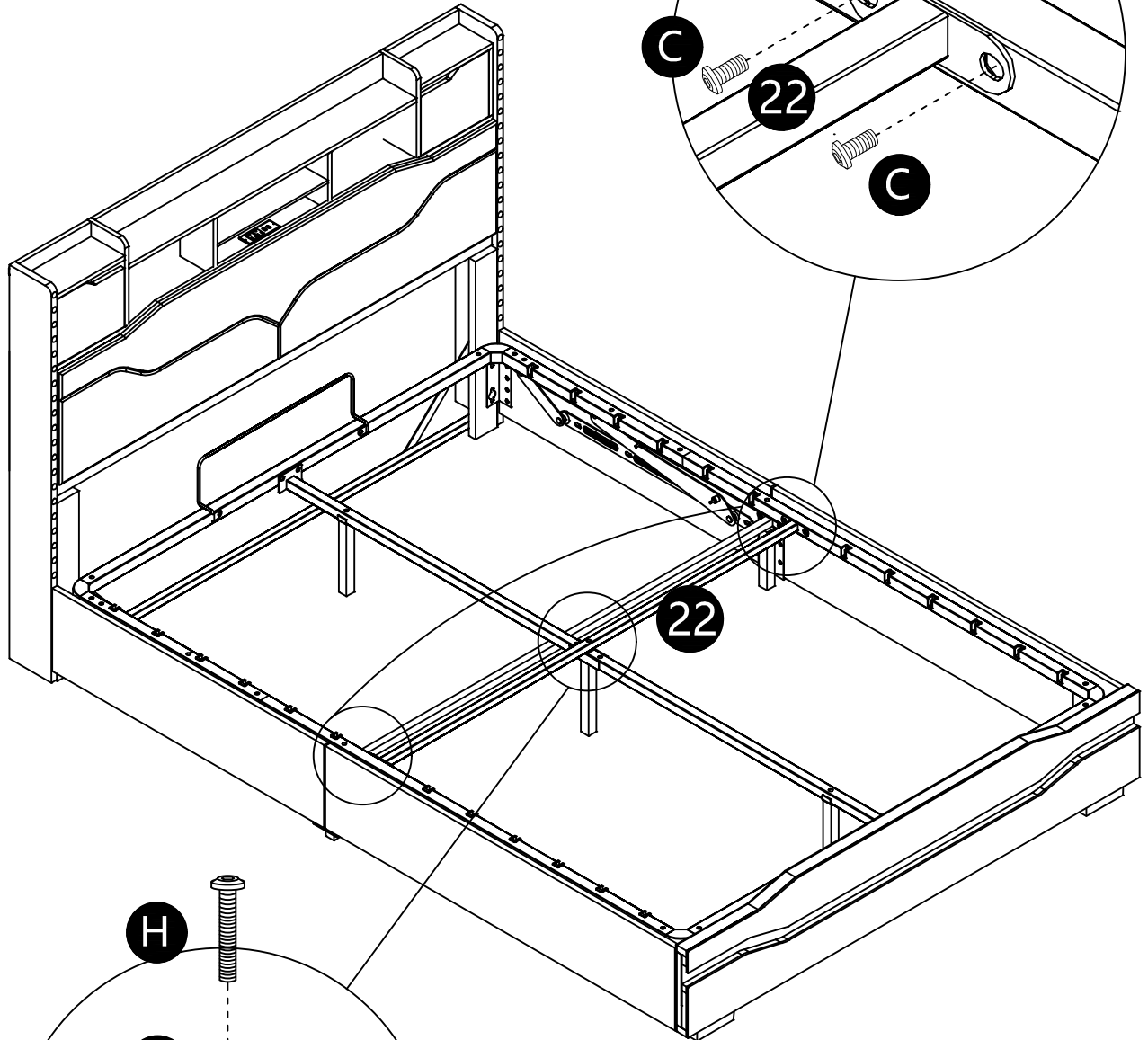
M8*50



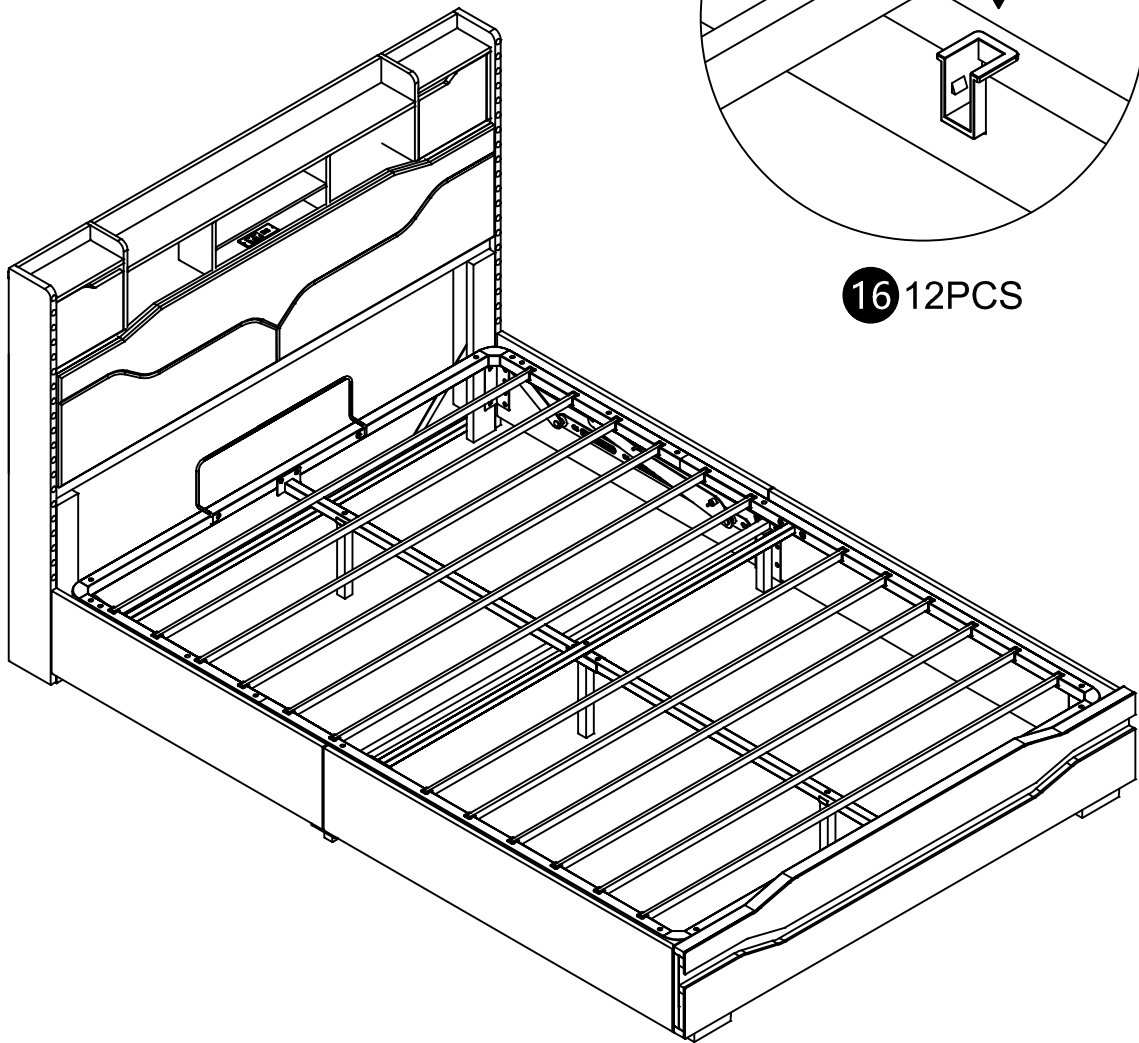
M8*15



M8*12



51

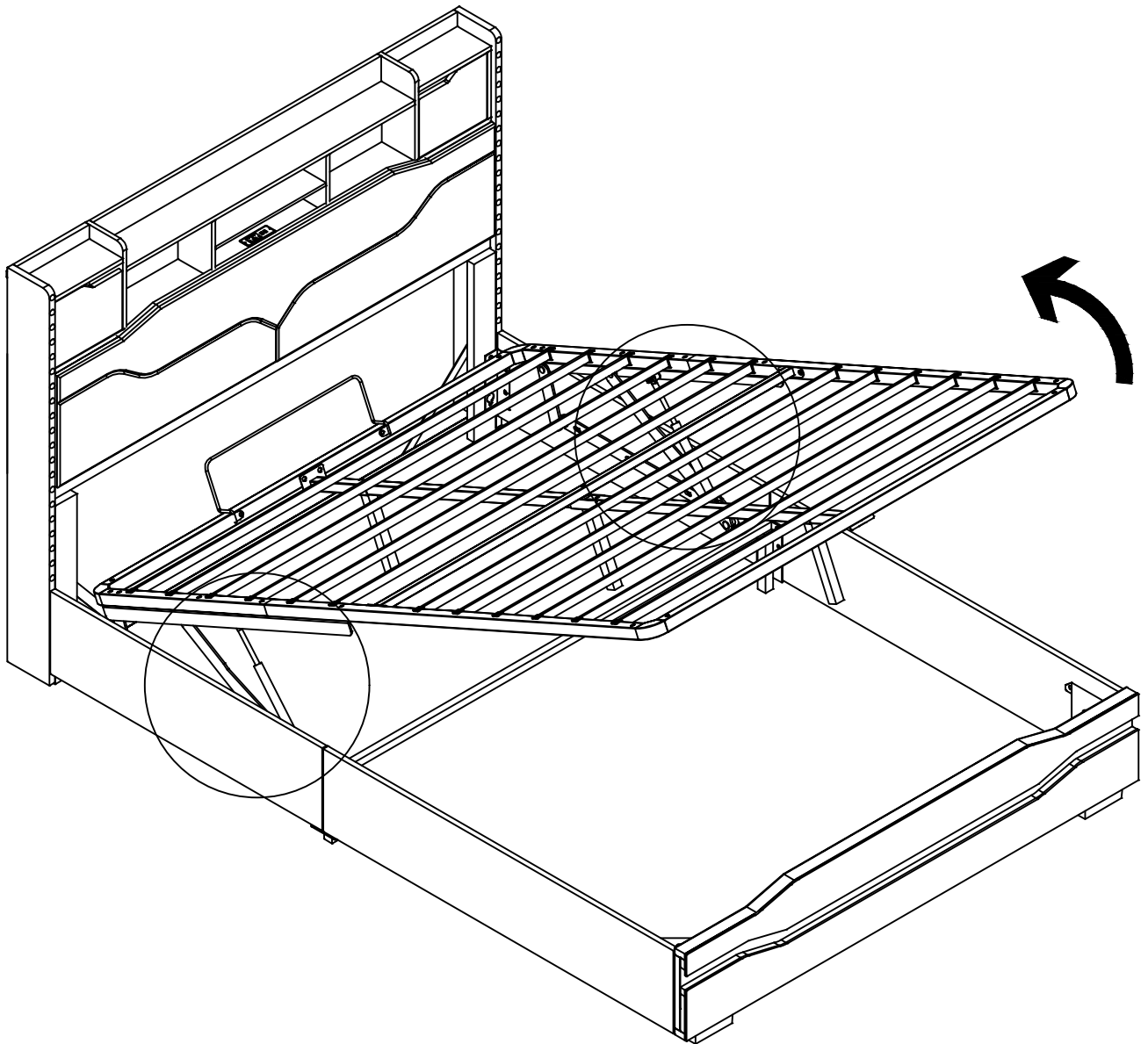
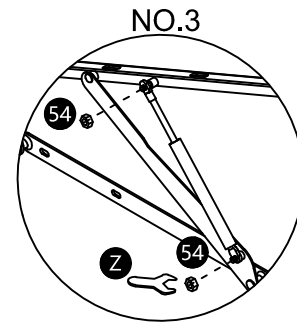
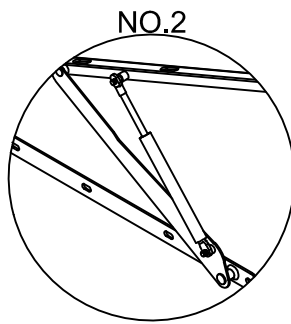
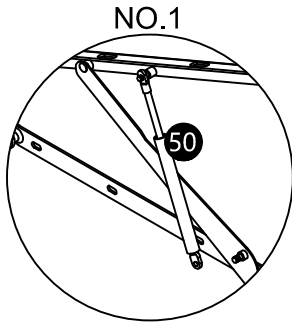


16 12PCS

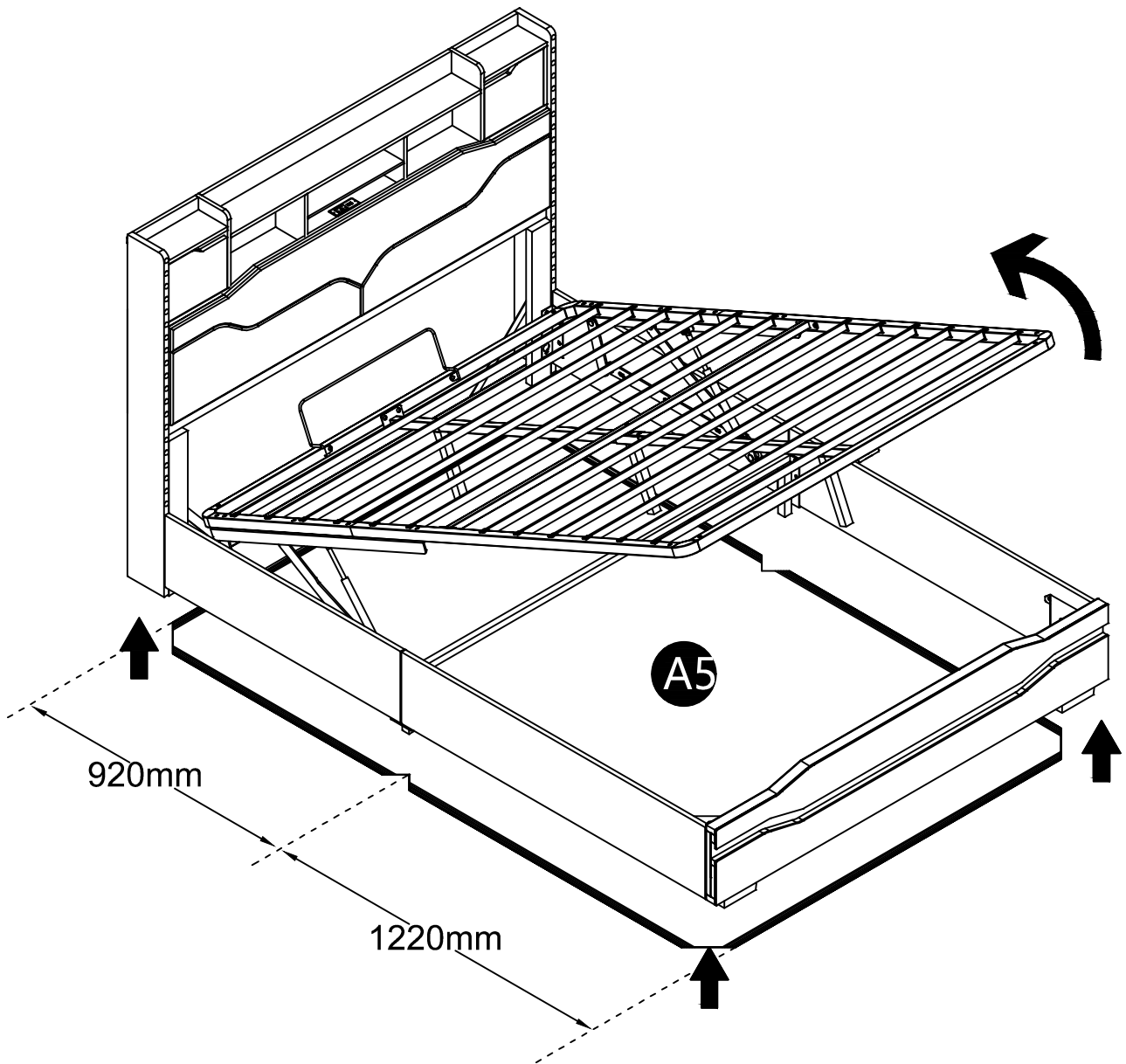
52

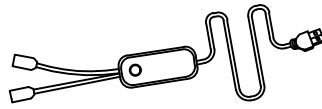


M8
54X4pcs



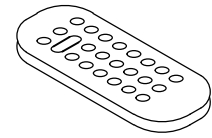
53





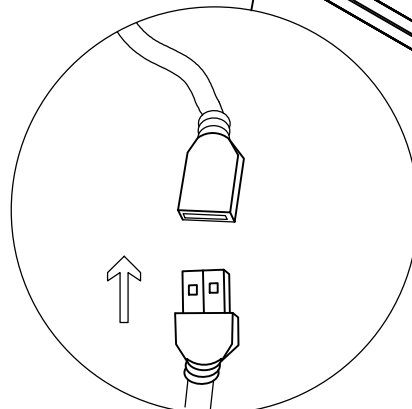
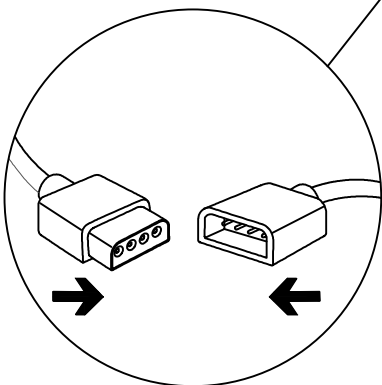
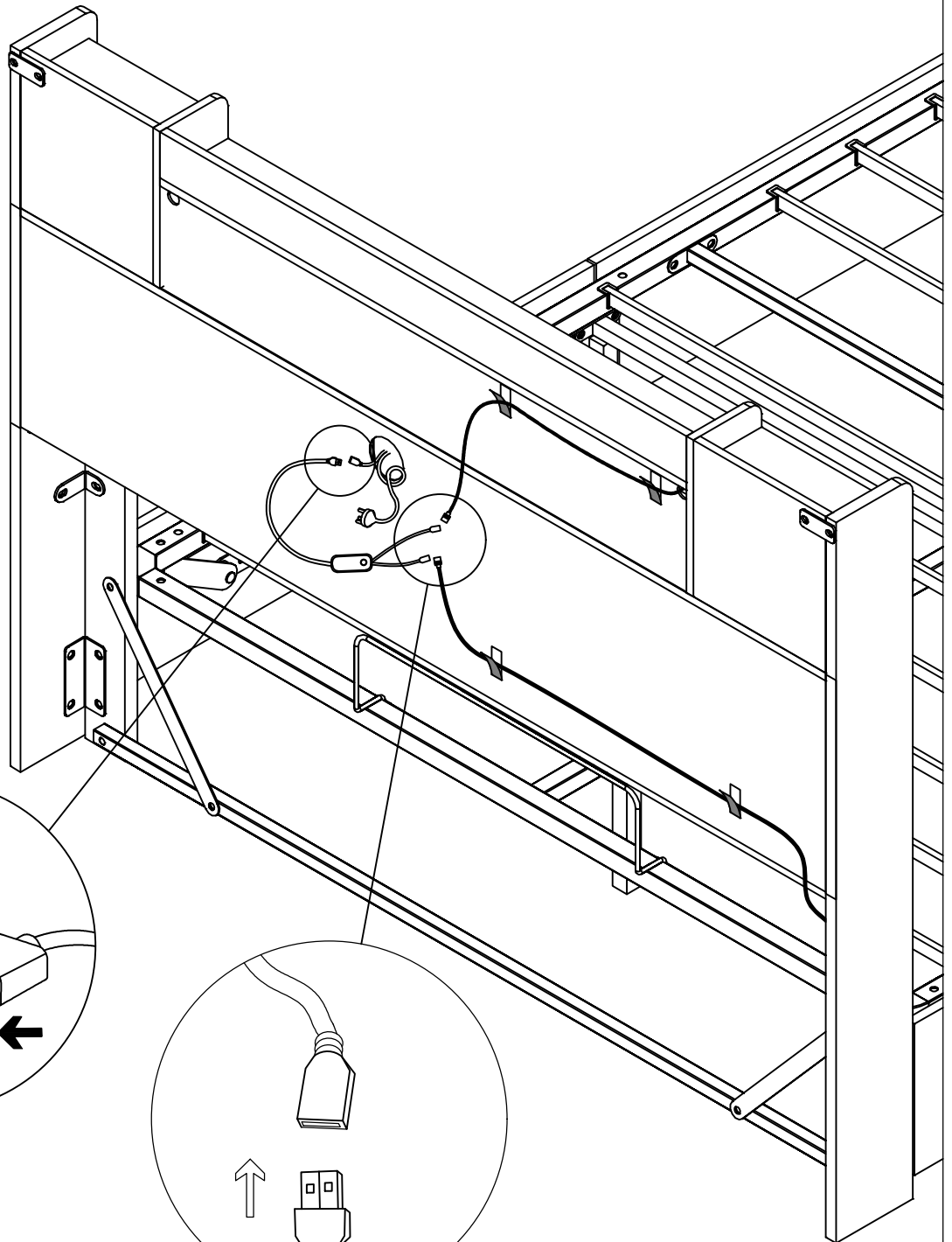
Power cord

A1 1PC



Remote control

A2 1PC



DE: Wenn Sie die Lichter nicht erfolgreich arbeiten lassen können, überprüfen Sie bitte die Folgendes:

1. Bitte überprüfen Sie die Fernbedienung. Sie müssen die Fernbedienung abreißen Plastikseptum vor Gebrauch.
2. Lassen Sie die Fernbedienung nicht zu weit vom Empfänger entfernt sein Es gibt kein Hindernis zwischen ihnen.
3. Bitte beachten Sie, dass die Fernbedienung für den Transport keine Batterien enthält. Das Batteriemodell lautet: CR2025

FR: Si vous ne parvenez pas à faire fonctionner les lumières correctement, veuillez vérifier les points suivants?:

1. Veuillez vérifier la télécommande. Vous devez retirer le septum en plastique de la télécommande avant utilisation.
2. Ne laissez pas la télécommande être trop éloignée du récepteur. Il n'y a aucun obstacle entre eux.
3. Veuillez noter que la télécommande ne contient pas de piles pour le transport. Le modèle de batterie est?: CR2025

UK: If you can't make the lights work successfully, please check the following:

1. Please check the remote control. You need to tear off the remote plastic septum before use.
2. Don't let the remote control be too far from the receiver There is no obstacle between them.
3. Please note that the remote control does not contain batteries for transportation. The battery model is: CR2025

NOTE:The battery in the remote control requires you to purchase and install it yourself.
Model:CR2025 3.V



Attestation of Compliance

Declaration No.:	MK23110141P01-E01
Name and address of Applicant:	Shenzhen Hongzhengyu Technology Co., LTD Shenzhen baoan district rock street industrial science and technology industrial park of 2 Haitian lanyu 3 5 floor of A
Name and address of Manufacturer:	Shenzhen Hongzhengyu Technology Co., LTD Shenzhen baoan district rock street industrial science and technology industrial park of 2 Haitian lanyu 3 5 floor of A
Product name:	RGB package
Rated:	DC5V
Product model(s):	HZY-5050RGB-30D-90R-DC5V, HZY-5050RGB-30D-30R-DC5V, HZY-5050RGB-60D-60R-DC5V, HZY-5050RGB-60D-180R-DC5V, HZY-5050RGB-18D-18R-DC5V
Product trademark:	N/A

This Attestation of Compliance confirms that the product meets the requirements of the following standard.

BS EN IEC 55015:2019+A11:2020
IEC 61547:2020
BS EN IEC 61000-3-2:2019
BS EN 61000-3-3:2013/A2:2021

The Attestation of Compliance has been carried out in accordance with individual rules and conditions agreed with the applicant. Evaluation has been carried out in accordance with:

Test report(s) No.:	MK23110141P01-E01
Test conducted by:	TMC Testing Services (Shenzhen) Co., Ltd.
Declaration issue date:	December 5, 2023

Notes:

This Attestation of Compliance is issued according to the Great Britain legislation Electromagnetic Compatibility Regulations 2016(SI 2016 No. 1091). It confirms that the listed products complies with all essential requirements of the Regulations and applies only to the sample and its technical documentation to TMC Testing Services (Shenzhen) Co., Ltd. for testing.

After preparation of the necessary technical documentation (which must be kept for up 10 years after the product is placed on the GB market) as well as the UK Declaration of Conformity, the required UKCA marking can be affixed on the product. Other relevant Regulations have to be observed.

TMC Testing Services (Shenzhen) Co., Ltd.

t:86-755-86642861 cert@tmc-lab.com www.tmc-lab.com

1st Floor, Block A1, Zone A, Xinshidai Gongrong Industrial Park, No. 2, Shihuan Road, Shiyuan Street, Baoan District, Shenzhen, China



Vivian Jiang
Lab Director
Vivian Jiang

**UK
CA**



KeySense Testing & Certification International Co., Ltd.
 1-3F, Lab Building, No.29 District, Zhongkai Hi-Tech
 Industrial Development Park, Huizhou, Guangdong,
 China

Tel:0752-3219929
 Fax:0752-3219929
<http://www.kst-cert.com>

Technical Compliance Statement

Certificate No.: KST240304L008Q01


Report No.: KST240304L008Q01

The following product has been tested by us with the listed standards and found in Compliance with the council LVD directive 2014/35/EU. It is demonstrative for the Compliance with this LVD Directive.

Holder: DONGGUAN BAIYOU ELECTRONIC CO LTD
Address: 2F A Building, Wufeng Industrial, Jintan Road, Danwu Shijie Town, Dongguan, Guangdong
Product: USB CHARGER
Model Name: BY213-TD04-C
Trade Name: N/A

Test Standard	
EN 62368-1:2014+A11:2017	Audio/video, information and communication technology equipment Part 1: safety requirements



Signature: 

Name:

Tony Xu

Position:

General Manager

Date:

Apr. 26, 2024



The statement is based on single evaluation of one sample of above mentioned product. It does not imply an assessment of the whole production and does not permit the use of the test lab. Logo.

Attestation of Compliance



Attestation No. : LCS220317036AE001

Approval Holder : Dongguan Yihong Hardware Electronics Co., Ltd

Address : Room 1106, No.2, Shangheng Road, Chang' an Town, Dongguan

Manufacturer : Dongguan Yihong Hardware Electronics Co., Ltd

Address : Room 1106, No.2, Shangheng Road, Chang' an Town, Dongguan

Brand Name : YH

Product : Bluetooth 2.4G remote controller

Type/Model Name : YH-252, YH-284, YH-357, YH-358, YH-360

H/S Version : HW: /
SW: /

Attestation of the technical design of the radio equipment according to the following essential requirements set out in article 3 of the RED 2014/53/EU:

Article 3.1a): Health and Safety **Conform**

Article 3.1b): Electromagnetic Compatibility **Conform**

Article 3.2: Effective Use of the Radio Spectrum **Conform**

CE-marking

Marking Example (Class 1)



This attestation is issued in accordance with the Directive 2014/53/EU of the European Parliament and of the Council of 16 April 2014 on the harmonisation of the laws of the Member States relating to the making available on the market of radio equipment.

April 01, 2025

Date of issue



Annex



Applied Standards and Test Reports Standard

Laboratory

Test Report Number

ETSI EN 301 489-1 V2.2.3 (2019-11)
ETSI EN 301 489-3 V2.3.2 (2023-01)
ETSI EN 301 489-17 V3.2.4 (2020-09)
EN 55032:2015/A11:2020
EN 55035:2017/A11:2020

Shenzhen LCS Compliance Testing Laboratory Ltd.

LCS220317036AEA001

ETSI EN 300 328 V2.2.2 (2019-07)

Shenzhen LCS Compliance Testing Laboratory Ltd.

LCS220317036AEB001

ETSI EN 300 440 V2.2.1 (2018-07)

Shenzhen LCS Compliance Testing Laboratory Ltd.

LCS220317036AEC001

EN 62479: 2010
EN 50663: 2017

Shenzhen LCS Compliance Testing Laboratory Ltd.

LCS220317036AED001

EN 62368-1:2014+A11: 2017

Shenzhen LCS Compliance Testing Laboratory Ltd.

LCS220317040AS001

General Remarks:

1. This conformity assessment is limited to the essential requirements of the RED Directive. Only products fulfilling all essential requirements of all applicable new approach directives may be placed on the market and put into service.
2. Products in compliance with all provisions of the applicable directives providing for the CE marking must bear this marking.
3. The manufacturer shall take all measures necessary so that the manufacturing process and its monitoring ensure conformity of the manufactured radio equipment with the approved type described in the Attestation of Compliance and with the requirements of Directive 2014/53/EU that apply to it.
4. This device also contains frequency bands that are not operational in EU member states. Only the frequency bands used in European Union have been assessed for this attestation.
5. The manufacturer shall draw up a written EU declaration of conformity for each radio equipment type and keep it at the disposal of the national authorities for 10 years after the radio equipment has been placed on the market. The EU declaration of conformity shall identify the radio equipment type for which it has been drawn up. A copy of the EU declaration of conformity shall be made available to the relevant authorities upon request.

