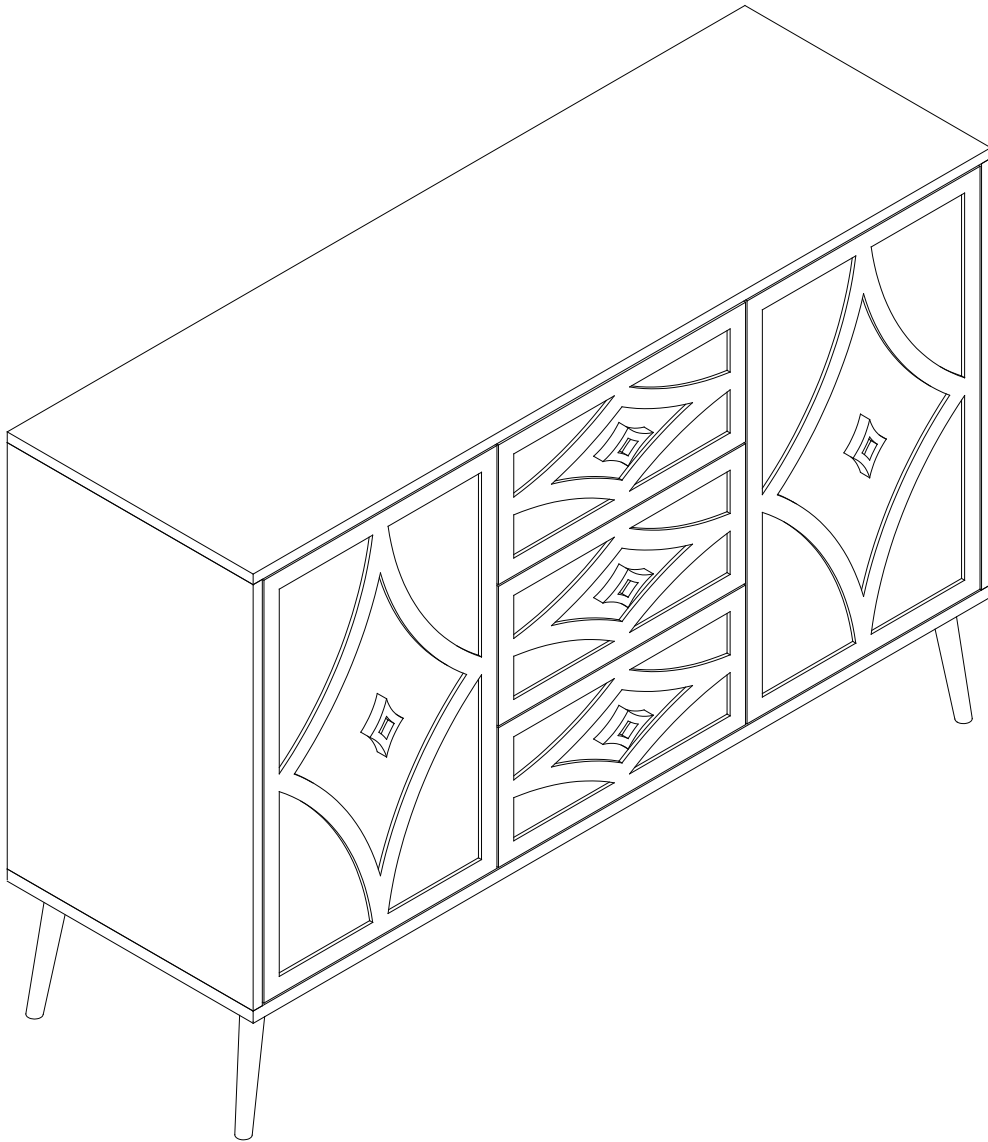


Installation Instruction



Product name

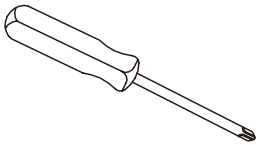
2 Door 3 Drawer Cabinet

Ver.1.0 20240513

Assembling

What you need

- Use the packaging carton as a working surface to prevent product damage during assembly
- Phillips head screwdriver



Weight Limitation



40 | 11 | 22
lbs table top | lbs per drawer | lbs per shelf



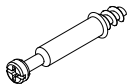
2 PERSONS

What 's included

Code	Description	Qty
A	Cam Bolt M6X35MM	24
B	Cam Lock 15X10MM	24
C	Wooden Dowel M6X30MM	16
D	Screw M4X35MM	26
E	Screw M4X14MM	24
F	Hinge	4
G	Screw M4X14MM	18
H	Anchor M6X30MM	2
I	Metal Support	8
J	Slide Sets	3
K	Screw M3X12MM	36
L	Plastic Corner Support	10
M	Screw M3X16MM	10
N	Metal Plate	2

The Hardware

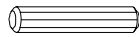
A



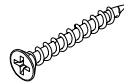
B



C



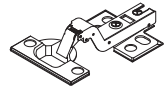
D



E



F



G



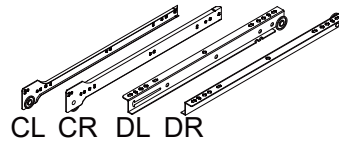
H



I



J



K



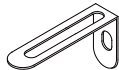
L



M



N



IMPORTANT :

1. Do not tighten bolts / screws completely until all bolts / screws are lined up and inserted into holes.
2. Do not over tighten screws and bolts to avoid stripping.
3. Please use hand tools to assemble this product. Do not use power tools.
4. Must need 2 people to assemble this product.

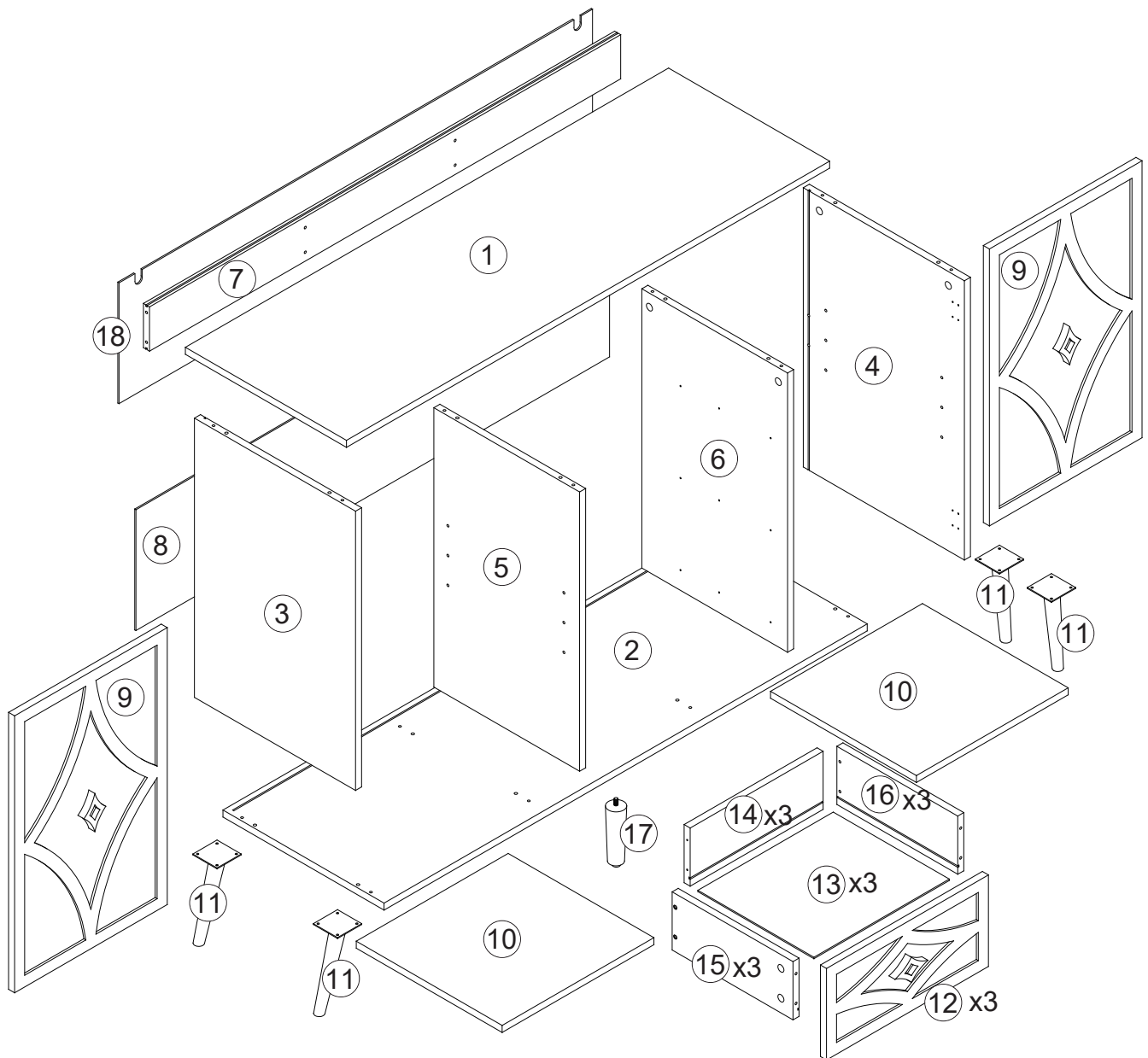


2 PERSONS

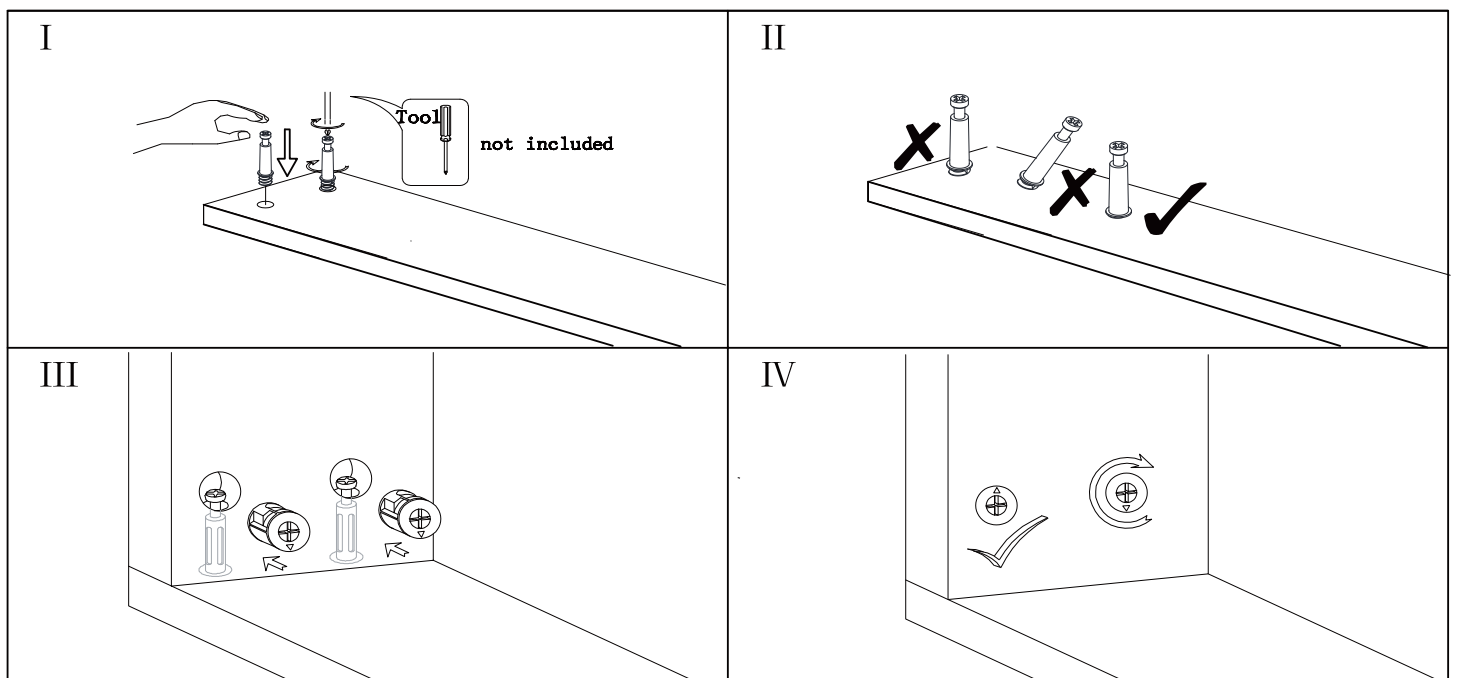
Included Accessories

Code	Description	Qty
1.	Cabinet Top	1
2.	Bottom Panel	1
3.	Left Side Panel	1
4.	Right Side Panel	1
5.	Middle Left Division Panel	1
6.	Middle Right Division Panel	1
7.	Back Stretcher	1
8.	Lower Back Panel	1
9.	Door	2
10.	Shelf	2
11.	Feet	4
12.	Drawer Front Panel	3
13.	Drawer Bottom Panel	3
14.	Drawer Back Panel	3
15.	Drawer Left Side Panel	3
16.	Drawer Right Side Panel	3
17.	Middle Foot	1
18.	Upper Back Panel	1

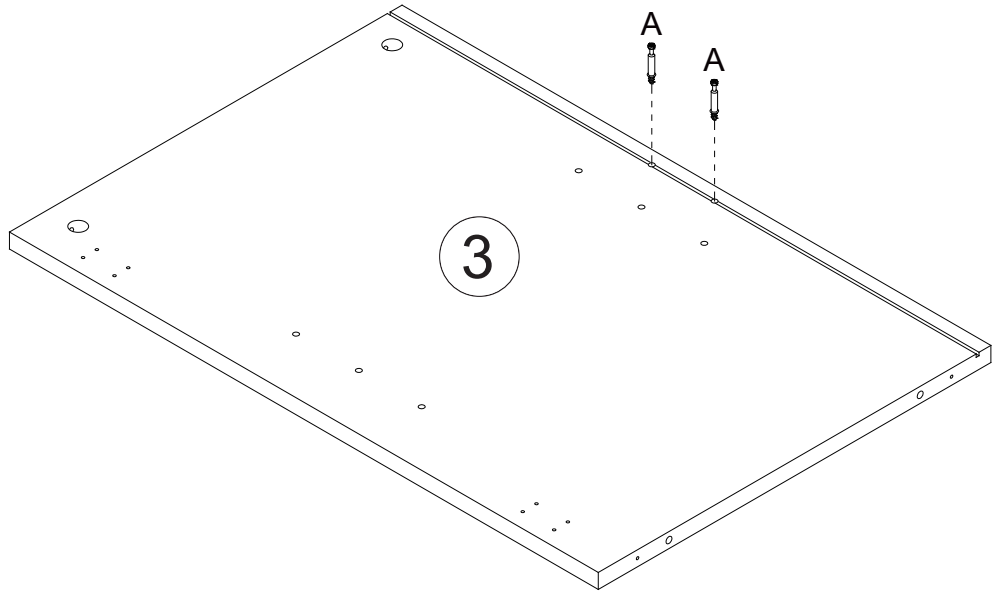
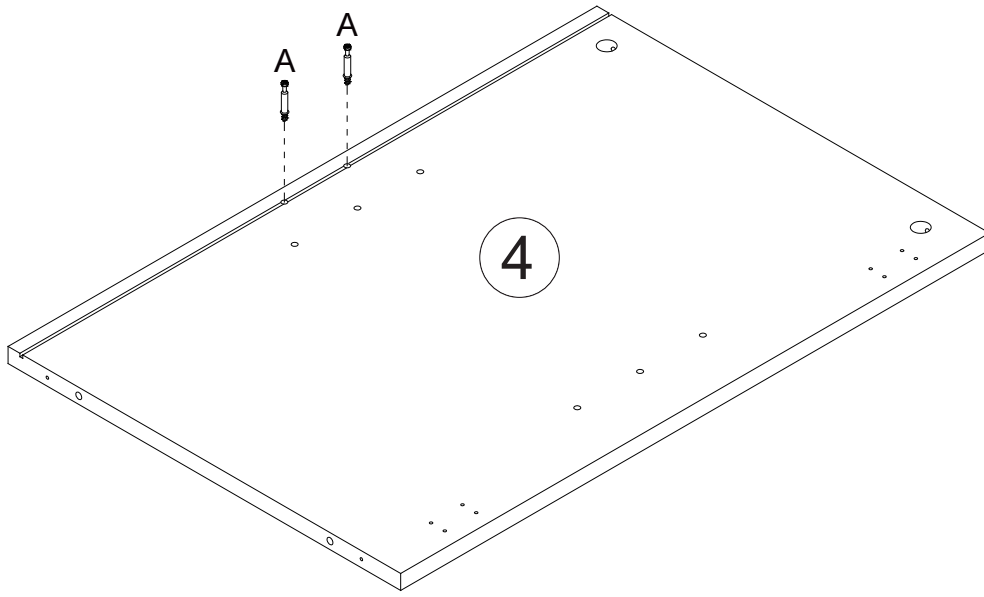
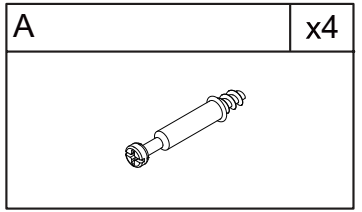
The Accessories



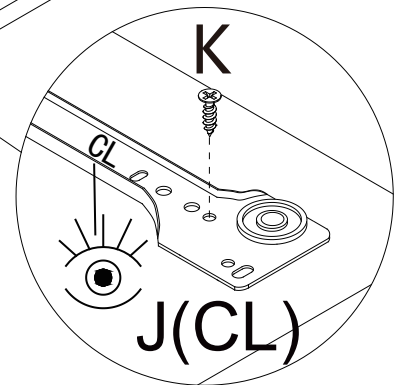
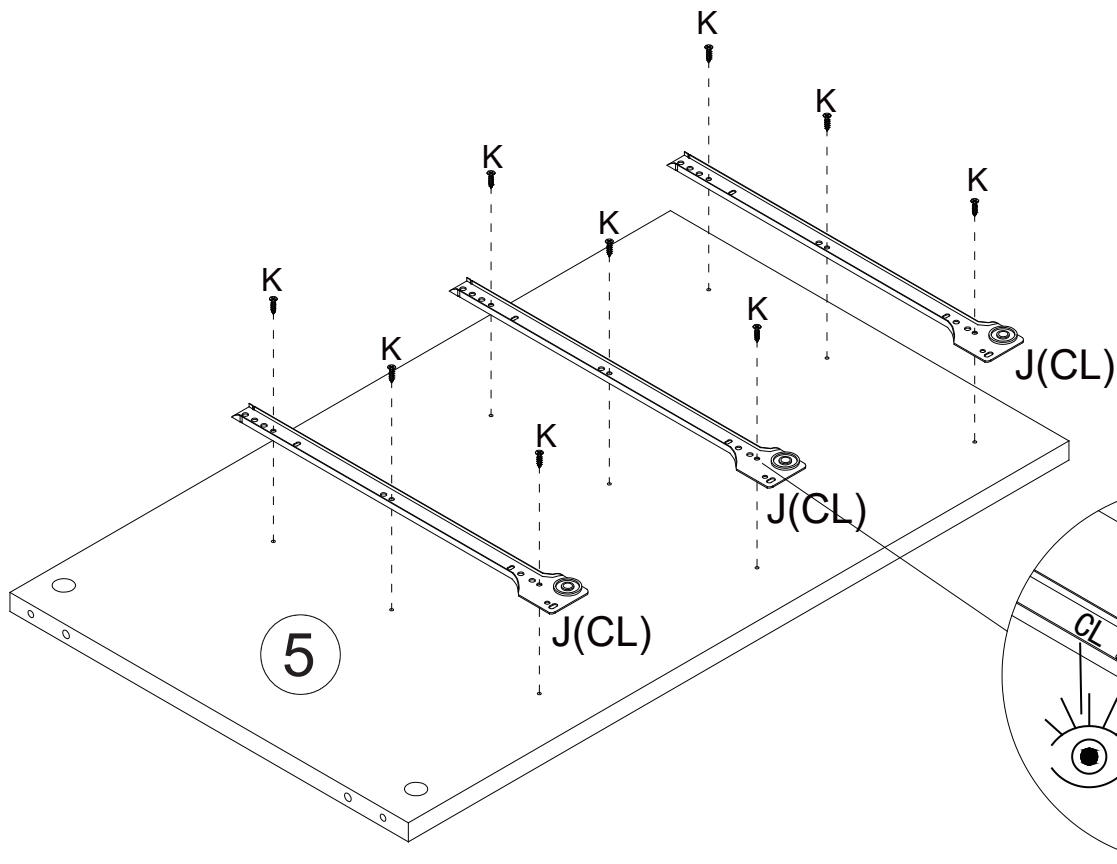
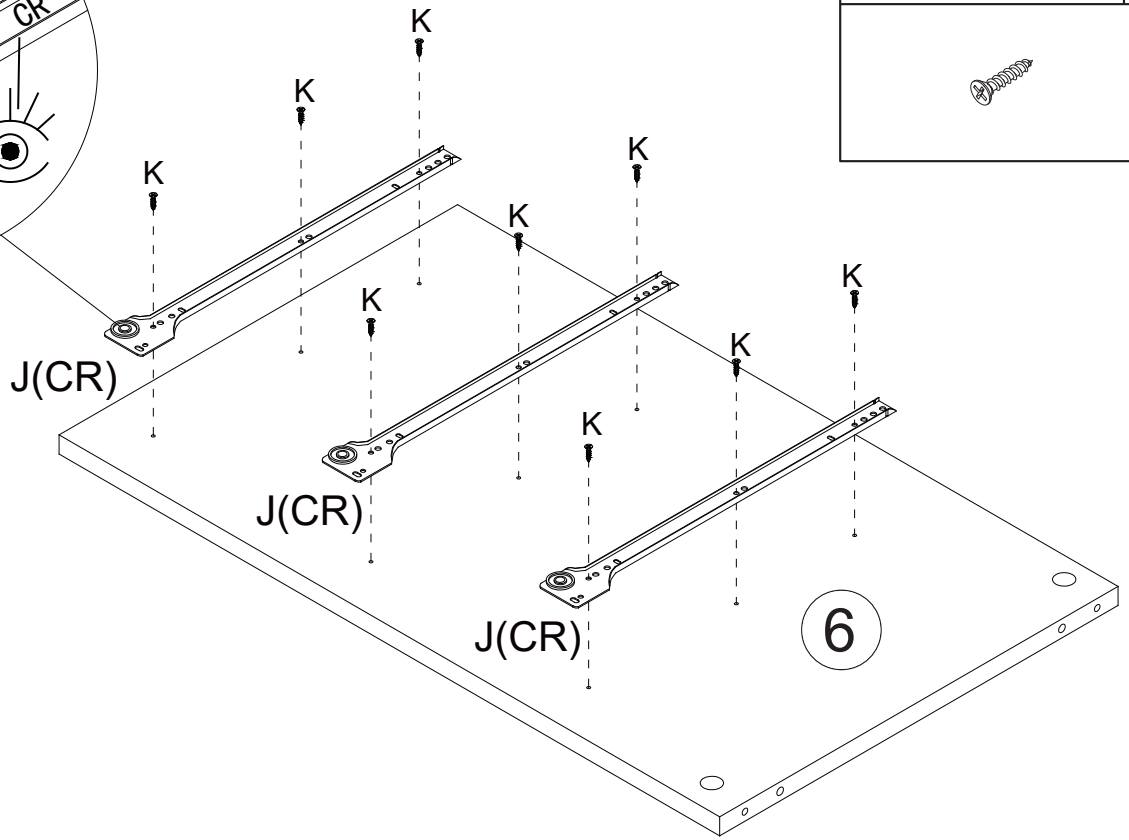
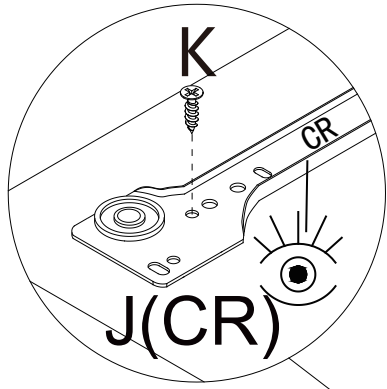
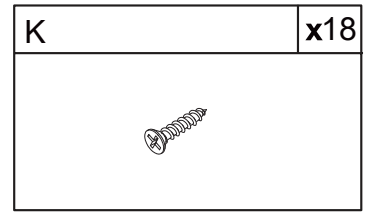
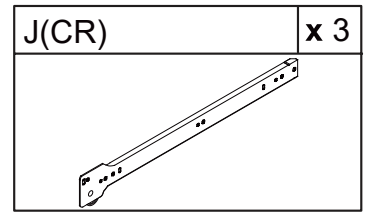
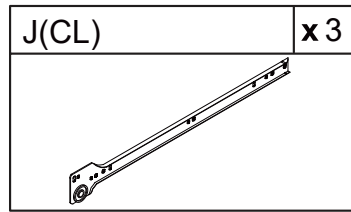
Noted :



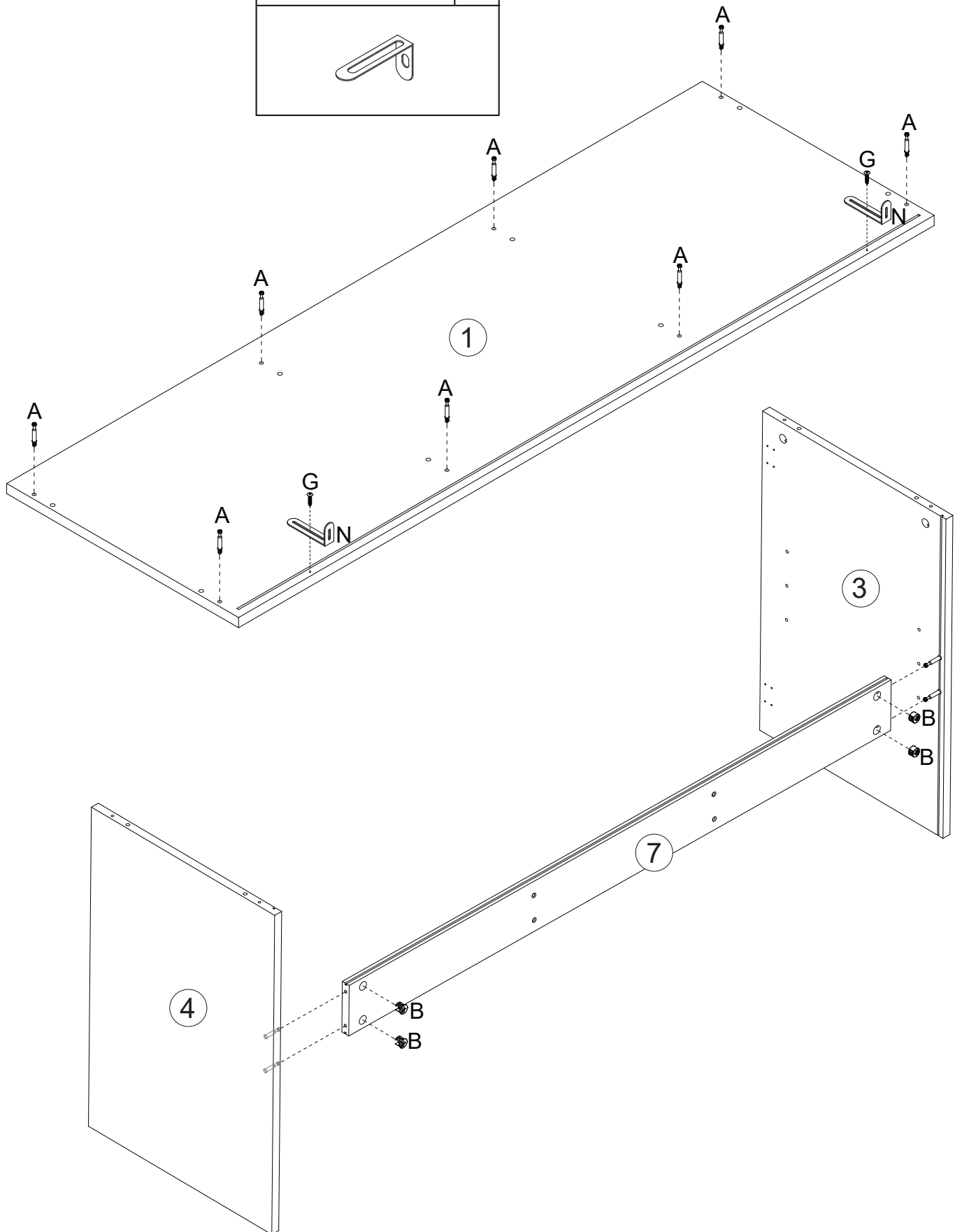
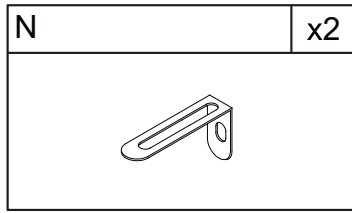
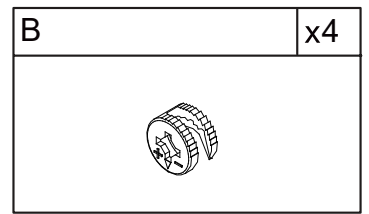
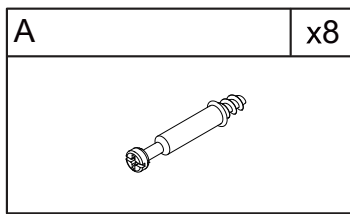
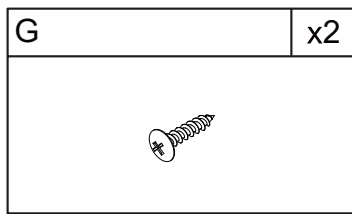
STEP 1



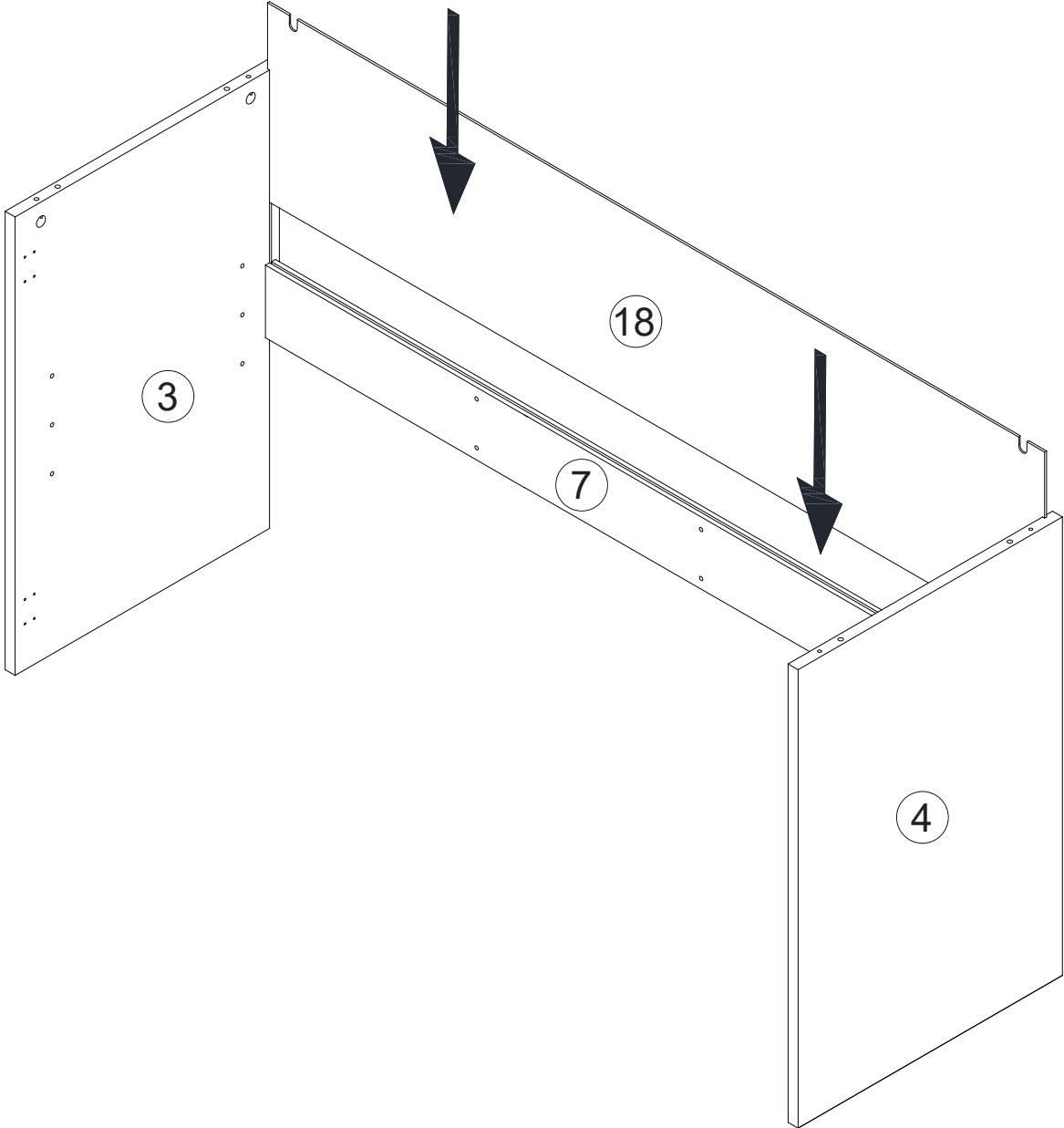
STEP 2



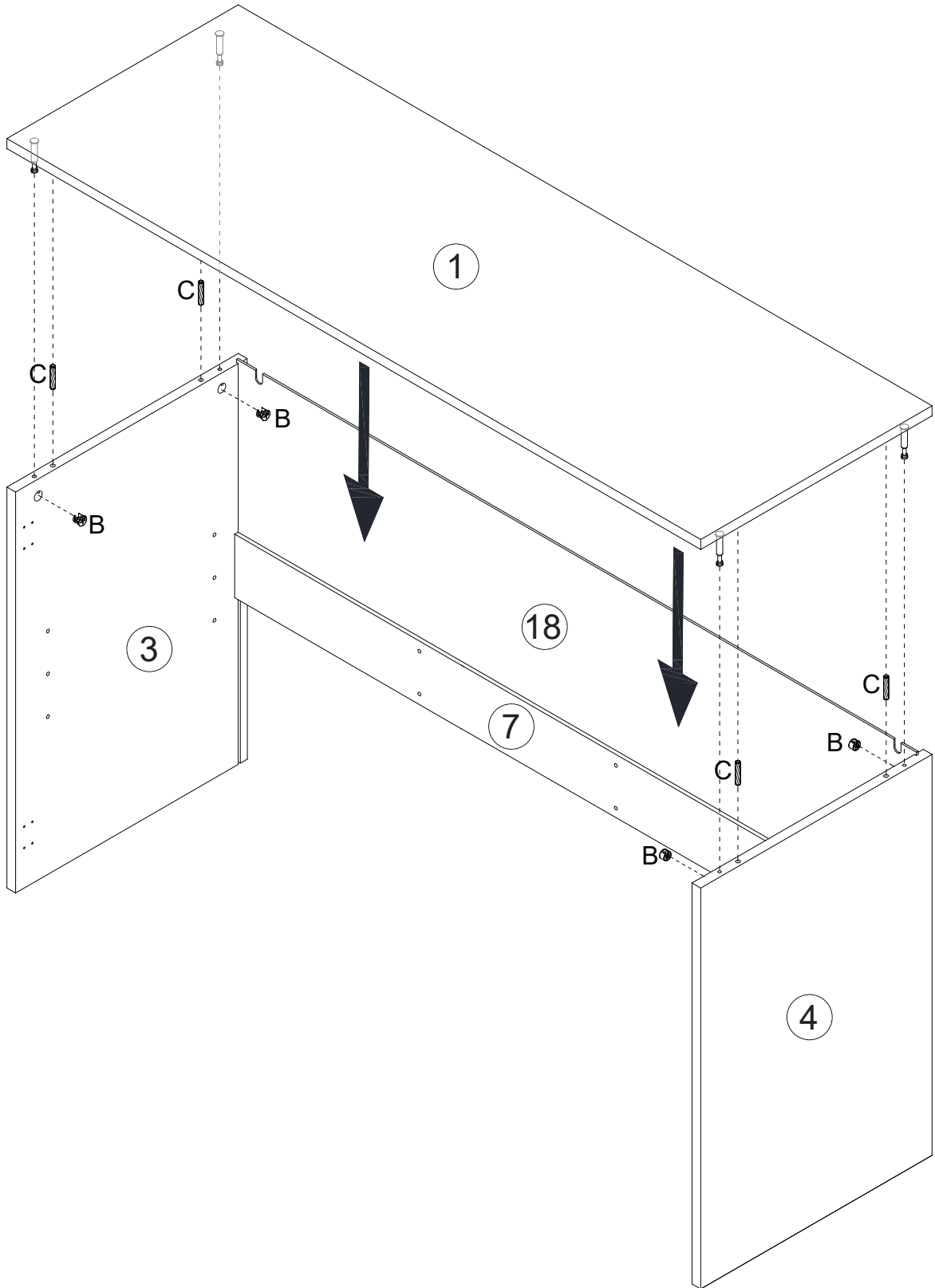
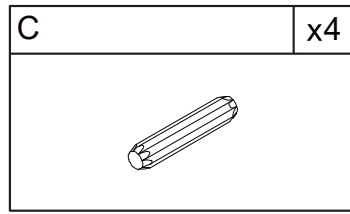
STEP 3



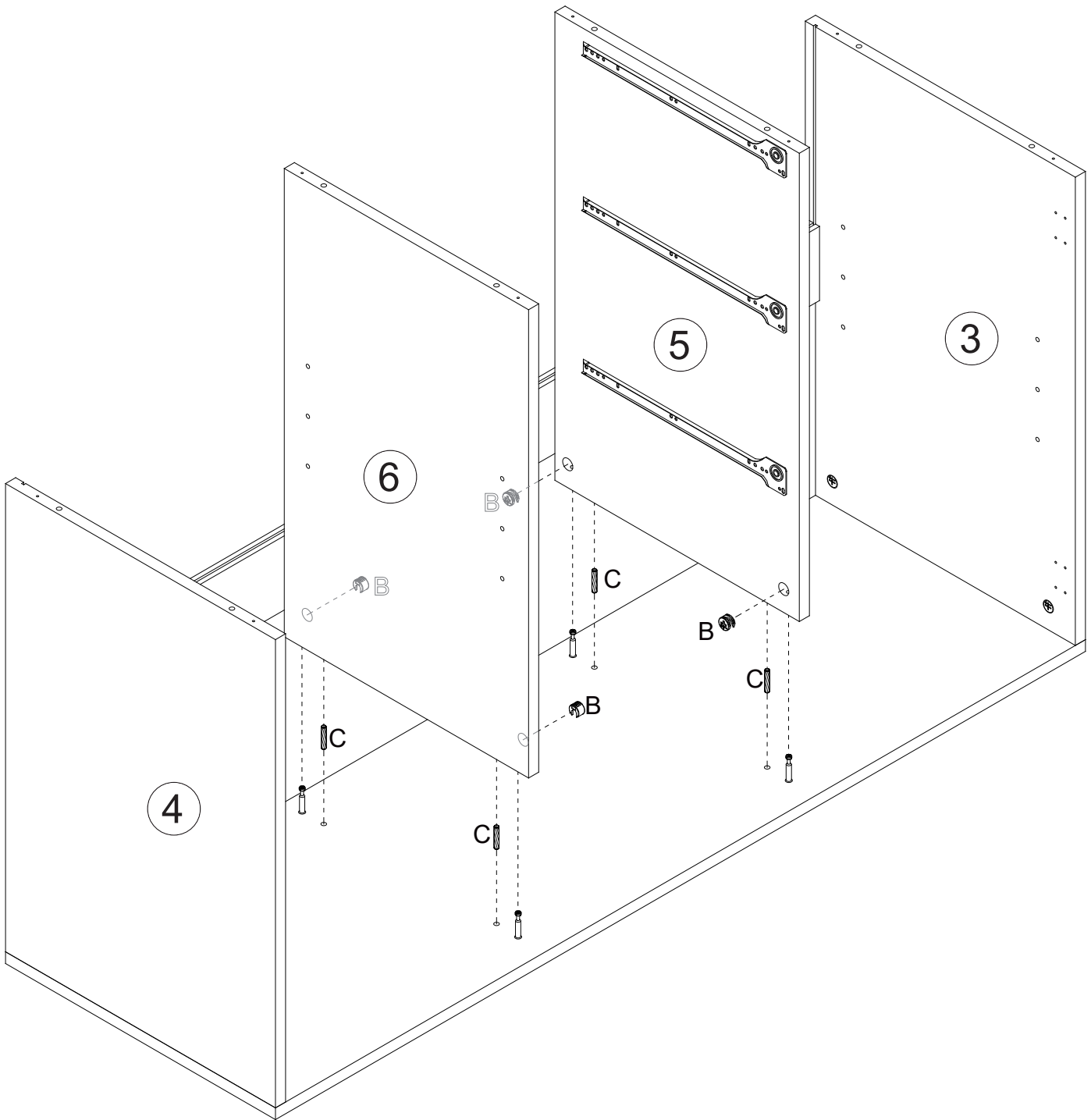
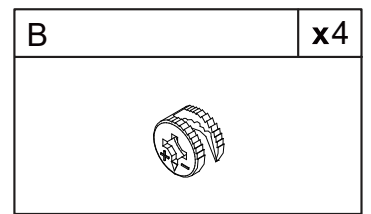
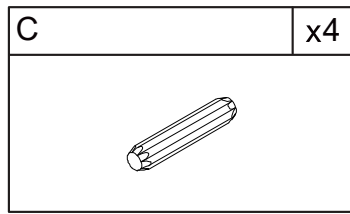
STEP 4



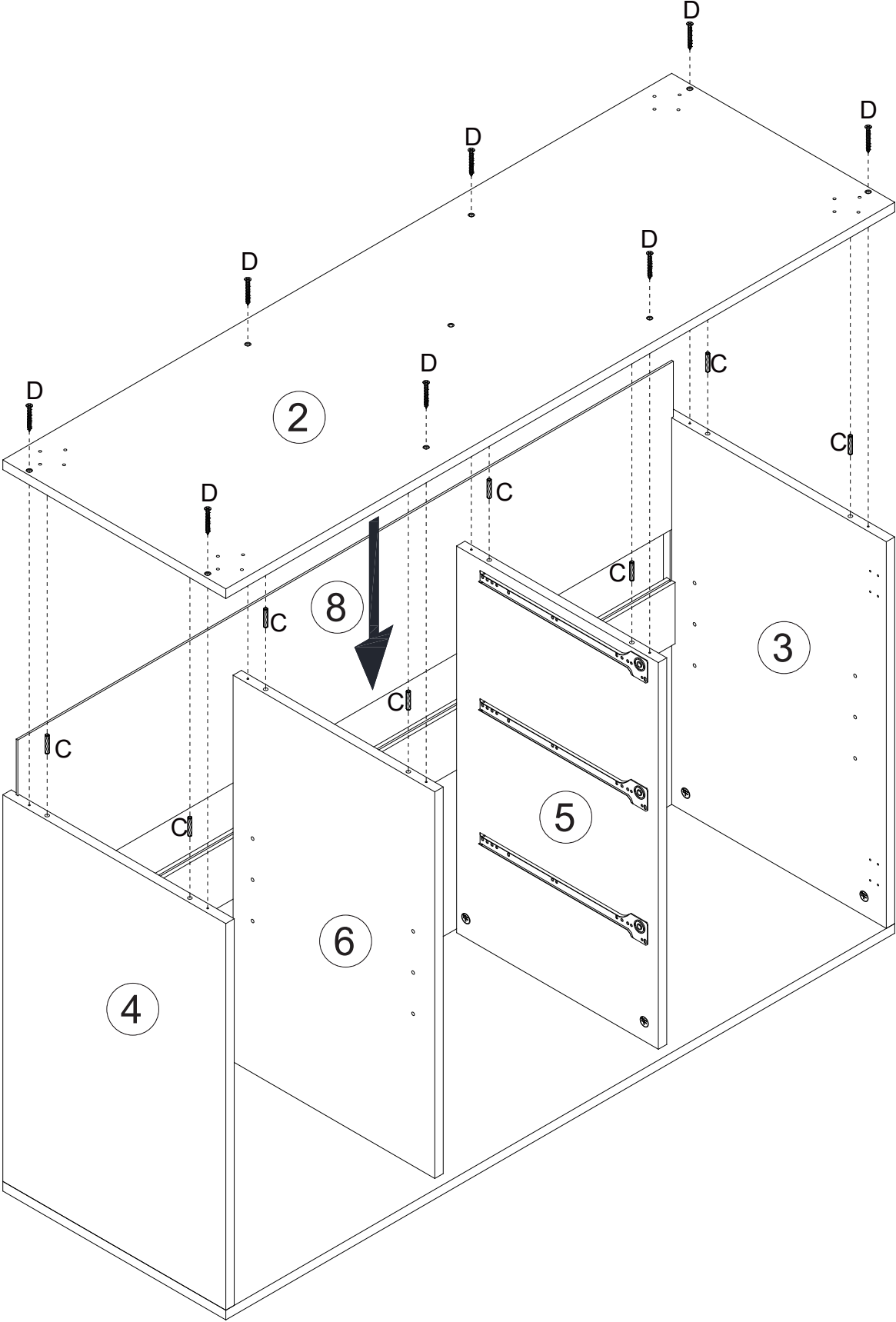
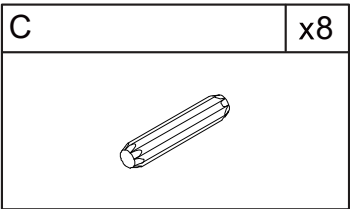
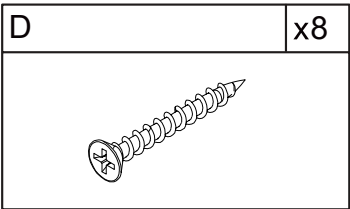
STEP 5



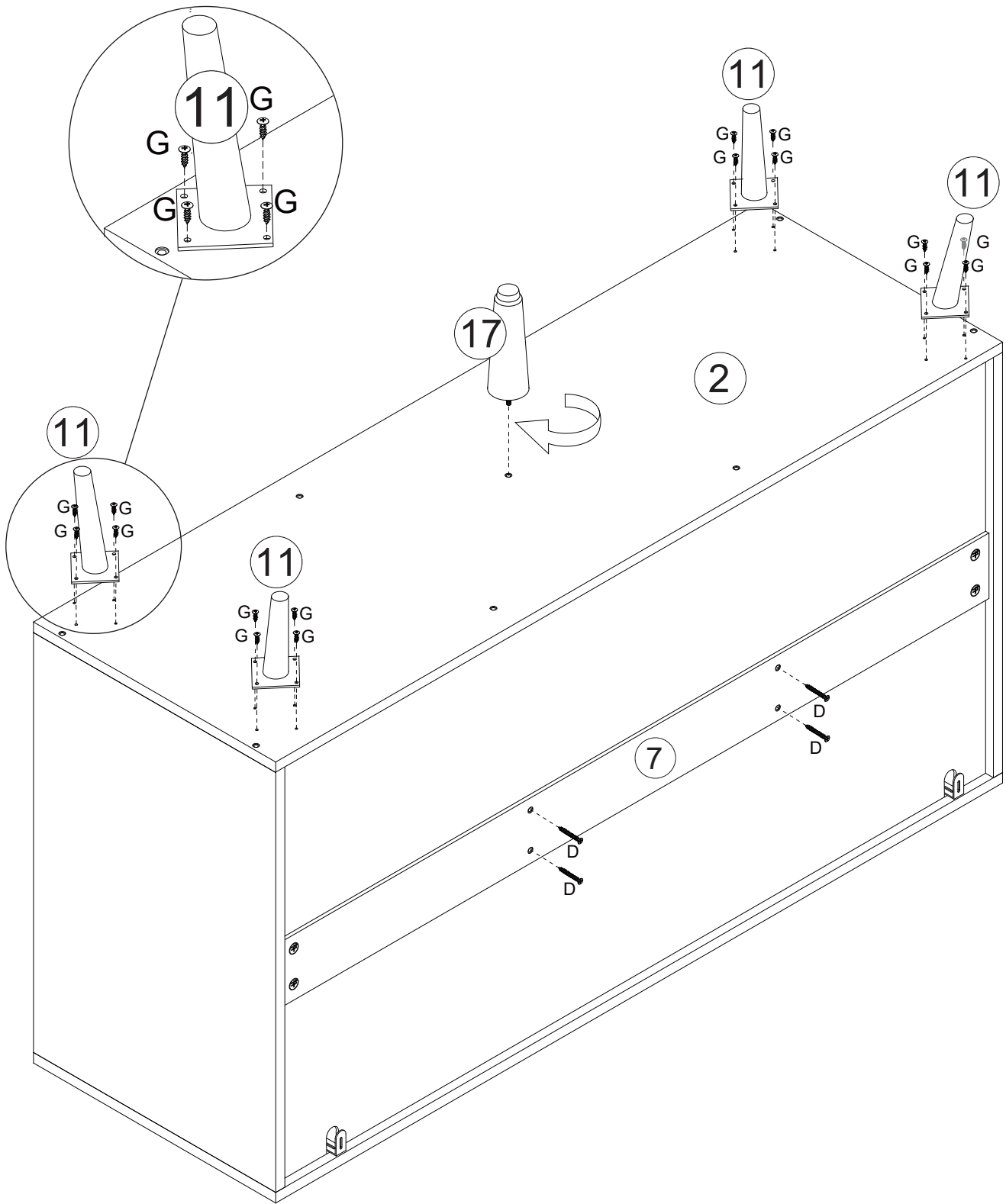
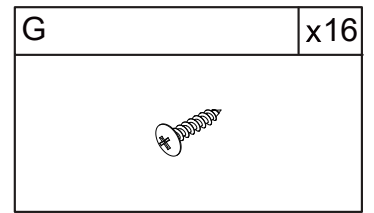
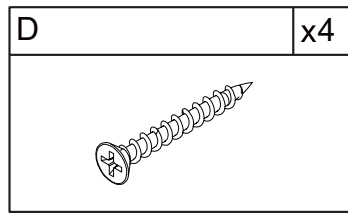
STEP 6



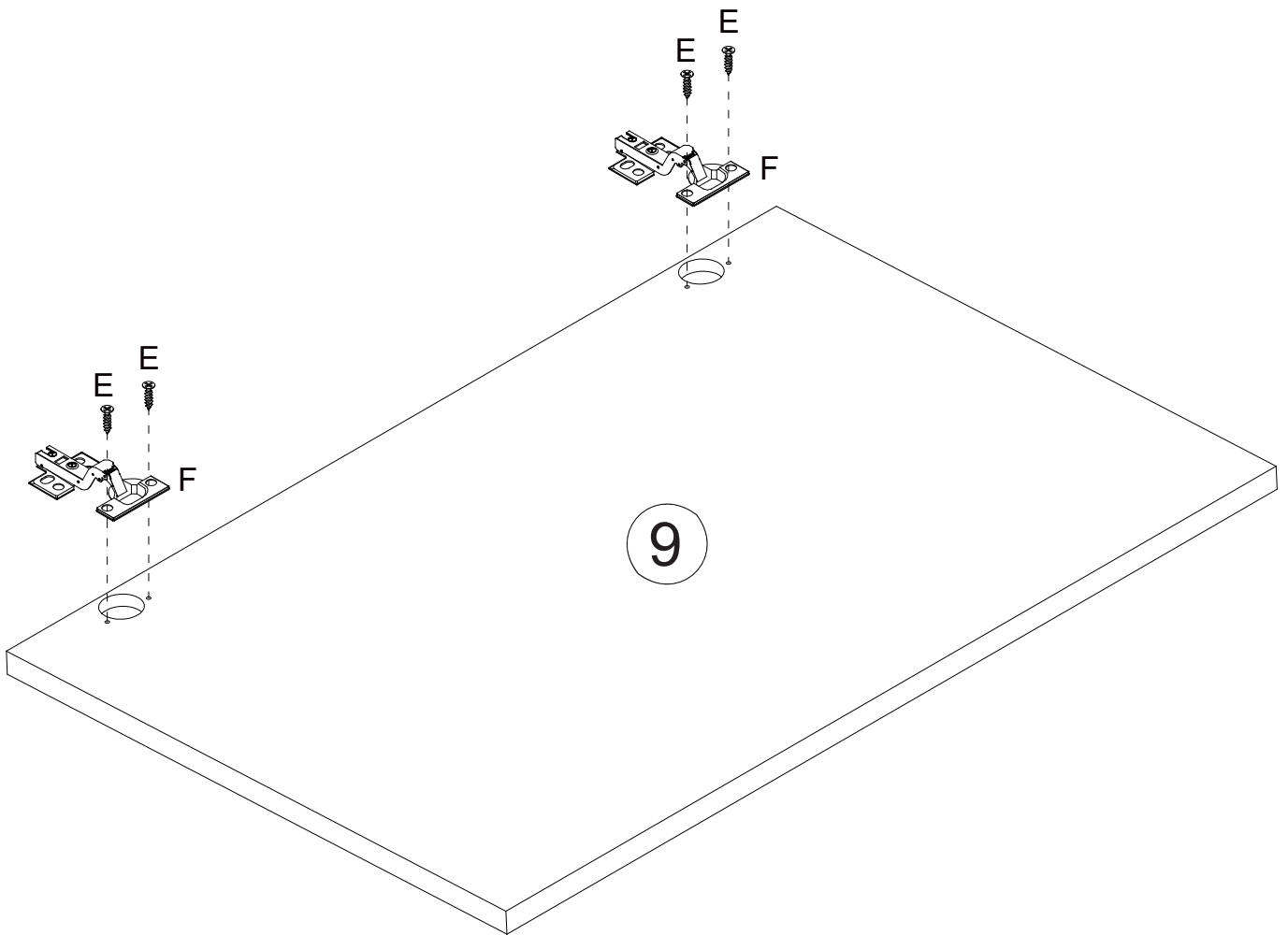
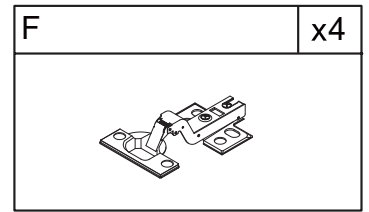
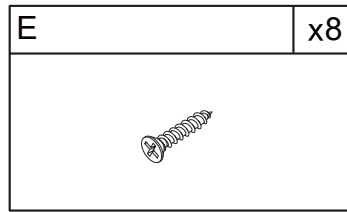
STEP 7



STEP 8




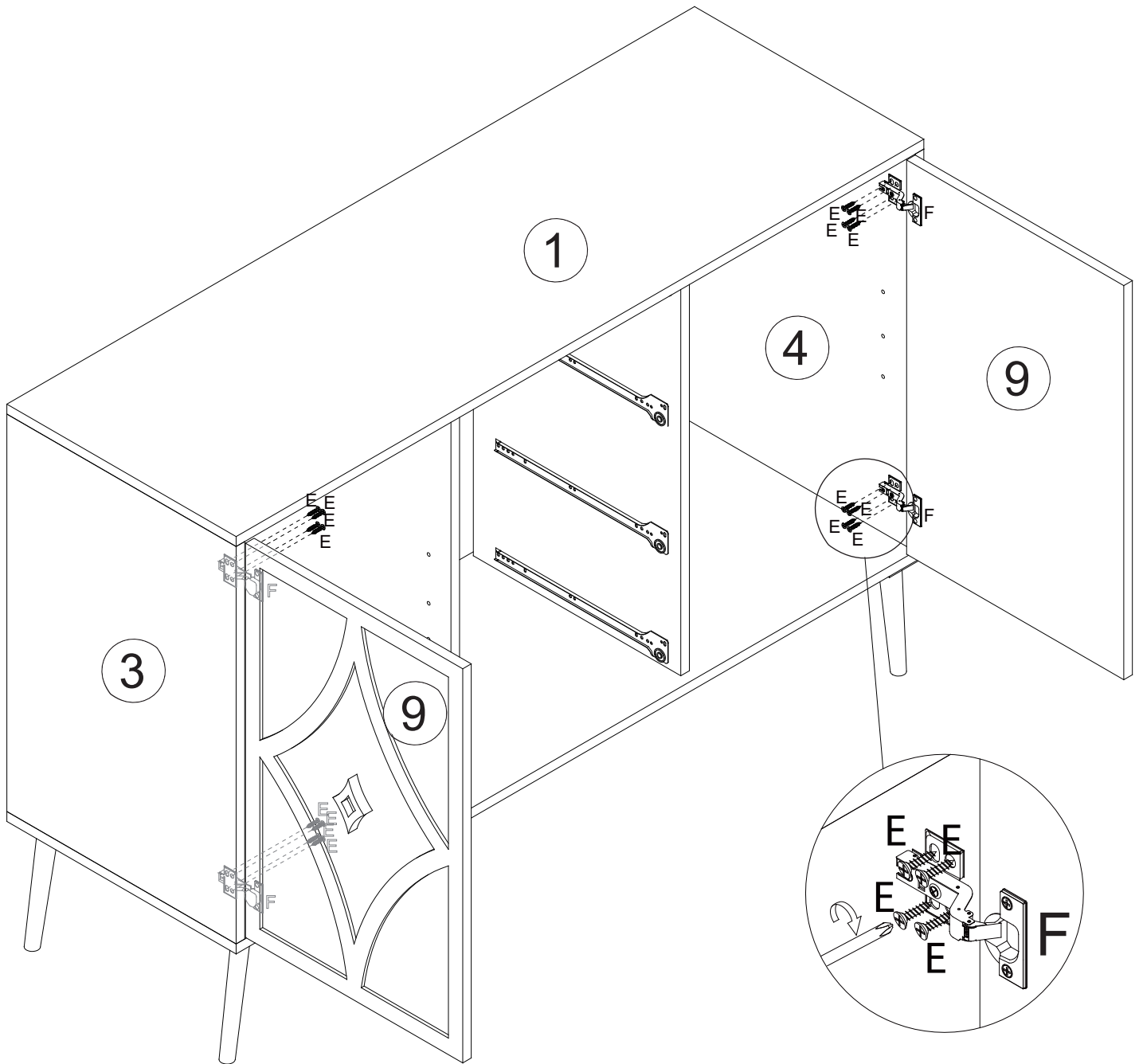
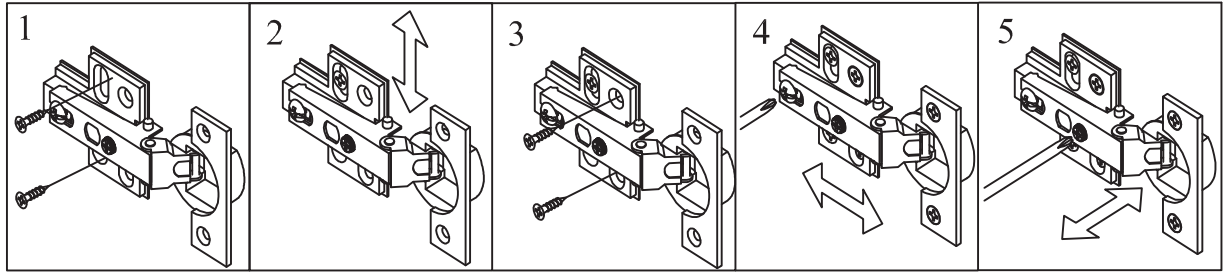
STEP 9



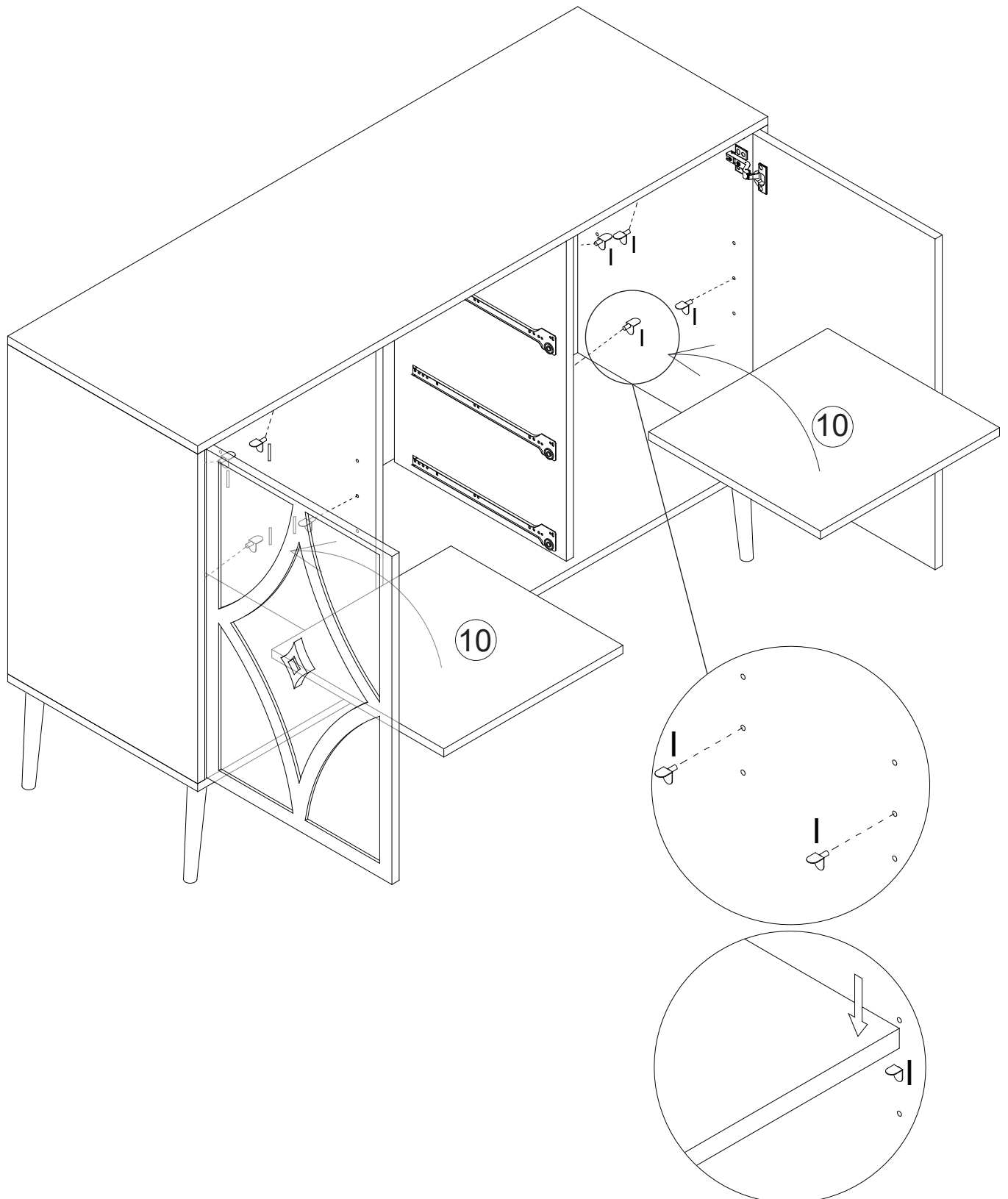
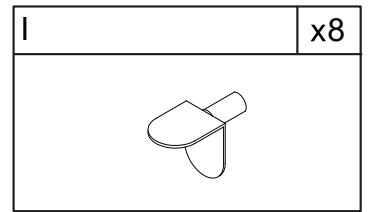
x2

STEP 10

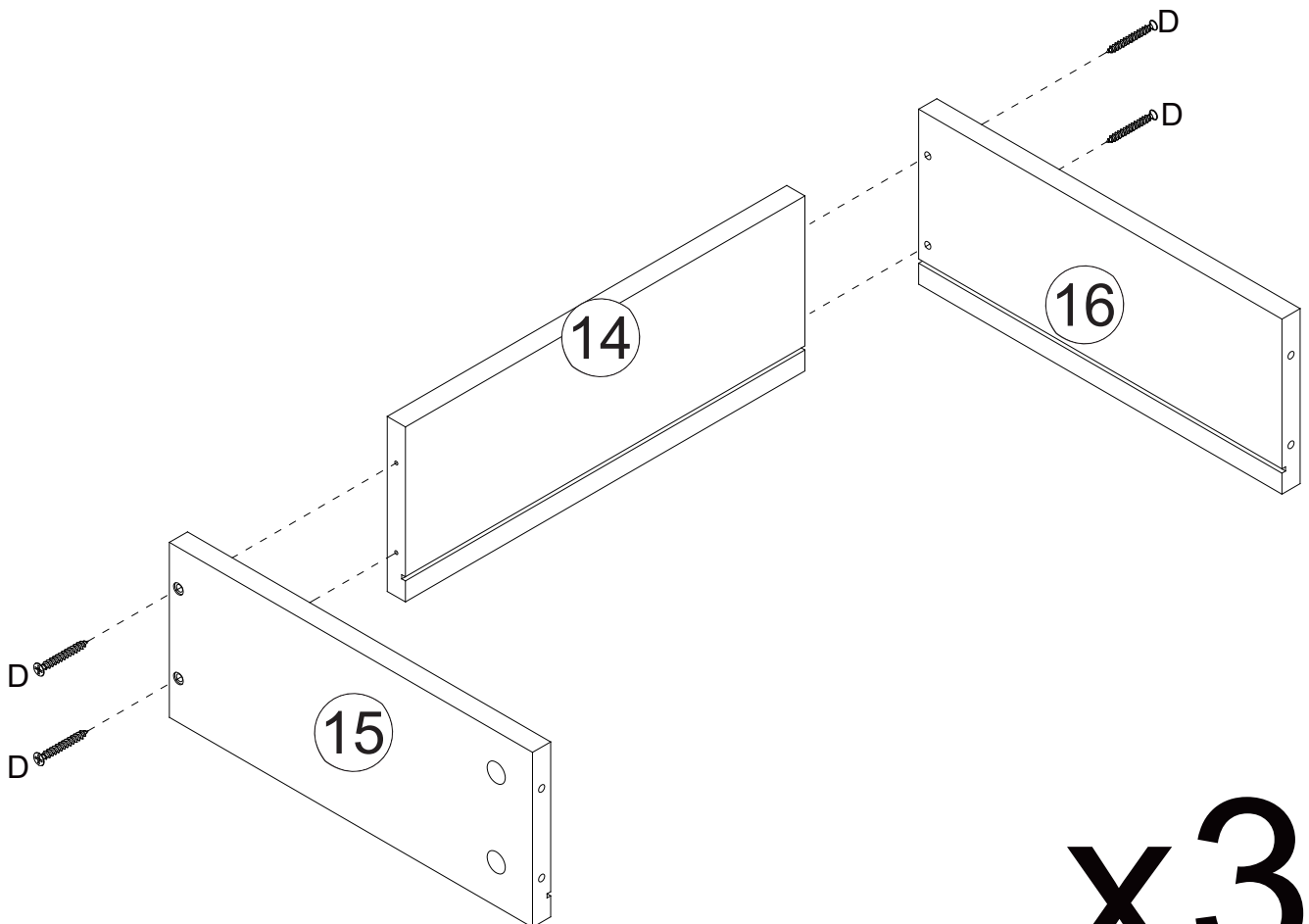
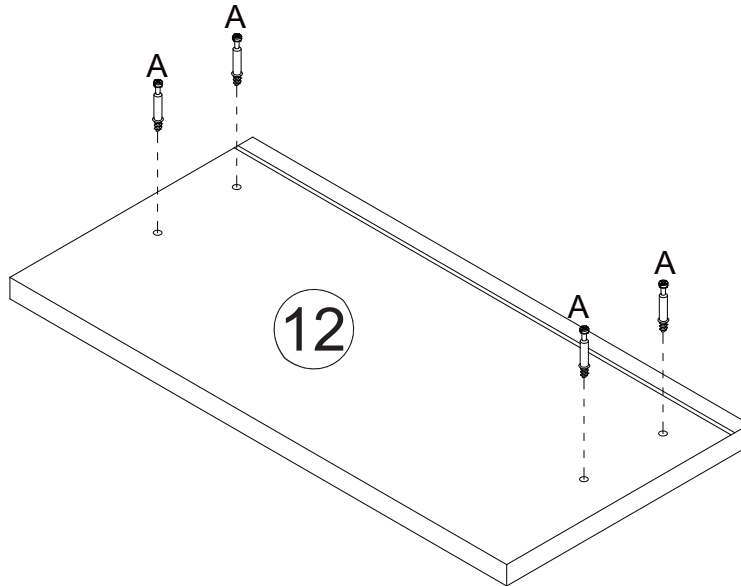
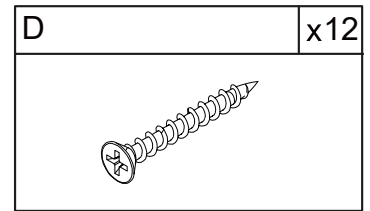
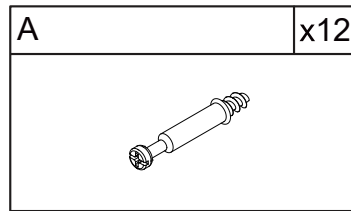
E	x16
	



STEP 11





STEP 12

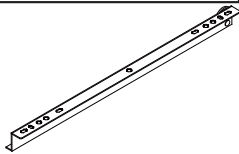


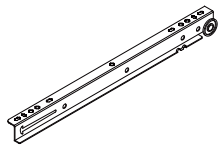
x3

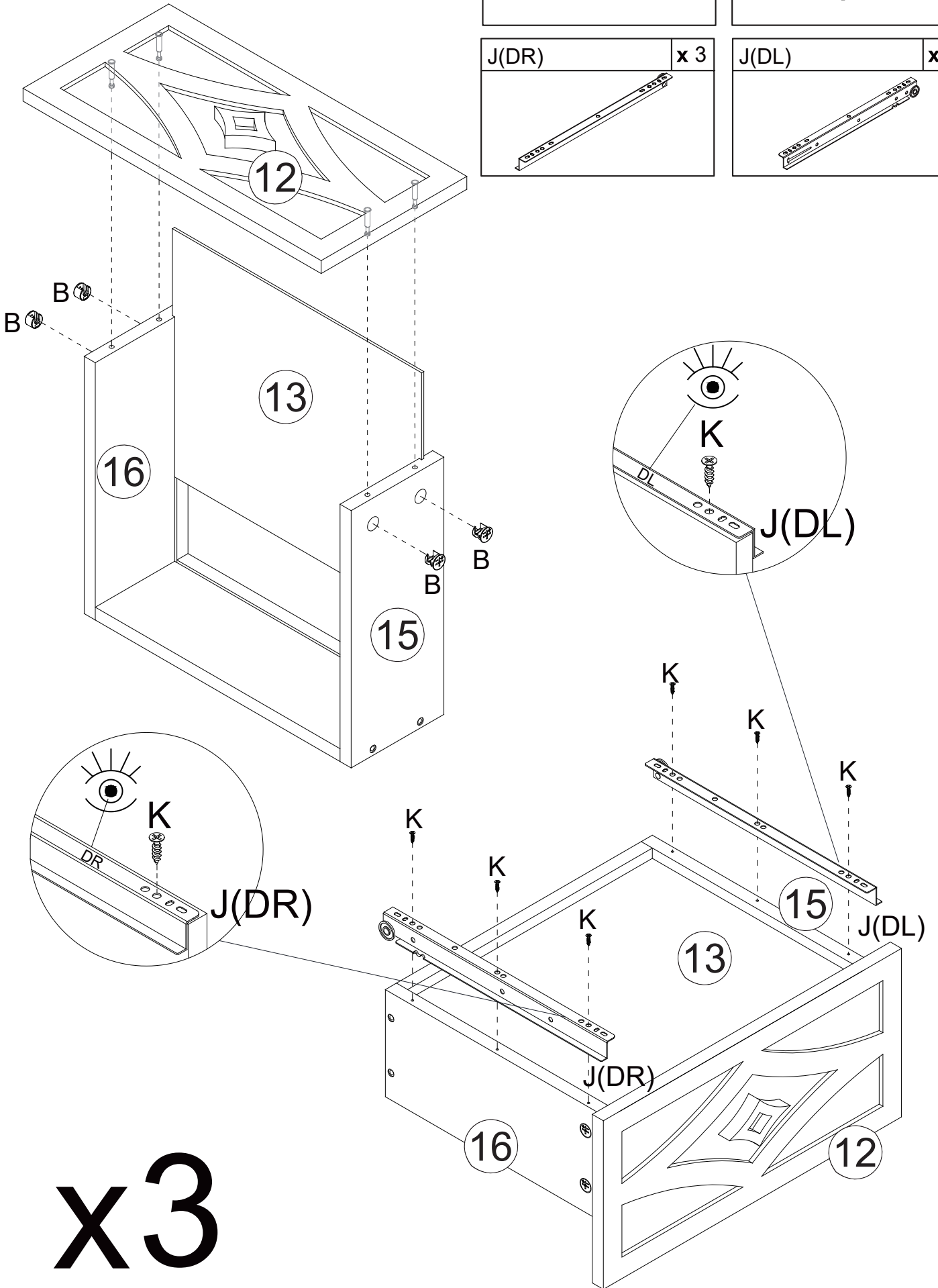
STEP 13

K	x18
	

B	x12
	

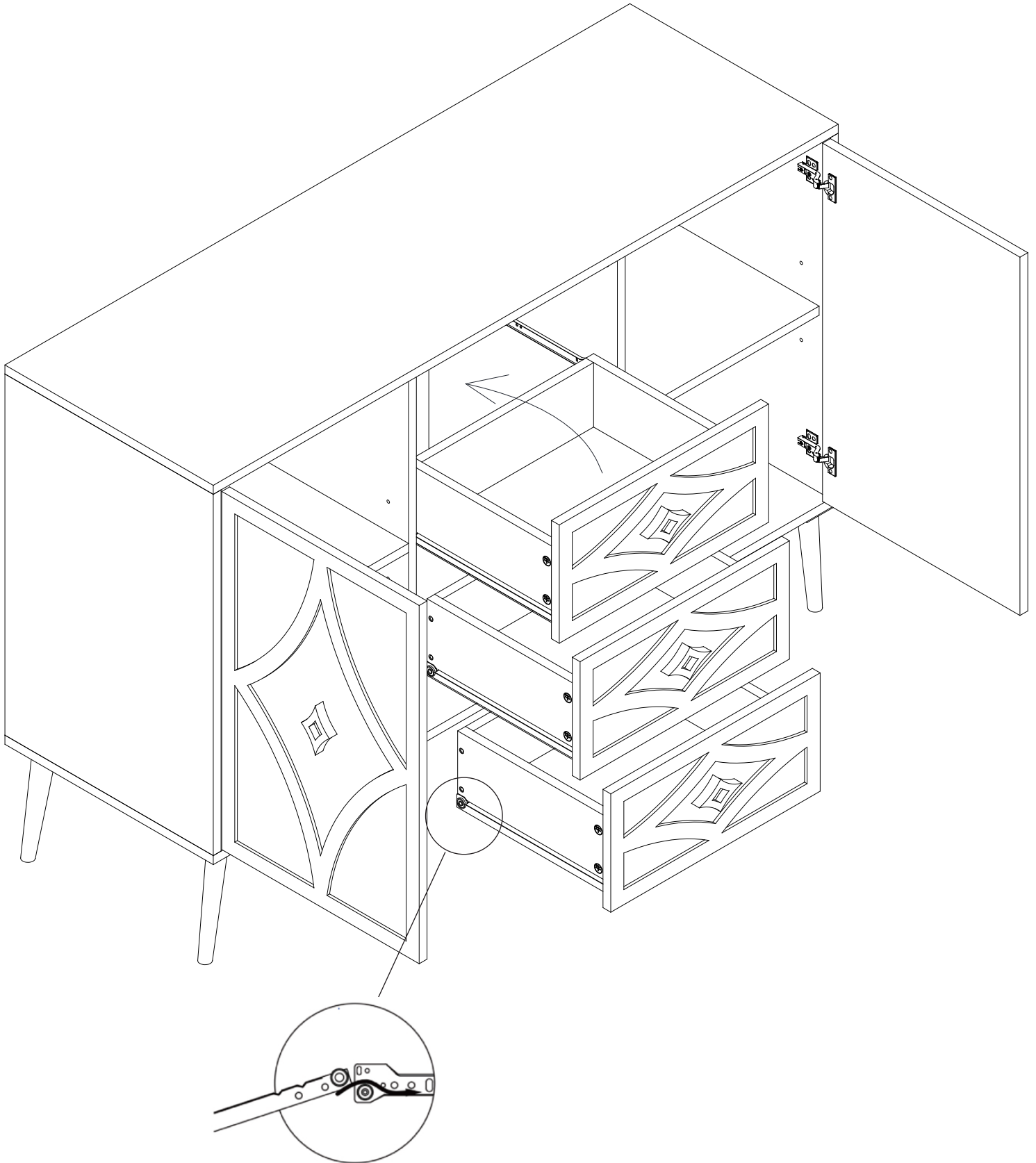
J(DR)	x 3
	

J(DL)	x3
	

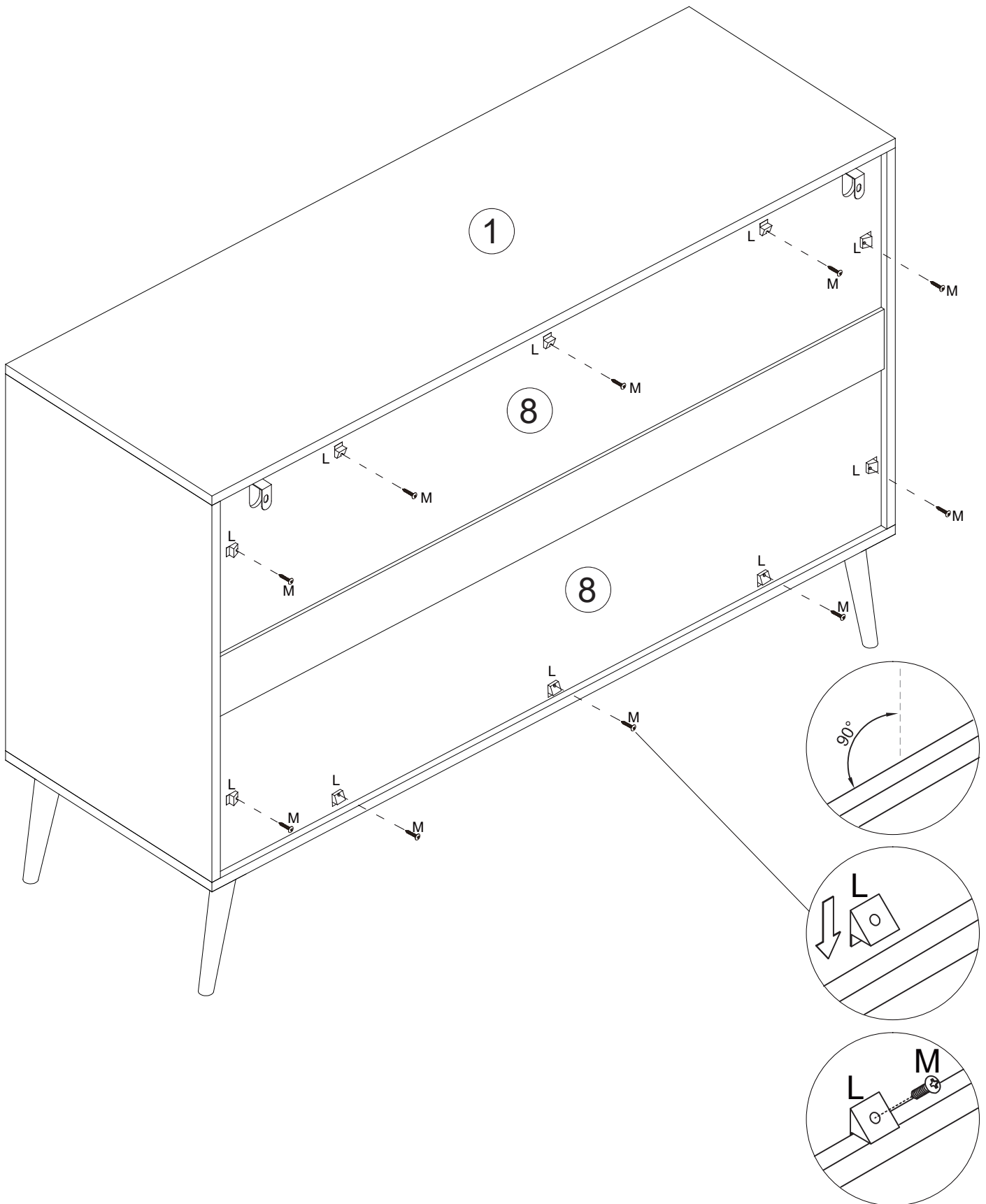
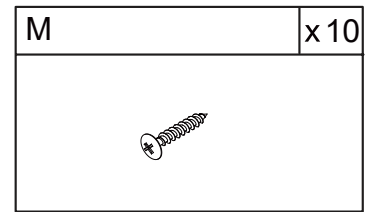
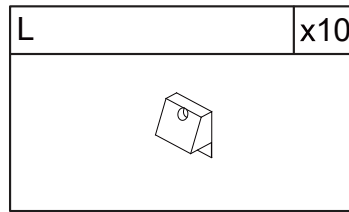


x3

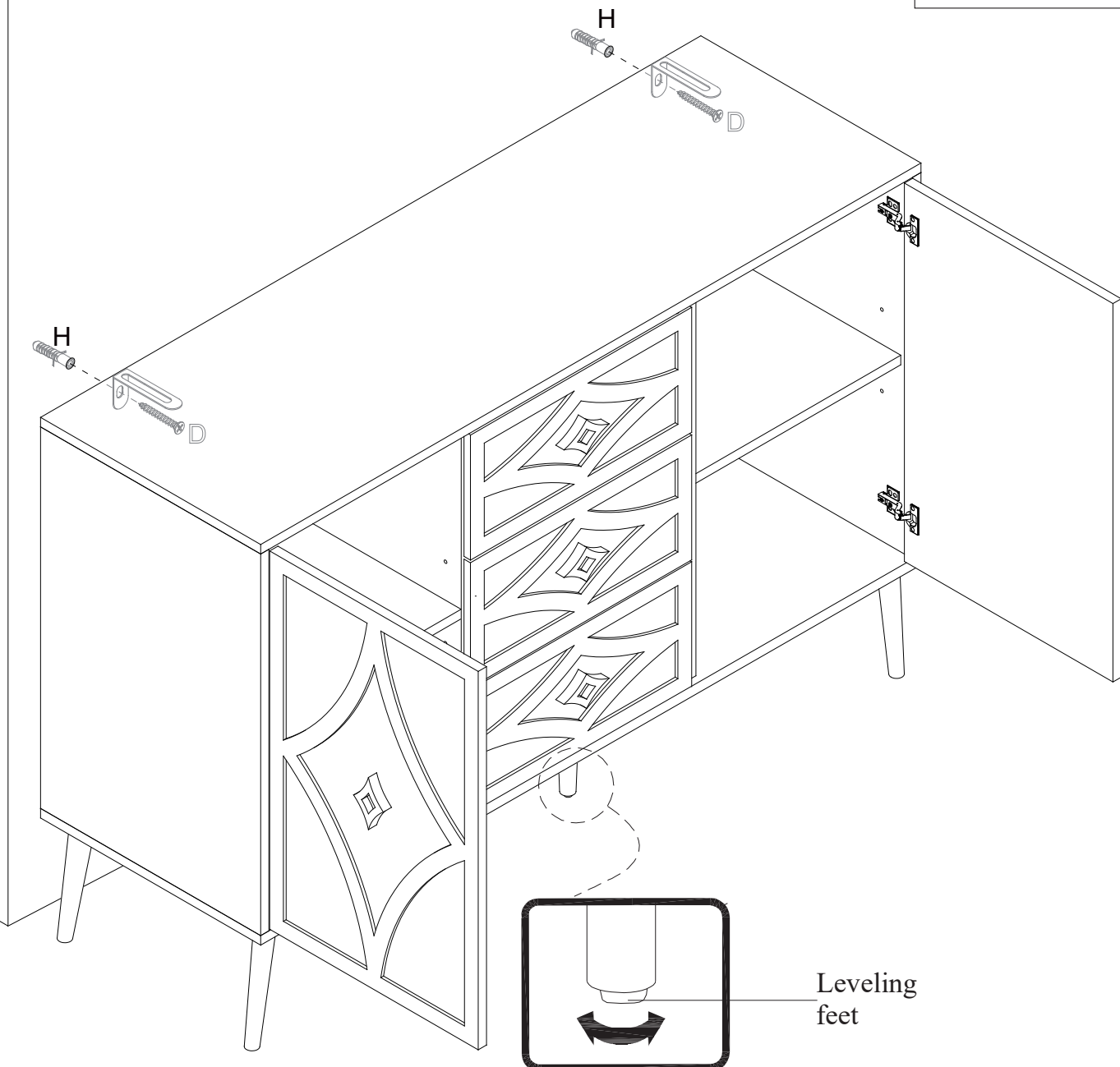
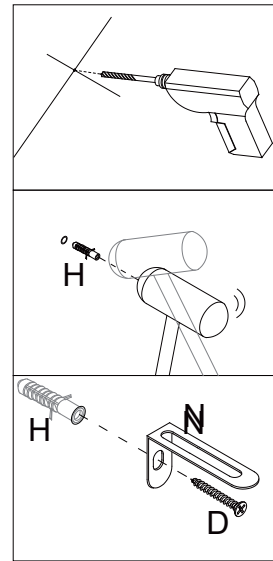
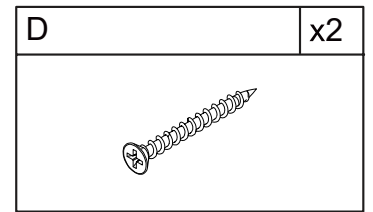
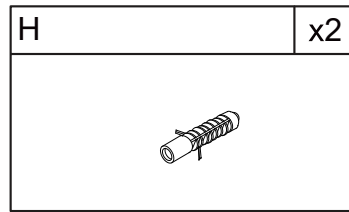
STEP 14



STEP 15



STEP 16



Proper Use

- DO NOT** use for commercial purposes
- DO NOT** use as a step stool or stand on table
- DO NOT** put hot serving liquid directly on the table top
- DO NOT** leave spilled liquid on the table top
- DO NOT** use table if damaged
- DO NOT** exceed weight limit
- DO NOT** make temporary repairs
- DO NOT** use outdoor

Dear Customer:

Thank you for purchasing our product,we wish you satisfy our service,if you have any further questions or any quality issues,please show the belows number and don't hesitate to contact our Customer Service People:

W1441S00014