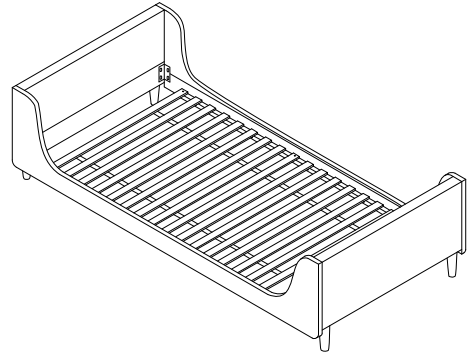
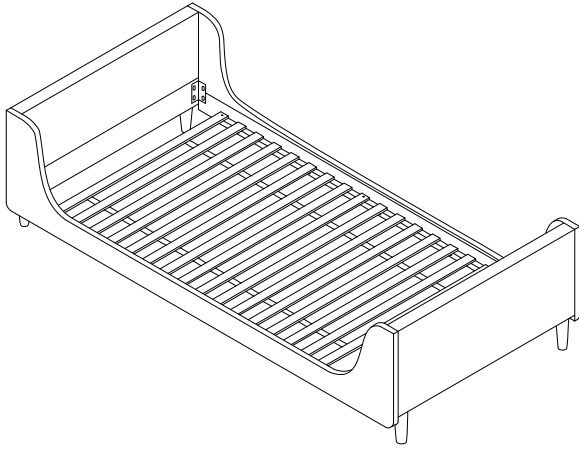


LAYE



20'

2

1/6

2544/LAYE/270125/

1	2	3	4
x 2	x 2	x 2	x 1

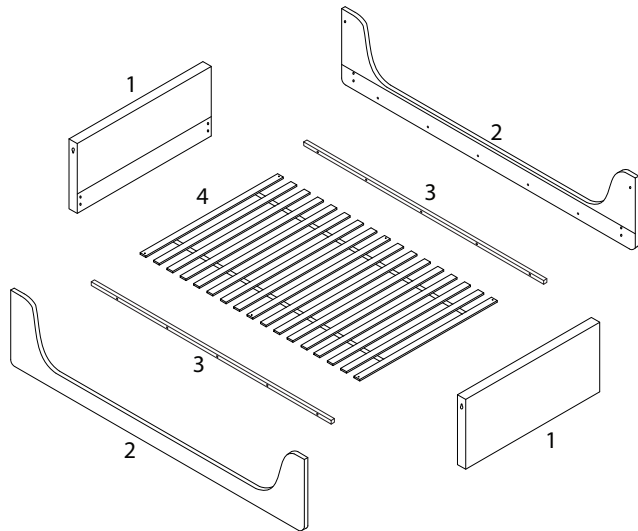
!

F F F F

1a

F

1b



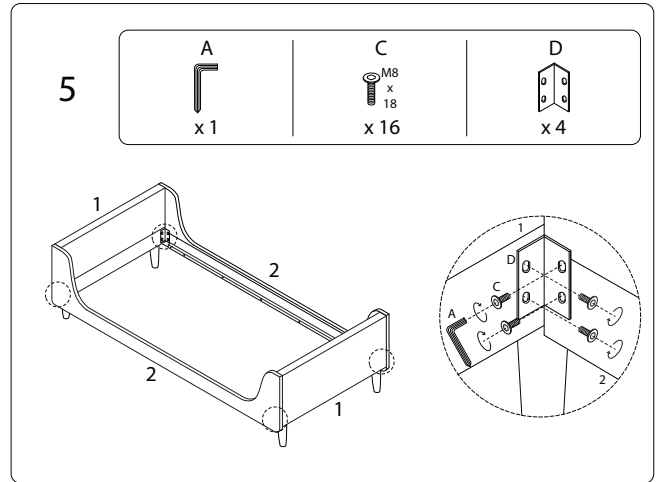
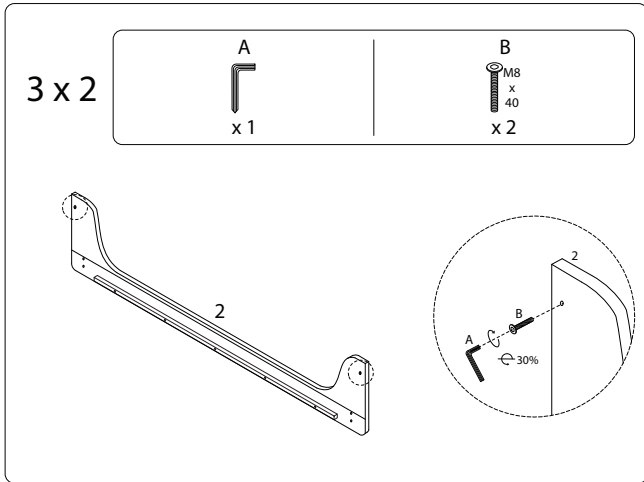
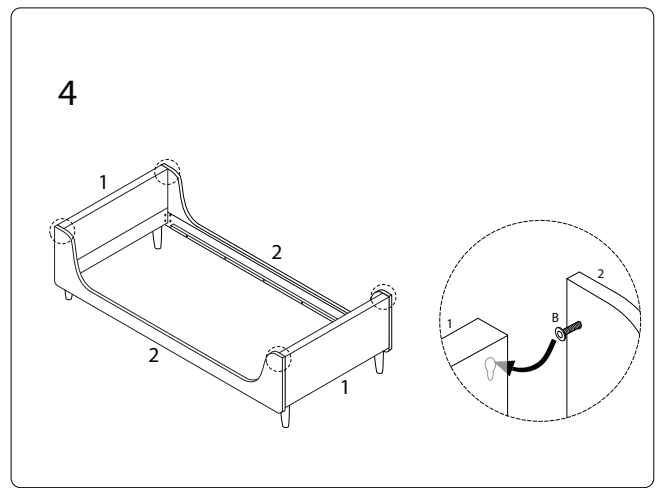
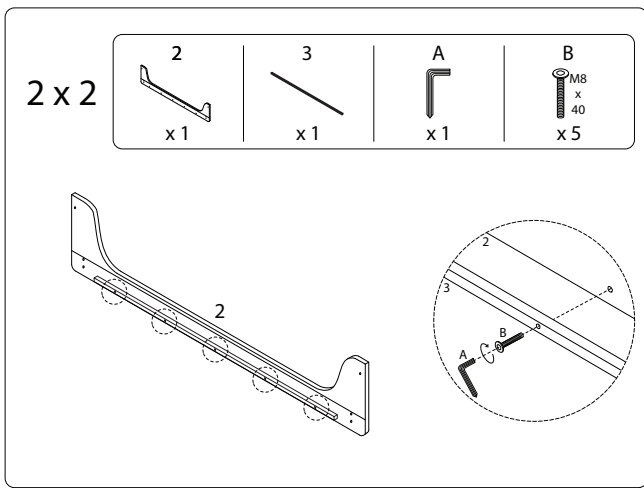
1 x 2

x 1

F

x 4

A	B	C	D	E	F
x 1	x 14	x 16	x 4	x 6	x 4

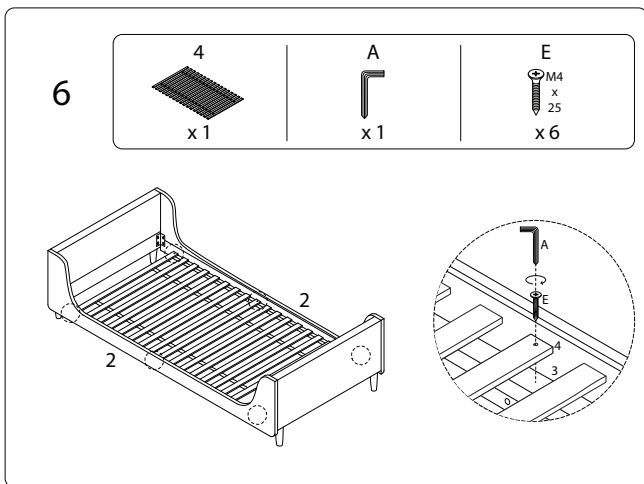


4/6

2544/LAYE270125/

5/6

2544/LAYE270125/



6/6

2544/LAYE270125/