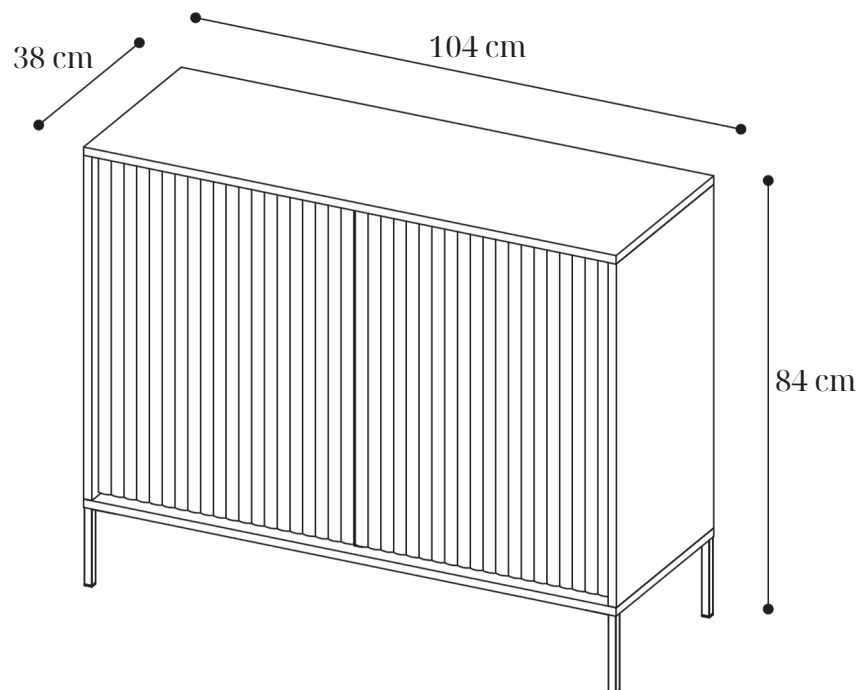
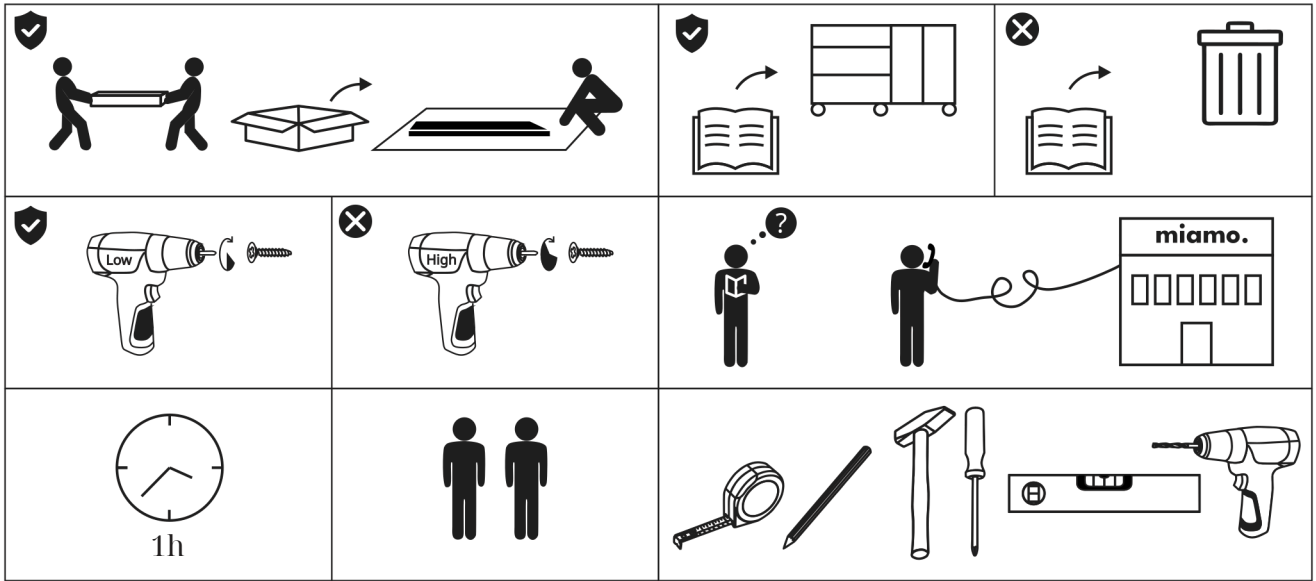
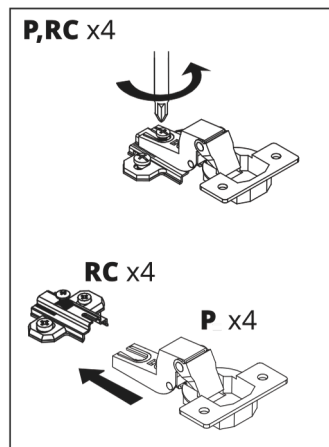


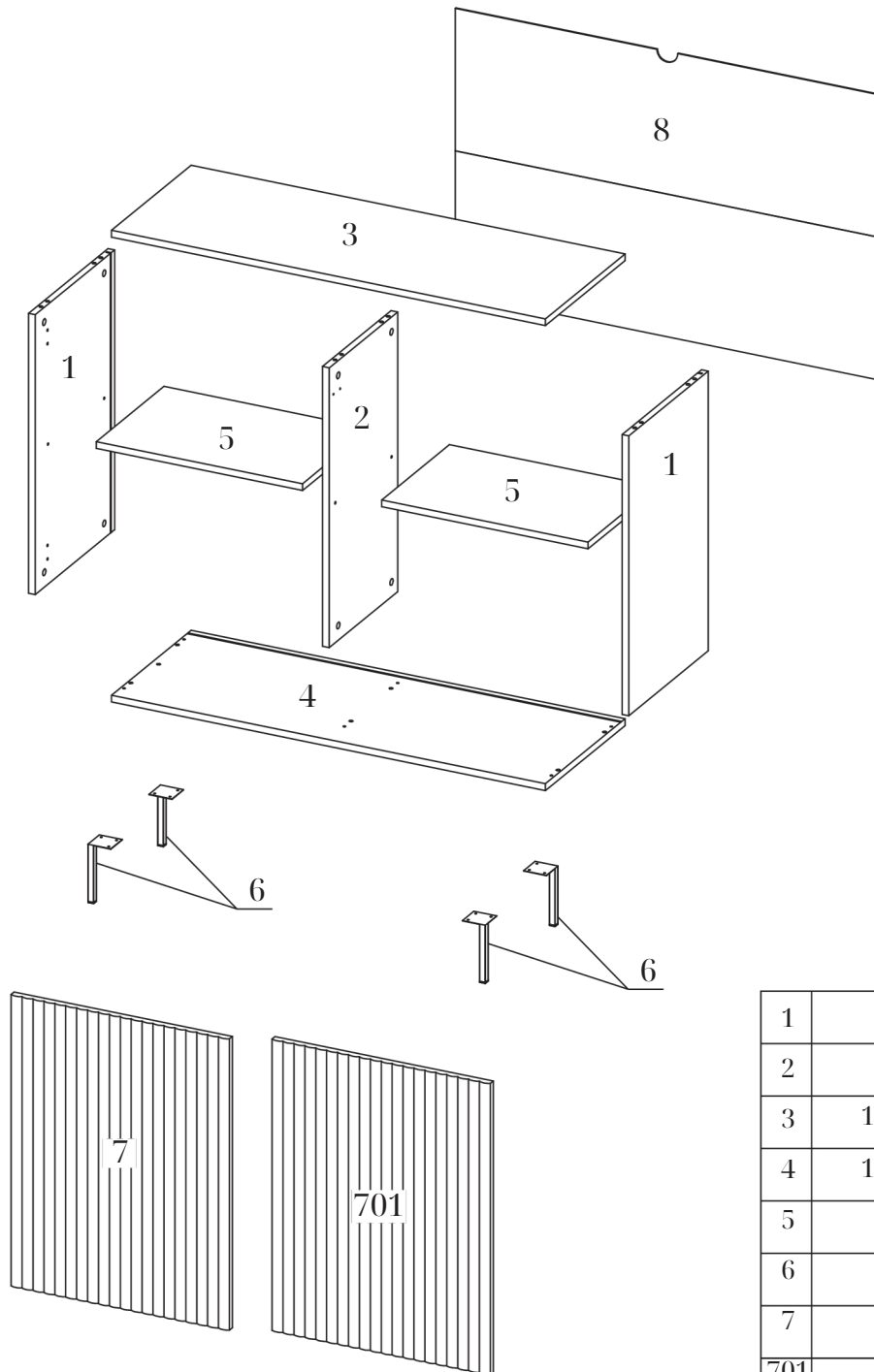
Montageanleitung





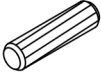


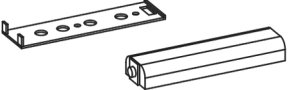

PTO x2 	A x12 <p>8x35mm</p>	B x12 <p>29,5mm</p>	C x12 <p>15x12mm</p>	F x12 	N x5 <p>3x25mm</p>	ND x17 <p>3,5x16mm</p>
TA x1 <p>77x30x15mm</p>	Z x8 <p>4mm</p>	X x8 	P,RC x4 	N2 x8 <p>3,5x12mm</p>		

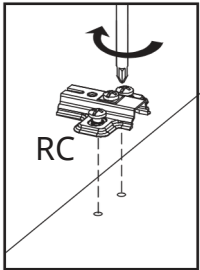







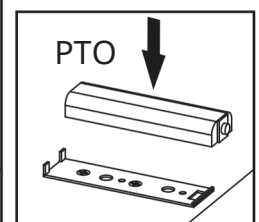
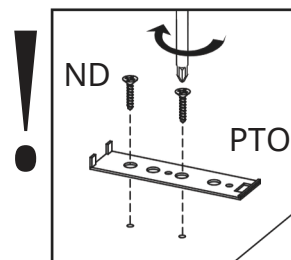
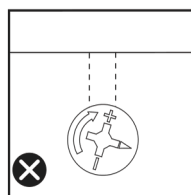
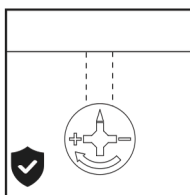
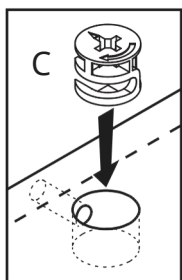
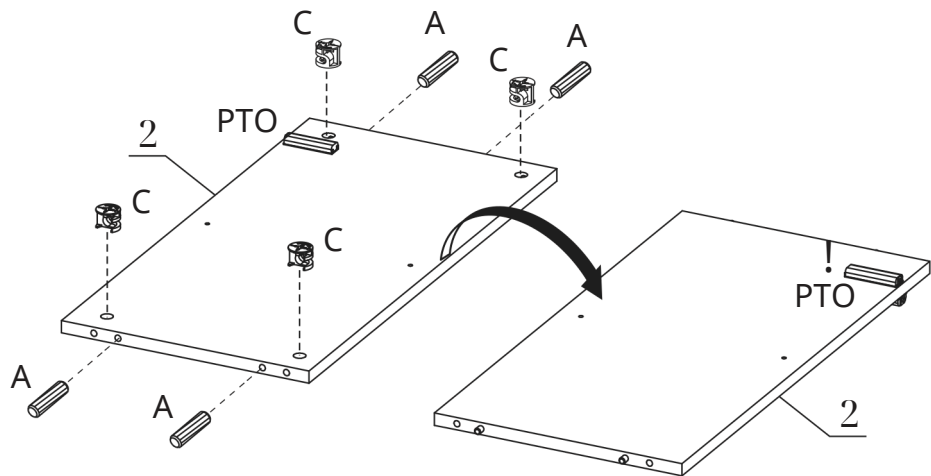
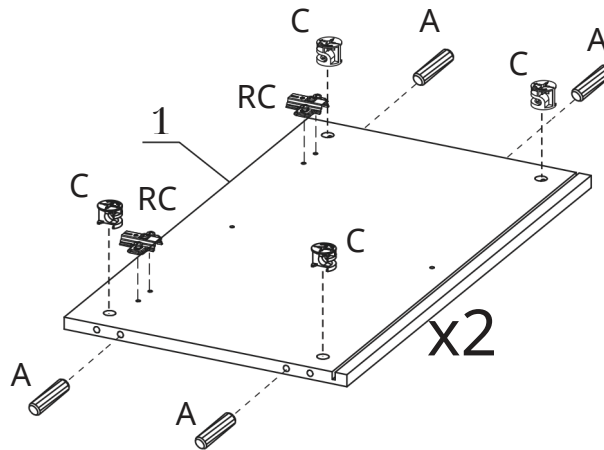
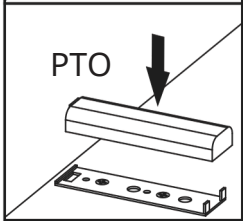
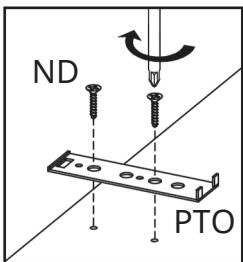
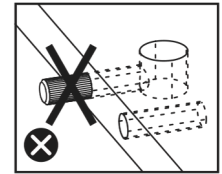
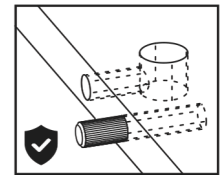
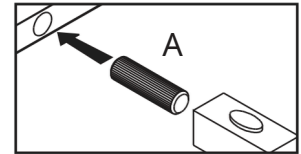
1	659x382x16mm
2	659x329x16mm
3	1043x382,5x16mm
4	1043x382,5x16mm
5	496x326x16mm
6	150x60x60mm
7	655x502x16mm
701	655x502x16mm
8	1020x336x3mm

1

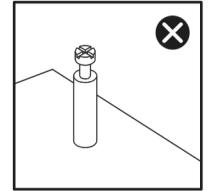
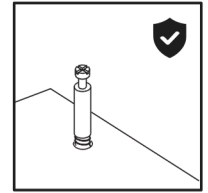
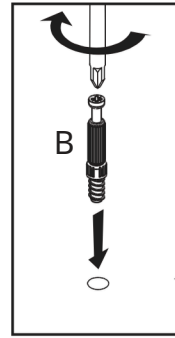
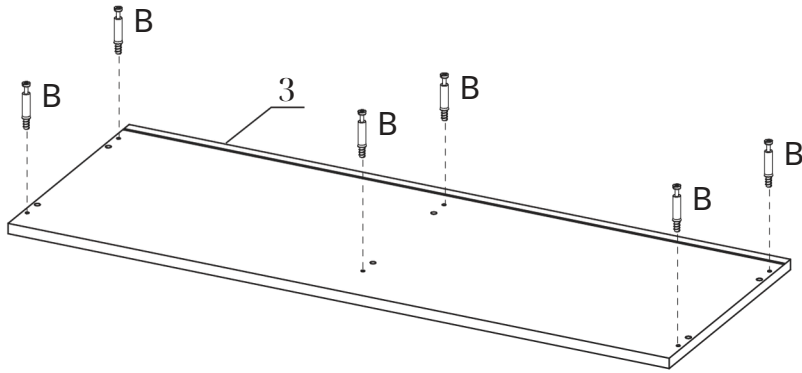
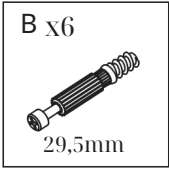
A x12  8x35mm	C x12  15x12mm	RC x4 	PTO x2 	ND x4  3,5x16mm
--	---	--	--	--



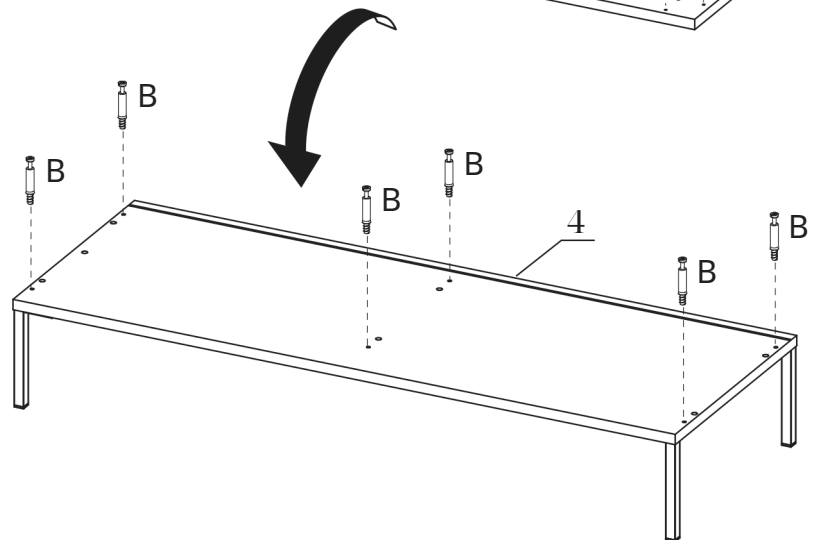
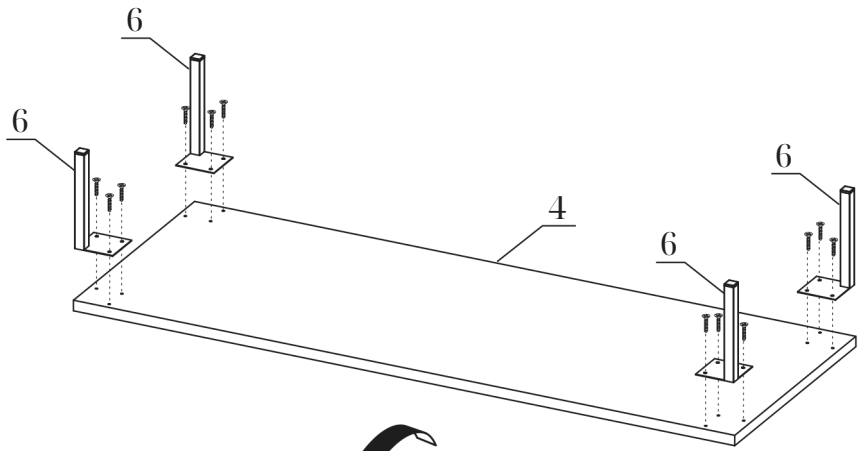
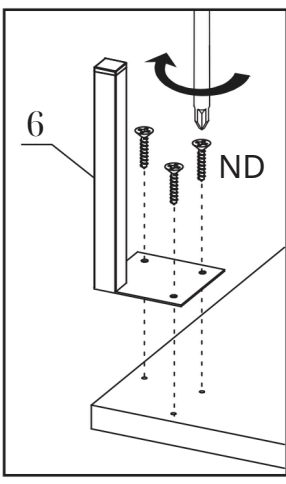
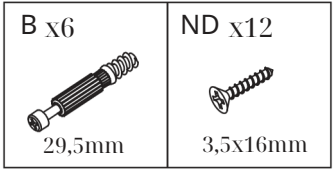
N  3x25mm	ND  3,5x16mm	N2  3,5x12mm
---	--	--



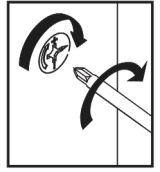
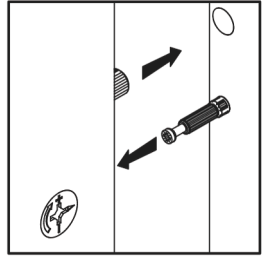
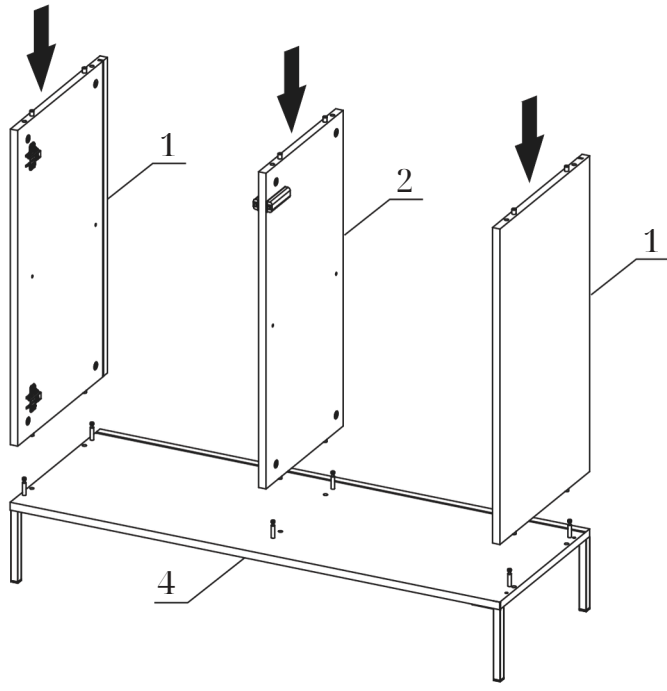
2



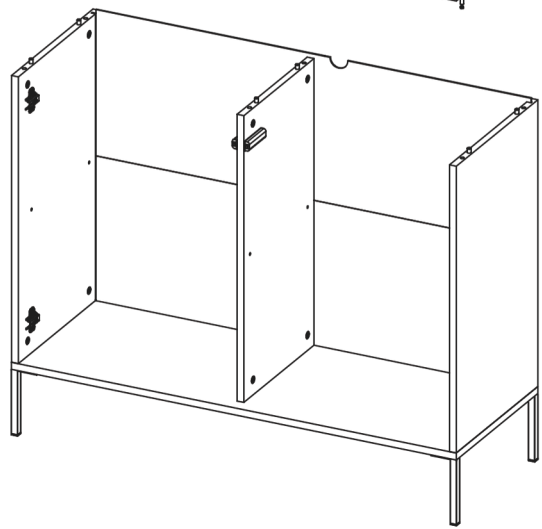
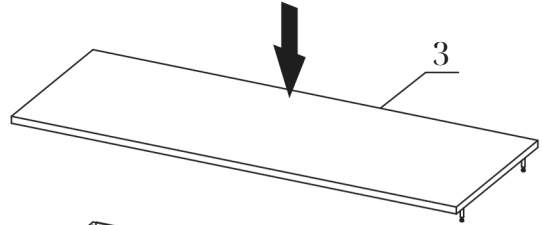
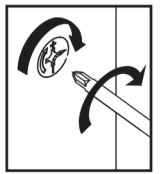
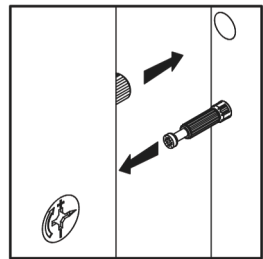
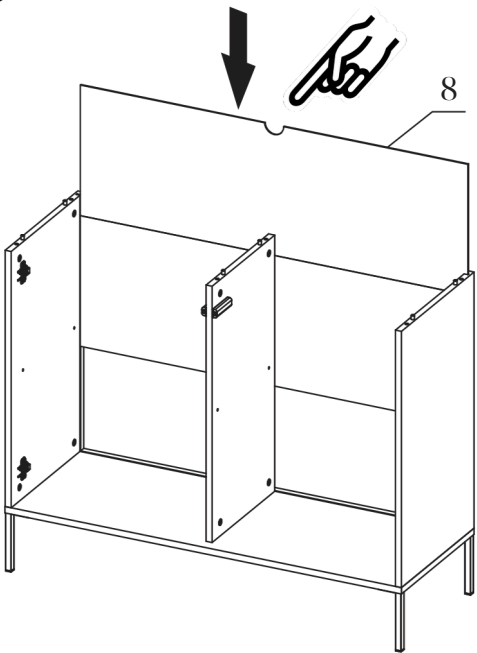
3



4

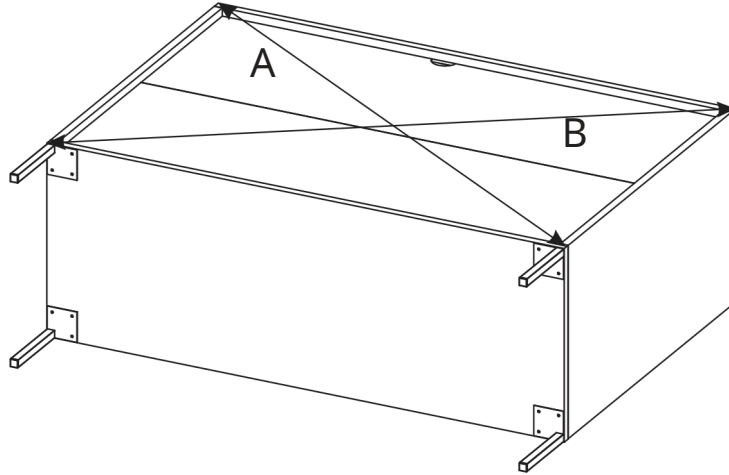
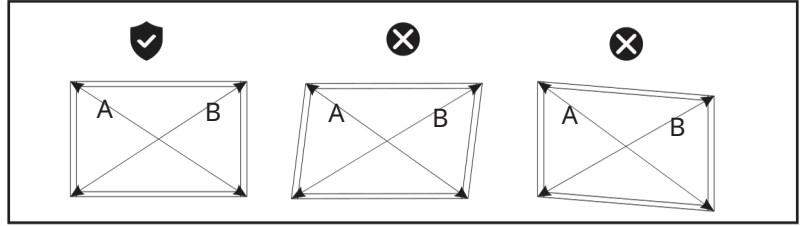
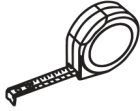


5

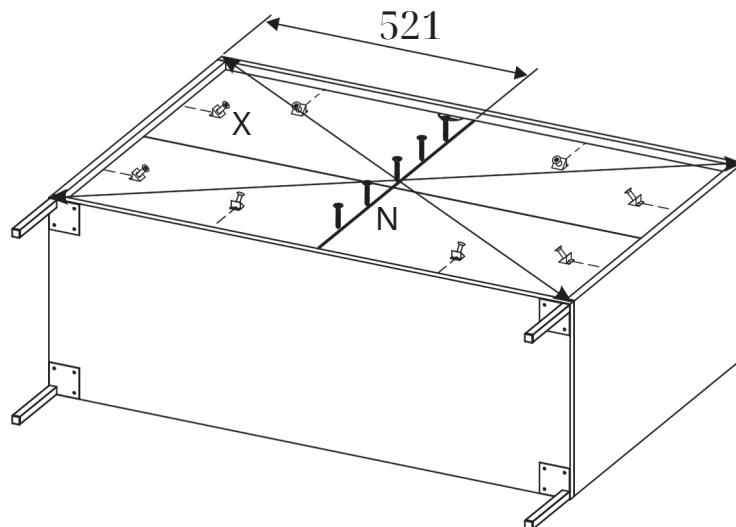
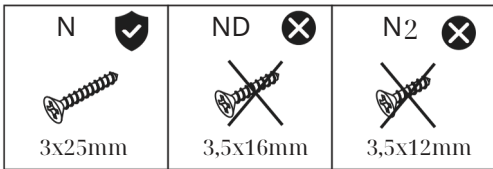
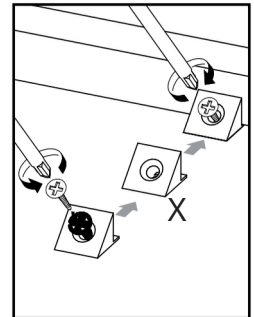
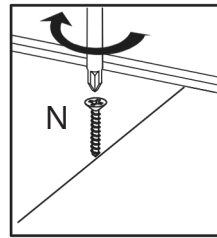
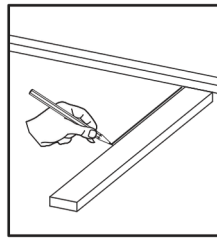
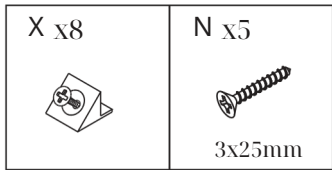


6

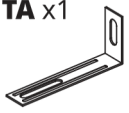

A=B

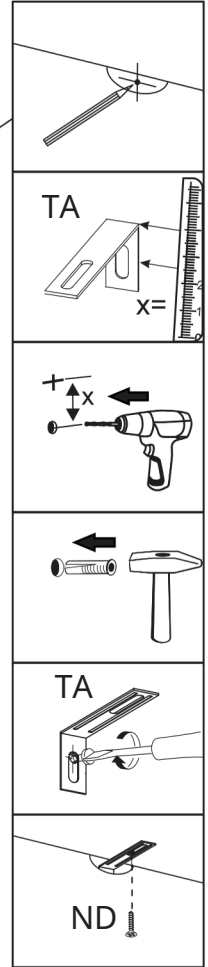
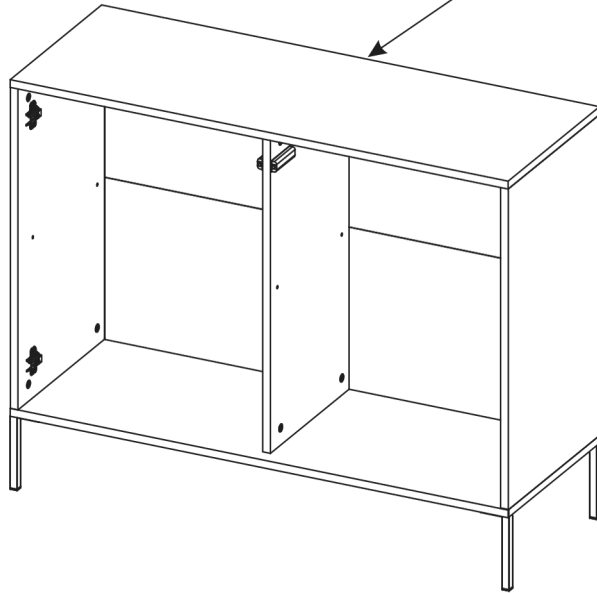
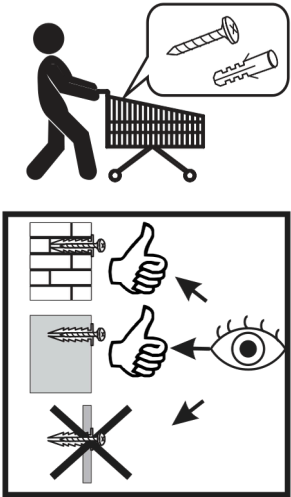


7

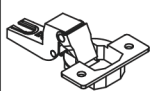







8

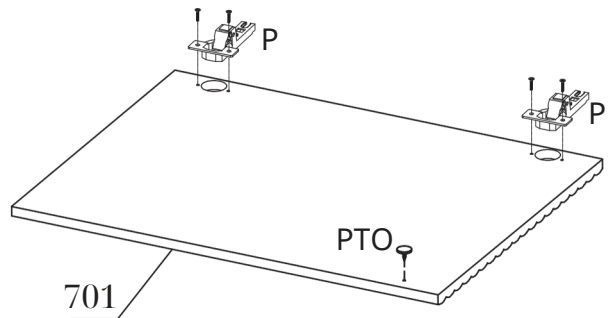
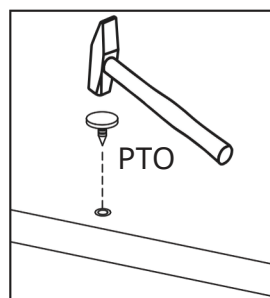
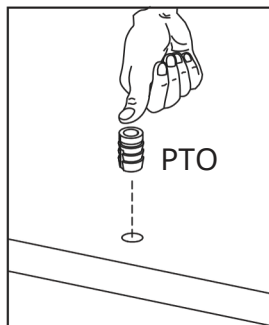
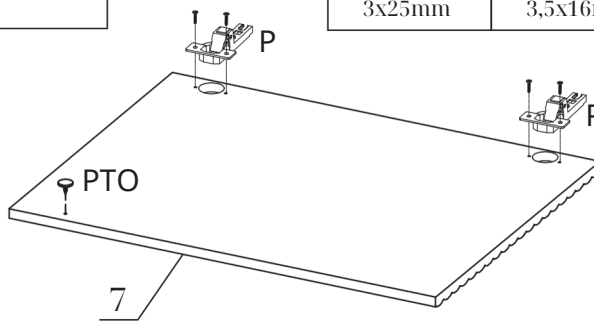
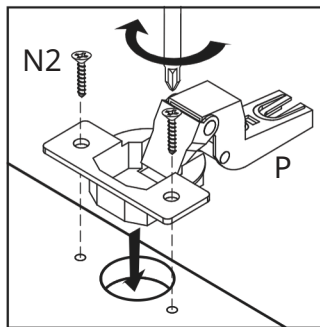
<p>TA x1</p>  <p>77x30x15mm</p>	<p>ND x1</p>  <p>3,5x16mm</p>
---	---





9

<p>P x4</p> 	<p>N2 x8</p>  <p>3,5x12mm</p>	<p>PTO x2</p> 
--	---	--

<p>N ❌</p>  <p>3x25mm</p>	<p>ND ❌</p>  <p>3,5x16mm</p>	<p>N2 ✅</p>  <p>3,5x12mm</p>
--	--	--



10

Z x8  4mm	F x12 
--	--

