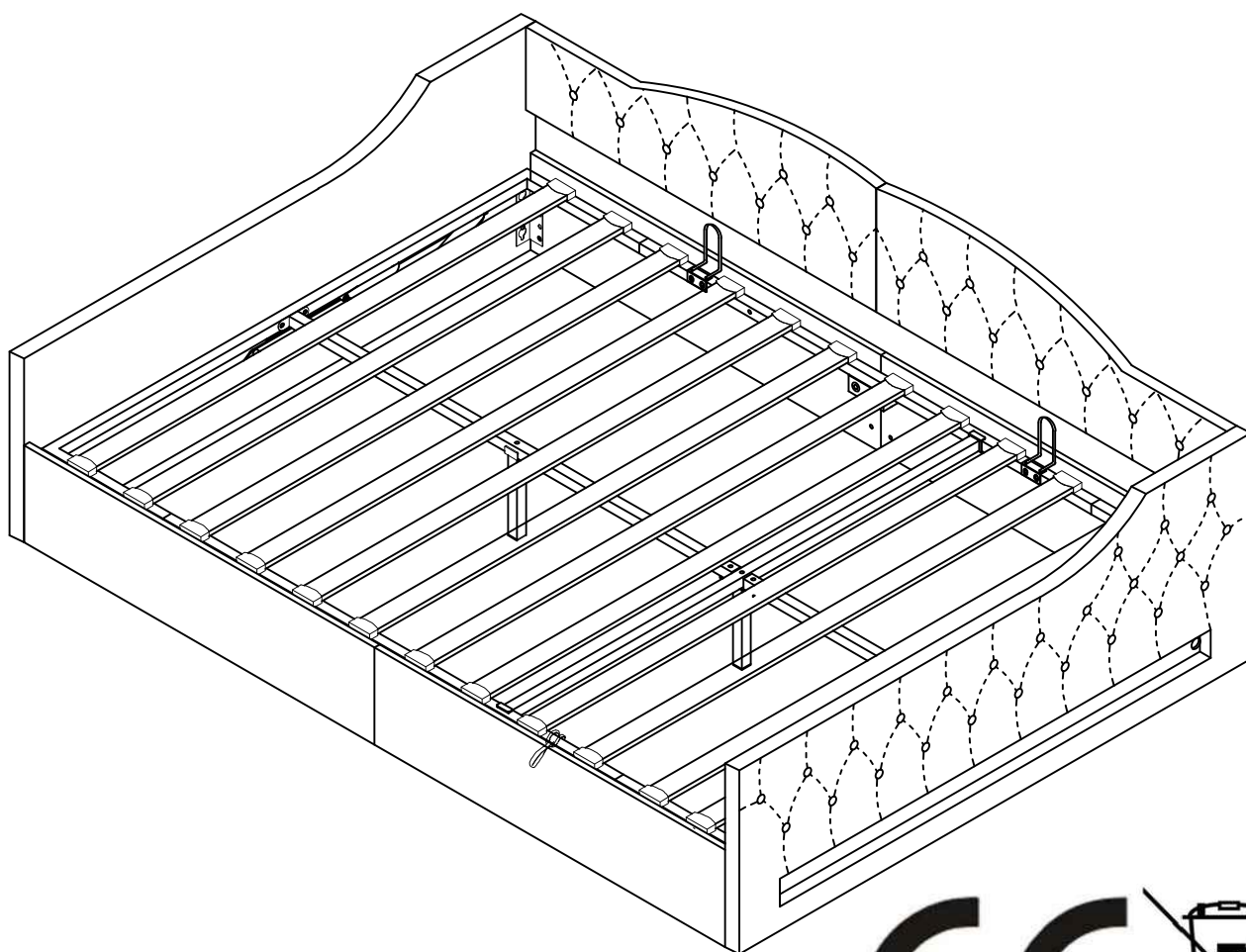


Montageanleitung | Instructions de montage
Assembly Instructions | Instrucciones de montaje
SKU NUMBER: N879P309024 N879P309025



GB This set comes in 2 boxes. If you do not receive a full set of 2 boxes, please contact our customer service.

DE Dieses Set wird in 2 Schachteln geliefert. Wenn Sie nicht ein komplettes Set von 2 Boxen erhalten, kontaktieren Sie bitte unseren Kundenservice.

FR Ce set est livré en 2 boîtes. Si vous ne recevez pas un jeu complet de 2 boîtes, veuillez contacter notre service clientèle.

English

IMPORTANT FOR GAS LIFT BEDS&MAINTAINCE

- Please place the mattress on top of the bed frame.
- Please do not pull on the strap handles.
- Please press heavily to release the compressed gas.
- Periodically check all screw & fixings to ensure they are secure.
- When moving your product, carefully lift into place.
- Wipe clean with a slightly damp cloth- please do not use abrasive chemicals or bleach.
- Do NOT allow children to operate the lift mechanism.
- Do NOT allow children near the lift base when operating the mechanism.
- Do NOT stand inside the bed or the internal storage base.
- Do NOT overload the internal storage base.
- DO NOT jump on the product or any of its parts.

Deutsch

WICHTIG FÜR GASLIFT-BETTEN&WARTUNG

- Bitte legen Sie die Matratze oben auf den Bettrahmen.
- Bitte ziehen Sie nicht an den Gurtgriffen.
- Bitte drücken Sie kräftig, um das komprimierte Gas freizusetzen.
- Überprüfen Sie regelmäßig alle Schrauben und Befestigungen, um sicherzustellen, dass sie sicher sind.
- Wenn Sie Ihr Produkt bewegen, heben Sie es vorsichtig an seinen Platz.
- Mit einem leicht feuchten Tuch abwischen - bitte keine scheuernden Chemikalien oder Bleichmittel verwenden.
- Erlauben Sie Kindern NICHT, den Hebemechanismus zu bedienen.
- Lassen Sie Kinder NICHT in die Nähe des Liftsockels, wenn Sie den Mechanismus bedienen.
- Stellen Sie sich NICHT in das Bett oder in die Innenablage.
- Überlasten Sie den internen Liftsockel NICHT.
- Springen Sie NICHT auf das Produkt oder eines seiner Teile.

Français

IMPORTANT POUR LES LITS À RELEVAGE DE GAZ&MAINTENANCE

- Veuillez placer le matelas sur le dessus du cadre de lit.
- Ne tirez pas sur les poignées de la sangle.
- Appuyez fortement pour libérer le gaz comprimé.
- Vérifiez régulièrement que toutes les vis et fixations sont bien en place.
- Lorsque vous déplacez votre produit, soulevez-le avec précaution pour le mettre en place.
- Nettoyez avec un chiffon légèrement humide - n'utilisez pas de produits chimiques abrasifs ou d'eau de Javel.
- Ne laissez pas les enfants utiliser le mécanisme de levage.
- Ne laissez pas les enfants s'approcher de la base de levage lorsqu'ils actionnent le mécanisme.
- Ne vous tenez PAS à l'intérieur du lit ou de la base de stockage interne.
- Ne surchargez pas la base de stockage interne.
- Ne pas sauter sur le produit ou l'une de ses parties.

Italiano

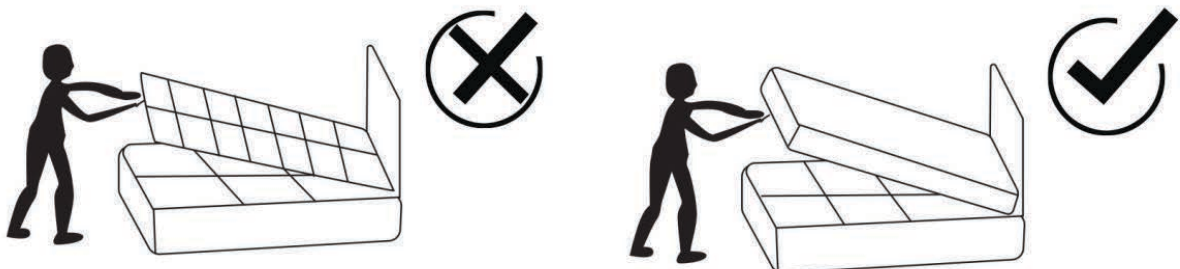
IMPORTANTE PER I LETTI CON SOLLEVAMENTO A GAS E LA MANUTENZIONE

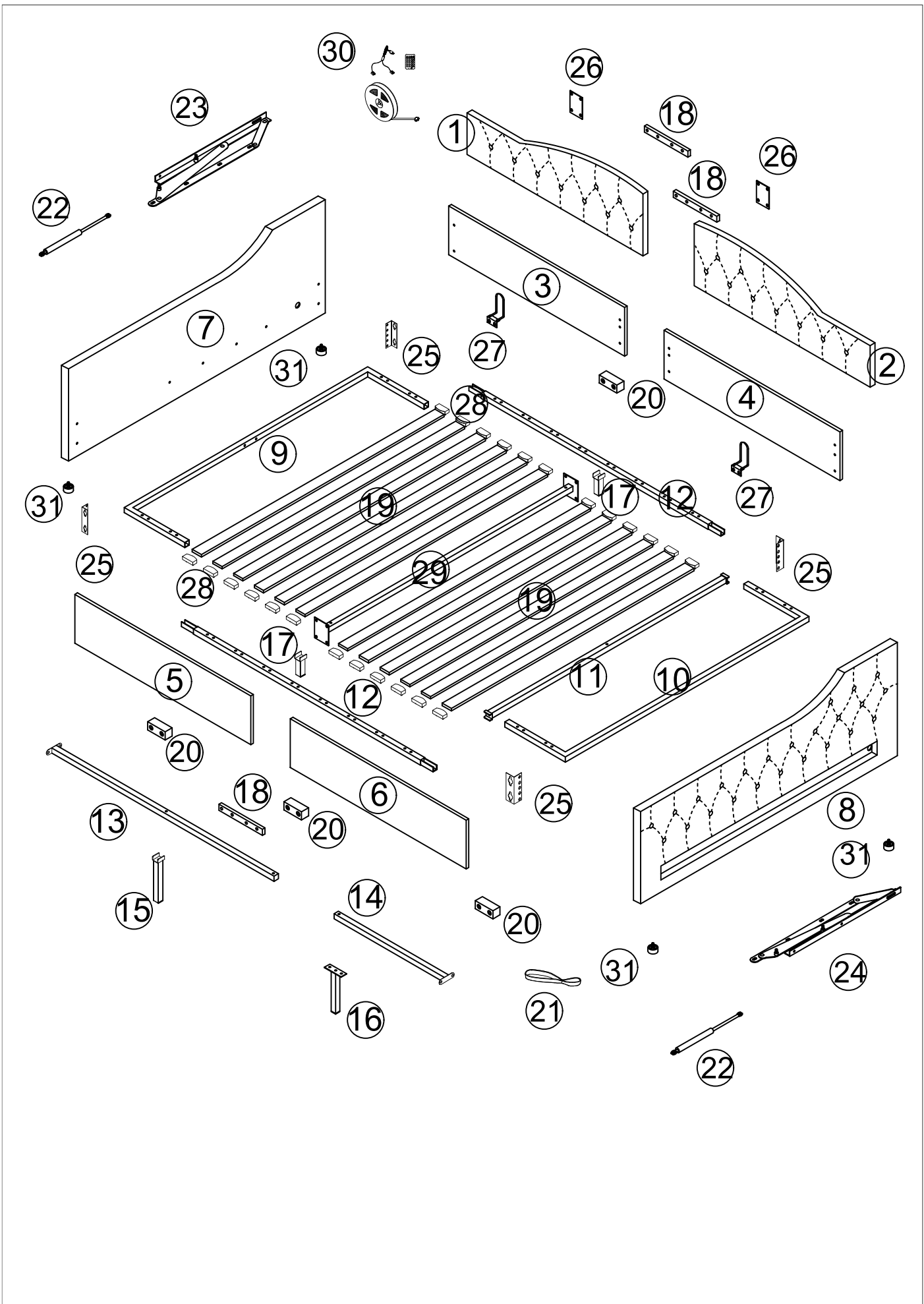
- Posizionare il materasso sopra la struttura del letto.
- Non tirare le maniglie della cinghia.
- Premere con forza per rilasciare il gas compresso.
- Controllare periodicamente tutte le viti e i fissaggi per assicurarsi che siano saldi.
- Quando si sposta il prodotto, sollevarlo con cautela.
- Pulire con un panno leggermente umido, senza usare prodotti chimici abrasivi o candeggina.
- NON permettere ai bambini di azionare il meccanismo di sollevamento.
- NON permettere ai bambini di avvicinarsi alla base di sollevamento quando si aziona il meccanismo.
- NON sostare all'interno del letto o della base di contenimento interna.
- NON sovraccaricare la base di contenimento interna.
- NON saltare sul prodotto o sulle sue parti.

Español

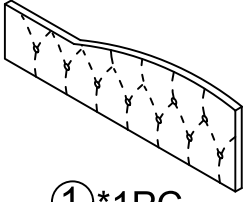
IMPORTANTE PARA LAS CAMAS ELEVADORAS DE GAS&MANTENIMIENTO

- Coloque el colchón sobre el somier.
- No tire de las asas de la correa.
- Presione con fuerza para liberar el gas comprimido.
- Compruebe periódicamente que todos los tornillos y fijaciones estén bien sujetos.
- Al mover el producto, levántelo con cuidado para colocarlo en su sitio.
- Limpie con un paño ligeramente humedecido; no utilice productos químicos abrasivos ni lejía.
- NO permita que los niños accionen el mecanismo de elevación.
- NO permita que los niños se acerquen a la base elevadora cuando accionen el mecanismo.
- NO se ponga de pie dentro de la cama o de la base de almacenamiento interna.
- NO sobrecargue el somier.
- NO salte sobre el producto ni sobre ninguna de sus piezas.

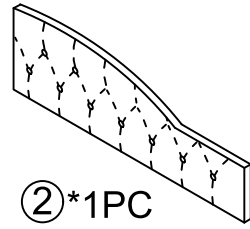




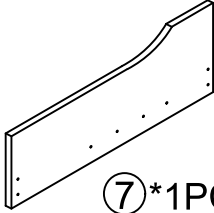
N879P309024



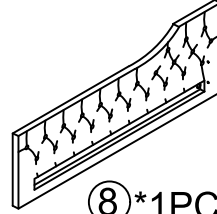
①*1PC



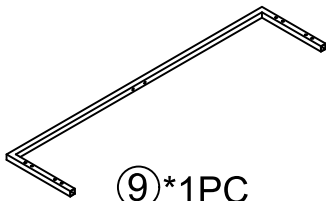
②*1PC



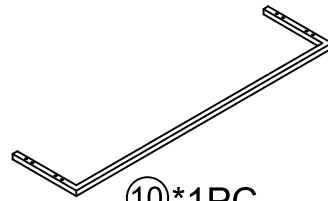
⑦*1PC



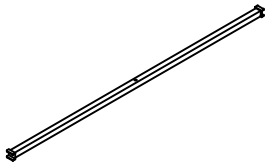
⑧*1PC



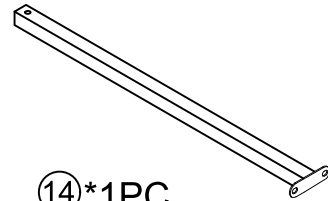
⑨*1PC



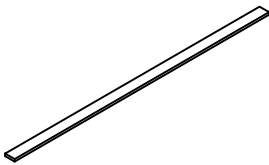
⑩*1PC



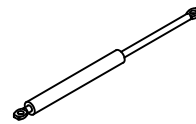
⑪*1PC



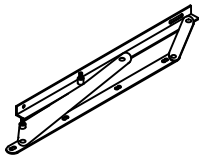
⑭*1PC



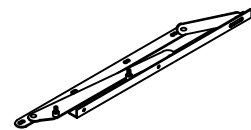
⑲*12PCS



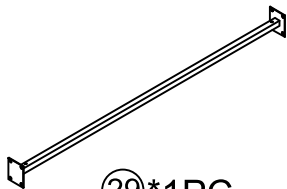
⑳*2PCS



㉓*1PC

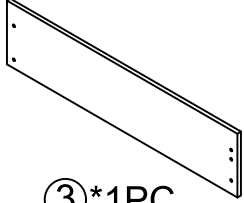
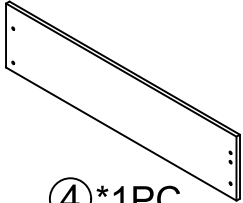
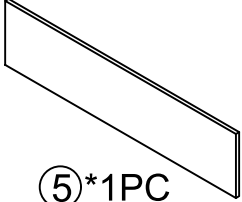
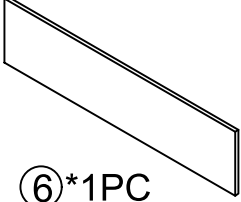
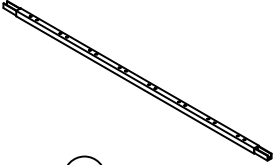
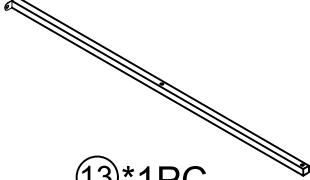

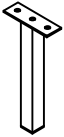

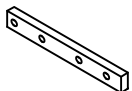




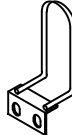
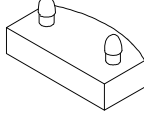
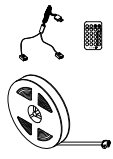
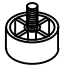


㉔*1PC

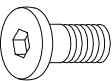
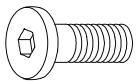
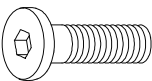
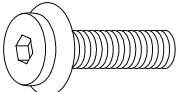
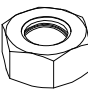

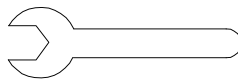


㉙*1PC

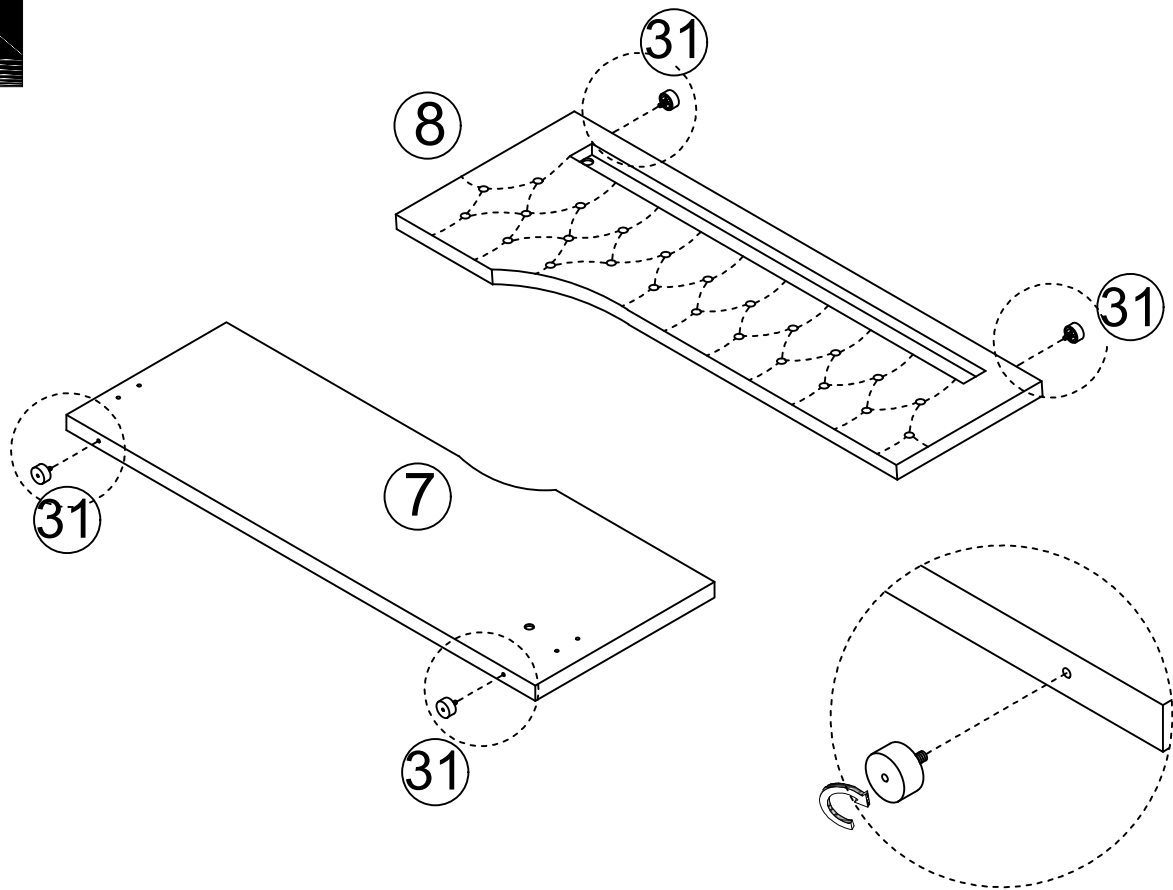
N879P309025

 <p>③*1PC</p>		 <p>④*1PC</p>	
 <p>⑤*1PC</p>		 <p>⑥*1PC</p>	
 <p>⑫*2PCS</p>		 <p>⑬*1PC</p>	
 <p>⑮*1PC</p>	 <p>⑯*1PC</p>	 <p>⑰*2PCS</p>	 <p>⑱*2PCS</p>
 <p>⑳*4PCS</p>	 <p>㉑*1PC</p>	 <p>㉕*4PCS</p>	 <p>㉖*2PCS</p>
 <p>㉗*2PCS</p>	 <p>㉘*24PCS</p>	 <p>㉚*1PC</p>	 <p>㉛*4PCS</p>

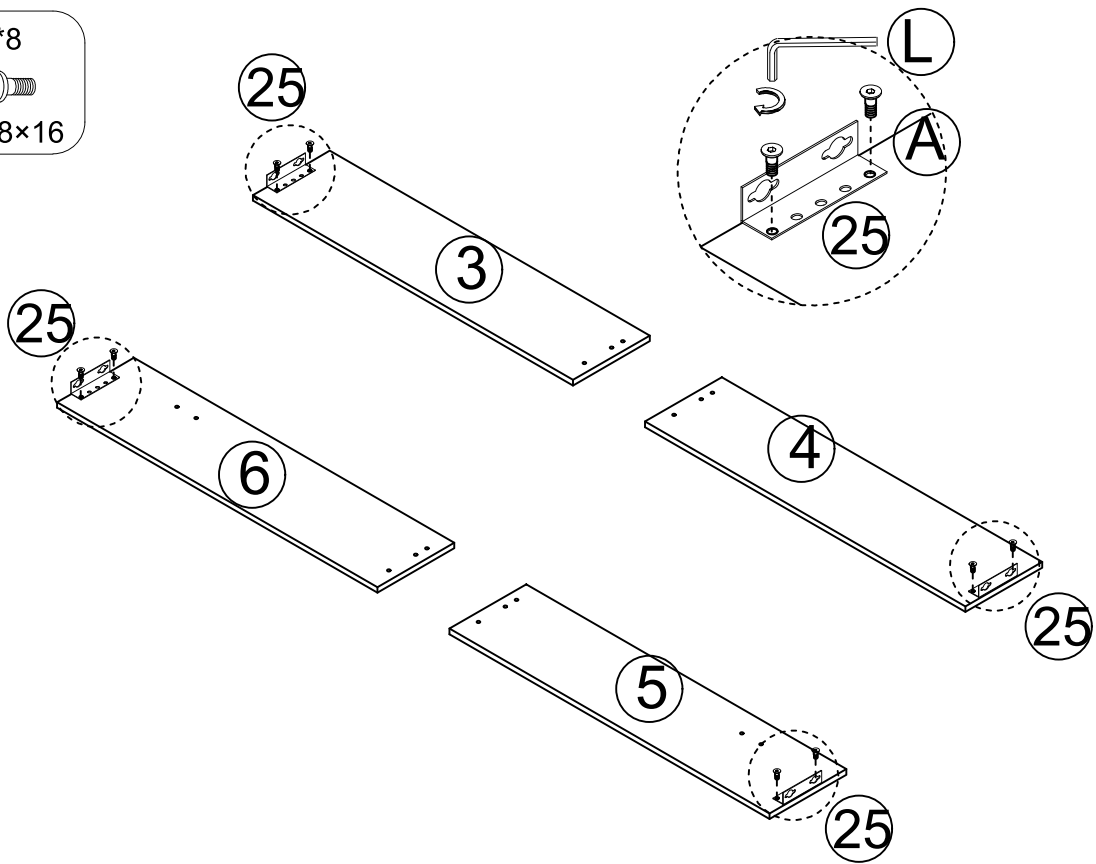
Hardware List-Hardwareliste N879P309025

 <p>M8×16 mm A*54PCS</p>	 <p>M8×20 mm B*8PCS</p>	 <p>M8×34mm C*16PCS</p>	 <p>M8×45mm D*8PCS</p>
 <p>M8 E*4PCS</p>	 <p>S5 L*1PC</p>	 <p>M8 Spanner N*1PC</p>	

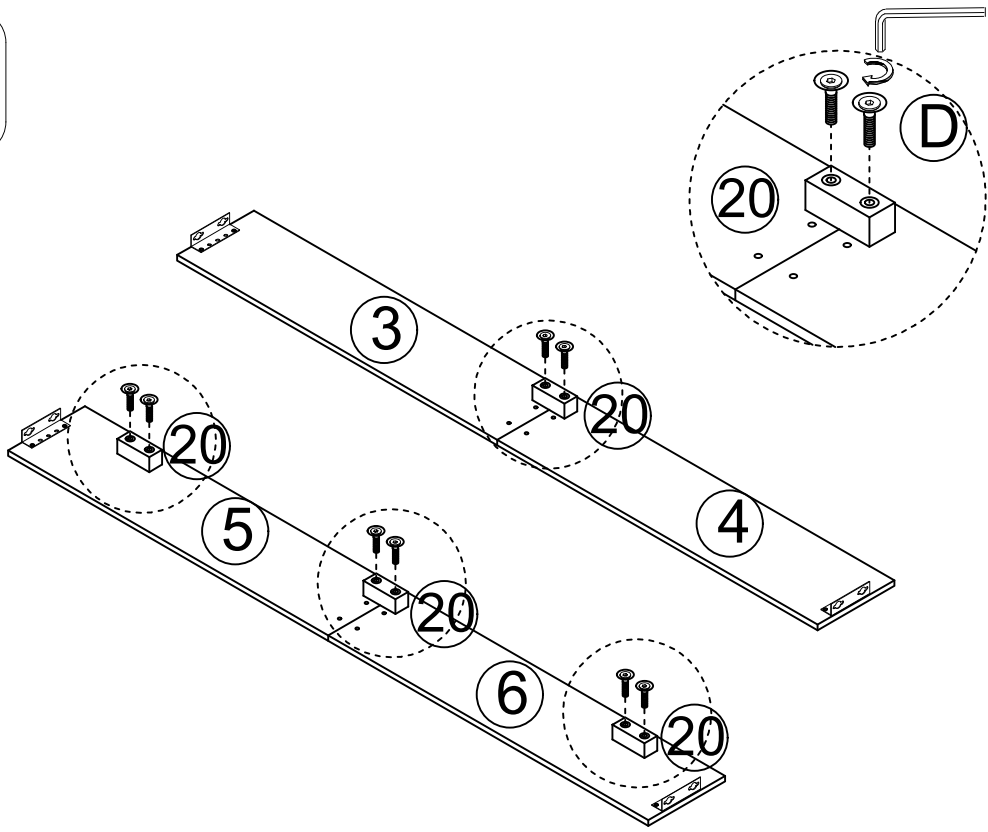
1



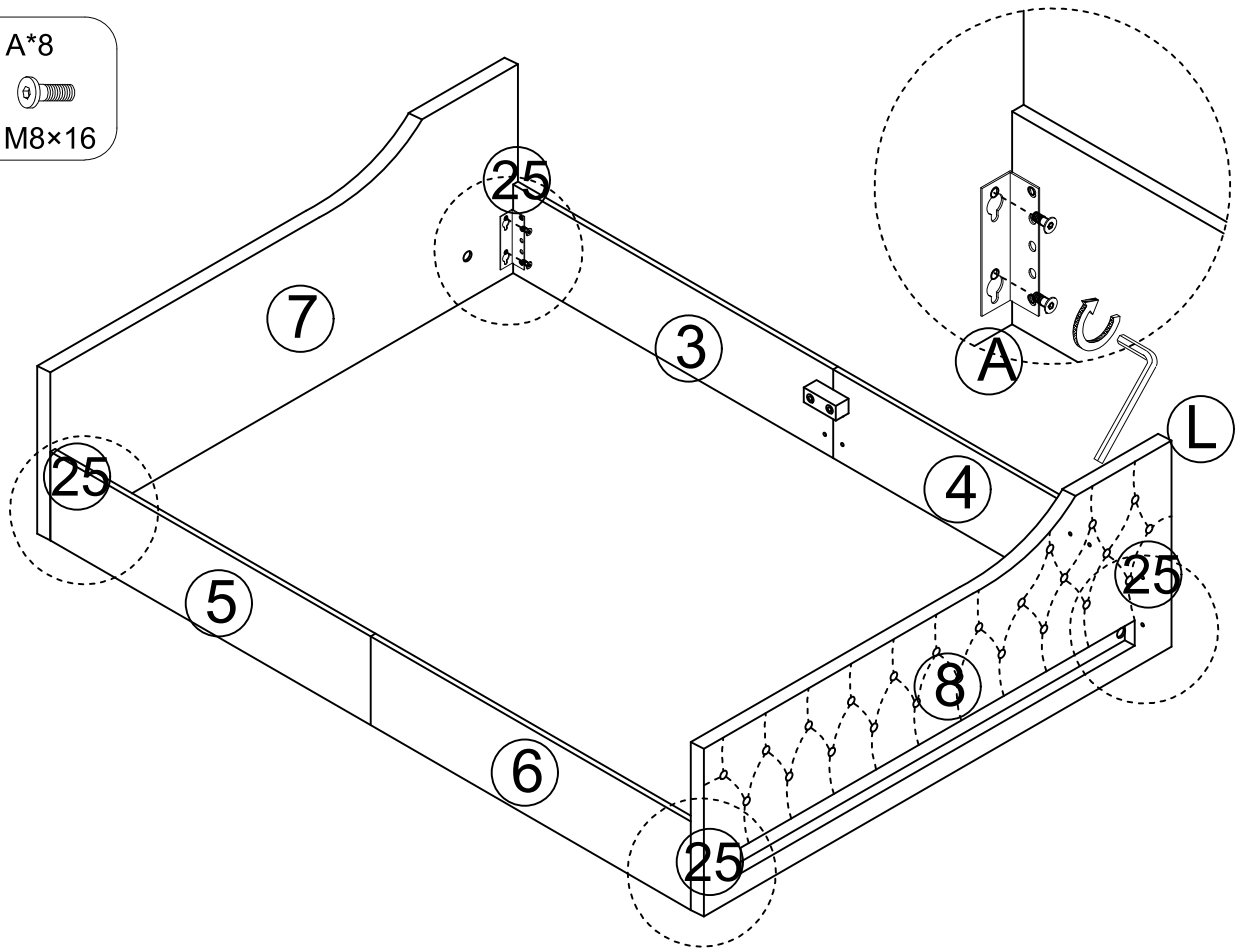
2
A*8
M8×16



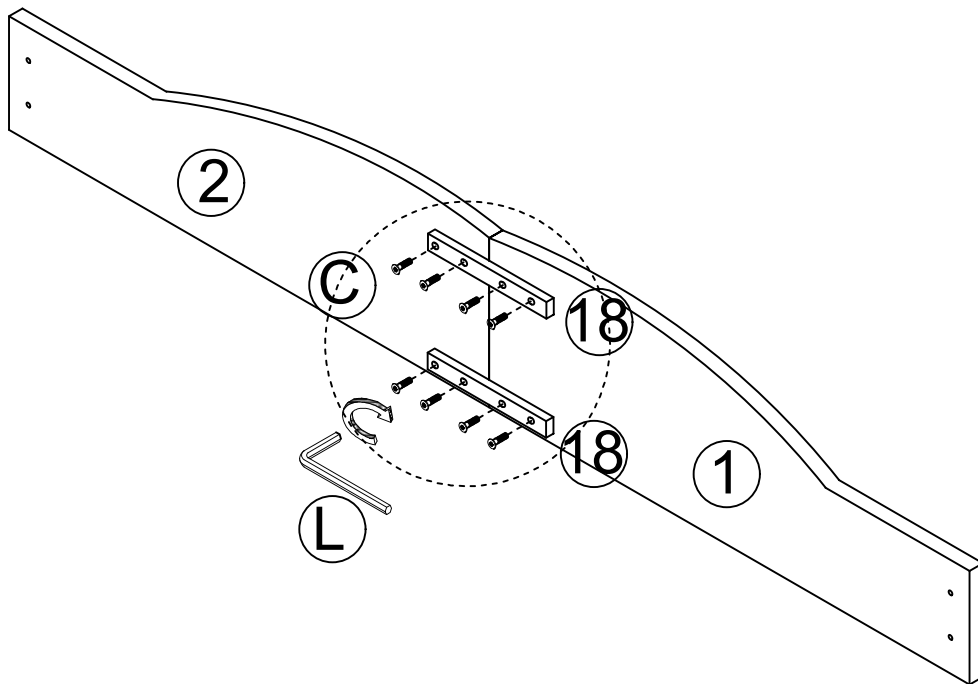
3 D*8
M8×45



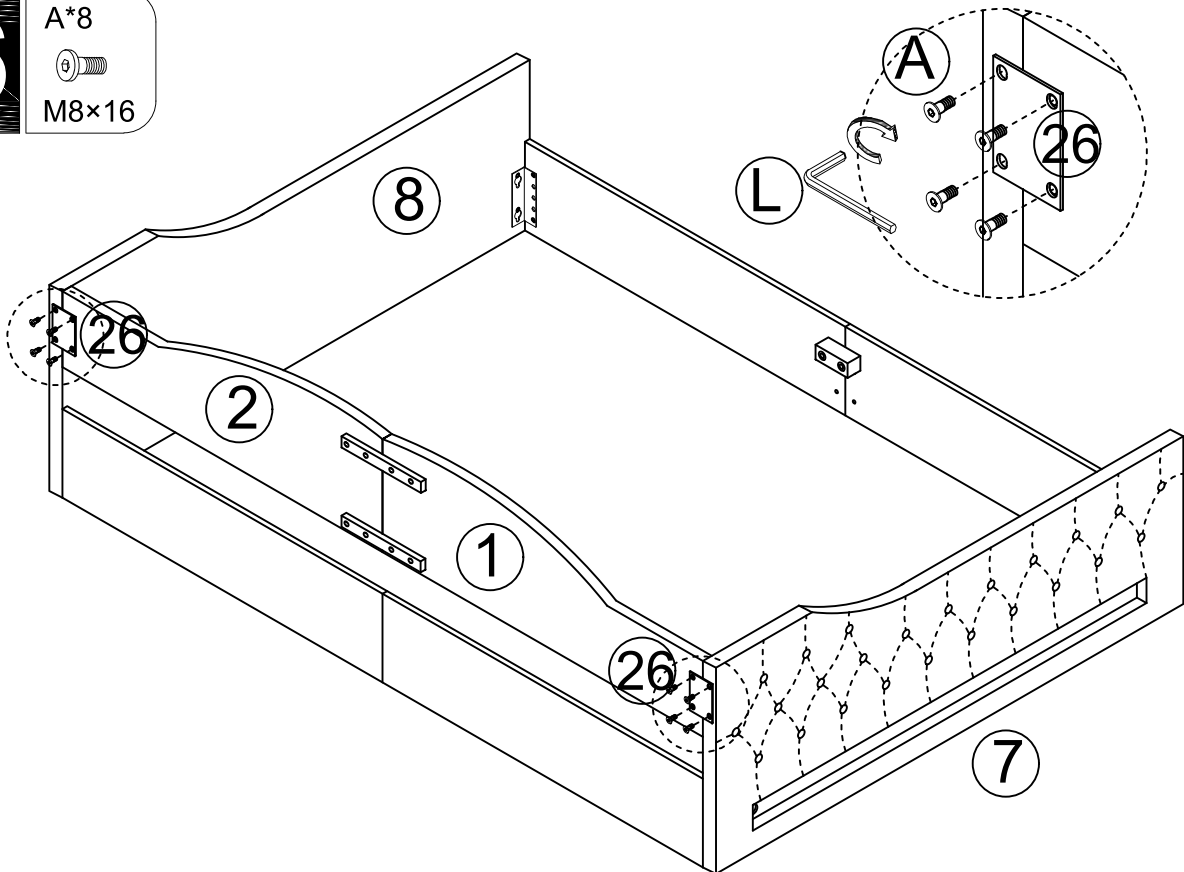
4 A*8
M8×16



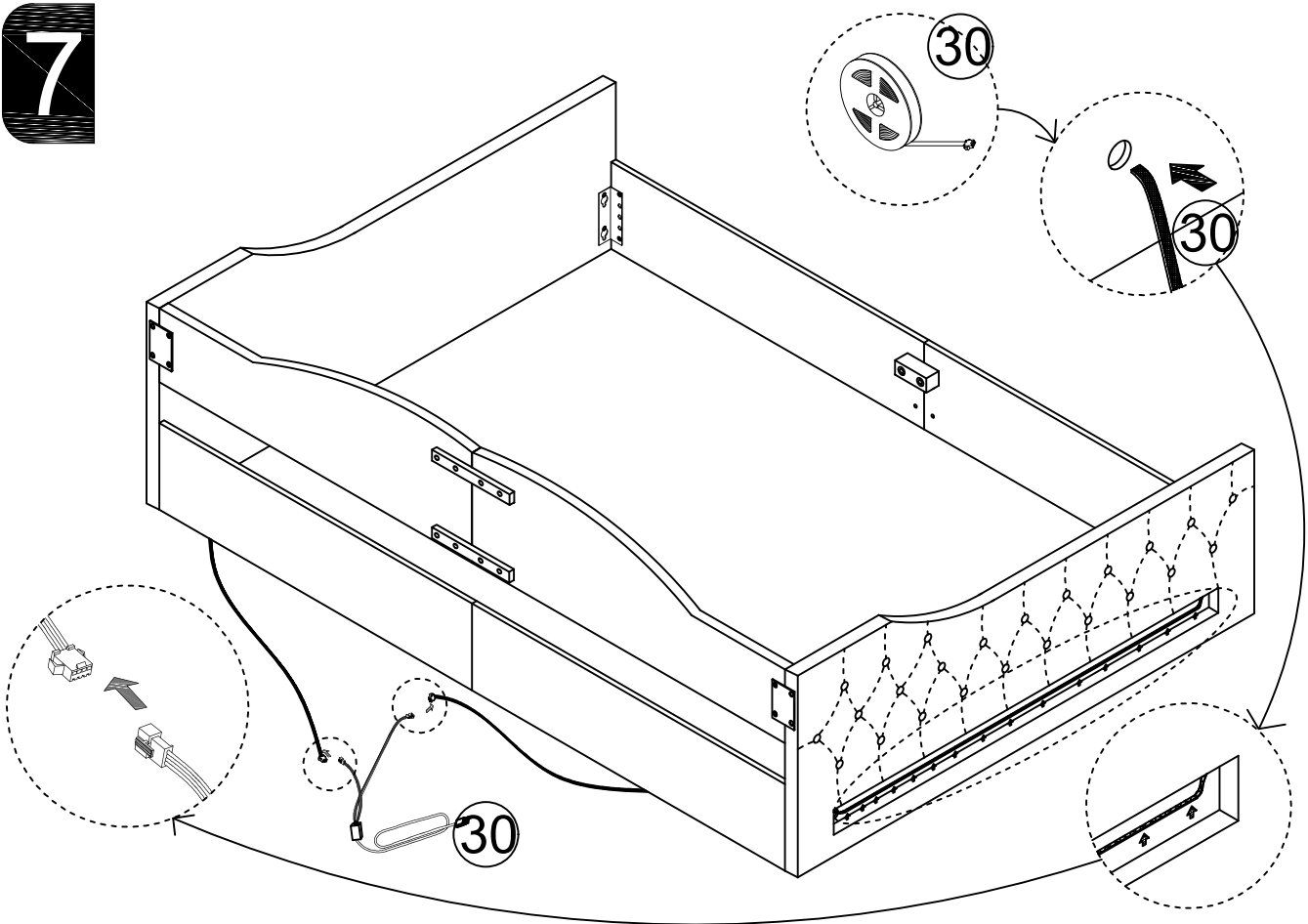
5 C*8
M8×34



6 A*8
M8×16

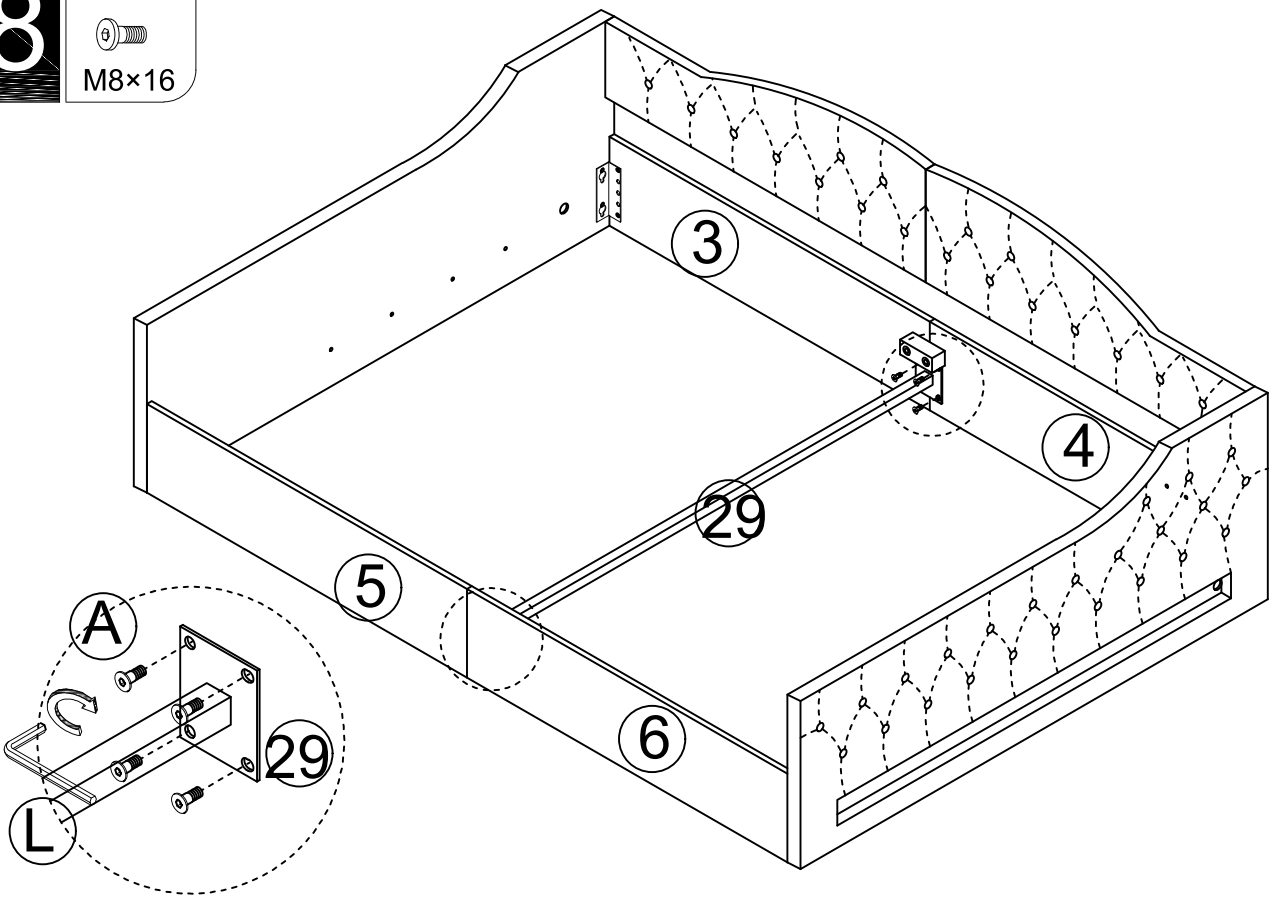


7

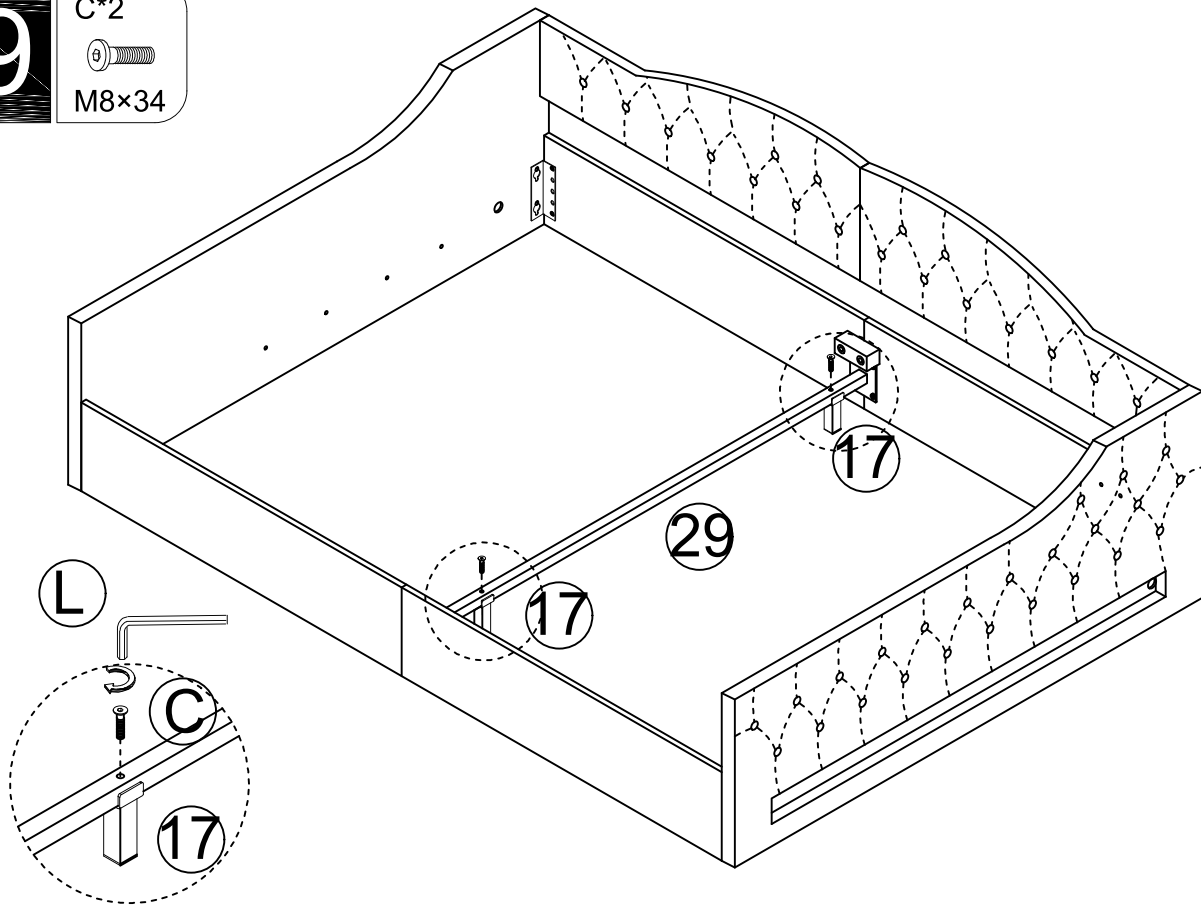


8

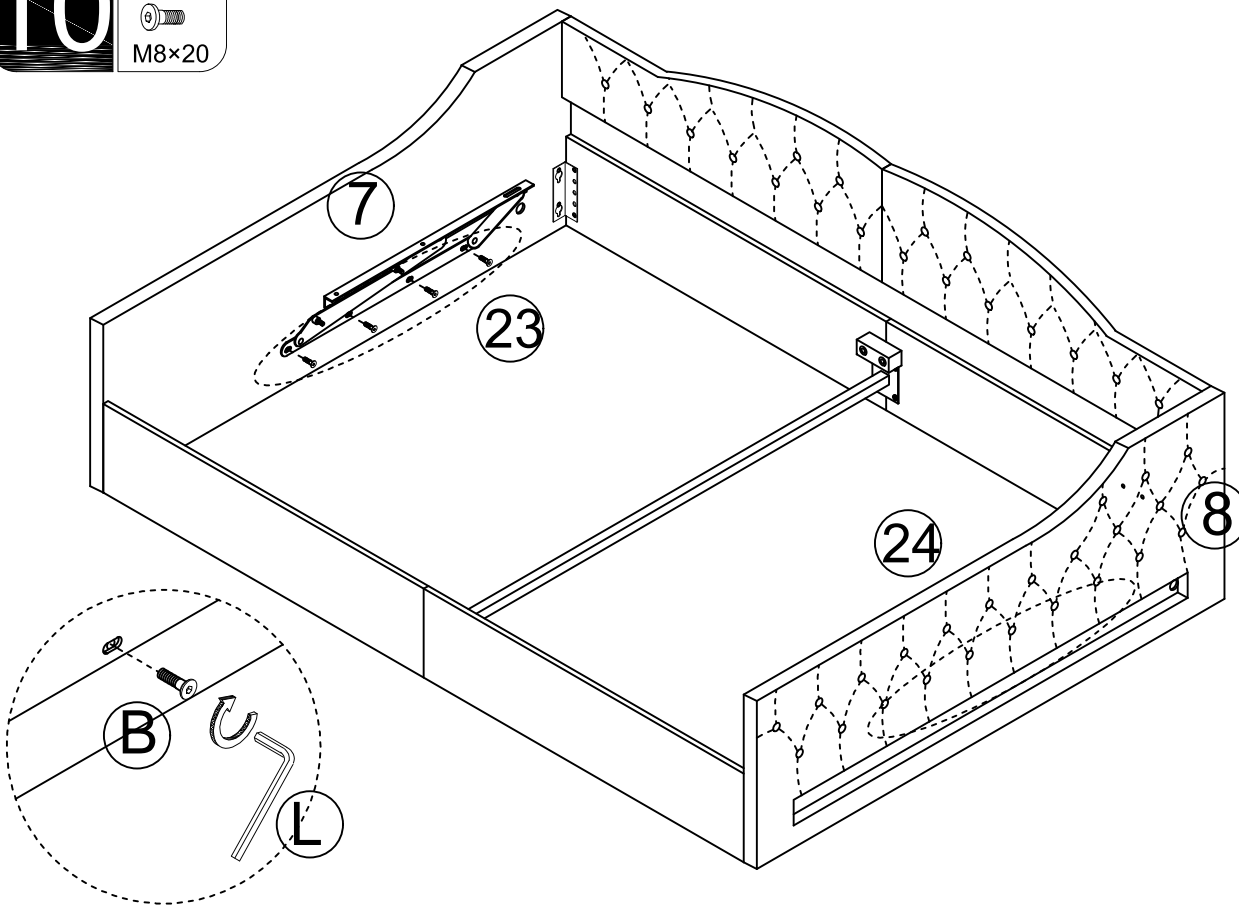
A*8
M8×16



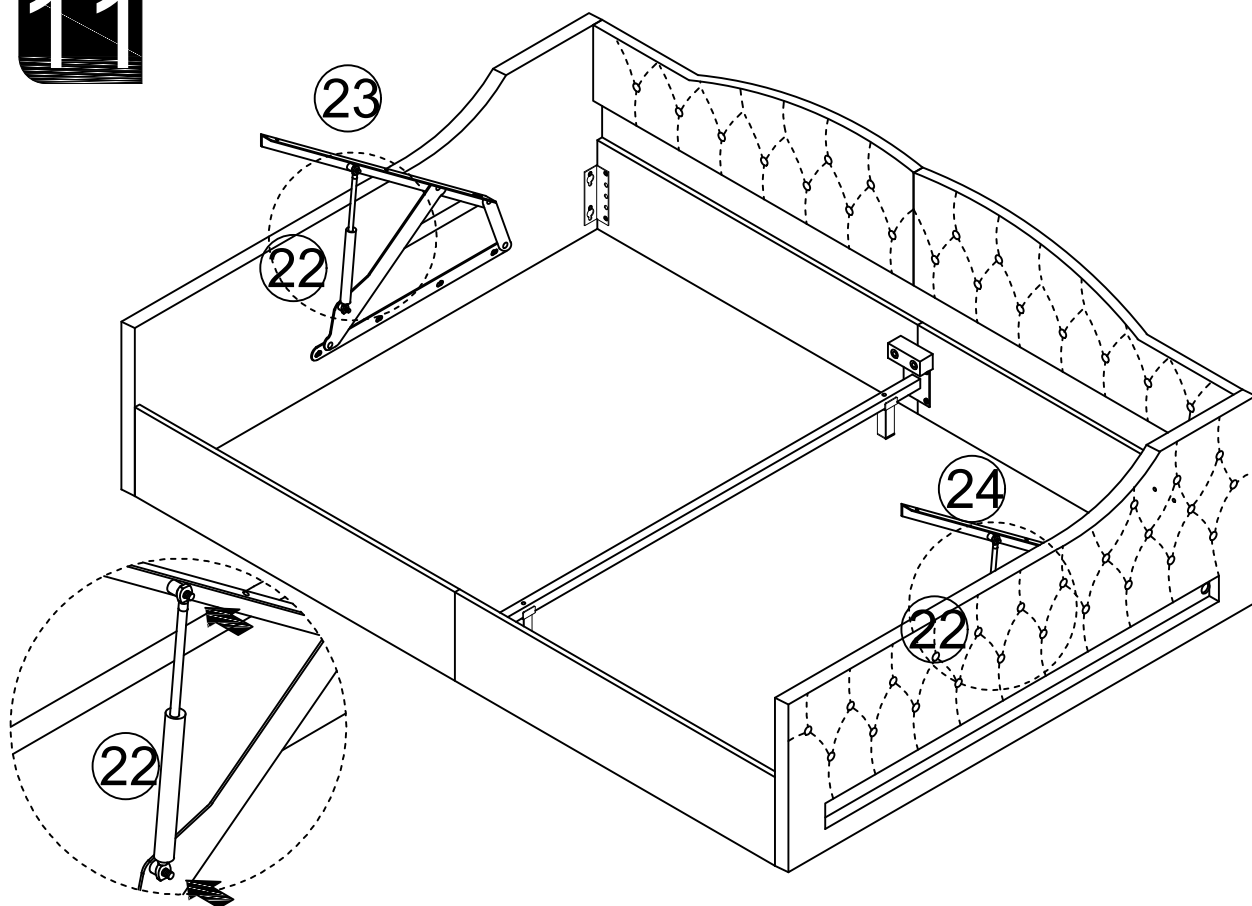
9 C*2
M8×34



10 B*8
M8×20

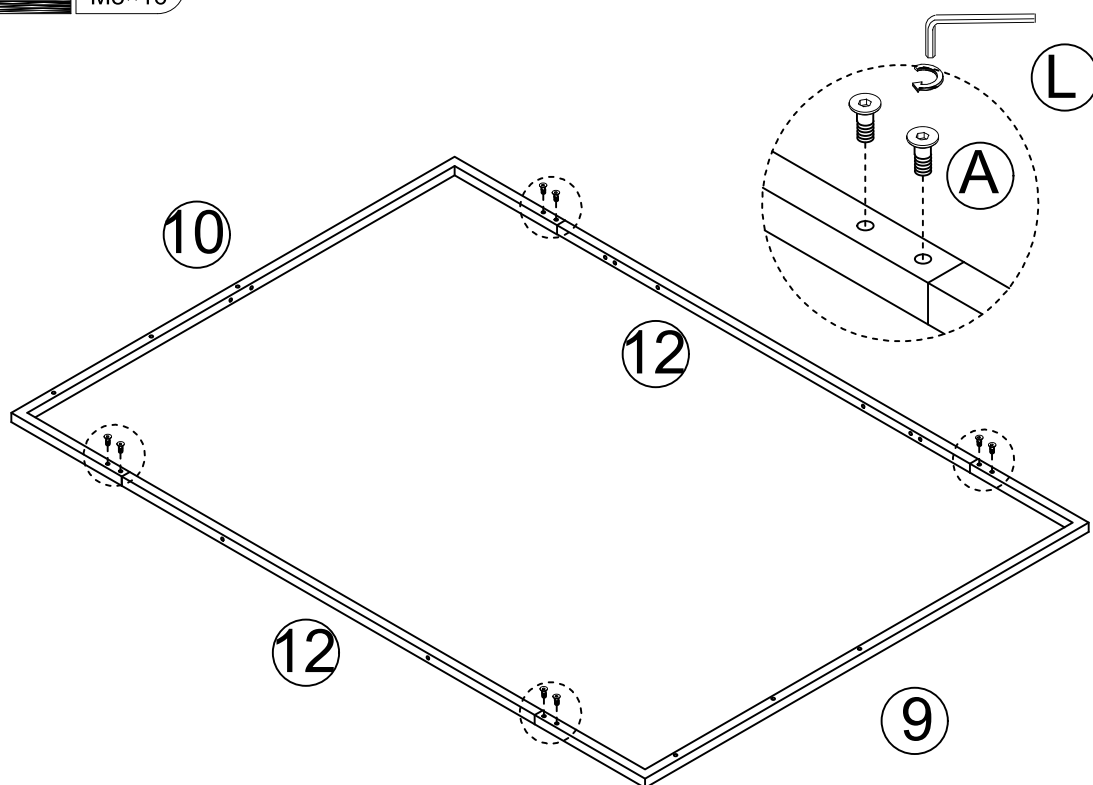


11



12

A*8
M8×16

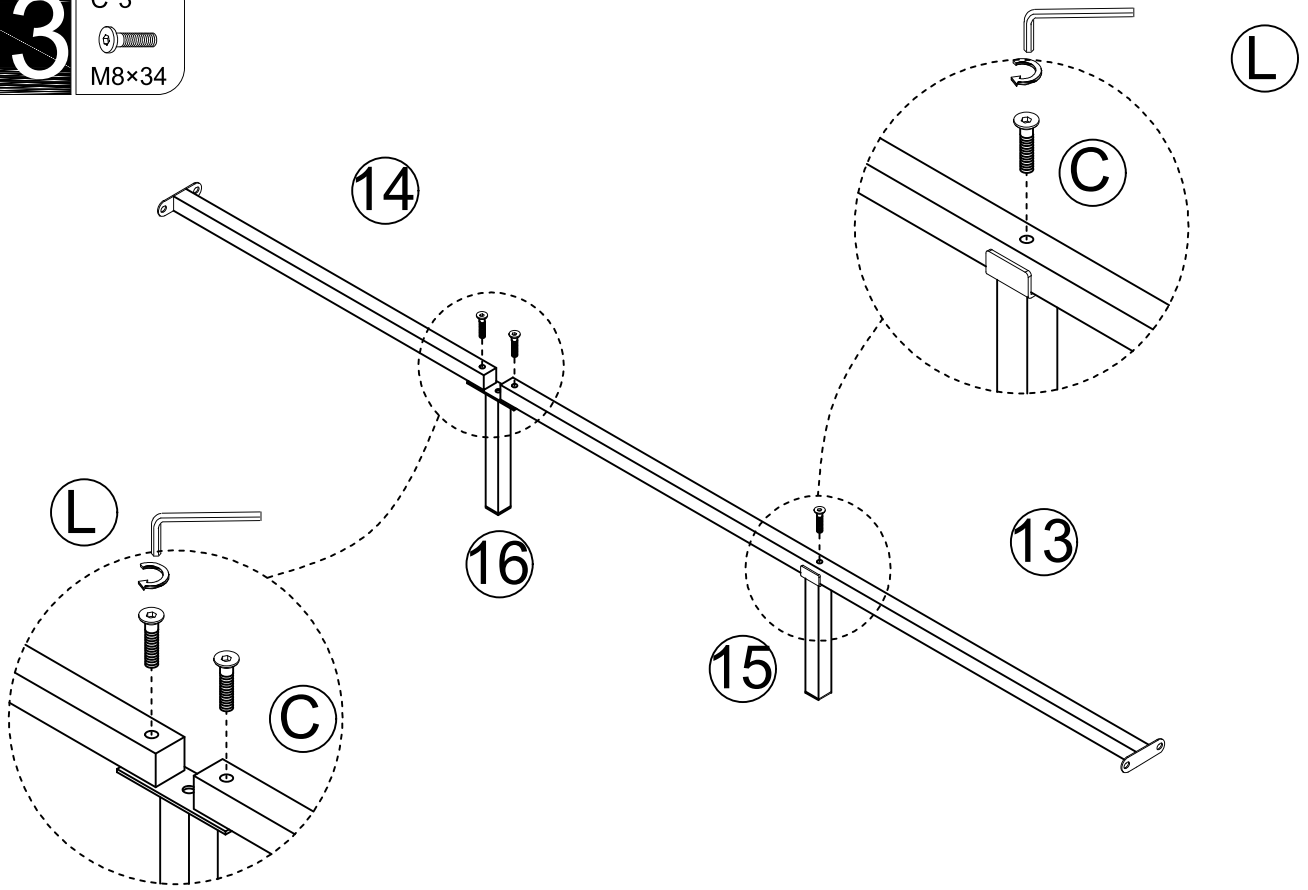


13

C*3



M8x34

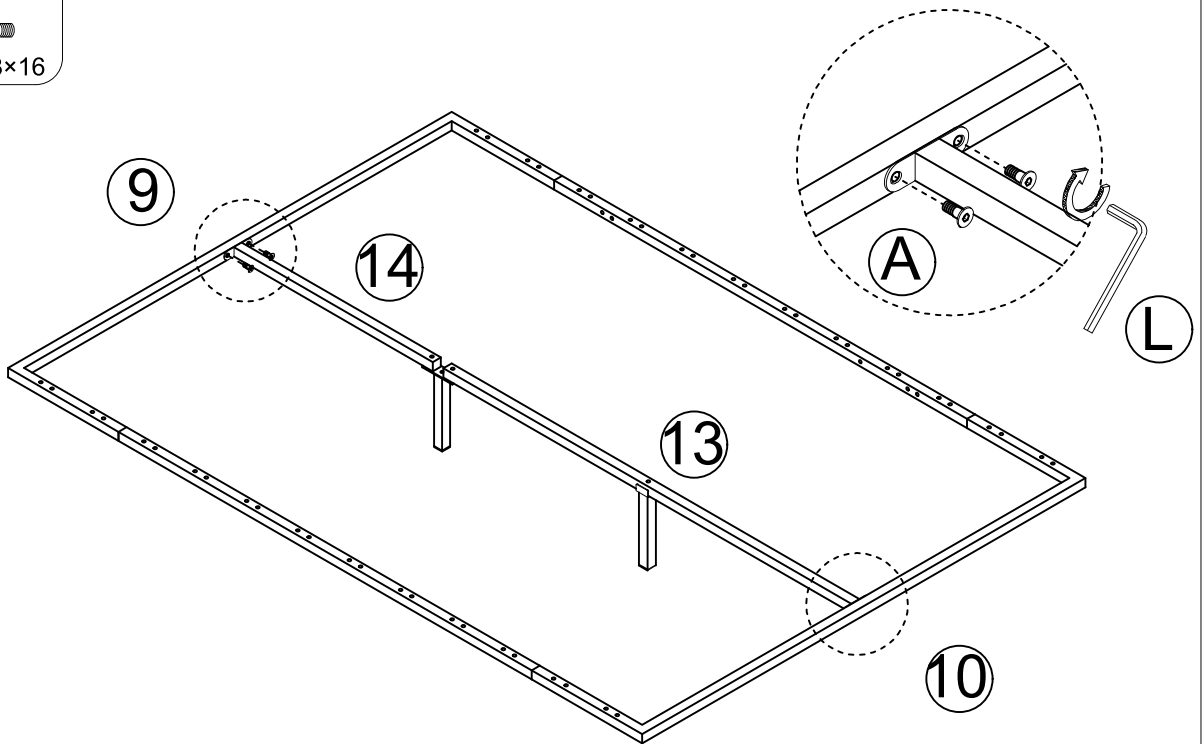


14

A*4



M8x16

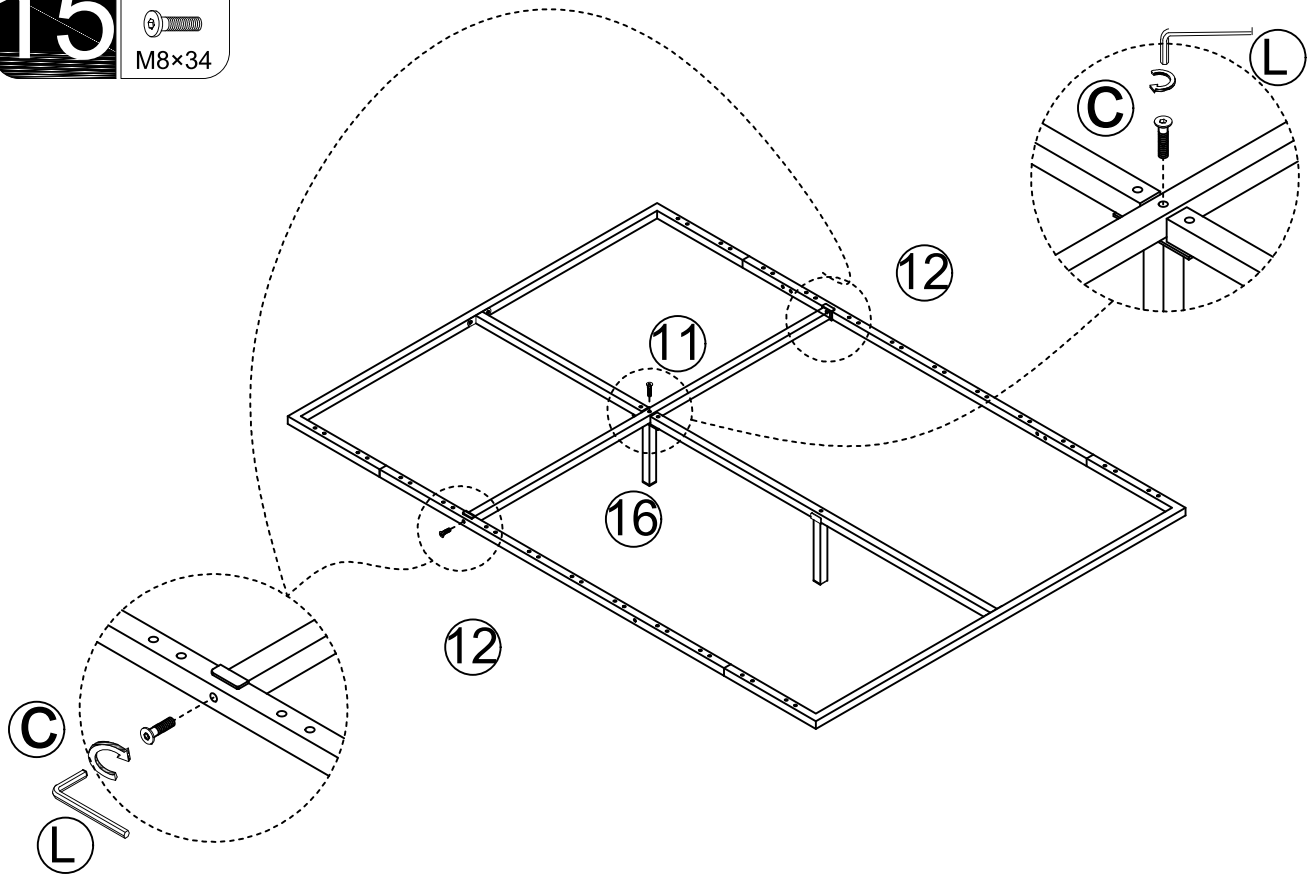


15

C*3



M8x34

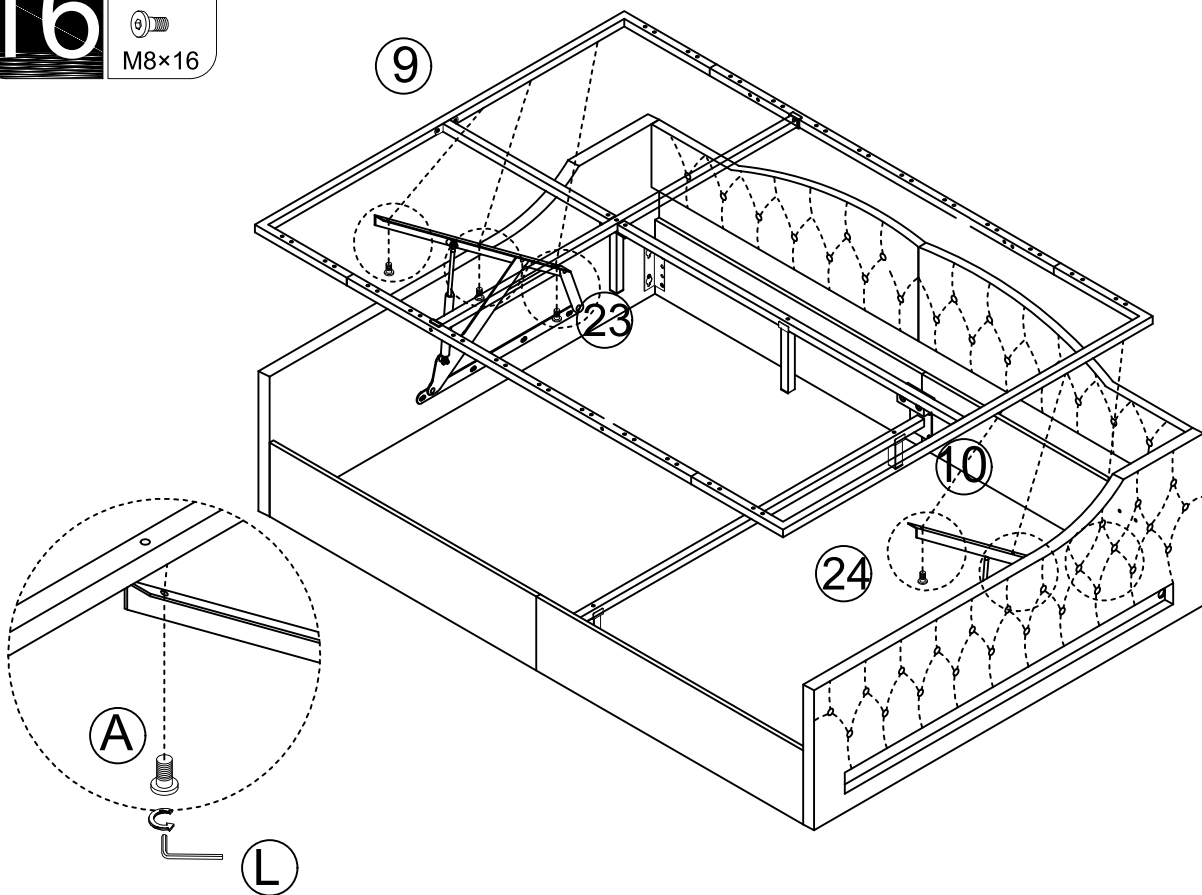


16

A*6



M8x16

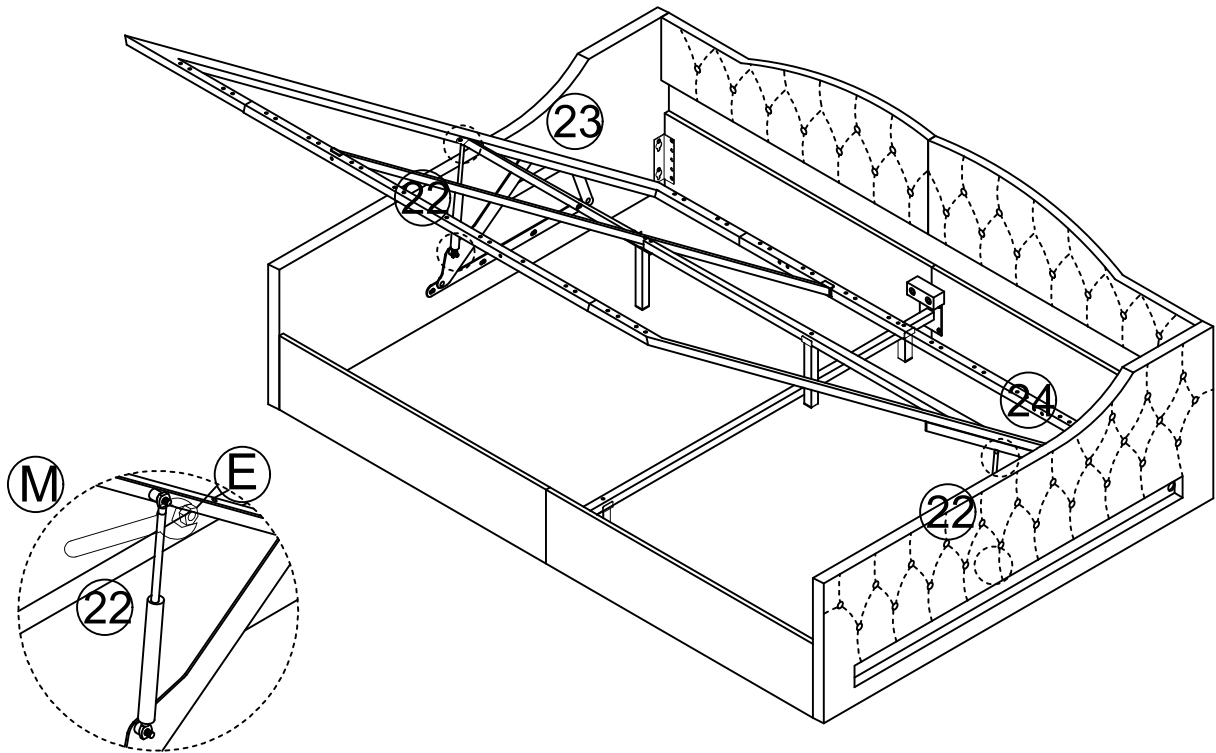


17

E*4



M8

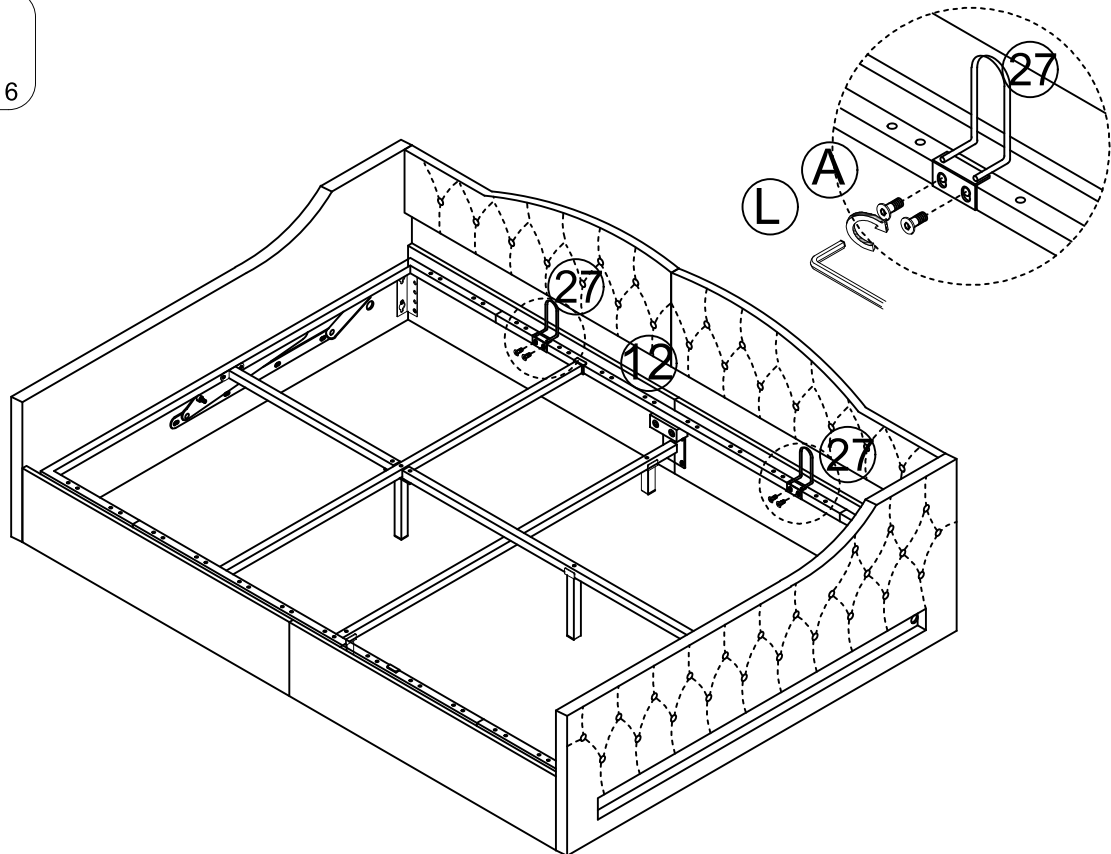


18

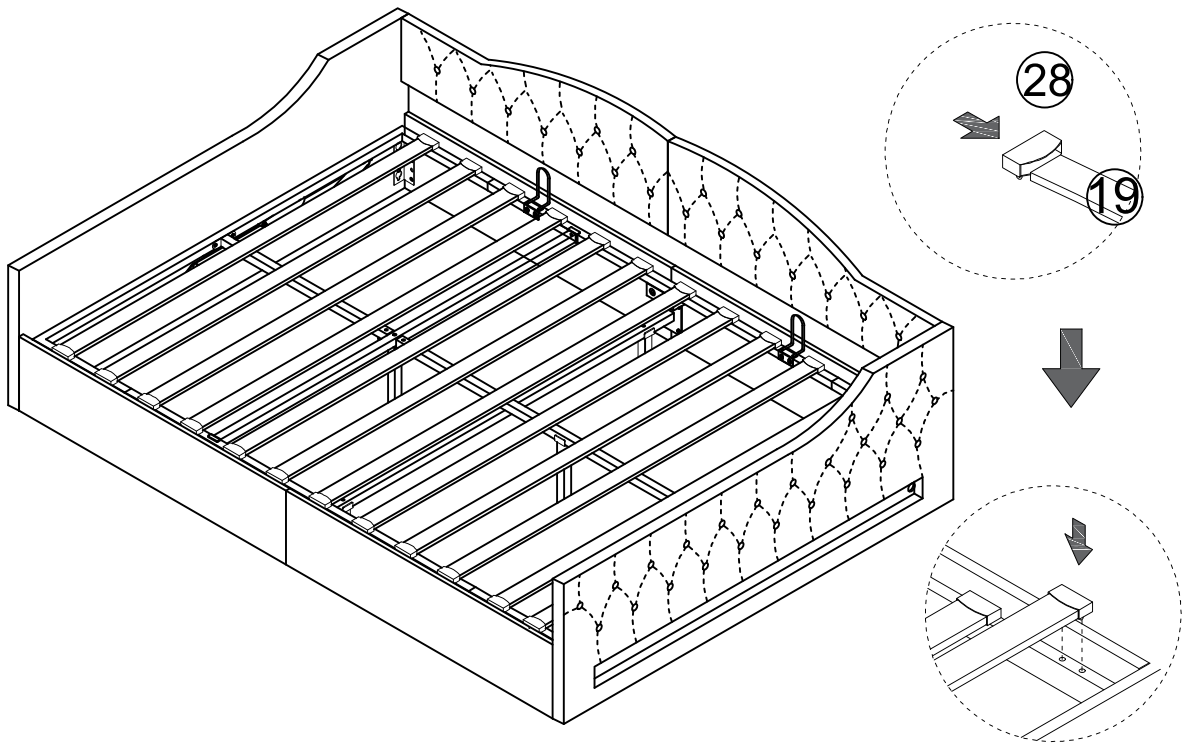
A*4



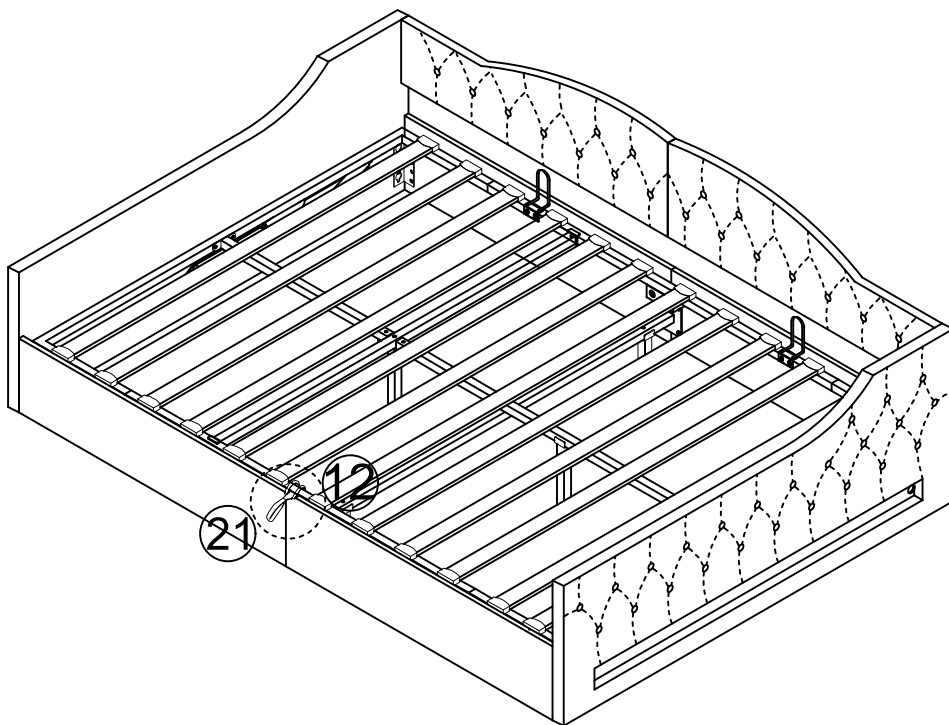
M8x16



19



20



GB - NOTE: The battery in the remote control requires you to purchase and install it yourself.
Model: CR2025 3.V

DE - HINWEIS: Die Batterie in der Fernbedienung müssen Sie selbst kaufen und installieren.
Modell: CR2025 3.V

FR - REMARQUE: la pile de la télécommande doit être achetée et installée par vos soins.
Modèle: CR2025 3.V

IT - NOTA: la batteria del telecomando deve essere acquistata e installata autonomamente.
Modello: CR2025 3.V

ES - NOTA: La pila del mando a distancia debe comprarla e instalarla usted mismo.
Modelo CR2025 3.V

①



②



③



④



⑤



⑥



⑦



⑧





Attestation of Compliance

Attestation No. : LCSA11014215E

Approval Holder : DONGGUAN NANFAN ELECTRONIC TECHNOLOGY CO., LTD

Address : Room 202, NO.19, Wanbu Road, Changping Town Dongguan Guangdong, China

Manufacturer : DONGGUAN NANFAN ELECTRONIC TECHNOLOGY CO., LTD

Address : Room 202, NO.19, Wanbu Road, Changping Town Dongguan Guangdong, China

Brand Name : NANFAN

Product : 5050 RGB LED Strip Lights

Type/Model Name : NF2460DE

H/S Version : HW: /
SW: /

Attestation of the technical design of the radio equipment according to the following essential requirements set out in article 3 of the RED 2014/53/EU:

Article 3.1a): Health and Safety	Conform
Article 3.1b): Electromagnetic Compatibility	Conform
Article 3.2: Effective Use of the Radio Spectrum	Conform

CE-marking

Marking Example (Class 1)



This attestation is issued in accordance with the Directive 2014/53/EU of the European Parliament and of the Council of 16 April 2014 on the harmonisation of the laws of the Member States relating to the making available on the market of radio equipment.

November 21, 2024

Date of issue



Annex



Applied Standards and Test Reports

Standard	Laboratory	Test Report Number
ETSI EN 301 489-1 V2.2.3 (2019-11) ETSI EN 301 489-17 V3.3.1 (2024-09)	Shenzhen LCS Compliance Testing Laboratory Ltd.	LCSA11014215EA
ETSI EN 300 328 V2.2.2 (2019-07)	Shenzhen LCS Compliance Testing Laboratory Ltd.	LCSA11014215EB
EN 62479:2010 EN 50663:2017	Shenzhen LCS Compliance Testing Laboratory Ltd.	LCSA11014215EC
EN IEC 60598-2-1:2021 EN IEC 60598-1:2021+A11:2022 EN 62493:2015+A1:2022	Shenzhen Southern LCS Compliance Testing Laboratory Ltd.	LCSB11014067S

General Remarks:

1. This conformity assessment is limited to the essential requirements of the RED Directive. Only products fulfilling all essential requirements of all applicable new approach directives may be placed on the market and put into service.
2. Products in compliance with all provisions of the applicable directives providing for the CE marking must bear this marking.
3. The manufacturer shall take all measures necessary so that the manufacturing process and its monitoring ensure conformity of the manufactured radio equipment with the approved type described in the Attestation of Compliance and with the requirements of Directive 2014/53/EU that apply to it.
4. This device also contains frequency bands that are not operational in EU member states. Only the frequency bands used in European Union have been assessed for this attestation.
5. The manufacturer shall draw up a written EU declaration of conformity for each radio equipment type and keep it at the disposal of the national authorities for 10 years after the radio equipment has been placed on the market. The EU declaration of conformity shall identify the radio equipment type for which it has been drawn up. A copy of the EU declaration of conformity shall be made available to the relevant authorities upon request.





Attestation of Compliance

Reference No. : LCSB11014066E

Applicant : DONGGUAN NANFAN ELECTRONIC TECHNOLOGY CO., LTD

Address : Room 202,NO.19, Wanbu Road, Changping Town Dongguan
Guangdong, China

Trade Mark : NANFAN

Product : 5050 RGB LED Strip Lights

Model(s) : NF2460DE

Tested according to : EN IEC 55015:2019+A11:2020
EN IEC 61547:2023

The submitted products have been tested by us with the listed standards.

This Attestation of Compliance is issued according to the council Directive 2014/30/EU, Referred to as the Electromagnetic Compatibility. It confirms that the listed product complies with all essential requirements of the EMC directive and applies only to the sample and its technical documentation submitted to Shenzhen Southern LCS Compliance Testing Laboratory Ltd. for testing.

After preparation of the necessary technical documentation as well as the EC conformity declaration the required CE marking can be affixed on the product. Other relevant Directives have to be observed.



Date of issue: November 15, 2024





Attestation of Compliance

Reference No. : LCSB11014067S

Applicant : DONGGUAN NANFAN ELECTRONIC TECHNOLOGY CO., LTD

Address : Room 202, NO.19, Wanbu Road, Changping Town Dongguan
Guangdong, China

Trade Mark : NANFAN

Product : 5050 RGB LED Strip Lights

Model : NF2460DE

Parameters : 5Vdc, 2A, 10W

Tested according to : EN IEC 60598-2-1:2021;
EN IEC 60598-1:2021+A11:2022;
EN 62493:2015+A1:2022;

The submitted products have been tested by us with the listed standards.

This Attestation of Compliance is issued according to the council Directive 2014/35/EU, Referred to as the Low Voltage Directive. It confirms that the listed product complies with all essential requirements of the LVD Directive and applies only to the sample and its technical documentation submitted to Shenzhen Southern LCS Compliance Testing Laboratory Ltd. for testing.

After preparation of the necessary technical documentation as well as the EC conformity declaration the required CE marking can be affixed on the product. Other relevant Directives have to be observed.



Date of issue: November 20, 2024



ANNEX I



Reference No. : LCSB11014067S

Model(s) :

Model No.	Rating
NF2460DE	5Vdc, 2A, 10W



CE

