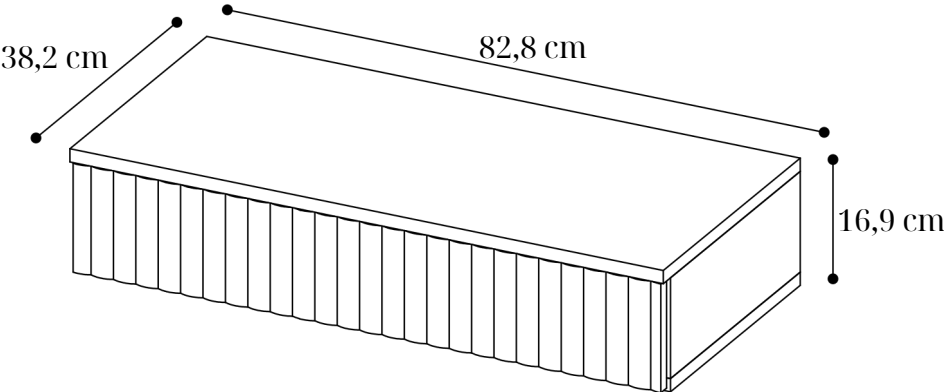
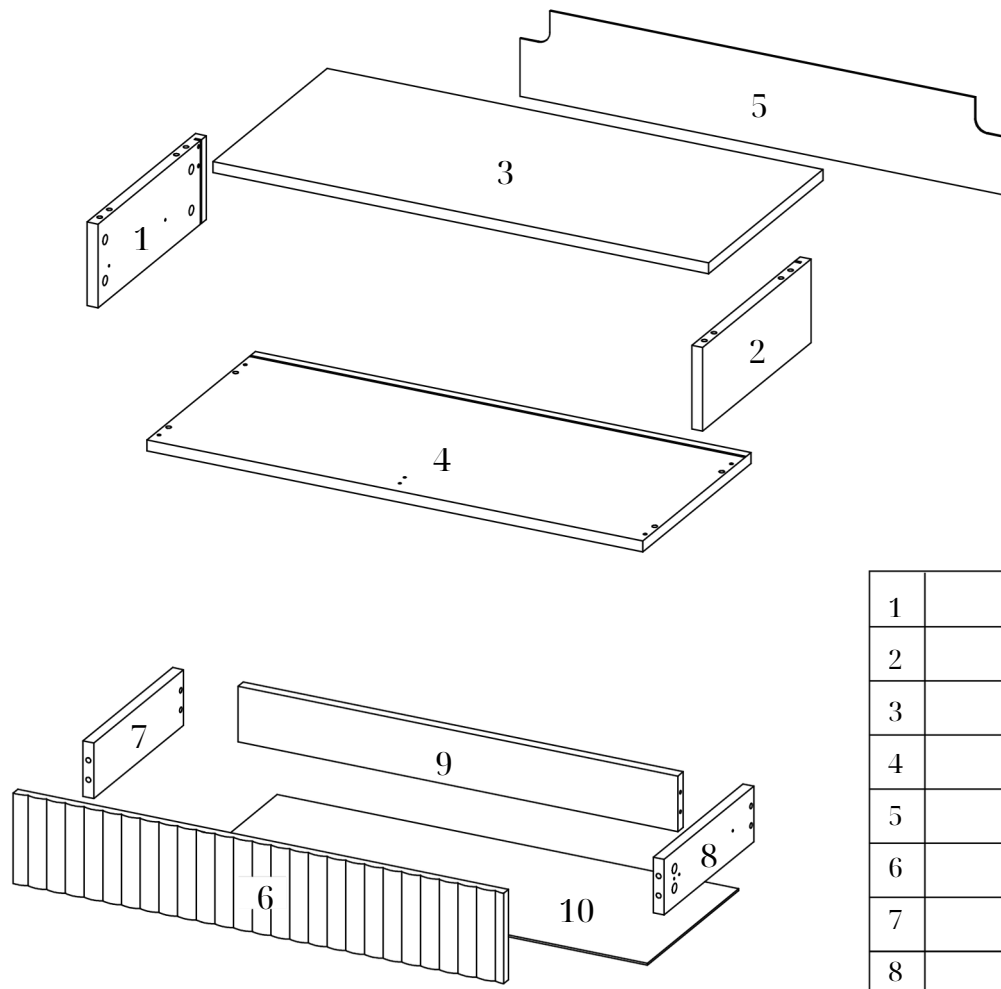


Montageanleitung

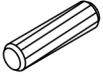






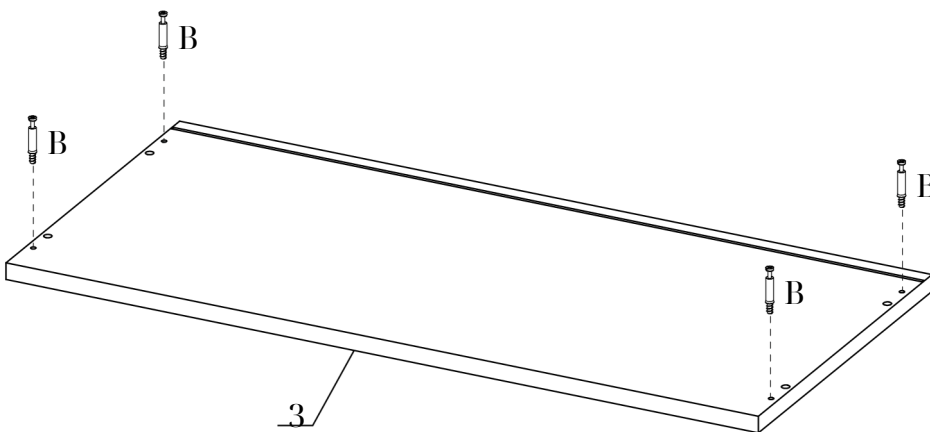
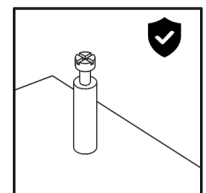
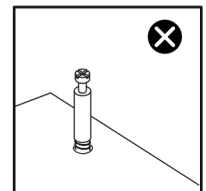
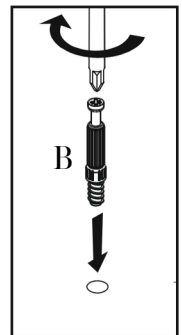
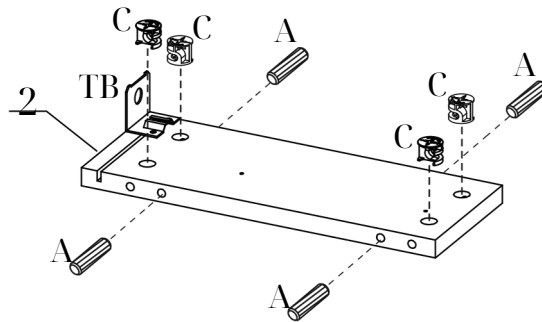
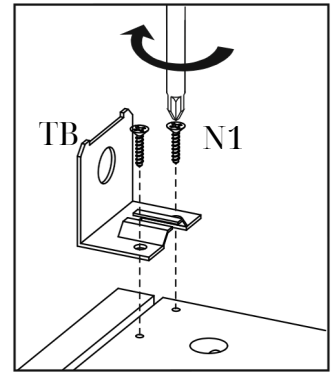
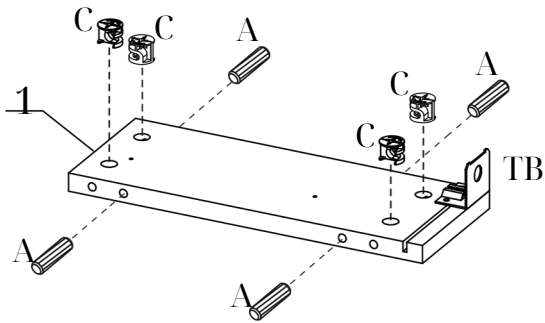
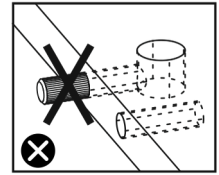
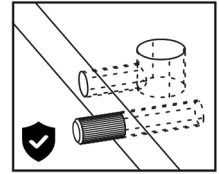
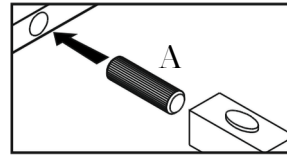
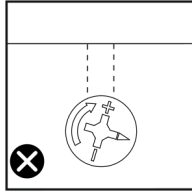
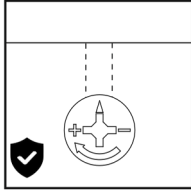
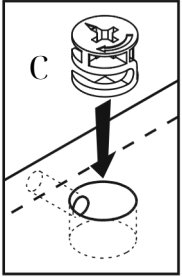
PTO x1 	A x8 8x35mm	B x12 29,5mm	C x12 15x12mm	D x4 	E x1 	F x12
N1 x16 3,5x16mm	R x2 300mm	TB x2 	X x6 	Y x30 		



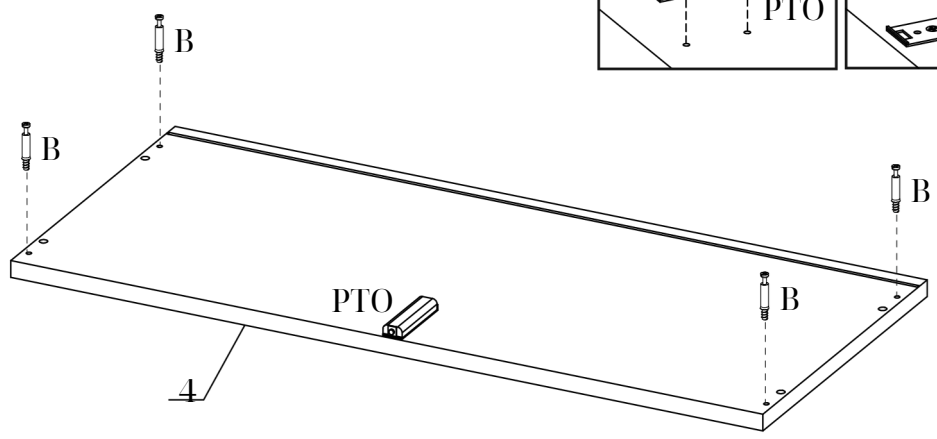
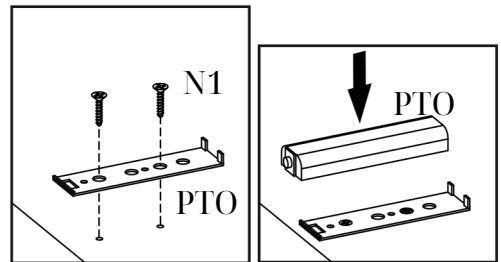
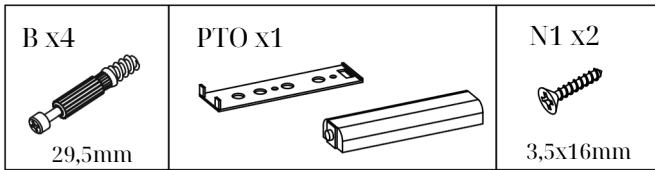
1	137x362x16mm
2	137x362x16mm
3	828x382x16mm
4	828x362x16mm
5	805x151x3mm
6	148x820x16mm
7	300x91x16mm
8	300x91x16mm
9	735x91x16mm
10	765x305x3mm

1

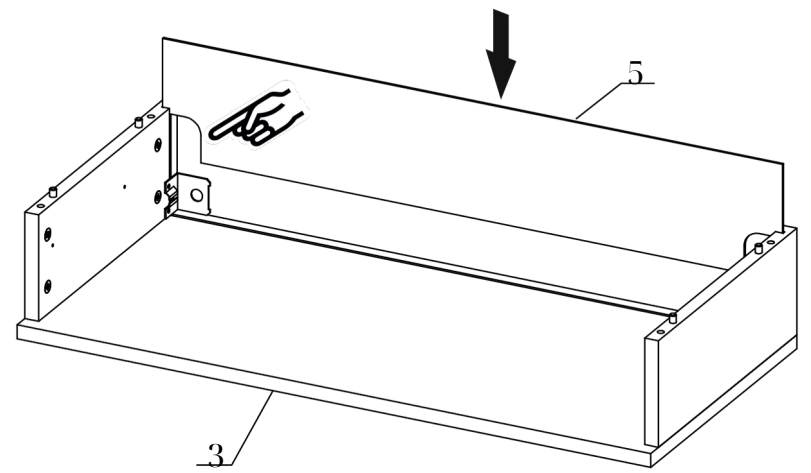
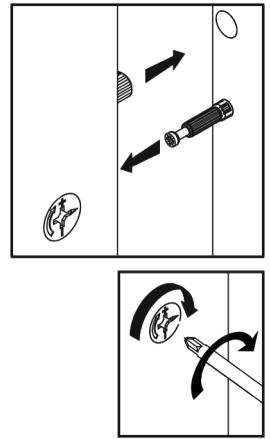
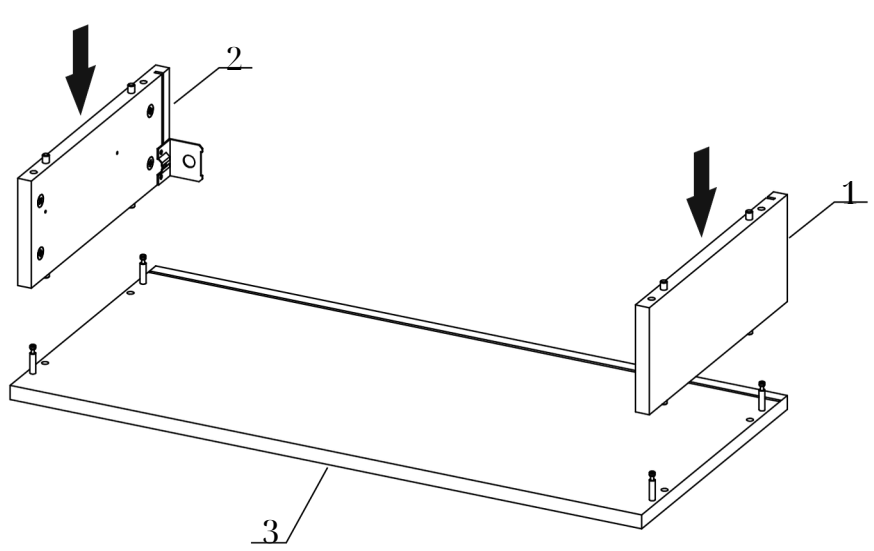
A x8 8x35mm 	C x8 15x12mm 	N1 x4 3,5x16mm 	TB x2 	B x4 29,5mm 
---	--	--	--	--



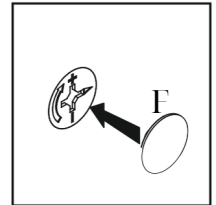
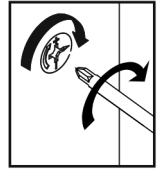
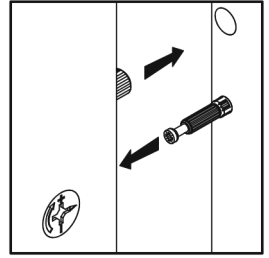
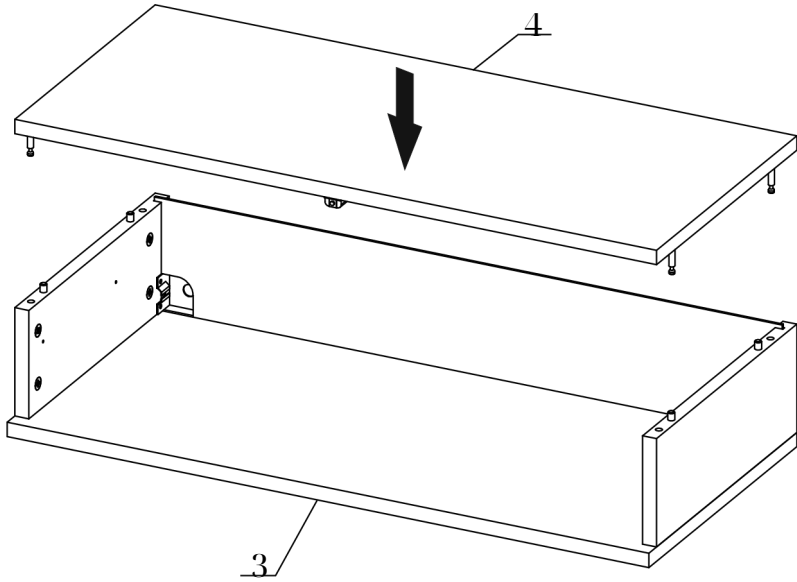
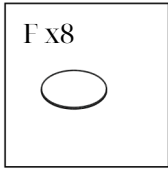
2



3

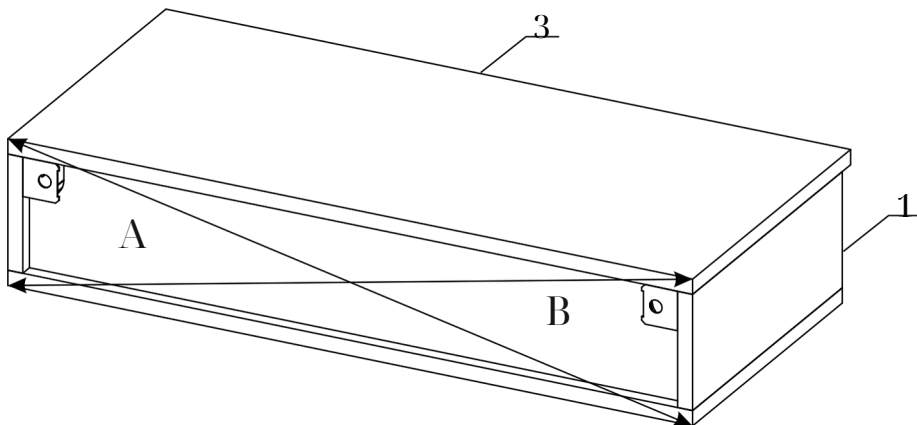
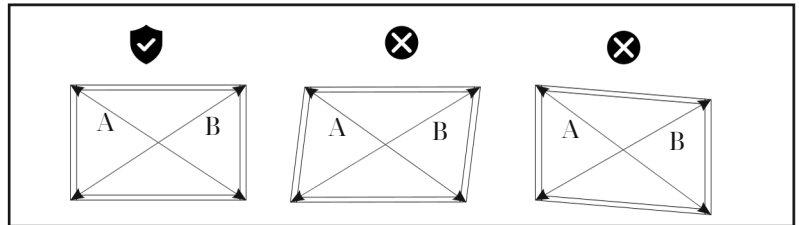
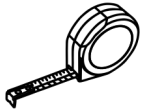


4



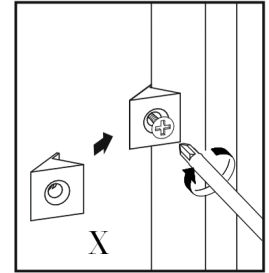
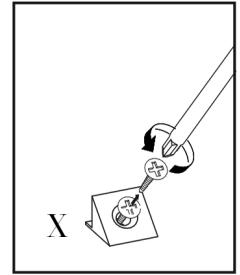
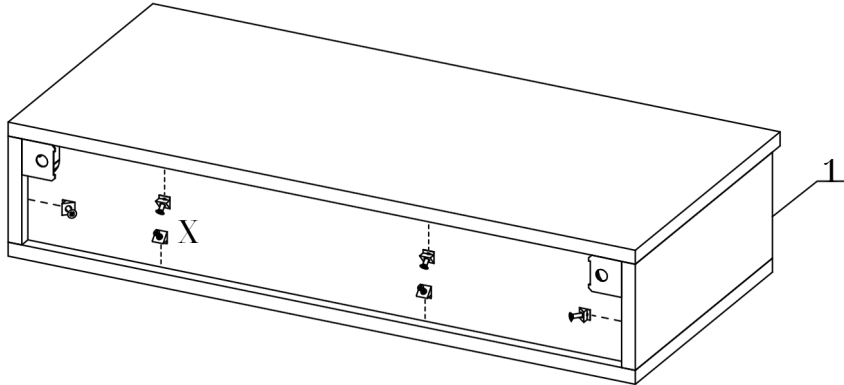
5

$A=B$



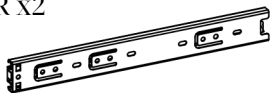
6

X x6



7

R x2

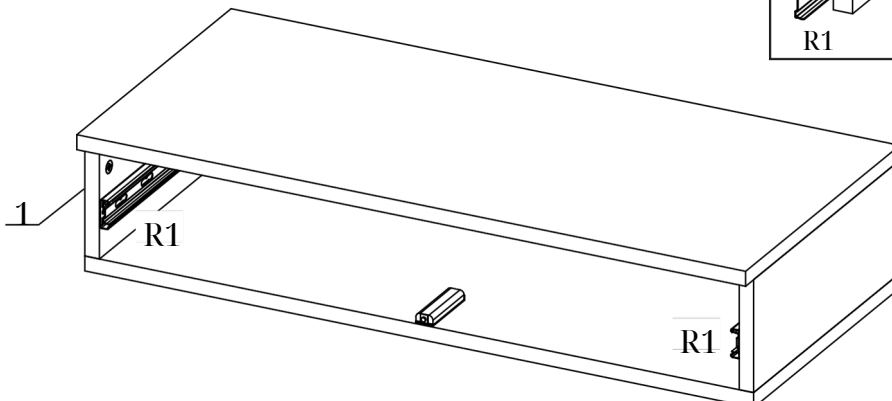
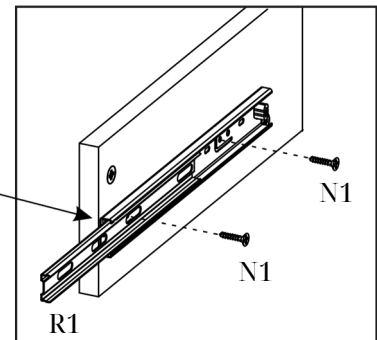
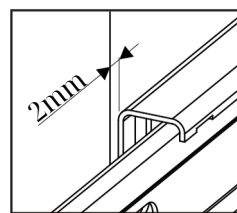
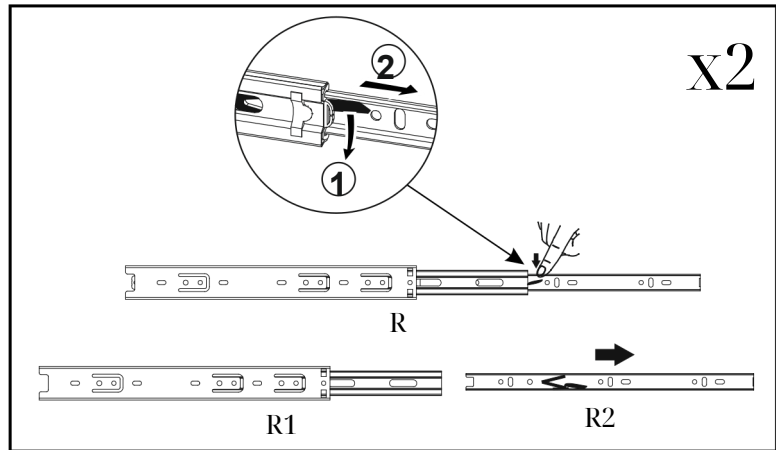


300mm

N1 x4

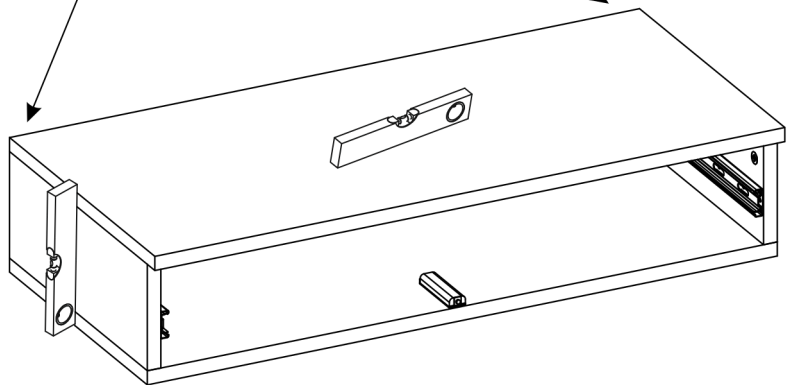
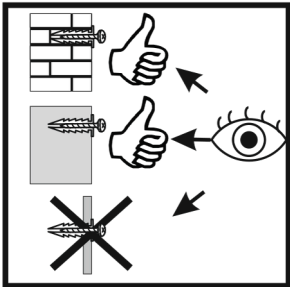
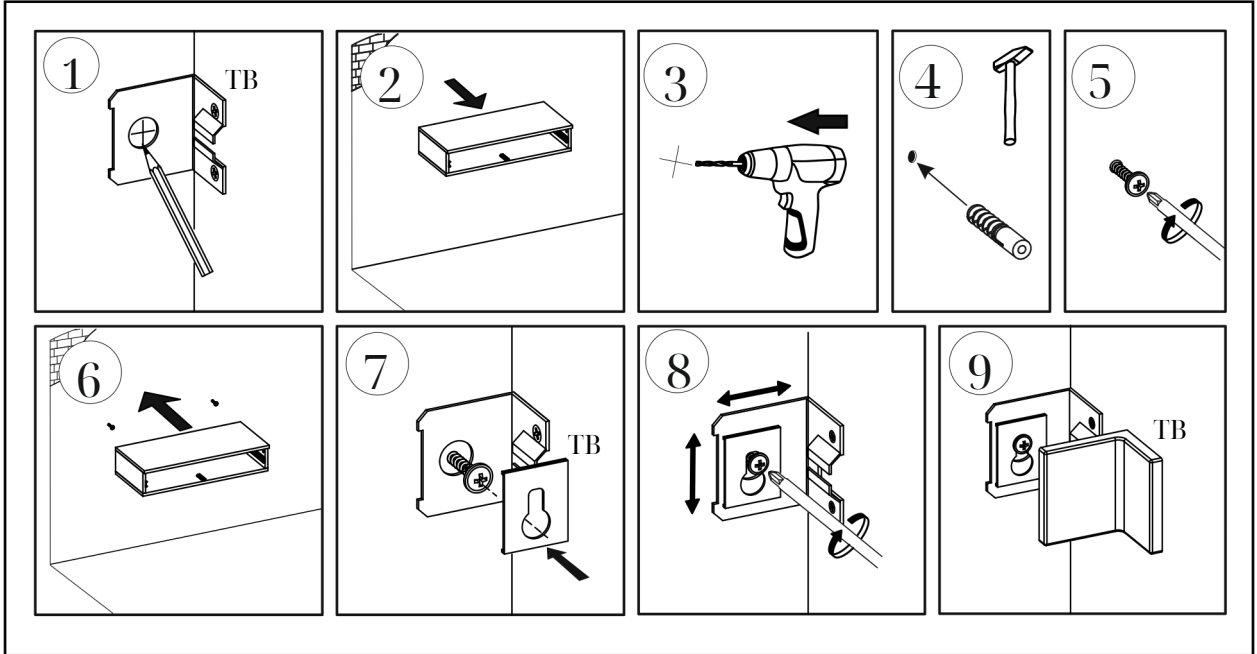
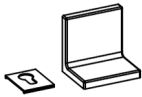


3,5x16mm






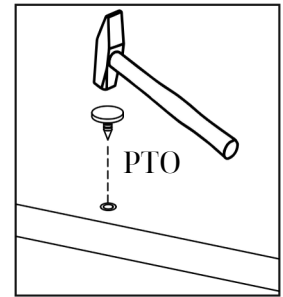
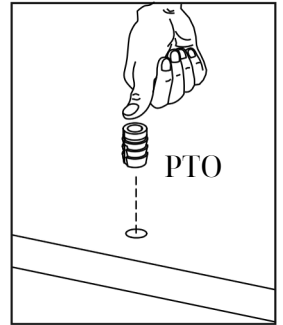
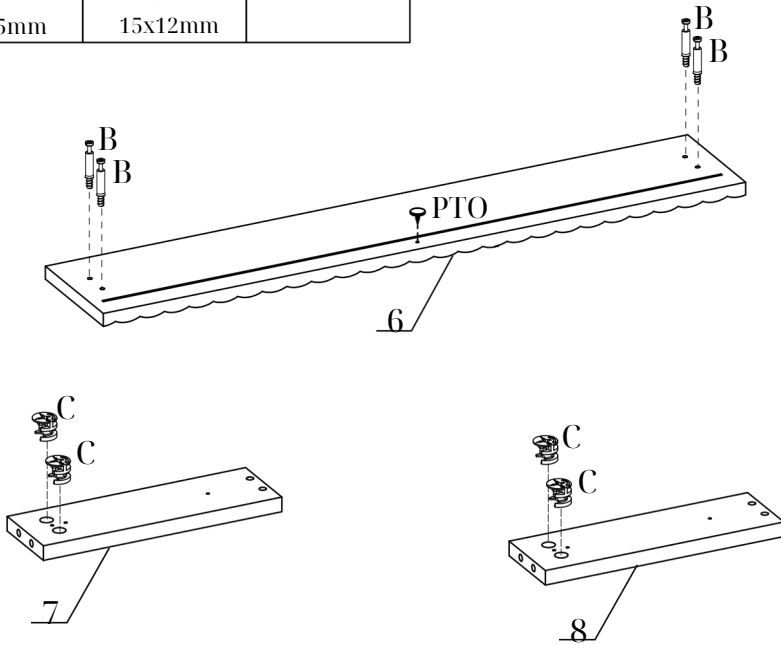
8

TB x2


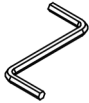



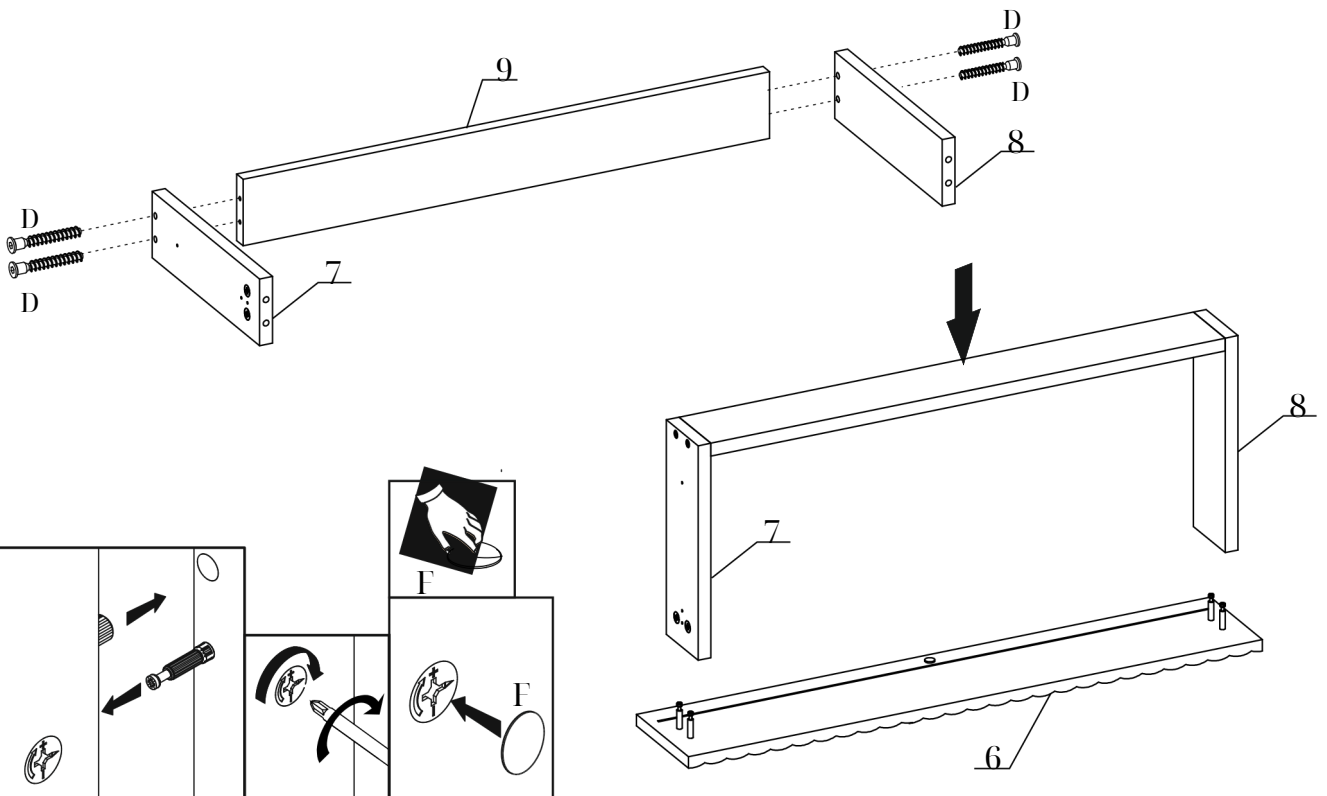
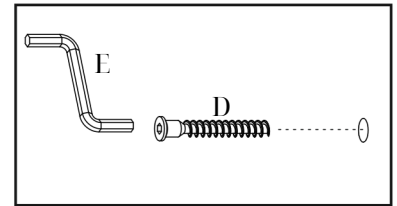
9

B x4  29,5mm	C x4  15x12mm	PTO x1 
---	--	---






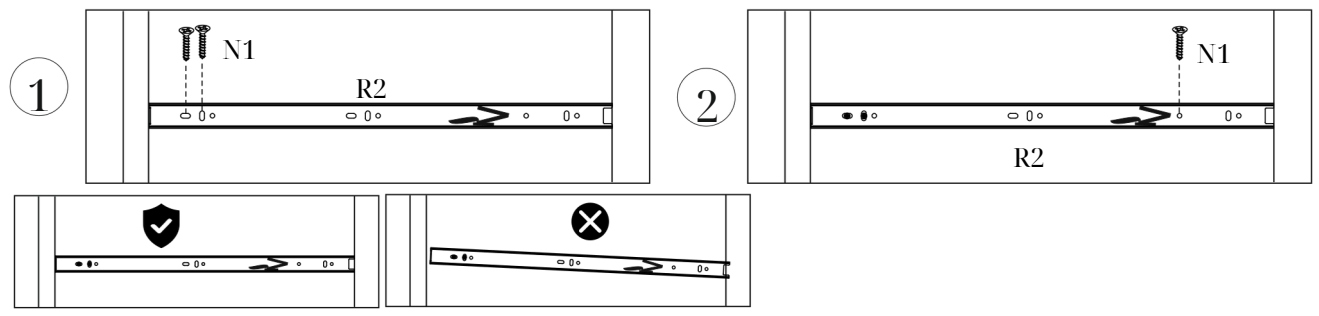
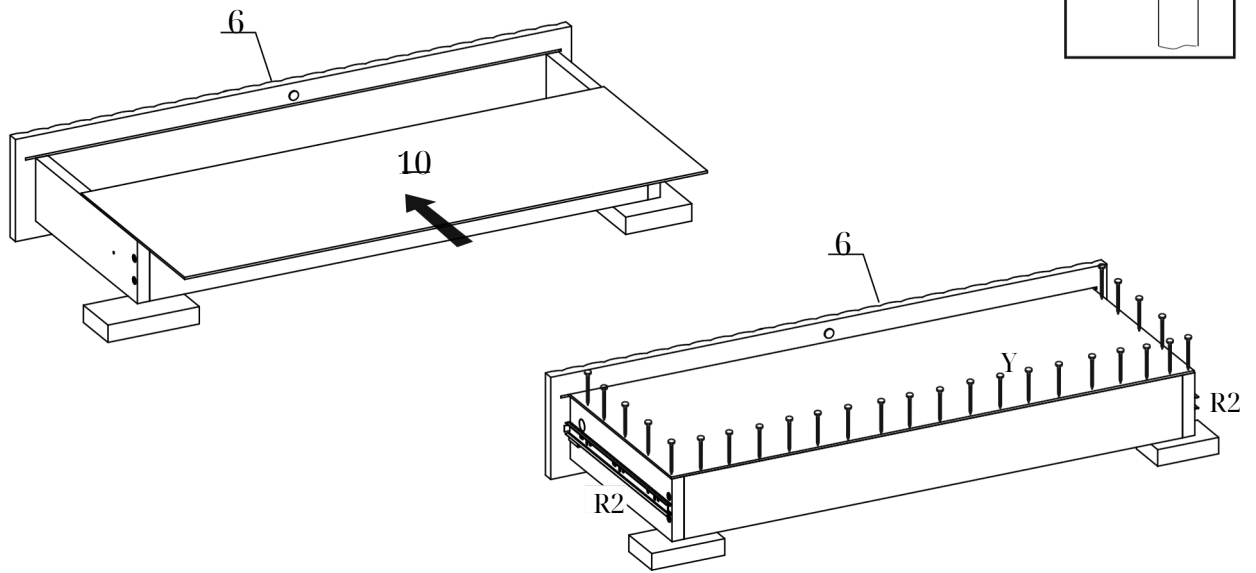
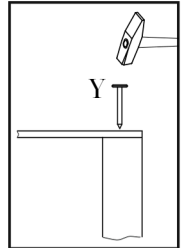
10

D x4 	E x1 	F x4 
---	---	---



11

R2 x2  300mm	N1 x6  3,5x16mm	Y x30 
---	--	--



12

