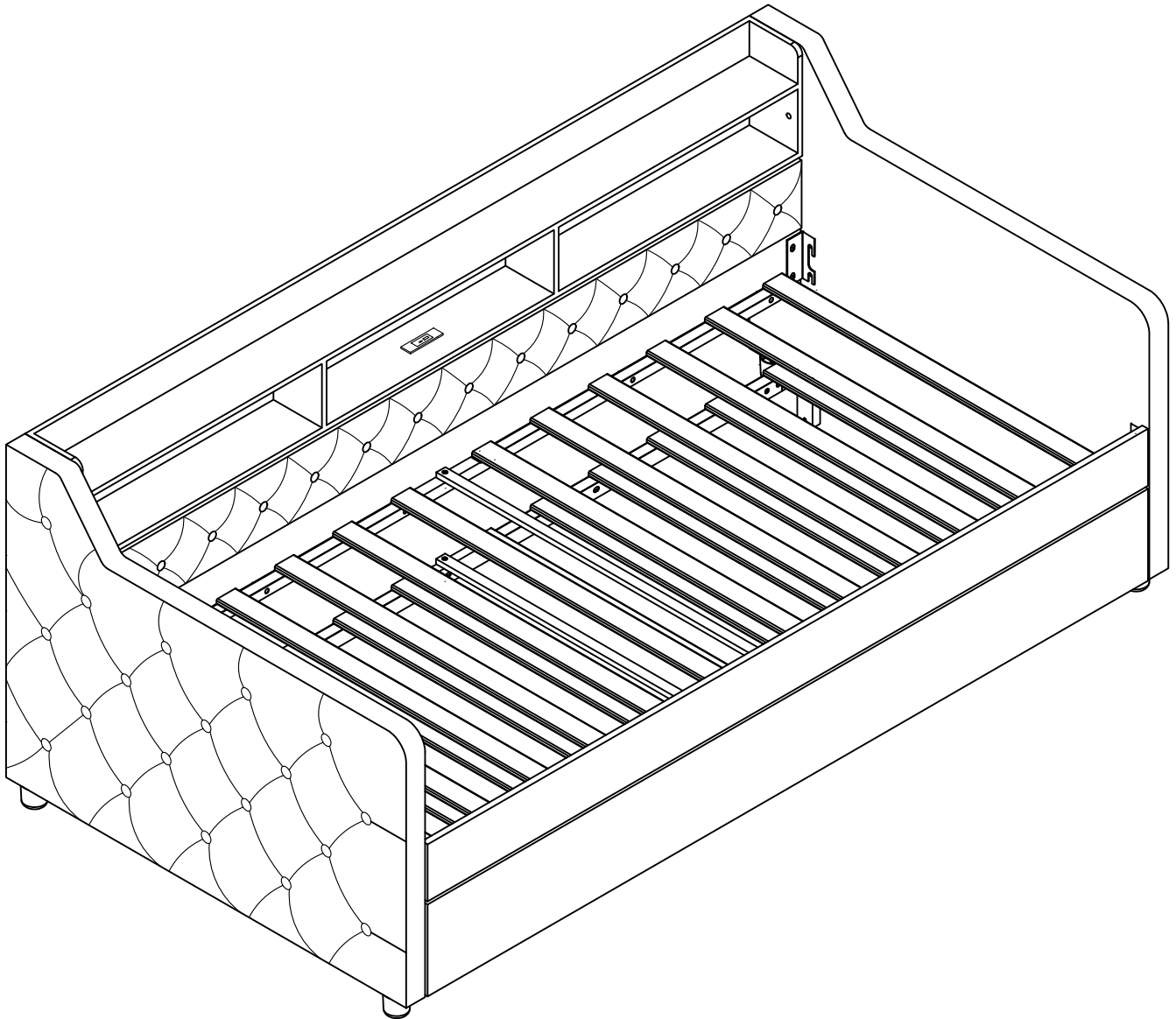


# Assembly Instruction

## HFBD-837S-1 HFBD-837S-2



- GB** This set comes in 2 boxes. If you do not receive a full set of 3 boxes, please contact our customer service.
- DE** Dieses Set wird in 2 Schachteln geliefert. Wenn Sie nicht ein komplettes Set von 3 Boxen erhalten, kontaktieren Sie bitte unseren Kundenservice.
- FR** Ce set est livré en 2 boîtes. Si vous ne recevez pas un jeu complet de 3 boîtes, veuillez contacter notre service clientèle.

**English****IMPORTANT ! KEEP FOR FUTURE REFERENCE : READ CAREFULLY**

- To be assembled by an adult. Assembly must be checked by an adult before use
- WARNING ! Keep all screws, small parts and plastic bags out of the reach of children
- Properly identify all parts before assembling
- Never use your item if any of its parts are broken or missing
- Should any problems arise, please contact our After Sales Service
- Manufacturer's instructions shall be followed at all times
- Care: Clean with a soft, dry cloth. In case of larger stains, carefully rub with a slightly damp, non-abrasive sponge
- Avoid the risk of fire by not placing furniture near sources of ignition or hot items
- Do not jump on the bed

**Deutsch****WICHTIG ! ZUM SPÄTEREN NACHSCHLAGEN AUFBEWAHREN: SORGFÄLTIG LESEN**

- Muss von einem Erwachsenen zusammengebaut werden. Der Zusammenbau muss vor dem Gebrauch von einem Erwachsenen überprüft werden
- WARNUNG! Bewahren Sie alle Schrauben, Kleinteile und Plastikbeutel außerhalb der Reichweite von Kindern auf
- Kennzeichnen Sie vor dem Zusammenbau alle Teile richtig
- Benutzen Sie Ihren Artikel niemals, wenn Teile gebrochen sind oder fehlen
- Sollten Probleme auftreten, wenden Sie sich bitte an unseren Kundendienst
- Die Anweisungen des Herstellers sind stets zu befolgen
- Pflege: Mit einem weichen, trockenen Tuch reinigen. Bei größeren Flecken vorsichtig mit einem leicht feuchten, nicht scheuernden Schwamm abreiben. nicht scheuernden Schwamm
- Vermeiden Sie die Gefahr eines Brandes, indem Sie die Möbel nicht in der Nähe von Zündquellen oder heißen Gegenständen aufstellen
- Nicht auf das Bett springen

**Français****IMPORTANT ! CONSERVER POUR RÉFÉRENCE ULTÉRIEURE : LIRE ATTENTIVEMENT**

- Le montage doit être effectué par un adulte. Le montage doit être vérifié par un adulte avant Utilisation
- ATTENTION ! Tenir les vis, les petites pièces et les sachets en plastique hors de portée des enfants
- Identifiez correctement toutes les pièces avant de les assembler
- N'utilisez jamais votre article si l'une de ses pièces est cassée ou manquante
- En cas de problème, veuillez contacter notre service après-vente
- Les instructions du fabricant doivent être respectées à tout moment
- Entretien : nettoyer avec un chiffon doux et sec. En cas de taches plus importantes, frotter soigneusement avec une éponge non abrasive légèrement humide. légèrement humide et non Abrasive
- Évitez les risques d'incendie en ne plaçant pas les meubles à proximité de sources d'inflammation ou d'objets chauds
- Ne pas sauter sur le lit

**Italiano**

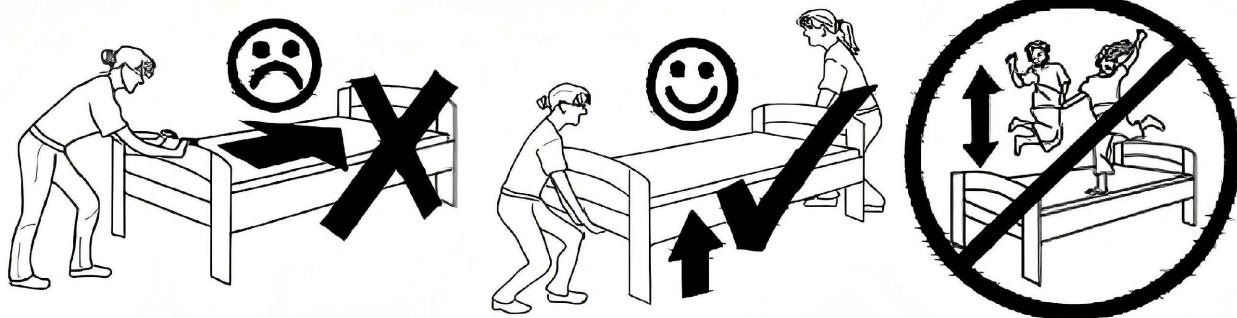
**IMPORTANTE! CONSERVARE PER RIFERIMENTO FUTURO: LEGGERE ATTENTAMENTE**

- Deve essere assemblato da un adulto. L'assemblaggio deve essere controllato da un adulto prima dell'uso
- **ATTENZIONE!** Tenere tutte le viti, le piccole parti e i sacchetti di plastica fuori dalla portata dei bambini
- Identificare correttamente tutte le parti prima dell'assemblaggio
- Non utilizzare mai l'articolo se alcune parti sono rotte o mancanti
- In caso di problemi, si prega di contattare il nostro Servizio Post Vendita
- Le istruzioni del produttore devono essere sempre seguite
- Cura: Pulire con un panno morbido e asciutto. In caso di macchie più estese, strofinare accuratamente con una spugna leggermente umida e nonspugna leggermente umida e non abrasiva
- Evitare il rischio di incendio, non collocando i mobili vicino a fonti di accensione o a oggetti caldi
- Non saltare sul letto

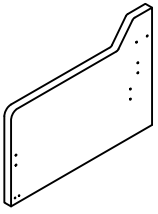
**Español**

**¡IMPORTANTE ! CONSERVELO PARA FUTURAS CONSULTAS: LEA ATENTAMENTE**

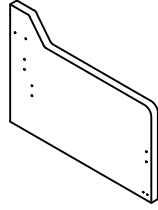
- Debe ser montado por un adulto. El montaje debe ser comprobado por un adulto antes del uso
- **ADVERTENCIA** Mantenga todos los tornillos, piezas pequeñas y bolsas de plástico fuera del alcance de los niños.
- Identifique correctamente todas las piezas antes de montarlas
- Nunca utilice su artículo si alguna de sus piezas está rota o falta
- Si surge algún problema, póngase en contacto con nuestro Servicio Postventa
- Las instrucciones del fabricante deben seguirse en todo momento
- Cuidado: Limpiar con un paño suave y seco. En caso de manchas más grandes, frote cuidadosamente con una esponja no abrasiva ligeramente humedecida.
- Evite el riesgo de incendio no colocando los muebles cerca de fuentes de ignición u objetos calientes.
- No saltar sobre la cama.



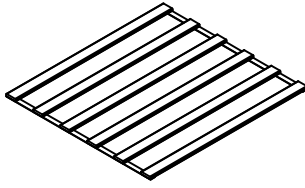
# SKU: HFBD-835S-2



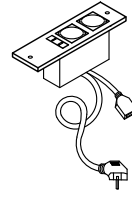
**1**  
X1



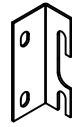
**2**  
X1



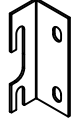
**3**  
X4



**7**  
X1



**10**  
X3



**11**  
X3



**17**  
X4



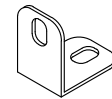
**18**  
X4



**19**  
X2



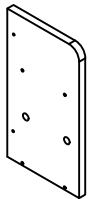
**20**  
X2



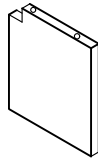
**22**  
X4



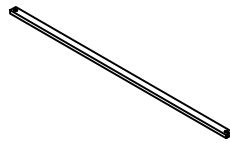
**23**  
X4



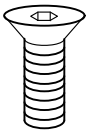
**14**  
X2



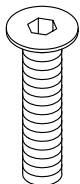
**25**  
X2



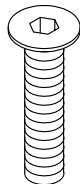
**13**  
X2



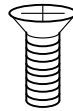
**A**  
M6\*20  
X12+2



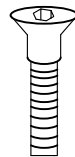
**B**  
M8\*25  
X16+3



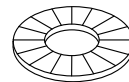
**C**  
M8\*35  
X19+2



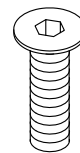
**D**  
M4\*10  
X4+1



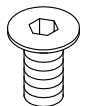
**E**  
M5\*35  
X30+4



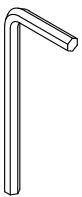
**F**  
X4+1



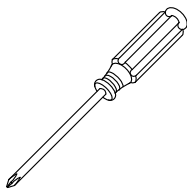
**G**  
M8\*15  
X18+2



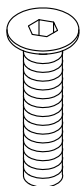
**R**  
M6\*10  
X2+1



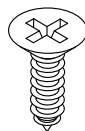
**H**  
M5  
X1



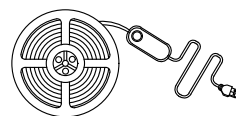
**I**  
X1



**K**  
M8\*55  
X8+1



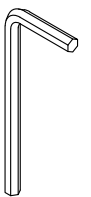
**L**  
M3\*12  
X2+1



Light bar X1

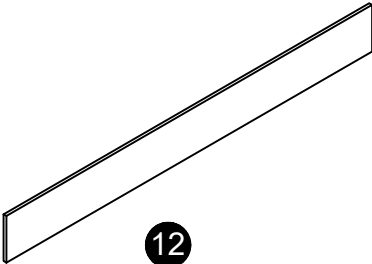


Remote control X1

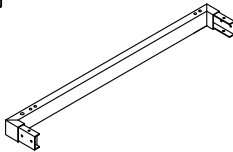


**N**  
M3  
X1

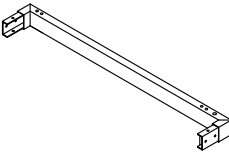
# SKU: HFBD-835S-1



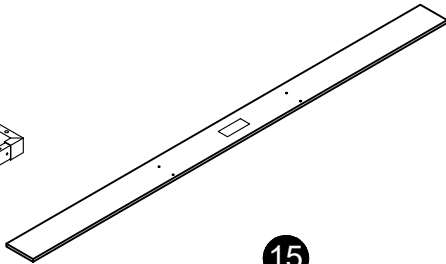
12  
X1



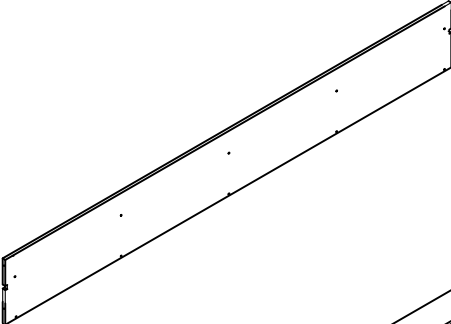
4  
X1



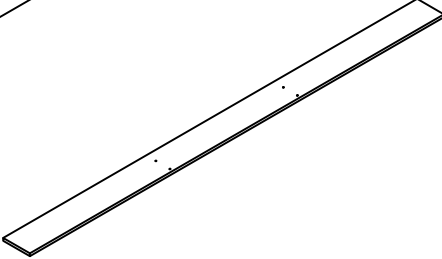
5  
X1



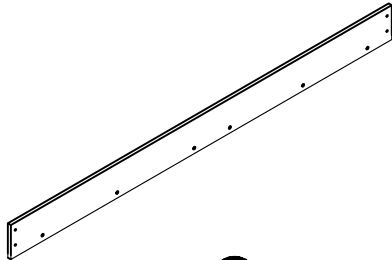
15  
X1



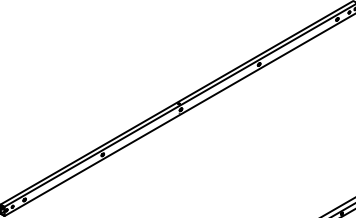
27  
X1



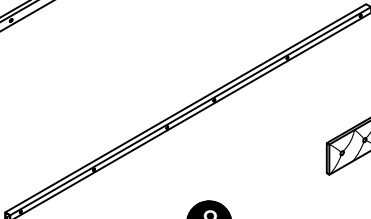
21  
X1



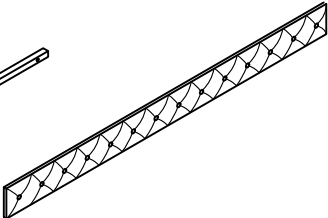
16  
X2



6  
X2



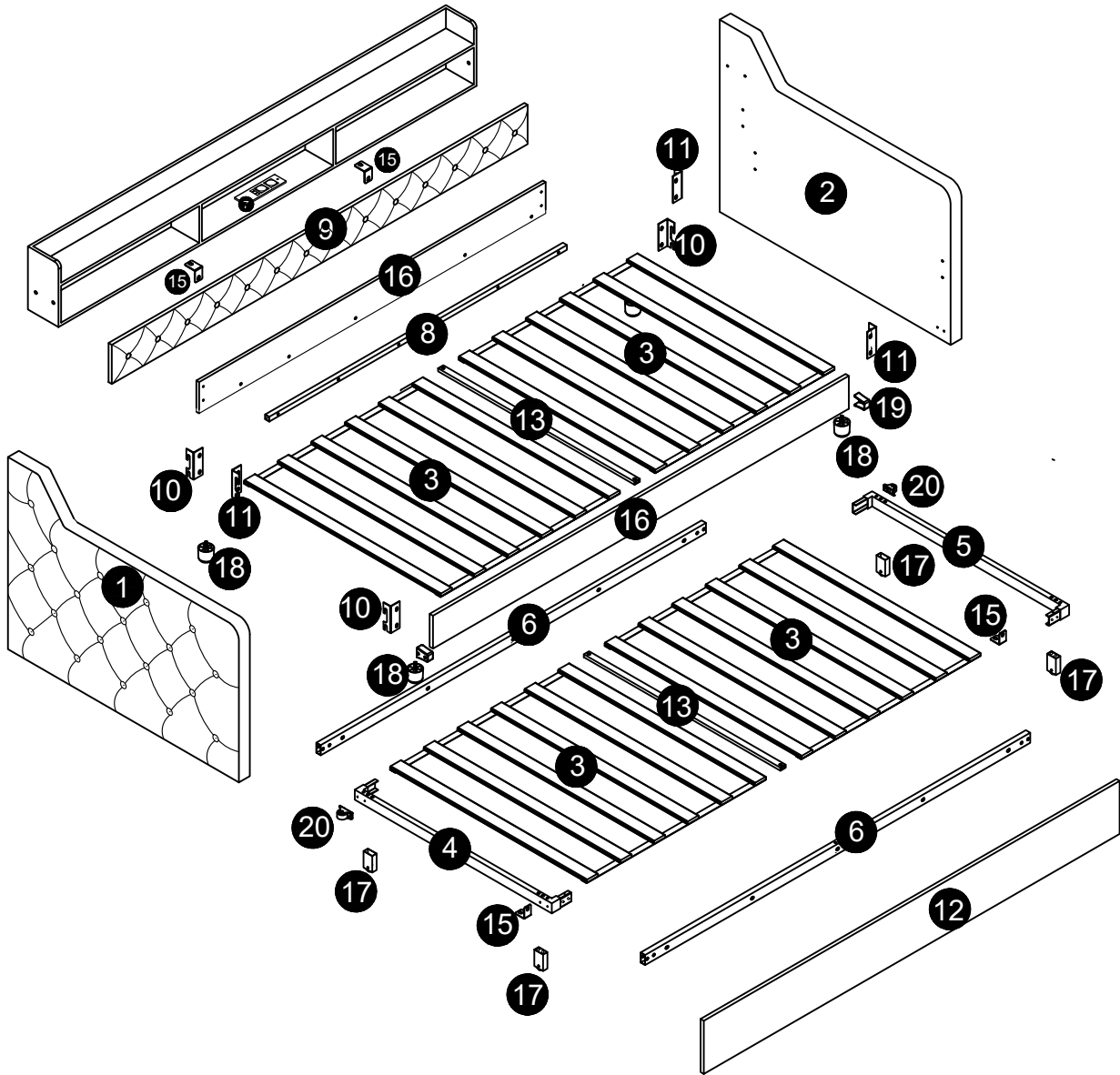
8  
X2



9  
X1

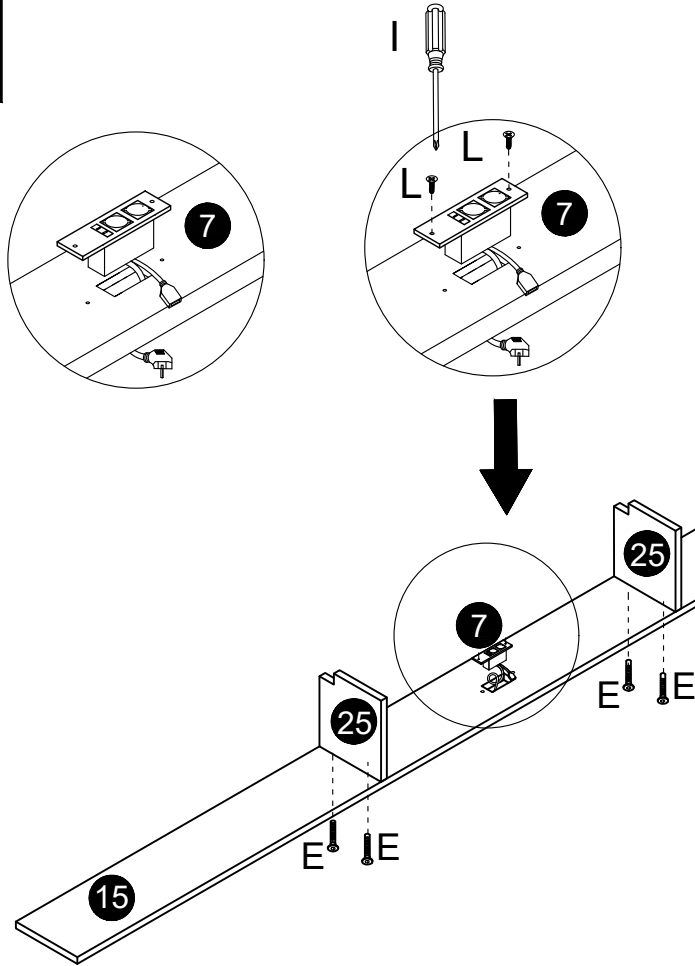
# Assembly Instruction

# OVERVIEW

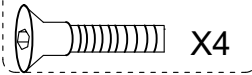


# Assembly Instruction

1



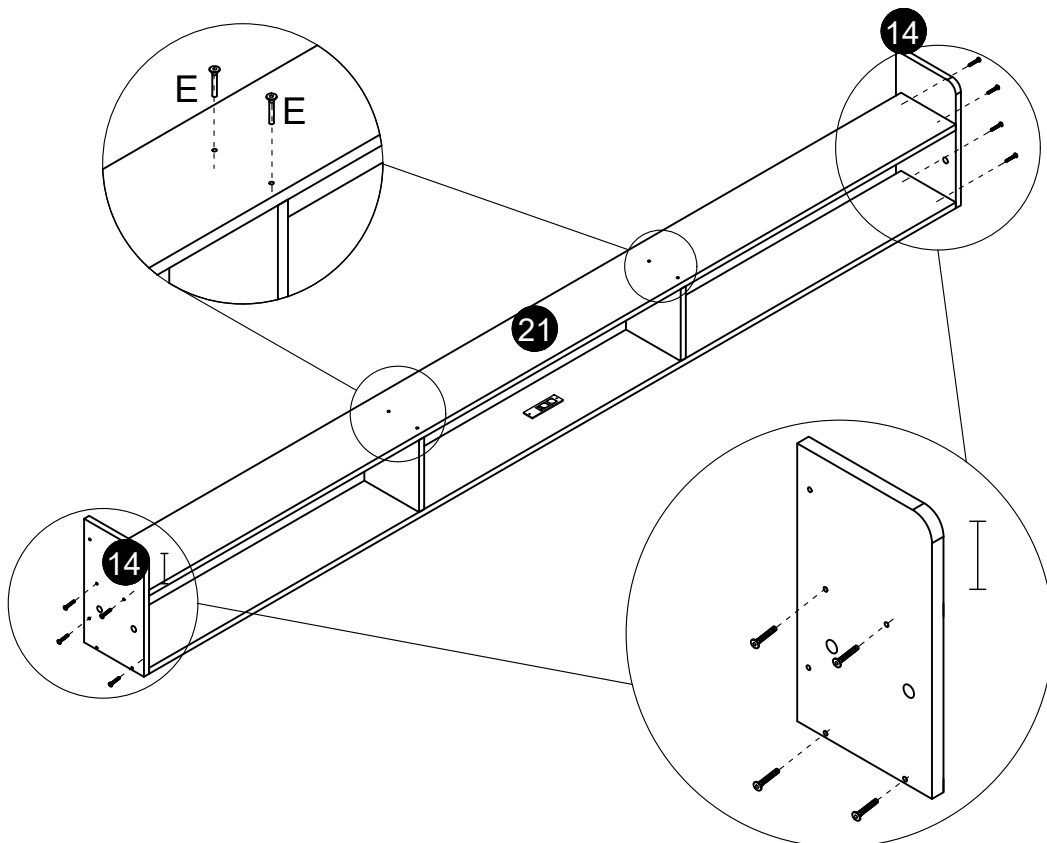
E M5\*35



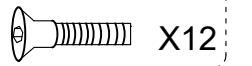
L M3\*12



2



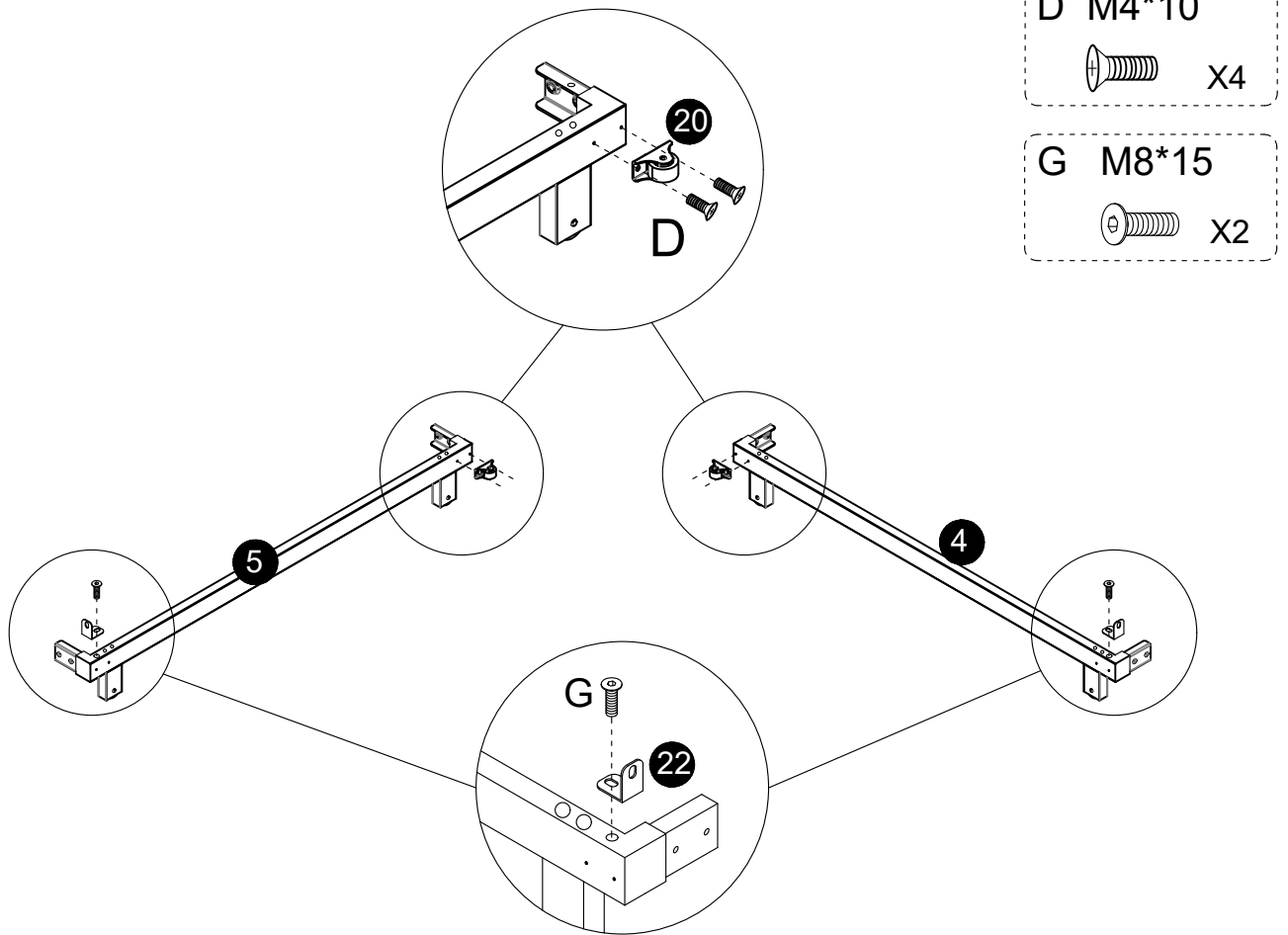
E M5\*35



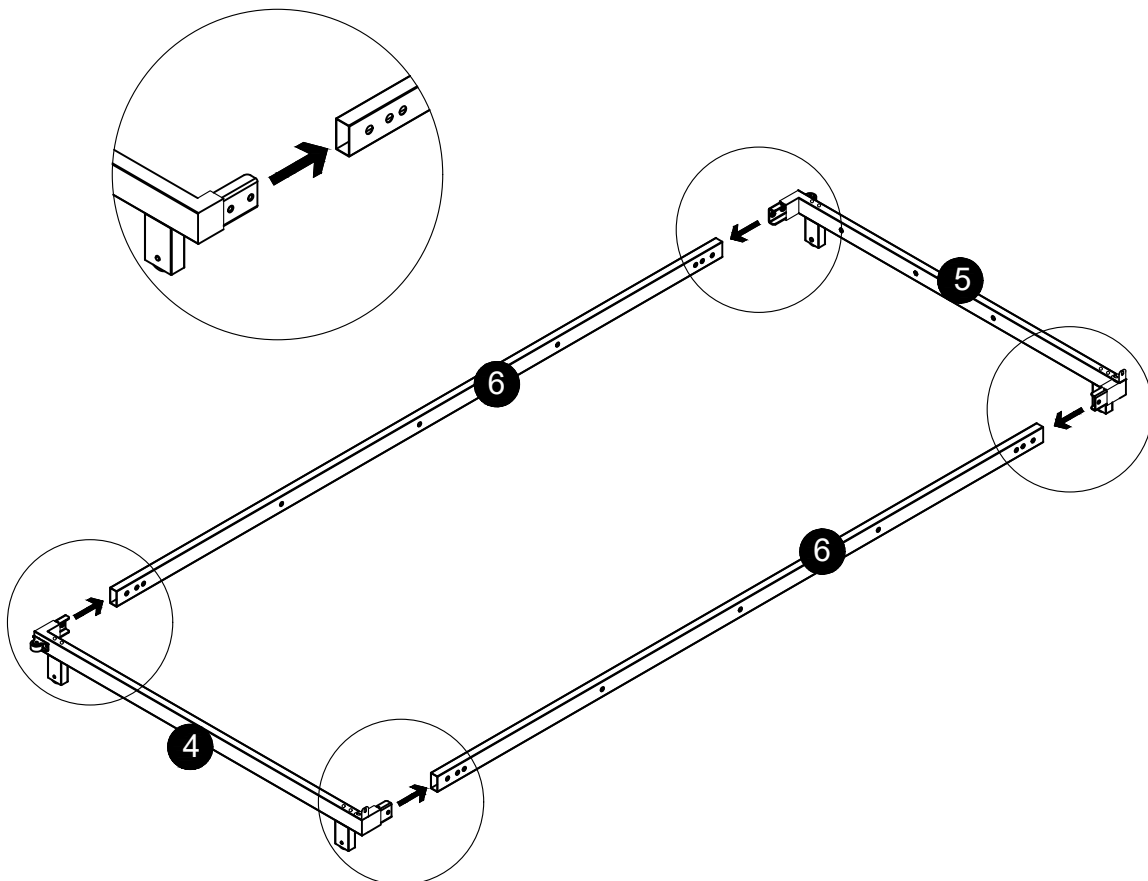


# Assembly Instruction

5




6

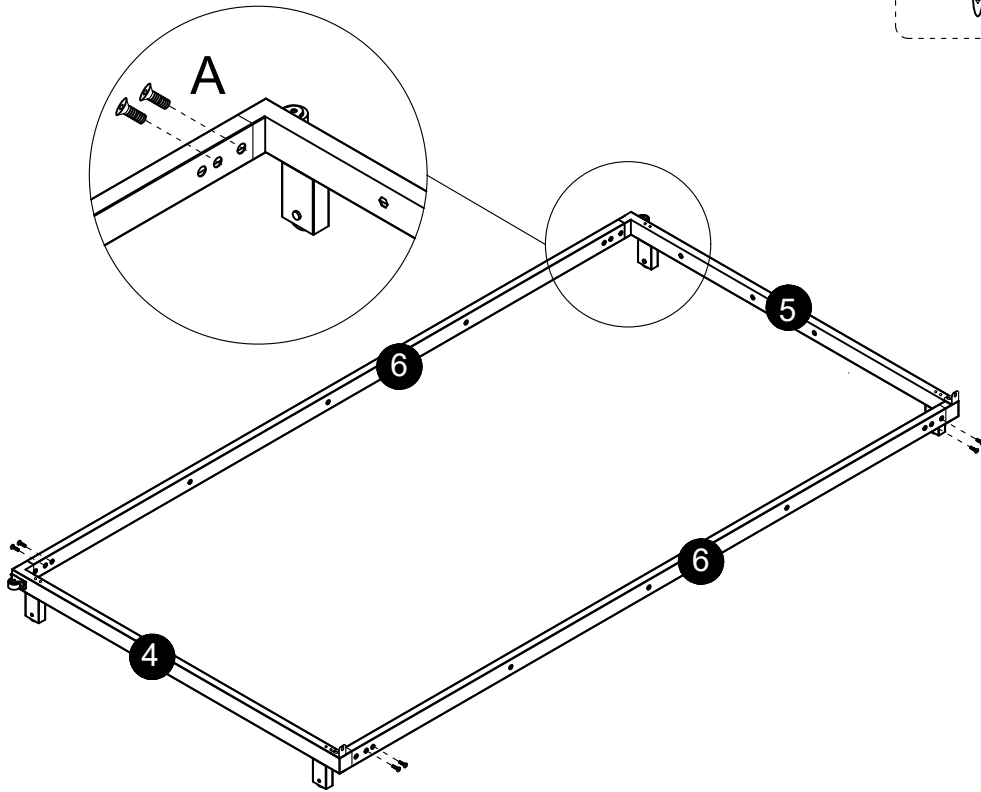


# Assembly Instruction

7

A M6\*20

 X8



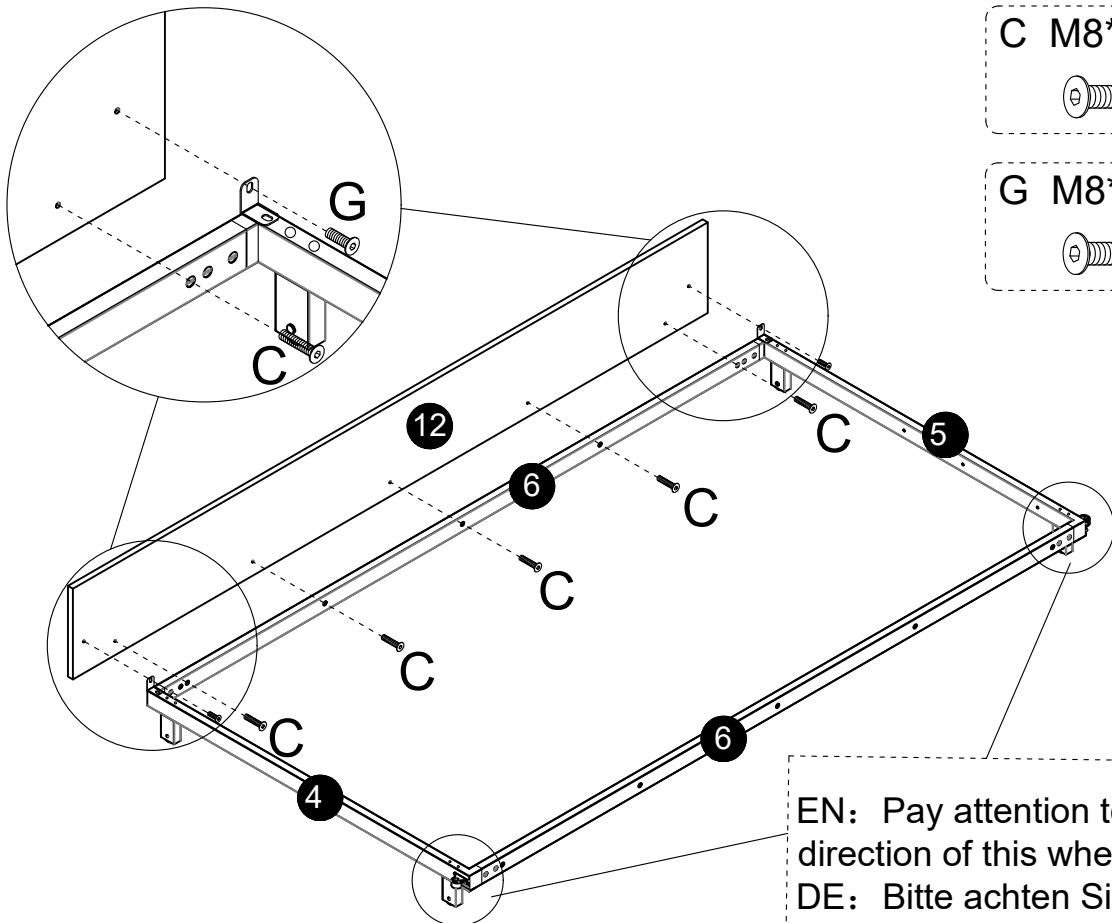
8

C M8\*35

 X5

G M8\*15

 X2



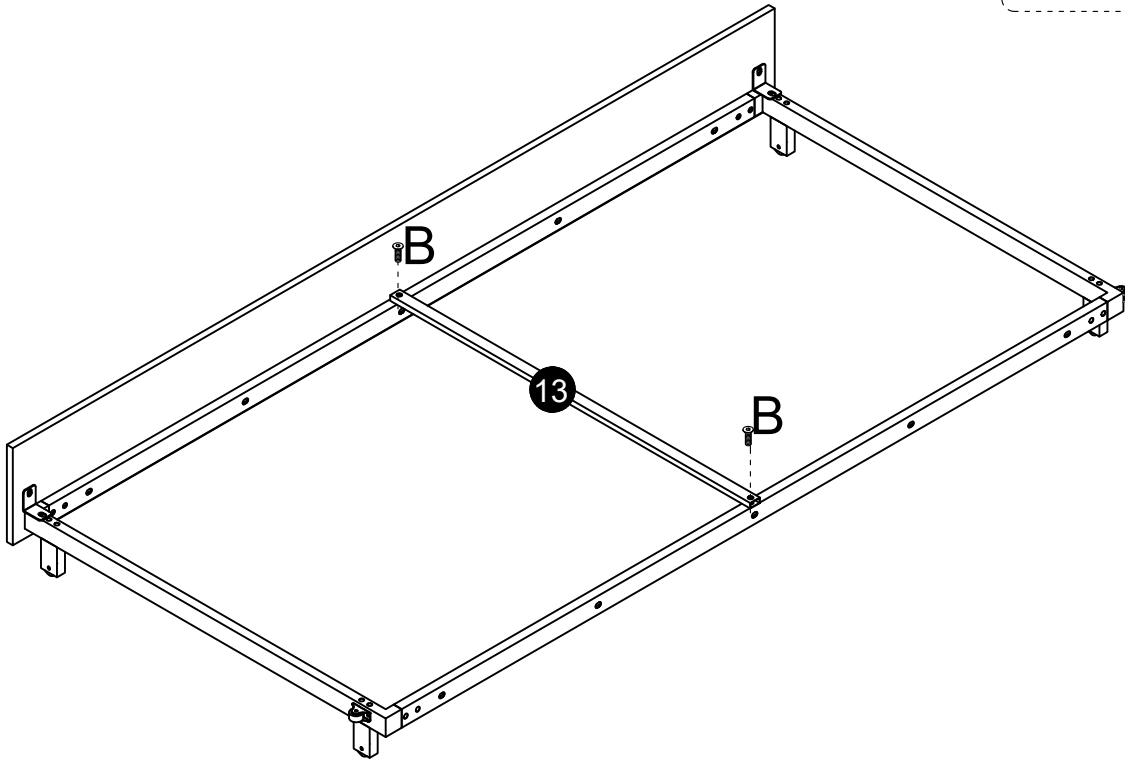
EN: Pay attention to the direction of this wheel  
DE: Bitte achten Sie auf die Richtung der Räder.

# Assembly Instruction

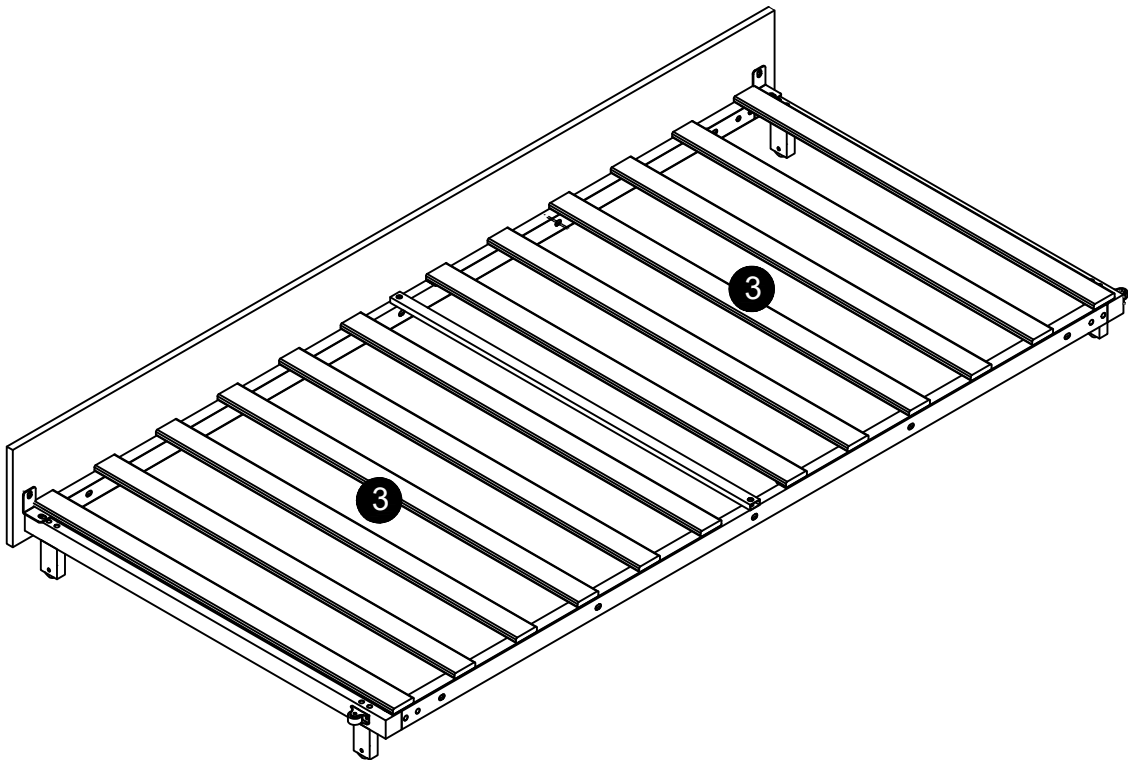
9

B M8\*25

 X2



10

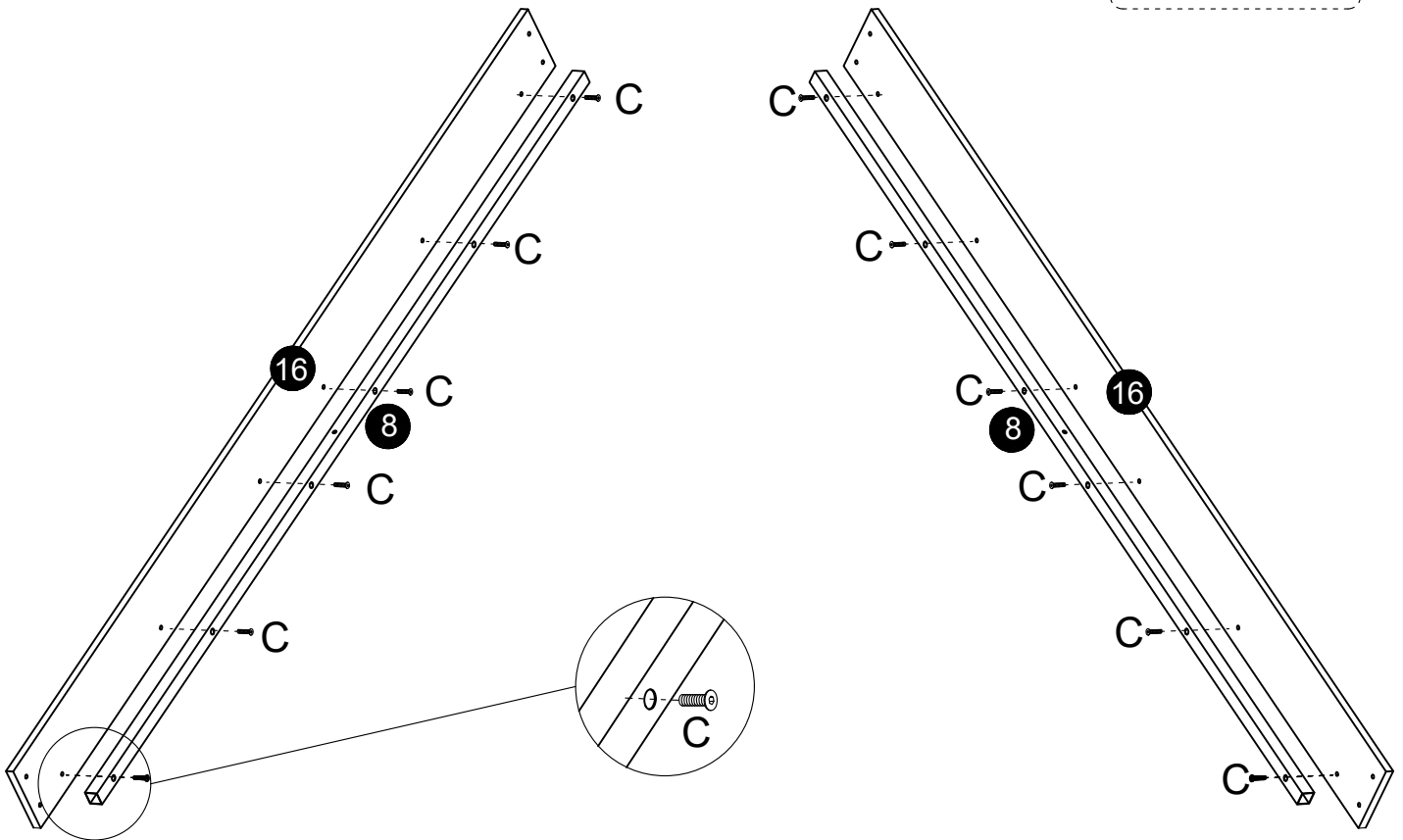


# Assembly Instruction

11

C M8\*35

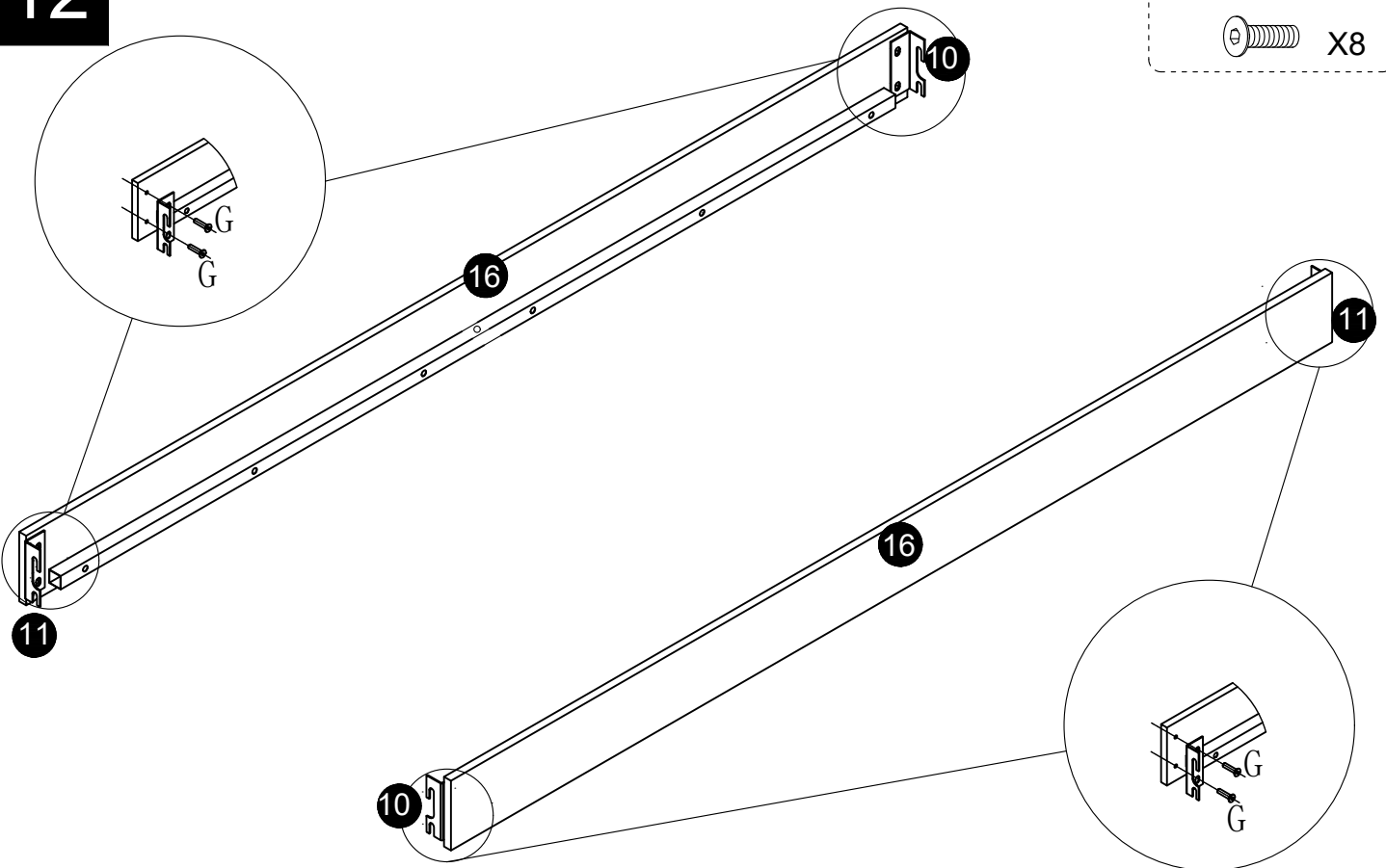
X10



12

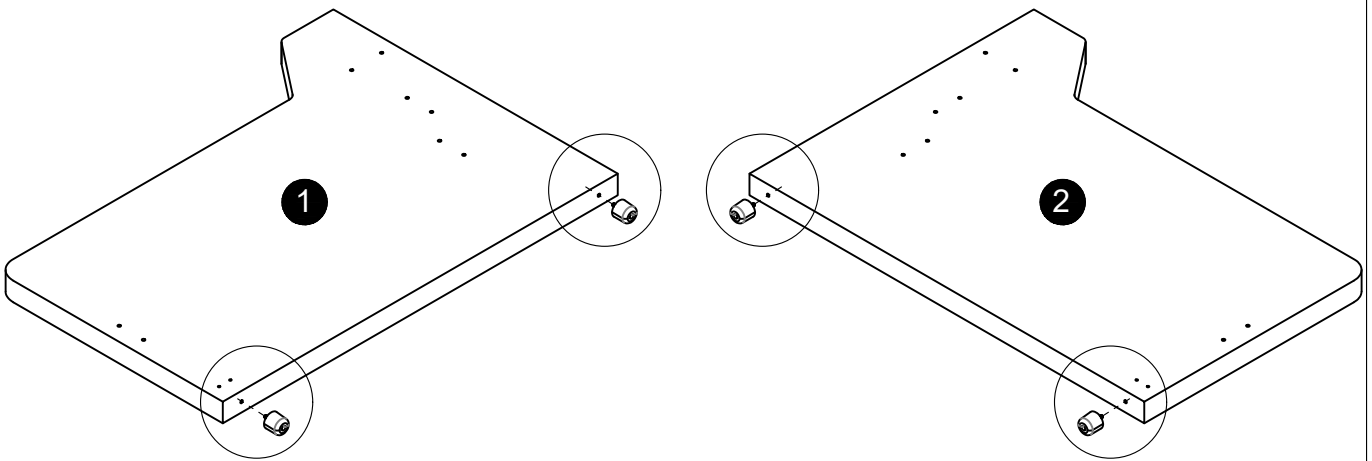
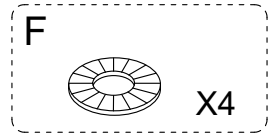
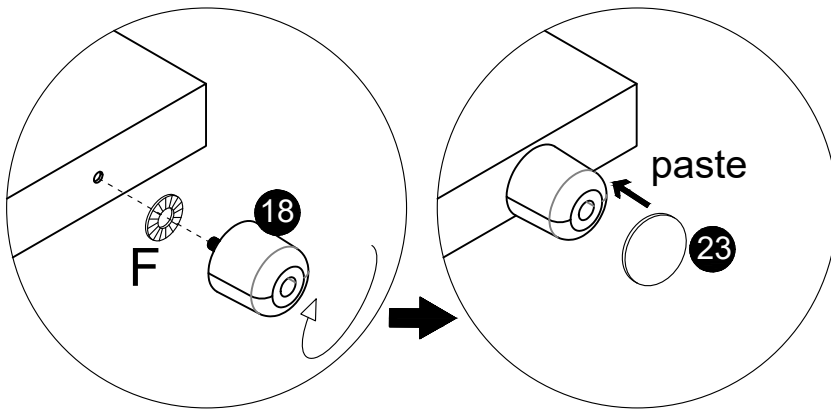
G M8\*15

X8

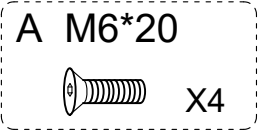
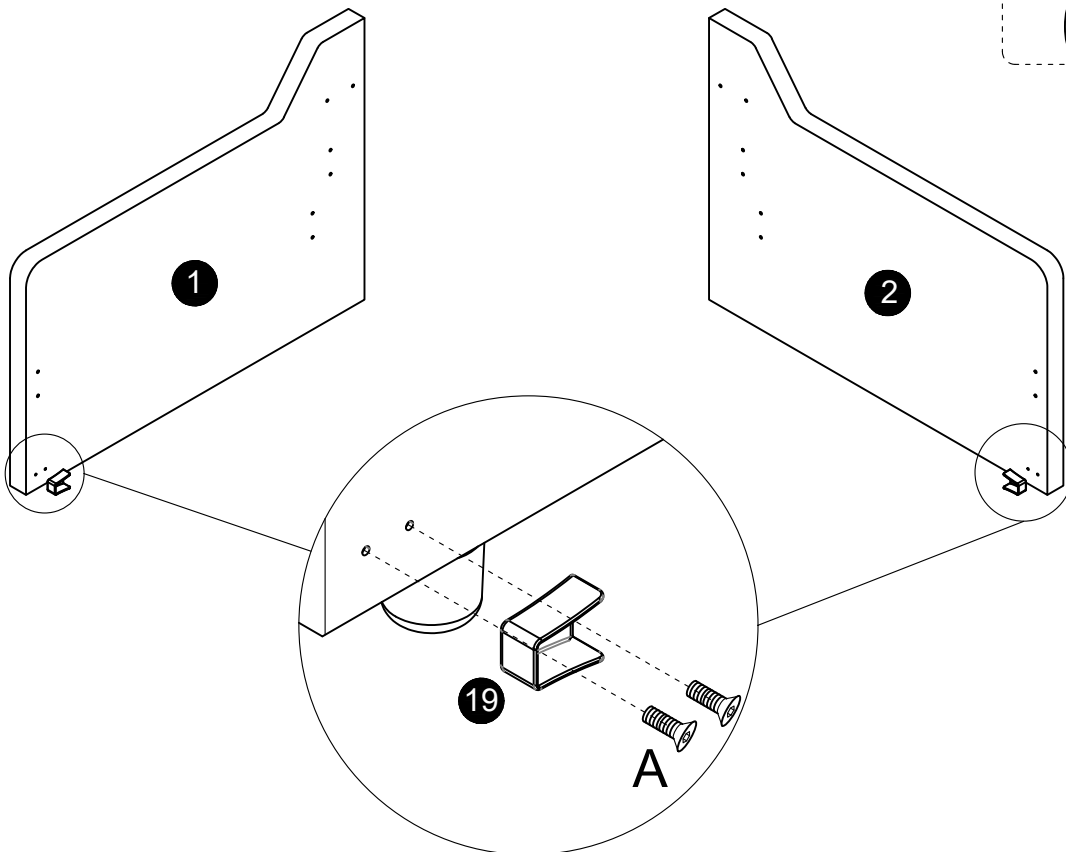


# Assembly Instruction

13

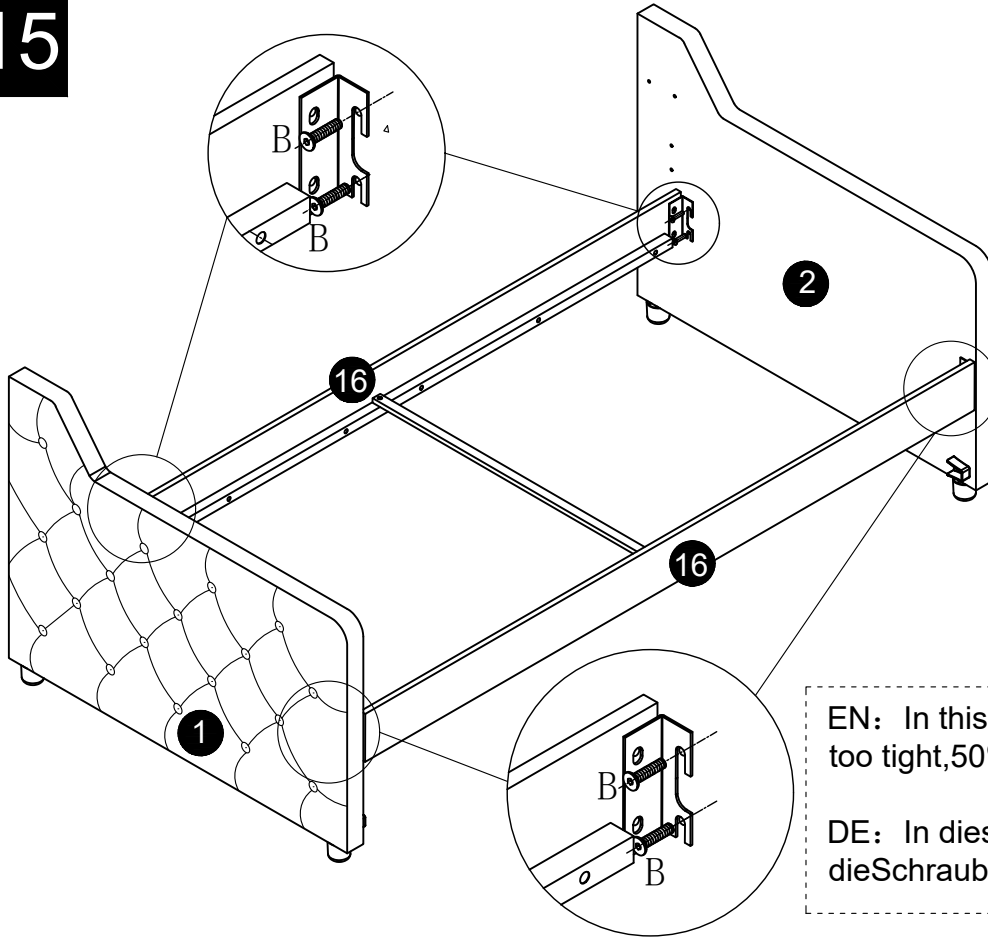


14



# Assembly Instruction

15



B M8\*25

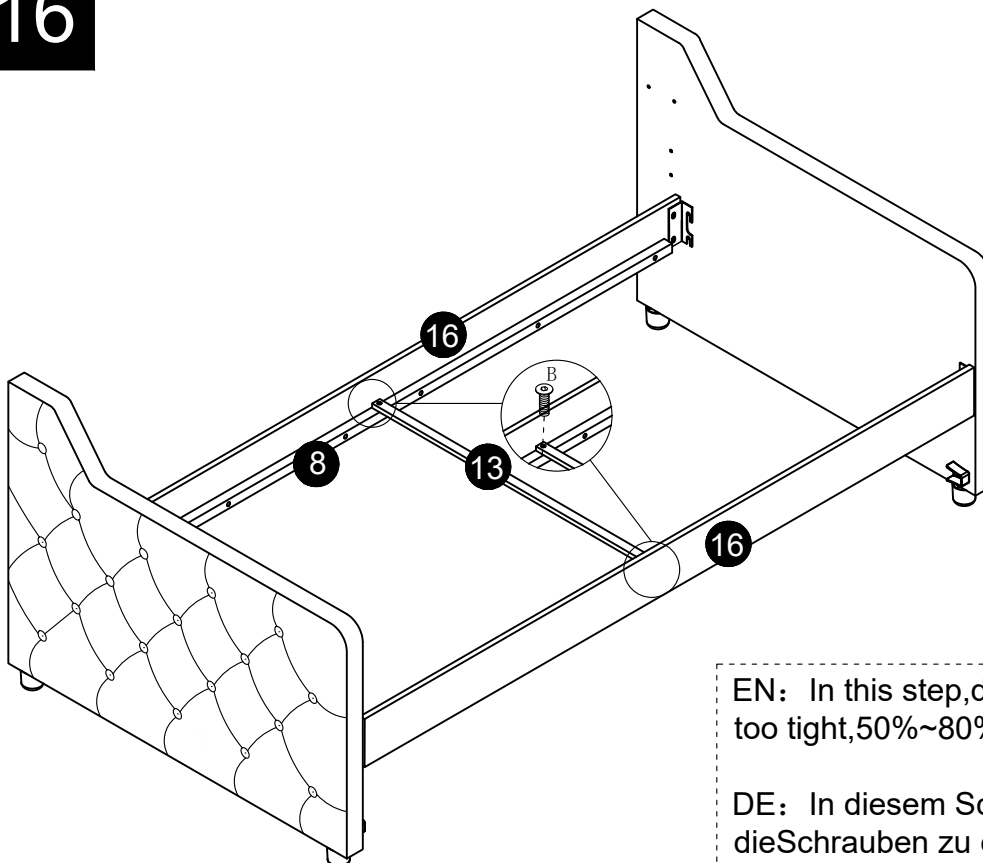


X8

EN: In this step, do not tight the screws too tight, 50%~80% is ok

DE: In diesem Schritt, nicht fest die Schrauben zu eng, 50% ~ 80% ist ok

16



B M8\*25



X2

EN: In this step, do not tight the screws too tight, 50%~80% is ok

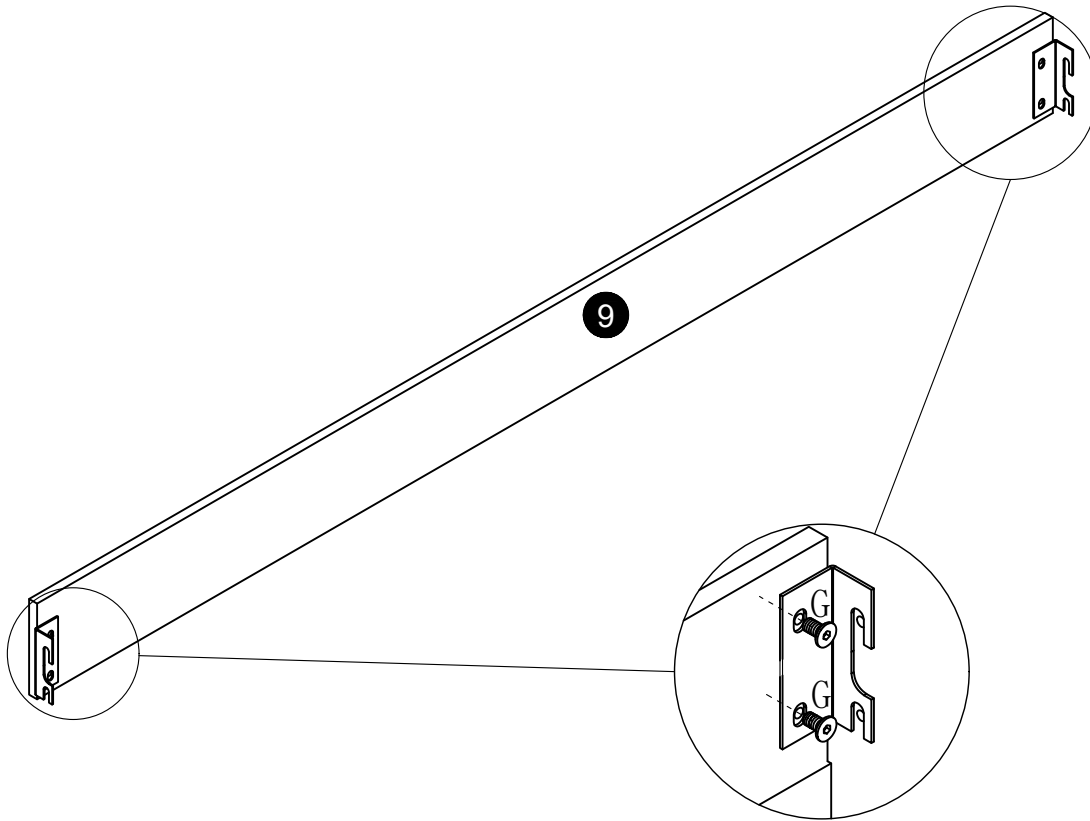
DE: In diesem Schritt, nicht fest die Schrauben zu eng, 50% ~ 80% ist ok

# Assembly Instruction

17

G M8\*15

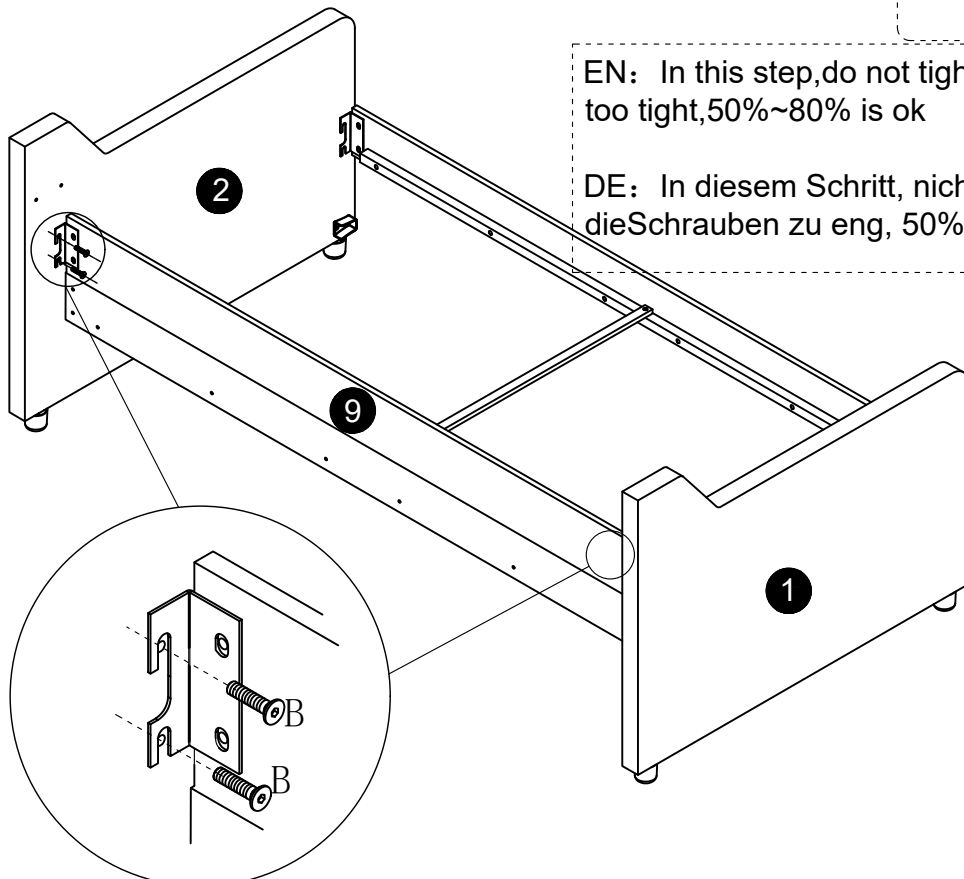
 X4



18

B M8\*25

 X4

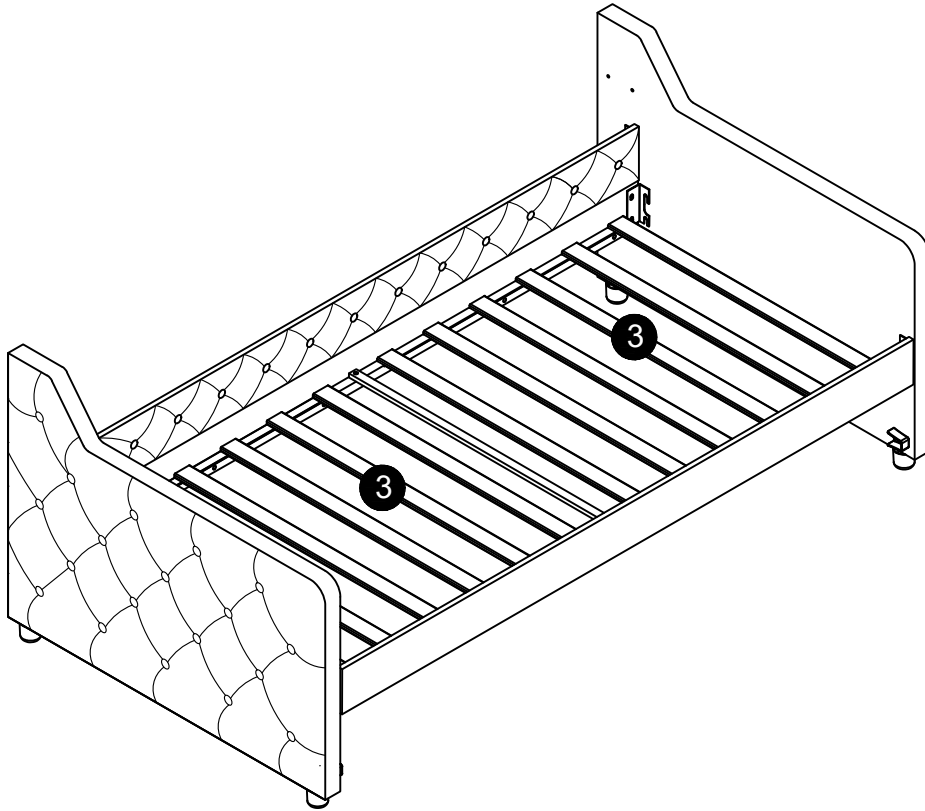


EN: In this step, do not tighten the screws too tight, 50%~80% is ok

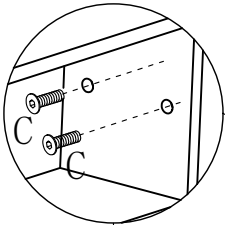
DE: In diesem Schritt, nicht fest die Schrauben zu eng, 50% ~ 80% ist ok

# Assembly Instruction

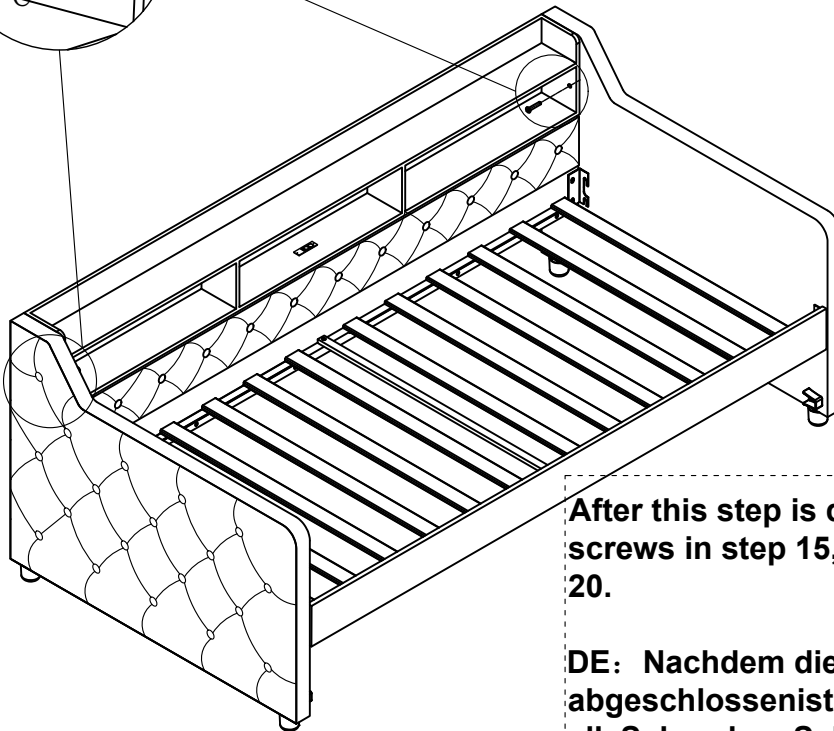
19



20



C M8\*35



After this step is done, tighten all the screws in step 15, step 16, step 18, step 20.

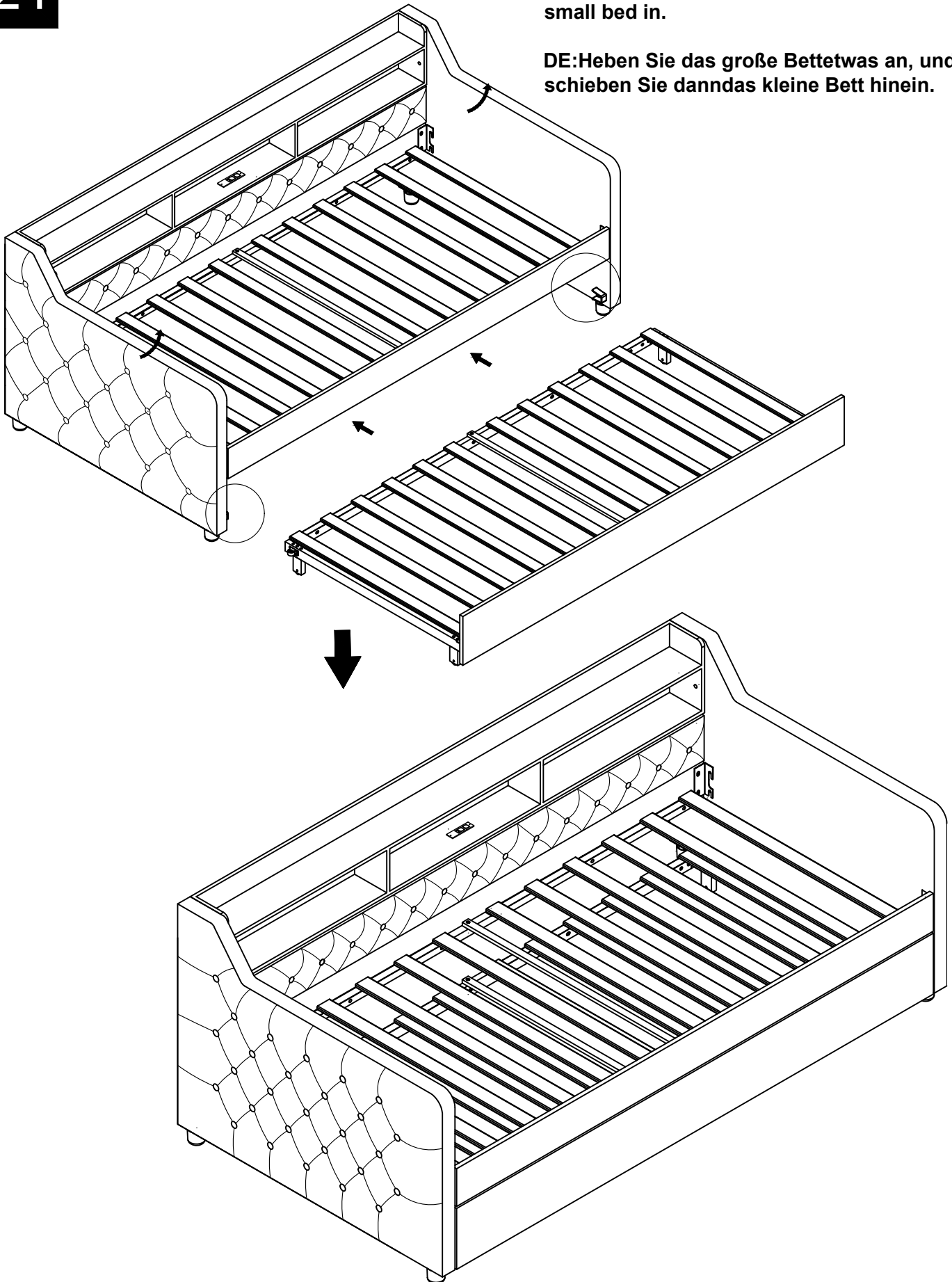
DE: Nachdem dieser Schritt abgeschlossen ist, Strecken Sie alle Schrauben Schritt 15, Schritt 16, Schritt 18, Schritt 20.

# Assembly Instruction

21

EN: Lift the big bed up a bit, then push the small bed in.


DE: Heben Sie das große Bettetwas an, und schieben Sie dann das kleine Bett hinein.

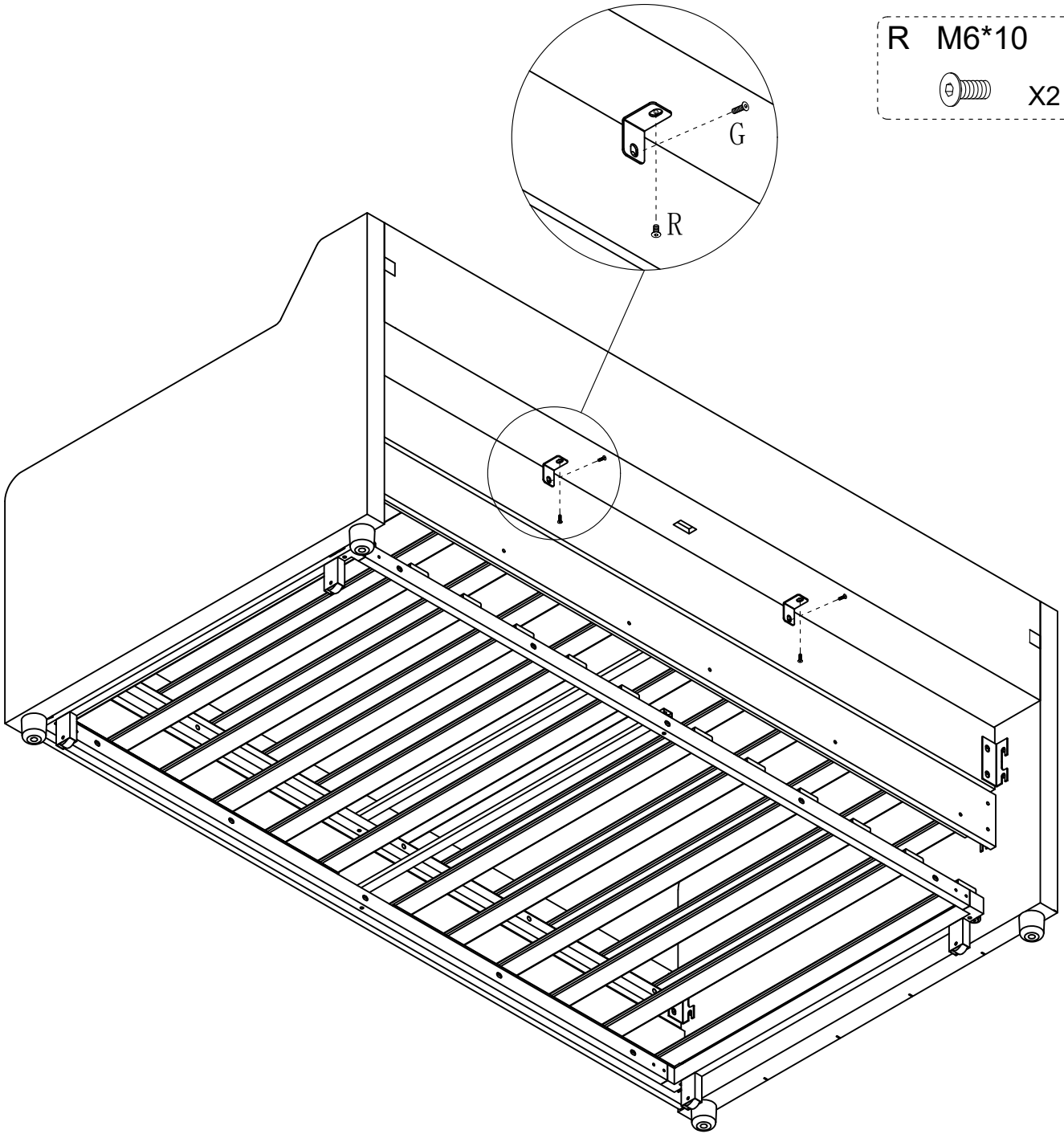


# Assembly Instruction

22

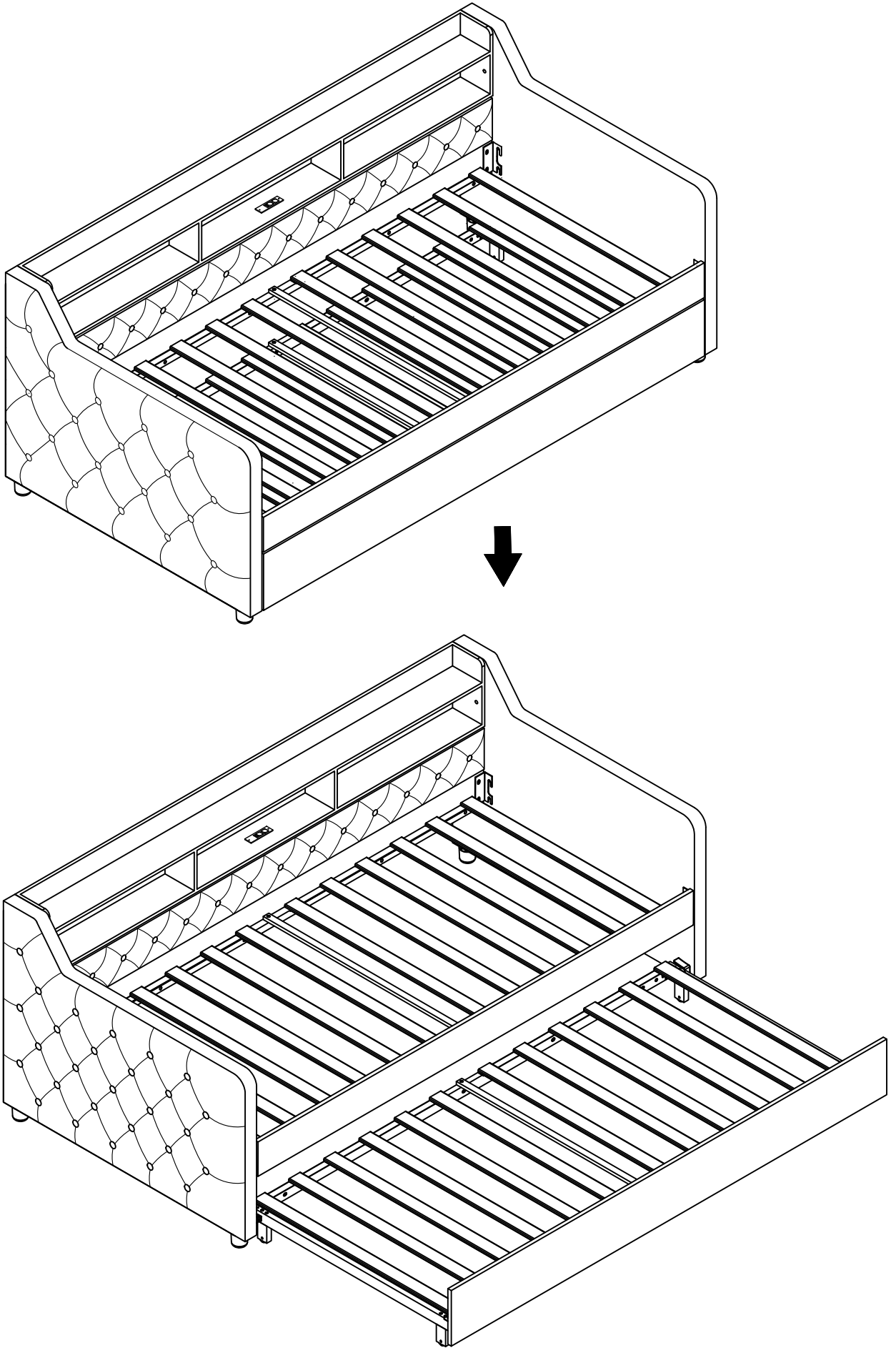
G M8\*15  
 X2

R M6\*10  
 X2



# Assembly Instruction

23



# Assembly Instruction

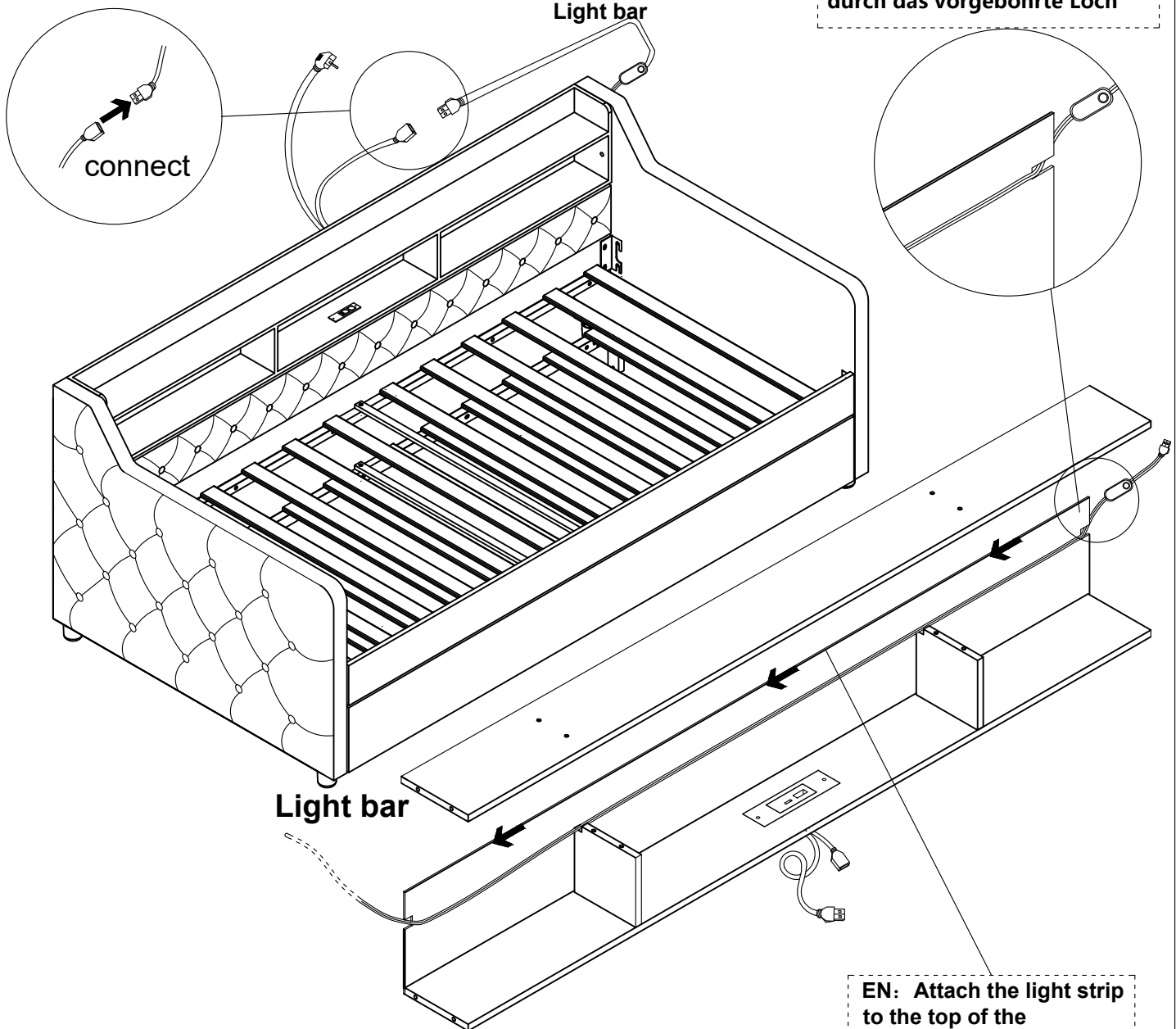
24

**EN:** Remember to use a light strip, and the socket must be connected to a power source before use

**DE:** Denken Sie daran, einen Lichtstreifen zu verwenden, und die Steckdose muss vor der Verwendung an eine Stromquelle angeschlossen werden

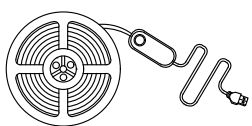
**EN:** Thread the LED strip through the pre-drilled hole

**DE:** Gewinde den LED-Streifen durch das vorgebohrte Loch



**EN:** Attach the light strip to the top of the interior of the cabinet

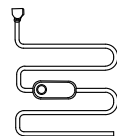
**DE:** Befestigen Sie den Lichtstreifen an die Spitze des Innenraum des Schrank



Light bar



Pull out and unfold



Light bar

The unfolded light strip has a light strip surface on one side and a adhesive backing on the other side

GB. notice: The battery in the remote control requires you to purchase and install it yourself.

Model: CR2025 3.V

DE-HINWEIS: Die Batterie in der fernbedienung massen Sie selbst kaufen und installieren

Modell: CR2025 3.V

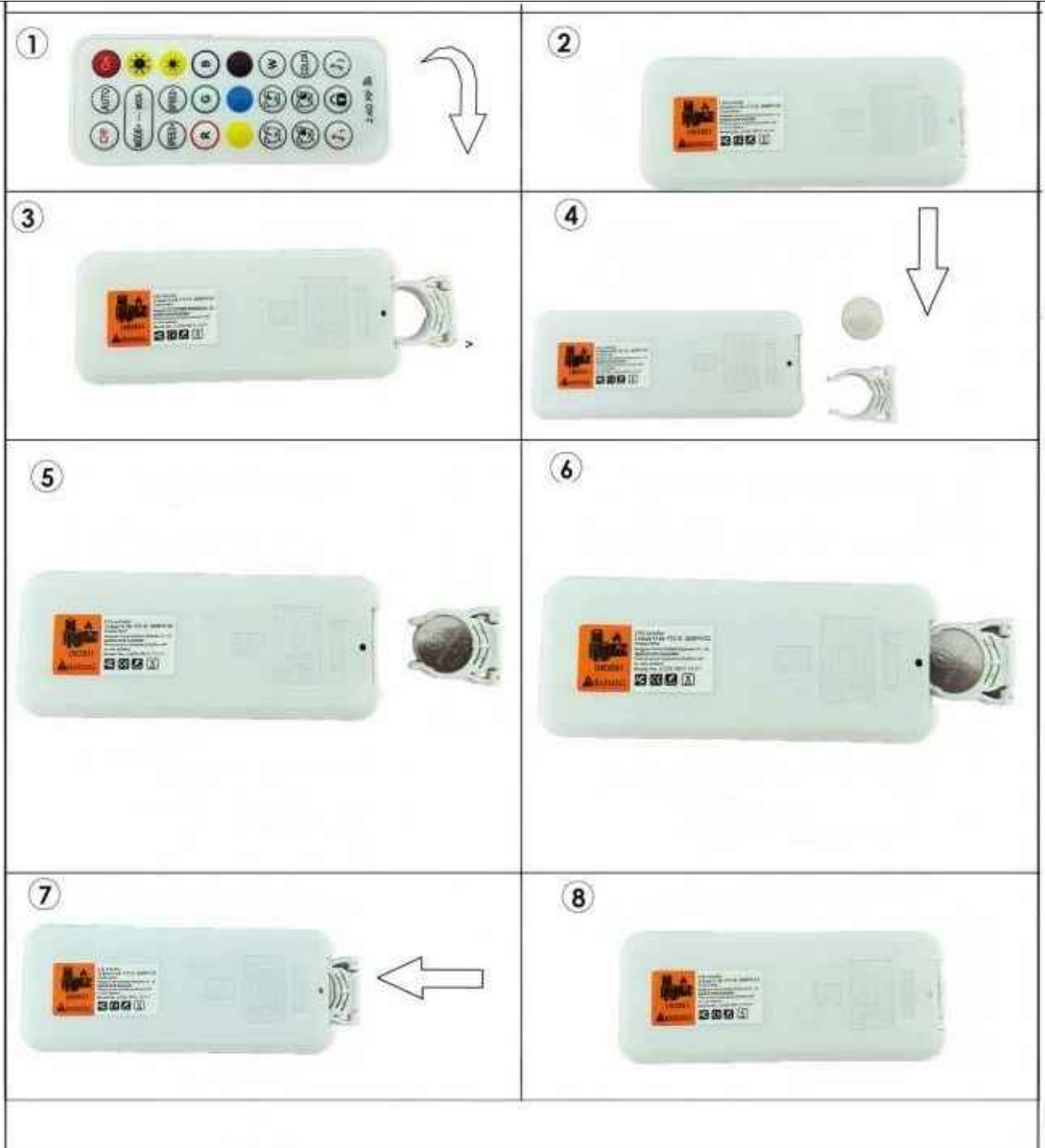
FR-REMARQUE : la pile de la télécommande doit être achetée et installée par vos soins.

Modèle: CR2025 3.V

IT-NOTA: la batteria de! telecomando deve essere acquistata e installata autonomamente.

Modello: CR2025 3.V

ES -NOTA: La pila del mando a distancia debe comprarla e instalarla usted mismo Modelo CR2025 3.V



# Attestation of Compliance



Attestation No. : LCSA08094161E

Approval Holder : Shenzhen Pinchengxin Technology Co., Ltd

Address : 3rd floor, 8 building Yuanling industrial zon, No. 39 Yuanlingcun road, Shiyan street, Bao'an district, Shenzhen

Manufacturer : Shenzhen Pinchengxin Technology Co., Ltd

Address : 3rd floor, 8 building Yuanling industrial zon, No. 39 Yuanlingcun road, Shiyan street, Bao'an district, Shenzhen

Brand Name : N/A

Product : 5050 RGB LED Strip Lights with Bluetooth App Controller

Type/Model Name : 5050 RGB

H/S Version : HW: 1.0  
SW: 1.0

Attestation of the technical design of the radio equipment according to the following essential requirements set out in article 3 of the RED 2014/53/EU:

Article 3.1a): Health and Safety	Conform
Article 3.1b): Electromagnetic Compatibility	Conform
Article 3.2: Effective Use of the Radio Spectrum	Conform
CE-marking	

Marking Example (Class 1)



This attestation is issued in accordance with the Directive 2014/53/EU of the European Parliament and of the Council of 16 April 2014 on the harmonisation of the laws of the Member States relating to the making available on the market of radio equipment.

September 18, 2024

Date of issue



Manager

Shenzhen LCS Compliance Testing Laboratory Ltd.  
Room 101, 201, Building A and Room 301, Building C, Juji Industrial Park, Yabianxueziwei, Shajing Street,  
Bao'an District, Shenzhen, Guangdong, China  
Tel: (86)0755-82591330 Fax: (86)0755-82591332  
Http://www.lcs-cert.com Email: webmaster@lcs-cert.com



Shenzhen ZKT Technology Co., Ltd.  
 1/F, No. 101, Building B, No. 6, Tangwei Community Industrial Avenue,  
 Fuhai Street, Bao'an District, Shenzhen, China



# Certificate of Compliance

Certificate Number: ZKT-2405094943C

- Certificate's Holder** : Shenzhen Pinchengxin Technology Co., Ltd  
 3rd Floor, 8th Building Yuanling Industrial Zone, No. 39  
 Yuanlingcun Road, Shiyan Street, Bao'an District,  
 Shenzhen
- Manufacturer** : Shenzhen Pinchengxin Technology Co., Ltd  
 3rd Floor, 8th Building Yuanling Industrial Zone, No. 39  
 Yuanlingcun Road, Shiyan Street, Bao'an District,  
 Shenzhen
- Trade Mark** : N/A
- Product** : 5050 RGB LED Strip Lights with Bluetooth App Controller  
 and 2.4G Remote
- Model(s)** : 5050 RGB LED Strip Lights
- Test Standard** :
- |            |        |   |
|------------|--------|---|
| Art.3.1(a) | Safety | BS EN IEC 62368-1:2020+A11:2020   |
| Art.3.1(a) | Health | BS EN IEC 62311:2020<br>BS EN 50665:2017                                  |
| Art.3.1(b) | EMC    | ETSI EN 301 489-1 V2.2.3 (2019-11)<br>ETSI EN 301 489-17 V3.2.4 (2020-09) |
| Art.3.2    | Radio  | ETSI EN 300 328 V2.2.2 (2019-07)  |

This Attestation of Compliance is issued on a voluntary basis for electrical equipment below the voltage limits of Radio Equipment Directive (RED) SI 2017 No.1206. The essential requirements are fulfilled accordingly based on the technical specifications applicable at the time of issuance.



This Certificate of Conformity is based on single evaluation of the submitted sample(s) of the above mentioned product. It does not imply an assessment of the whole product and relevant Directives to be observed.

# Shenzhen Pinchengxin Technology Co., Ltd

Federal Communications Commission  
Authorization and Evaluation Division  
Equipment Authorization Branch  
7435 Oakland Mills Road  
Columbia, MD 21046

9/2/2024

## U.S. Agent Designation

Shenzhen Pinchengxin Technology Co., Ltd acknowledges their consent for the following contact located in the United States to act as their agent for service of process for the equipment for which authorization is sought (FCC ID: ~~2BKKLPCX~~-977):

Name and company of U.S. agent: FCC US Agent, LLC  
Physical U.S. address of agent: 3722 Illinois Avenue, Saint Charles, IL, 60174, USA  
FRN of U.S. agent: 0033402884  
Email address of U.S. agent: Support@FCCUSAgent.com

FCC US Agent, LLC acknowledges their obligation to accept service of process on behalf of Shenzhen Pinchengxin Technology Co., Ltd.

Shenzhen Pinchengxin Technology Co., Ltd with the FRN 0035866896 accepts its obligation to maintain an agent for service of process in the United States for no less than one year after either the grantee has permanently terminated all marketing and importation of the applicable equipment within the U.S., or the conclusion of any Commission-related administrative or judicial proceeding involving the equipment, whichever is later.

By signing this form, we confirm the above and that we are aware of the application requirements listed under § 2.911(d)(7).

The information provided in this letter is based on the referenced rule parts of Title 47 of the CFR as well as KDB 986446 D01.

An expiration date for this letter does not exist. In case the U.S. agent changes, the grantee is obligated to notify the FCC within 30 days via the granting TCB.

Sincerely,

CHENG ZHANG

Signature  
CHENG ZHANG  
Manager  
Shenzhen Pinchengxin Technology Co., Ltd

Tim  
Payne

Digitally signed by Tim Payne  
DN: cn=Tim Payne, o=FCC US Agent, LLC, email=Support@FCCUSAgent.com, c=US

Signature  
Tim Payne  
Manager  
FCC US Agent, LLC