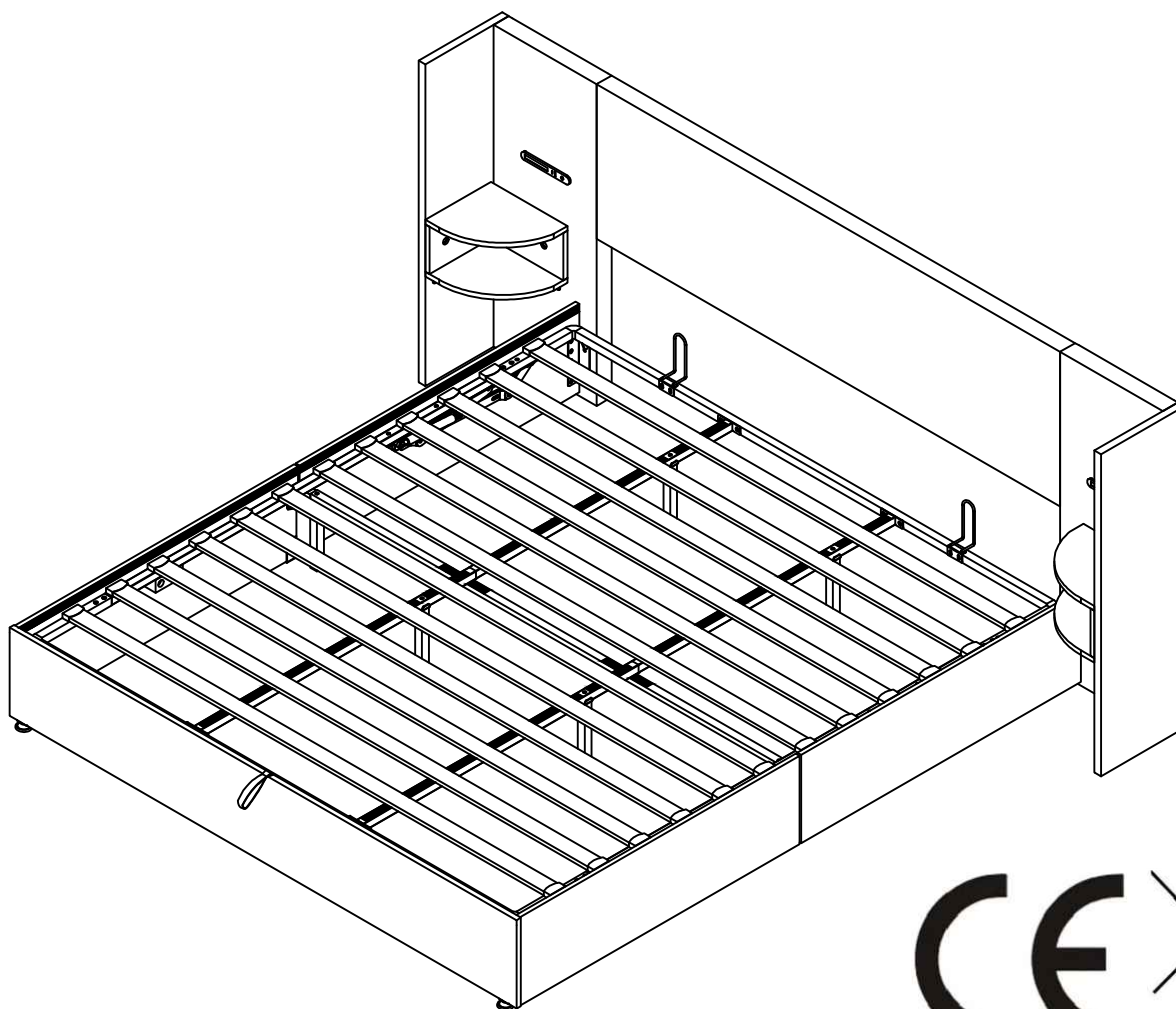


Montageanleitung | Instructions de montage
Assembly Instructions | Instrucciones de montaje
SKU NUMBER: N616P227505 N616P227506
N616P227507



GB This set comes in 3 boxes. If you do not receive a full set of 3 boxes, please contact our customer service.

DE Dieses Set wird in 3 Schachteln geliefert. Wenn Sie nicht ein komplettes Set von 3 Boxen erhalten, kontaktieren Sie bitte unseren Kundenservice.

FR Ce set est livré en 3 boîtes. Si vous ne recevez pas un jeu complet de 3 boîtes, veuillez contacter notre service clientèle.

English

IMPORTANT FOR GAS LIFT BEDS&MAINTAINCE

- Please place the mattress on top of the bed frame.
- Please do not pull on the strap handles.
- Please press heavily to release the compressed gas.
- Periodically check all screw & fixings to ensure they are secure.
- When moving your product, carefully lift into place.
- Wipe clean with a slightly damp cloth- please do not use abrasive chemicals or bleach.
- Do NOT allow children to operate the lift mechanism.
- Do NOT allow children near the lift base when operating the mechanism.
- Do NOT stand inside the bed or the internal storage base.
- Do NOT overload the internal storage base.
- DO NOT jump on the product or any of its parts.

Deutsch

WICHTIG FÜR GASLIFT-BETTEN&WARTUNG

- Bitte legen Sie die Matratze oben auf den Bettrahmen.
- Bitte ziehen Sie nicht an den Gurtgriffen.
- Bitte drücken Sie kräftig, um das komprimierte Gas freizusetzen.
- Überprüfen Sie regelmäßig alle Schrauben und Befestigungen, um sicherzustellen, dass sie sicher sind.
- Wenn Sie Ihr Produkt bewegen, heben Sie es vorsichtig an seinen Platz.
- Mit einem leicht feuchten Tuch abwischen - bitte keine scheuernden Chemikalien oder Bleichmittel verwenden.
- Erlauben Sie Kindern NICHT, den Hebemechanismus zu bedienen.
- Lassen Sie Kinder NICHT in die Nähe des Liftsockels, wenn Sie den Mechanismus bedienen.
- Stellen Sie sich NICHT in das Bett oder in die Innenablage.
- Überlasten Sie den internen Liftsockel NICHT.
- Springen Sie NICHT auf das Produkt oder eines seiner Teile.

Français

IMPORTANT POUR LES LITS À RELEVAGE DE GAZ&MAINTENANCE

- Veuillez placer le matelas sur le dessus du cadre de lit.
- Ne tirez pas sur les poignées de la sangle.
- Appuyez fortement pour libérer le gaz comprimé.
- Vérifiez régulièrement que toutes les vis et fixations sont bien en place.
- Lorsque vous déplacez votre produit, soulevez-le avec précaution pour le mettre en place.
- Nettoyez avec un chiffon légèrement humide - n'utilisez pas de produits chimiques abrasifs ou d'eau de Javel.
- Ne laissez pas les enfants utiliser le mécanisme de levage.
- Ne laissez pas les enfants s'approcher de la base de levage lorsqu'ils actionnent le mécanisme.
- Ne vous tenez PAS à l'intérieur du lit ou de la base de stockage interne.
- Ne surchargez pas la base de stockage interne.
- Ne pas sauter sur le produit ou l'une de ses parties.

Italiano

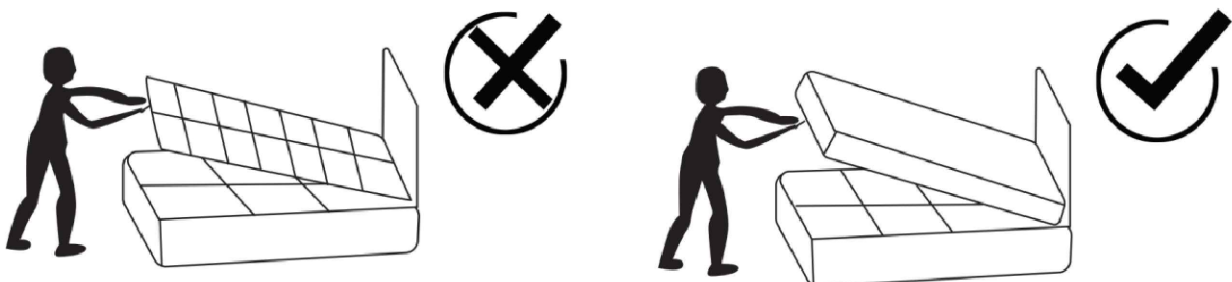
IMPORTANTE PER I LETTI CON SOLLEVAMENTO A GAS E LA MANUTENZIONE

- Posizionare il materasso sopra la struttura del letto.
- Non tirare le maniglie della cinghia.
- Premere con forza per rilasciare il gas compresso.
- Controllare periodicamente tutte le viti e i fissaggi per assicurarsi che siano saldi.
- Quando si sposta il prodotto, sollevarlo con cautela.
- Pulire con un panno leggermente umido, senza usare prodotti chimici abrasivi o candeggina.
- NON permettere ai bambini di azionare il meccanismo di sollevamento.
- NON permettere ai bambini di avvicinarsi alla base di sollevamento quando si aziona il meccanismo.
- NON sostare all'interno del letto o della base di contenimento interna.
- NON sovraccaricare la base di contenimento interna.
- NON saltare sul prodotto o sulle sue parti.

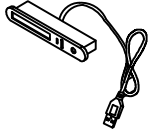
Español

IMPORTANTE PARA LAS CAMAS ELEVADORAS DE GAS&MANTENIMIENTO

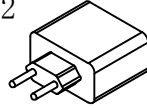
- Coloque el colchón sobre el somier.
- No tire de las asas de la correa.
- Presione con fuerza para liberar el gas comprimido.
- Compruebe periódicamente que todos los tornillos y fijaciones estén bien sujetos.
- Al mover el producto, levántelo con cuidado para colocarlo en su sitio.
- Limpie con un paño ligeramente humedecido; no utilice productos químicos abrasivos ni lejía.
- NO permita que los niños accionen el mecanismo de elevación.
- NO permita que los niños se acerquen a la base elevadora cuando accionen el mecanismo.
- NO se ponga de pie dentro de la cama o de la base de almacenamiento interna.
- NO sobrecargue el somier.
- NO salte sobre el producto ni sobre ninguna de sus piezas.



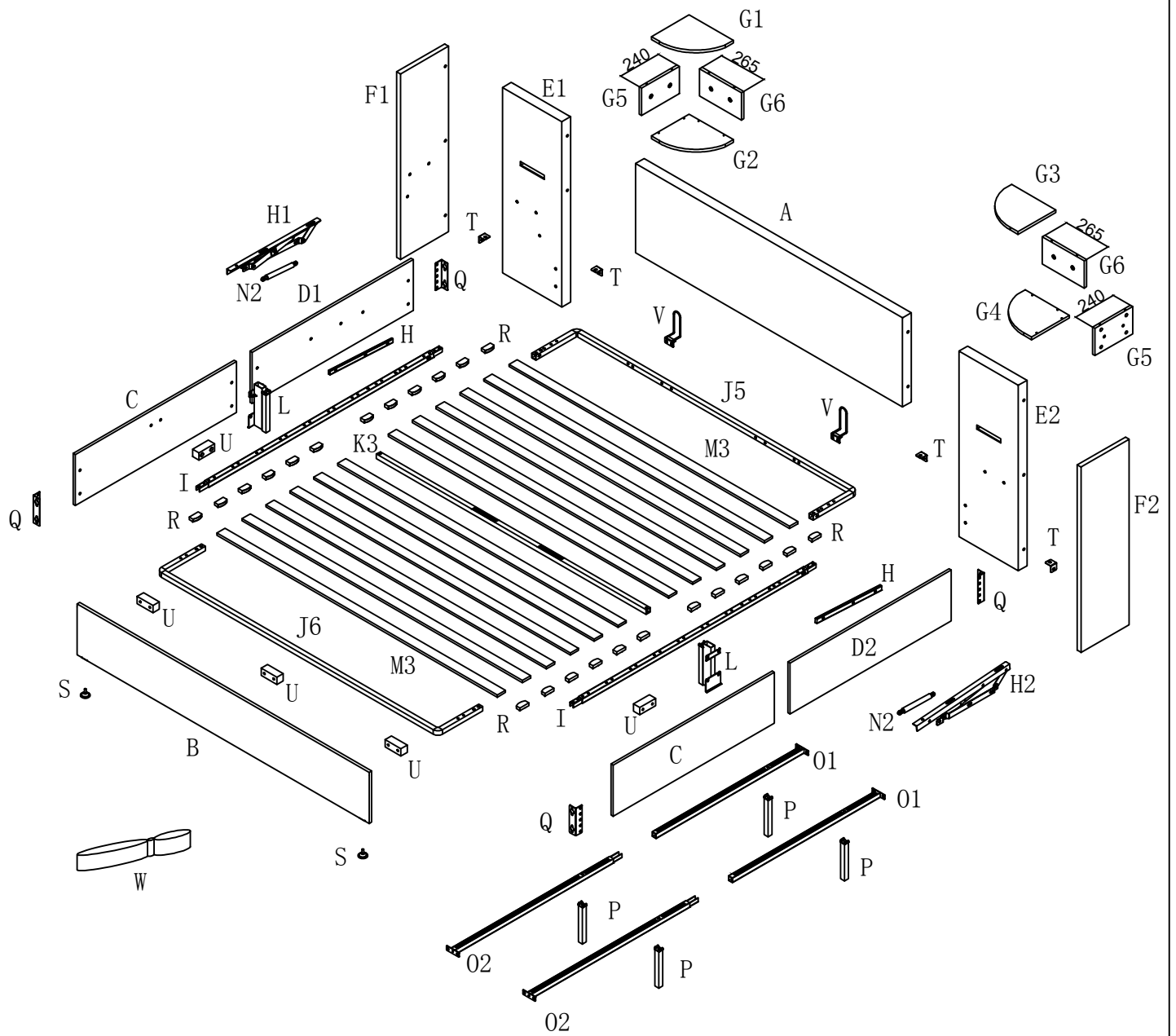
Y1 2PCS



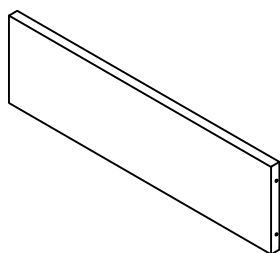
Y2



Y3 8PCS



Part list N616P227505



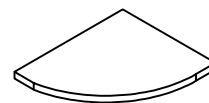
A*1PC



G1*1PC



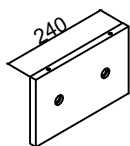
G2*1PC



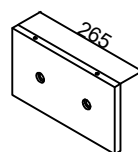
G3*1PC



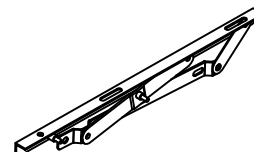
G4*1PC



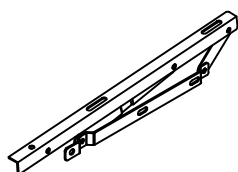
G5*2PCS



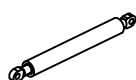
G6*2PCS



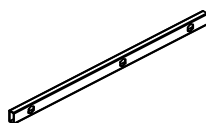
H1*1PC



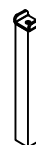
H2*1PC



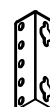
N2*2PCS



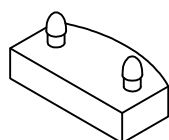
H*2PCS



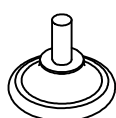
P*4PCS



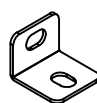
Q*4PCS



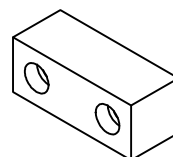
R*24PCS



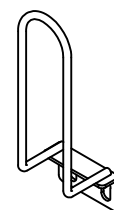
S*2PCS



T*4PCS



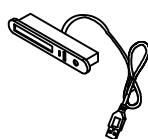
U*5PCS



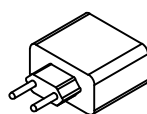
V*2PCS



W*1PC



Y1*2PCS

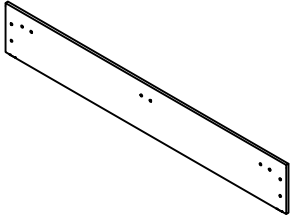
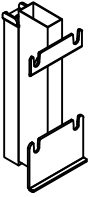
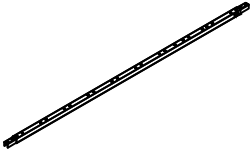
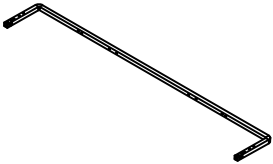
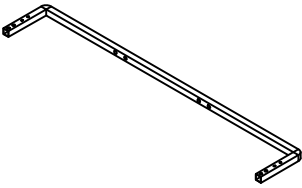
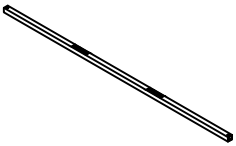
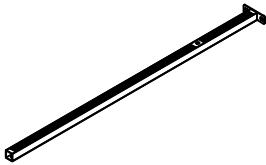
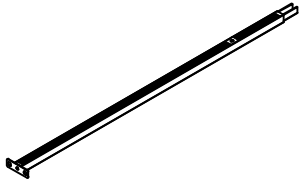
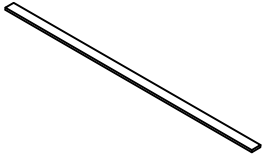


Y2*1PC



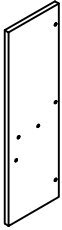
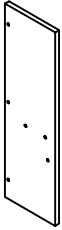
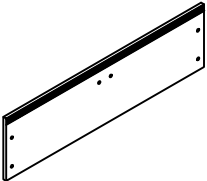
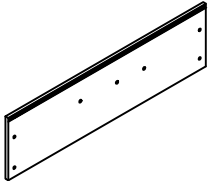
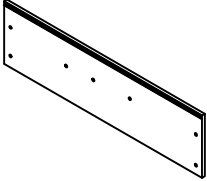


Y3*8PCS

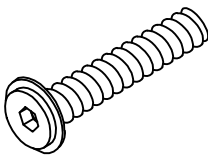
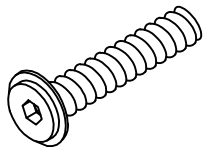
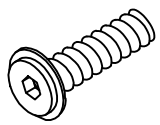
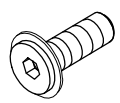
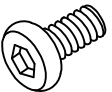
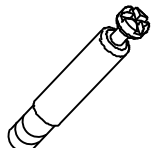
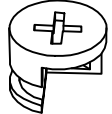
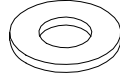
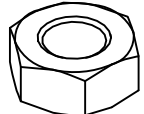
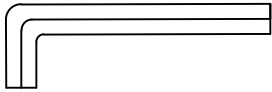
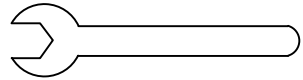
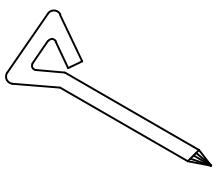
Part list N616P227506

 <p>B*1PC</p>	 <p>L*2PCS</p>	 <p>I*2PCS</p>	 <p>J5*1PC</p>
 <p>J6*1PC</p>	 <p>K3*1PC</p>	 <p>O1*2PCS</p>	 <p>O2*2PCS</p>
 <p>M3*12PCS</p>			

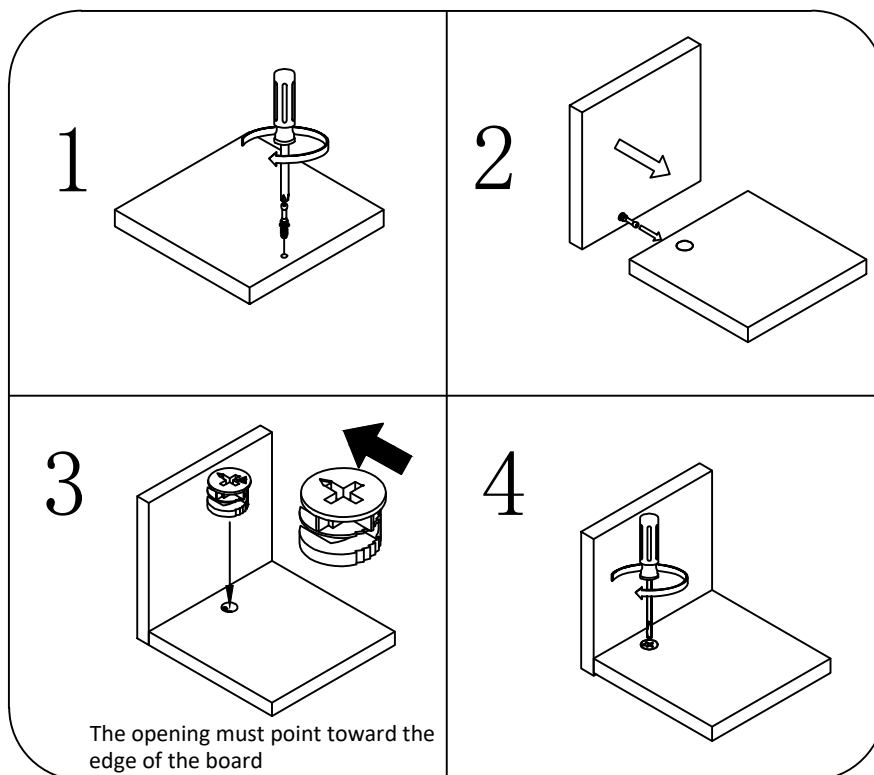
Part list N616P227507

 <p>E1*1PC</p>	 <p>E2*1PC</p>	 <p>F1*1PC</p>	 <p>F2*1PC</p>
 <p>C*2PCS</p>	 <p>D1*1PC</p>	 <p>D2*1PC</p>	

Part list N616P227505

X1	10PCS	X2	26PCS	X3	14PCS	X4	48PCS
							
M8*45mm		M8*40mm		M8*30mm		M8*18mm	
X5	4PCS	X6	16PCS	X7	16PCS	X8	10PCS
							
M8*12mm		M6*35mm				$\phi 22 * \phi 8.5$	
X9	10PCS	Z1	1PC	Z2	1PC	Z3	1PC
							
M8		M8		M8		M8	

Cam LOCK Fastening System



GB

Insert the cam bolt into the hole first, then insert the cam lock and lock it.

DE

Führen Sie zuerst den Nockenbolzen in das Loch ein, setzen Sie dann das Nockenschloss ein und verriegeln Sie es.

FR

Insérer d'abord le boulon de la came dans le trou, puis insérer le verrou de la came et le verrouiller.

ES

Inserte primero el perno de leva en el orificio y, a continuación, inserte el cierre de leva y bloquéelo.

IT

Inserire prima il bullone della camma nel foro, quindi inserire il blocco della camma e bloccarlo.

1

X3*4

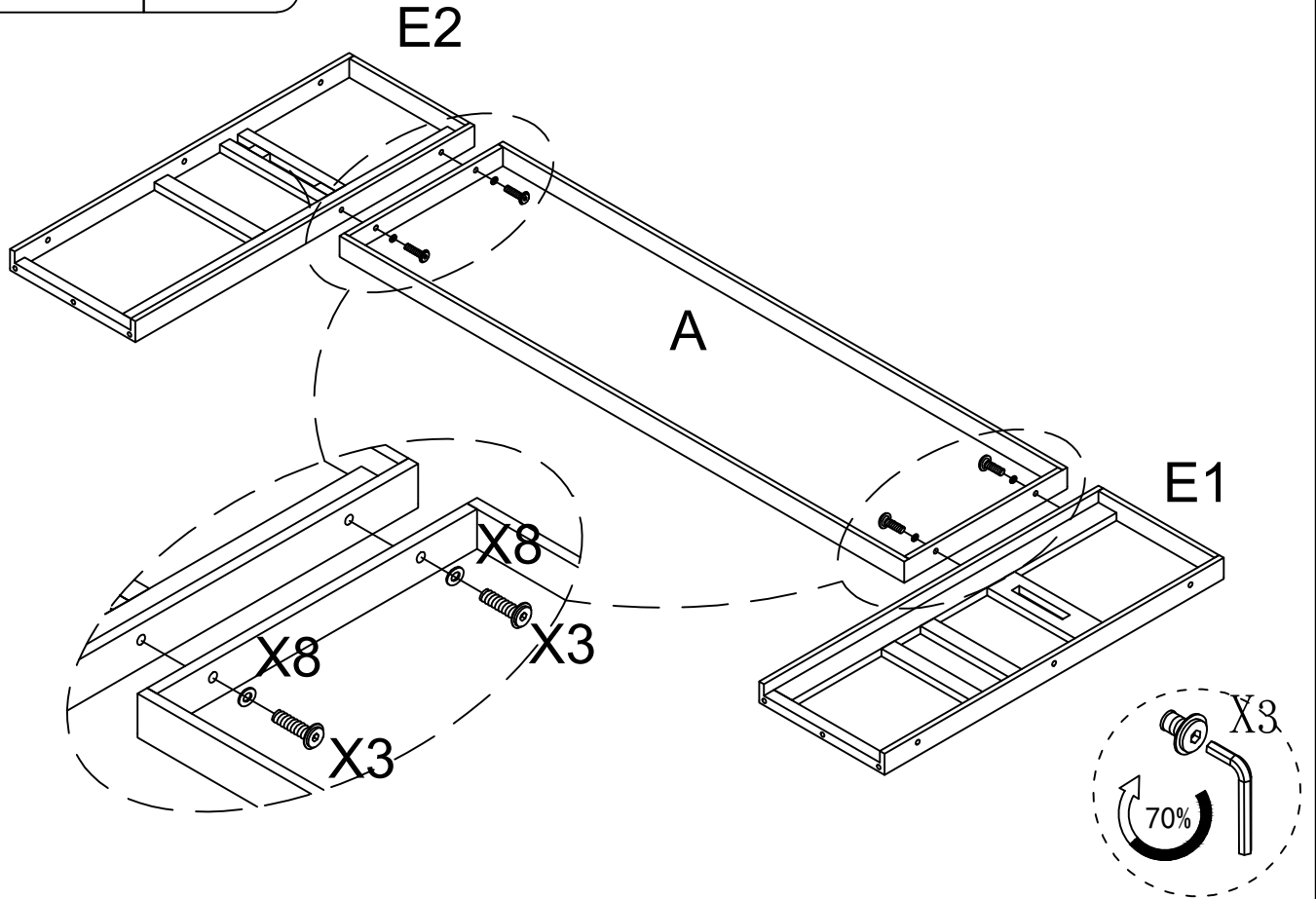


M8*30MM

X8*4



φ22*φ8.5



2

X2*6

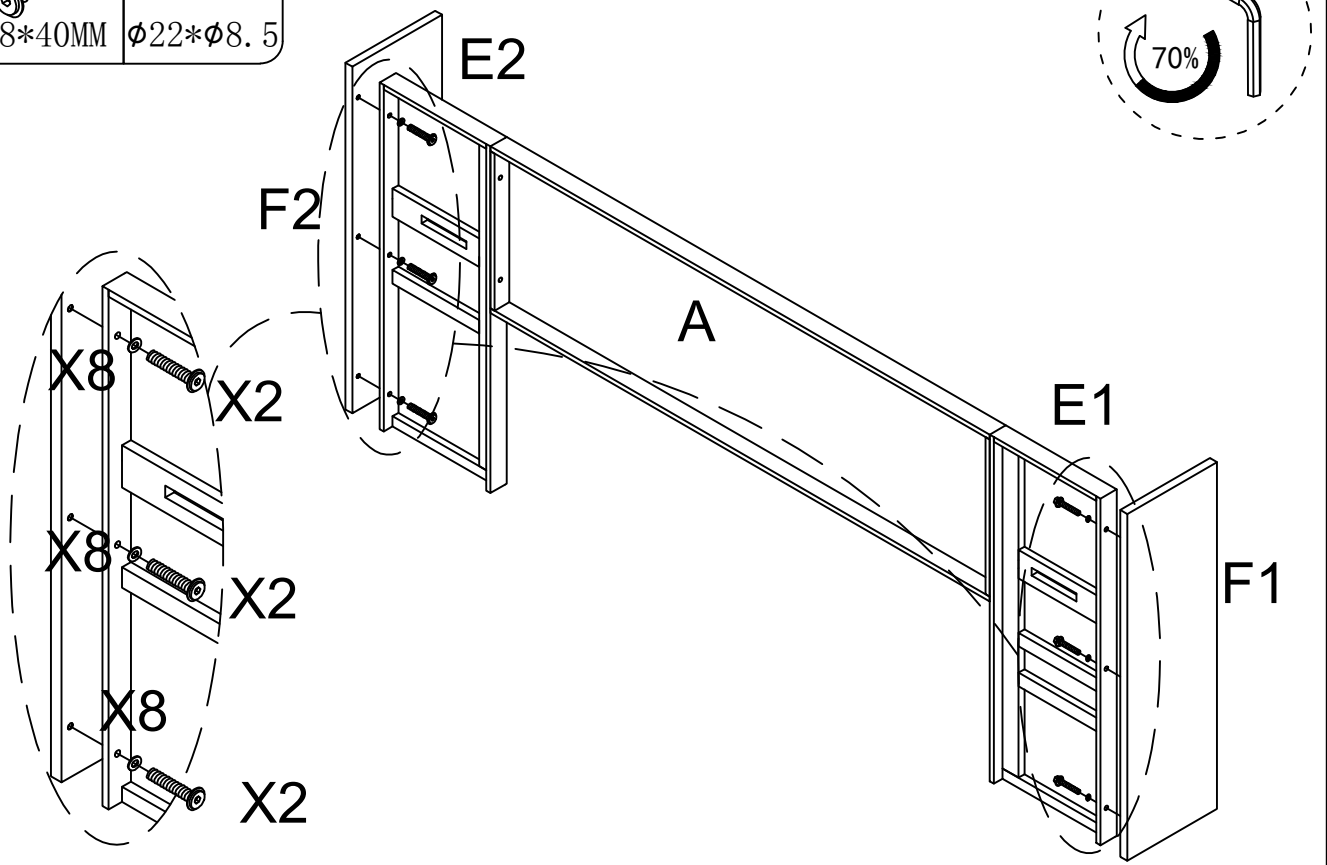


M8*40MM

X8*6



φ22*φ8.5

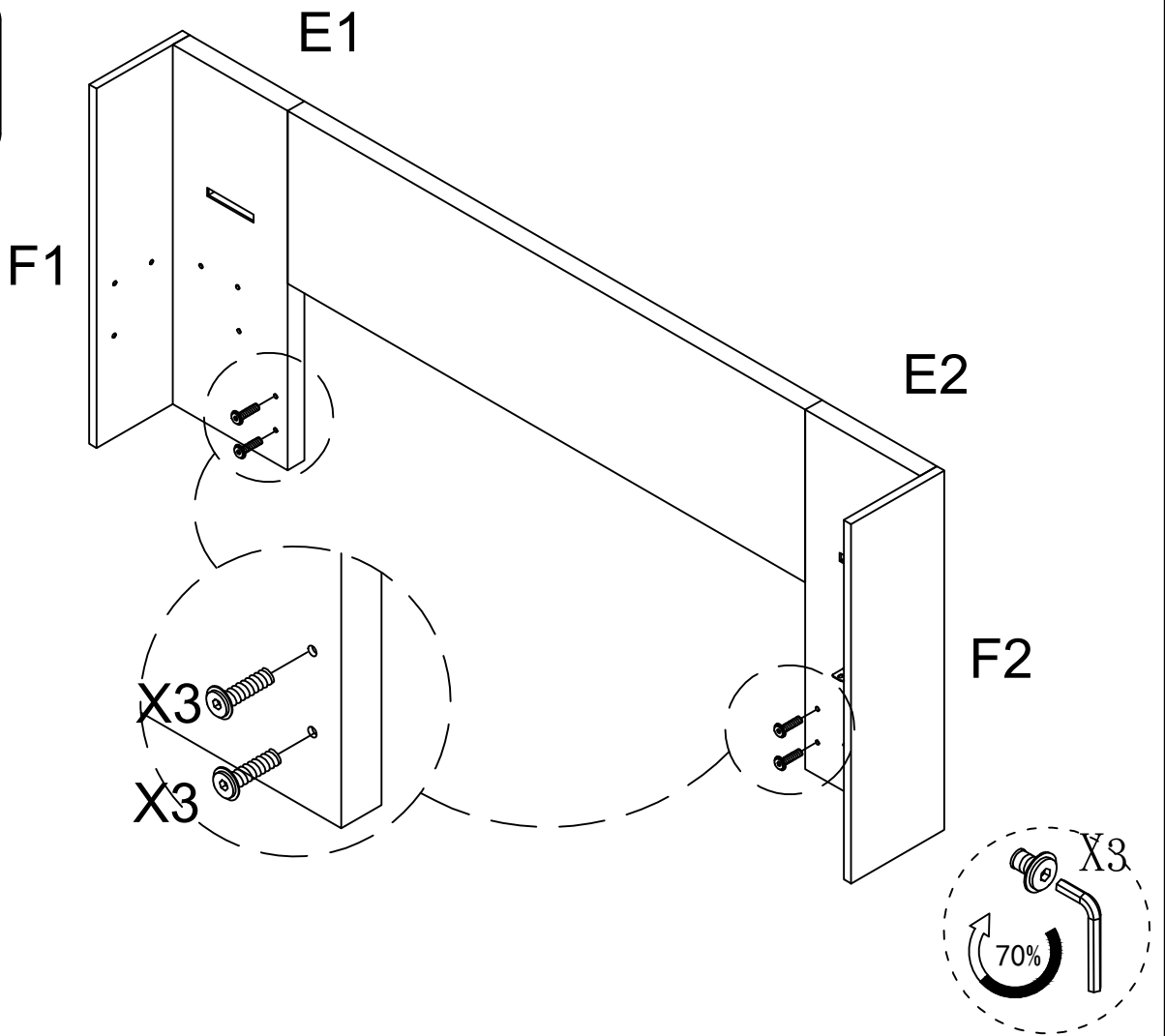


3

X3*4



M8*30MM

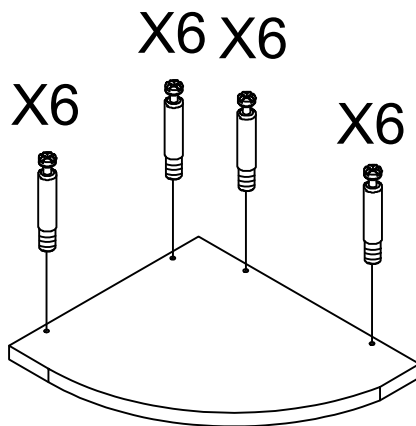


4

X6*16

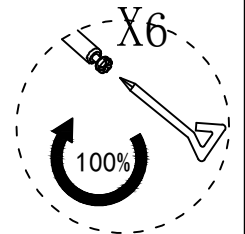
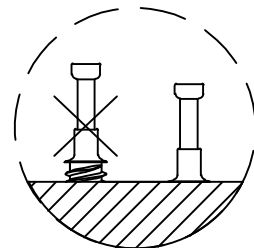


M6*35mm



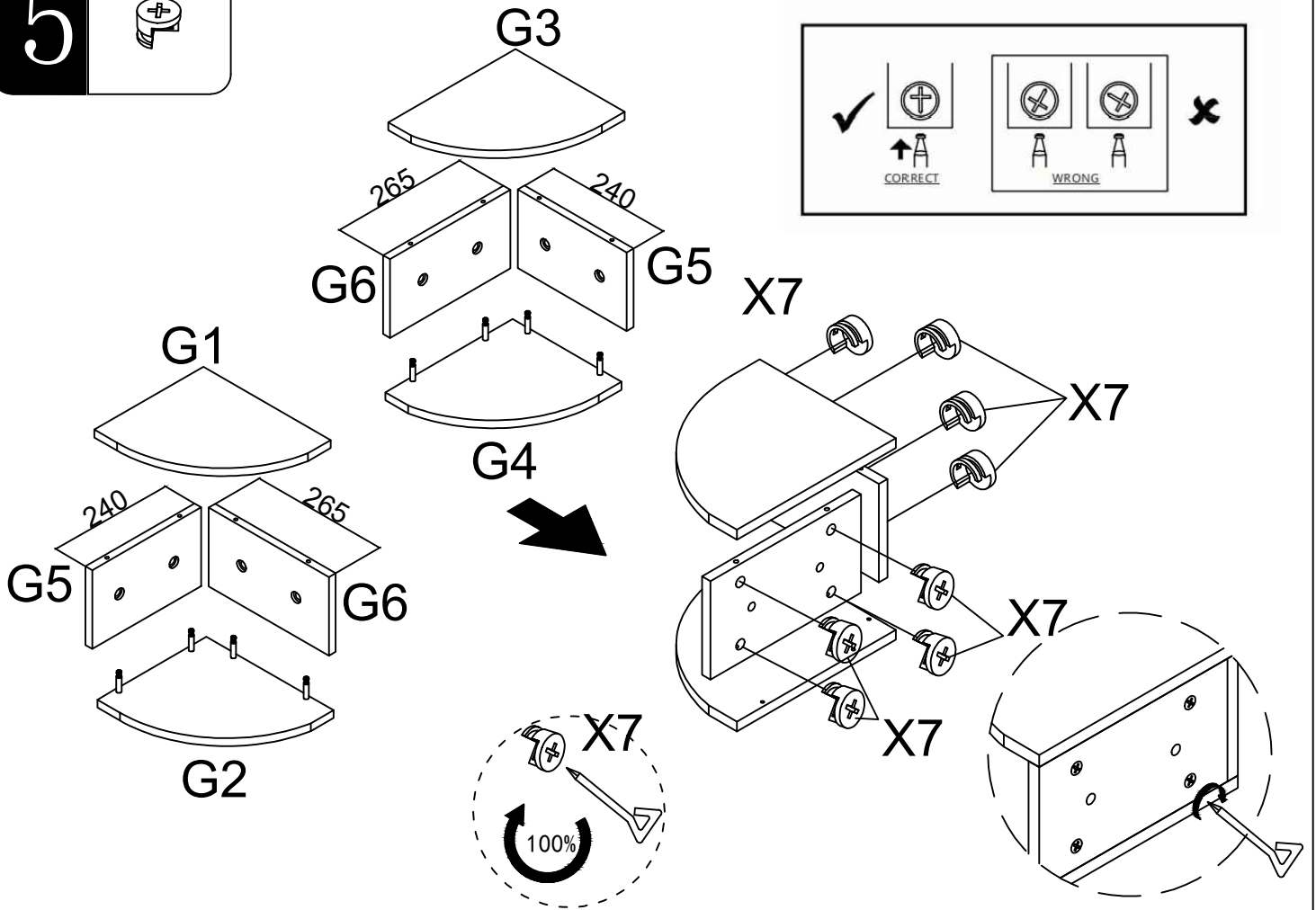
G1/G2/G3/G4

X4



5

X7*16

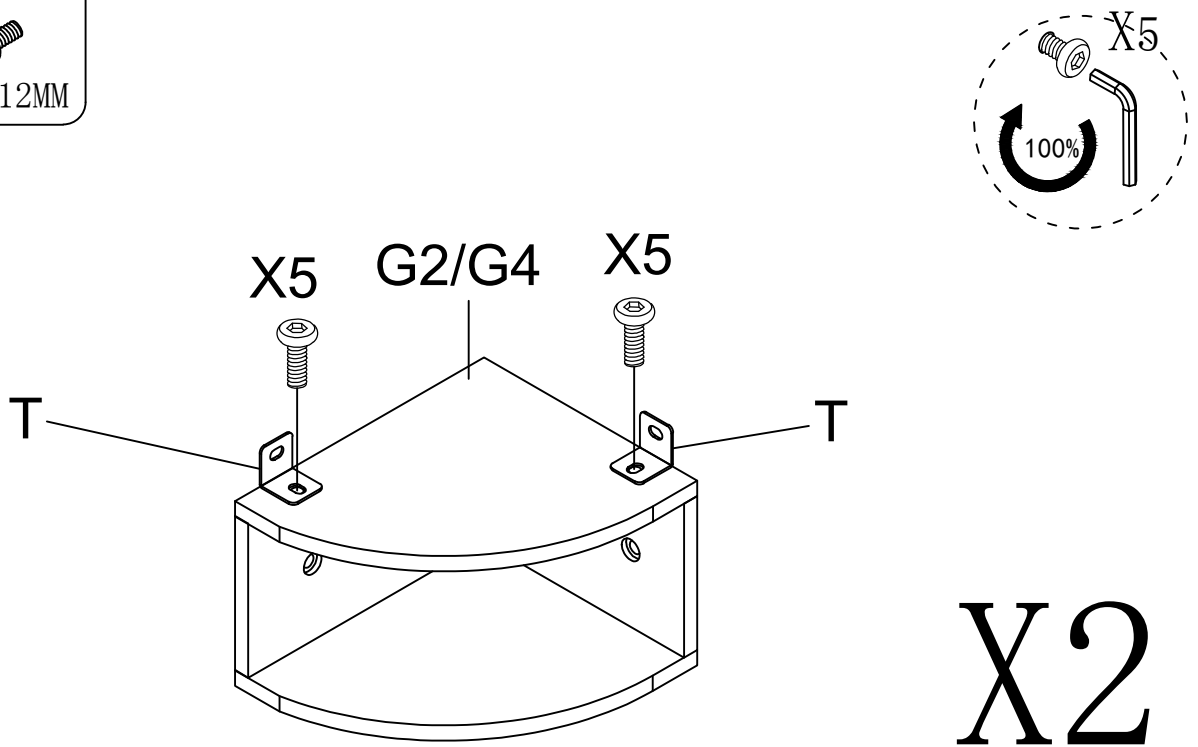


6

X5*4

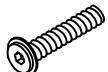


M8*12MM

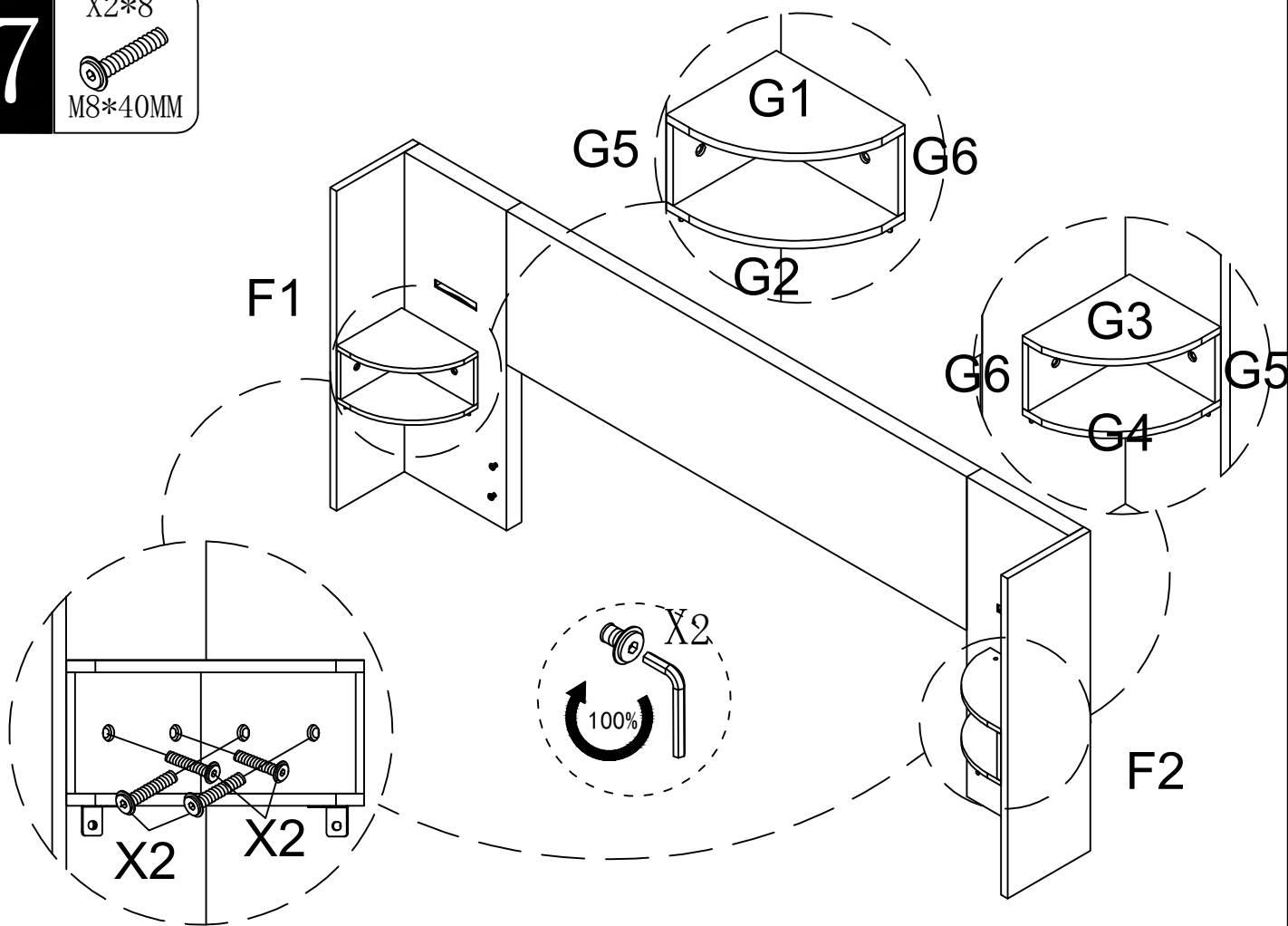


7

X2*8



M8*40MM

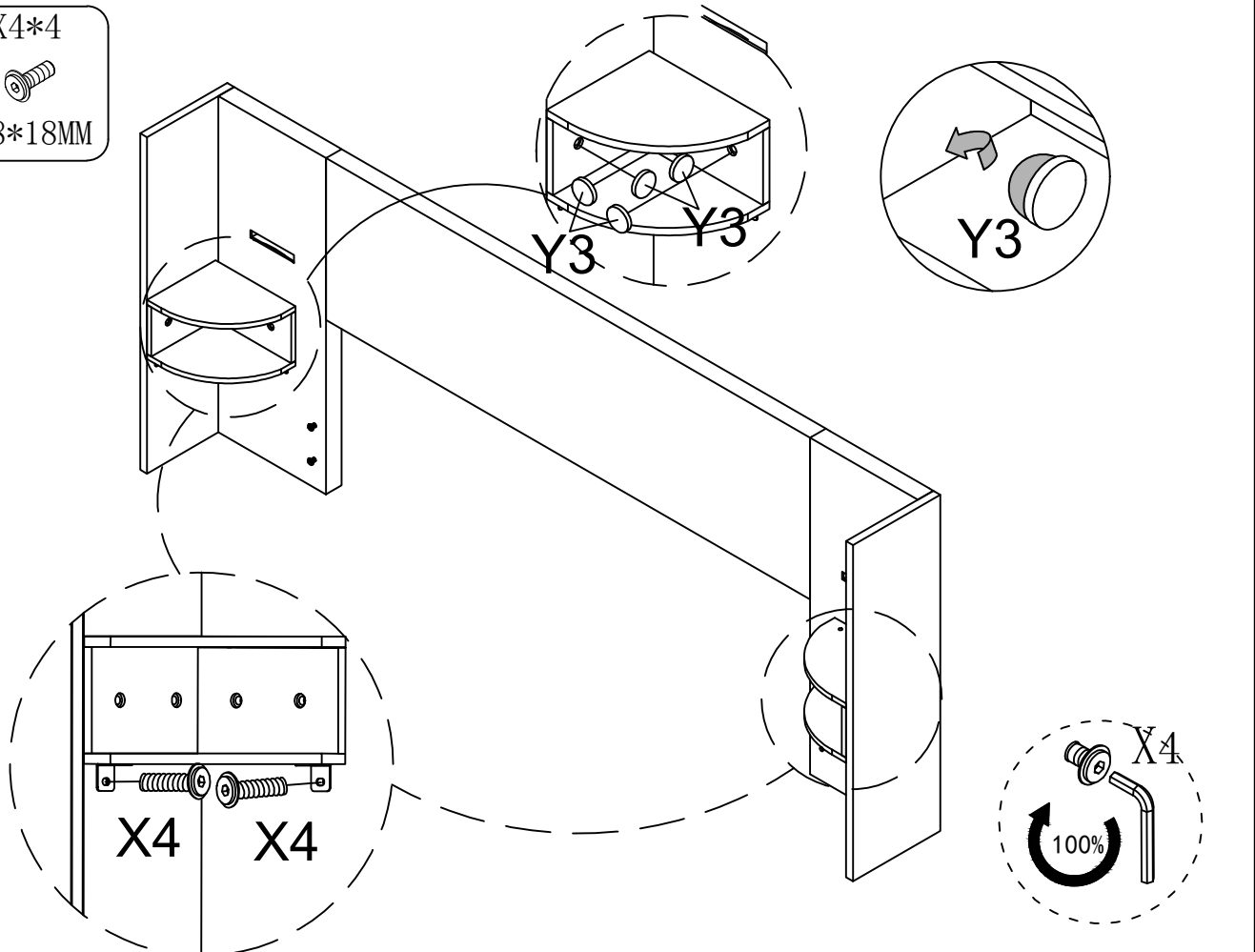


8

X4*4



M8*18MM



9

X1*4



M8*45MM

X3*6

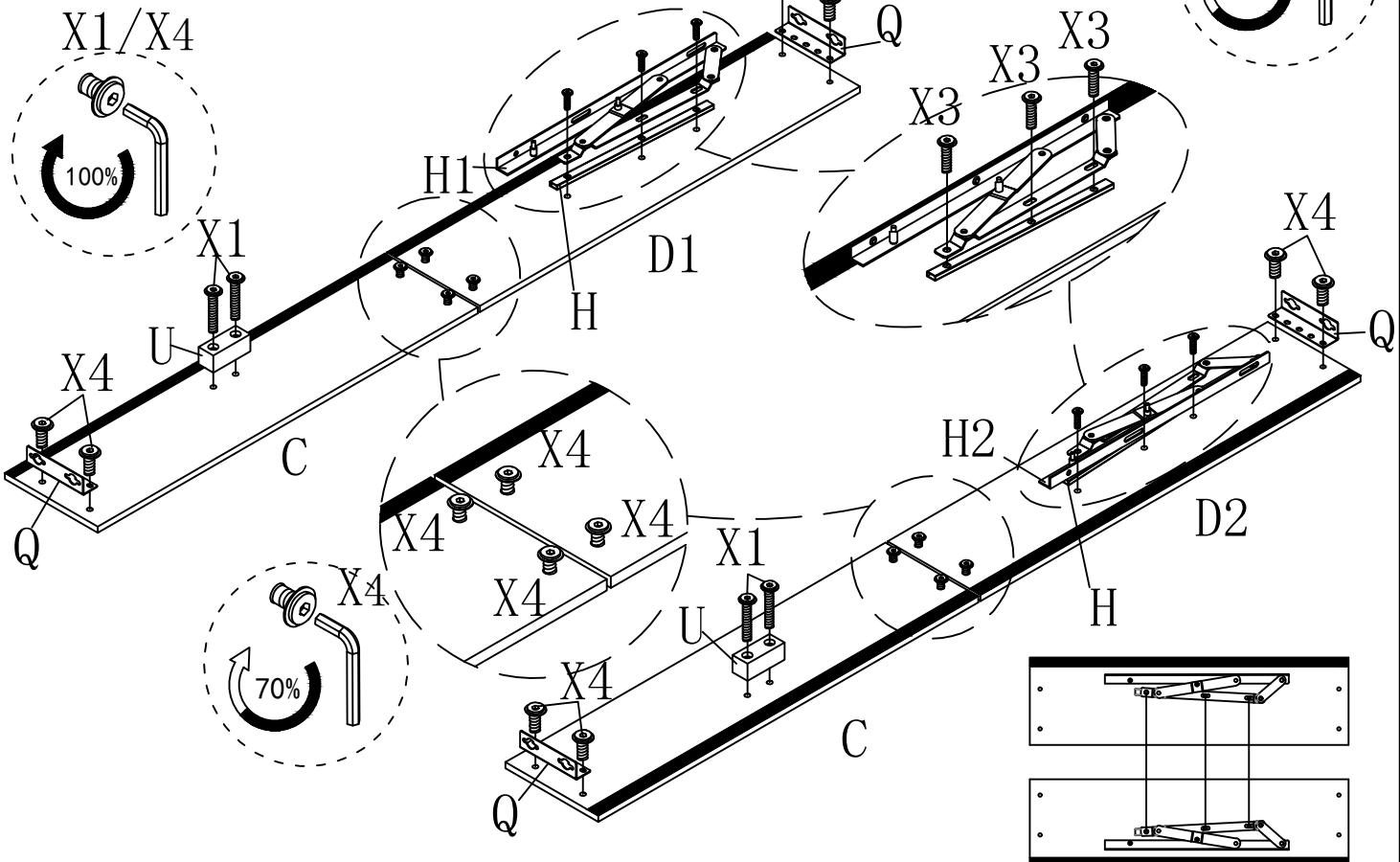
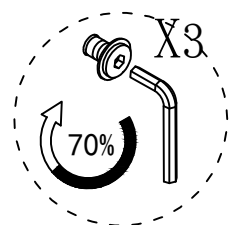


M8*30MM

X4*16



M8*18MM



10

X1*6

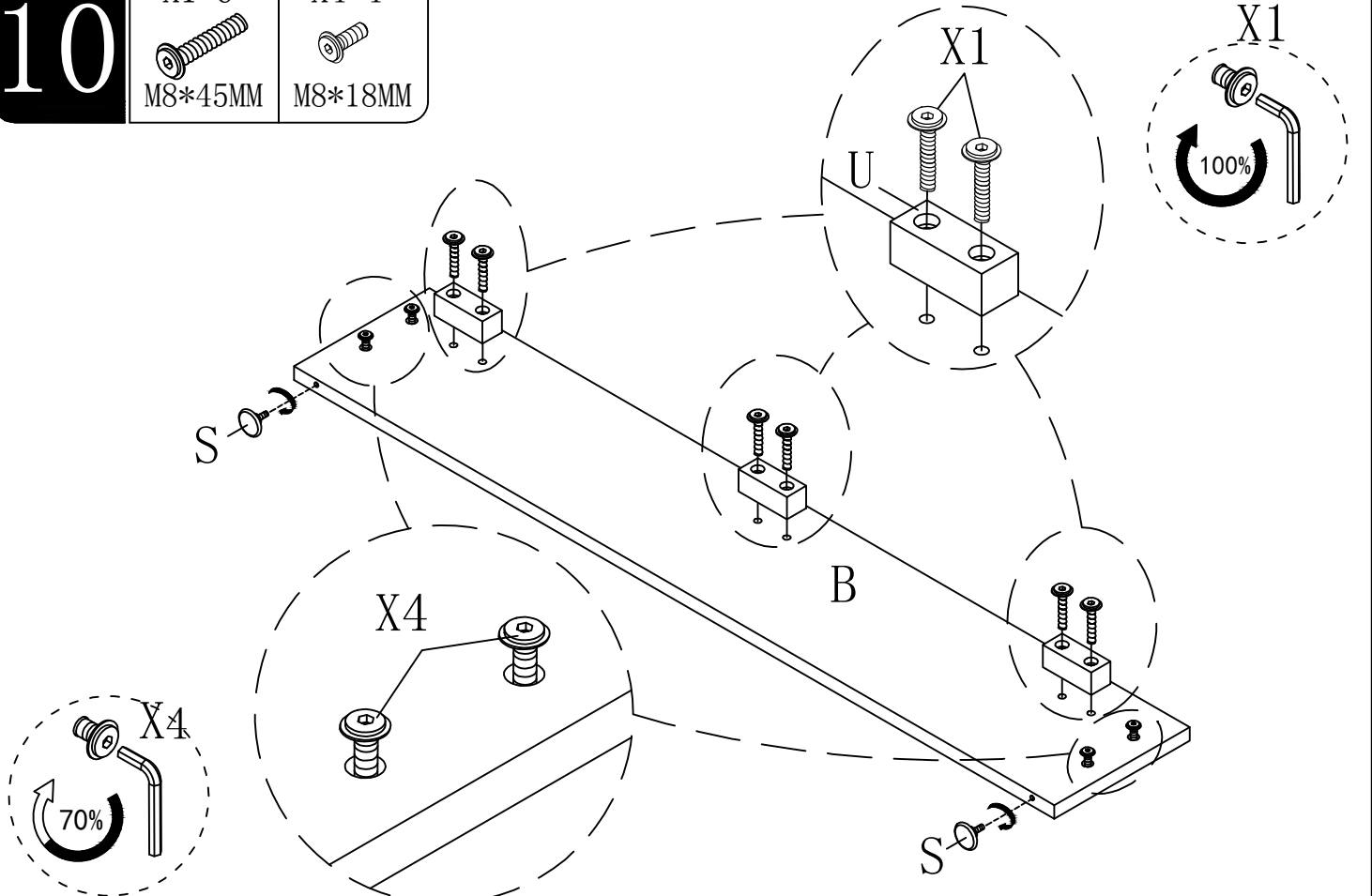


M8*45MM

X4*4

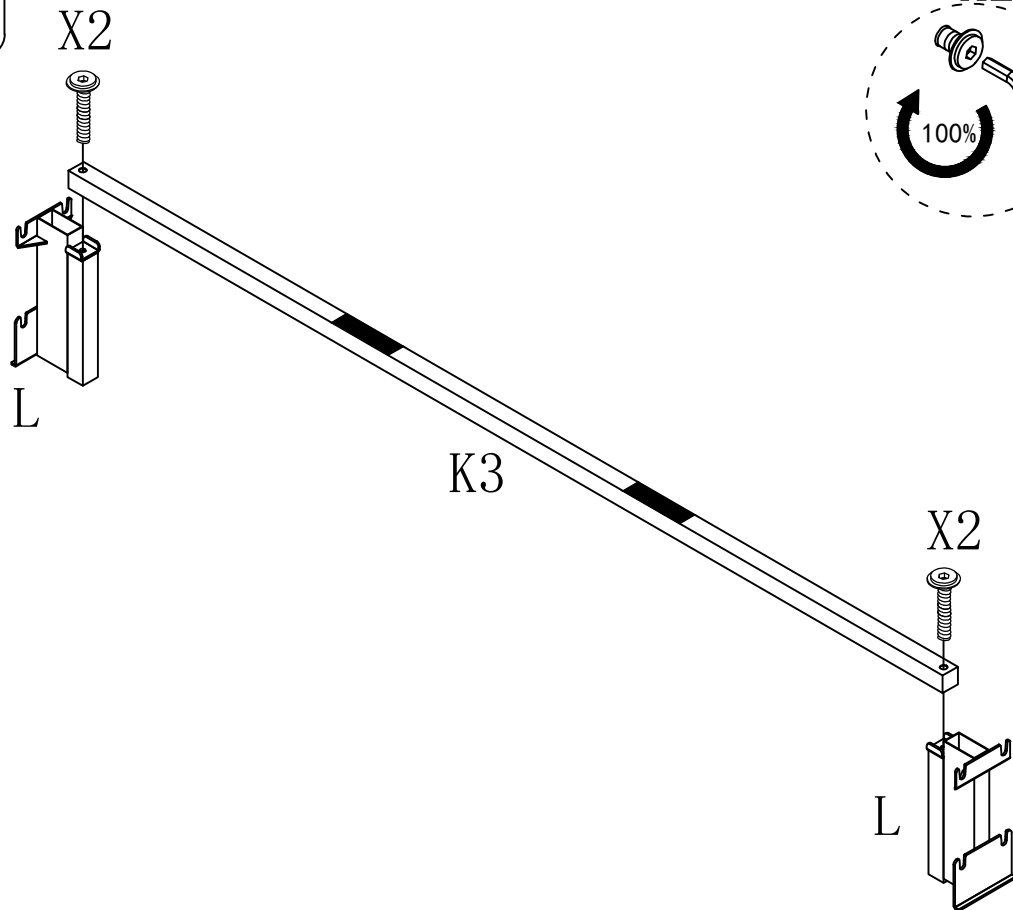


M8*18MM

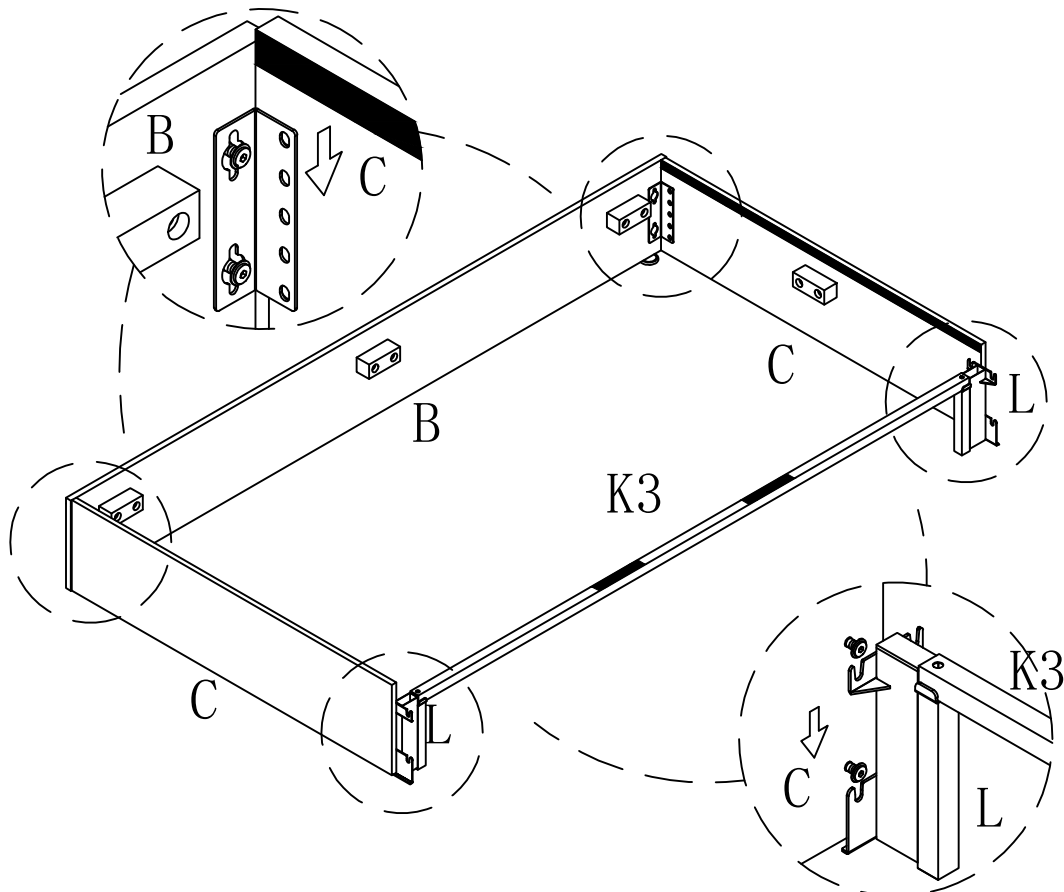


11

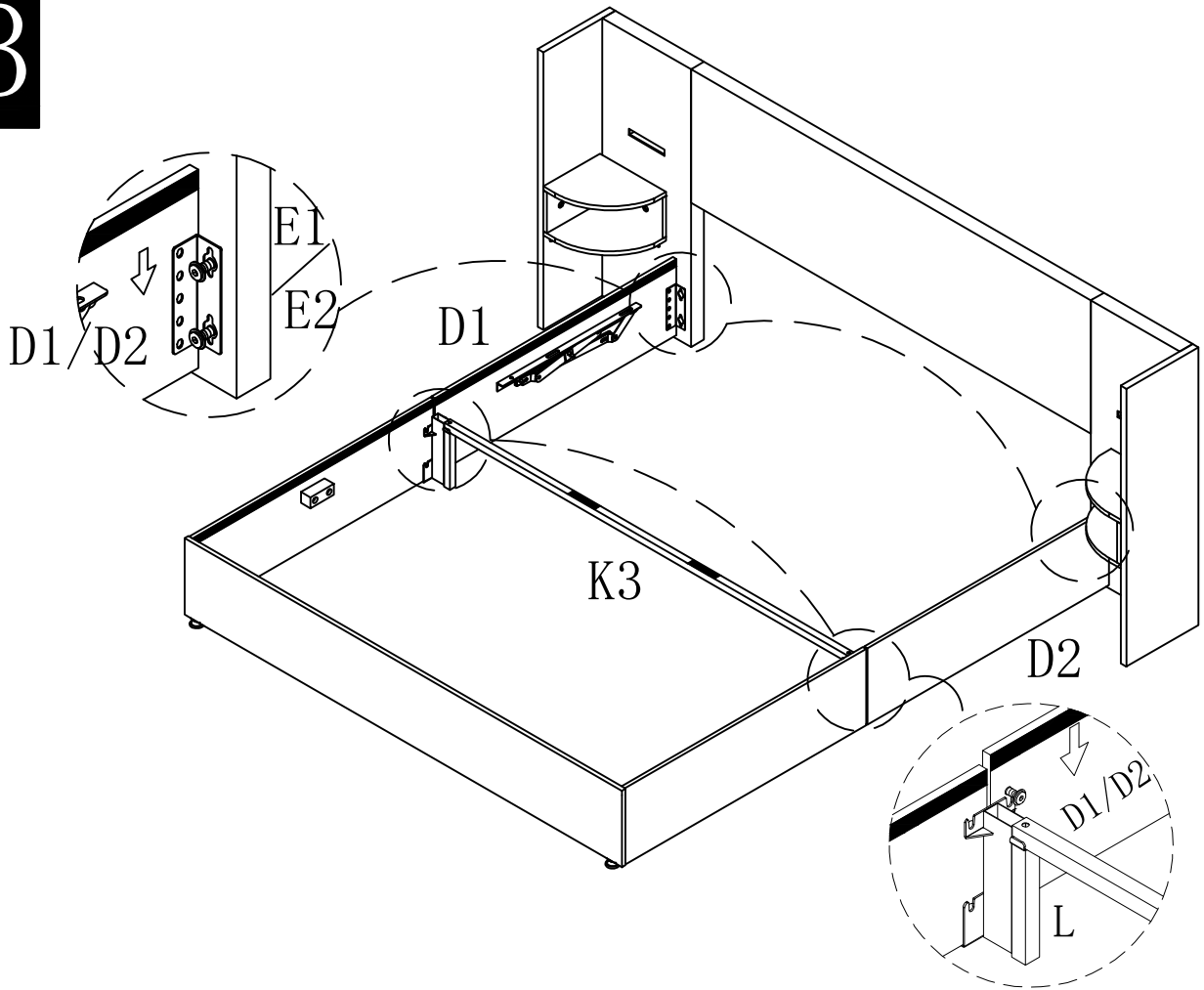
X2*2
M8*40mm



12

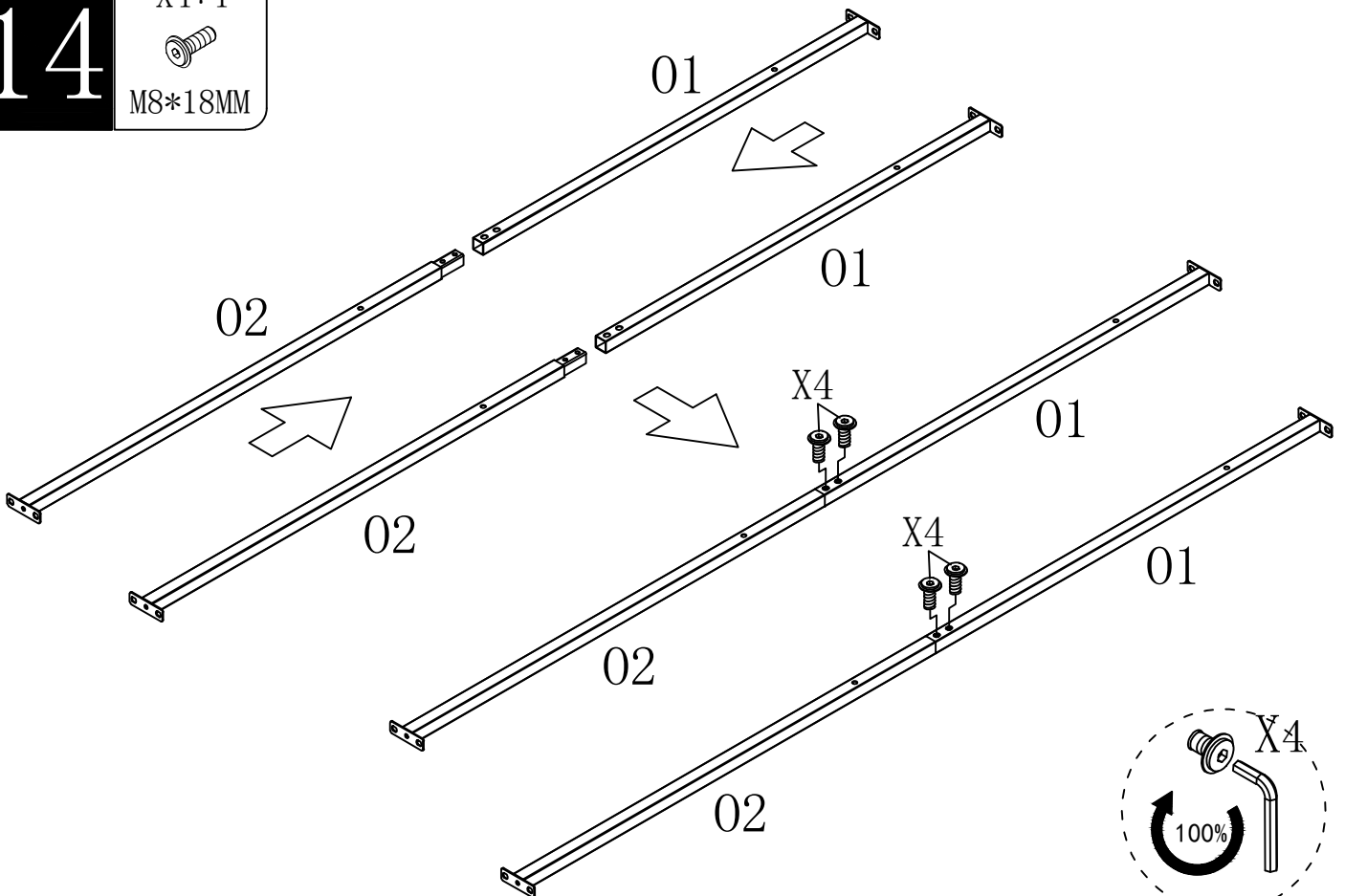


13

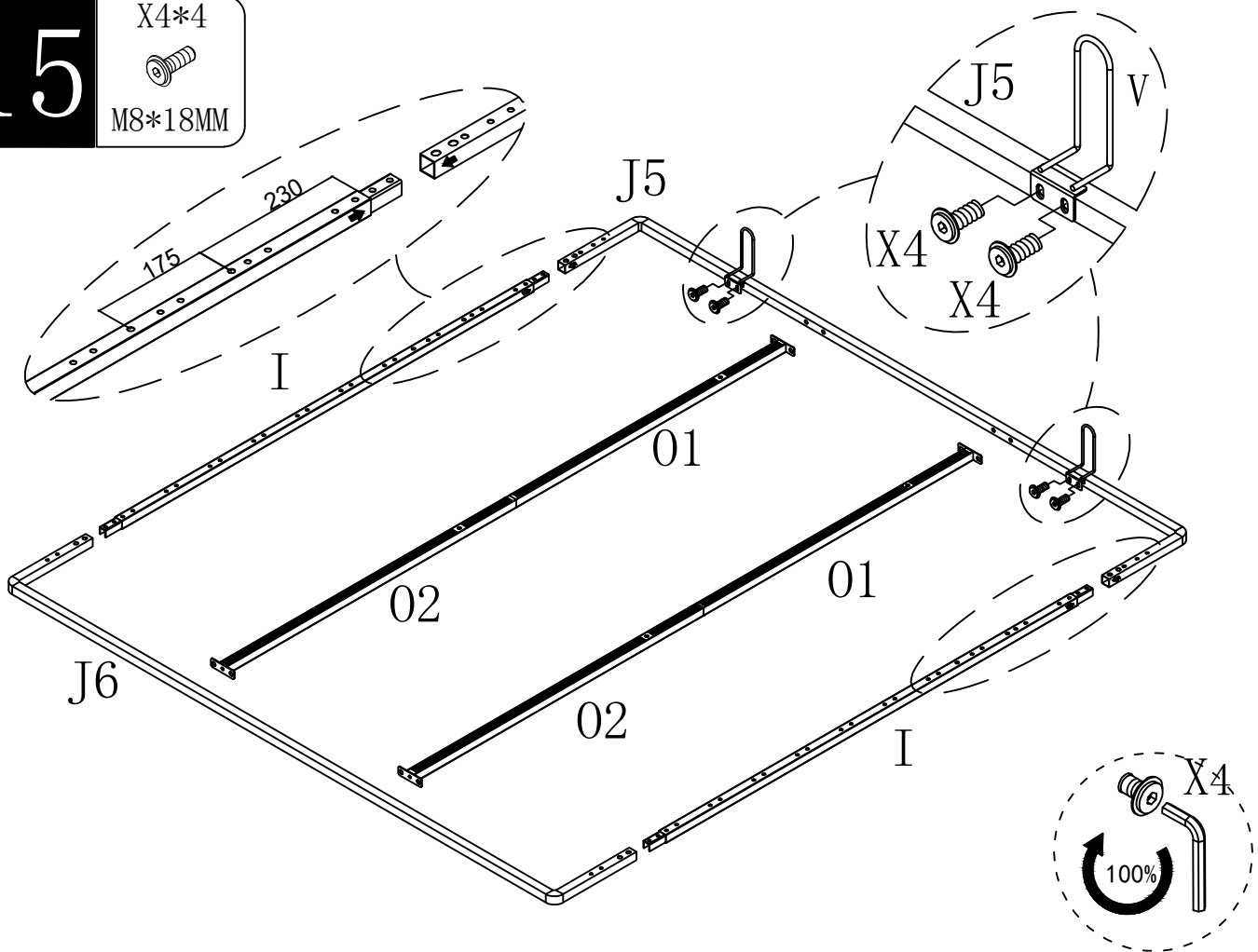


14

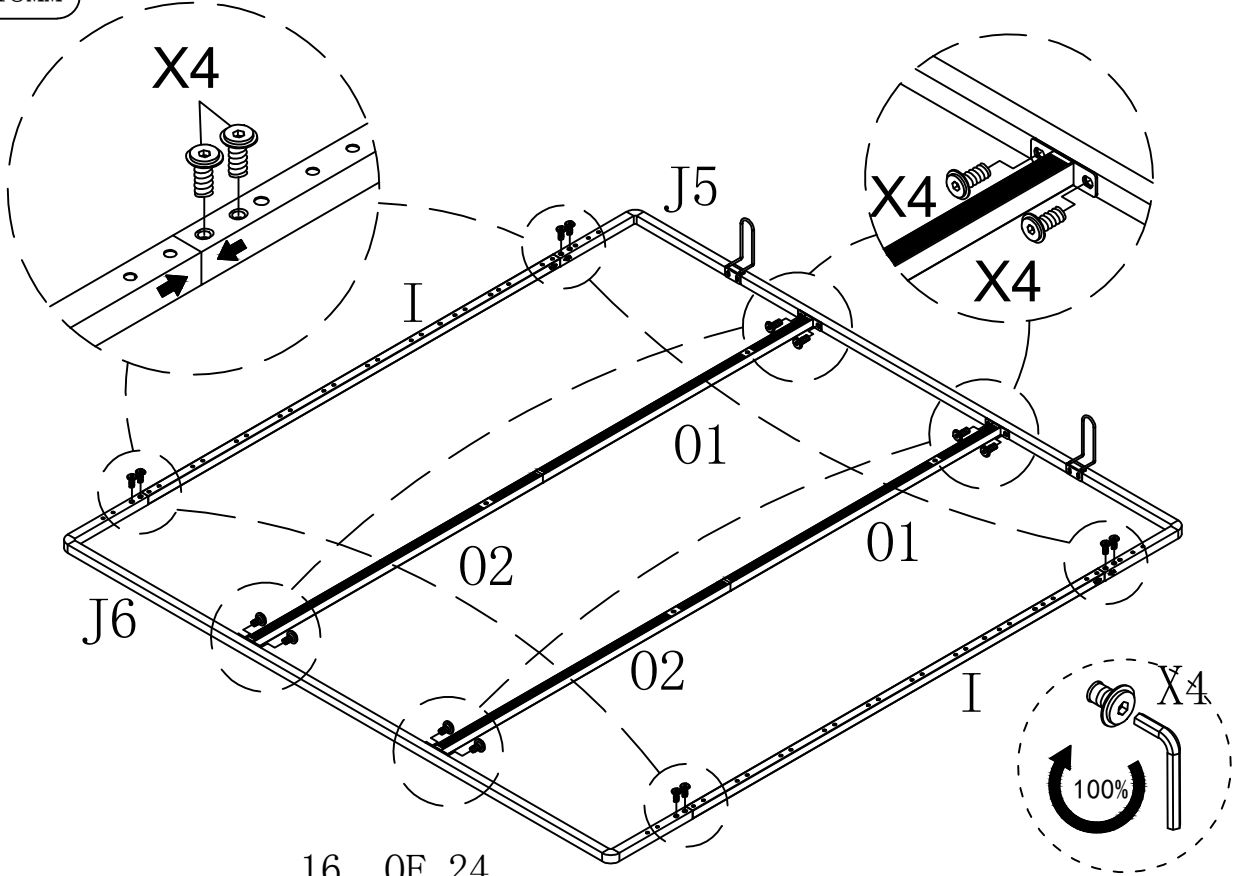
X4*4
M8*18MM



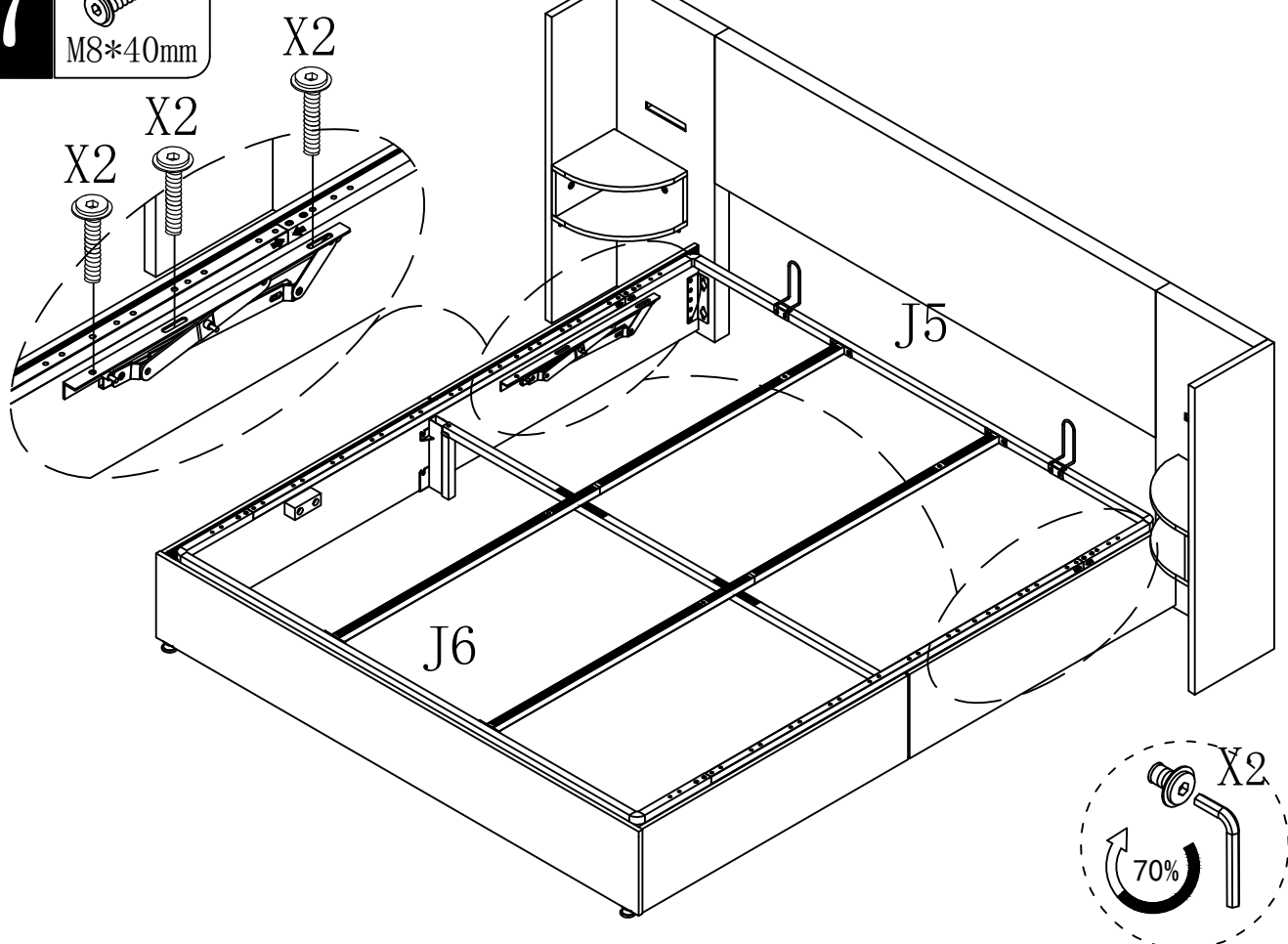
15 X4*4
M8*18MM



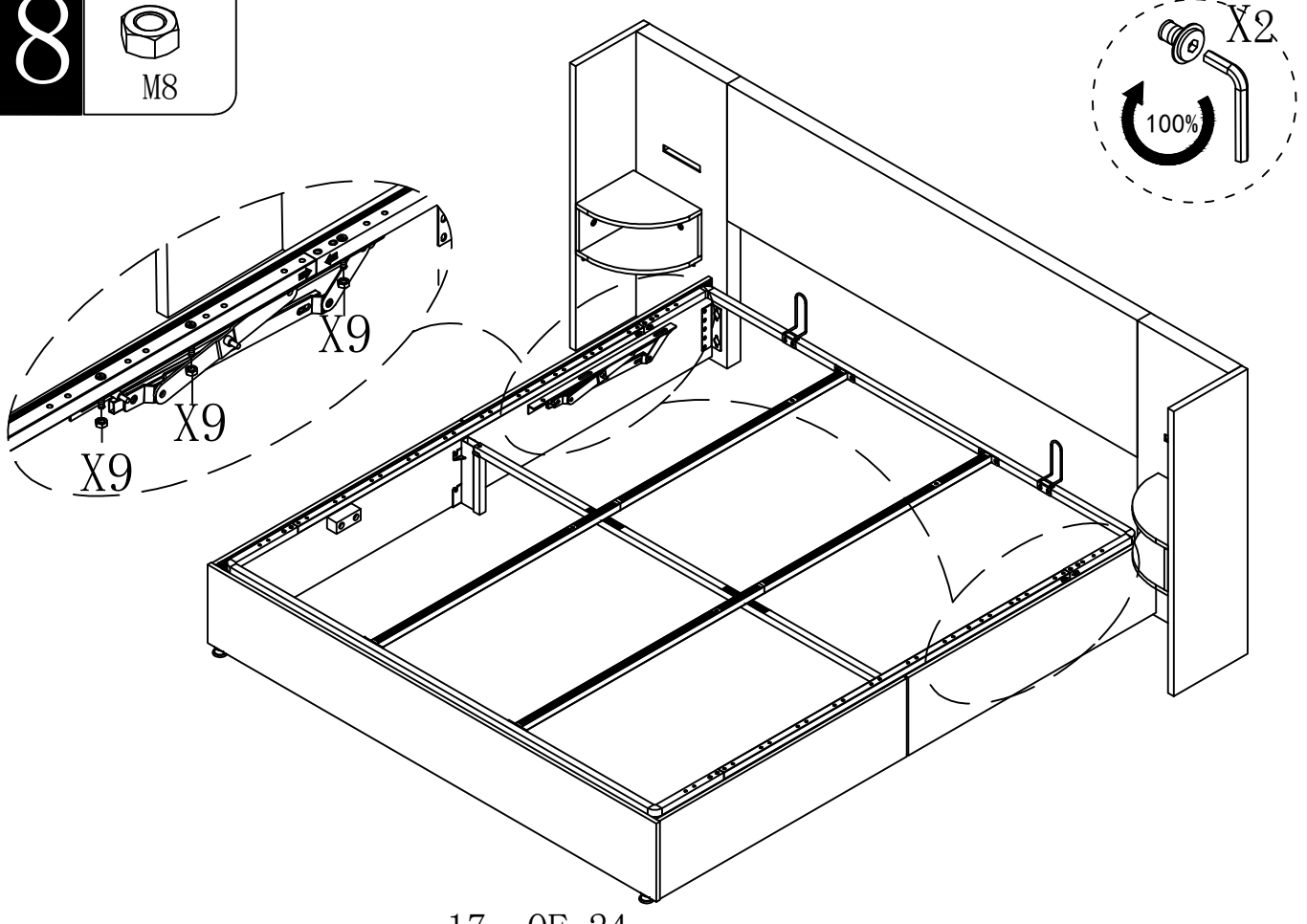
16 X4*16
M8*18MM



17 X2*6
M8*40mm

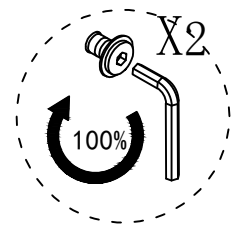
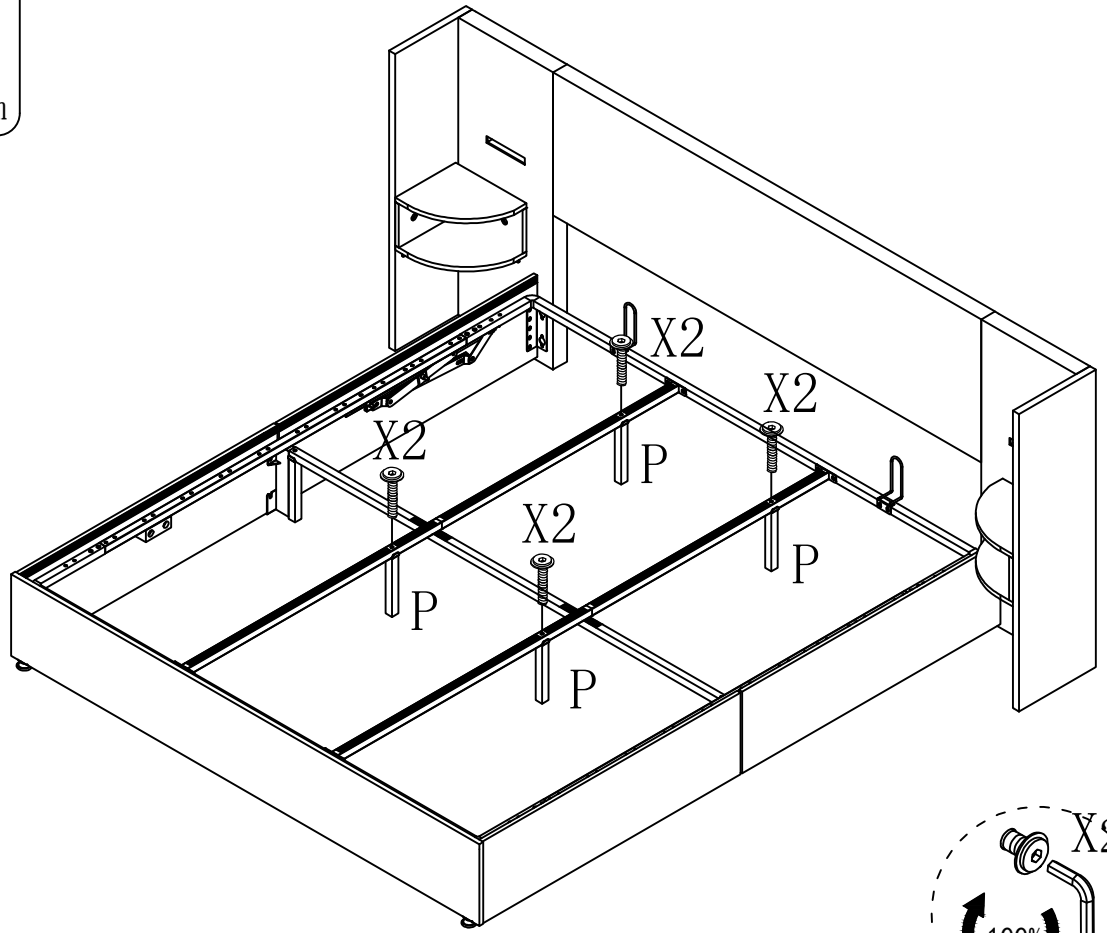


18 X9*6
M8

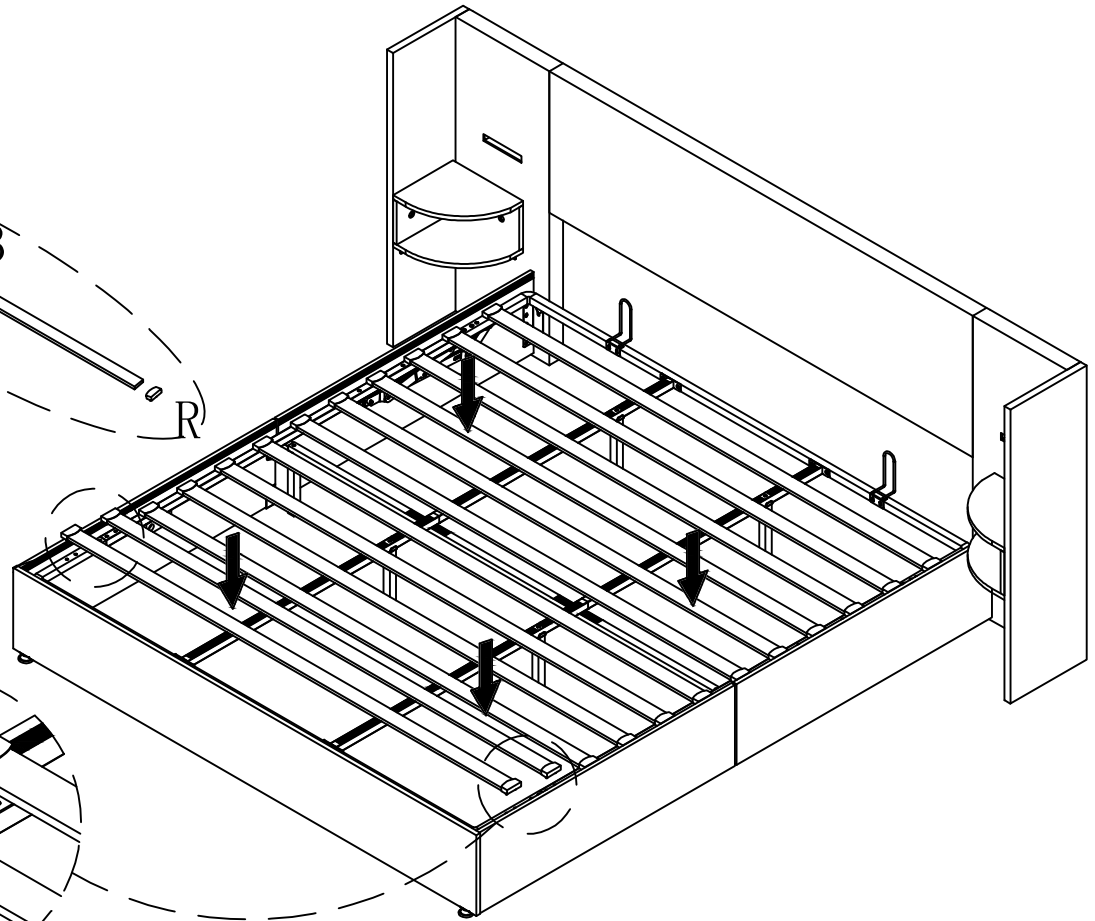
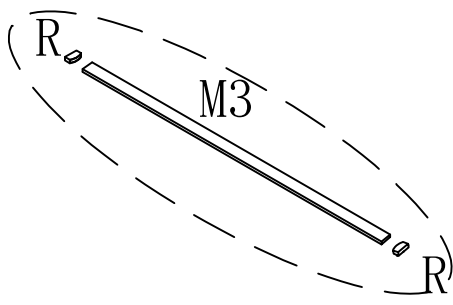


19

X2*4
M8*40mm



20

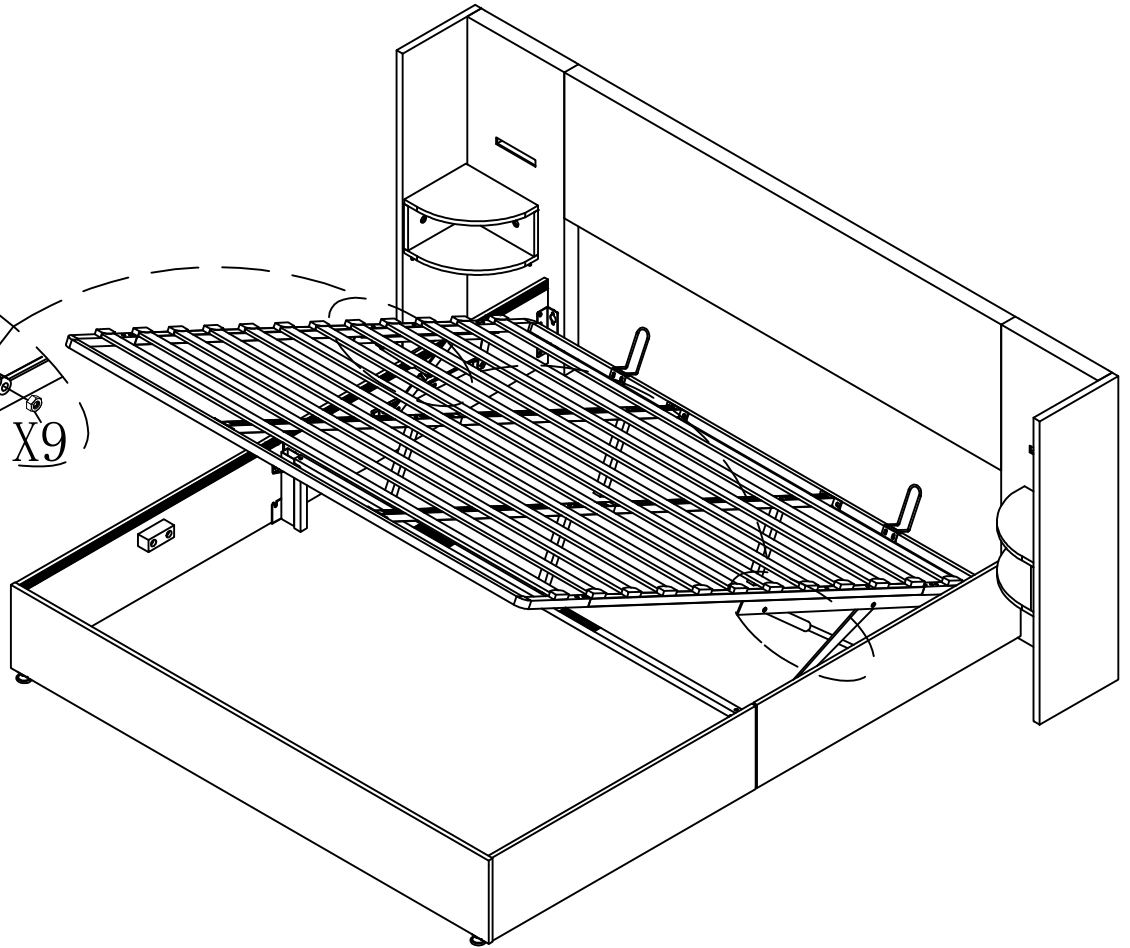
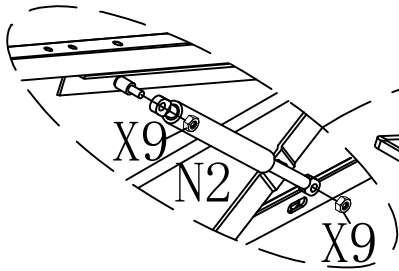


21

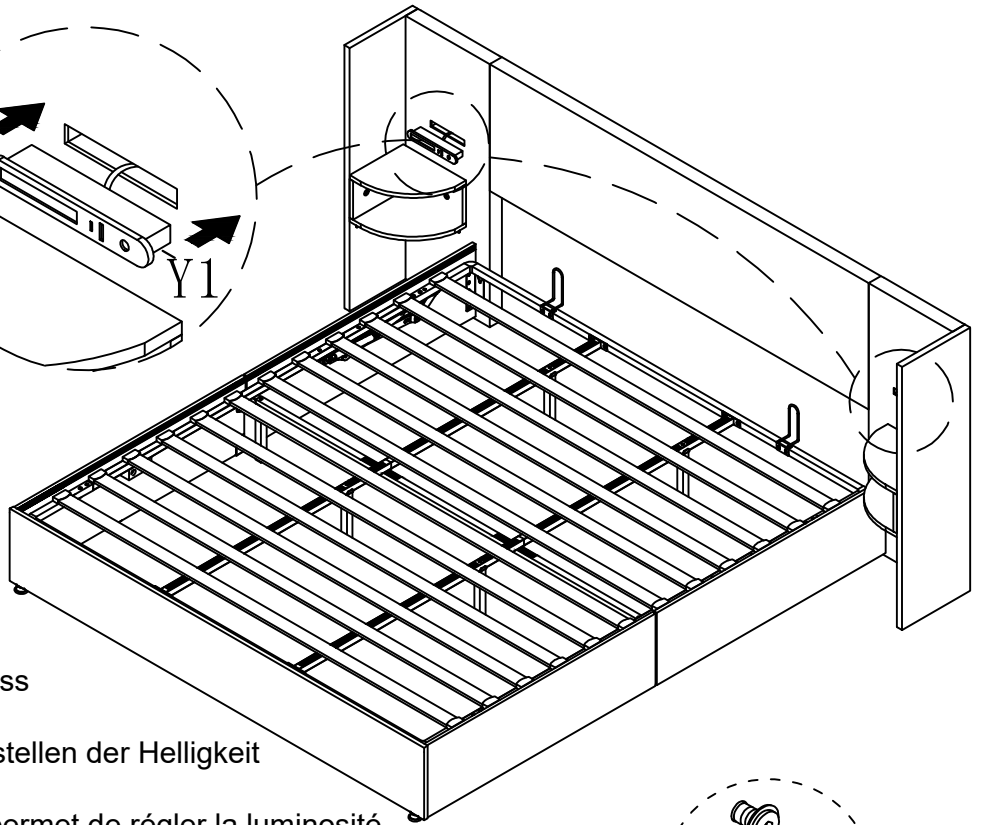
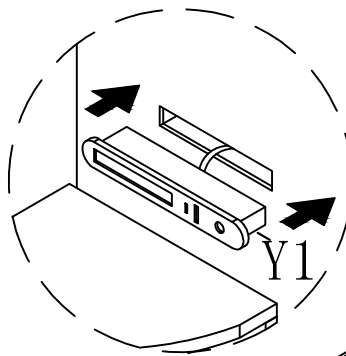
X9*4



M8



22



GB

Long press button to adjust brightness

DE

Langes Drücken der Taste zum Einstellen der Helligkeit

FR

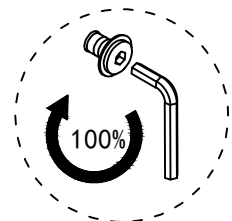
Une pression longue sur le bouton permet de régler la luminosité

ES

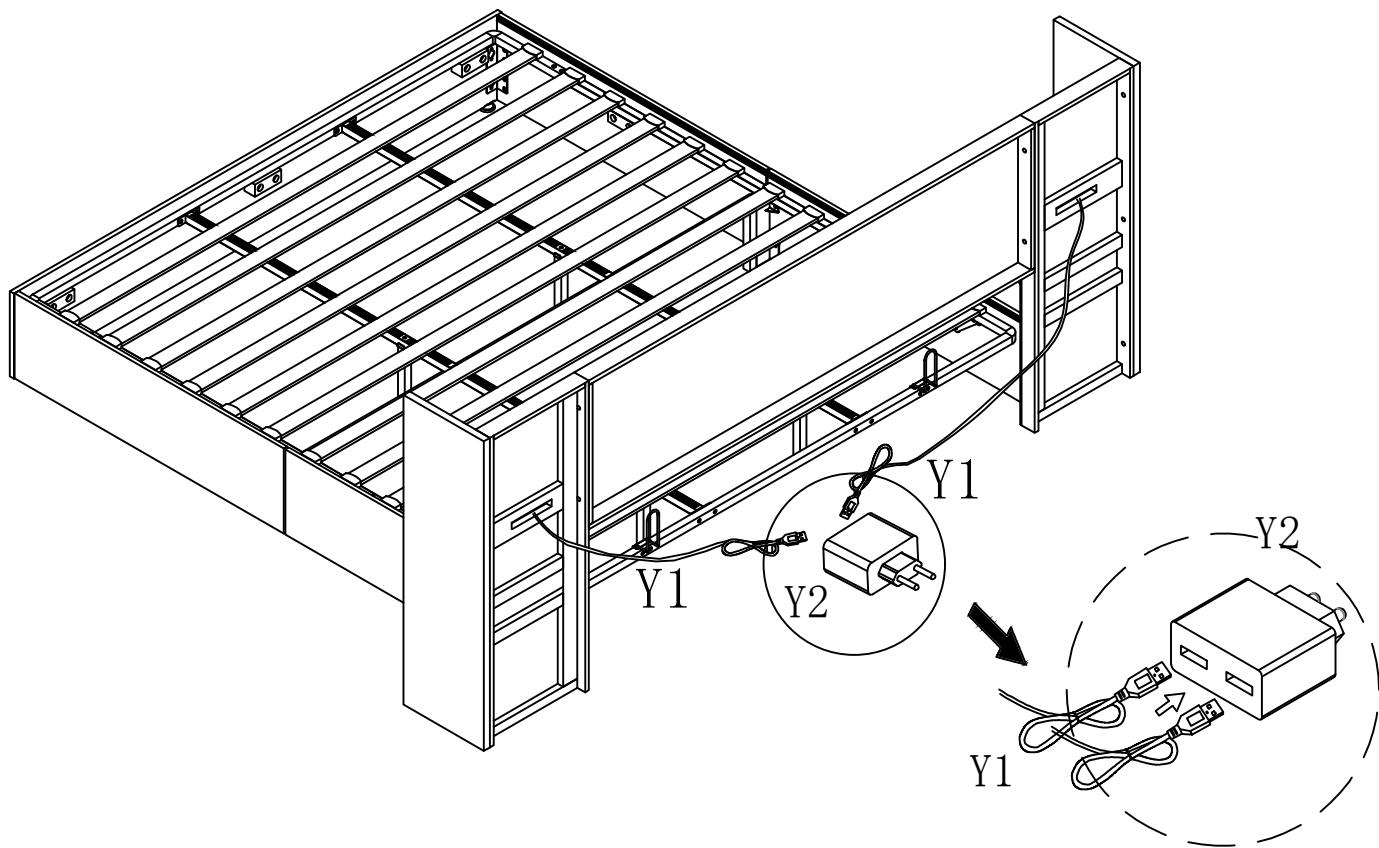
Botón de pulsación larga para ajustar el brillo

IT

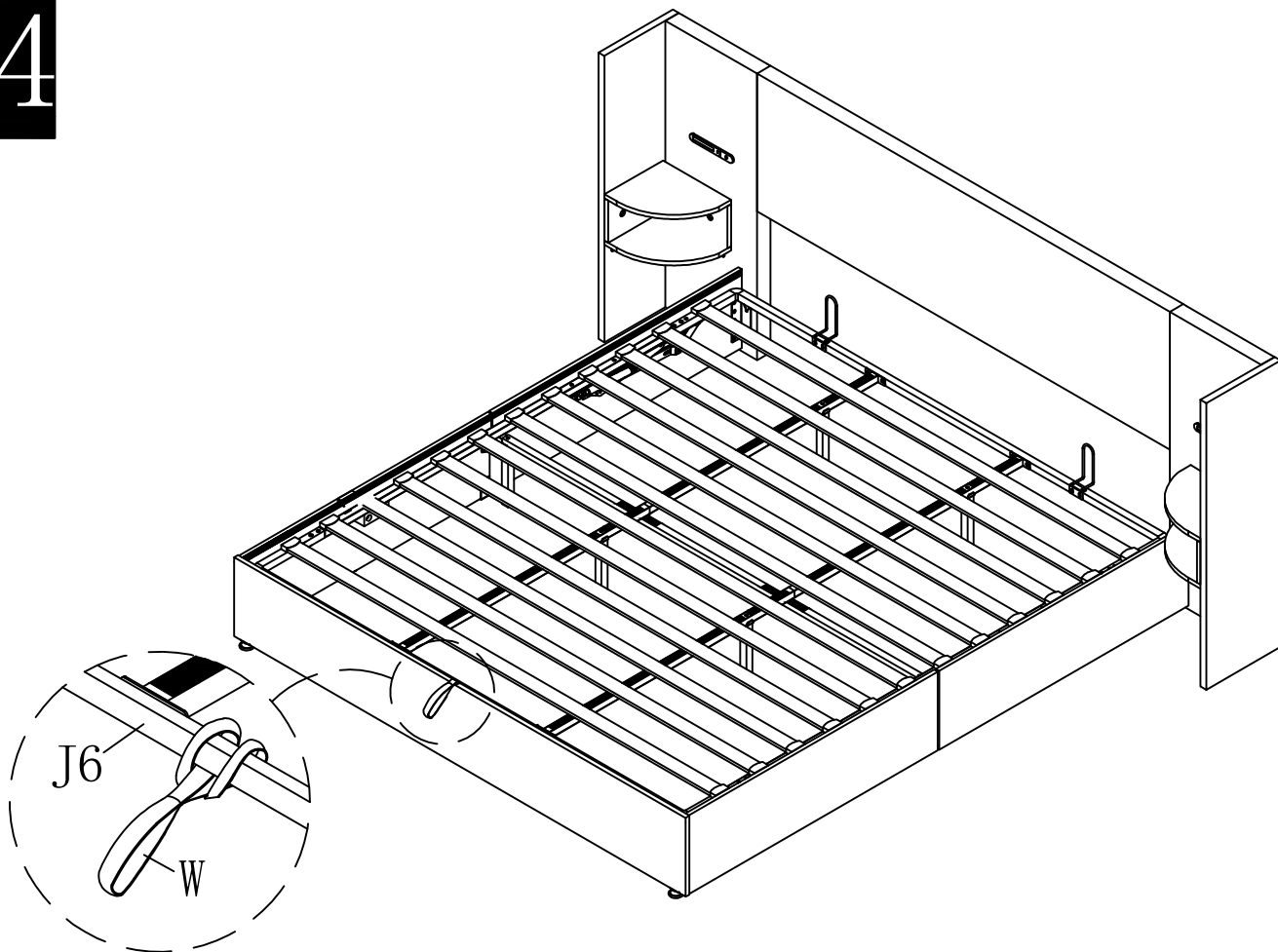
Premere a lungo il pulsante per regolare la luminosità

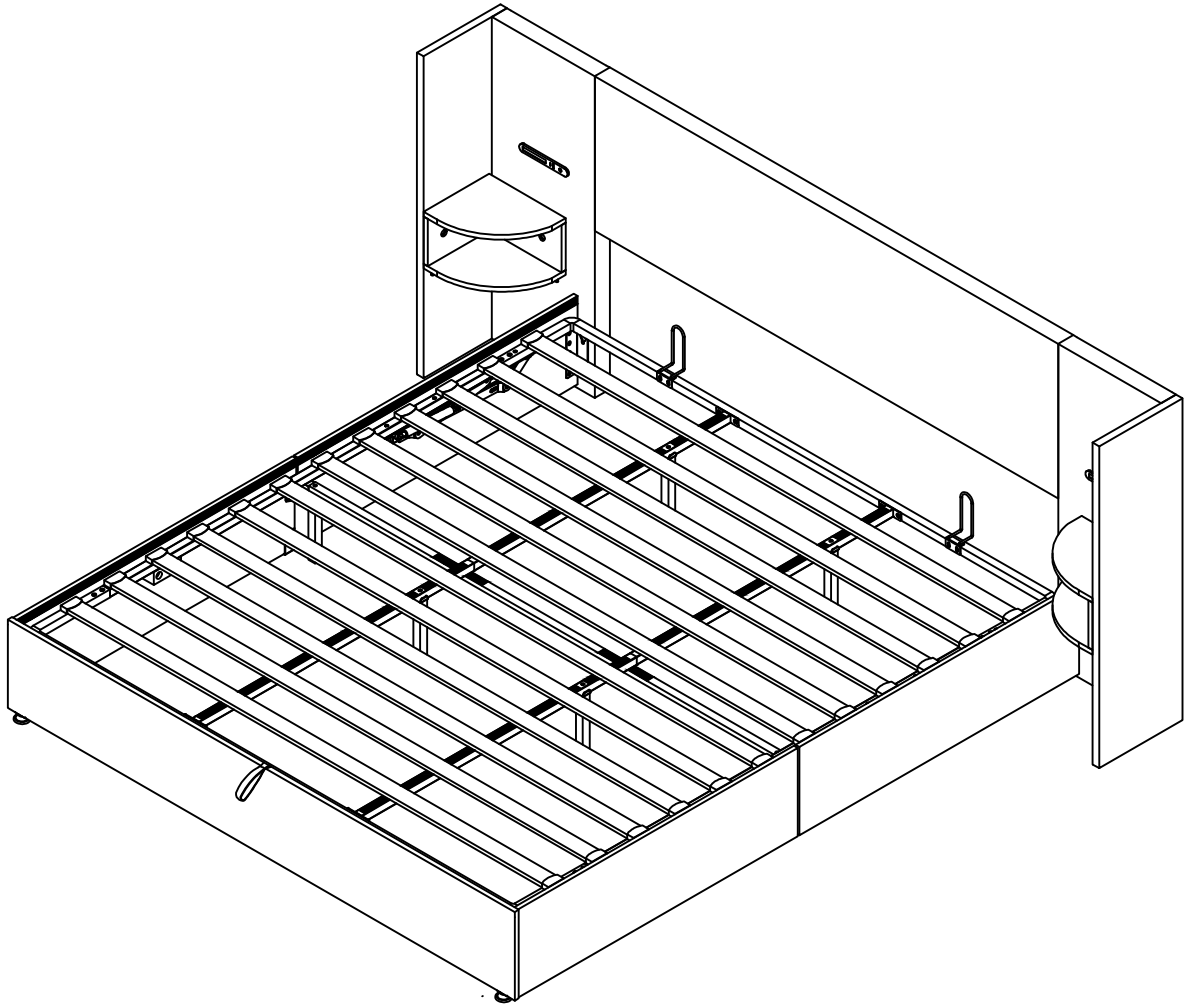


23



24





IMPORTANT NOTICE OTTOMAN OPERATING INSTRUCTIONS

Once your bed frame is completely assembled, the slat unit will not operate correctly unless a mattress is placed on the slat frame. Position the mattress on the slat frame whilst it is in the closed position.

PLEASE NOTE - It takes a lot of force to make the initial movement of the ottoman. This is a design feature of the product so that it does not fall shut - the nearer to being closed the ottoman is, the easier it is to move. When the ottoman is almost shut, it will close completely under its own weight.

When lowering the slat unit for the first time, take care to make sure it does not rub unevenly on the inside face of the side rails. If it does, the bed has been assembled slightly out of square. This can be rectified by moving the foot end of the bed slightly to the left or right whilst leaving the head end stationary.

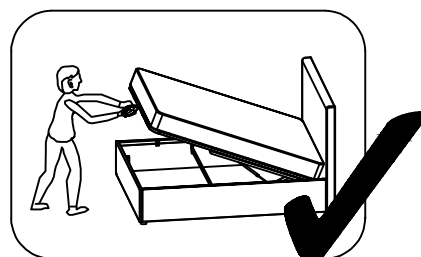
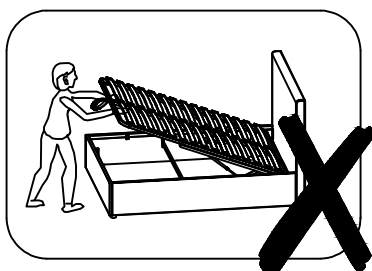
PISTONS

The pistons used in the construction of this product are extremely strong and cannot be operated by hand when taken off the ottoman. All pistons are tested for correct pressure and operation before being attached to the slat unit.

Initially it might appear that the pistons are very stiff when opening and closing the ottoman.

THIS IS PERFECTLY NORMAL

When fully assembled and the mattress is in position, please raise and lower the ottoman 4/5 times to ensure the gas piston are fully lubricated.





Certificate No.: WJT230919-EMC-A-01

Certificate of Compliance

Applicant: Foshan Xinwang Intelligent Technology Co., Ltd.
Address: Room 2418, fourth floor, Block 3, No. 201, Xingui Road, Shabian village committee, Lecong Zhen, Shunde District, Foshan City, Guangdong province
Manufacturer: Foshan Xinwang Intelligent Technology Co., Ltd.
Address: Room 2418, fourth floor, Block 3, No. 201, Xingui Road, Shabian village committee, Lecong Zhen, Shunde District, Foshan City, Guangdong province
Product: Bedside touch lamp
Brand:
Model No.: XWD-T012

Test Standards:

EN IEC 55015:2019+A11:2020; EN IEC 61000-3-2:2019+A1:2021;
EN 61000-3-3:2013+A1:2019+A2:2021; EN 61547:2009

Report No.: WJT230919-EMC-B-01

The above product has been tested by us with the listed standards and found in compliance with the technical requirements the council EMC directive 2014/30/EU.

It is possible to use CE mark to demonstrate the conformity with the law.

After preparation of the necessary technical documentation as well as the conformity declaration, the CE marking as shown below can be affixed on the equipment.



The statement is based on a single evaluation of the sample of above mentioned products. It does not imply an assessment of the whole production.

Shenzhen WJT Technology Co., Ltd.
3/F, Block A1, No. 5, 8th Road, Yangyong Industrial Park, Shapu Community, Songgang Street, Bao'an District, Shenzhen, China
Tel: +86-755-89542147; Fax: +86-755-89542147; E-mail: wjt2972105983@163.com.
Website: <http://www.wjt-test.com>



Certificate No.: EESS-220751-0

CERTIFICATE OF APPROVAL / CONFORMITY

Certificate Holder: Shenzhen JiuZhou Power Technology Co., Ltd
4/F First Block, Jinmeiwei First Industrial Park, West of Xingye Road, Heyi, Shajing
Town, Baoan District, Shenzhen, Guangdong, 518104, CHINA

Regulatory Definition: Power Supply or Charger
Product Type: AC/DC Adapter
Risk Level: 3
Trade Name: rniao
Model No(s): J151/180/121 (See addendum)
Ratings: Input: 100-240V 50/60Hz 0.6A Class II IP20 Ambient maximum 40°C
Output: 4.5-30Vdc 18W Max, 5Vdc 10.5/15W.
Refer to **Addendum** for specific ratings.

Standard(s): AS/NZS 61558.1:2008 + A1 + A2 + A3 + AS/NZS 61558.2.16:2010 +A1 + A2 + A3.
AS/NZS 62368.1:2018

Condition(s): Household and indoor use for Audio, Video, Communications and Information
Technology Equipment.

Required markings: CCS-220751-EA (in accordance with NSW regulatory requirement) and the
RCM logo (in compliance with AS/NZS 4417.1 & 2 and the EESS requirement)

Date of Issue: 5 September 2022
Valid until: 4 September 2027

Conformity Certification Services Pty Ltd as accredited by JAS-ANZ under ISO/IEC 17065 certifies that the Electrical Equipment as described on this certificate complies with the minimum essential safety requirements for which the application has been made. This certificate meets the requirement of the New South Wales Government Recognised External Approvals Scheme (REAS) and Queensland Government Recognised External Certification Scheme (RECS). Certification is based on type testing and within our terms and conditions.

For and on behalf of
Conformity Certification Services Pty Ltd
trading as EESS Conformity Certification



Fair
Trading

Queensland
Government

This certificate is recognised by all other States
and Territories of Australia and New Zealand.
Suite 3, 495 The Hursley Drive, Smithfield,
NSW 2154, AUSTRALIA
www.eessconformity.com



JAS-ANZ



www.jas-anz.com

The trademarks above remain the property of their respective owners.

Page 1 of 6
EES1000000



Dongguan Anci Electronic Technology Co., Ltd.
Add.: 1-2 Floor, Building A, No.11, Headquarters 2 Road, Songshan Lake
Hi-tech Industrial Development Zone, Dongguan City, Guangdong Pr., China.
Tel: 86 -769 -8507 5888 Fax: 86 -769 -8507 5898 Web: www.anci.com

ATTESTATION OF CONFORMITY

Attestation No.: 21AE110514T023

This Attestation of Conformity is hereby issued to the product designated below

Report No. : E01A21110514T02301
Applicant : Shenzhen Jiuzhou Power Technology Co., Ltd.
Address : 4/F First Block, Jinmeiwei First Industrial Park, West of Xingye
Road, Heyi, Shajing Town, Baoan District, 518104 Shenzhen,
Guangdong, PEOPLE'S REPUBLIC OF CHINA
Manufacturer : Same as applicant
Address : Same as applicant
Description of Product : AC/DC ADAPTER
Model No. : Refer to next page for details
Input Rating : 100-240VAC, 50/60Hz, 0.6A
Output Rating : Refer to next page for details
Test Standards : AS/NZS CISPR 32: 2015+A1:2020
AS/NZS CISPR 14.1:2021

The device bearing the trade name and model specified above has been shown to comply with the applicable technical standards as indicated in the measurement report and was tested in accordance with the measurement procedures specified.



Tomas Yang
EMC Laboratory

Date of Issue: September 05, 2022

This Attestation of Conformity is based on a single evaluation of the submitted sample(s) of the above mentioned product. It does not imply an assessment of the whole production and other relevant Directives have to be observed.