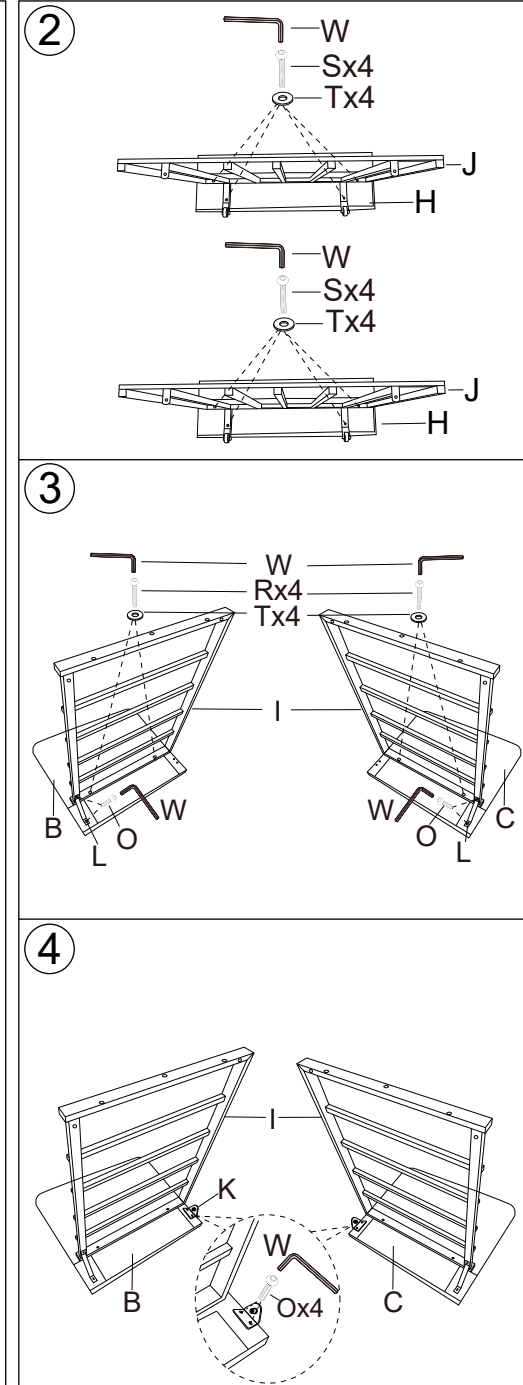
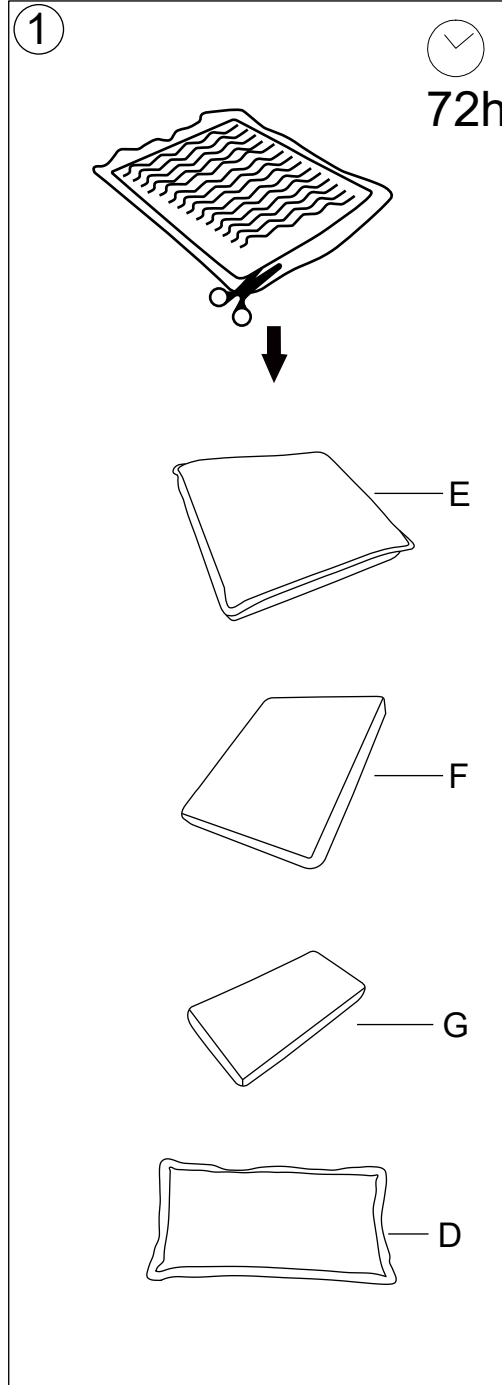


# ASSEMBLY INSTRUCTION

H08F-HK-DE3015

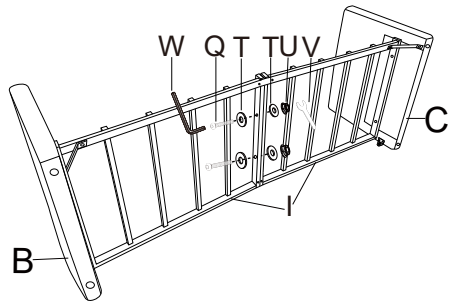
Ax2 	Bx1 
Cx1 	Dx2 
Ex2 	Fx2 
Gx2 	Hx2 
Ix2 	Jx2 
Kx2 	Lx2 
Mx1 	Nx1 
Ox10 	Px8 
Qx2 	Rx4 
Sx10 	Tx26 
Ux2 	Vx1 
Wx1 	



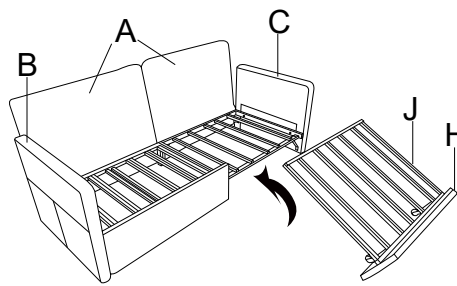
# ASSEMBLY INSTRUCTION

H08F-HK-DE3015

5

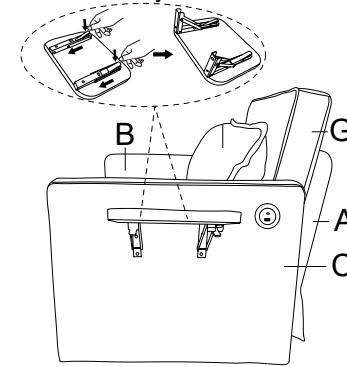


8

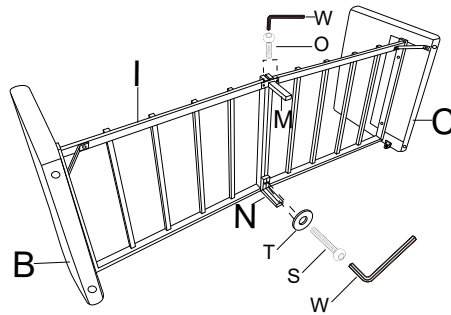


11

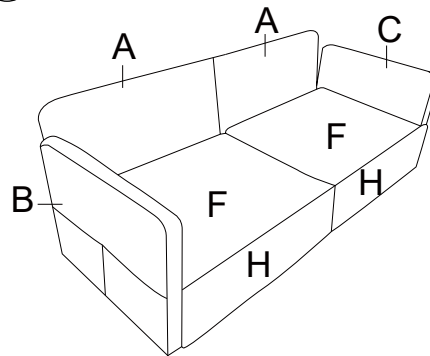
Both side switches need to be pressed simultaneously to fold the tabletop



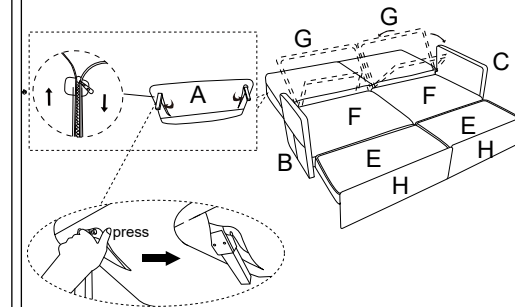
6



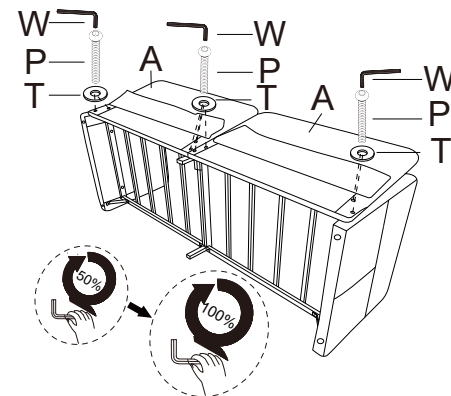
9



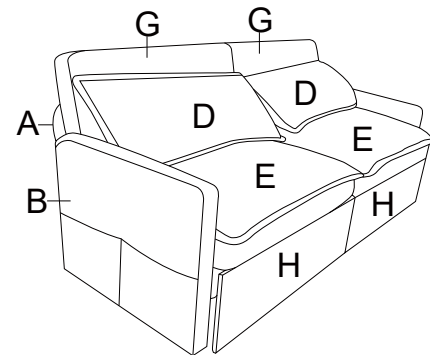
12



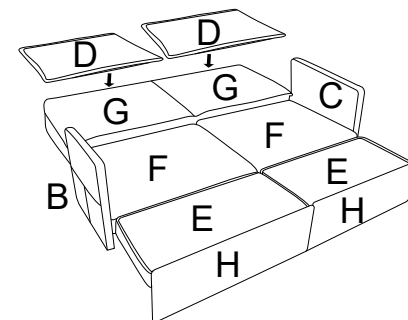
7



10



13



# ASSEMBLY INSTRUCTION

H08F-HK-DE3015

Ax2 	Bx1 
Cx1 	Dx2 
Ex2 	Fx2 
Gx2 	Hx2 
Ix2 	Jx2 
Kx2 	Lx2 
Mx1 	Nx1 
Ox10 	Px8 
Qx2 	Rx4 
Sx10 	Tx26 
Ux2 	Vx1 
Wx1 	

① 72h

E

F

G

D

②

W  
Sx4  
Tx4

J  
H

W  
Sx4  
Tx4

J  
H

③

W  
Rx4  
Tx4

I

B  
L  
O  
W  
C  
L

④

I

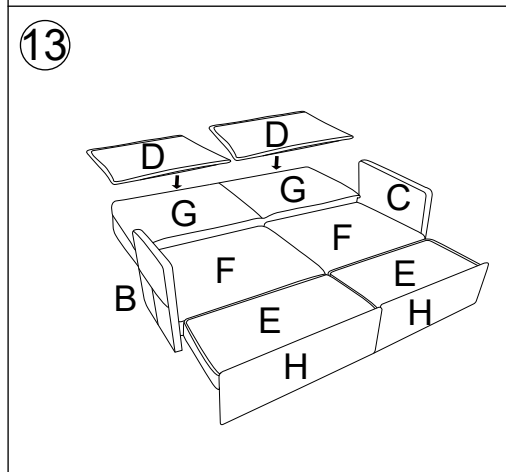
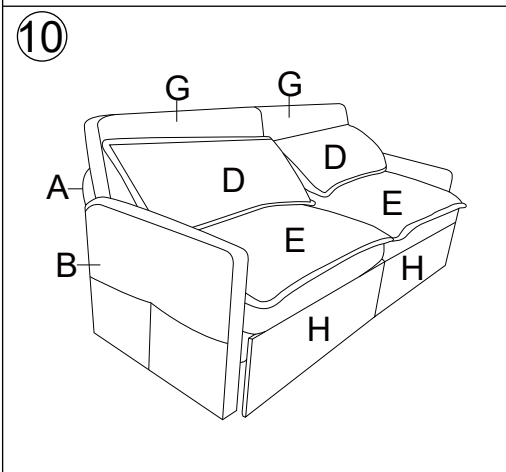
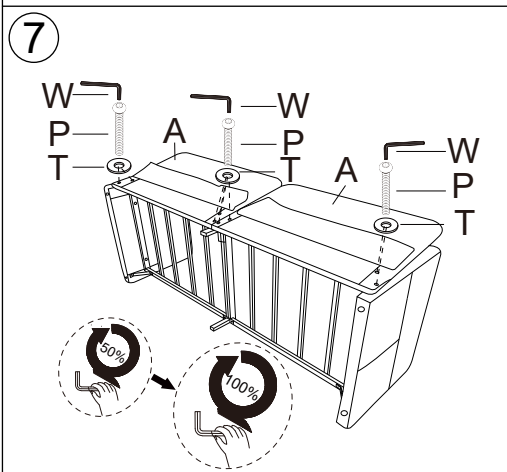
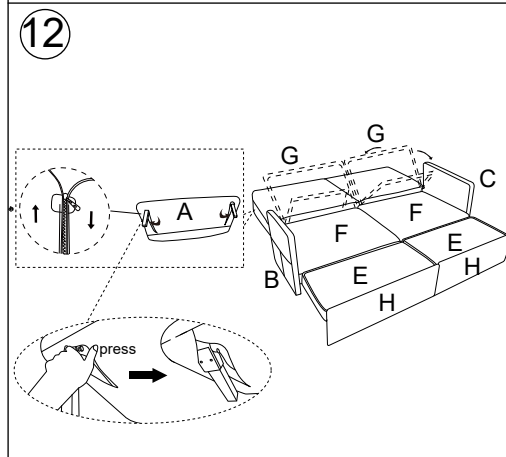
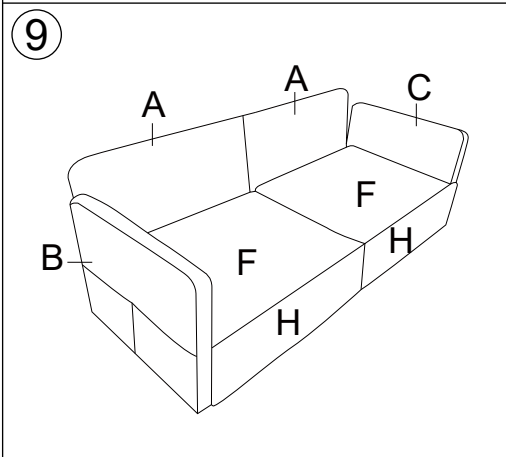
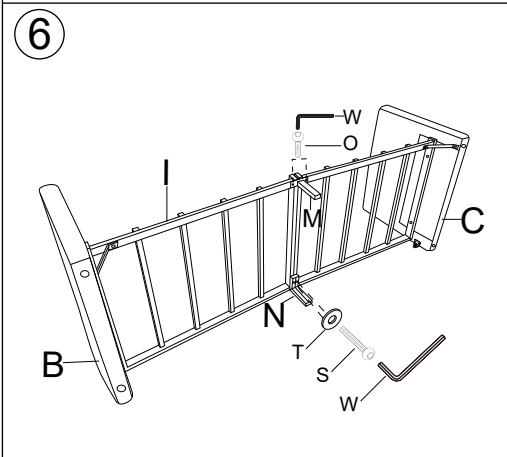
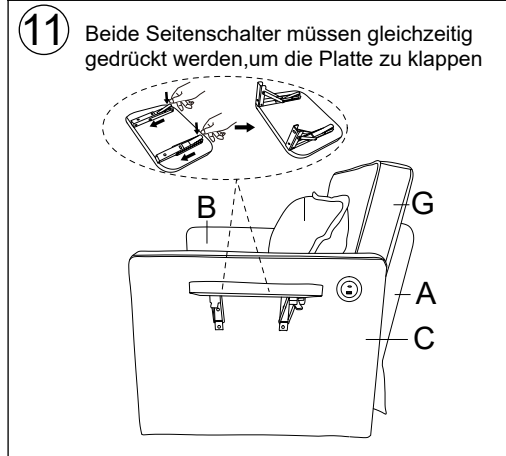
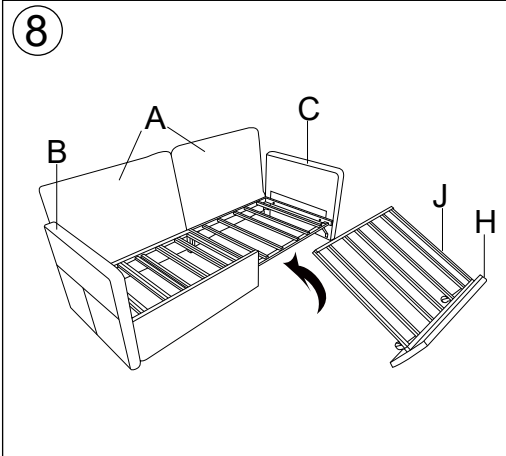
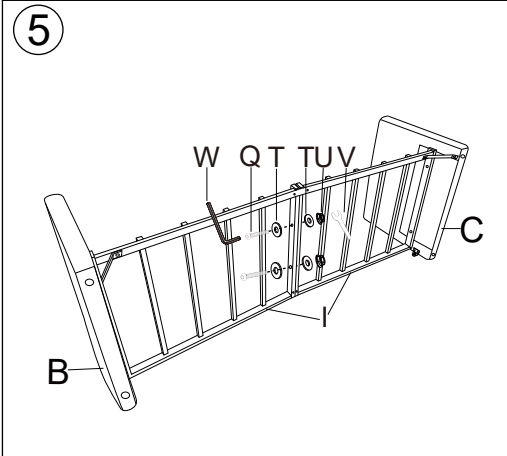
K

B  
C

W  
Ox4

# ASSEMBLY INSTRUCTION

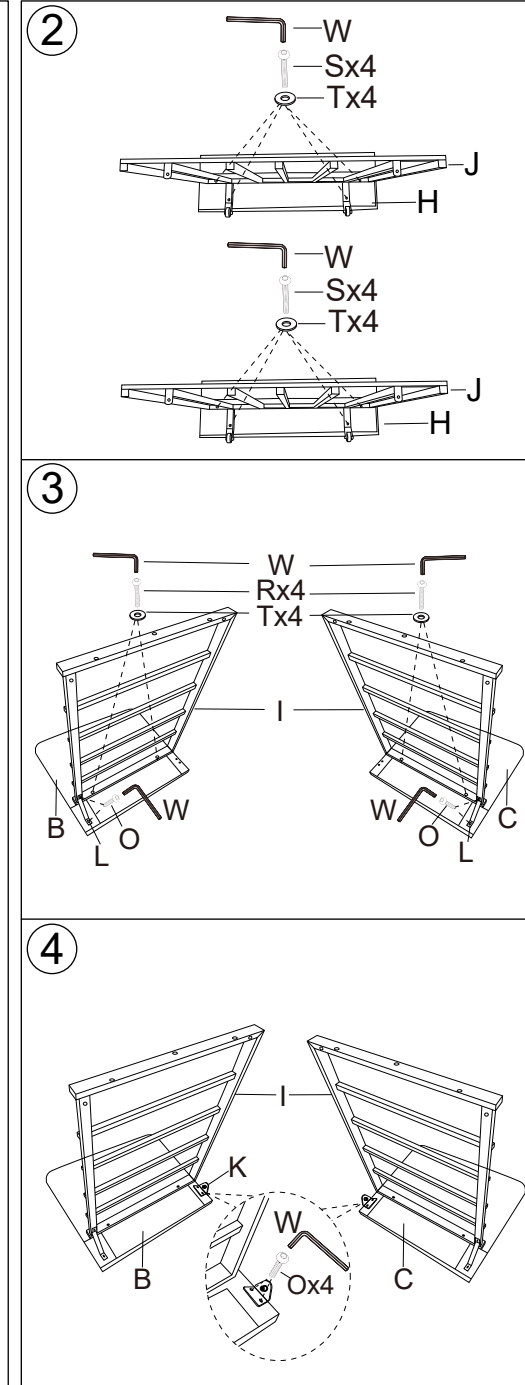
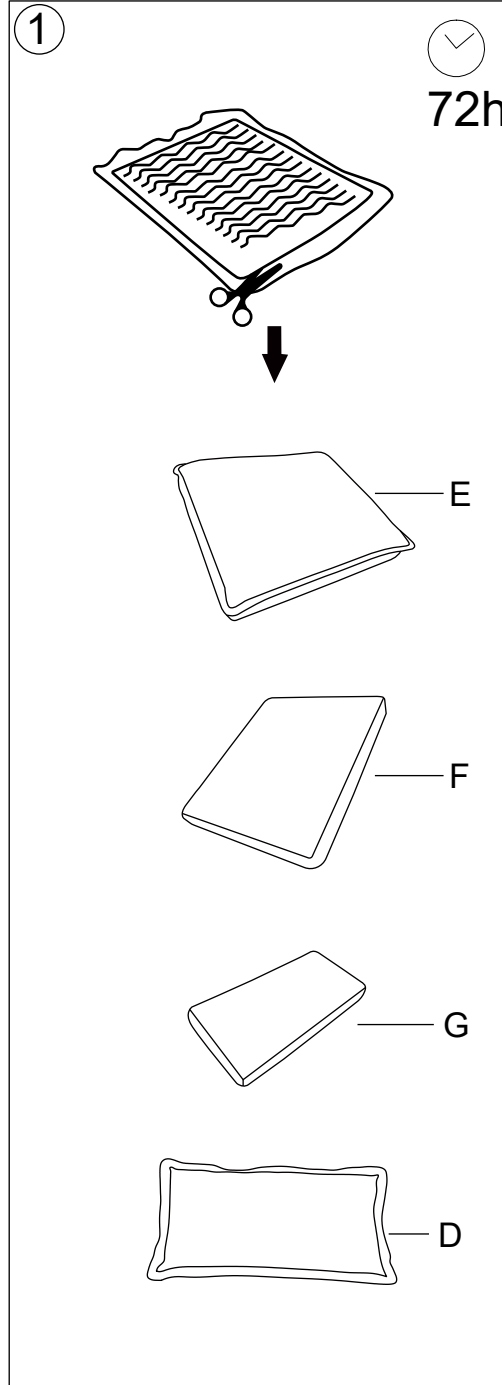
H08F-HK-DE3015



# ASSEMBLY INSTRUCTION

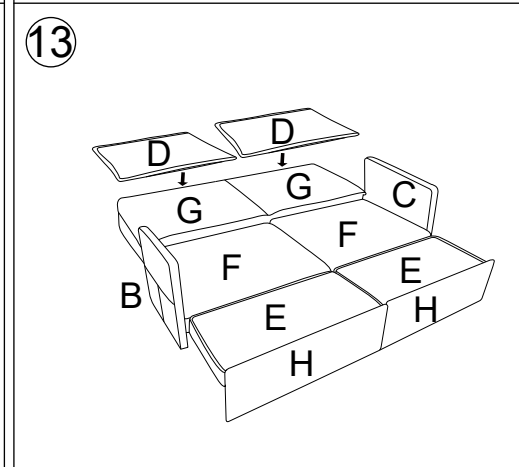
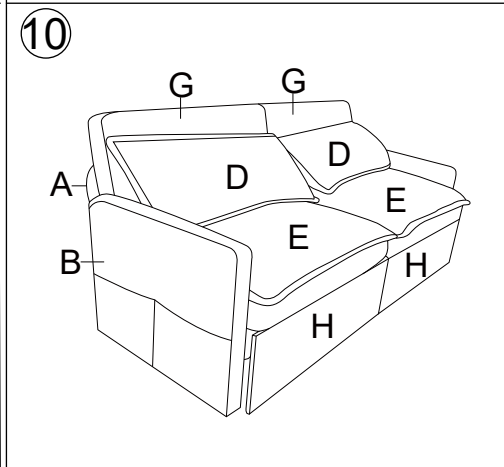
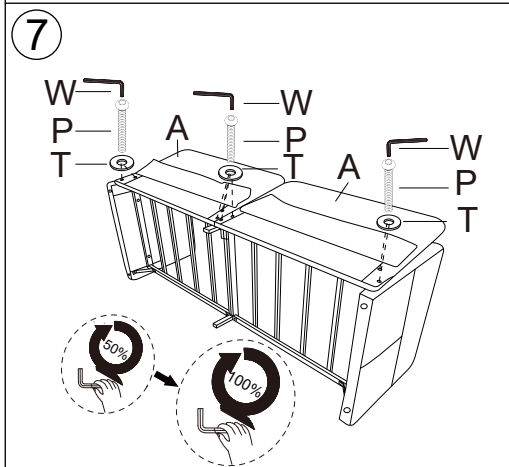
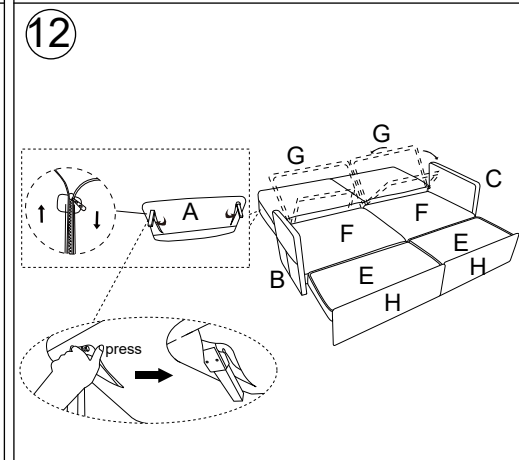
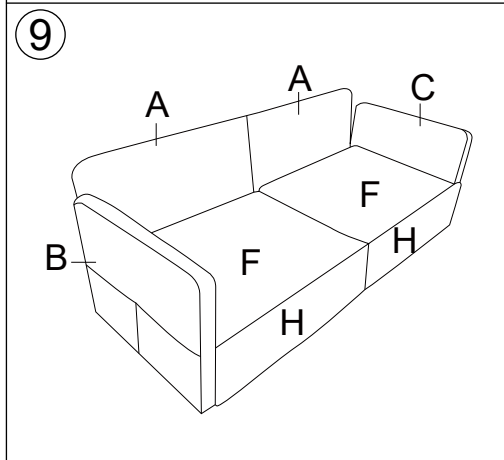
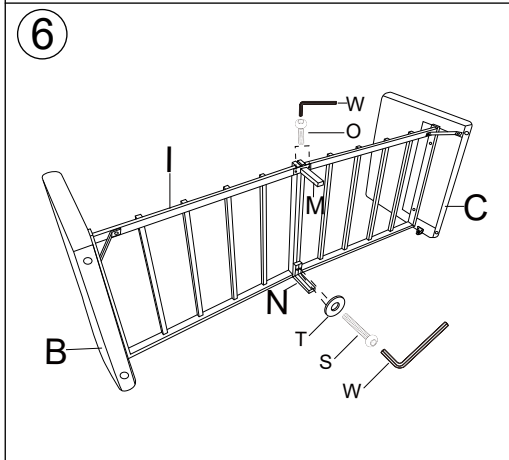
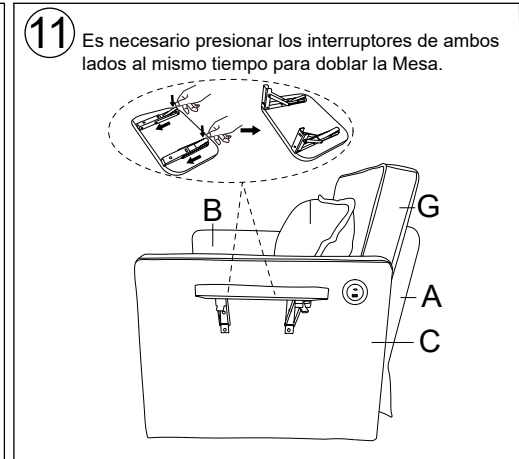
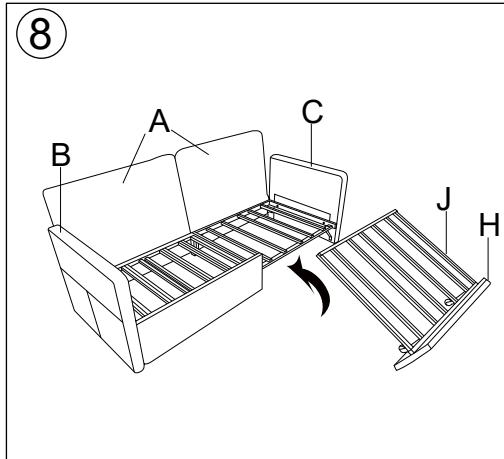
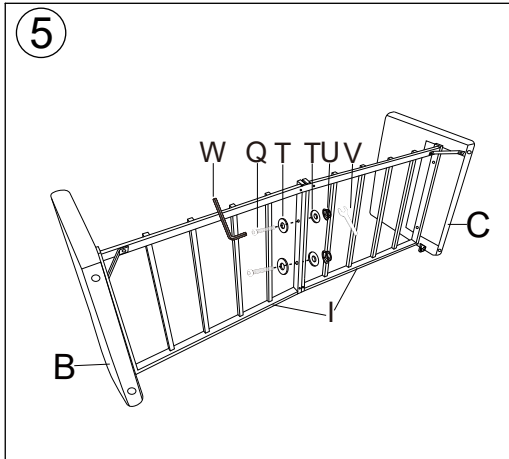
H08F-HK-DE3015

Ax2 	Bx1 
Cx1 	Dx2 
Ex2 	Fx2 
Gx2 	Hx2 
Ix2 	Jx2 
Kx2 	Lx2 
Mx1 	Nx1 
Ox10 	Px8 
Qx2 	Rx4 
Sx10 	Tx26 
Ux2 	Vx1 
Wx1 	



# ASSEMBLY INSTRUCTION

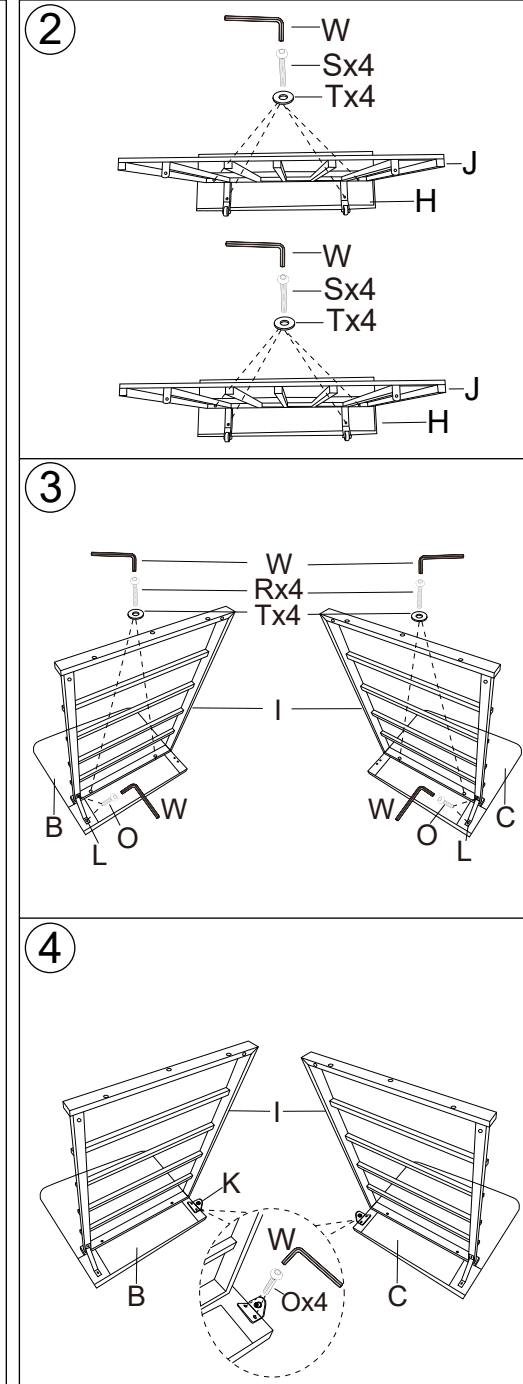
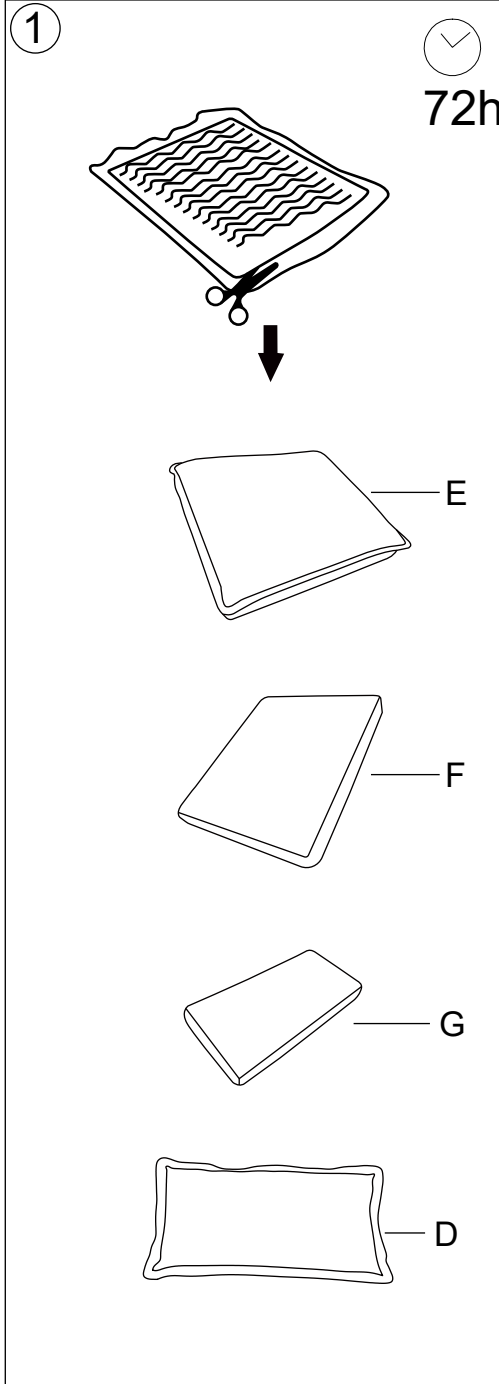
H08F-HK-DE3015



# ASSEMBLY INSTRUCTION

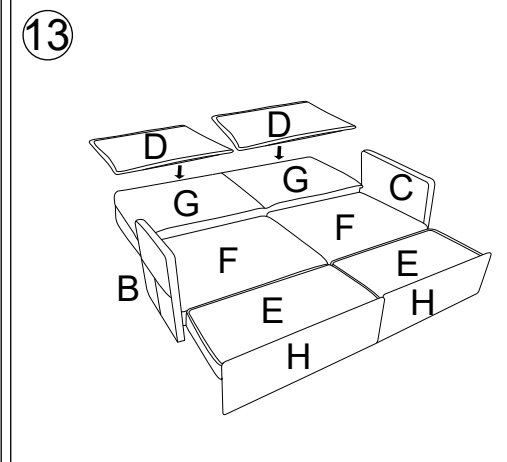
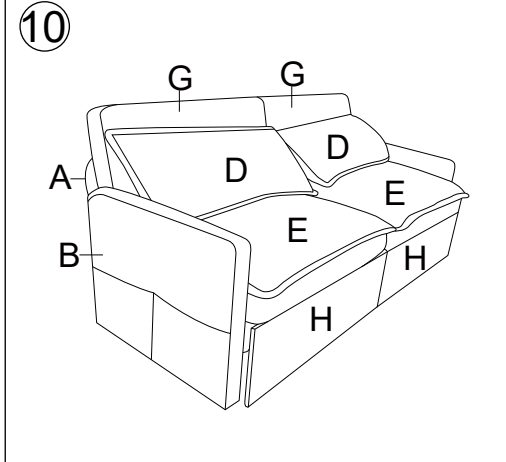
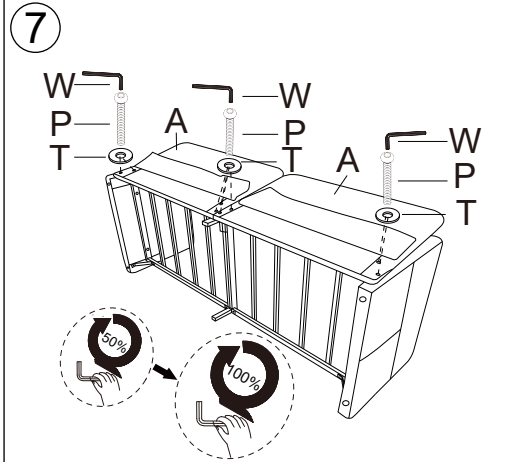
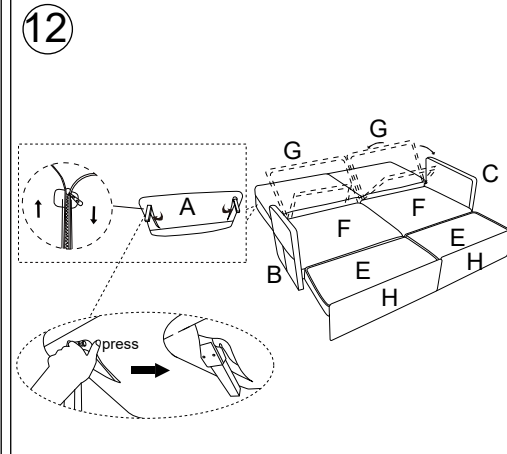
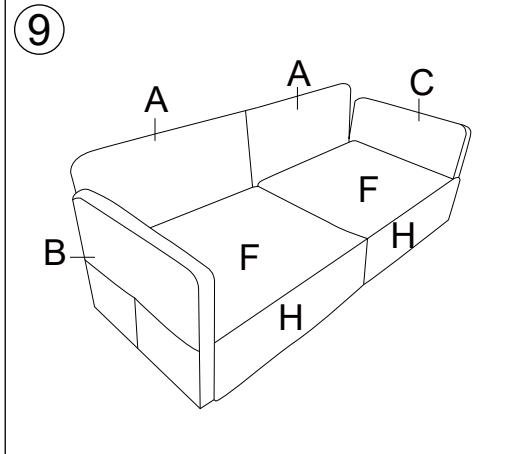
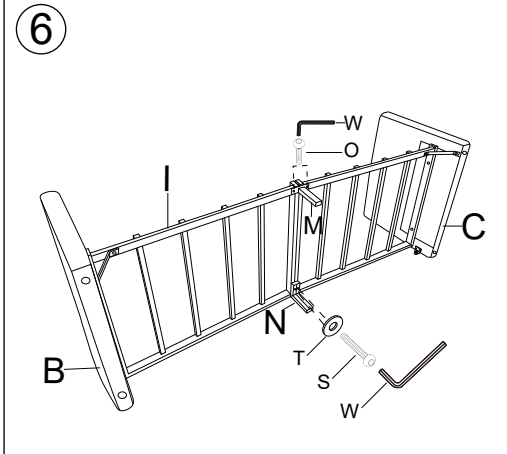
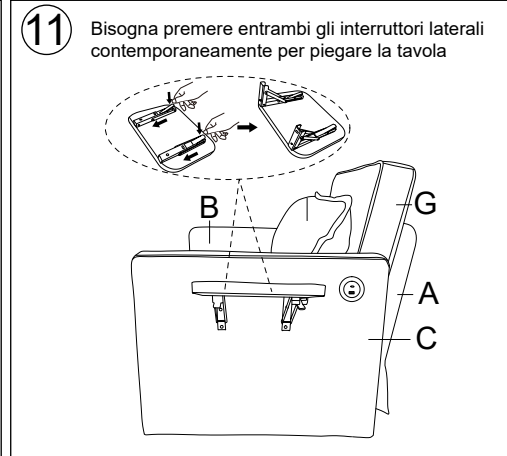
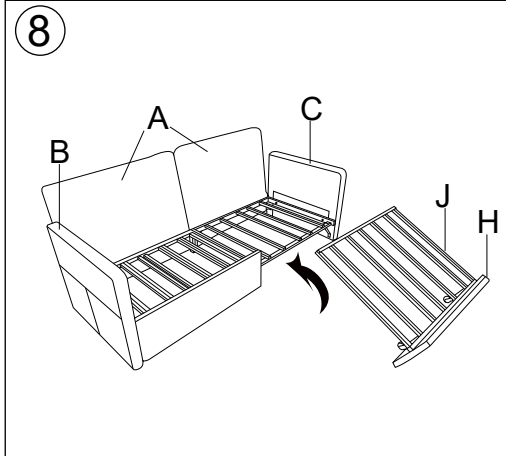
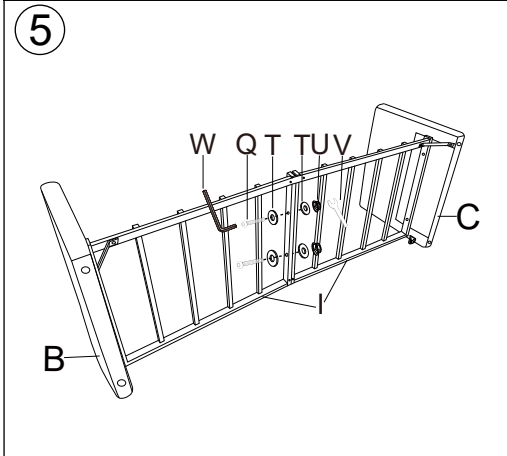
H08F-HK-DE3015

Ax2 	Bx1 
Cx1 	Dx2 
Ex2 	Fx2 
Gx2 	Hx2 
Ix2 	Jx2 
Kx2 	Lx2 
Mx1 	Nx1 
Ox10 	Px8 
Qx2 	Rx4 
Sx10 	Tx26 
Ux2 	Vx1 
Wx1 	



# ASSEMBLY INSTRUCTION

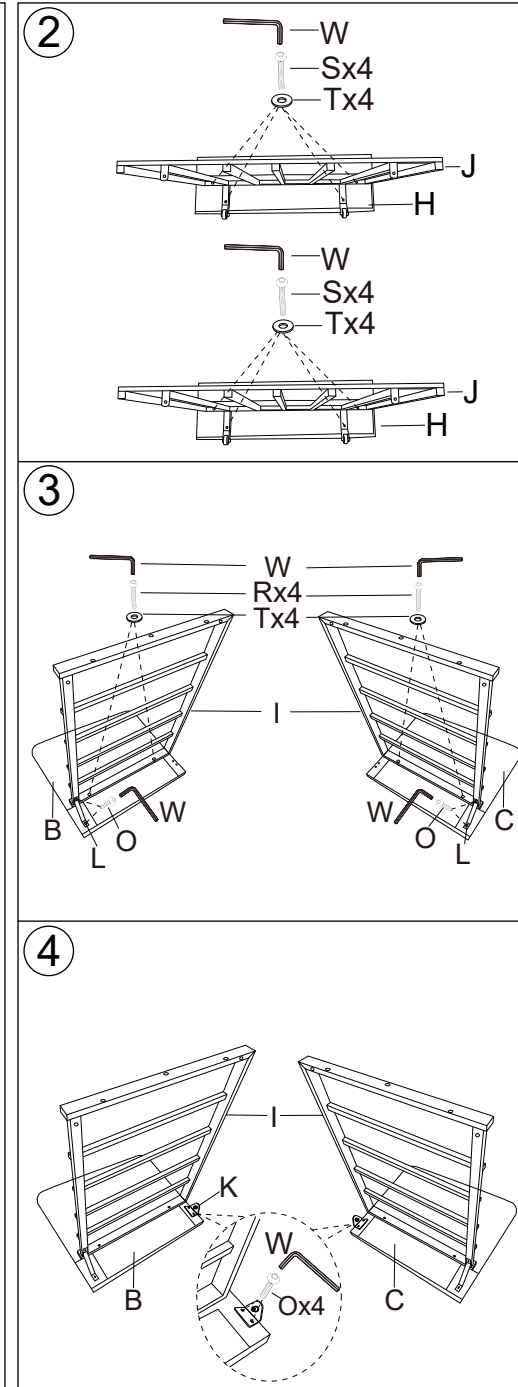
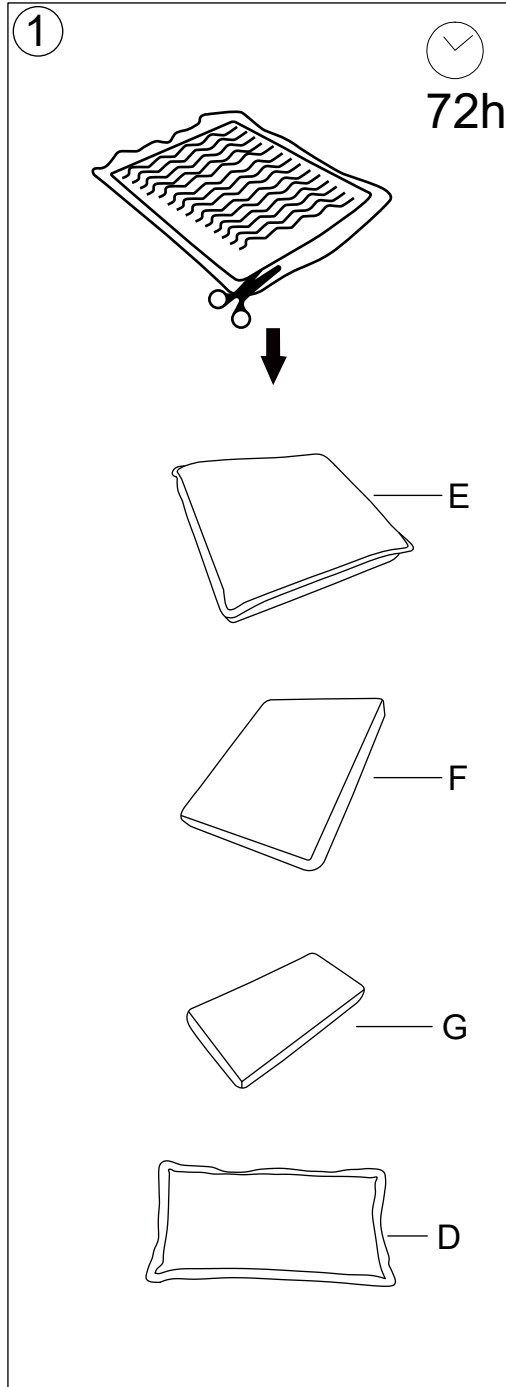
H08F-HK-DE3015



# ASSEMBLY INSTRUCTION

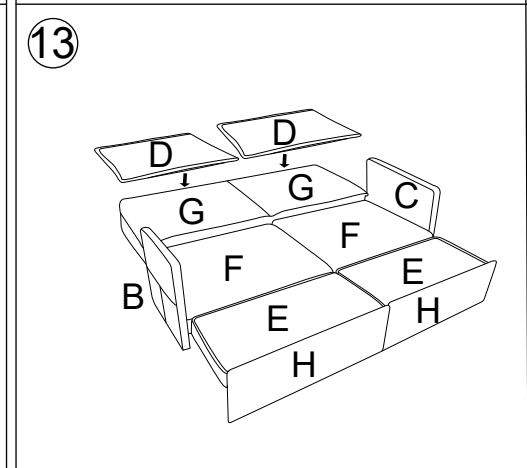
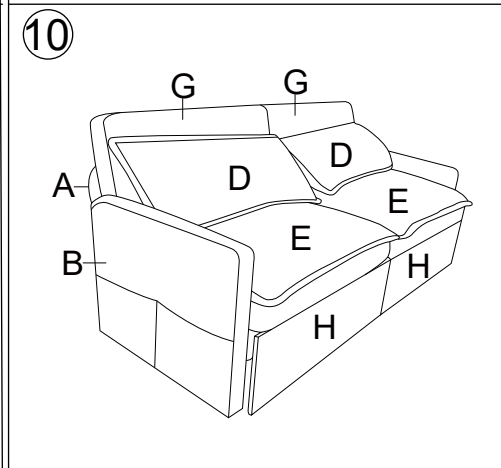
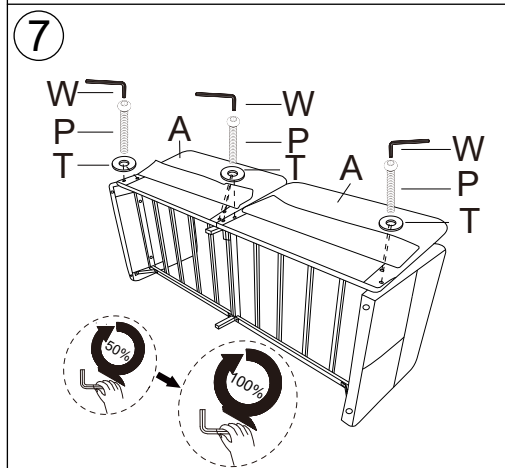
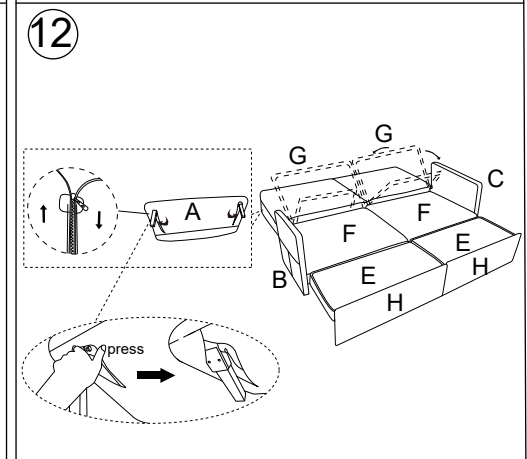
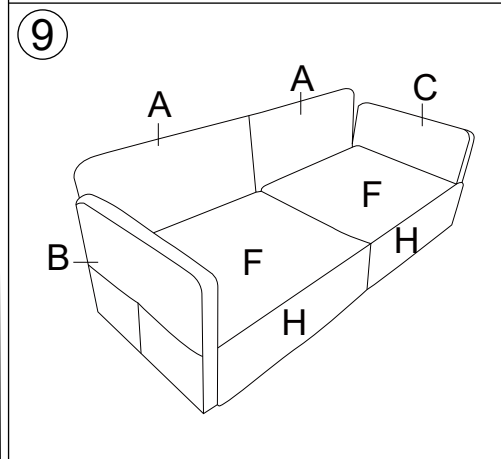
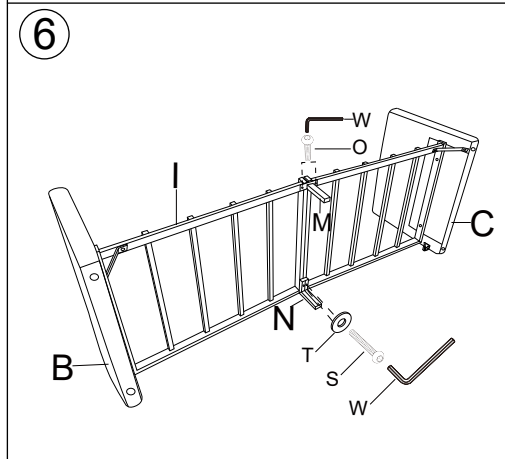
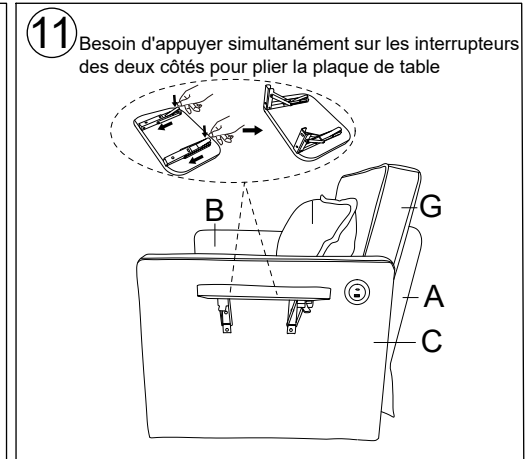
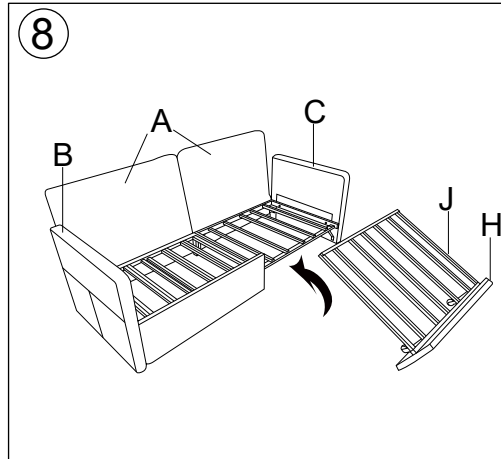
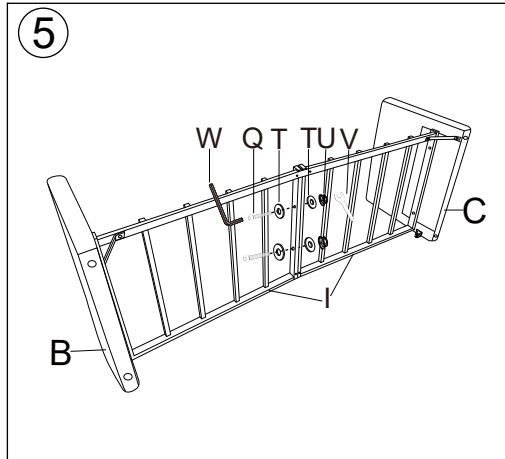
H08F-HK-DE3015

Ax2 	Bx1 
Cx1 	Dx2 
Ex2 	Fx2 
Gx2 	Hx2 
Ix2 	Jx2 
Kx2 	Lx2 
Mx1 	Nx1 
Ox10 	Px8 
Qx2 	Rx4 
Sx10 	Tx26 
Ux2 	Vx1 
Wx1 	



# ASSEMBLY INSTRUCTION

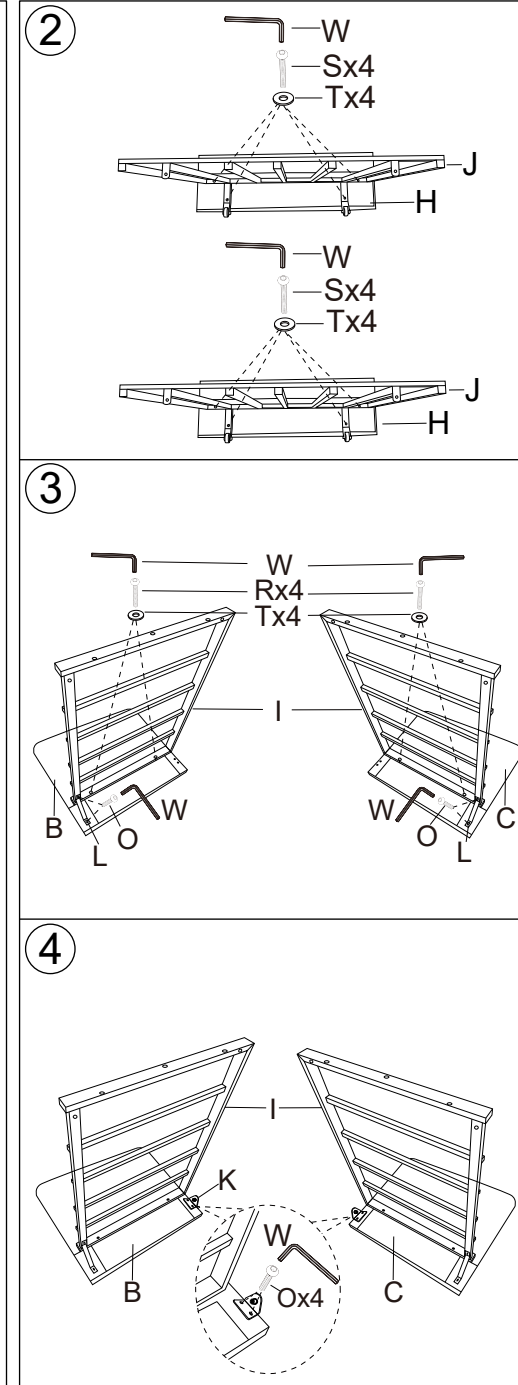
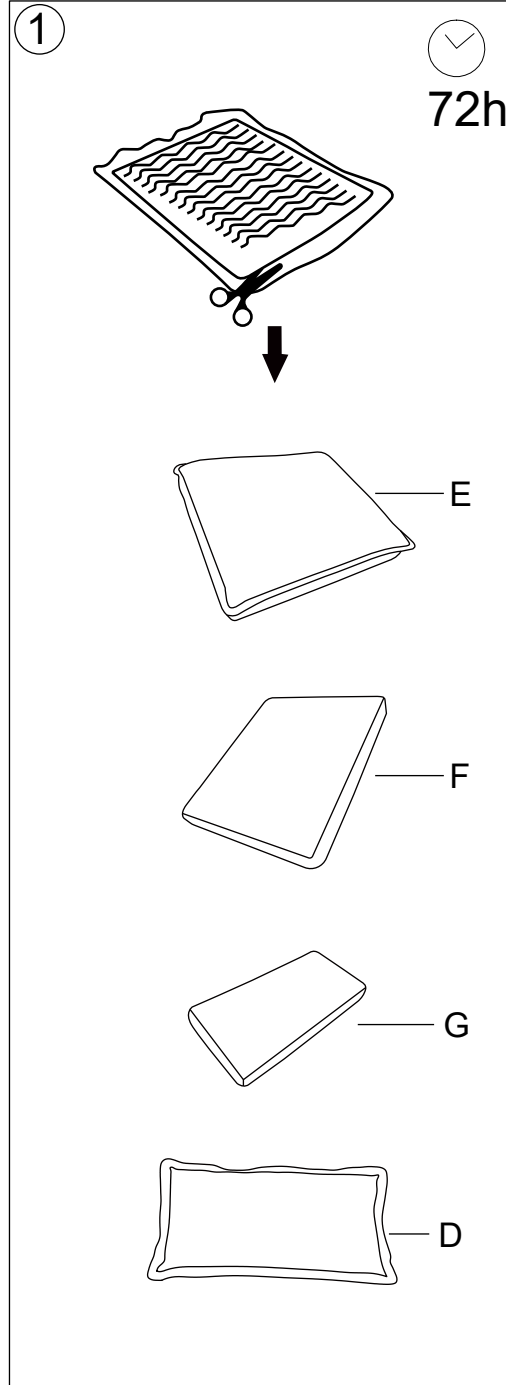
H08F-HK-DE3015



# ASSEMBLY INSTRUCTION

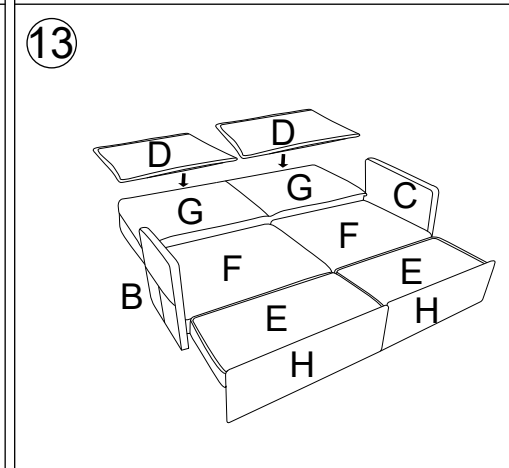
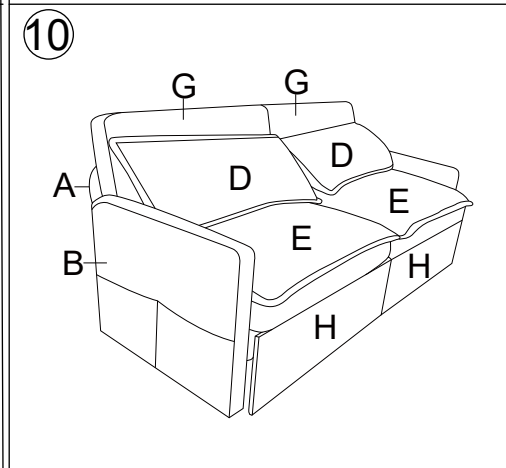
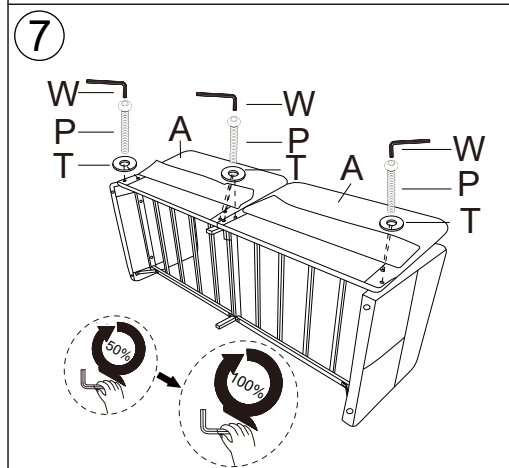
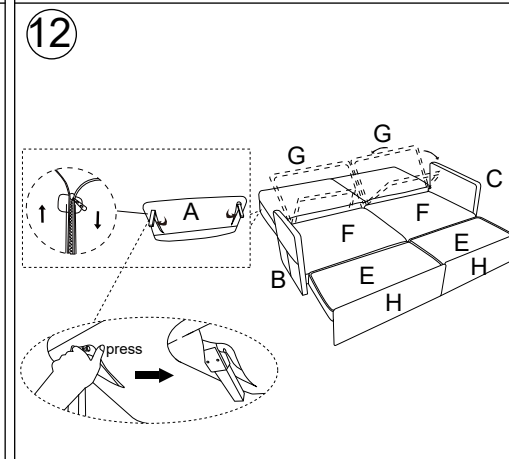
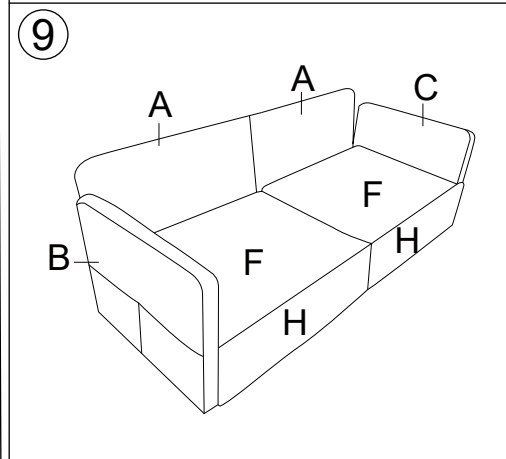
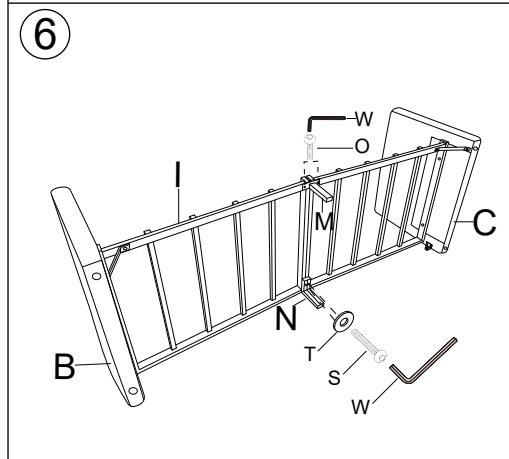
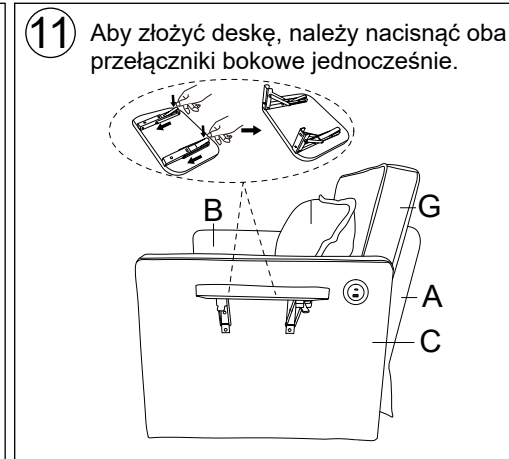
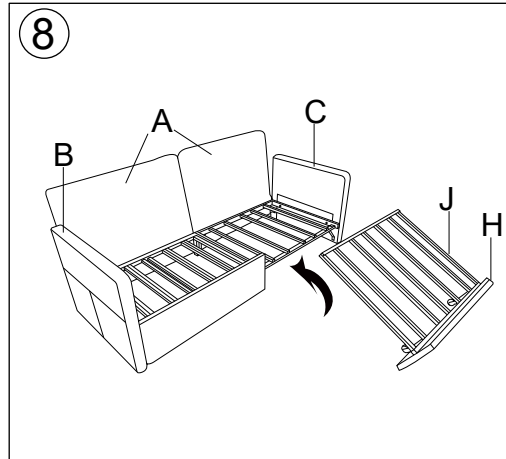
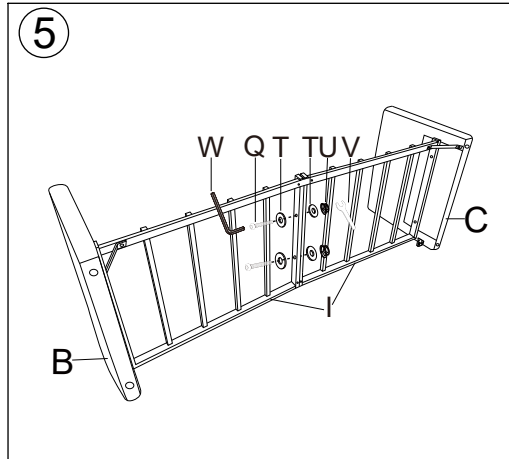
H08F-HK-DE3015

Ax2 	Bx1 
Cx1 	Dx2 
Ex2 	Fx2 
Gx2 	Hx2 
Ix2 	Jx2 
Kx2 	Lx2 
Mx1 	Nx1 
Ox10 	Px8 
Qx2 	Rx4 
Sx10 	Tx26 
Ux2 	Vx1 
Wx1 	



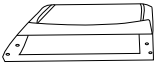
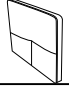



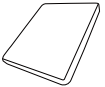
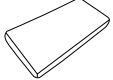
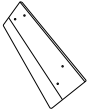




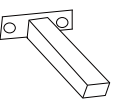
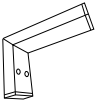
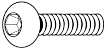
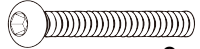

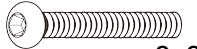
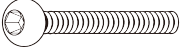




# ASSEMBLY INSTRUCTION

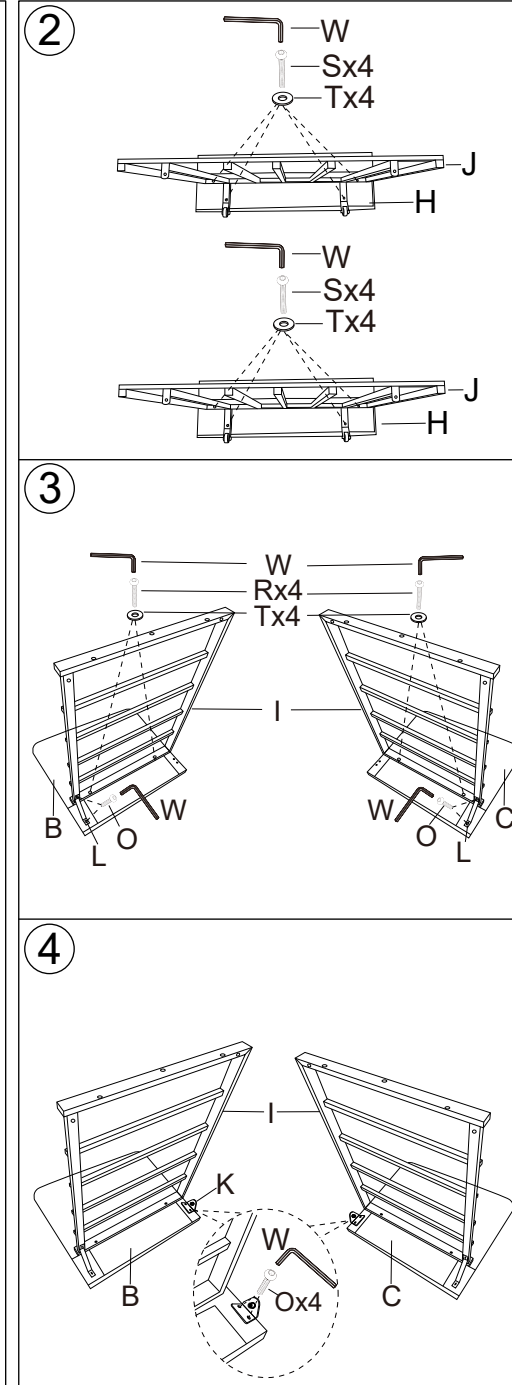
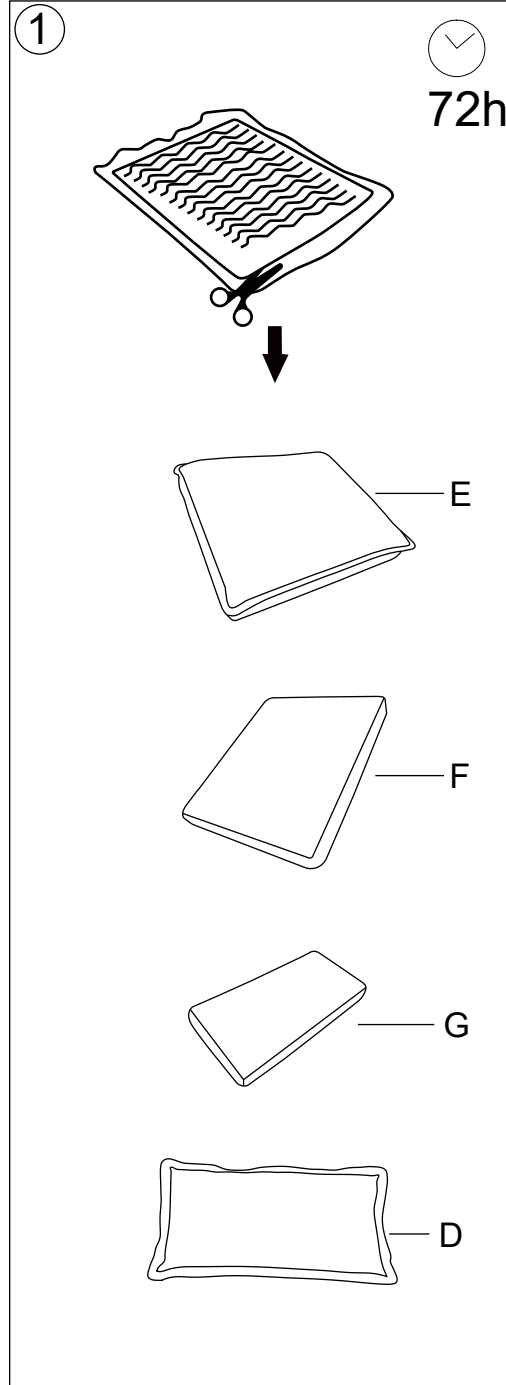
H08F-HK-DE3015



# ASSEMBLY INSTRUCTION

H08F-HK-DE3015

Ax2 	Bx1 
Cx1 	Dx2 
Ex2 	Fx2 
Gx2 	Hx2 
Ix2 	Jx2 
Kx2 	Lx2 
Mx1 	Nx1 
Ox10  6x20	Px8  8x40
Qx2  8x50	Rx4  8x35
Sx10  6x35	Tx26 
Ux2 	Vx1 
Wx1 	



# ASSEMBLY INSTRUCTION

H08F-HK-DE3015

