

ASSEMBLY INSTRUCTIONS

Eetkamertafel Cliff ovale buis

HARDWARE :-



x8



x8

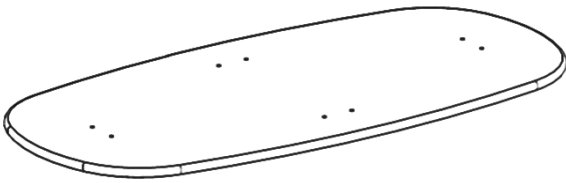


x1

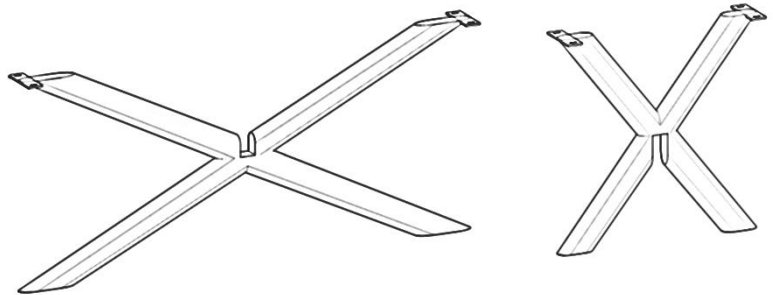
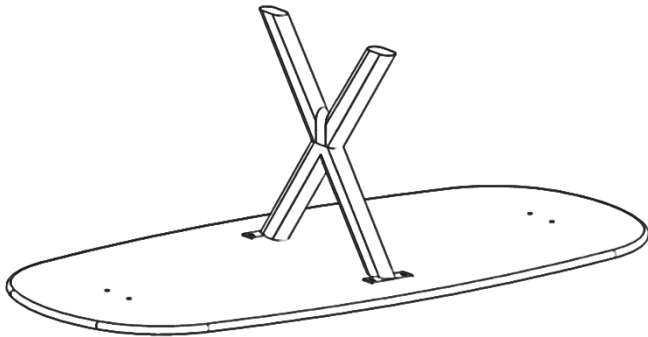
BEFORE YOU START

- 1) Choose a clean, level, spacious assembly area. Avoid hard surfaces that may damage the product.
- 2) Check and ensure that you have all required contents for complete assembly.
- 3) Always read the assembly instructions carefully before beginning assembly.
- 4) Do not over tighten the bolts as this may damage the thread

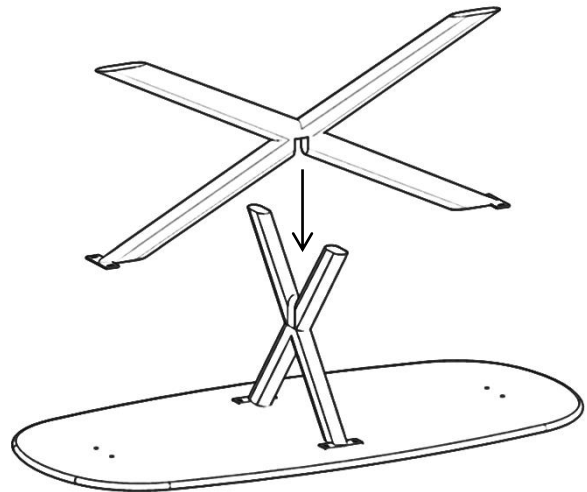
PARTS :-



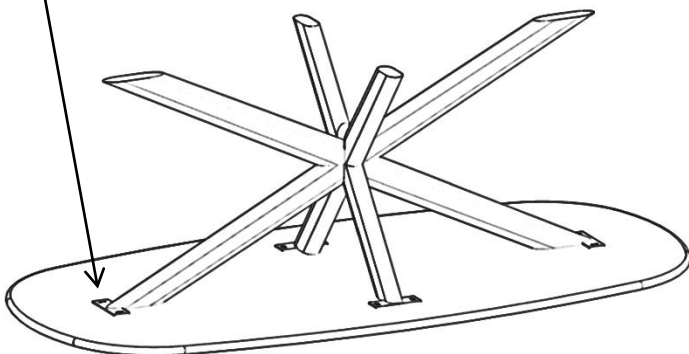
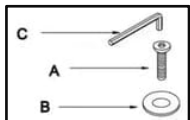
STEP - 1



STEP - 2



STEP - 3



FINAL

