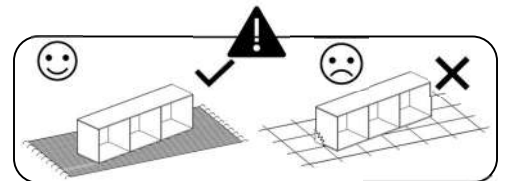
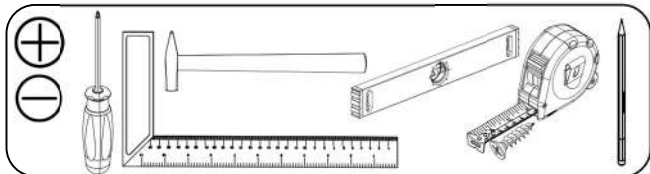
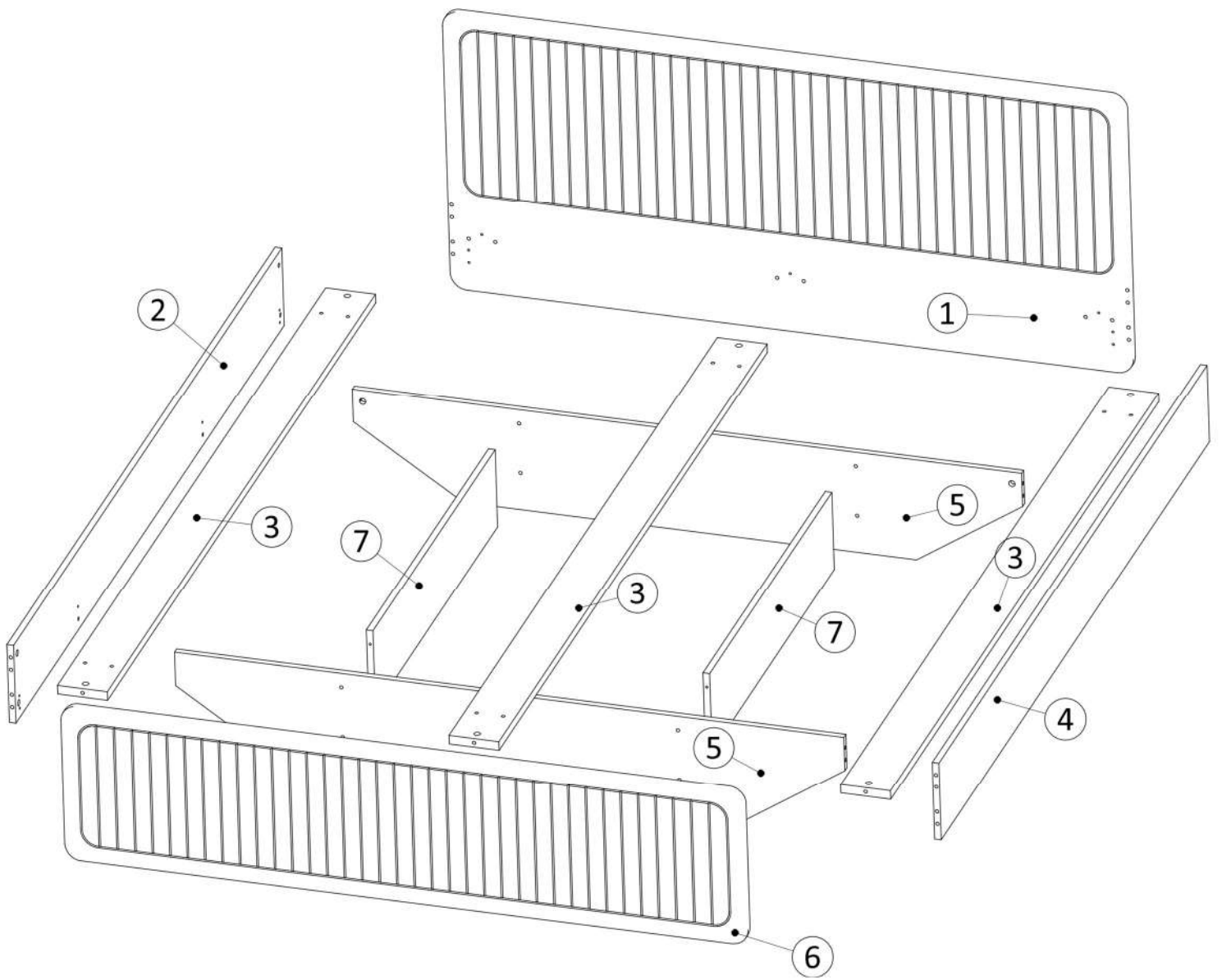


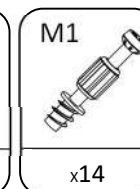
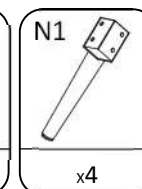
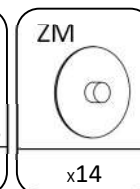
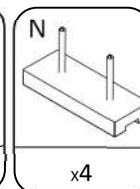
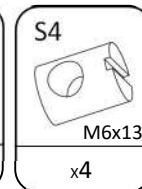
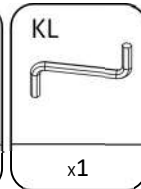
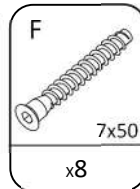
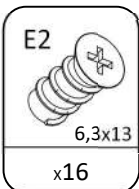
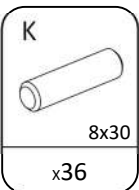
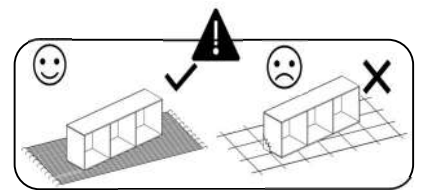
CHLOE

160

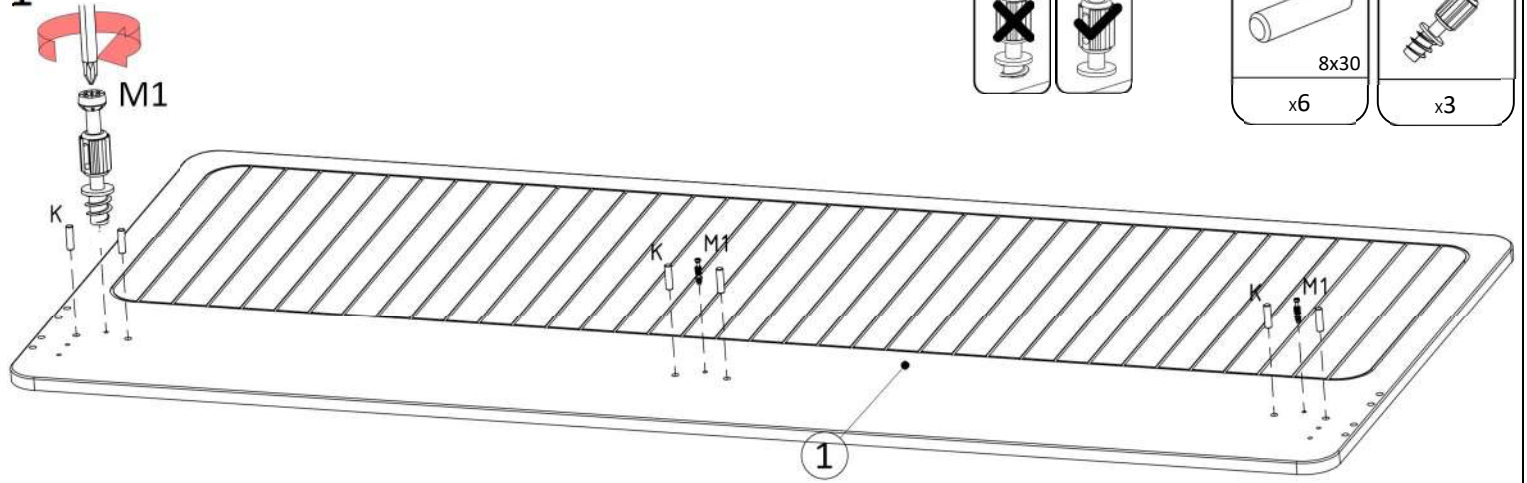




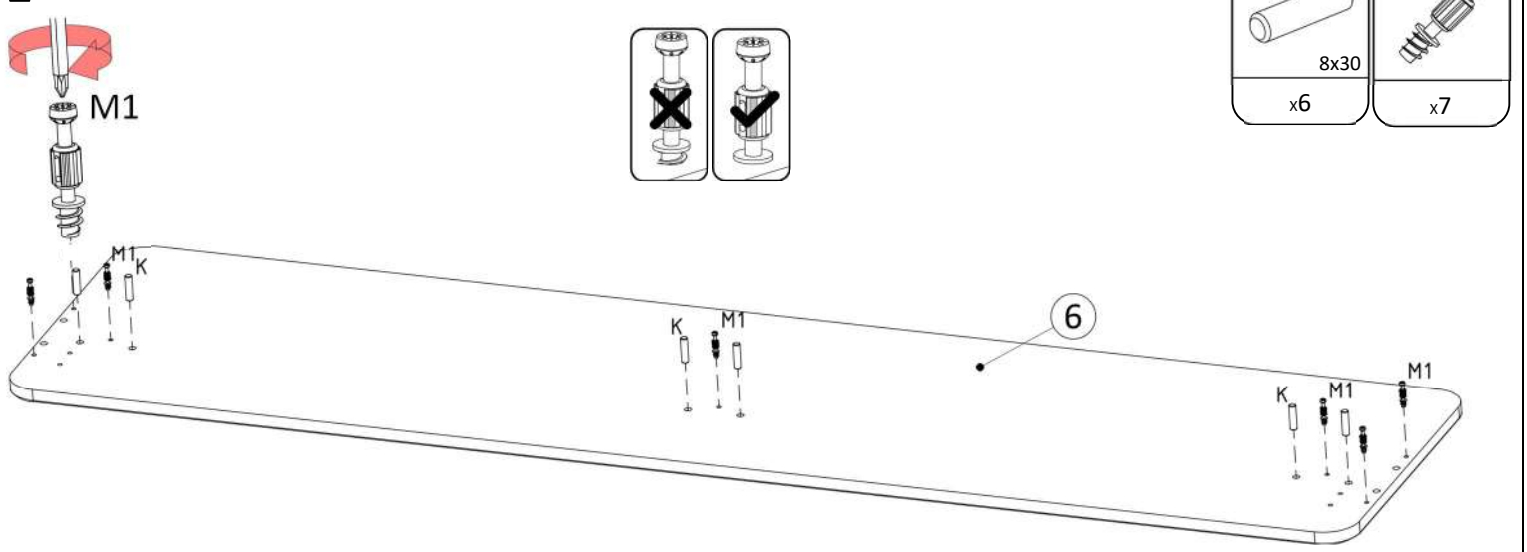
No	T(mm)	L(mm)	W(mm)	pcs.
1	16	720	1644	1
2	16	2010	200	1
3	22	2010	120	3
4	16	2010	200	1
5	16	1610	259	2
6	16	400	1644	1
7	16	916	200	2



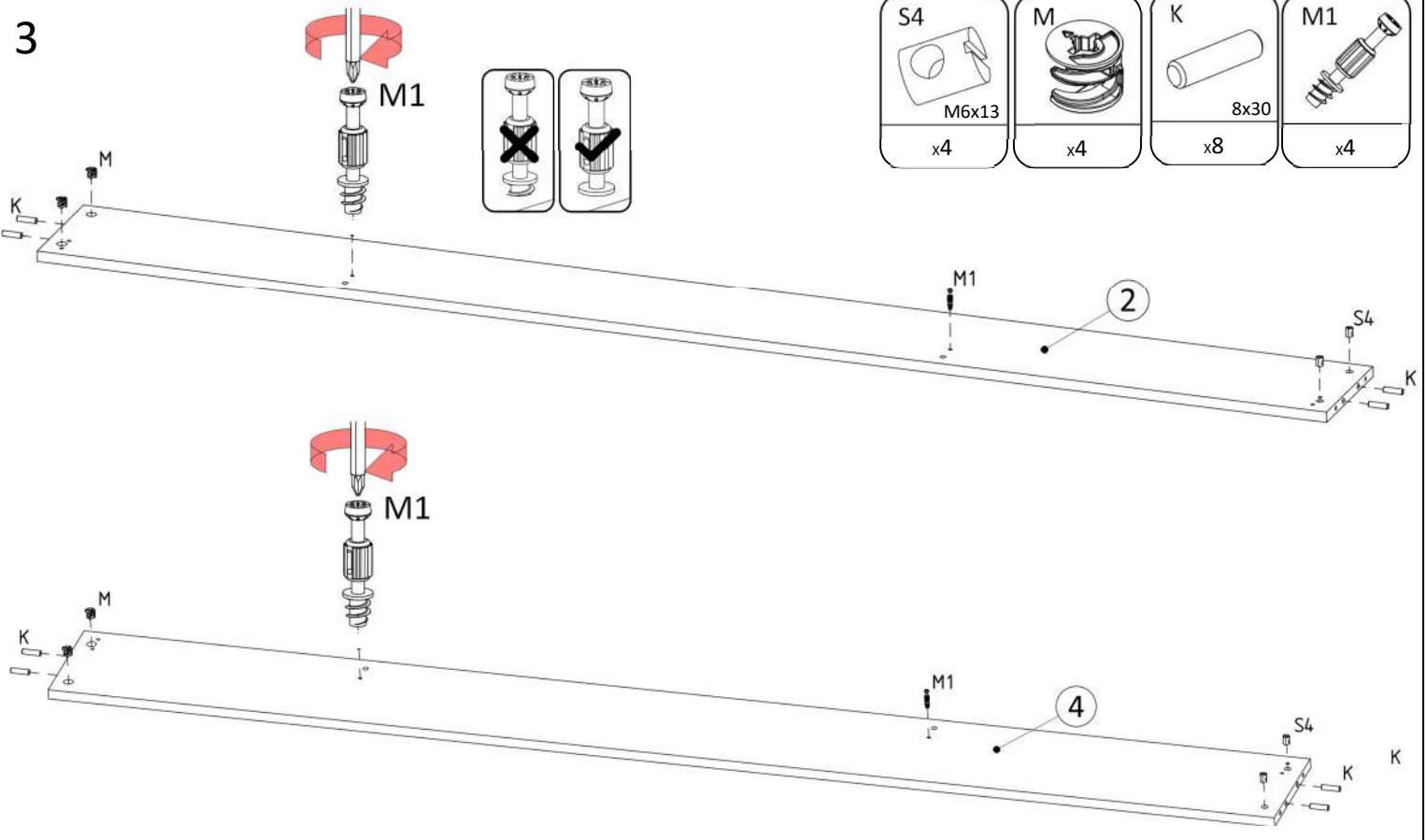
1

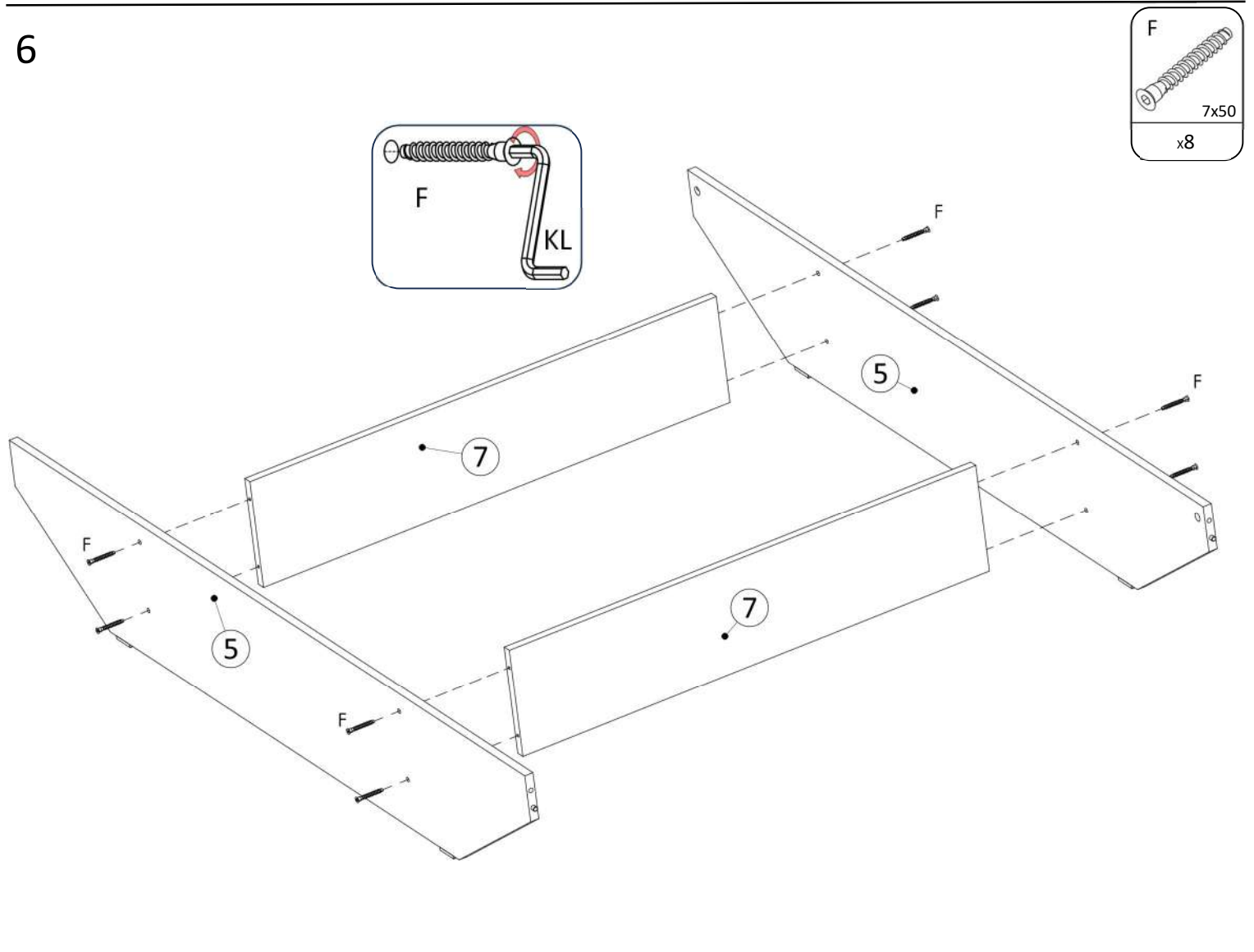
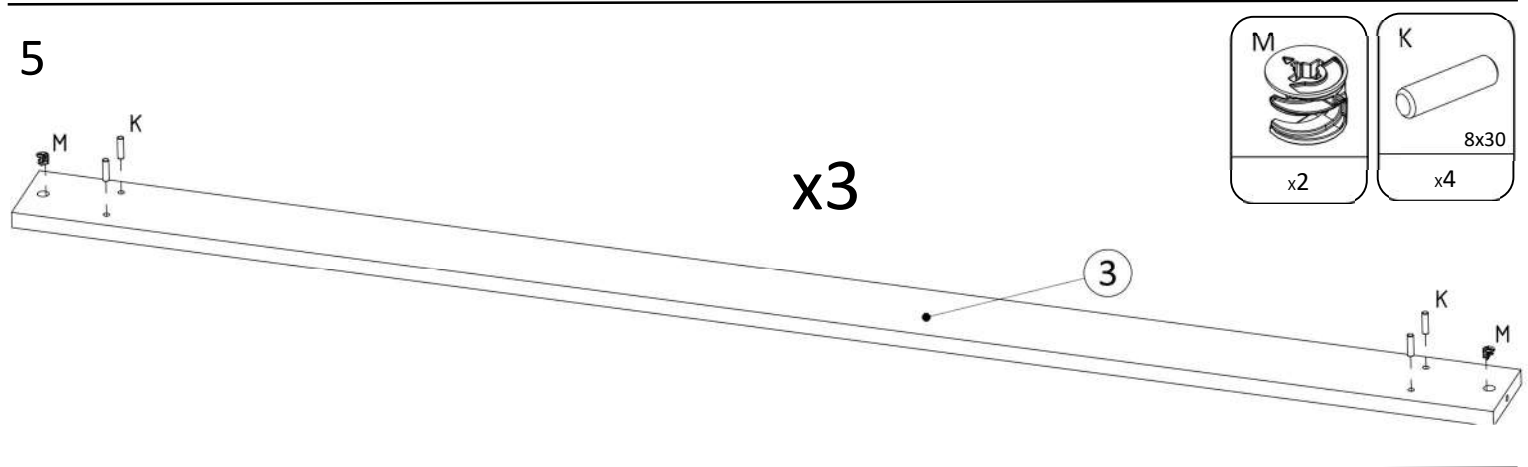
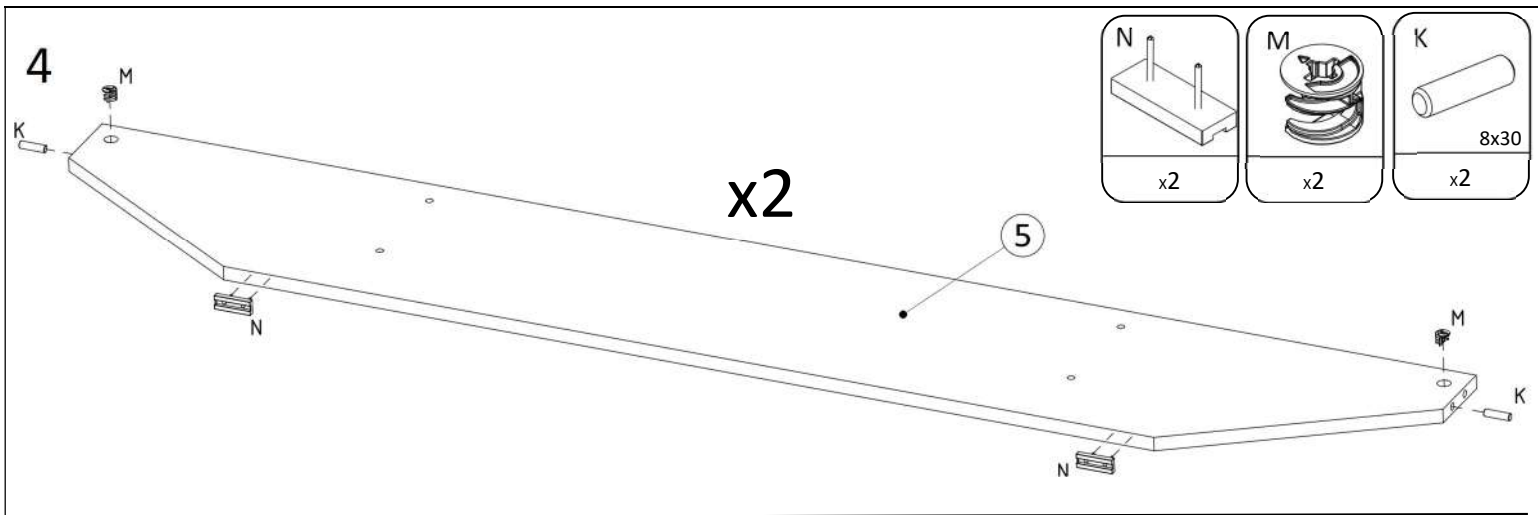


2

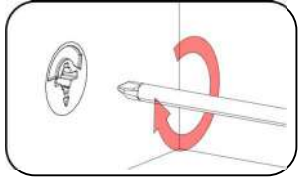
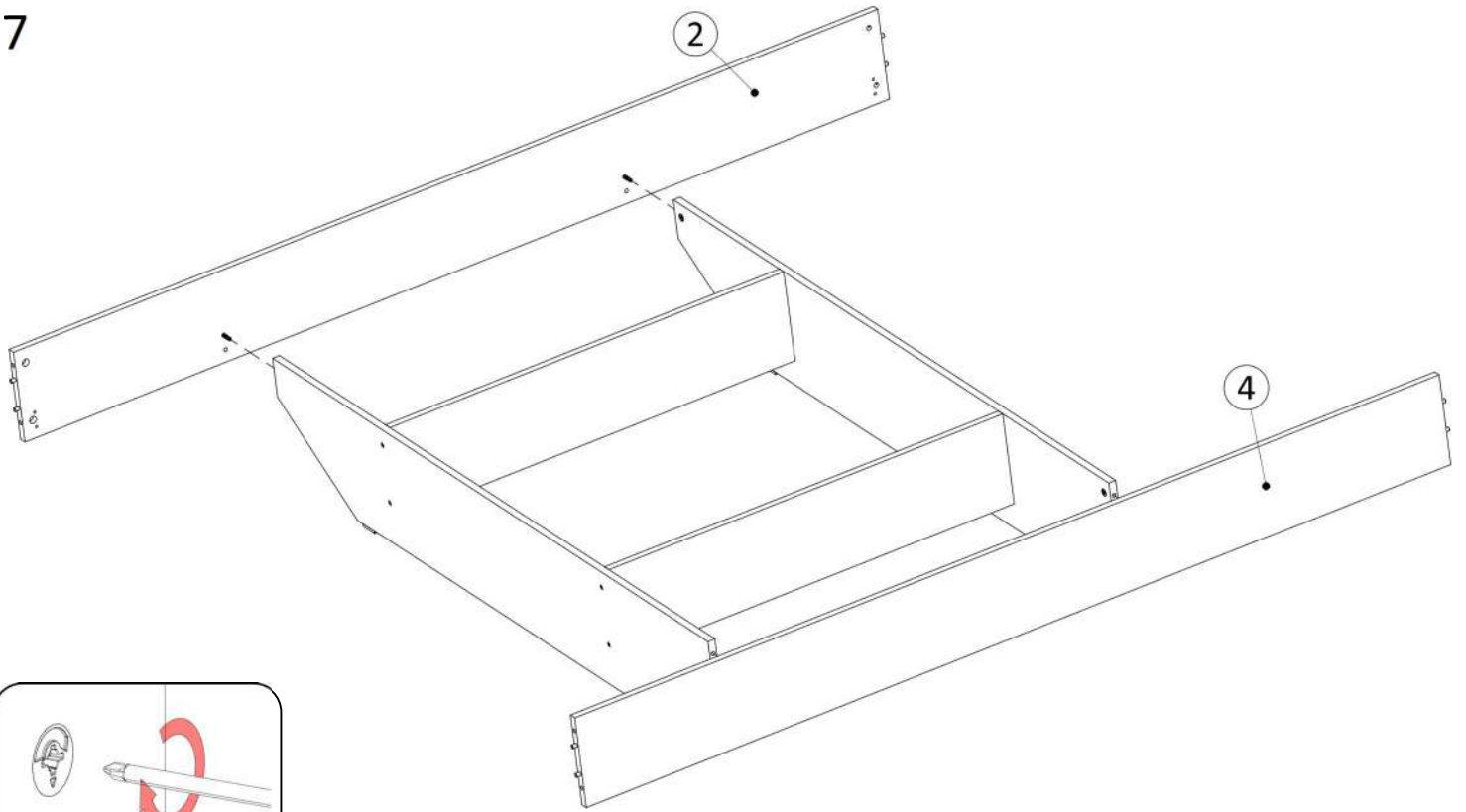


3

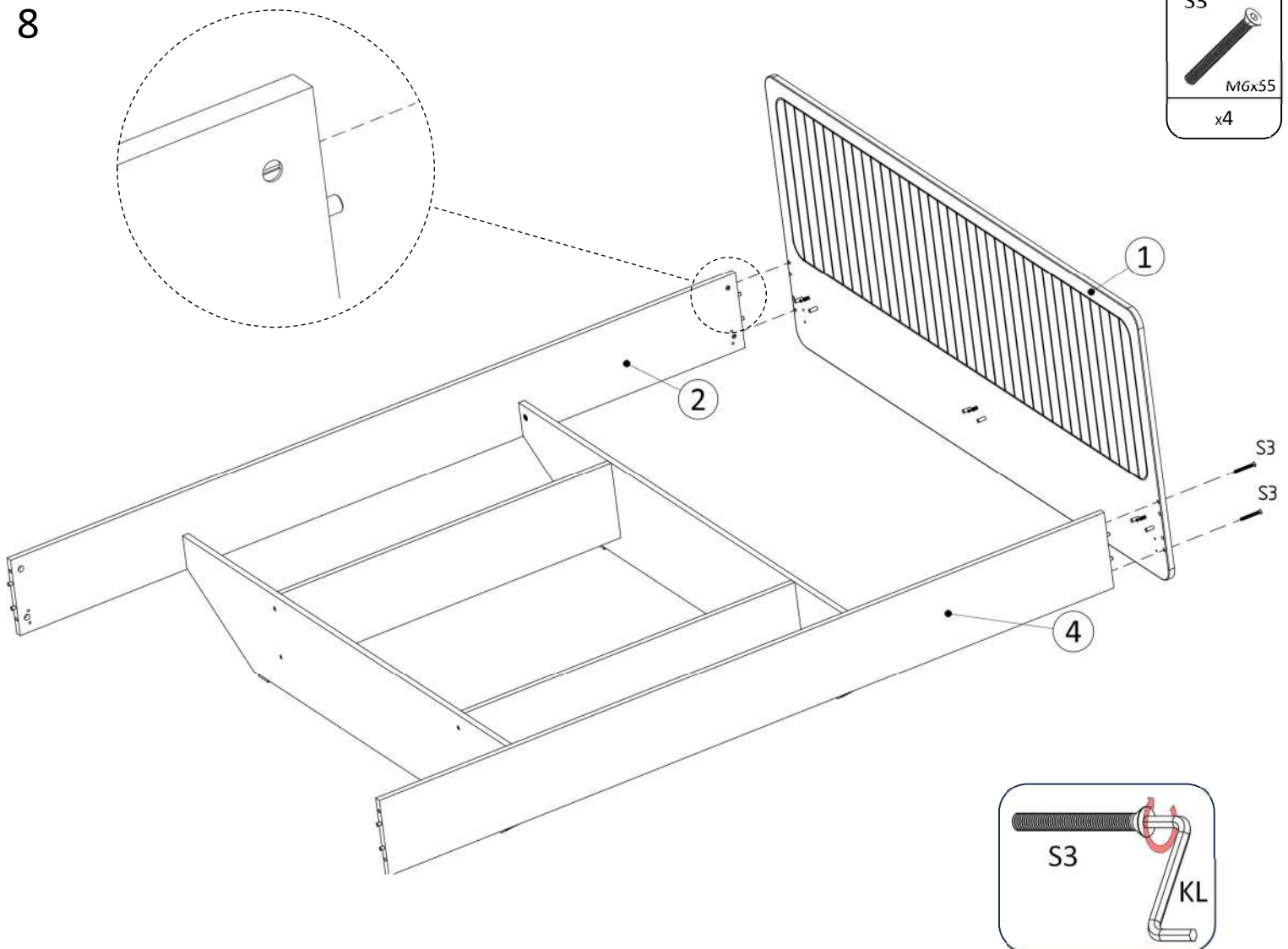




7



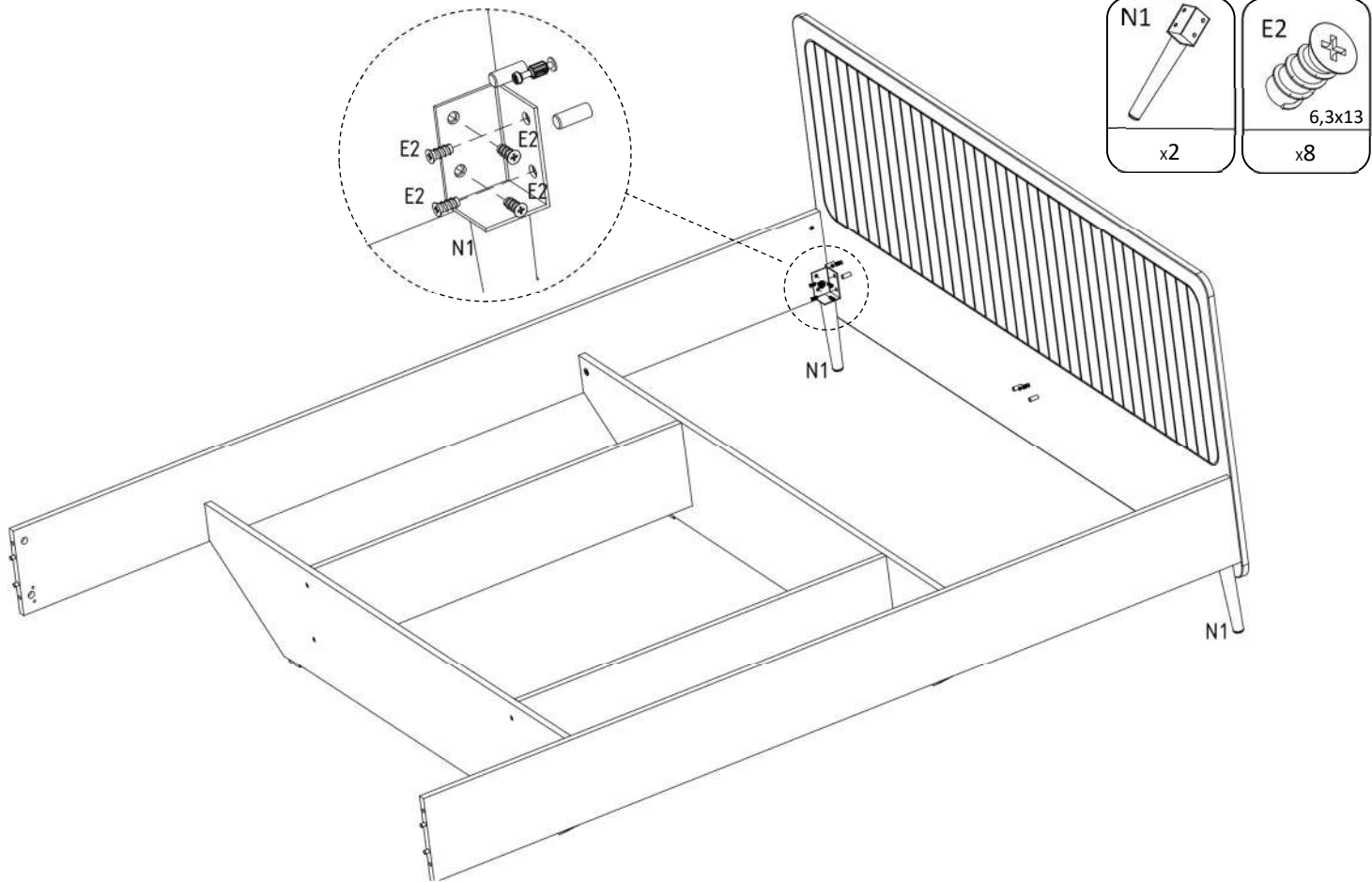
8



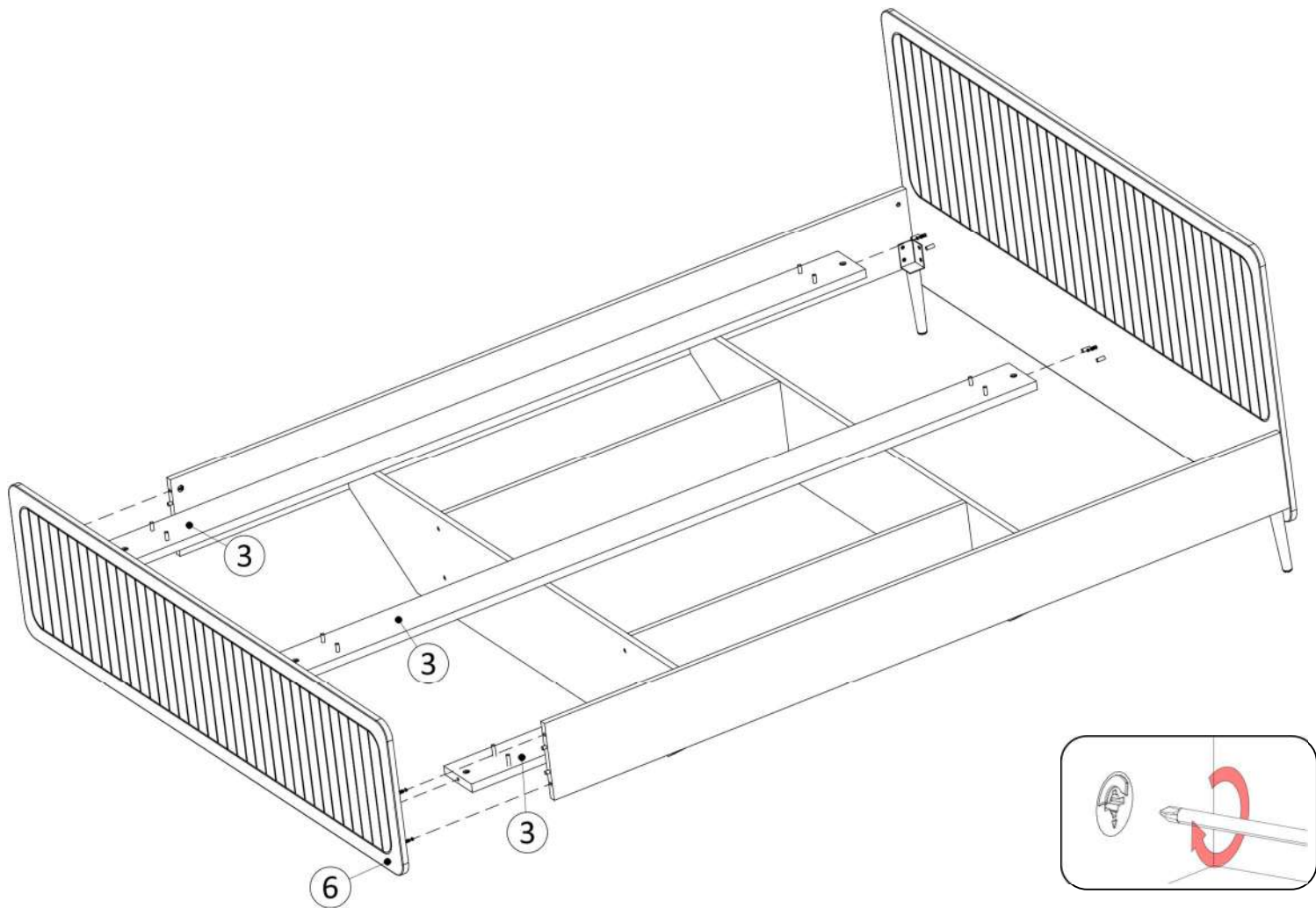
S3
M6x55
x4

S3
KL

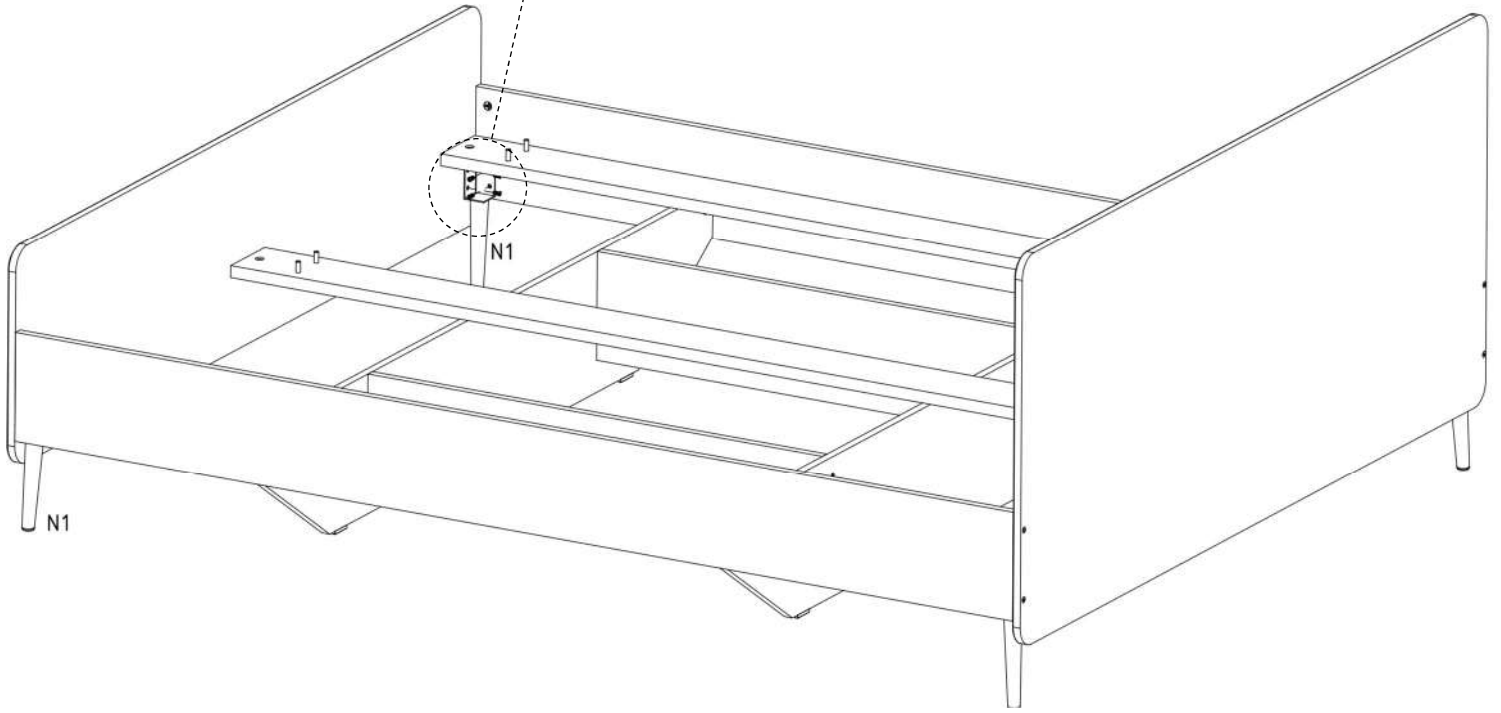
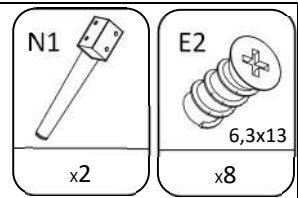
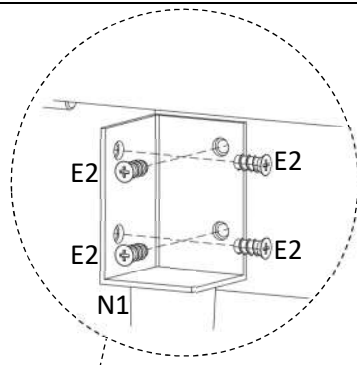
9



10



11



12

