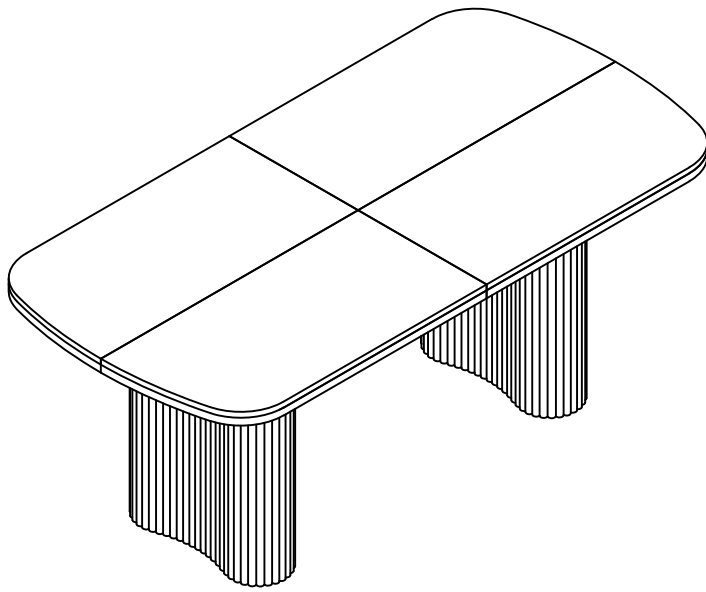





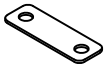





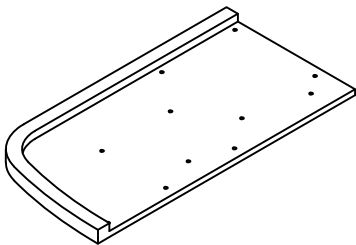


# ASSEMBLY INSTRUCTION



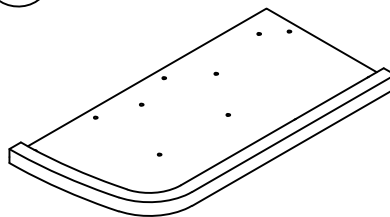
A		B	
8*16	4pcs	8*50	4pcs
C		D	
Ø50	8pcs	8*18	28pcs
E		F	
M5	1pcs		2pcs
G		H	
8*30	24pcs	8*45	20pcs
I		J	
6*16	48pcs	M4	1pcs
K			
7*37	8pcs		

①



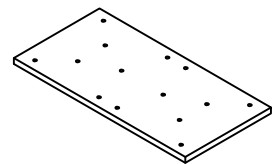
2pcs

②



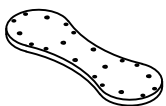
2pcs

③



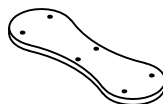
2pcs

④



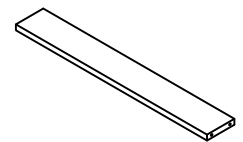
2pcs

⑤



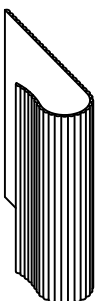
2pcs

⑥



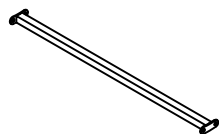
2pcs

⑦



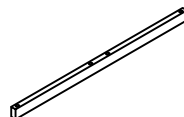
2pcs

⑧



12pcs

⑨



4pcs

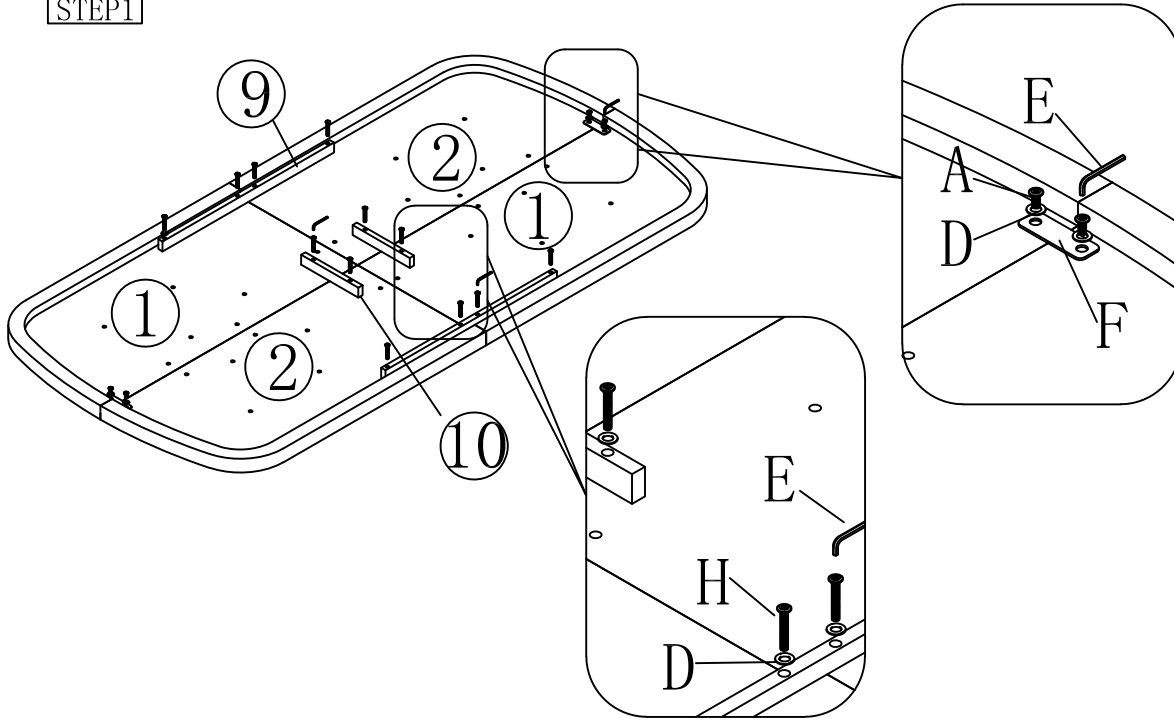
⑩



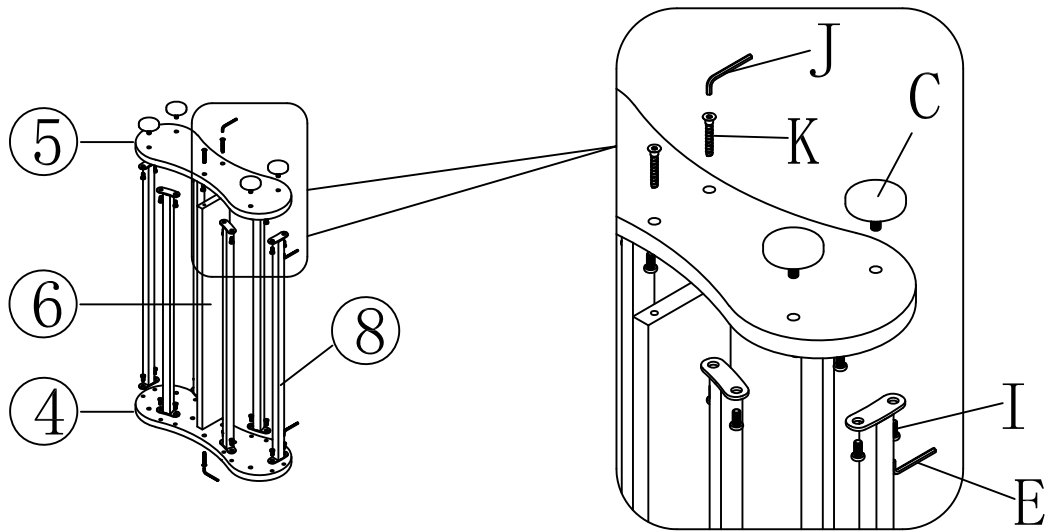
2pcs

# ASSEMBLY INSTRUCTION

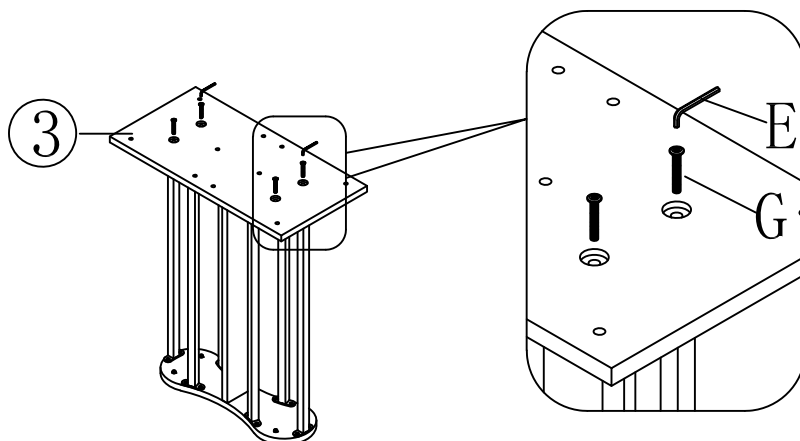
STEP1



STEP2

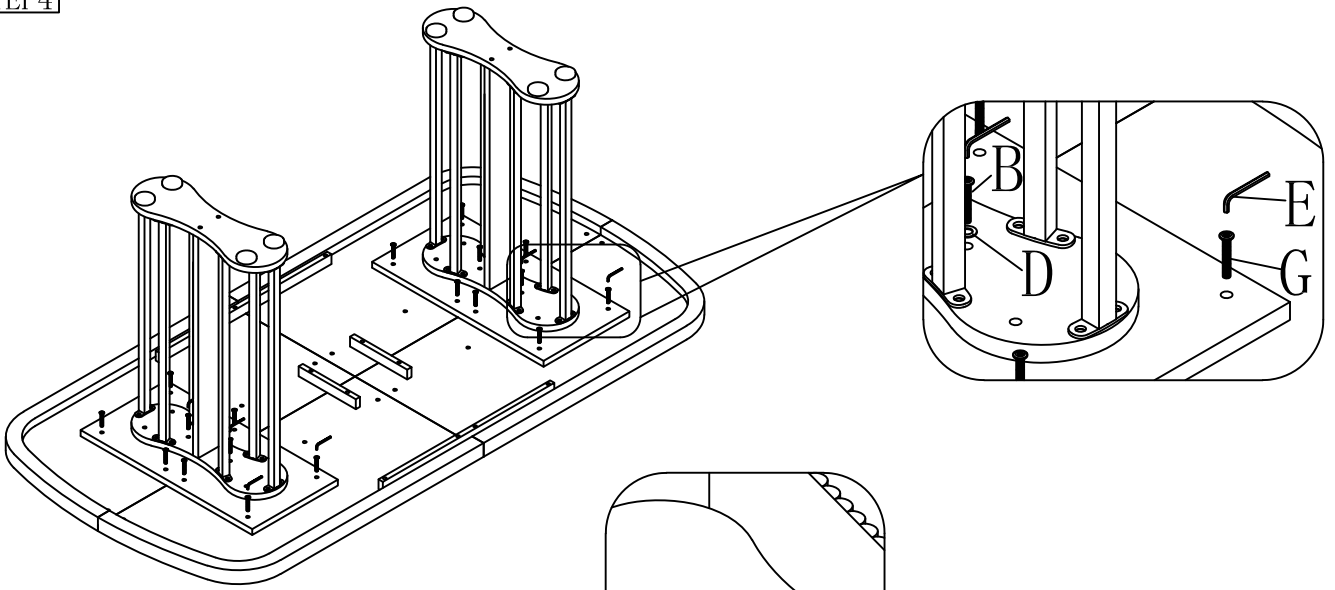


STEP3

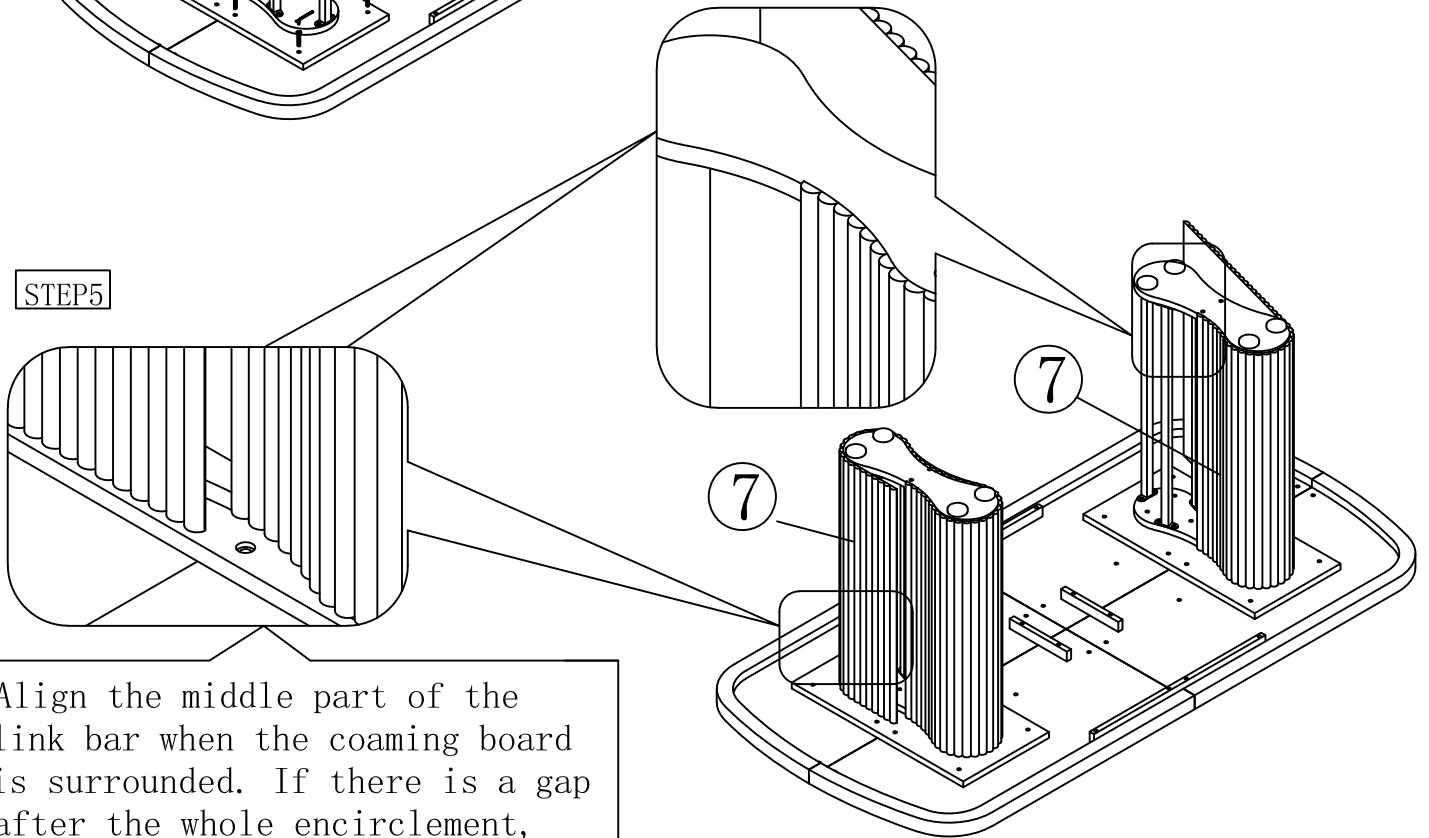


# ASSEMBLY INSTRUCTION

STEP4



STEP5



Align the middle part of the link bar when the coaming board is surrounded. If there is a gap after the whole encirclement, please open it and straighten it and re-wrap it.

STEP6

