

ASSEMBLY INSTRUCTION

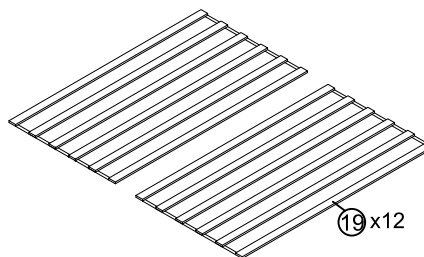
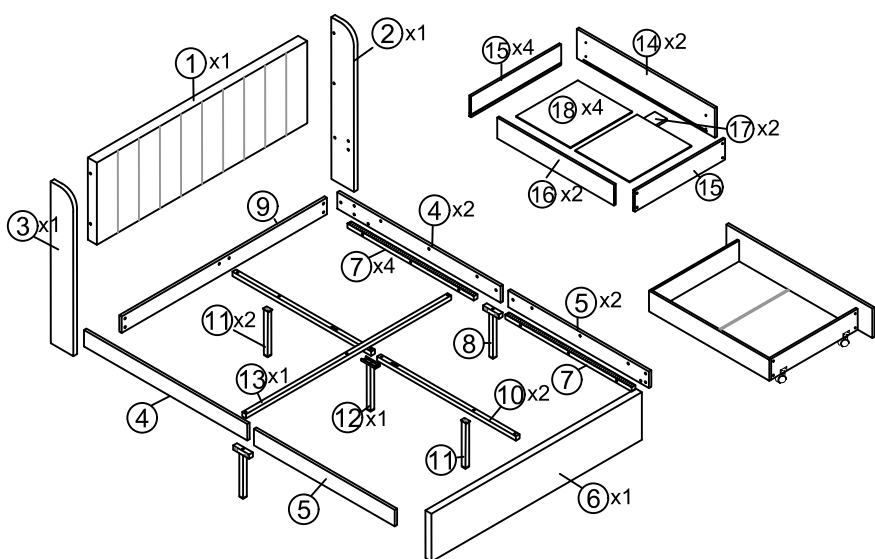
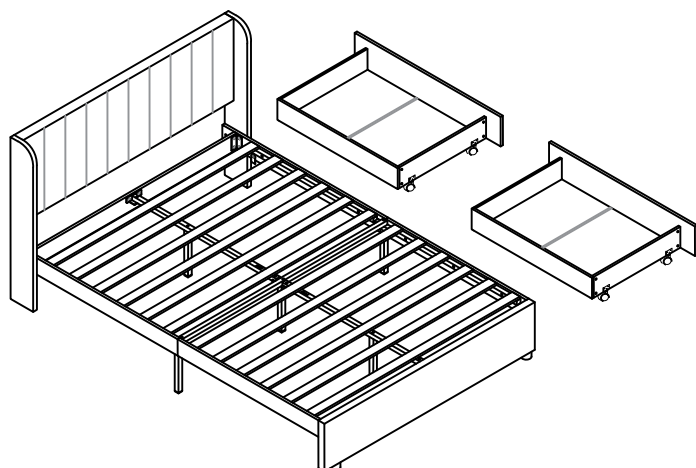
Item Number : WF299852AAG / WF299852AAS
WF299853AAG / WF299853AAS



TIPS

1. Please read the instructions fully before assembly. These instructions include important information which could ensure correct assembly. We have been working on providing high quality products for you. However, in the rare instance that your product is defective, missing parts or there are some issues, please don't hesitate to contact our customer service to submit parts requirements, assembly suggestion, or warranty claims, and we will give the best solution as soon as possible. If necessary, we need you to provide some more clear pictures of the issue.

2. Insert the screws in holes and tighten the screws, but not too tight, 70%~80% is ok, finally tighten all the screws. If some issues happened that some screws can not target to the hole or some parts are difficult to install, please adjust the tightness of the screws.

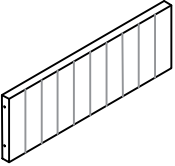
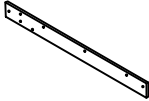
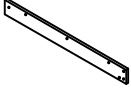




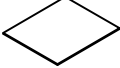
3. 2 people are recommended to finish





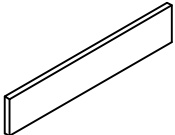


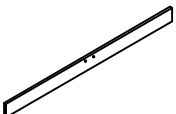
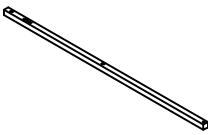



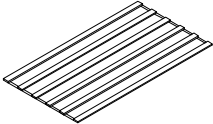
Parts List			Hardware List		
NO	ITEM	QTY	NO	ITEM	QTY
1	Head board	1	A	Allen Key 	1
2	Side head board	1	B	Bolts (M8x40mm) 	35
3	Side head board	1	C	Washer 	10
4	Siderails	2	D	Bolts (M8x18mm) 	18
5	Siderails	2	E	Nails (M4x50mm) 	2
6	Foot board	1	F	Bed legs 	2
7	Side rails support bar	4	G	"7" Connector 	4
8	Side rails support legs	2	H	Center support bar fittings 	2
9	Cross board	1	I	Drawer fittings 	24
10	Center support bar	2	J	Drawer fittings 	24
11	Middle support leg	2	K	Nails (M3x12mm) 	24
12	Connected support leg	1	L	Drawer wheel 	8
13	Cross bar	1	M	Stopper 	2
14	Drawer outer board	2	N	Seal strip 	2
15	Drawer board	4			
16	Drawer board	2			
17	Drawer support bar	2			
18	Drawer bottom board	4			
19	Slats	12			

Part List

WF299852AAG / WF299852AAS

<p>1</p>  <p>Head board-1pc</p>	<p>4</p>  <p>Side rails-2pcs</p>	<p>5</p>  <p>Side rails-2pcs</p>
<p>14</p>  <p>Drawer outer board-2pcs</p>	<p>15</p>  <p>Drawer board-4pcs</p>	<p>16</p>  <p>Drawer board-2pcs</p>
<p>17</p>  <p>Drawer support bar-2pcs</p>	<p>18</p>  <p>Drawer bottom board-4pcs</p>	

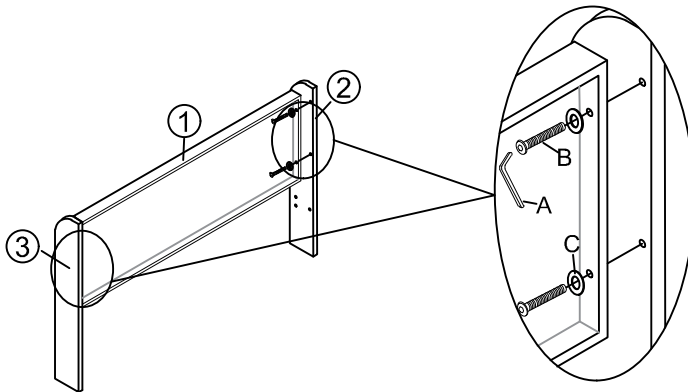
Hardware List+WF299853AAG / WF299853AAS




<p>2</p>  <p>Side head board -1pc</p>	<p>3</p>  <p>Side head board -1pc</p>	<p>6</p>  <p>Foot board -1pc</p>
<p>7</p>  <p>Side rails support bar-4pcs</p>	<p>8</p>  <p>Side rails support legs-2pcs</p>	<p>9</p>  <p>Cross board-1pc</p>
<p>10</p>  <p>Center support bar-2pcs</p>	<p>11</p>  <p>Middle support leg-2pcs</p>	<p>12</p>  <p>Connected support leg-1pc</p>
<p>13</p>  <p>Cross bar-1pc</p>	<p>19</p>  <p>Slats-12pcs</p>	

Attention: Do not tighten the screws before completing the entire installation. If you have any difficulty with the installation process, please feel free to contact us.

Step 1 x2

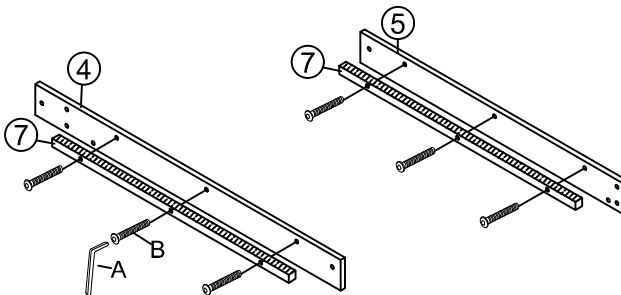
Fix the side side headboard ② and ③ To the headboard ① With bolts B and Washers C by using Allen key A





A Allen Key x 1 	B Bolts x 4 M8X40mm 	C Washer x 4 
--	---	---

Step 2 x2

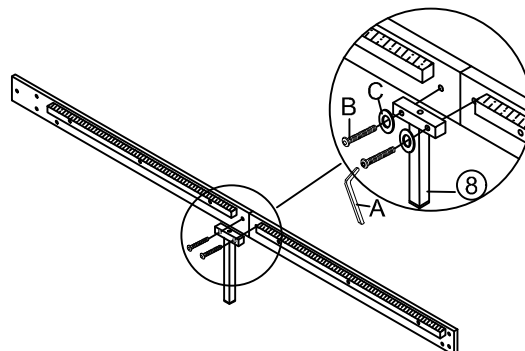
Connect to Siderail support bar ⑦ Siderails ④ and ⑤ with Bolts D by using Allen key A.






B Bolts x 12 M8X40mm 	Allen Key 
--	--

Step 3 x2

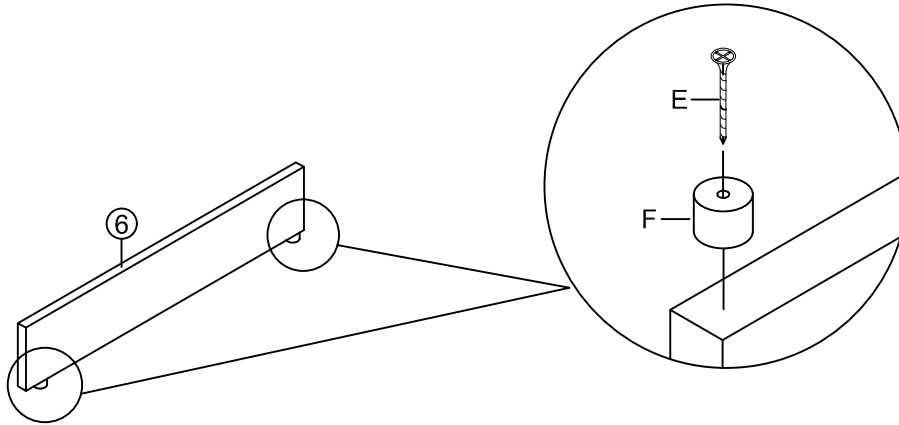
Fix the side rails support leg ⑧ to the assembled side rail With bolts B and Washer C by using Allen key A



Allen Key 	B Bolts x 4 M8X40mm 	C Washer x 4 
--	---	---

Step 4 x2

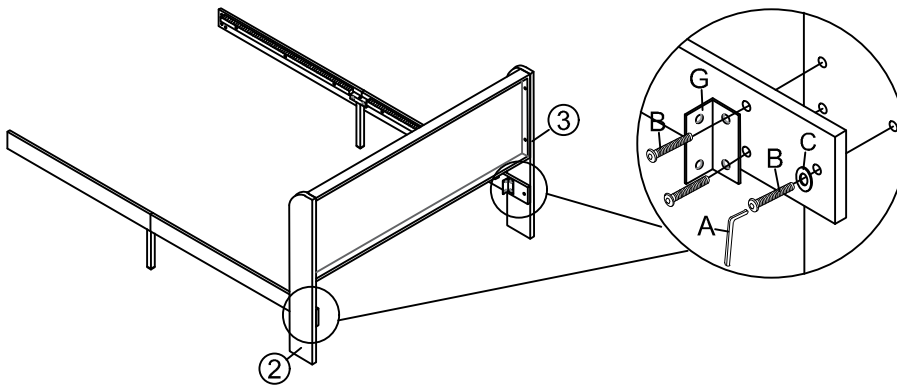
Fix the legs F To the foot board ⑥ With Nails E by using electric drill or screw driver



E Nails x2 M4X50mm	F Bed legs x2
-----------------------	---------------

Step 5 x2

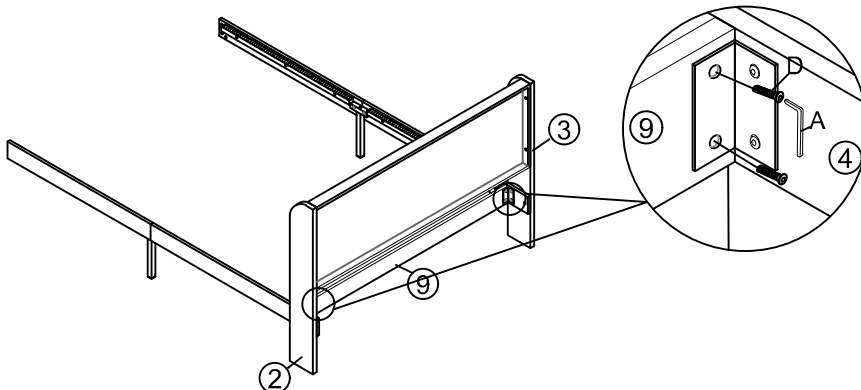
Fix the assembled side rail to the side headboard ② and ③ with "7" Connector G, Bolts B and Washer C by using Allen Key A.



Allen Key	B Bolts x 6 M8X40mm	C Washer x 2	G "7" Connector x 2
-----------	------------------------	--------------	---------------------

Step 6 x2

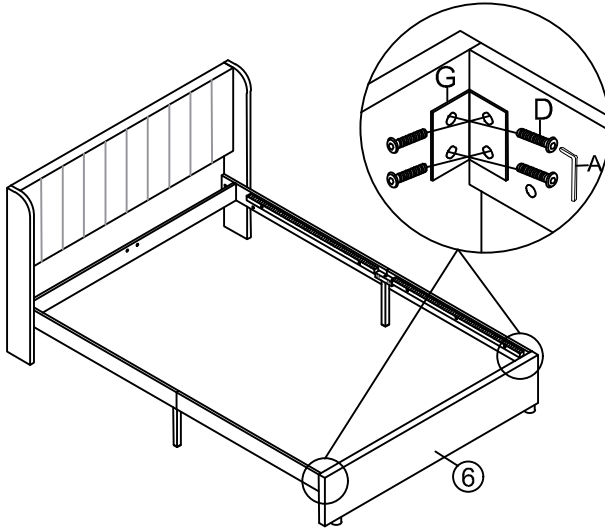
Fix the Cross board ⑨ to the side headboard ② and ③ with "7" Connector G and Bolts D, by using Allen Key A.






Allen Key	D Bolts x 4 M8X18mm
-----------	------------------------

Step 7

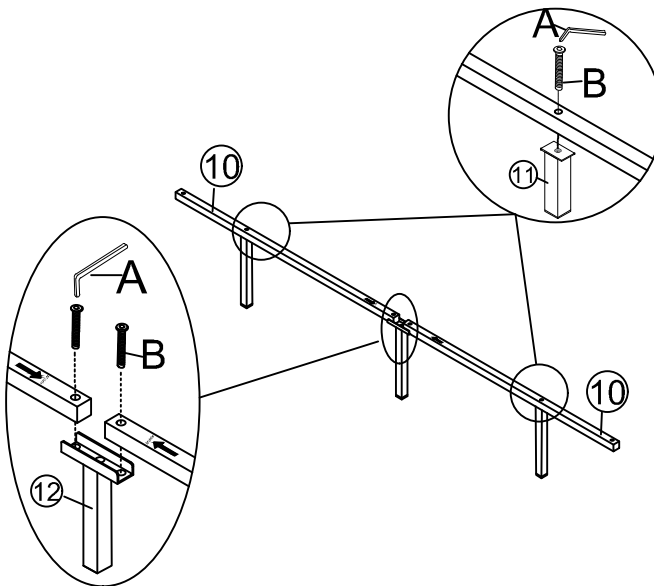
Fix the assembled side rail to the foot board ⑥ With bolts D and "7" Connector G by using Allen key A





Allen Key 	D Bolts x 8  M8X18mm	G "7" Connector x 2 
--	---	--

Step 8

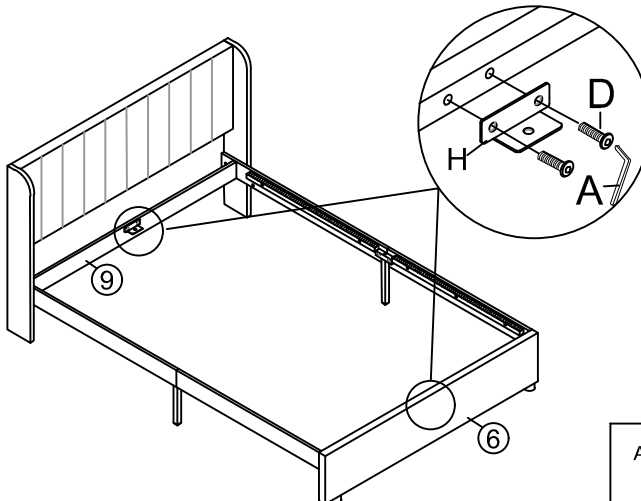
Fix the middle support leg ⑪ to the center support bar ⑩ With bolts B by using Allen key A. Fix the connected support leg ⑫ to the center support bar With bolts B by using Allen key A






Allen Key 	B Bolts x 4  M8X40mm
--	---

Step 9

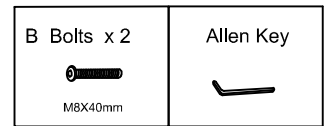
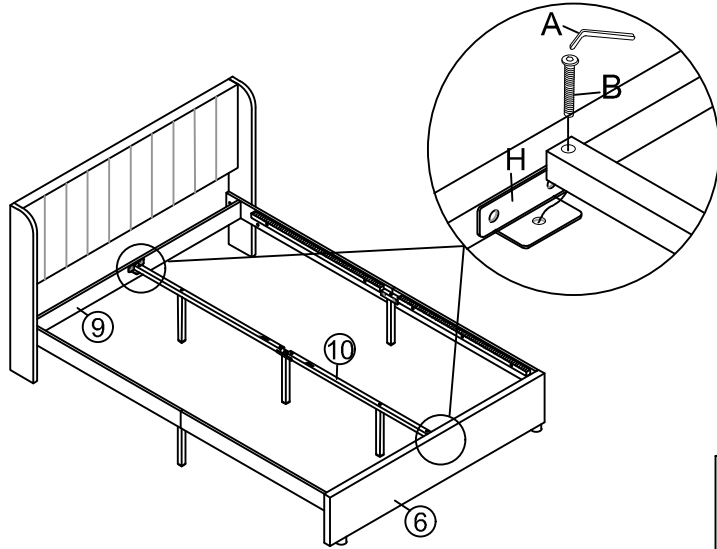
Fix the Center support bar fittings H to the Headboard cross bar ⑨ and foot board ⑥ with Bolts D by using Allen key A



Allen Key 	D Bolts x 4  M8X18mm	H Center support bar fittings x 2 
---	---	--

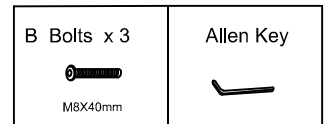
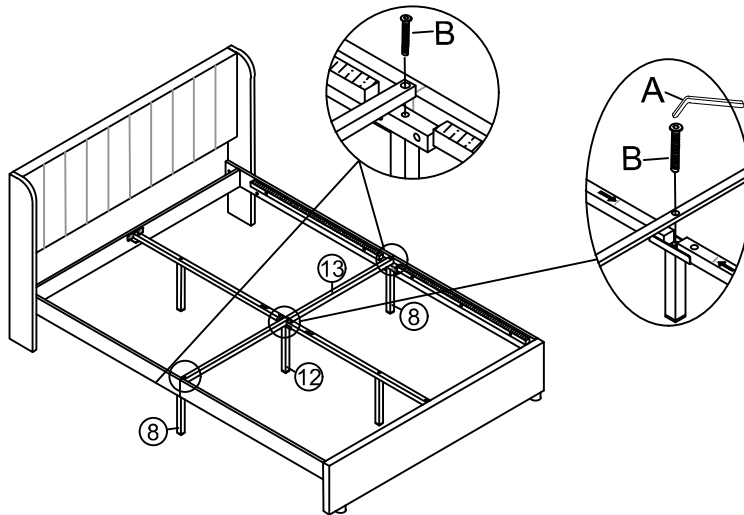
Step 10

Fix the Center support bar ⑩ to the headboard cross bar ⑨ and foot board ⑥ with Bolts B by using Allen key A



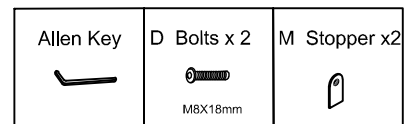
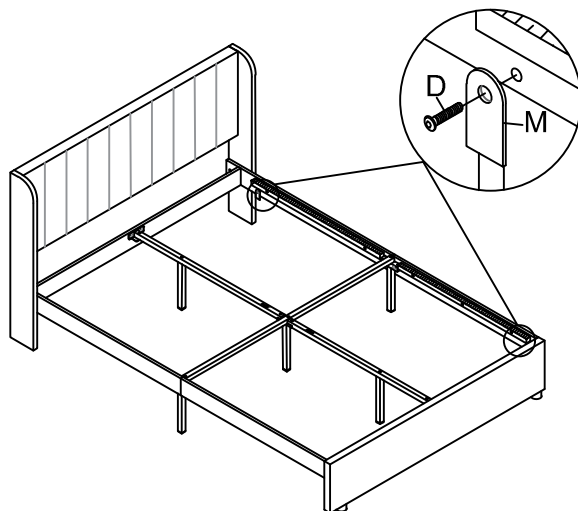
Step 11

Fix the cross bar ⑬ to the side rails support legs ⑧ and Connected support legs ⑫ with Bolts B by using Allen key A



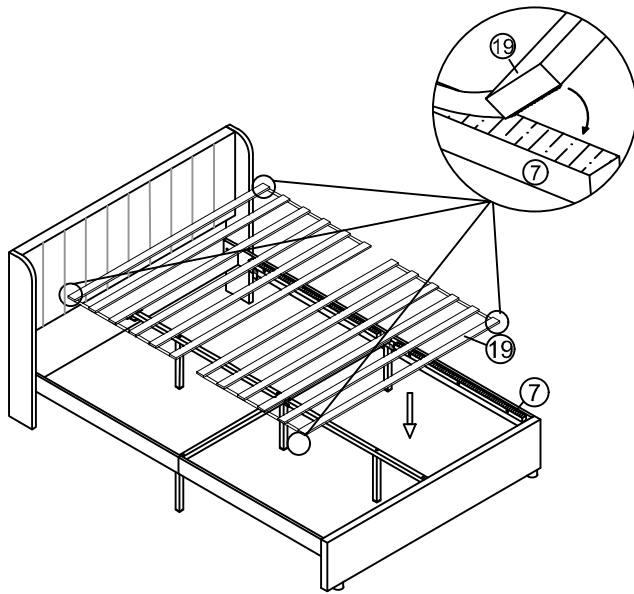
Step 12

Fix the stopper M To the Siderails with Bolts D by using Allen key A, you can chose right side or left side according to your requirements.



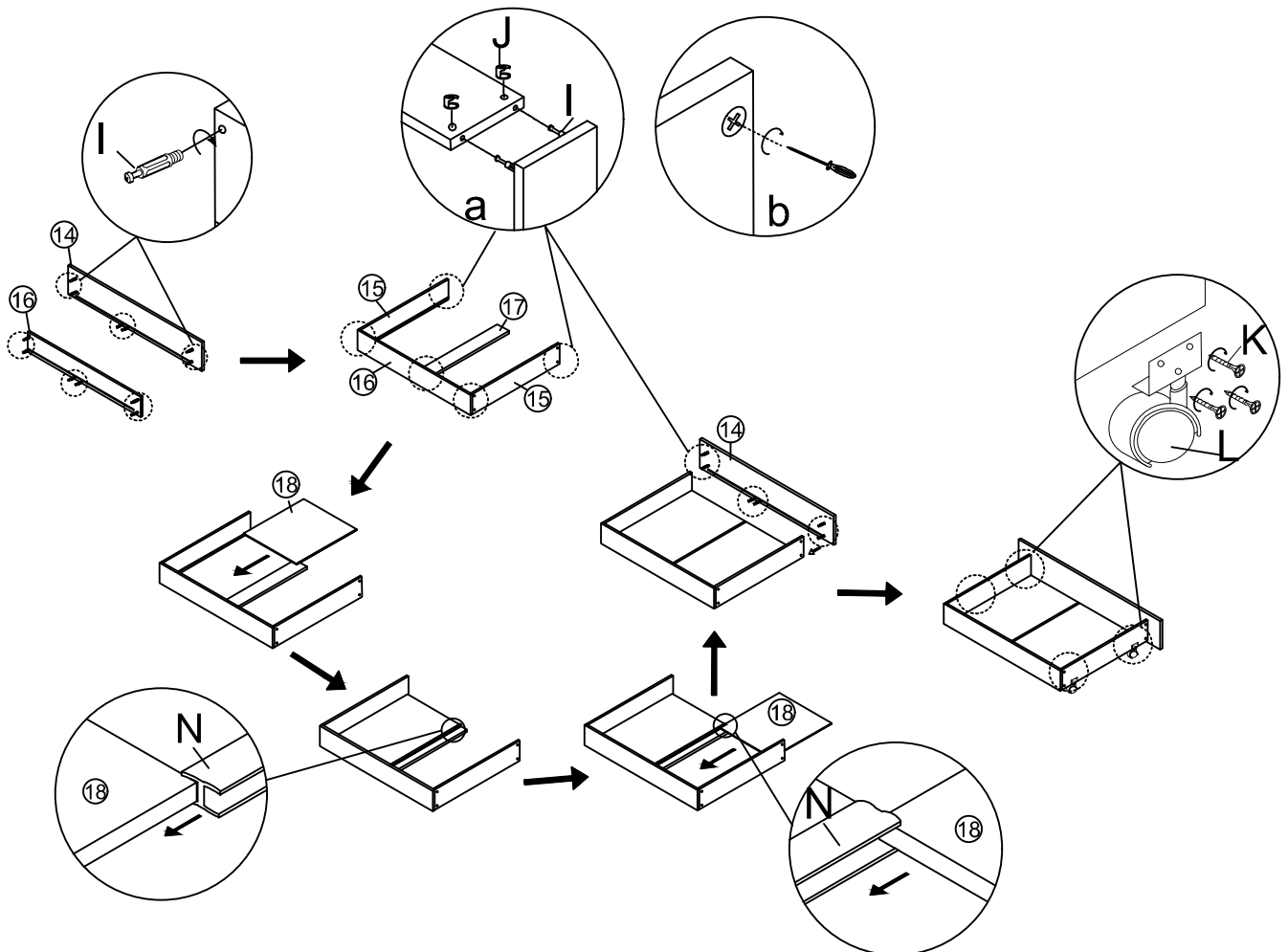
Step 13






Fix the slats 19 to the side support bar 7



Step 14 x2

Assembled the drawer with drawer fittings I and J, Connect to the Drawer bottom board 18 with Seal strip N, fix the drawer wheel L with nails K by using electric drill or screw driver



I Drawer fittings x 24	J Drawer fittings x 24	K Nails x 24 M3X12mm	L Drawer wheel x 8	N Seal strip x2
				

Step 15

Push the two drawers into the bed then assembled is finished, now please tighten all hard ware and enjoy the bed

