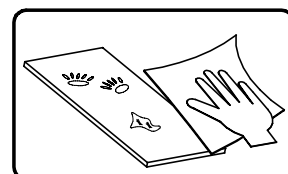
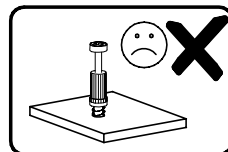
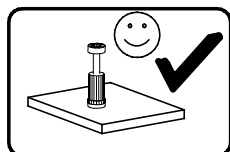
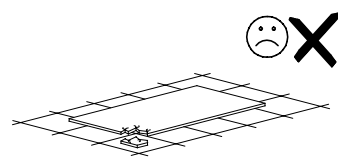
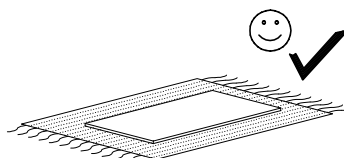
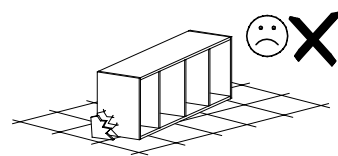
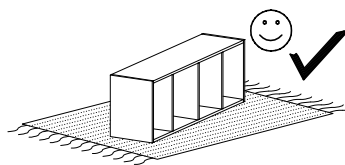
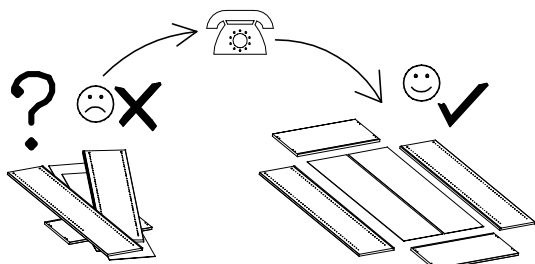
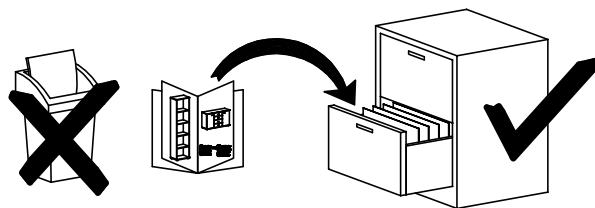
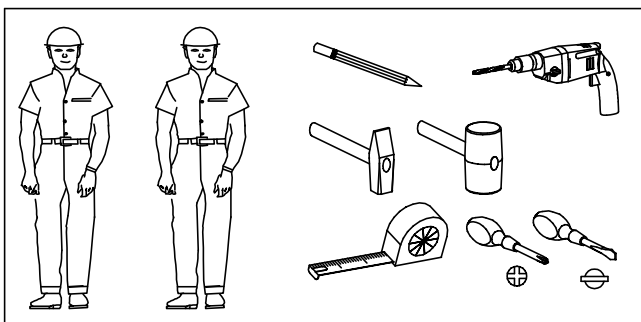
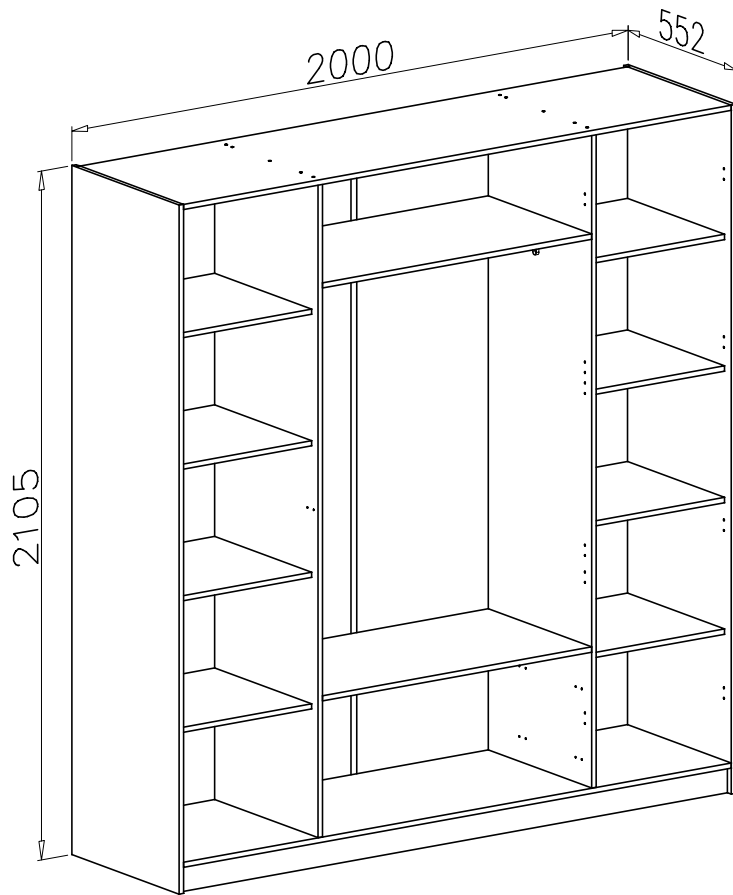
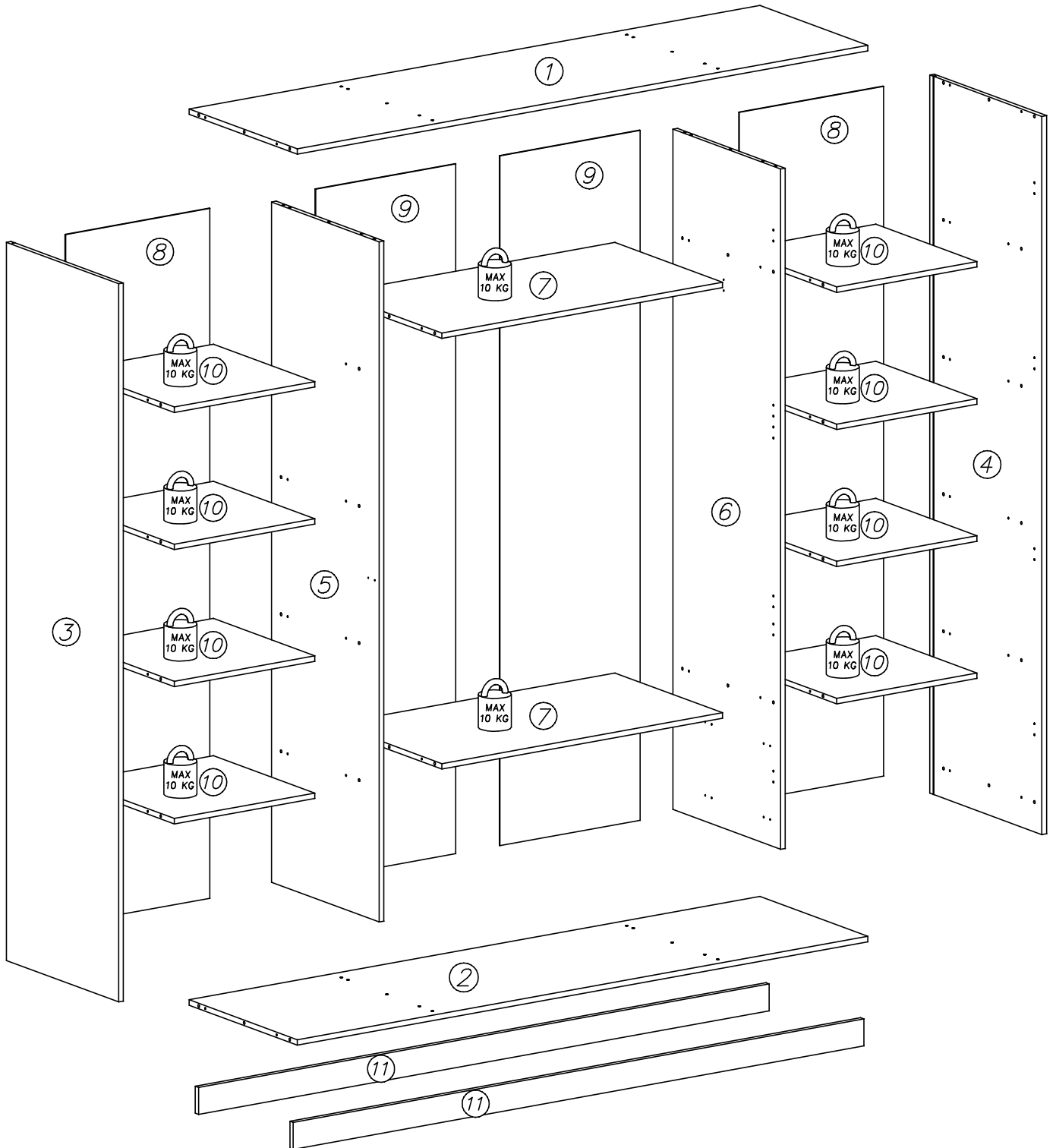
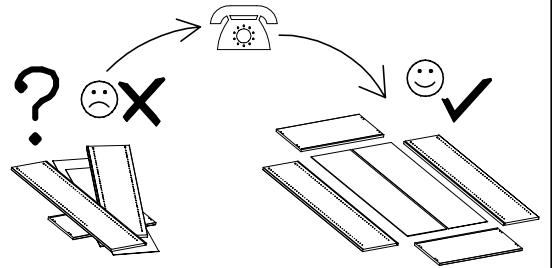
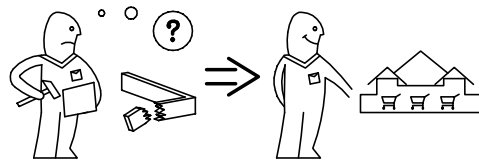
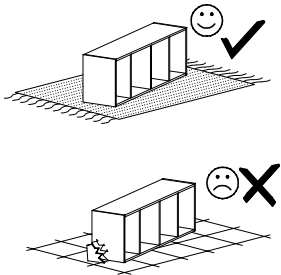
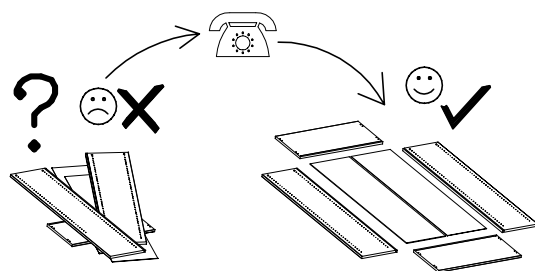
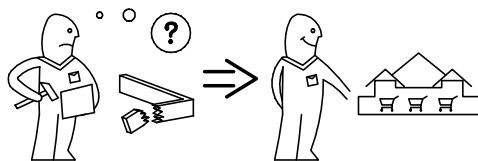
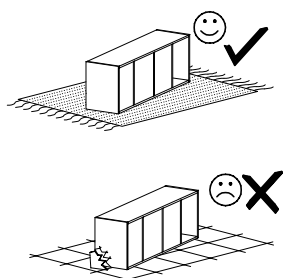


# AURORA szafa

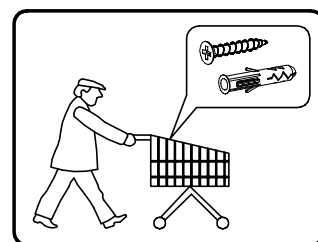





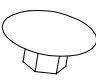
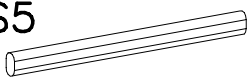

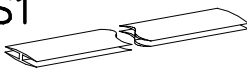
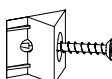

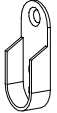
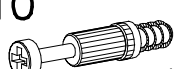

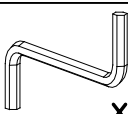
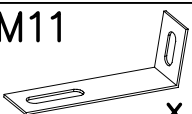

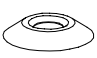
# AURORA szafa

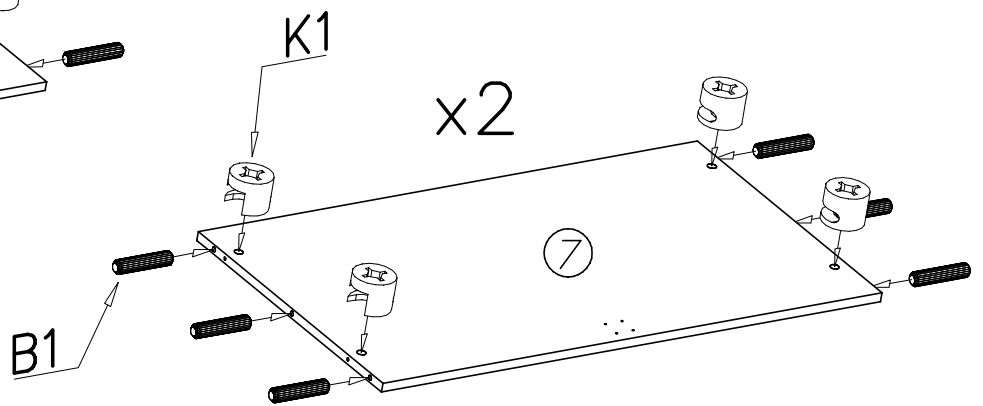
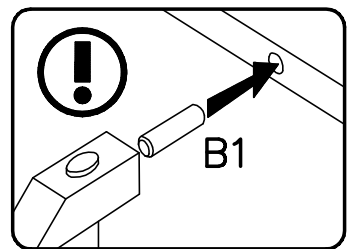
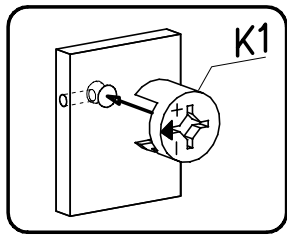
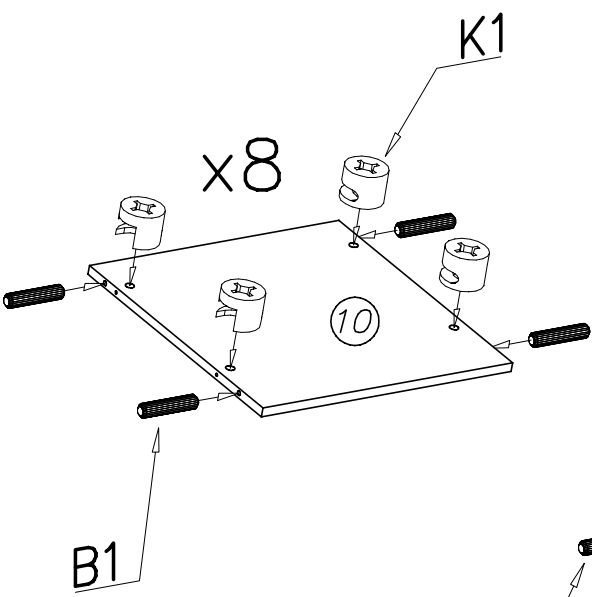
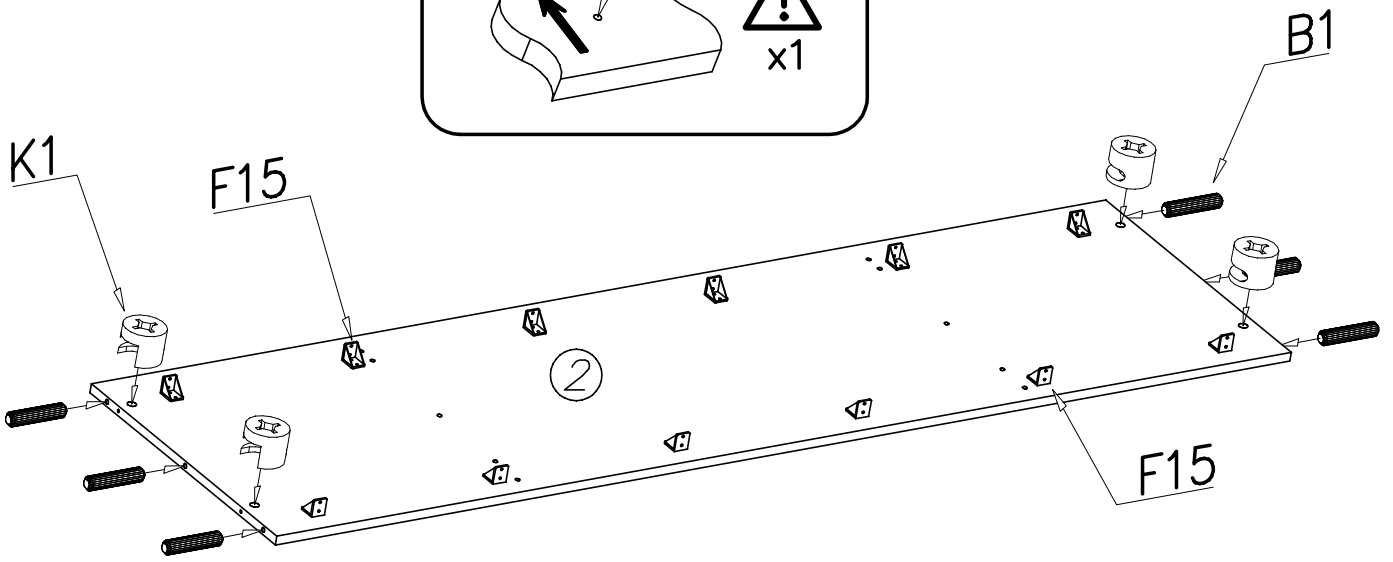
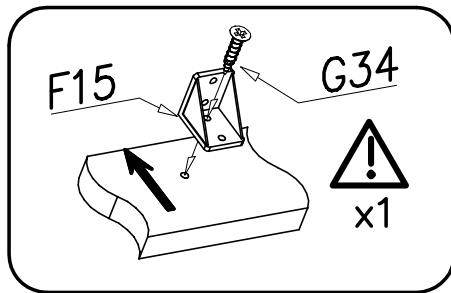
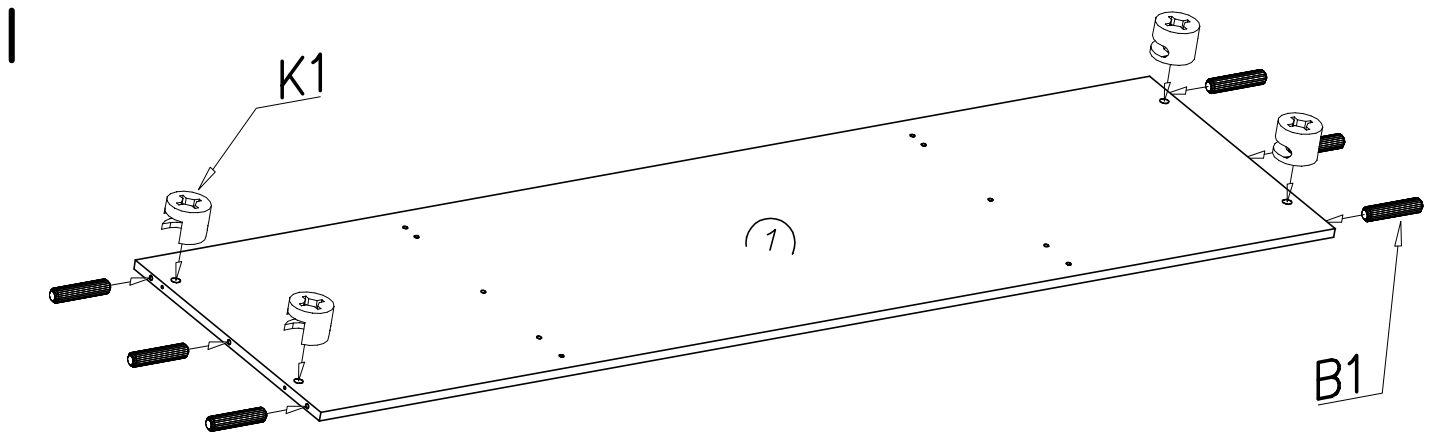




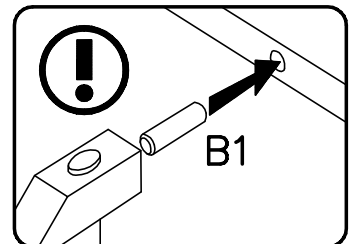
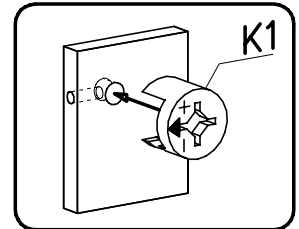
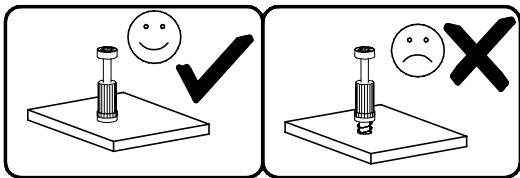
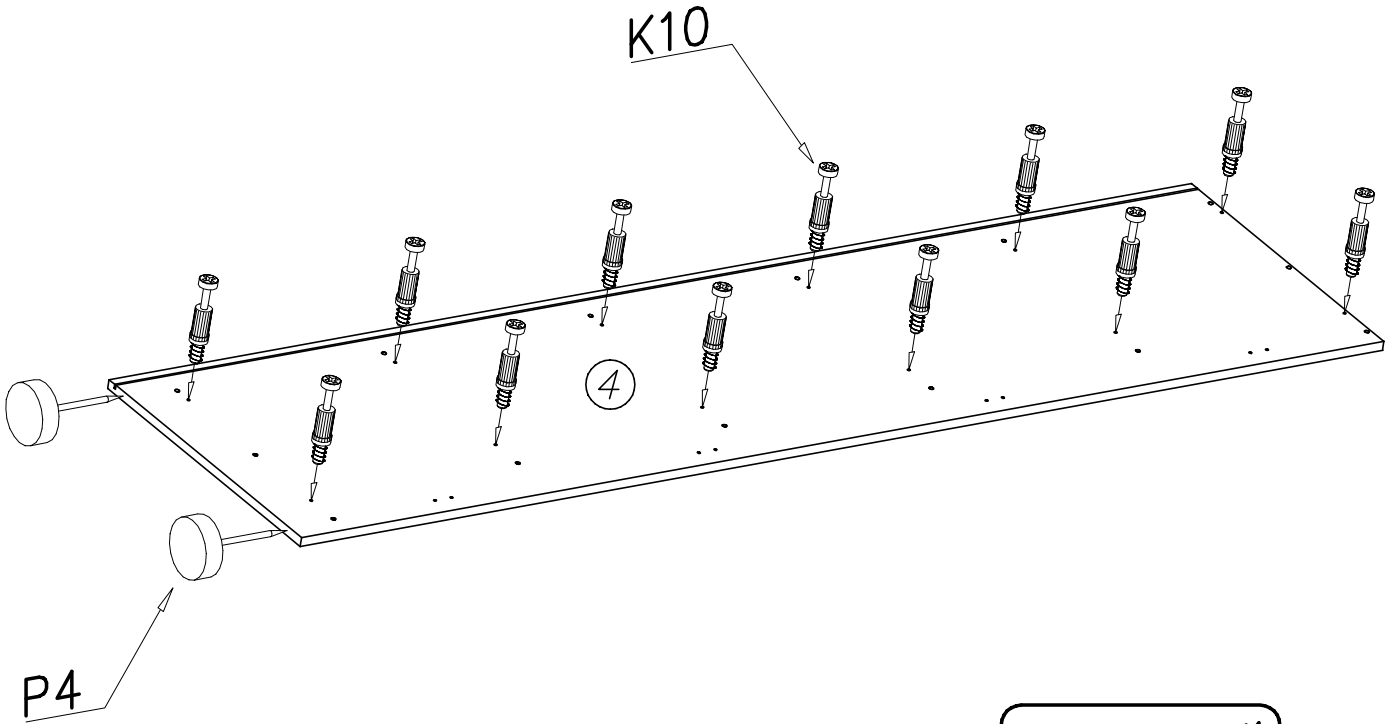
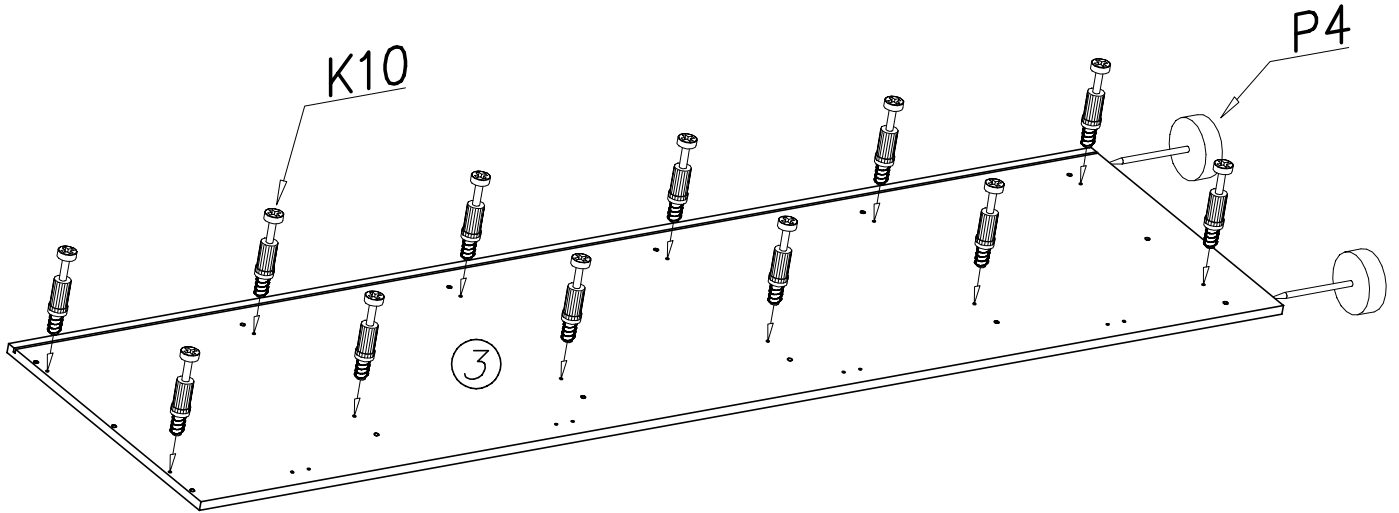
| nr | L[mm] | B[mm] | T[mm] | Menge |
|----|-------|-------|-------|-------|
| 1  | 532   | 1968  | 16    | 1     |
| 2  | 531   | 1968  | 16    | 1     |
| 3  | 2100  | 552   | 16    | 1     |
| 4  | 2100  | 552   | 16    | 1     |
| 5  | 1989  | 530   | 16    | 1     |
| 6  | 1989  | 530   | 16    | 1     |
| 7  | 530   | 968   | 16    | 2     |
| 8  | 2018  | 497   | 3     | 2     |
| 9  | 2018  | 490   | 3     | 2     |
| 10 | 484   | 498   | 16    | 8     |
| 11 | 1968  | 79    | 16    | 2     |



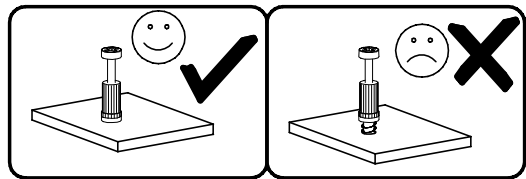
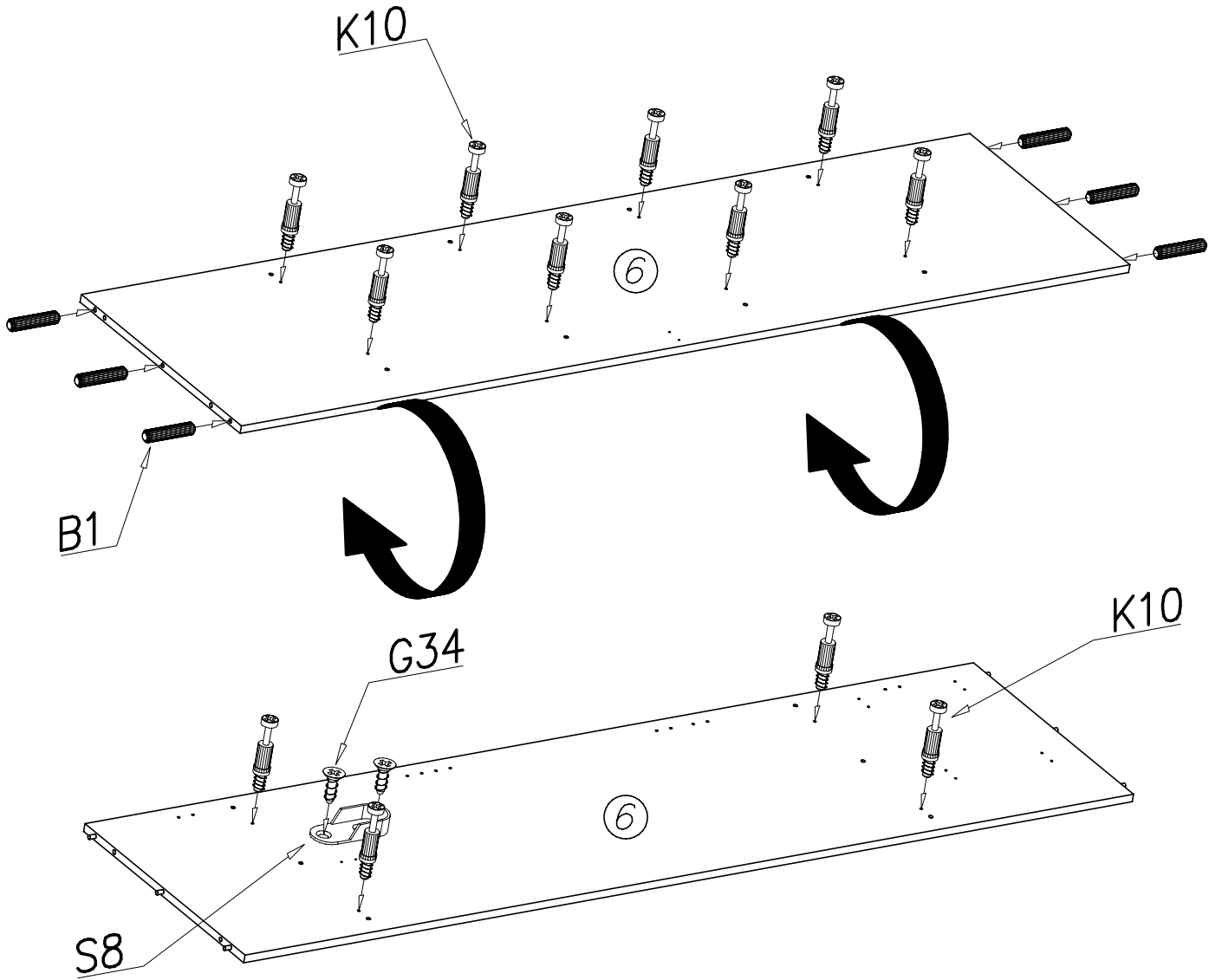
|  |   |  |  |   |
|--|---|--|--|---|
| P4<br><br>x...(8)         | G57<br><br>3,5x16 x...(72) | F15<br><br>x...(16) | I7<br><br>ø18 x...(48)  | S5<br><br>960mm x...(1)  |
| K1<br><br>ø15x12 x...(48) | S1<br><br>1988mm x...(1)   | I1<br><br>x...(10)  | A1<br><br>ø7x50 x...(8) | S8<br><br>x...(2)        |
| K10<br><br>x...(48)       | B1<br><br>ø8x35 x...(68)   | W2<br><br>x...(1)   | M11<br><br>x...(2)       | G2<br><br>3x20 x...(126) |
|  |   |  |  | S2<br><br>x...(36)       |



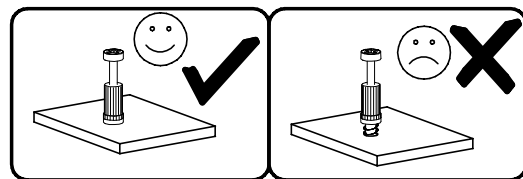
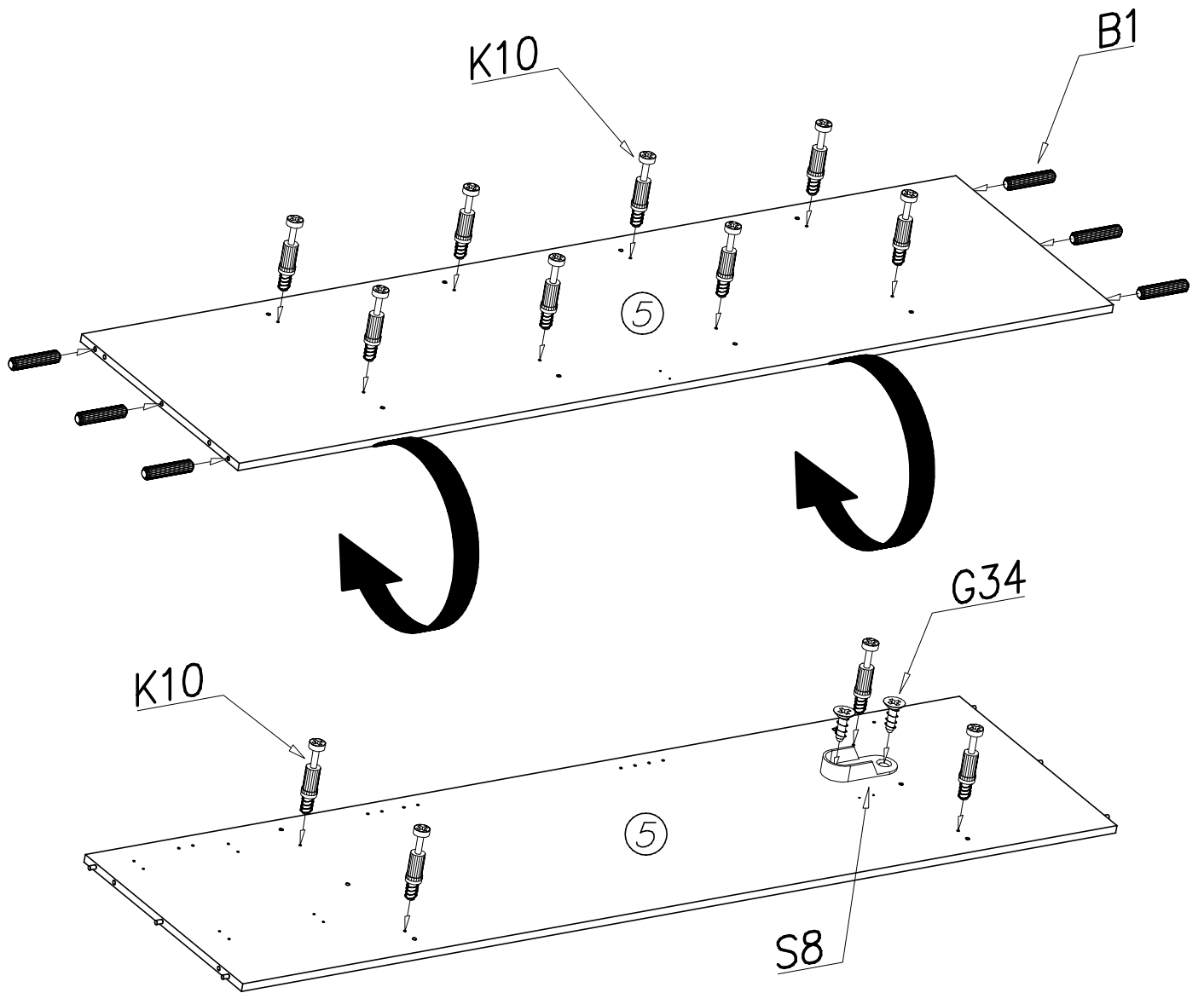
II



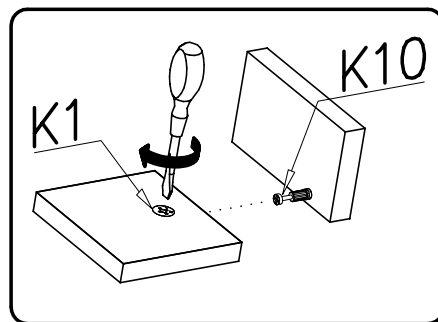
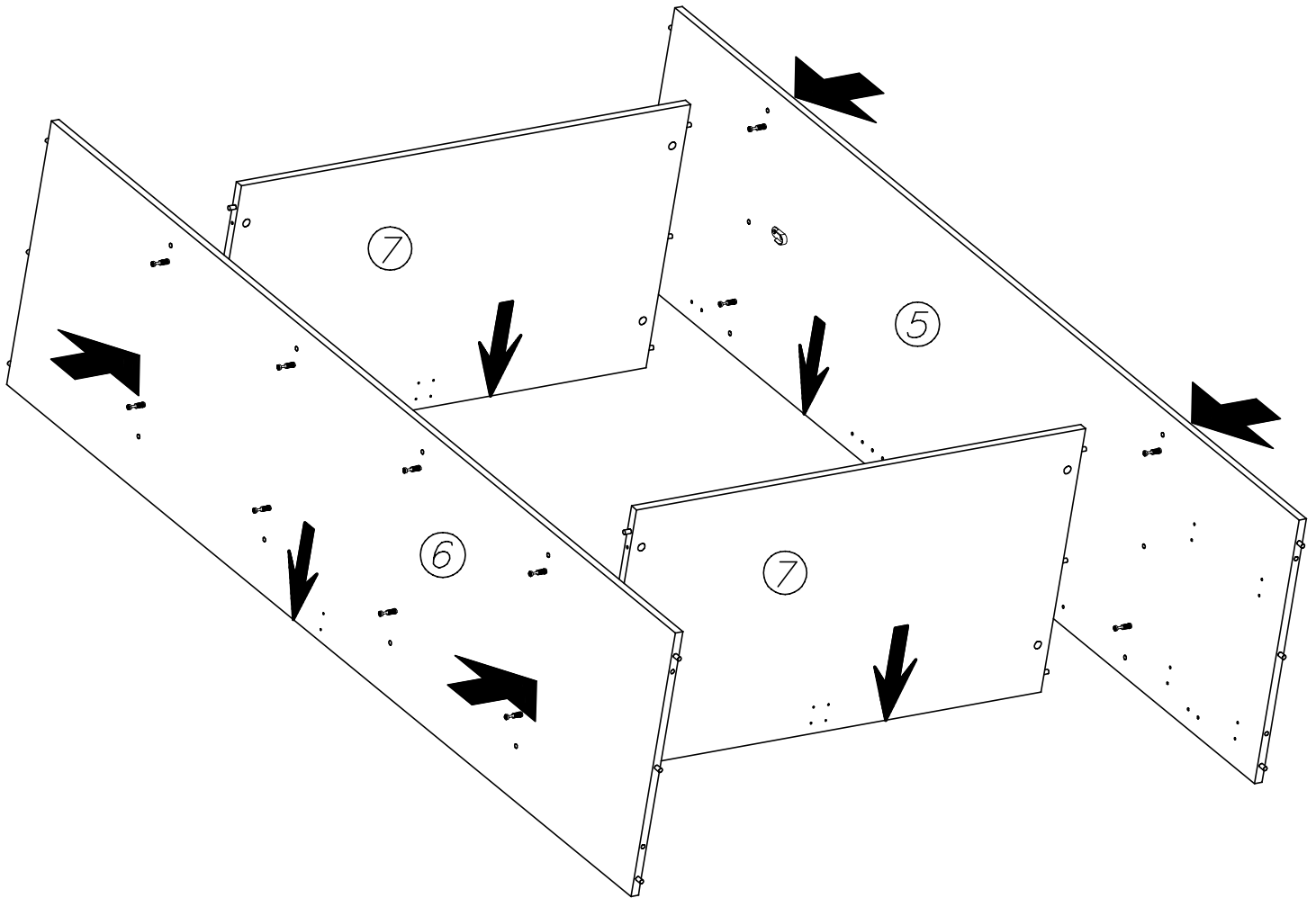
III



IV

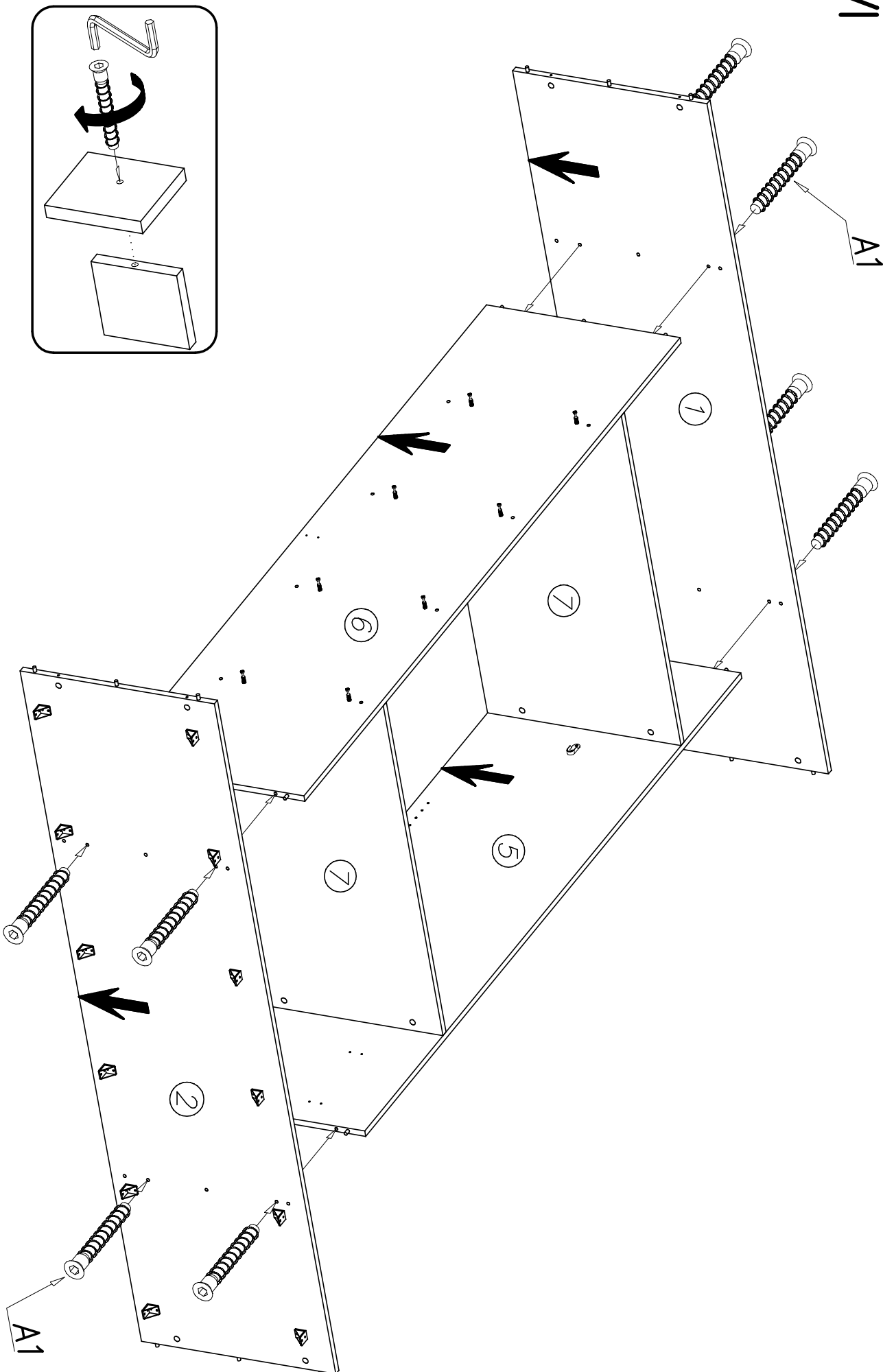


V

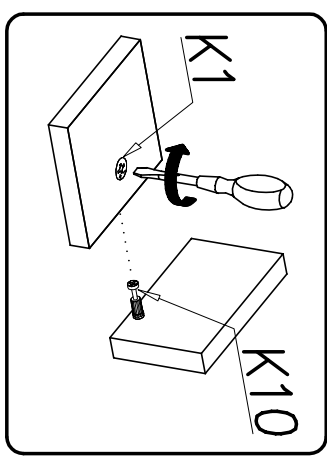
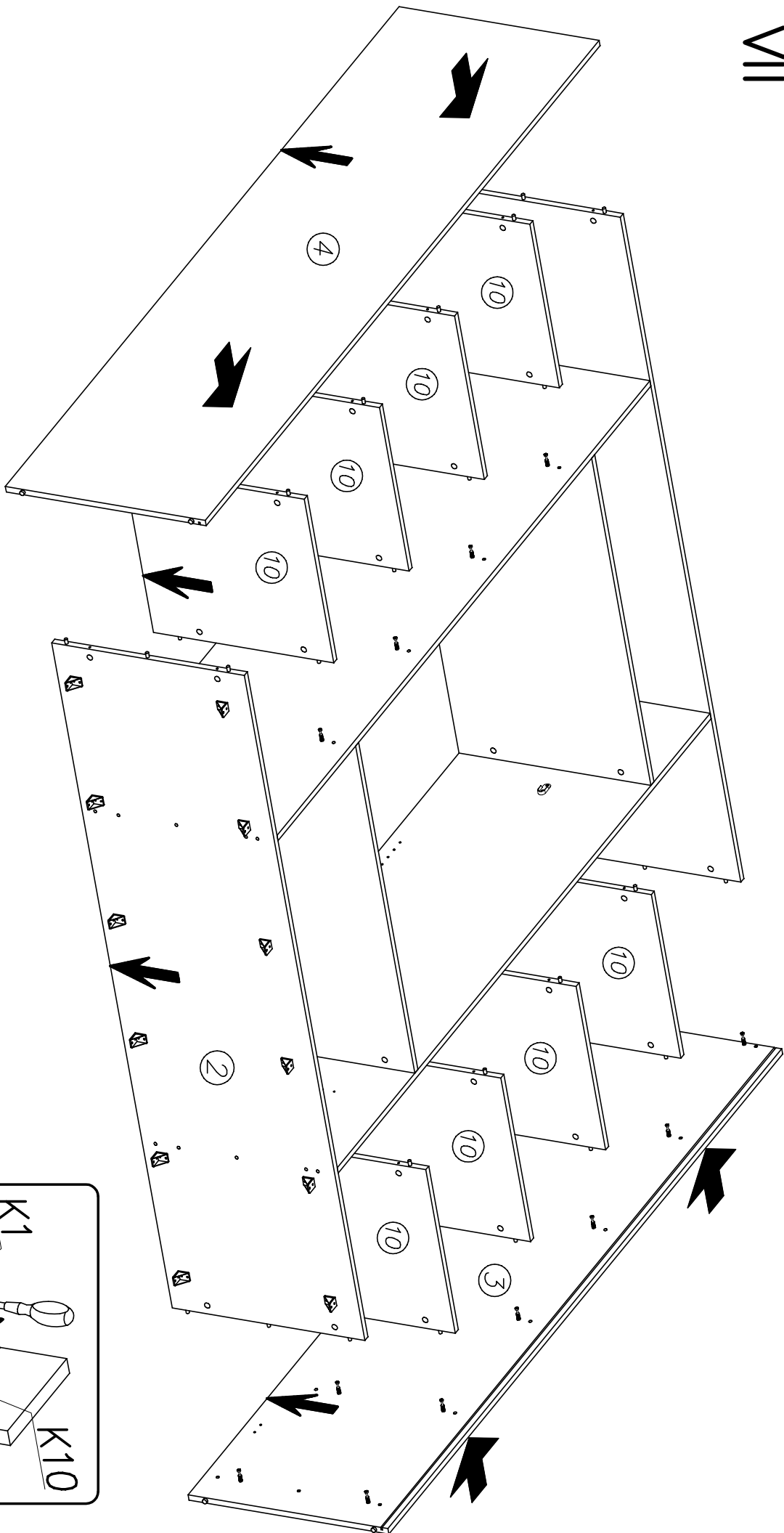




VI

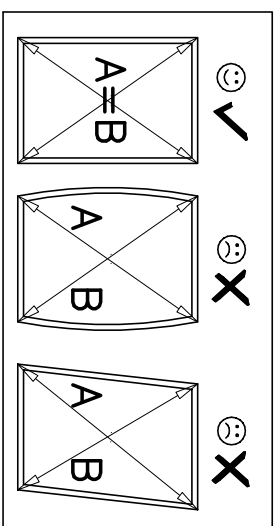
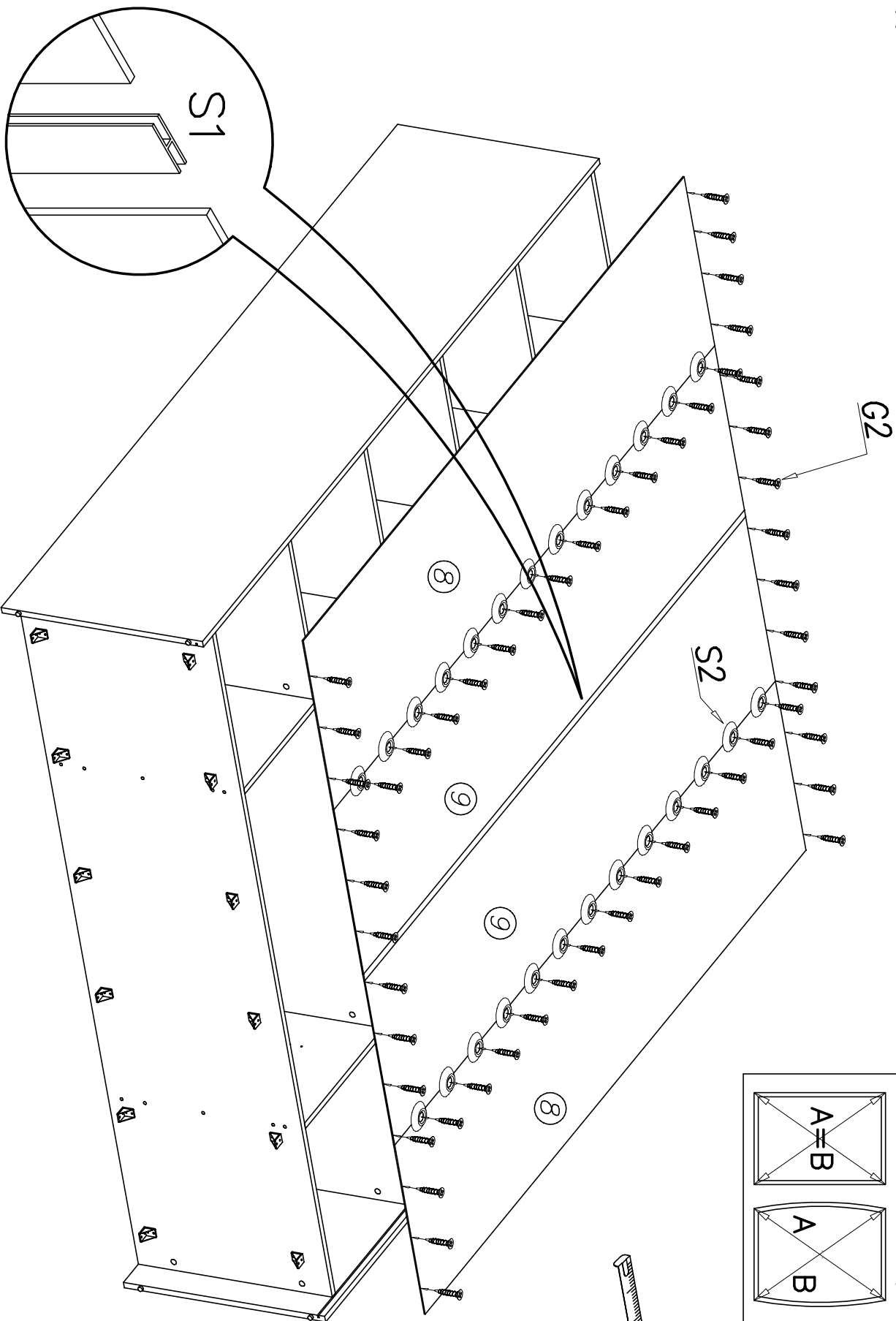


VII

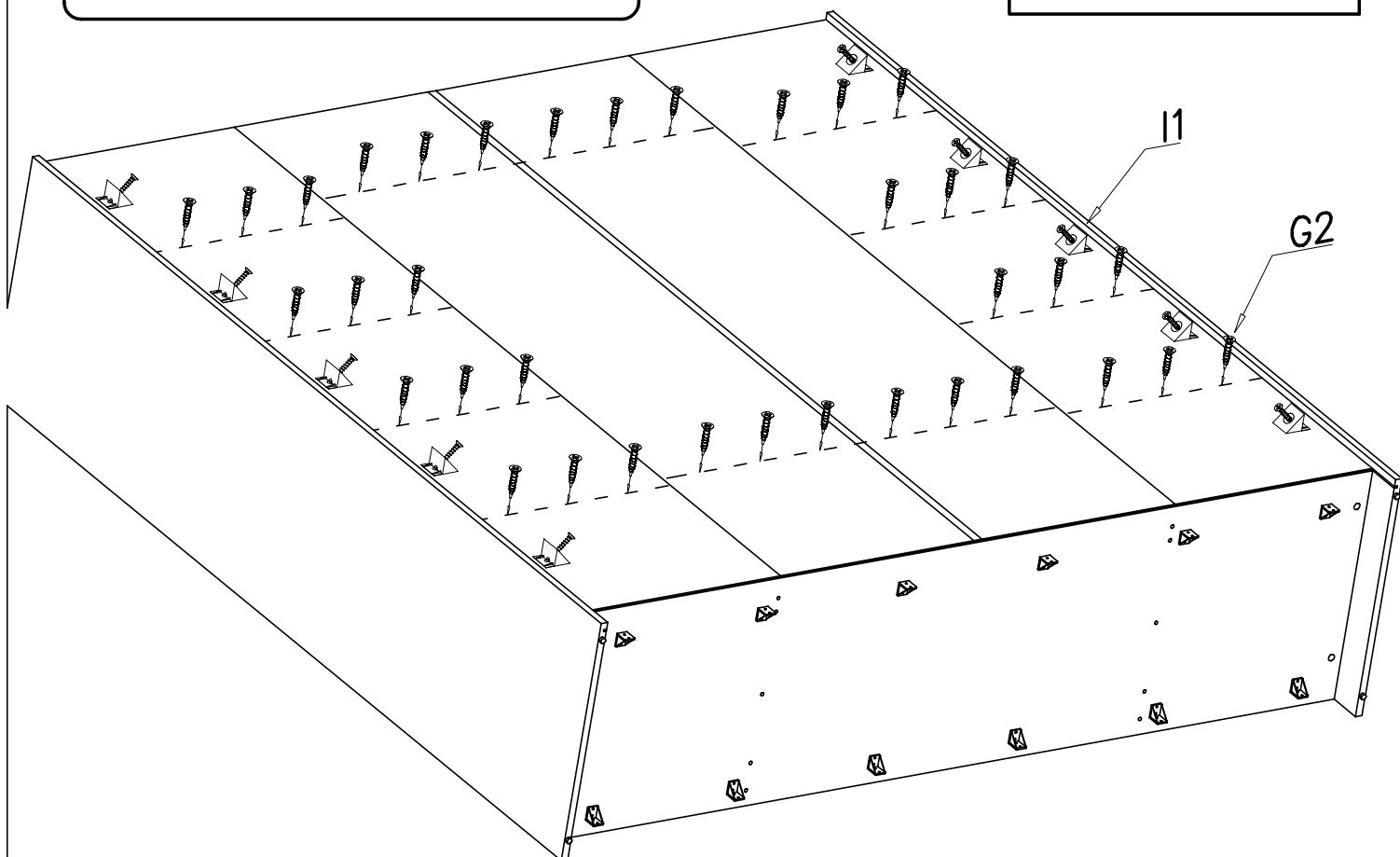
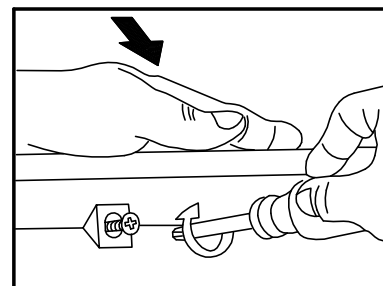
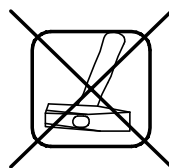
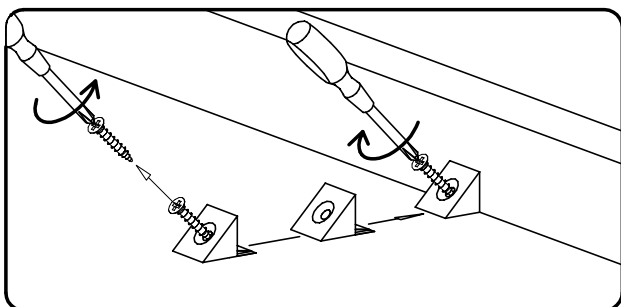
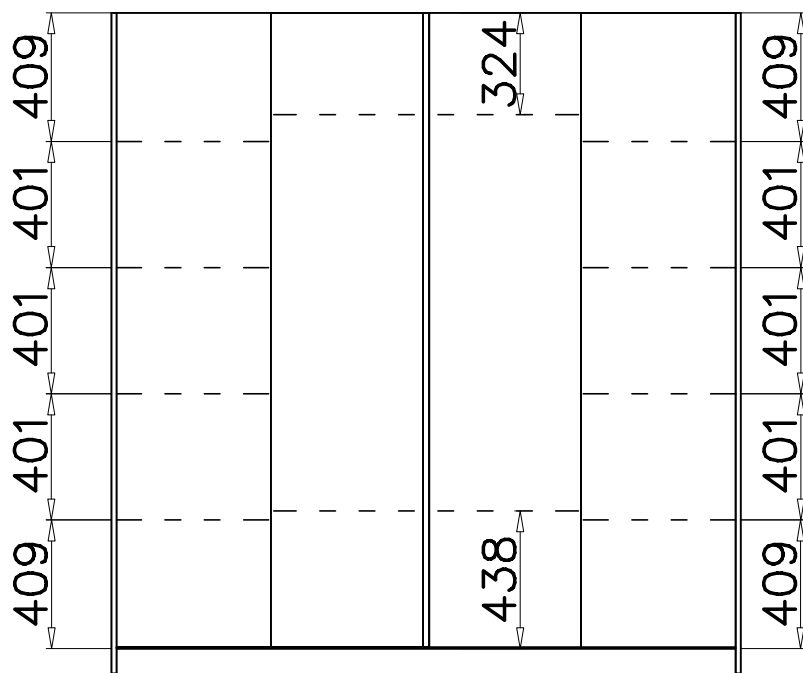


VIII

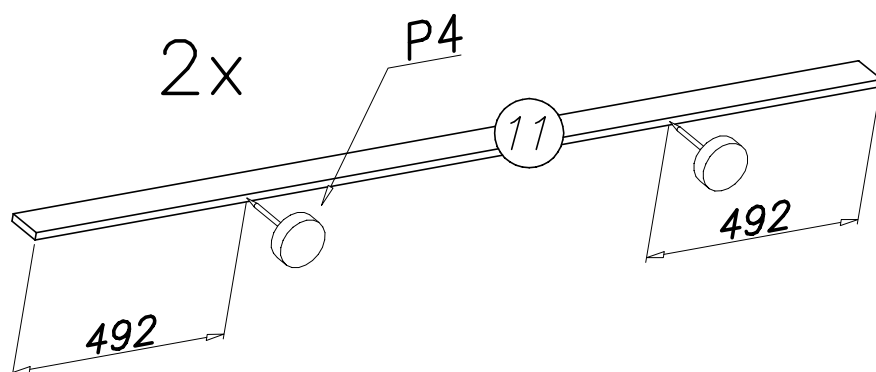
A=B



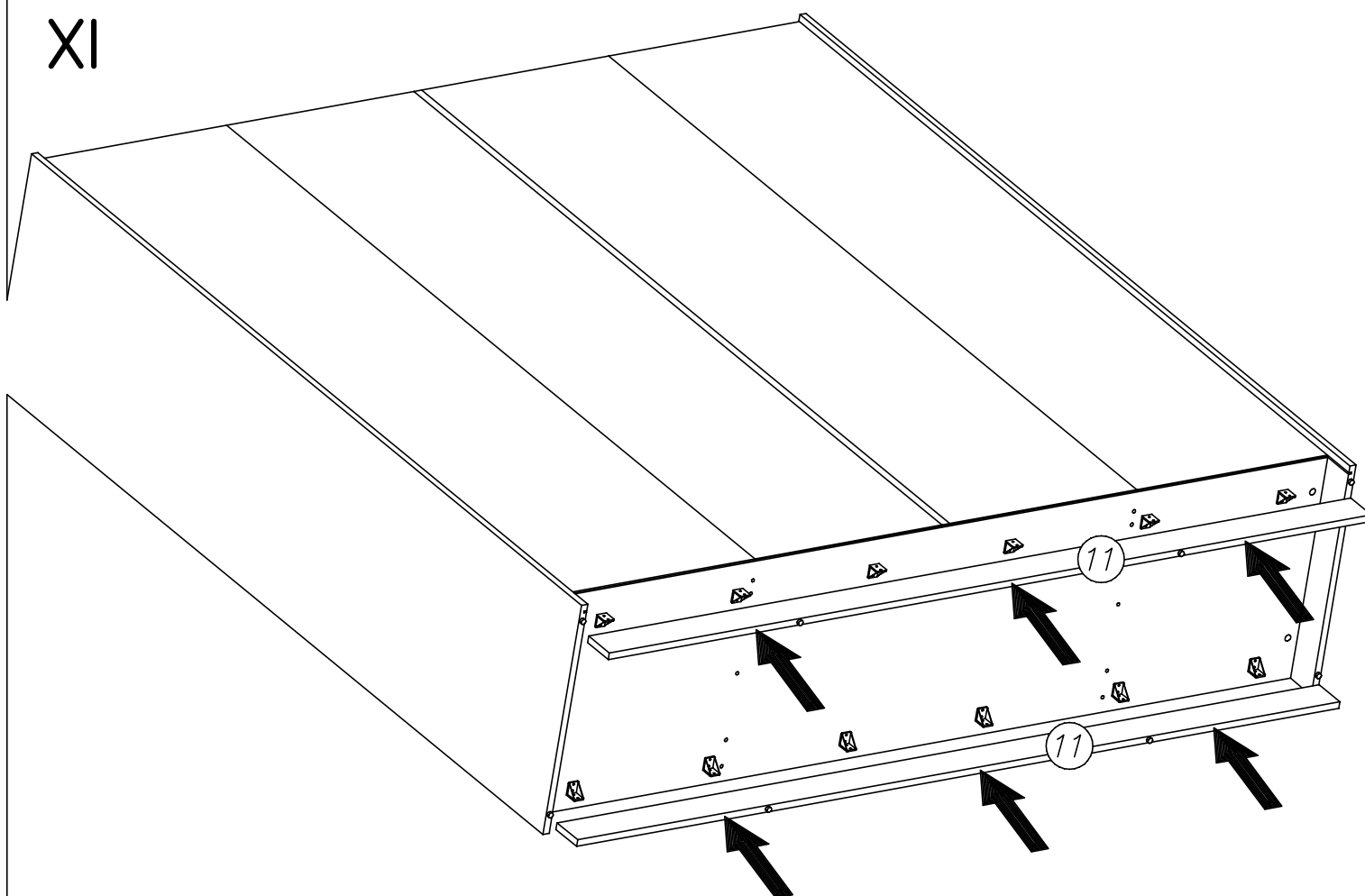
## IX



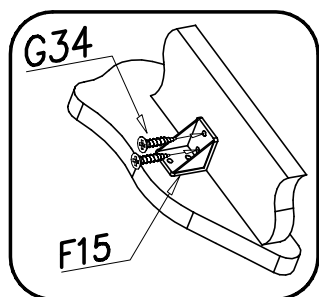
X



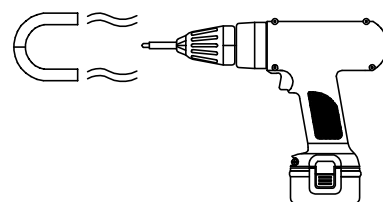
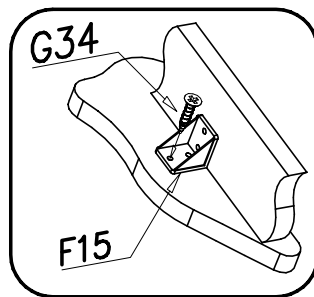
XI



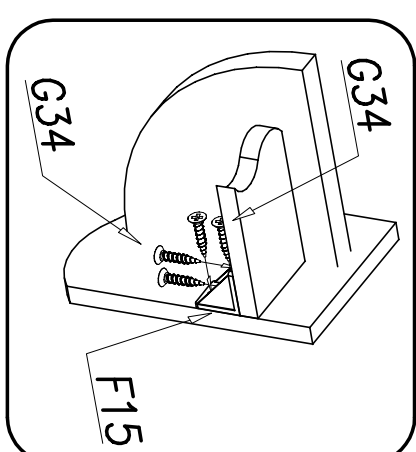
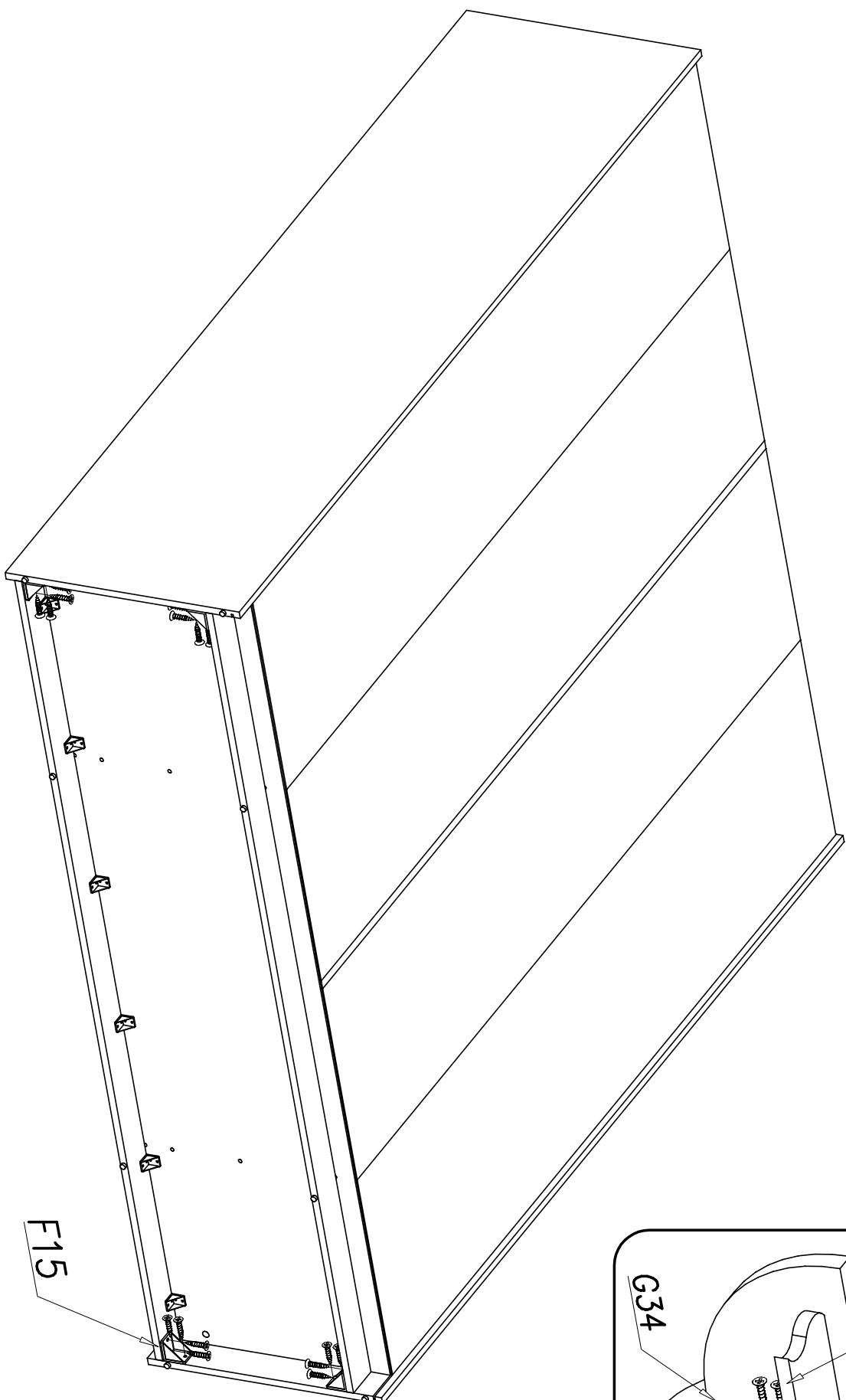
1.



2.



XIII

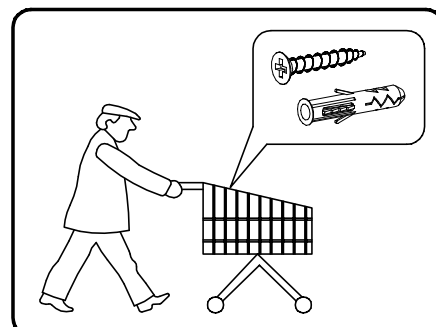
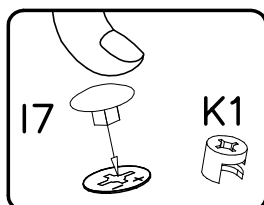
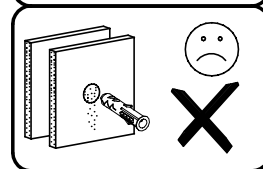
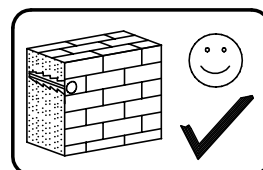
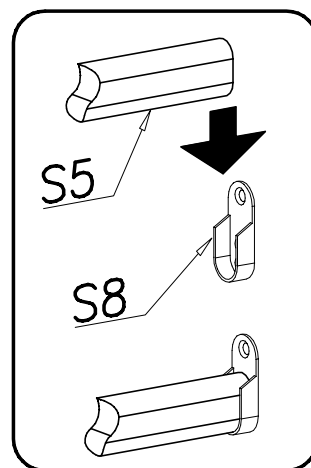
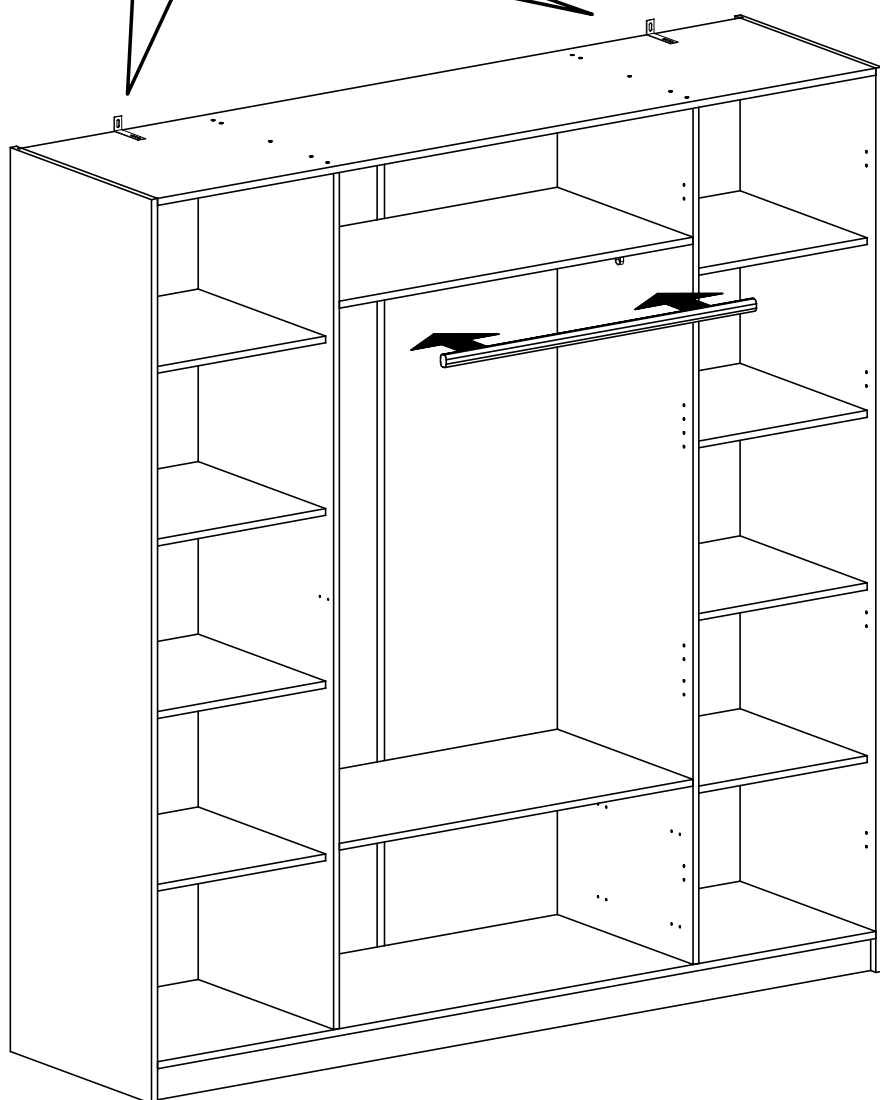
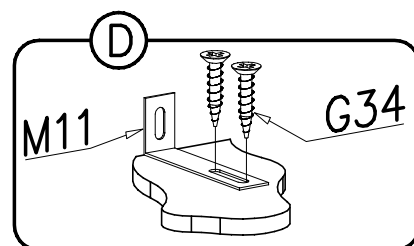
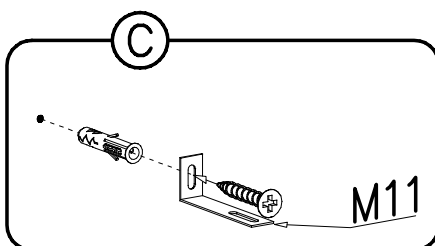
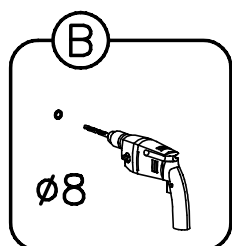
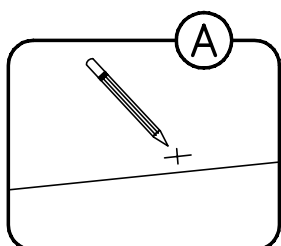


F15

G34

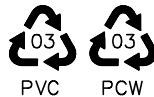
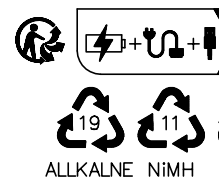
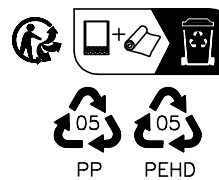
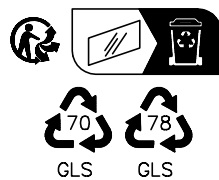
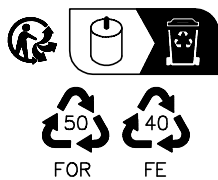
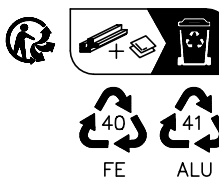
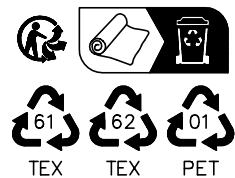
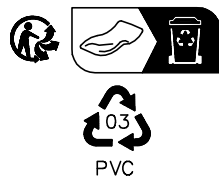
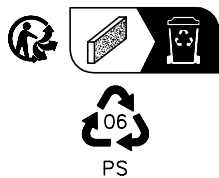
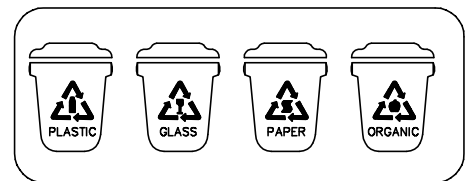
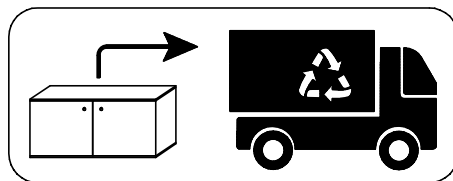
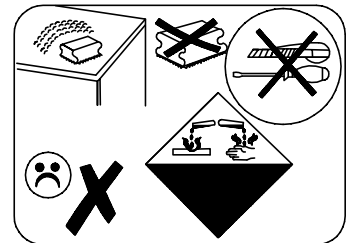
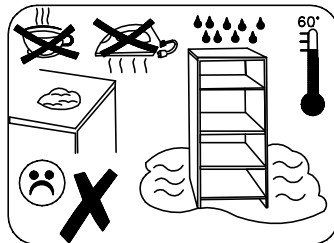
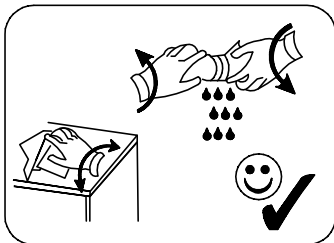
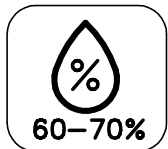
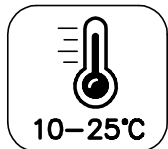
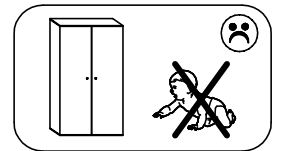
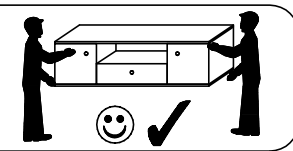
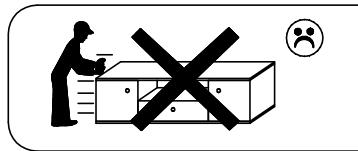
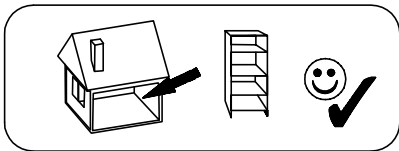
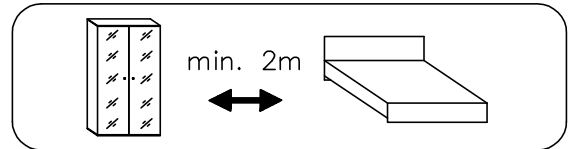
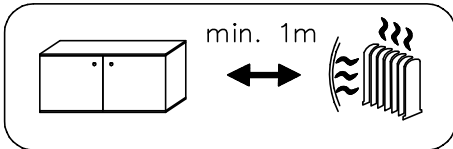
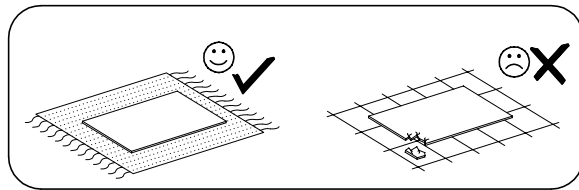
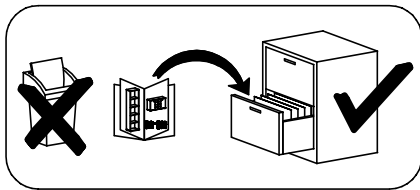
F15

## XIII



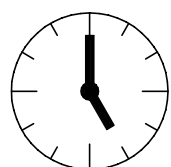
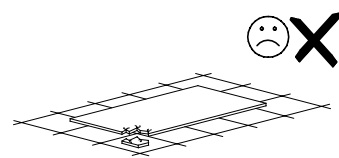
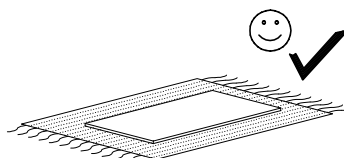
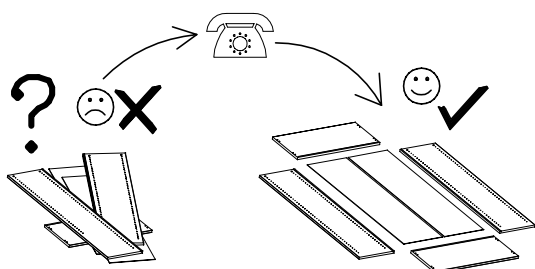
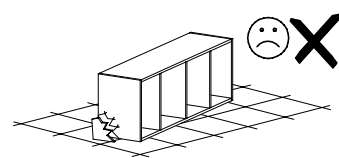
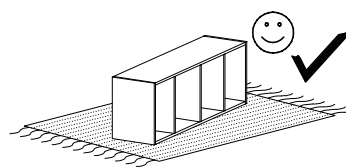
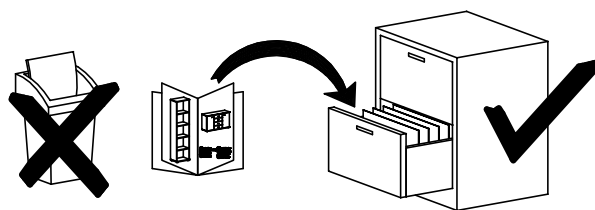
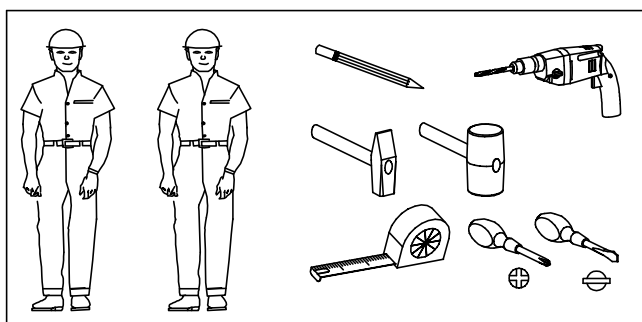
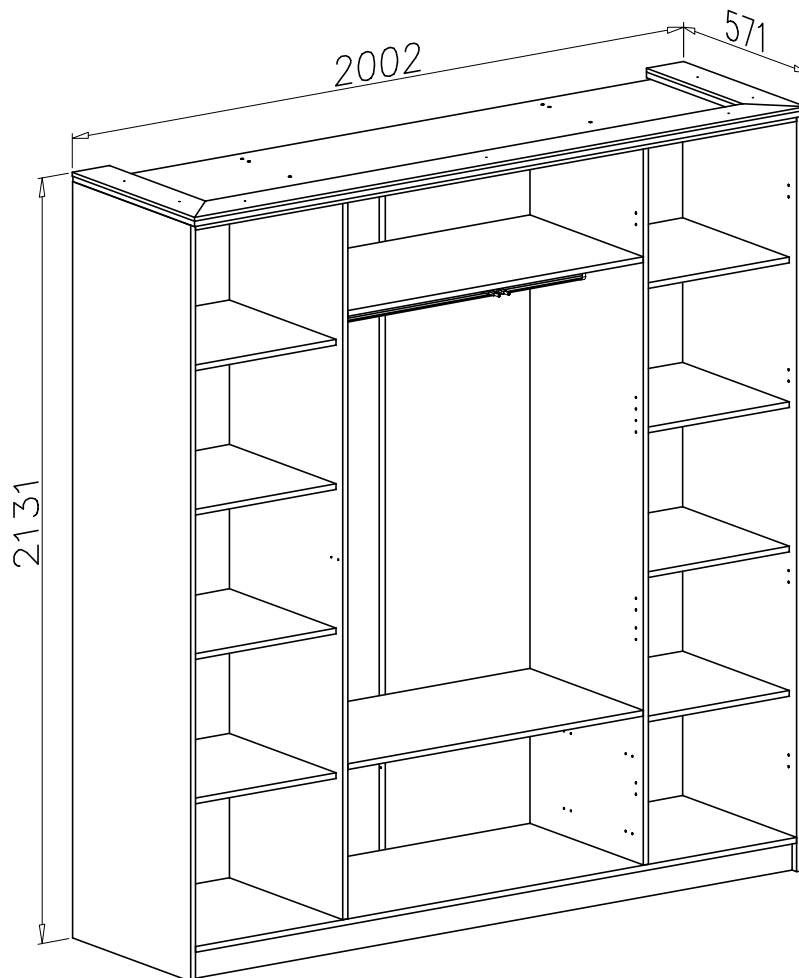


Uwaga • Upozornění • Achtung • Attention • Caution • Figyelem  
 Attenzione • Opgelet • Внимание • Atenție • Upozornenie • Dikkat

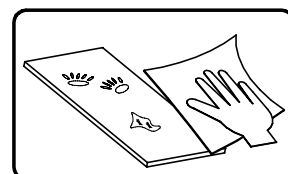
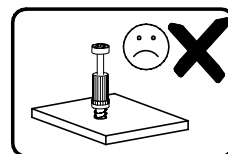
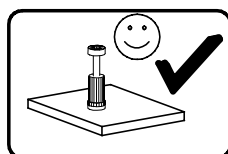


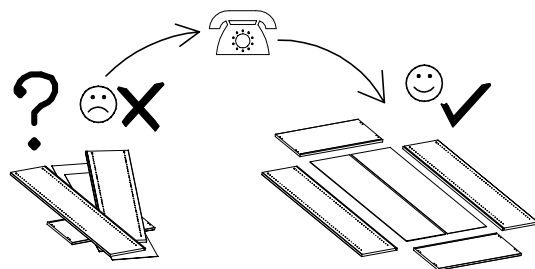
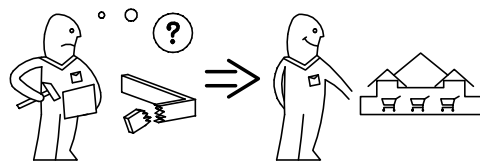
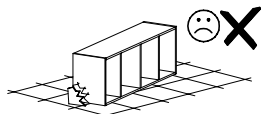
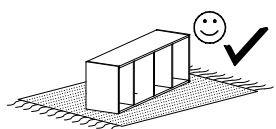


# AURORA szafa korona

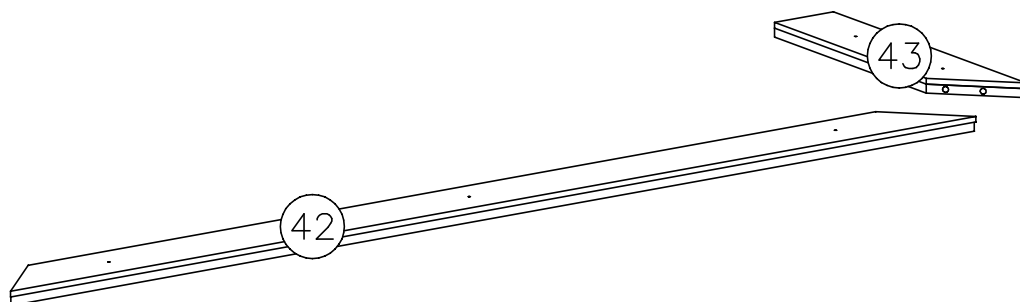
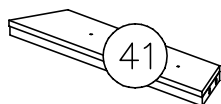


0,5h





| nr | L[mm] | B[mm] | T[mm] | Menge |
|----|-------|-------|-------|-------|
| 41 | 571   | 82    | 26    | 1     |
| 42 | 2002  | 82    | 26    | 1     |
| 43 | 571   | 82    | 26    | 1     |



W1



x...(1)

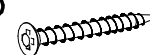
B1



ø8x35

x...(4)

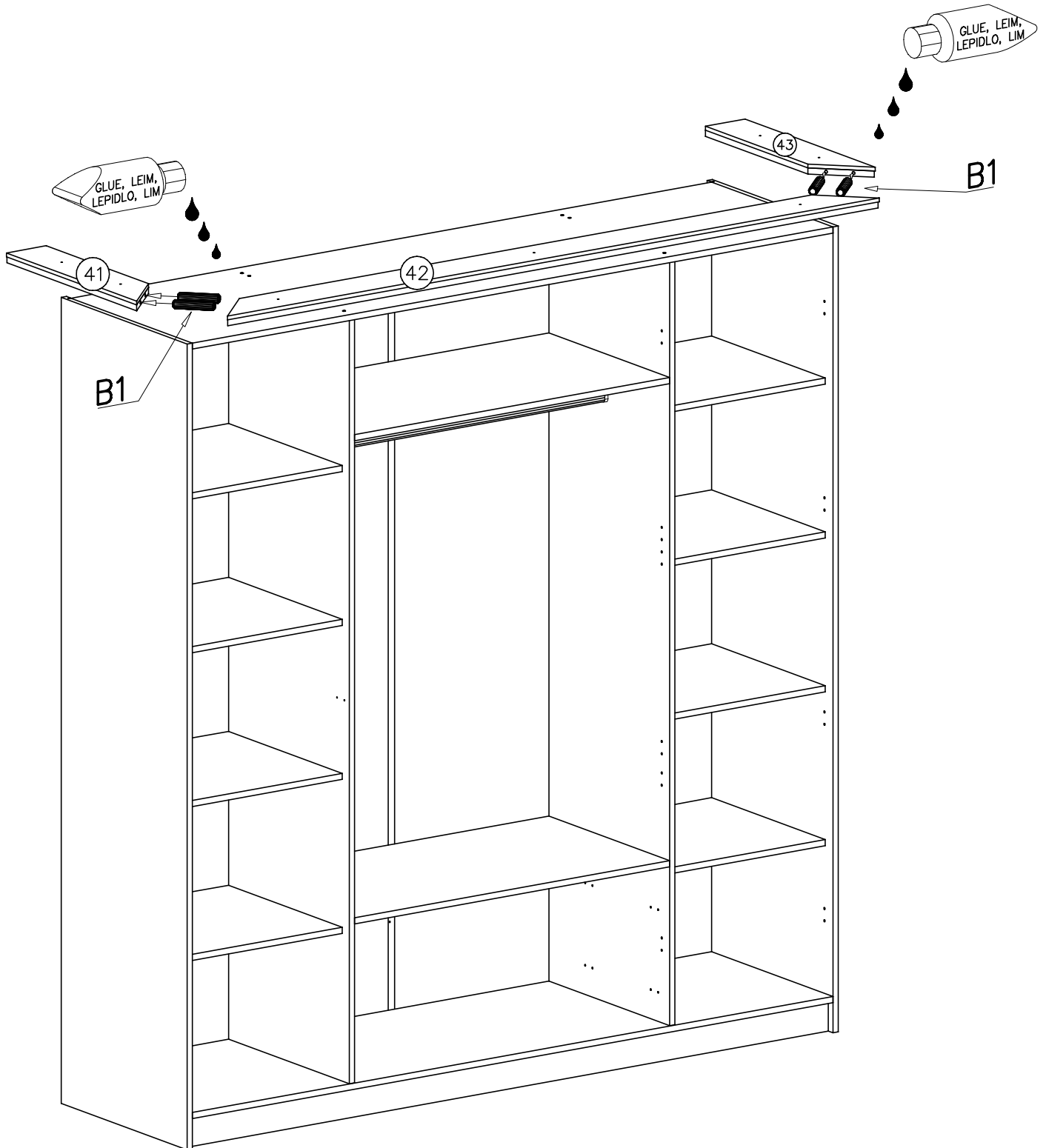
G23



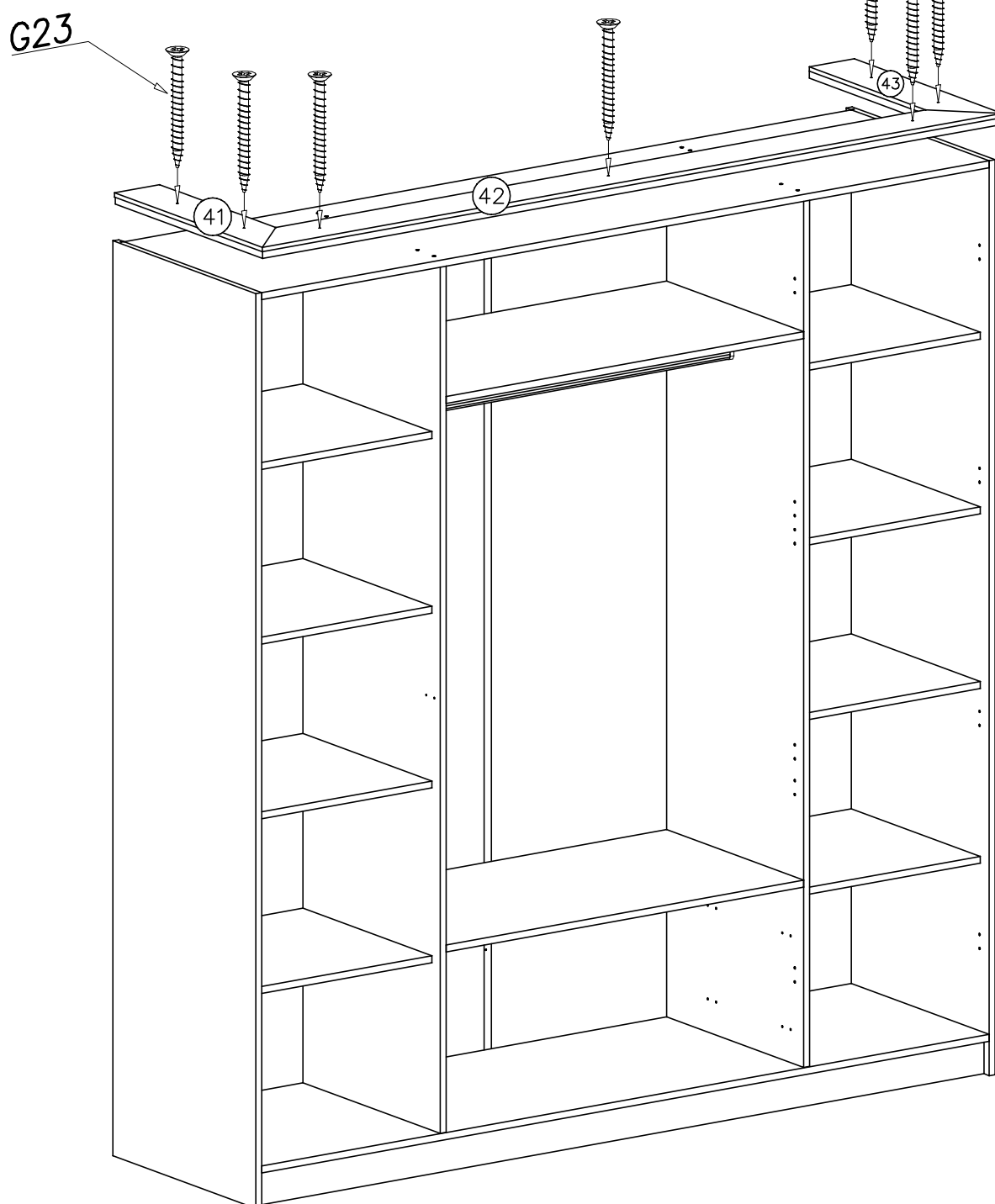
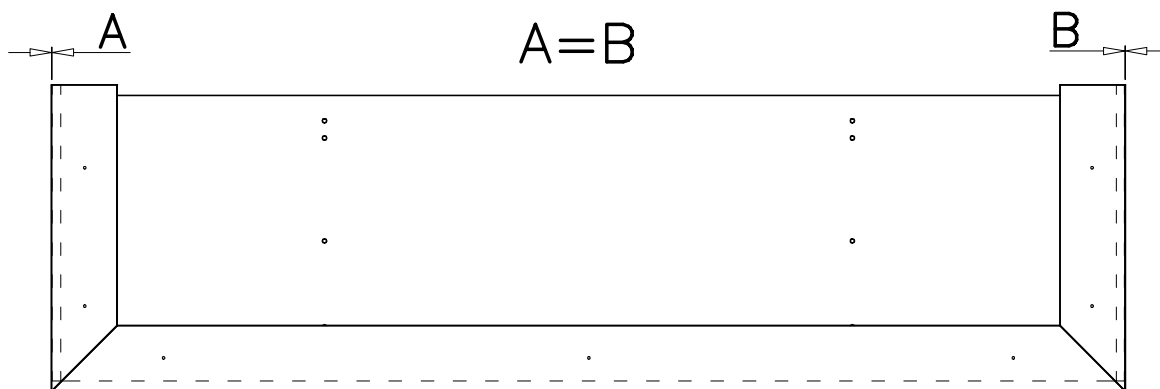
4x40

x...(7)

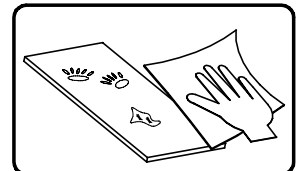
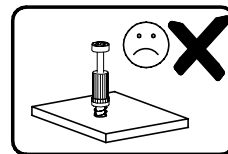
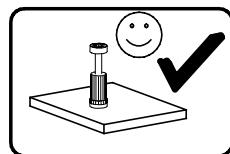
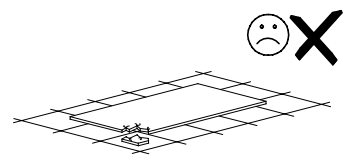
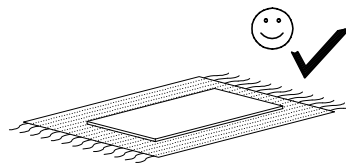
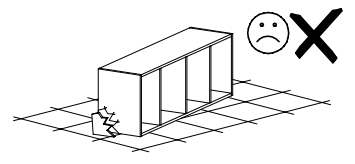
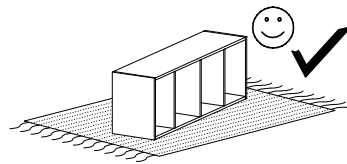
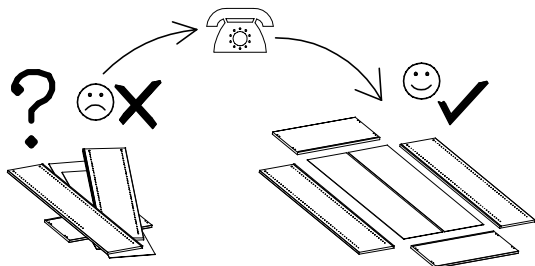
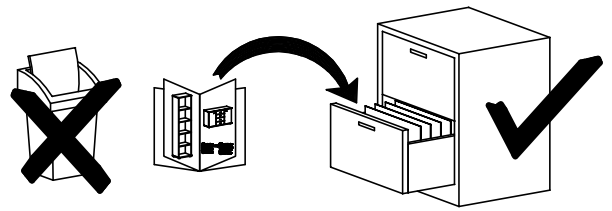
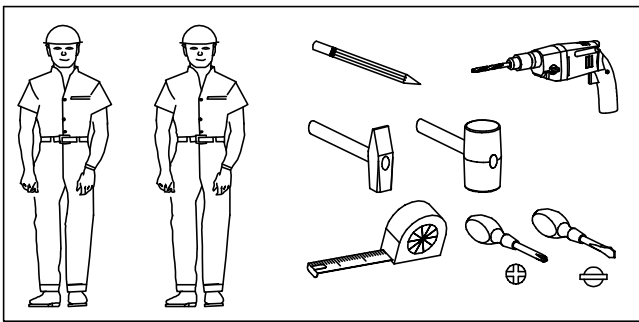
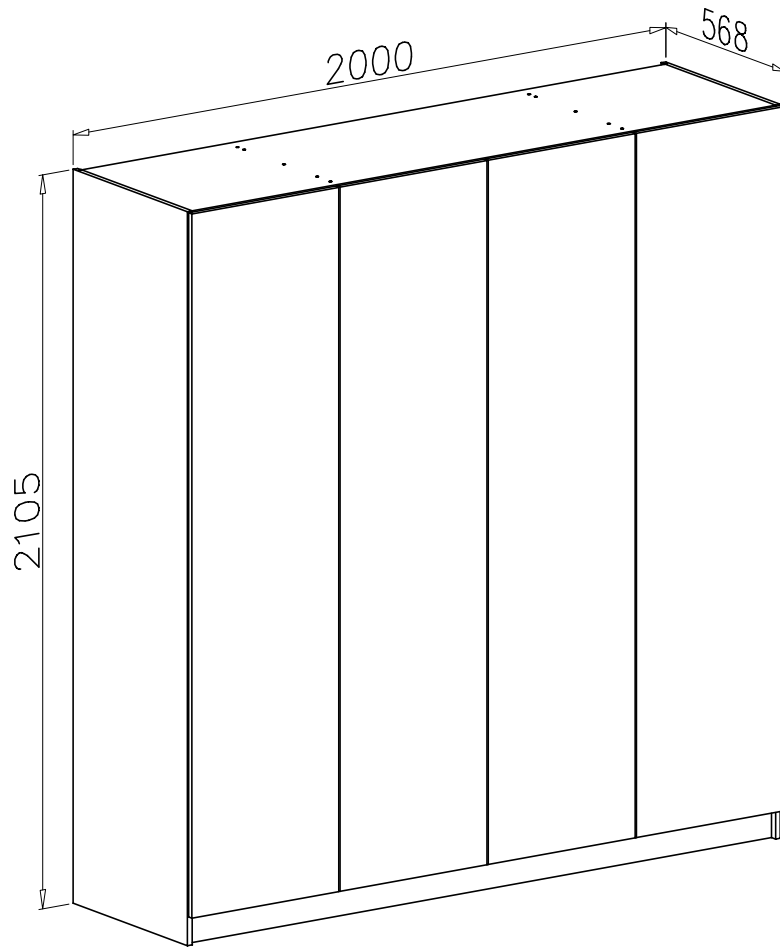
I

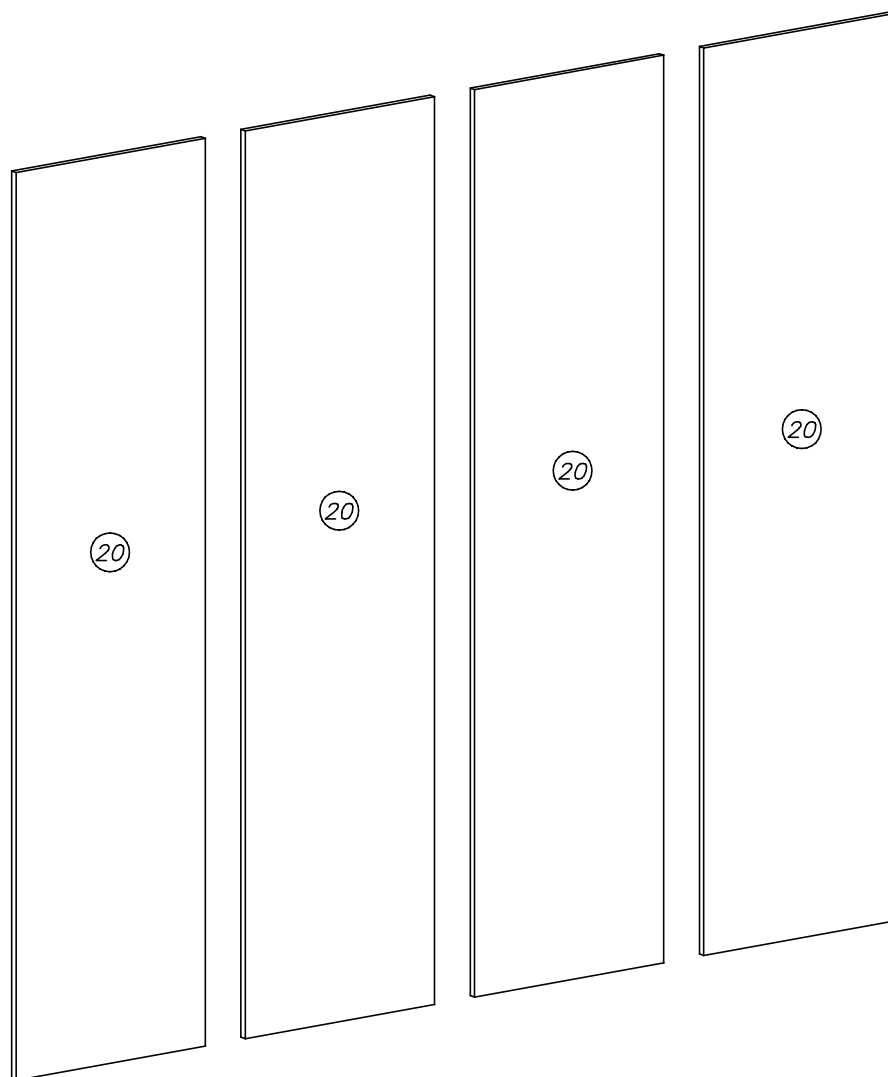
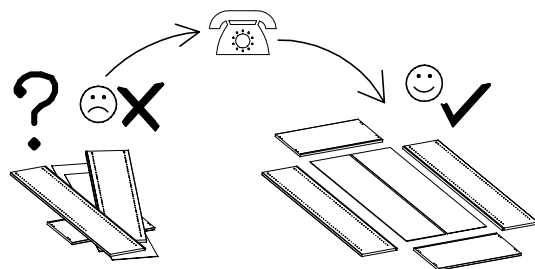
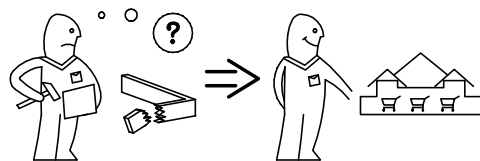
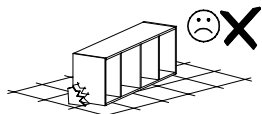
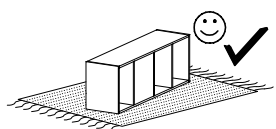


II

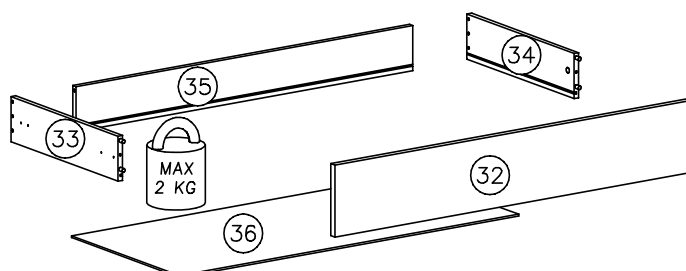


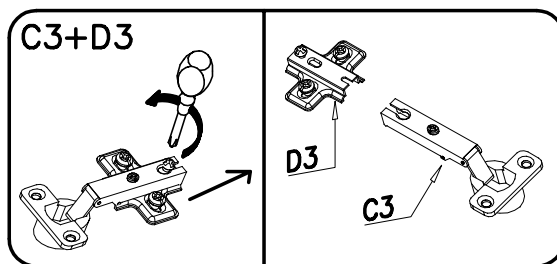
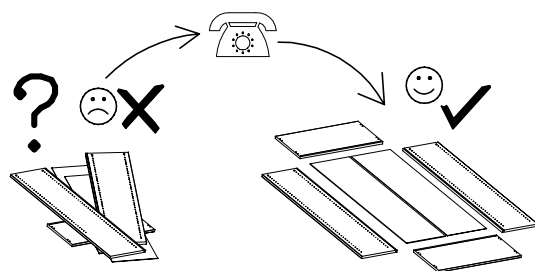
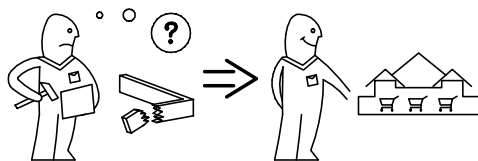
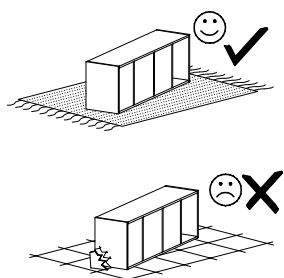
# AURORA szafa 4D push





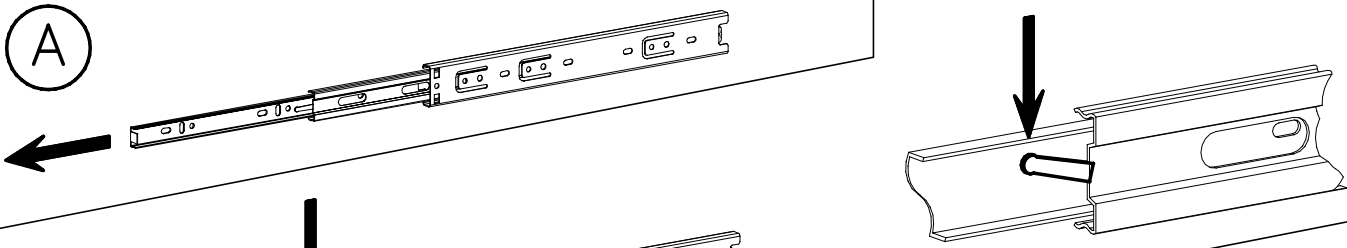
| nr | L[mm] | B[mm] | T[mm] | Menge |
|----|-------|-------|-------|-------|
| 20 | 2014  | 495   | 16    | 4     |
| 32 | 932   | 160   | 16    | 2     |
| 33 | 400   | 100   | 12    | 2     |
| 34 | 400   | 100   | 12    | 2     |
| 35 | 882   | 100   | 12    | 2     |
| 36 | 892   | 401   | 3     | 2     |



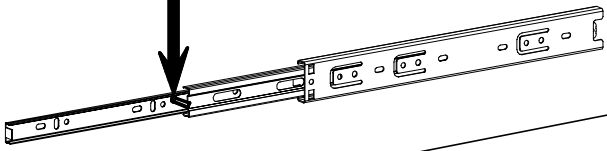


|                                     |   |                                   |                                  |                                 |
|-------------------------------------|---|-----------------------------------|----------------------------------|---------------------------------|
|                                     |   |                                   | <b>W2</b><br><br>x...(1)         | <b>K4</b><br><br>ø12x10 x...(4) |
| <b>H24</b><br><br>H35-400mm x...(2) | <b>C3</b><br><br>Z35PR x...(16)         | <b>G34</b><br><br>3,5x16 x...(36) | <b>G57</b><br><br>3,5x16 x...(8) | <b>L14</b><br><br>x...(4)       |
|                                     | <b>D3</b><br><br>H=2<br>PZ35PR x...(16) | <b>I27</b><br><br>18mm x...(8)    | <b>M8</b><br><br>400mm x...(2)   |                                 |
| <b>K10</b><br><br>x...(4)           | <b>W1</b><br><br>x...(1)                | <b>G58</b><br><br>6x32 x...(8)    | <b>G20</b><br><br>5x11 x...(8)   | <b>A6</b><br><br>ø7x40 x...(8)  |

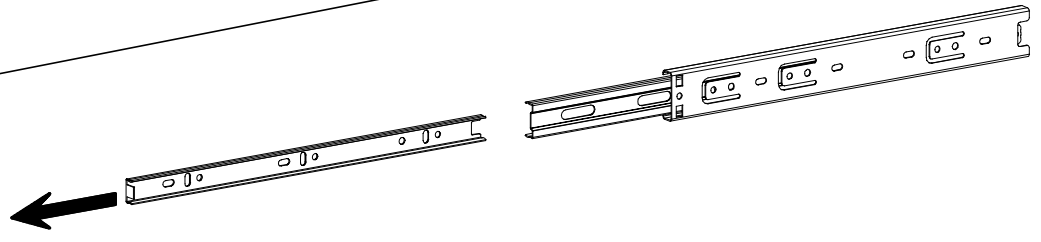
A



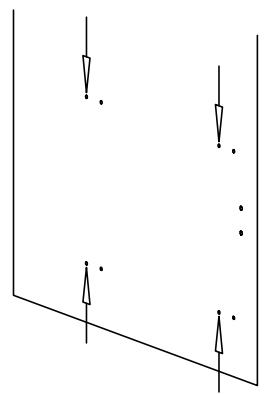
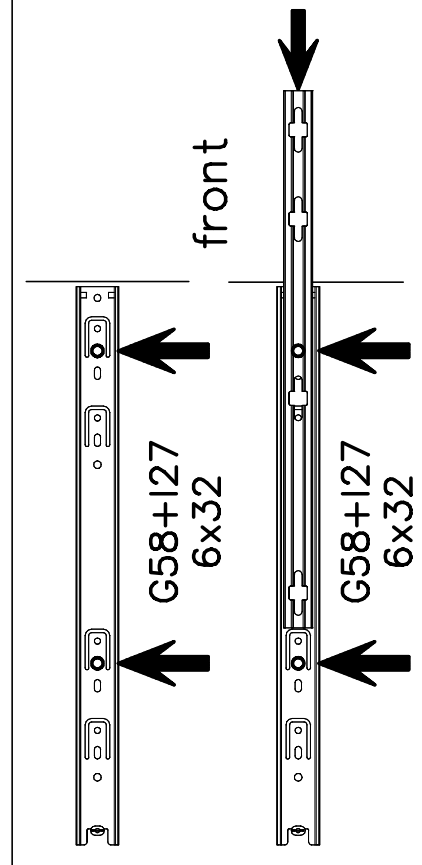
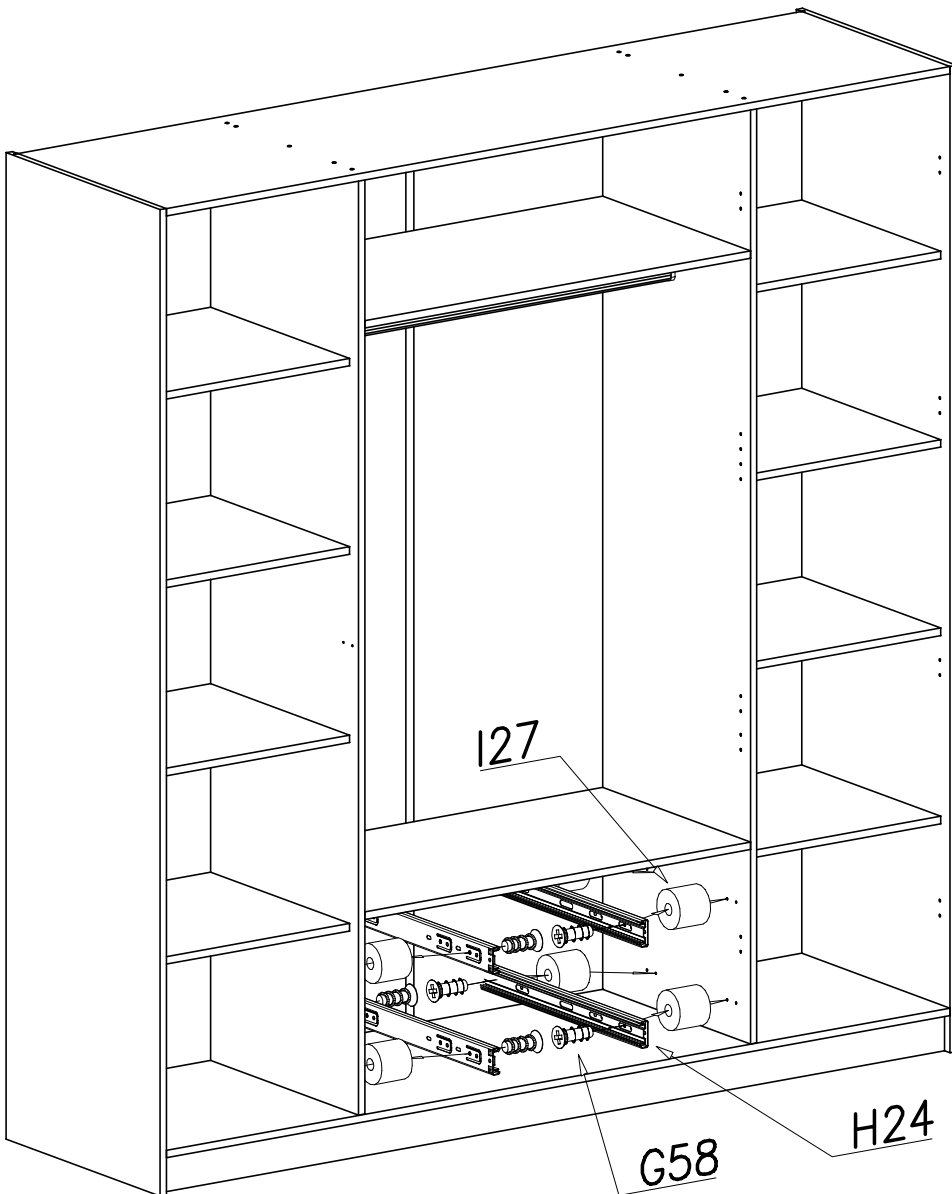
B



C

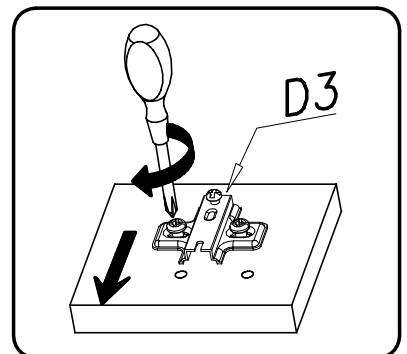
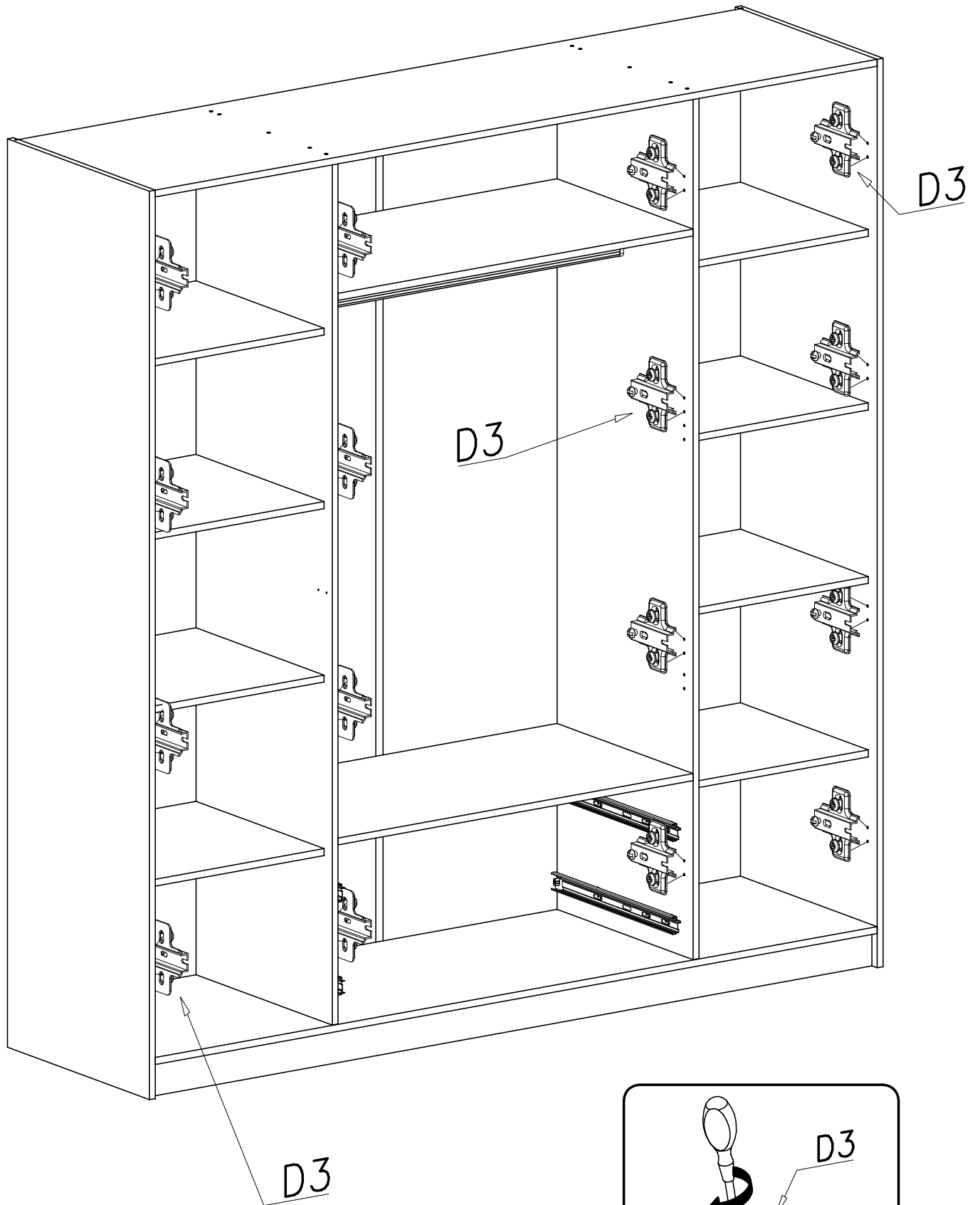


I

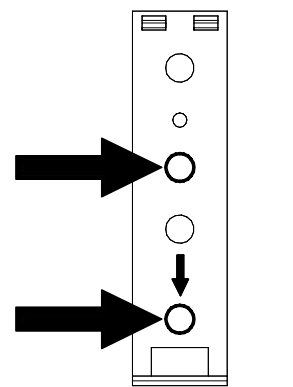
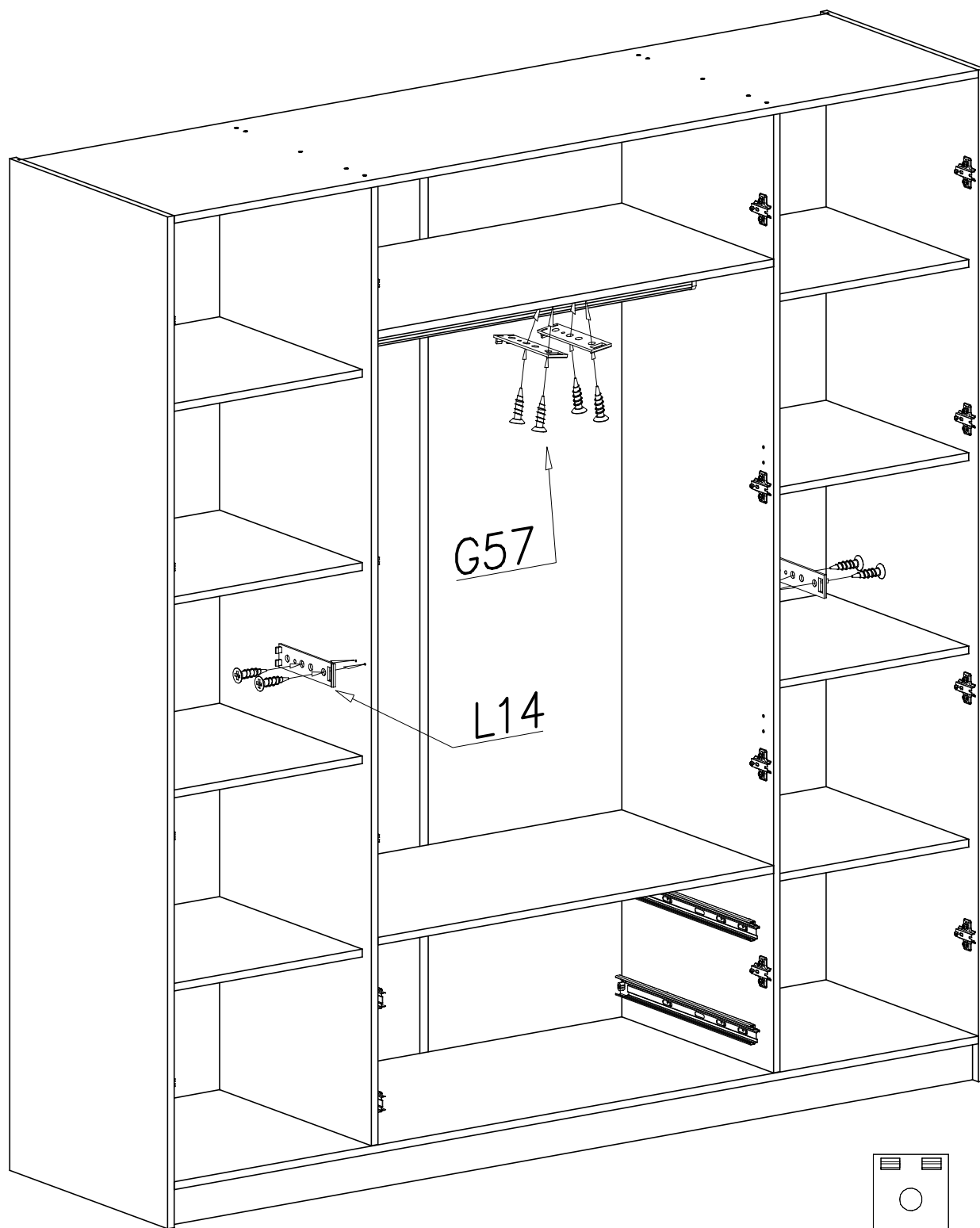




II

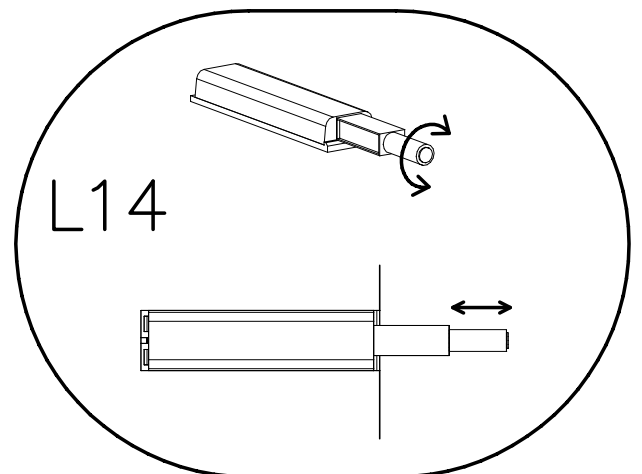
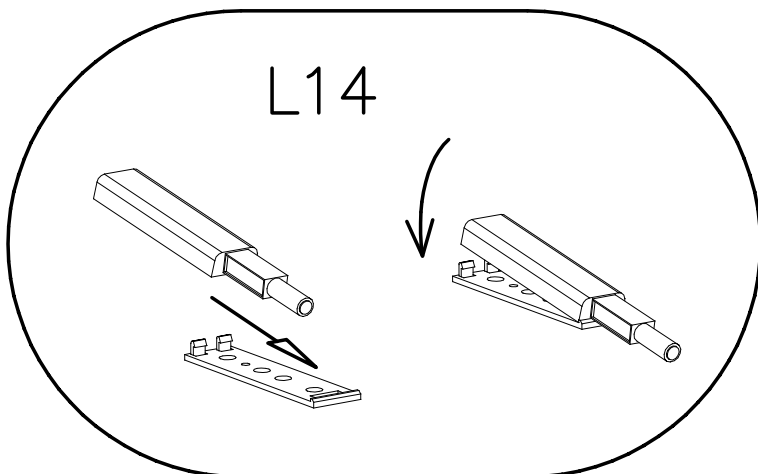
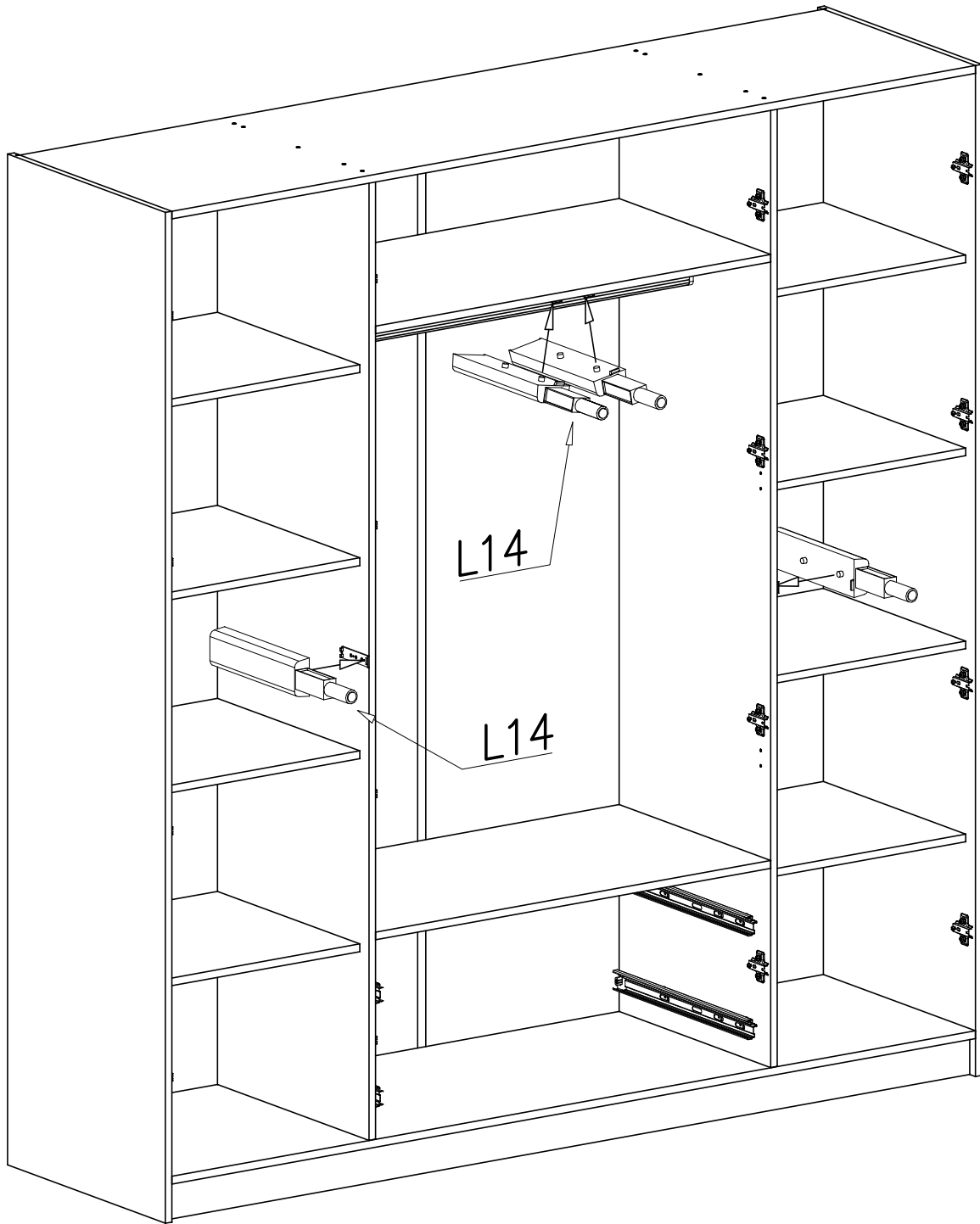


III

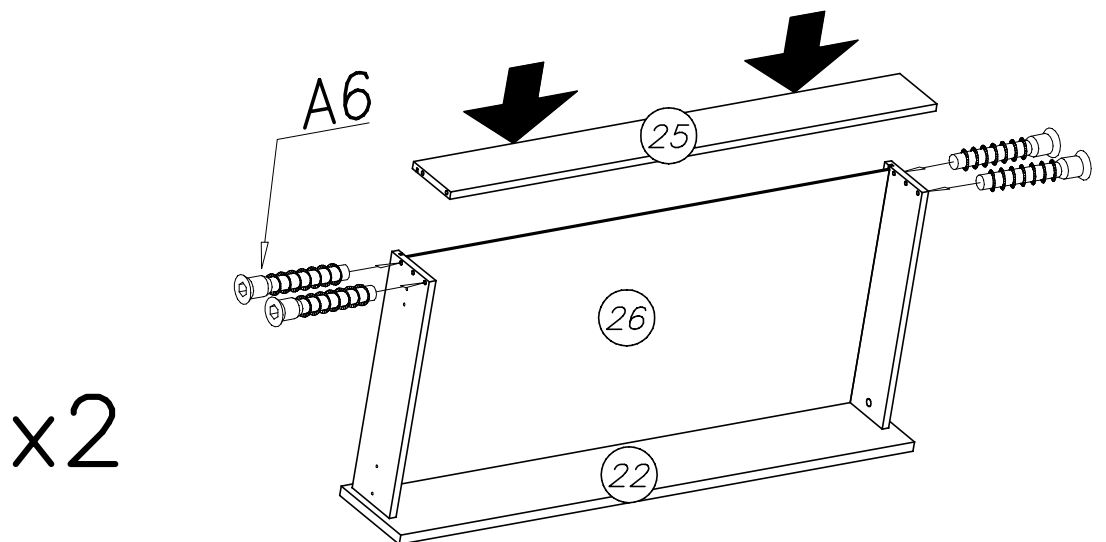
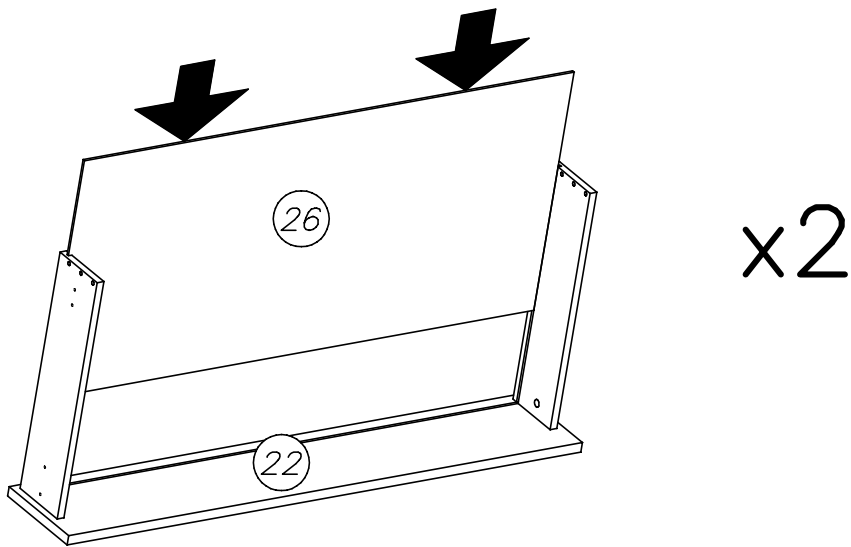
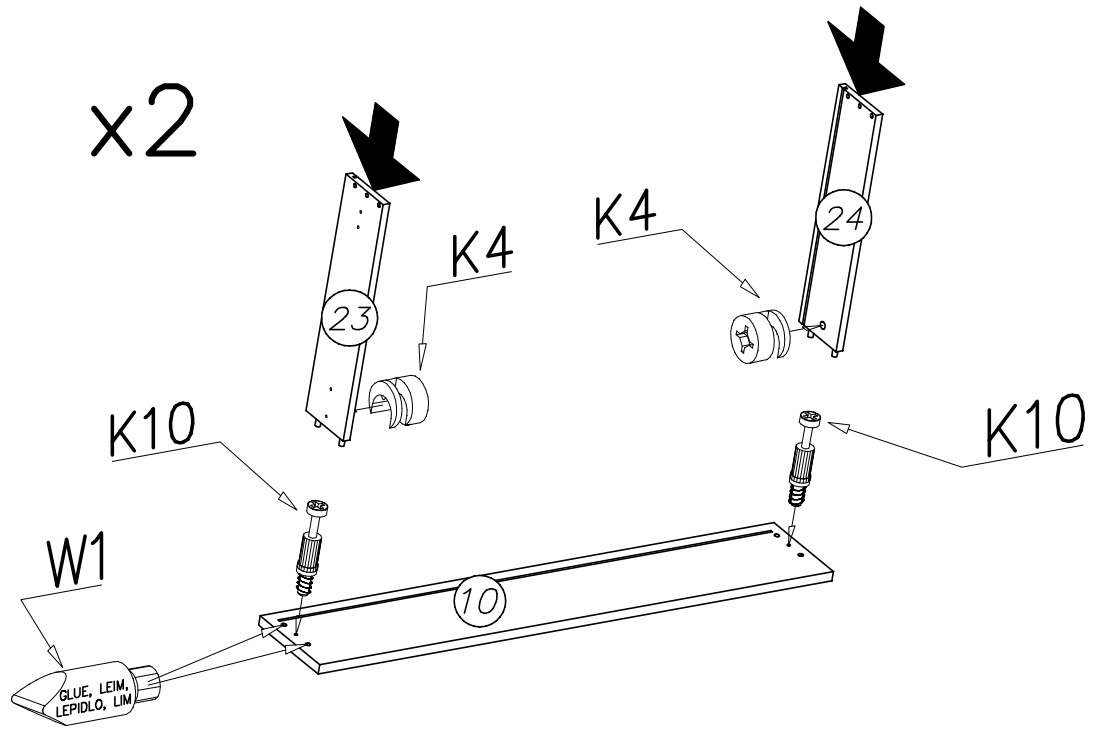


front

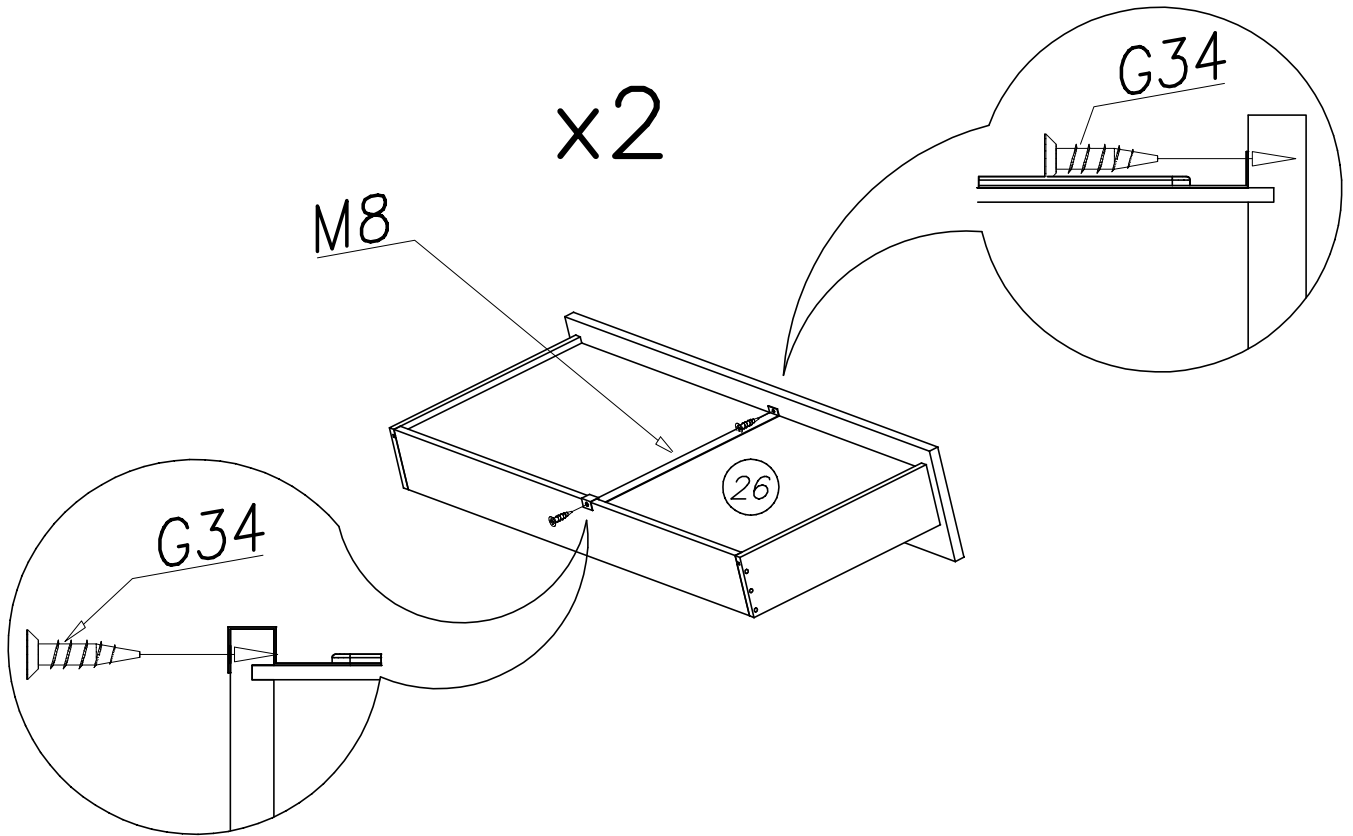
IV



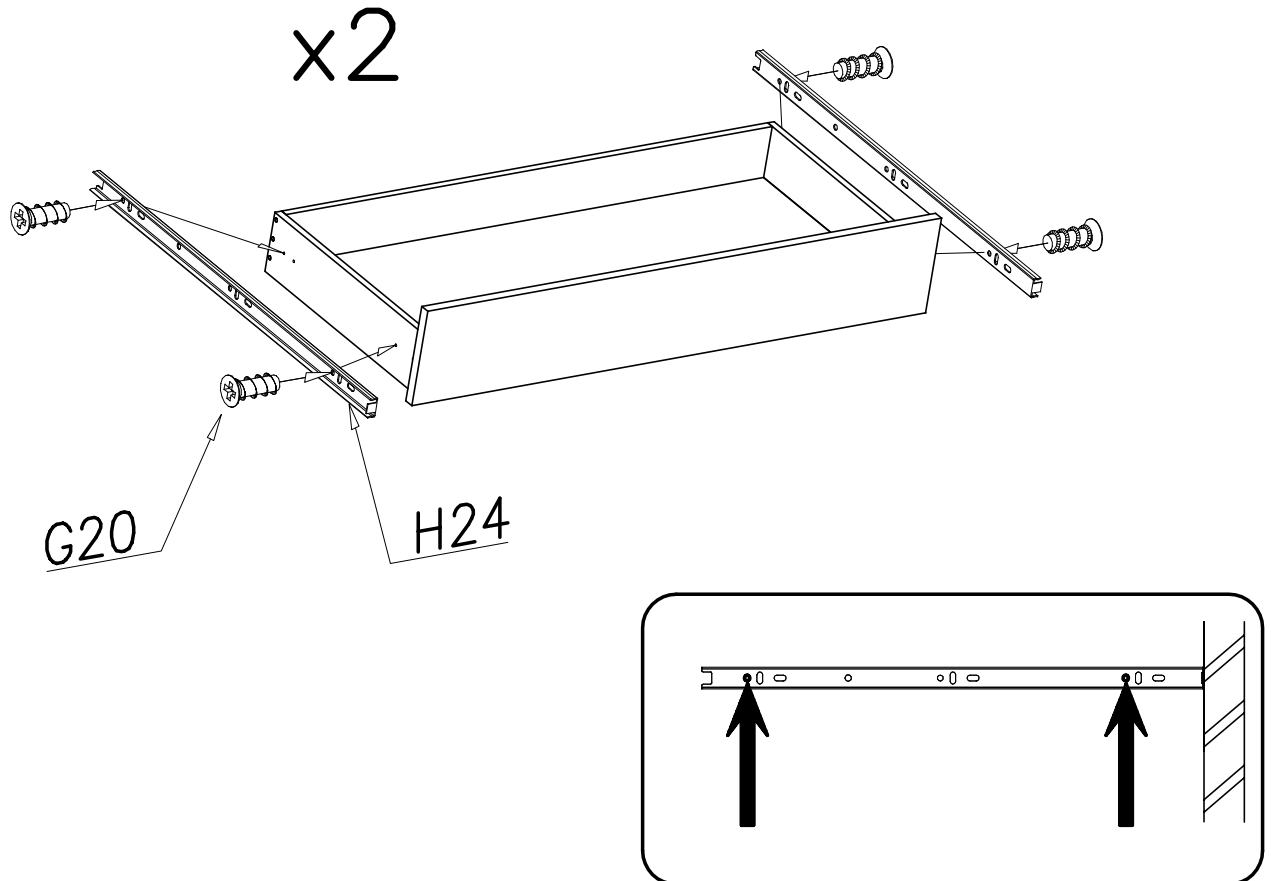
V



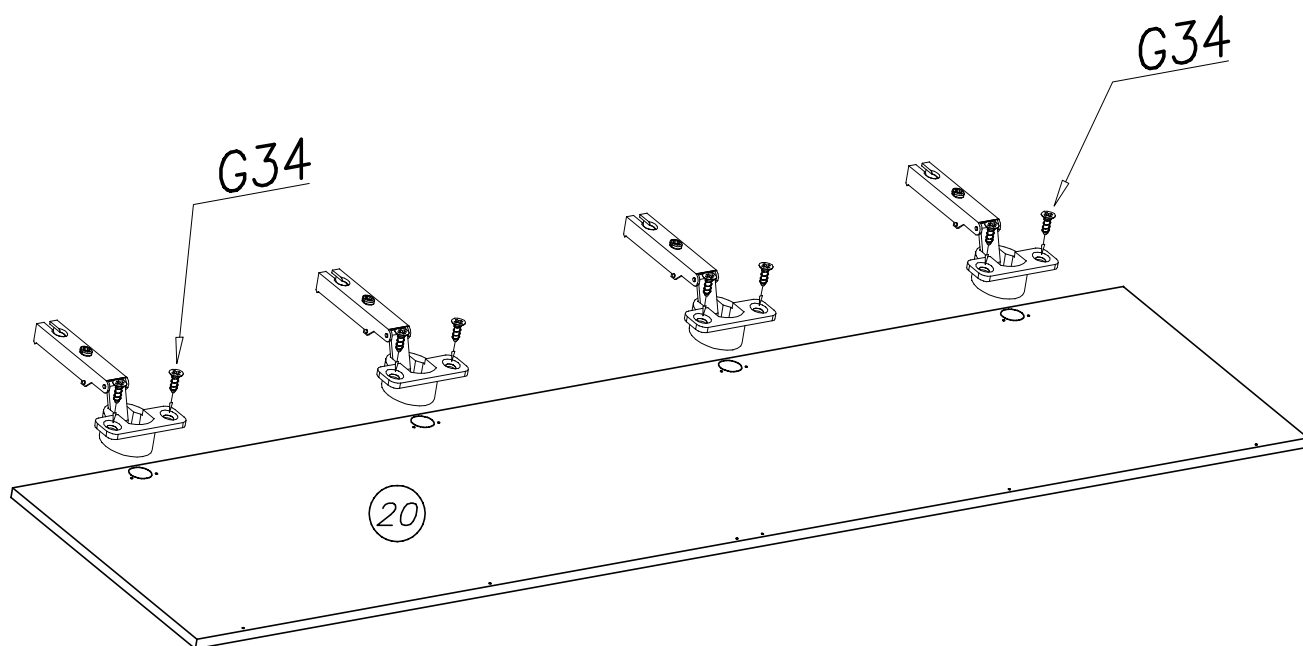
VI



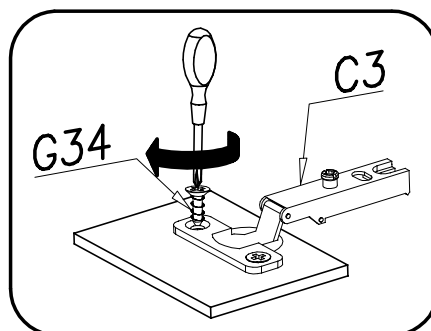
VII



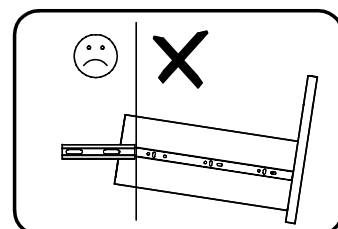
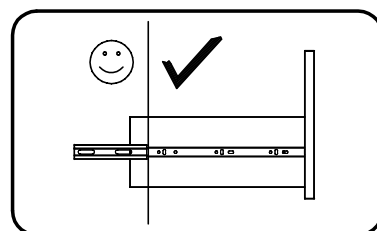
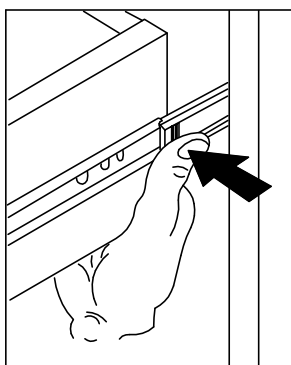
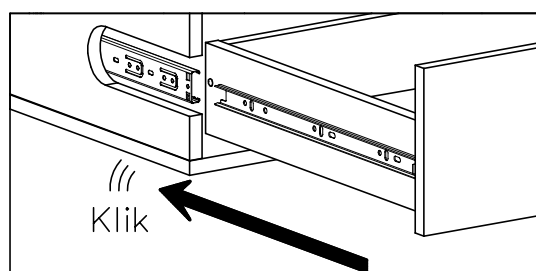
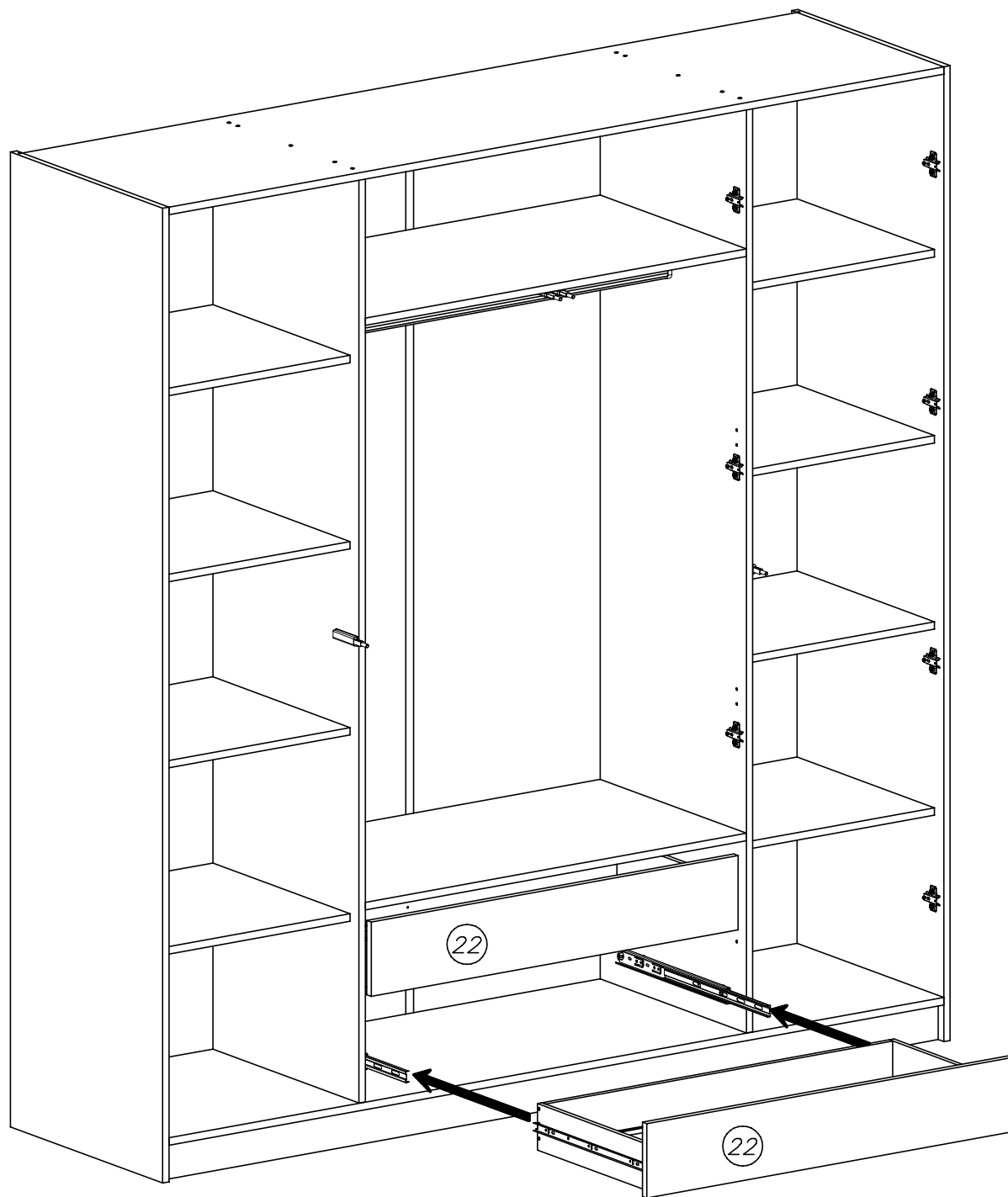
VIII



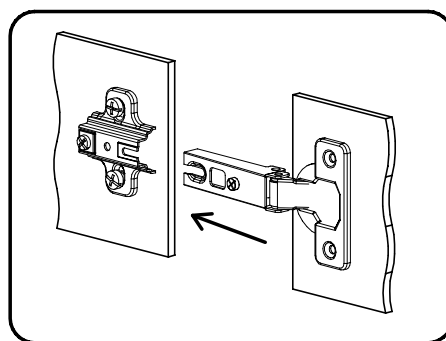
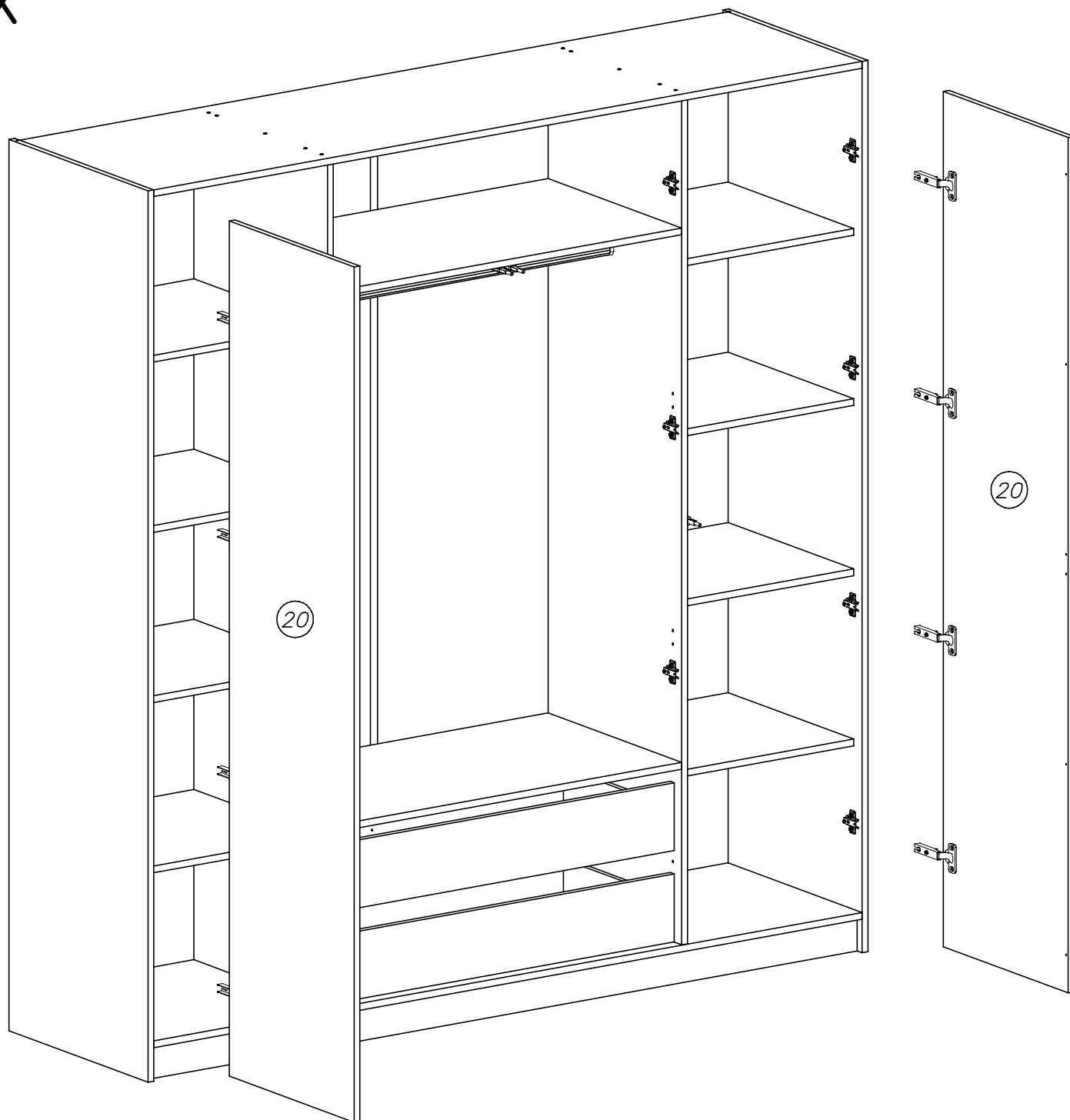
x4



IX



X





X

