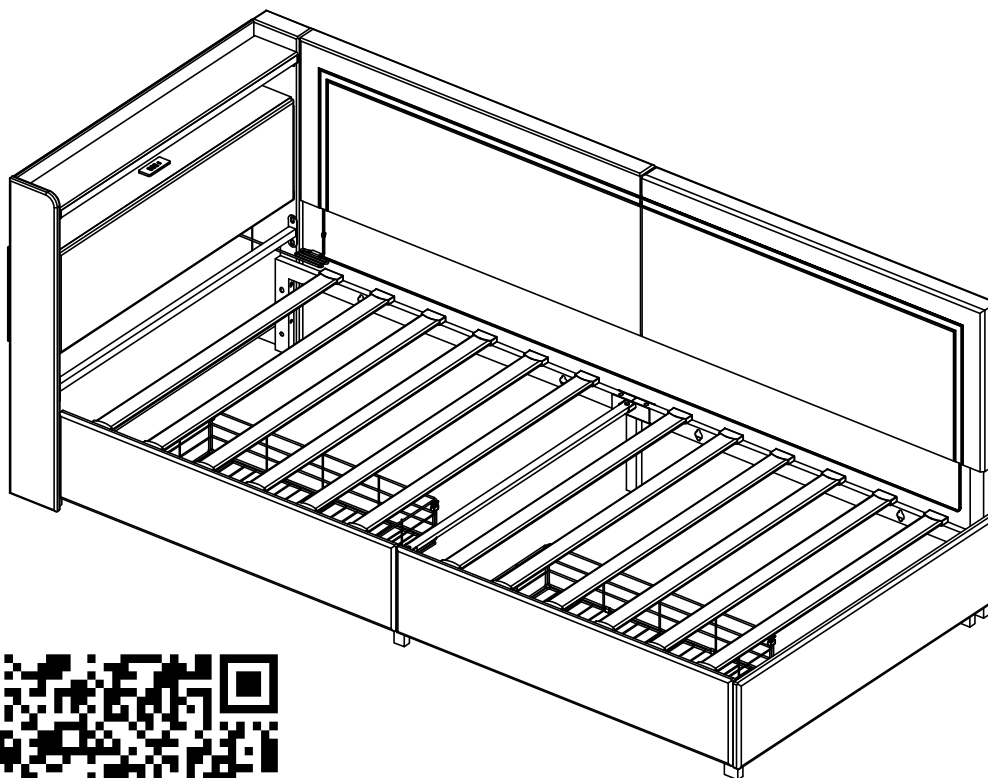


Montageanleitung | Instructions de montage Assembly Instructions | Instrucciones de montaje

N623P381141/N623P381142



Points de collecte sur www.quefairedemesdechets.fr
Privilégiez la réparation ou le don de votre appareil !

GB This set comes in 2 boxes. If you do not receive a full set of 2 boxes, please contact our customer service.

DE Dieses Set wird in 2 Schachteln geliefert. Wenn Sie nicht ein komplettes Set von 2 Boxen erhalten, kontaktieren Sie bitte unseren Kundenservice.

FR Ce set est livré en 2 boîtes. Si vous ne recevez pas un jeu Setcomplet de 2 boîtes, veuillez contacter notre service clientèle.

English

IMPORTANT FOR GAS LIFT BEDS&MAINTAINANCE

- Please place the mattress on top of the bed frame.
- Please do not pull on the strap handles.
- Please press heavily to release the compressed gas.
- Periodically check all screw & fixings to ensure they are secure.
- When moving your product, carefully lift into place.
- Wipe clean with a slightly damp cloth- please do not use abrasive chemicals or bleach.
- Do NOT allow children to operate the lift mechanism.
- Do NOT allow children near the lift base when operating the mechanism.
- Do NOT stand inside the bed or the internal storage base.
- Do NOT overload the internal storage base.
- DO NOT jump on the product or any of its parts.

Deutsch

WICHTIG FÜR GASLIFT-BETTEN&WARTUNG

- Bitte legen Sie die Matratze oben auf den Bettrahmen.
- Bitte ziehen Sie nicht an den Gurtgriffen.
- Bitte drücken Sie kräftig, um das komprimierte Gas freizusetzen.
- Überprüfen Sie regelmäßig alle Schrauben und Befestigungen, um sicherzustellen, dass sie sicher sind.
- Wenn Sie Ihr Produkt bewegen, heben Sie es vorsichtig an seinen Platz.
- Mit einem leicht feuchten Tuch abwischen - bitte keine scheuernden Chemikalien oder Bleichmittel verwenden.
- Erlauben Sie Kindern NICHT, den Hebemechanismus zu bedienen.
- Lassen Sie Kinder NICHT in die Nähe des Liftsockels, wenn Sie den Mechanismus bedienen.
- Stellen Sie sich NICHT in das Bett oder in die Innenablage.
- Überlasten Sie den internen Liftsockel NICHT.
- Springen Sie NICHT auf das Produkt oder eines seiner Teile.

Français

IMPORTANT POUR LES LITS À RELEVAGE DE GAZ&MAINTENANCE

- Veuillez placer le matelas sur le dessus du cadre de lit.
- Ne tirez pas sur les poignées de la sangle.
- Appuyez fortement pour libérer le gaz comprimé.
- Vérifiez régulièrement que toutes les vis et fixations sont bien en place.
- Lorsque vous déplacez votre produit, soulevez-le avec précaution pour le mettre en place.
- Nettoyez avec un chiffon légèrement humide - n'utilisez pas de produits chimiques abrasifs ou d'eau de Javel.
- Ne laissez pas les enfants utiliser le mécanisme de levage.
- Ne laissez pas les enfants s'approcher de la base de levage lorsqu'ils actionnent le mécanisme.
- Ne vous tenez PAS à l'intérieur du lit ou de la base de stockage interne.
- Ne surchargez pas la base de stockage interne.
- Ne pas sauter sur le produit ou l'une de ses parties.

Italiano

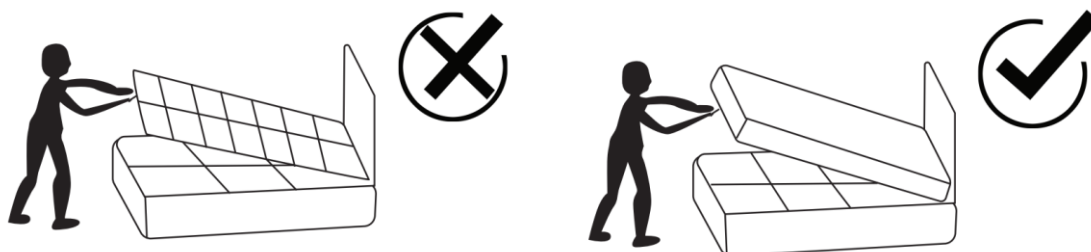
IMPORTANTE PER I LETTI CON SOLLEVAMENTO A GAS E LA MANUTENZIONE

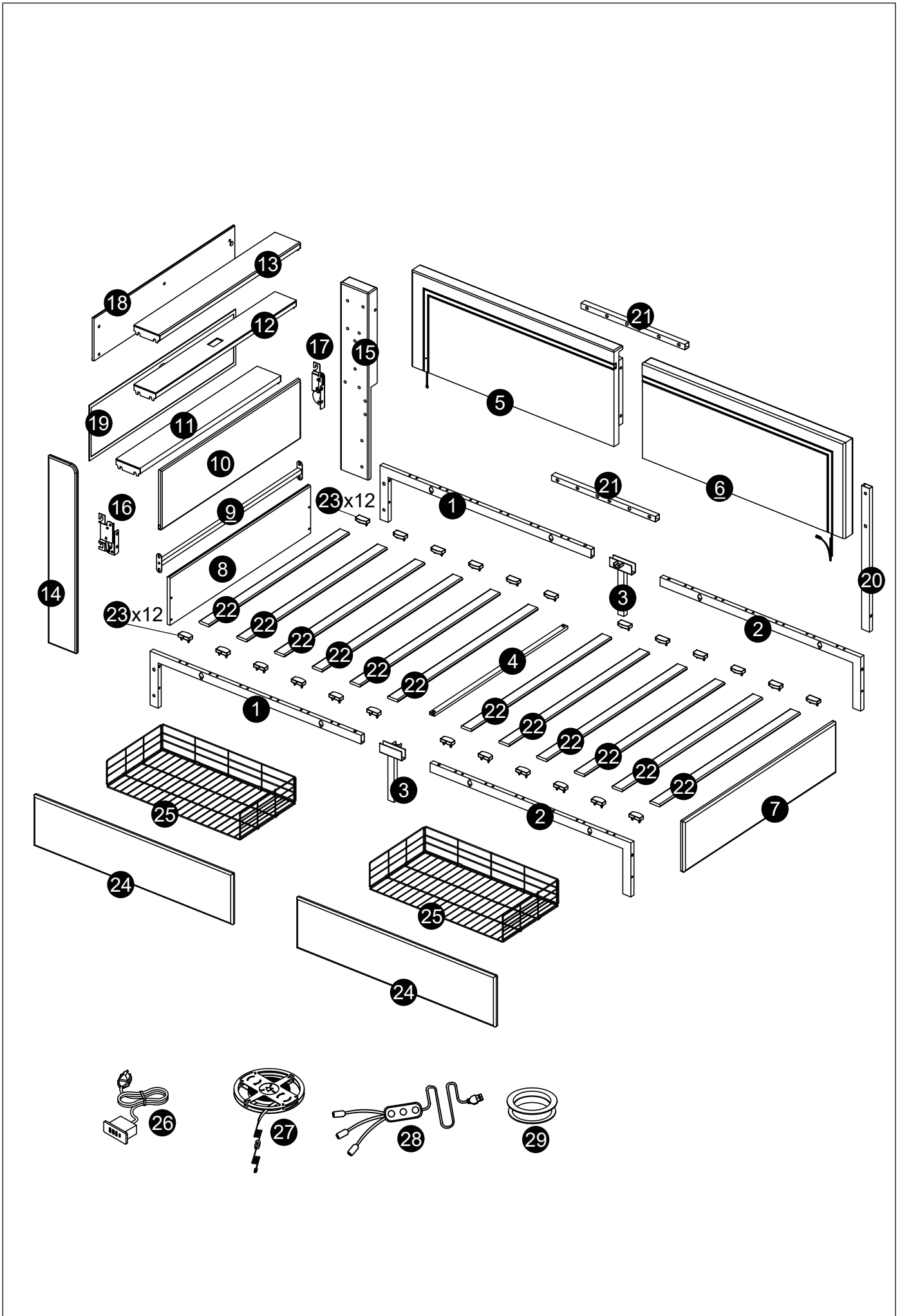
- Posizionare il materasso sopra la struttura del letto.
- Non tirare le maniglie della cinghia.
- Premere con forza per rilasciare il gas compresso.
- Controllare periodicamente tutte le viti e i fissaggi per assicurarsi che siano saldi.
- Quando si sposta il prodotto, sollevarlo con cautela.
- Pulire con un panno leggermente umido, senza usare prodotti chimici abrasivi o candeggina.
- NON permettere ai bambini di azionare il meccanismo di sollevamento.
- NON permettere ai bambini di avvicinarsi alla base di sollevamento quando si aziona il meccanismo.
- NON sostare all'interno del letto o della base di contenimento interna.
- NON sovraccaricare la base di contenimento interna.
- NON saltare sul prodotto o sulle sue parti.

Español

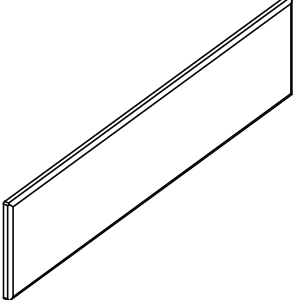
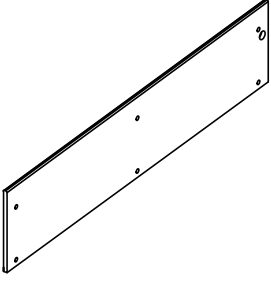
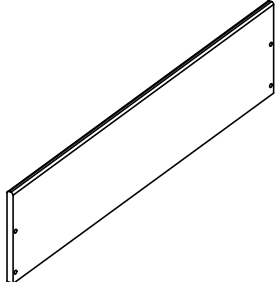
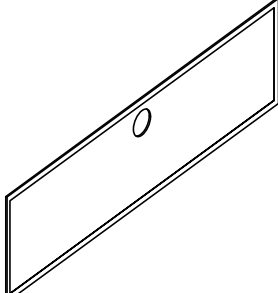
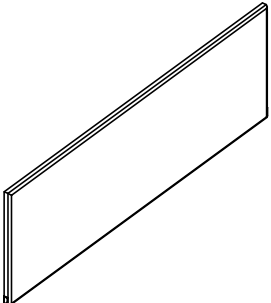
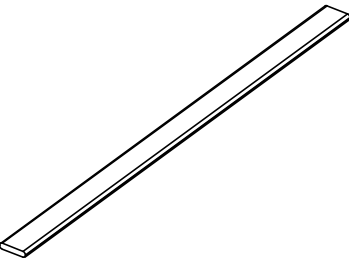
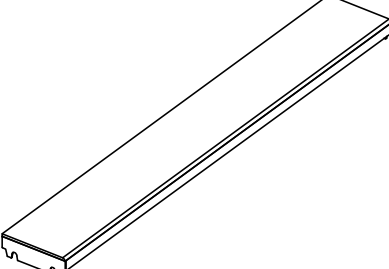
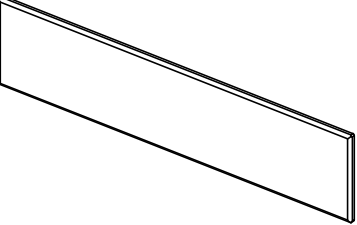


IMPORTANTE PARA LAS CAMAS ELEVADORAS DE GAS&MANTENIMIENTO

- Coloque el colchón sobre el somier.
- No tire de las asas de la correa.
- Presione con fuerza para liberar el gas comprimido.
- Compruebe periódicamente que todos los tornillos y fijaciones estén bien sujetos.
- Al mover el producto, levántelo con cuidado para colocarlo en su sitio.
- Limpie con un paño ligeramente humedecido; no utilice productos químicos abrasivos ni lejía.
- NO permita que los niños accionen el mecanismo de elevación.
- NO permita que los niños se acerquen a la base elevadora cuando accionen el mecanismo.
- NO se ponga de pie dentro de la cama o de la base de almacenamiento interna.
- NO sobrecargue el somier.
- NO salte sobre el producto ni sobre ninguna de sus piezas.

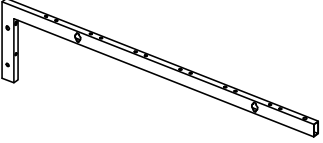
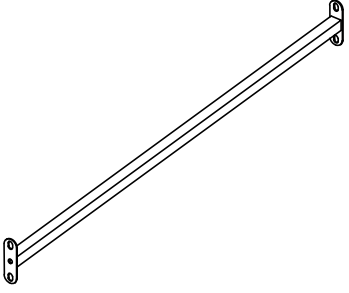
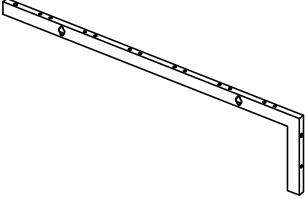
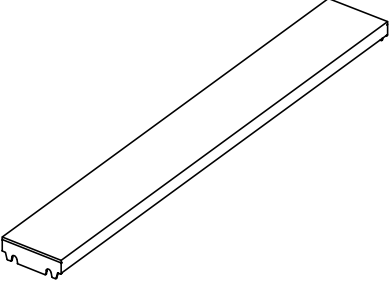
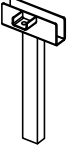
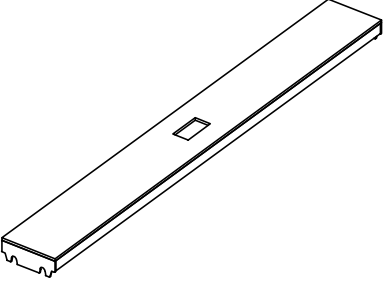
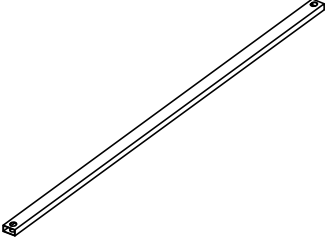
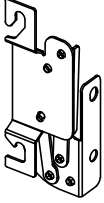
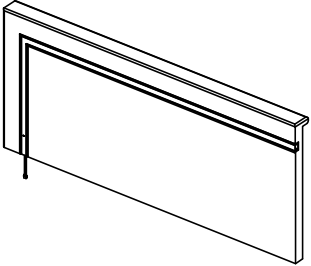

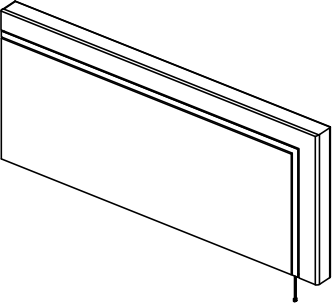





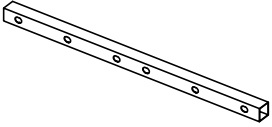

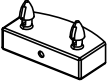
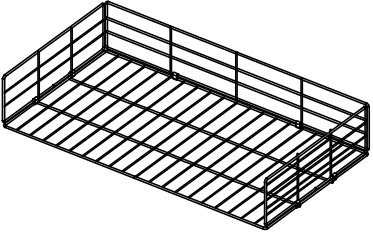
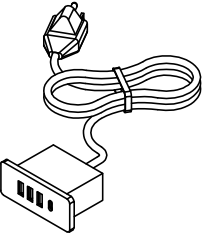
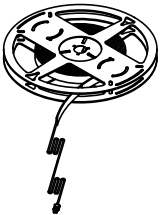
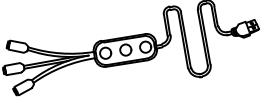
N623P381141

<p>7</p>		<p>x1</p>	<p>18</p>		<p>x1</p>
<p>8</p>		<p>x1</p>	<p>19</p>		<p>x1</p>
<p>10</p>		<p>x1</p>	<p>22</p>		<p>x12</p>
<p>13</p>		<p>x1</p>	<p>24</p>		<p>x2</p>
<p>14</p>		<p>x1</p>			
<p>15</p>		<p>x1</p>			

N623P381142


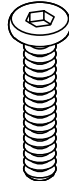
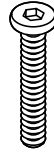


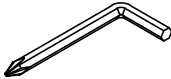




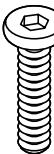

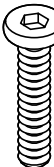

<p>1</p>		<p>x2</p>	<p>9</p>		<p>x1</p>
<p>2</p>		<p>x2</p>	<p>11</p>		<p>x1</p>
<p>3</p>		<p>x2</p>	<p>12</p>		<p>x1</p>
<p>4</p>		<p>x1</p>	<p>16</p>		<p>x1</p>
<p>5</p>		<p>x1</p>	<p>17</p>		<p>x1</p>
<p>6</p>		<p>x1</p>	<p>20</p>		<p>x1</p>

N623P381142

<p>21</p>		<p>x2</p>	<p>29</p>		<p>x1</p>
<p>23</p>		<p>x24</p>			
<p>25</p>		<p>x2</p>			
<p>26</p>		<p>x1</p>			
<p>27</p>		<p>x1</p>			
<p>28</p>		<p>x1</p>			

Hardware List-Hardware-Liste-Liste du matériel

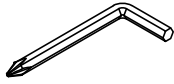
N623P381142

<p>A</p>	 <p>M6x20</p>	<p>x6+1</p>	<p>H</p>	 <p>M8x55</p>	<p>x10+1</p>			
<p>B</p>	 <p>M6x55</p>	<p>x4+1</p>	<p>I</p>	 <p>ST3x12</p>	<p>x2</p>			
<p>C</p>	 <p>M8x15</p>	<p>x4+1</p>	<p>J</p>	 <p>S5</p>	<p>x1</p>			
<p>D</p>	 <p>M8x10</p>	<p>x10+1</p>	<p>K</p>	 <p>S4</p>	<p>x1</p>			
<p>E</p>	 <p>M8x20</p>	<p>x22+1</p>	<p>L</p>	 	<p>x8</p>			
<p>F</p>	 <p>M8x35</p>	<p>x2+1</p>	<p>M</p>	 	<p>x6</p>			
<p>G</p>	 <p>M8x40</p>	<p>x20+1</p>	<p>N</p>	 	<p>x4</p>			

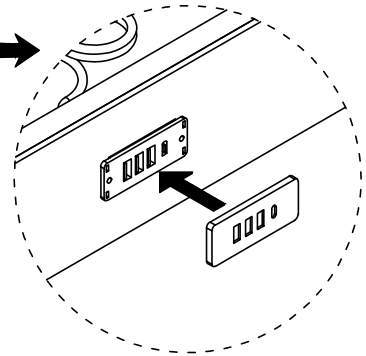
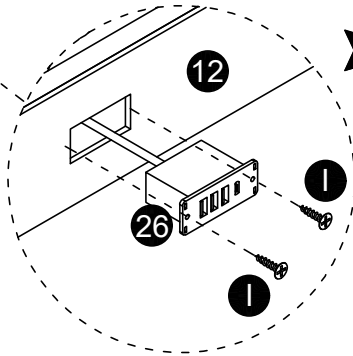
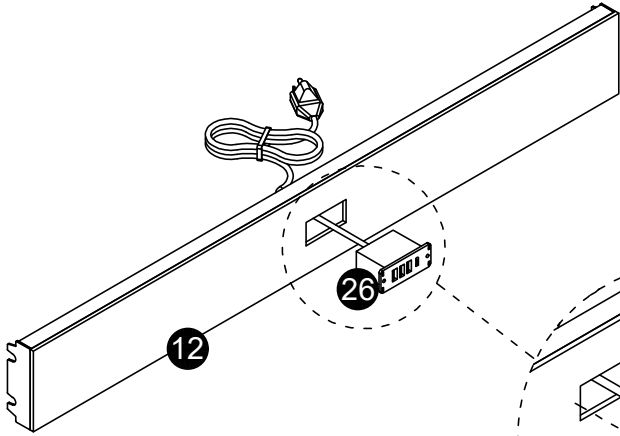
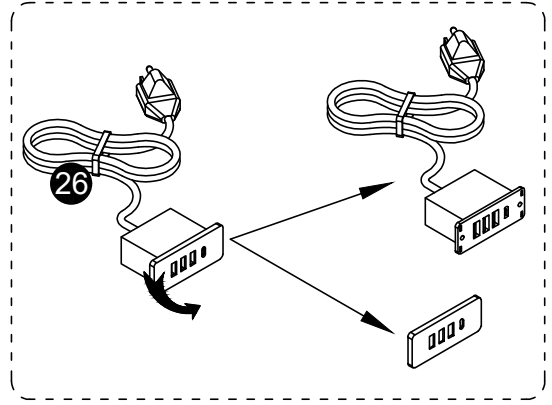
1



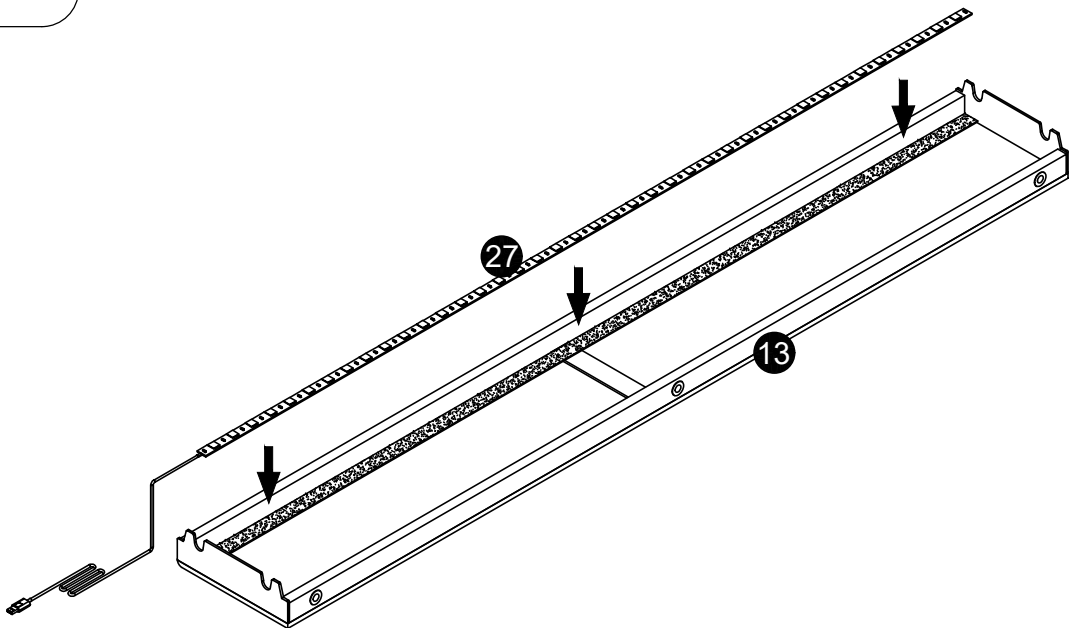
ST3x12
1x2pcs



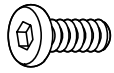
S5
Jx1pc



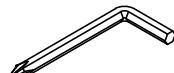
2



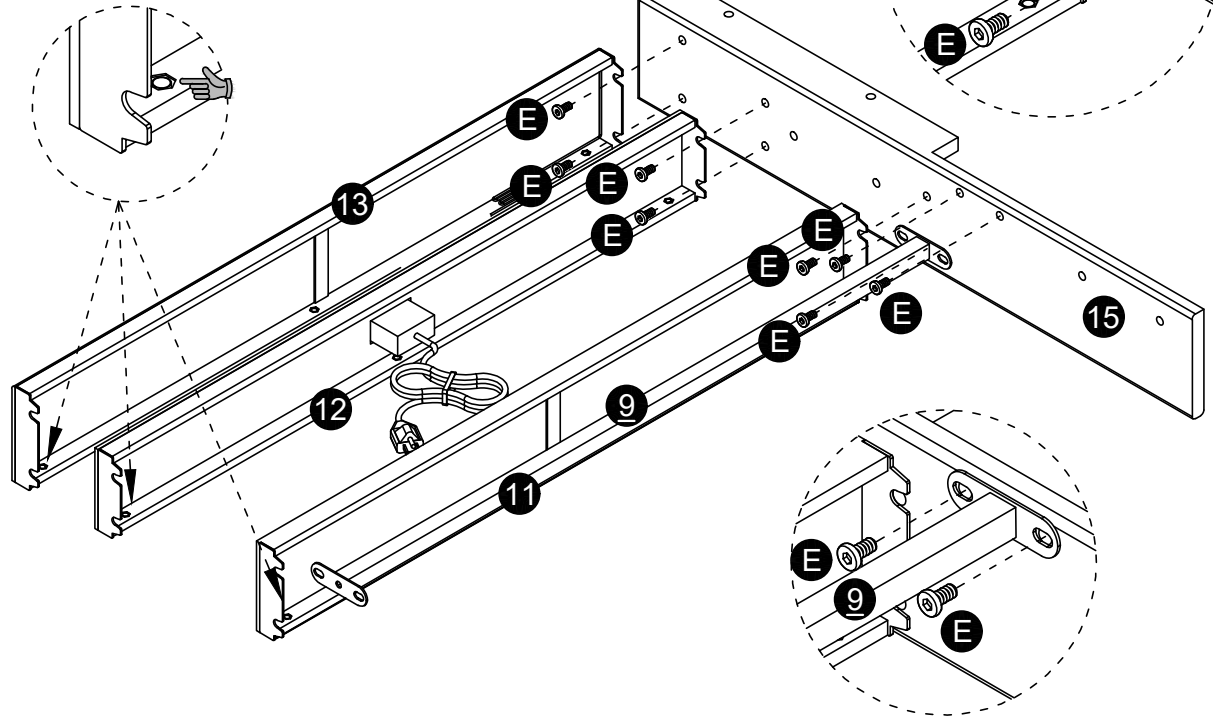
3



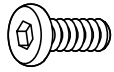
M8x20
Ex8pcs



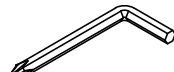
S5
Jx1pc



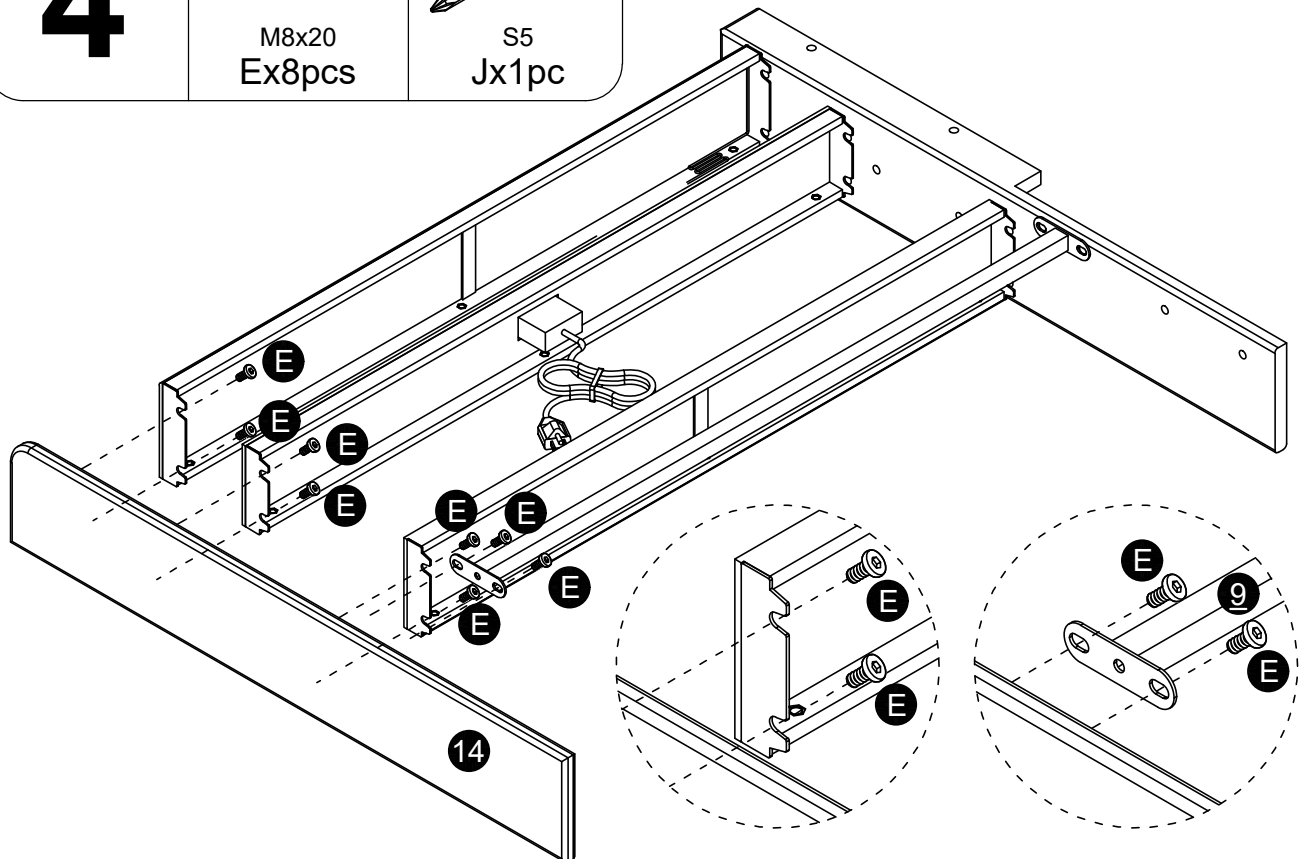
4



M8x20
Ex8pcs



S5
Jx1pc



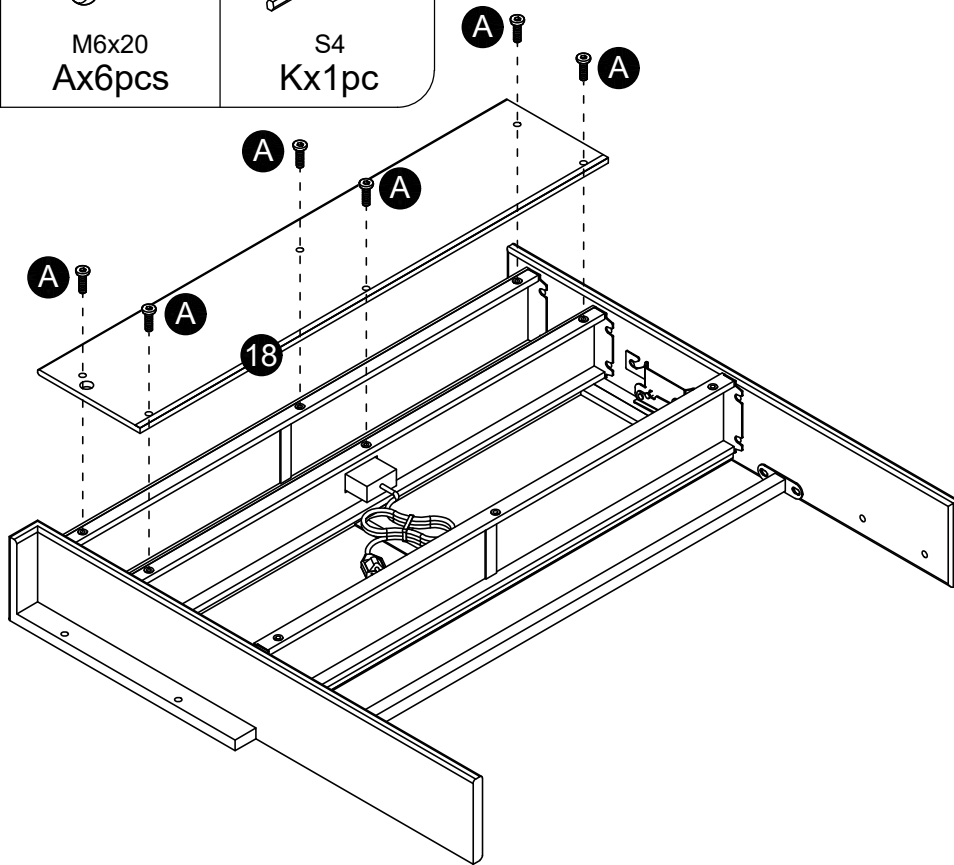
5



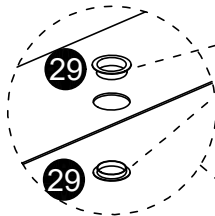
M6x20
Ax6pcs



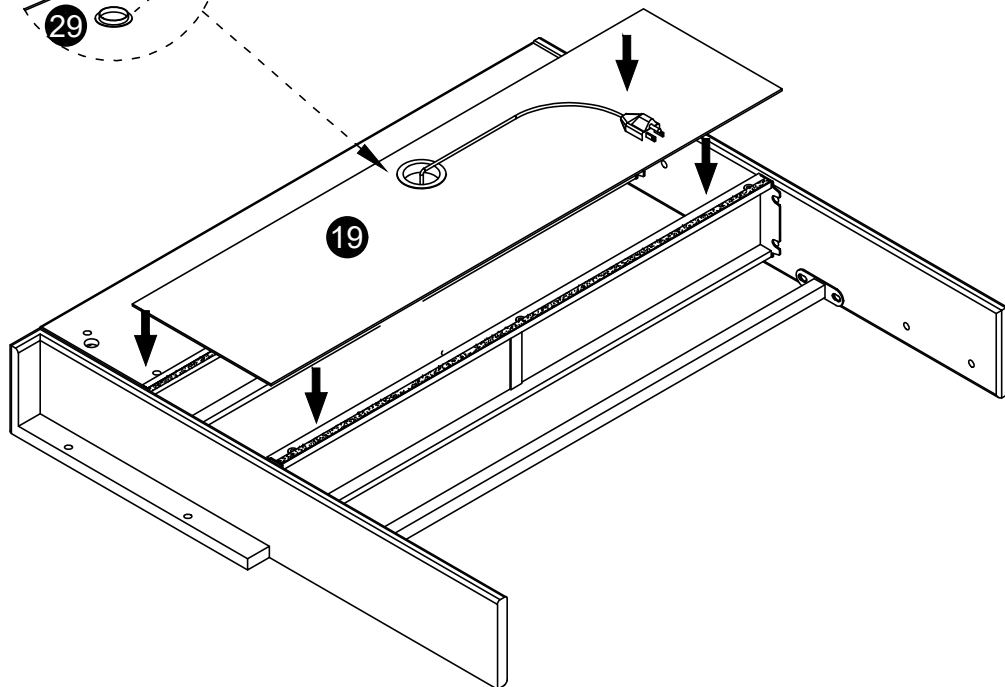
S4
Kx1pc



6



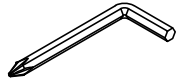
1. Separate accessory (29)
2. Place them separately on the front and back of the (19)hole and press them tightly



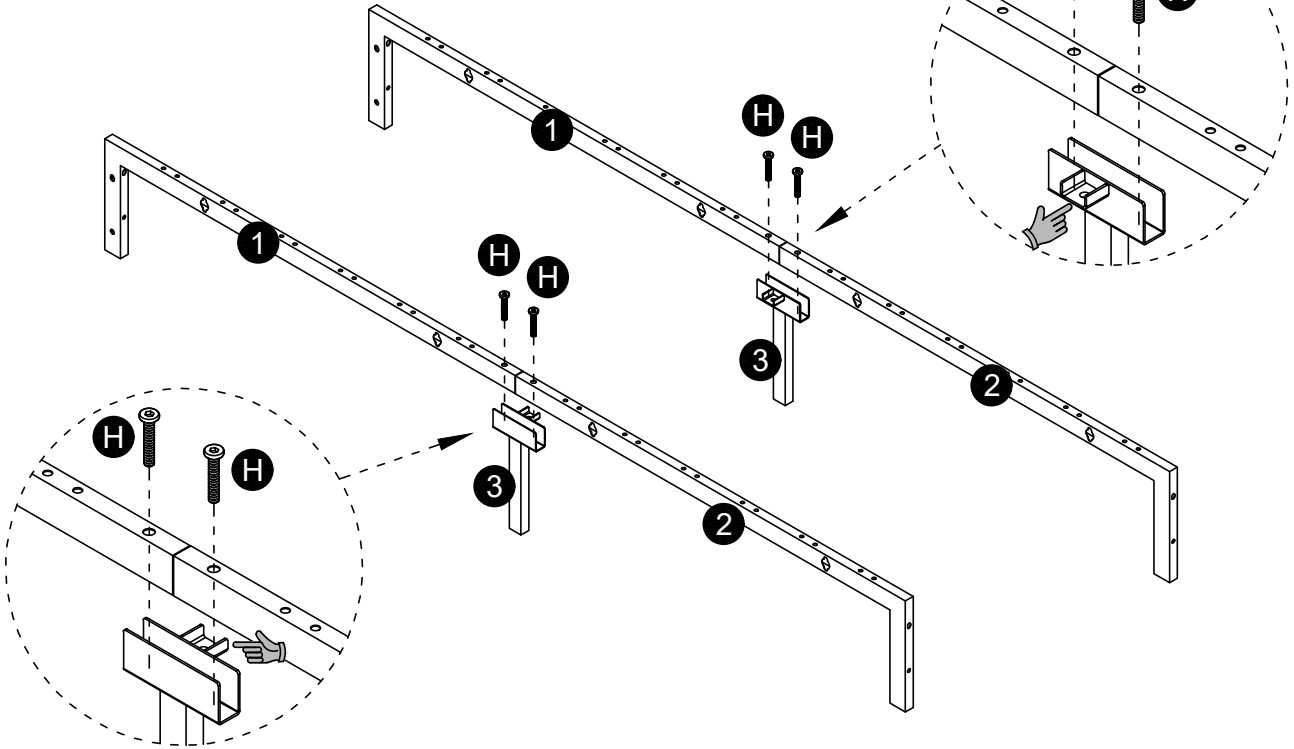
7



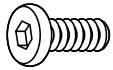
M8x55
Hx4pcs



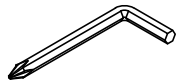
S5
Jx1pc



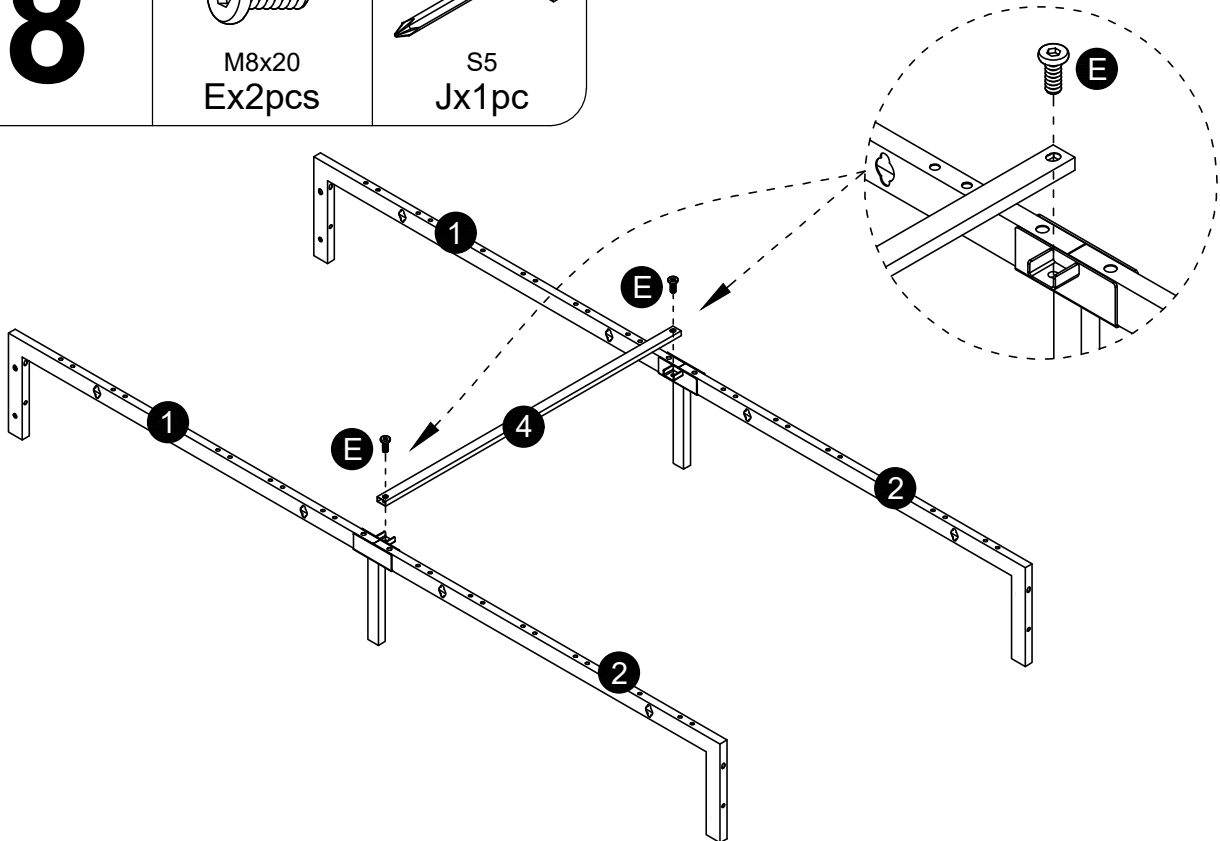
8



M8x20
Ex2pcs



S5
Jx1pc



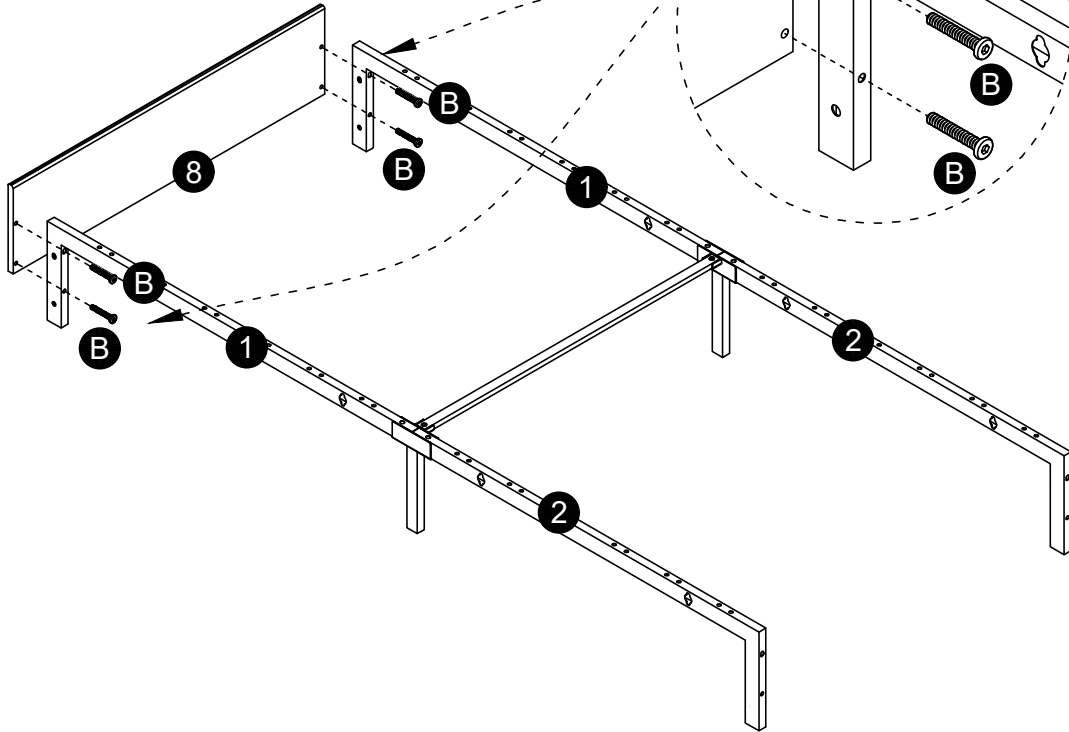
9



M6x55
Bx4pcs



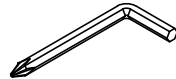
S4
Kx1pcs



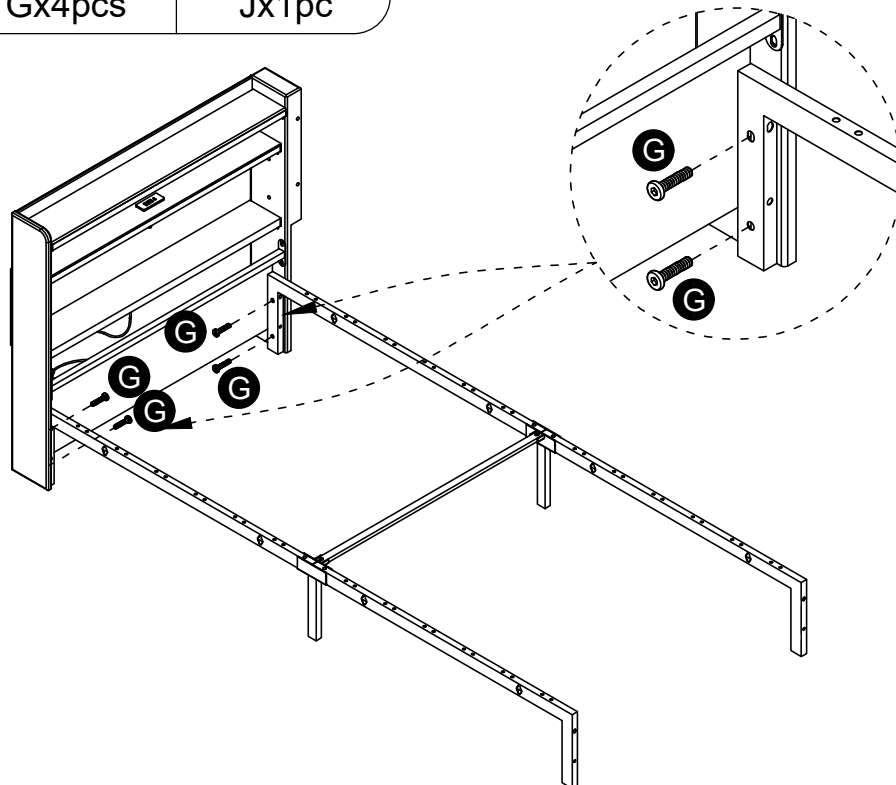
10



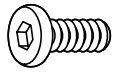
M8x40
Gx4pcs



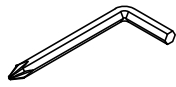
S5
Jx1pcs



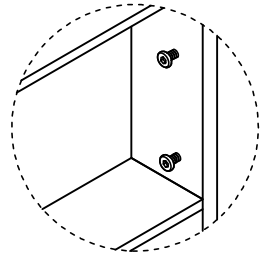
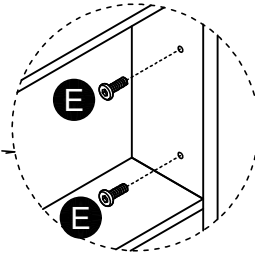
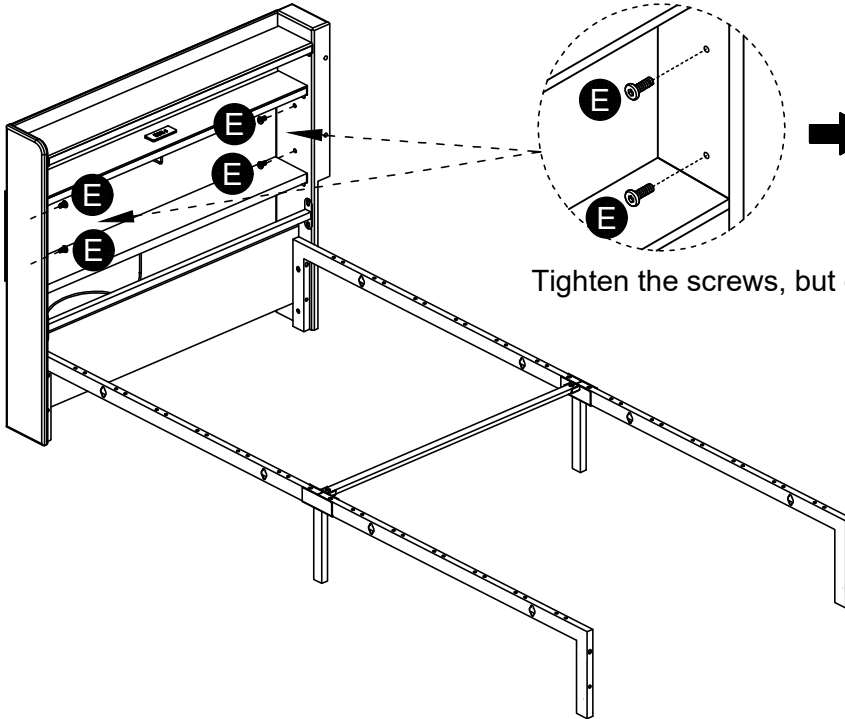
11



M8x20
Ex4pcs

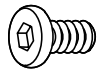


S5
Jx1pc

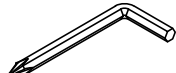


Tighten the screws, but do not over-tighten them.

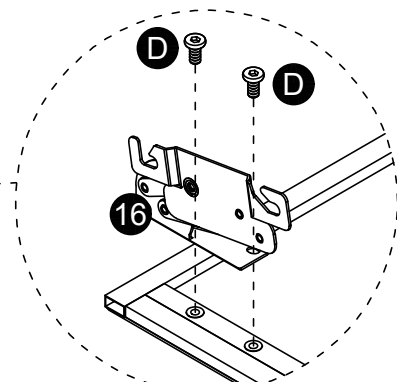
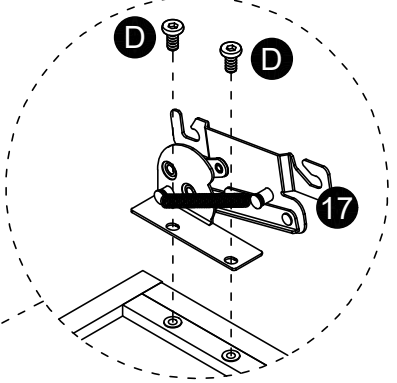
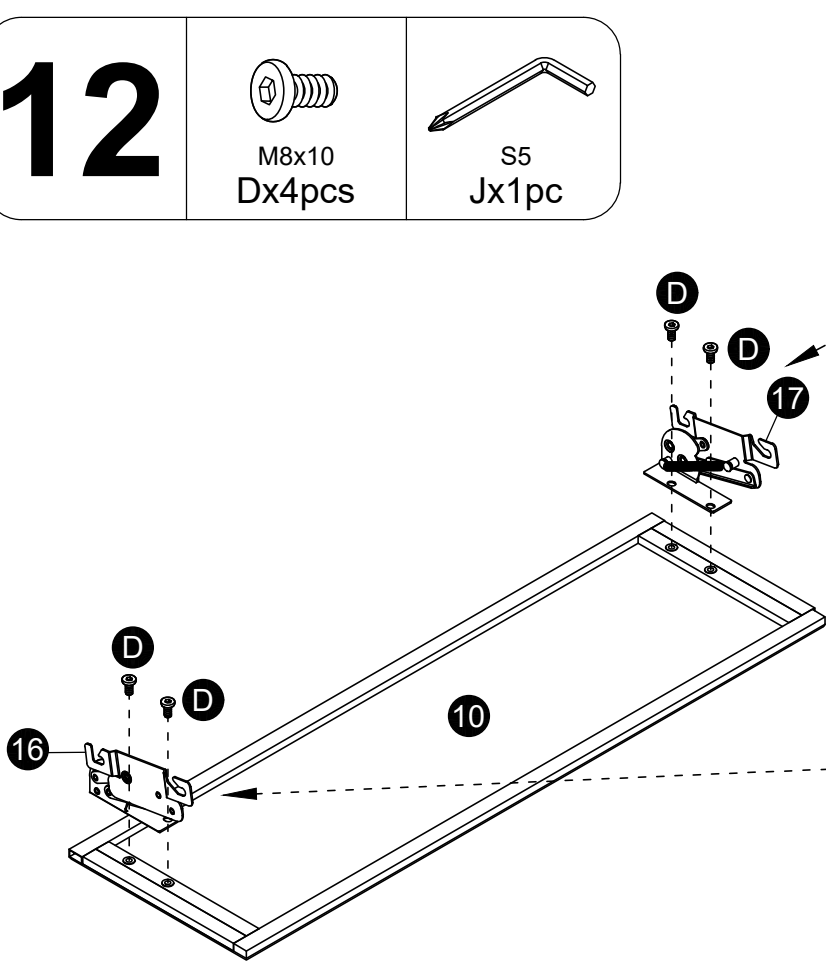
12



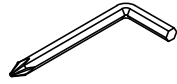
M8x10
Dx4pcs



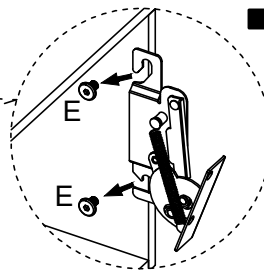
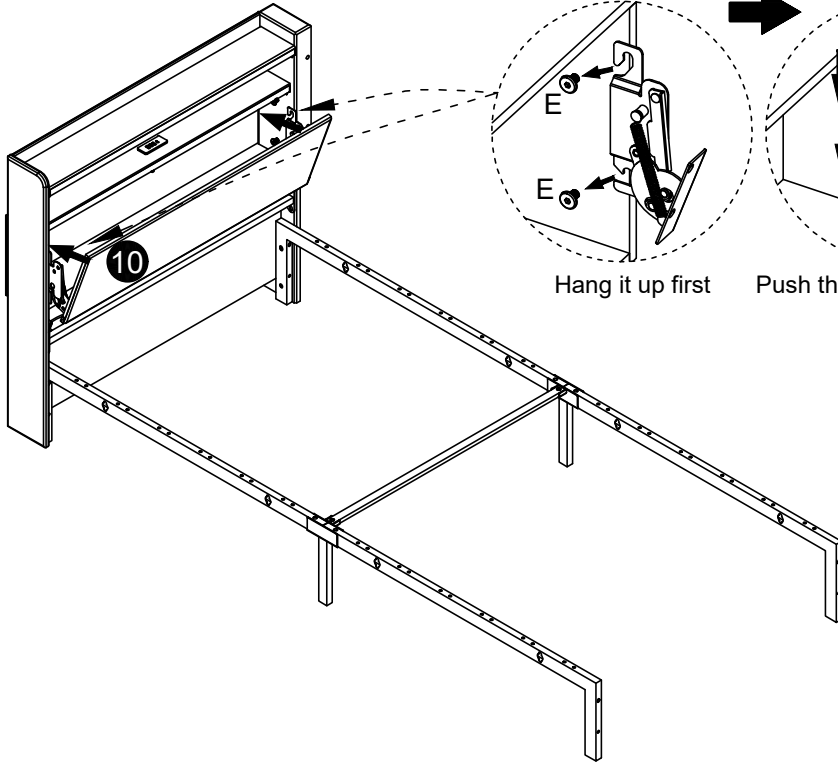
S5
Jx1pc



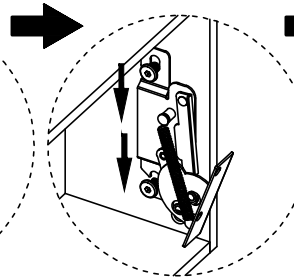
13



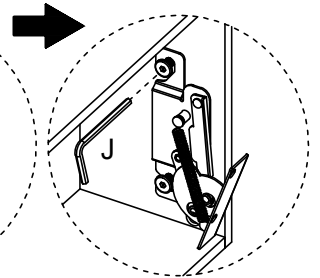
S5
Jx1pc



Hang it up first



Push the hinge downwards

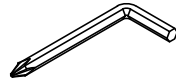


Tighten bolt E 100%

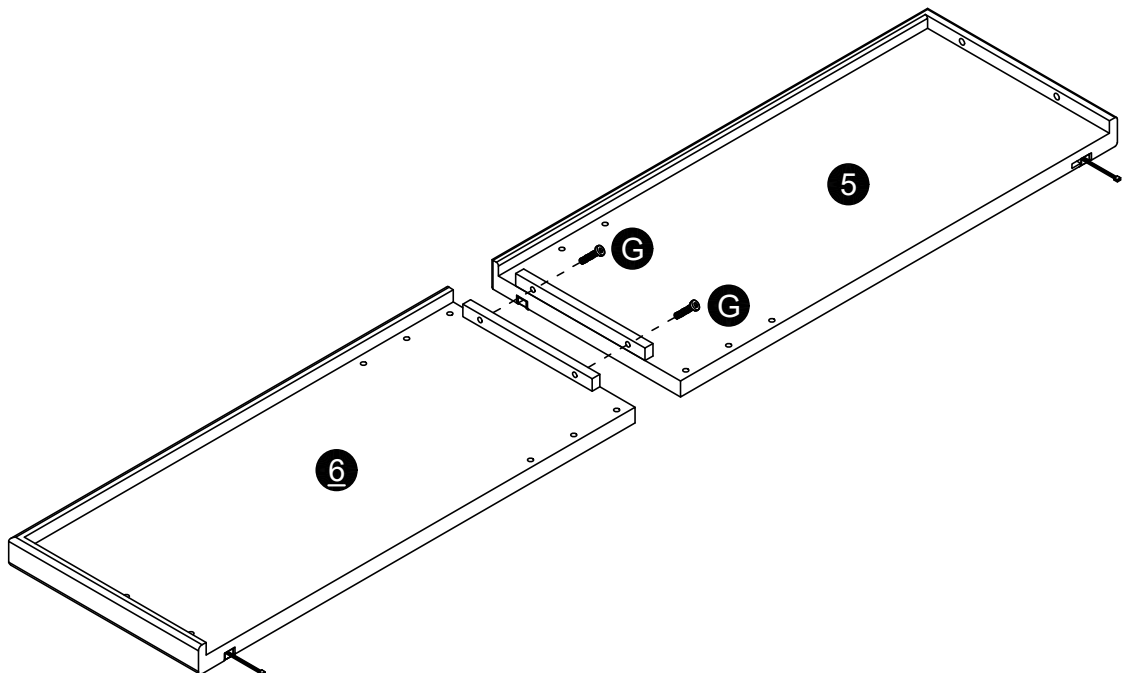
14



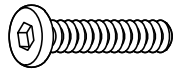
M8x40
Gx2pcs



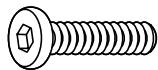
S5
Jx1pc



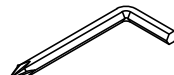
15



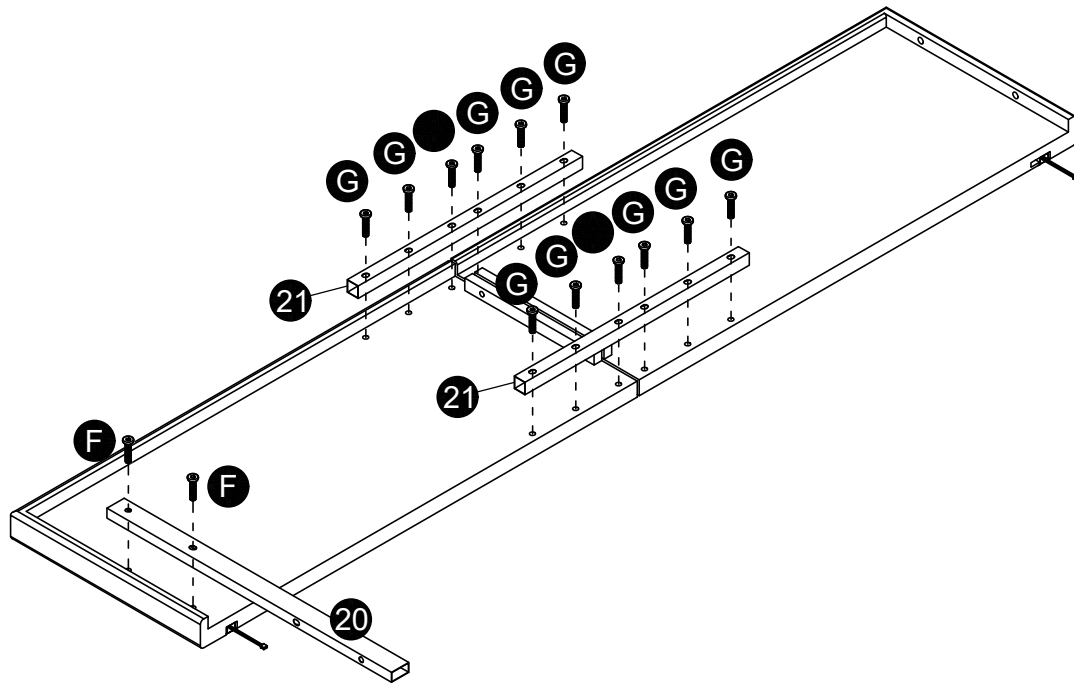
M8x40
Gx12pcs



M8x35
Fx2pcs



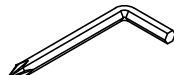
S5
Jx1pc



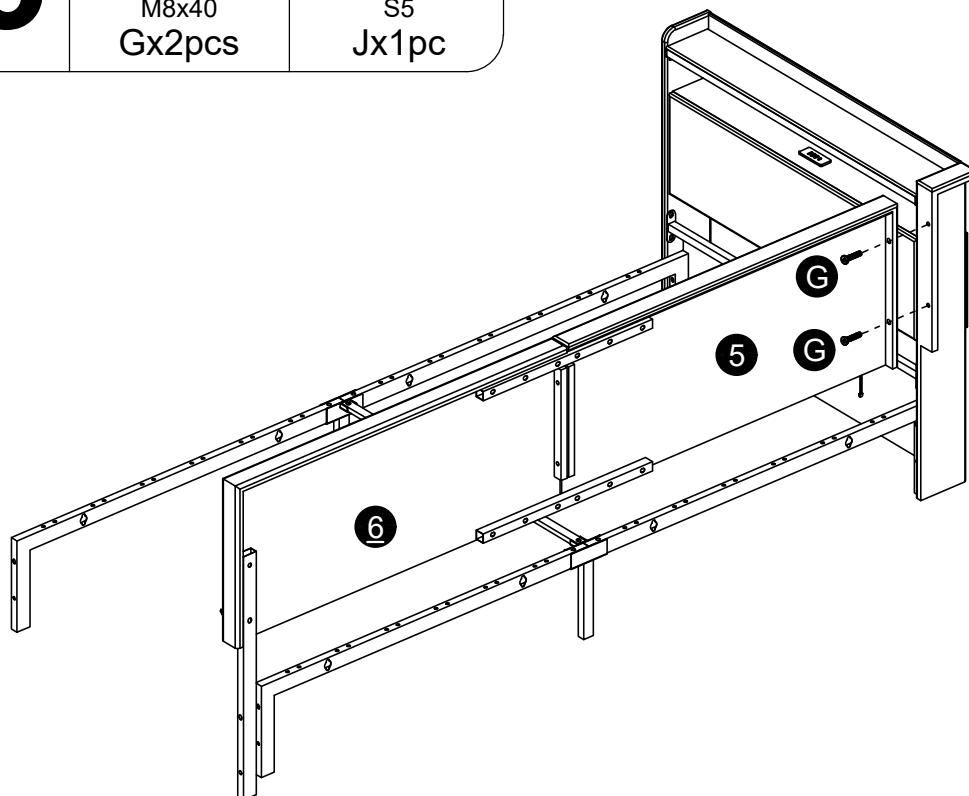
16



M8x40
Gx2pcs



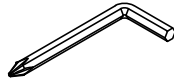
S5
Jx1pc



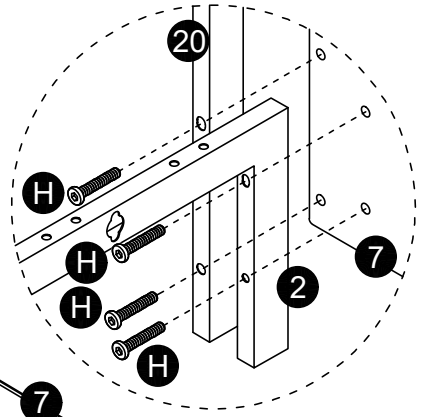
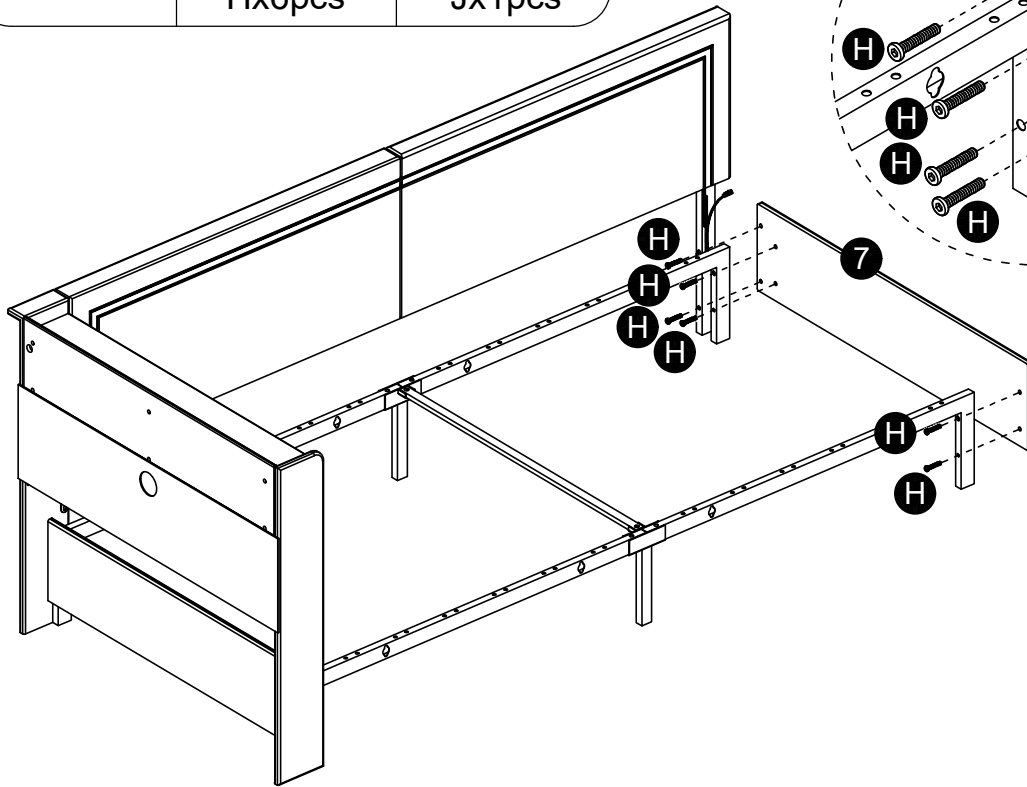
17



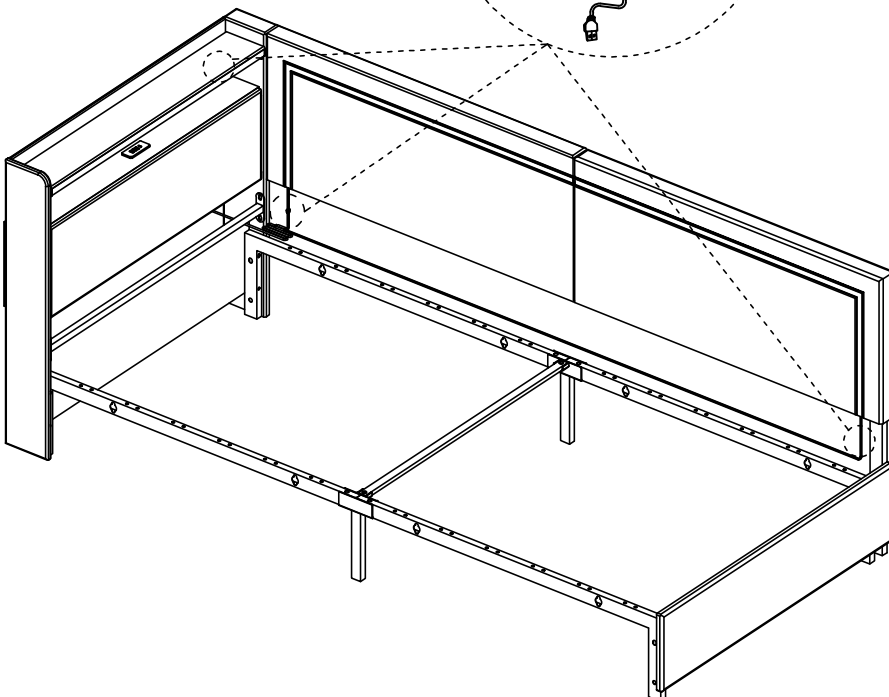
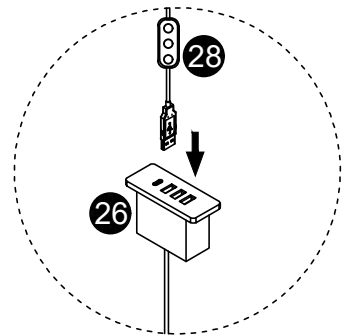
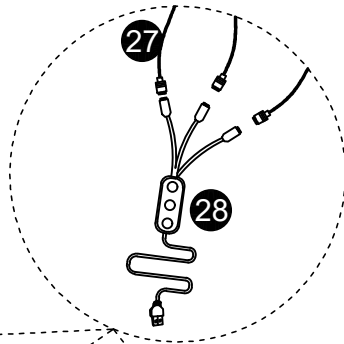
M8x55
Hx6pcs



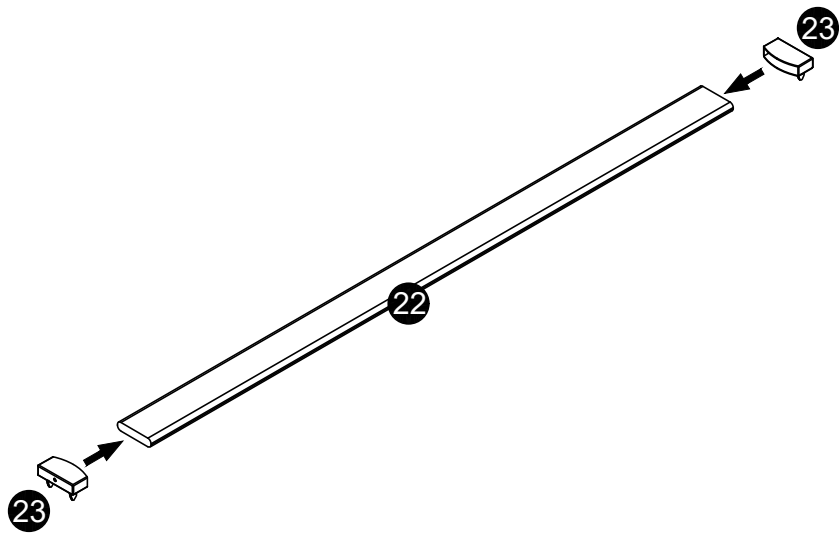
S5
Jx1pcs



18

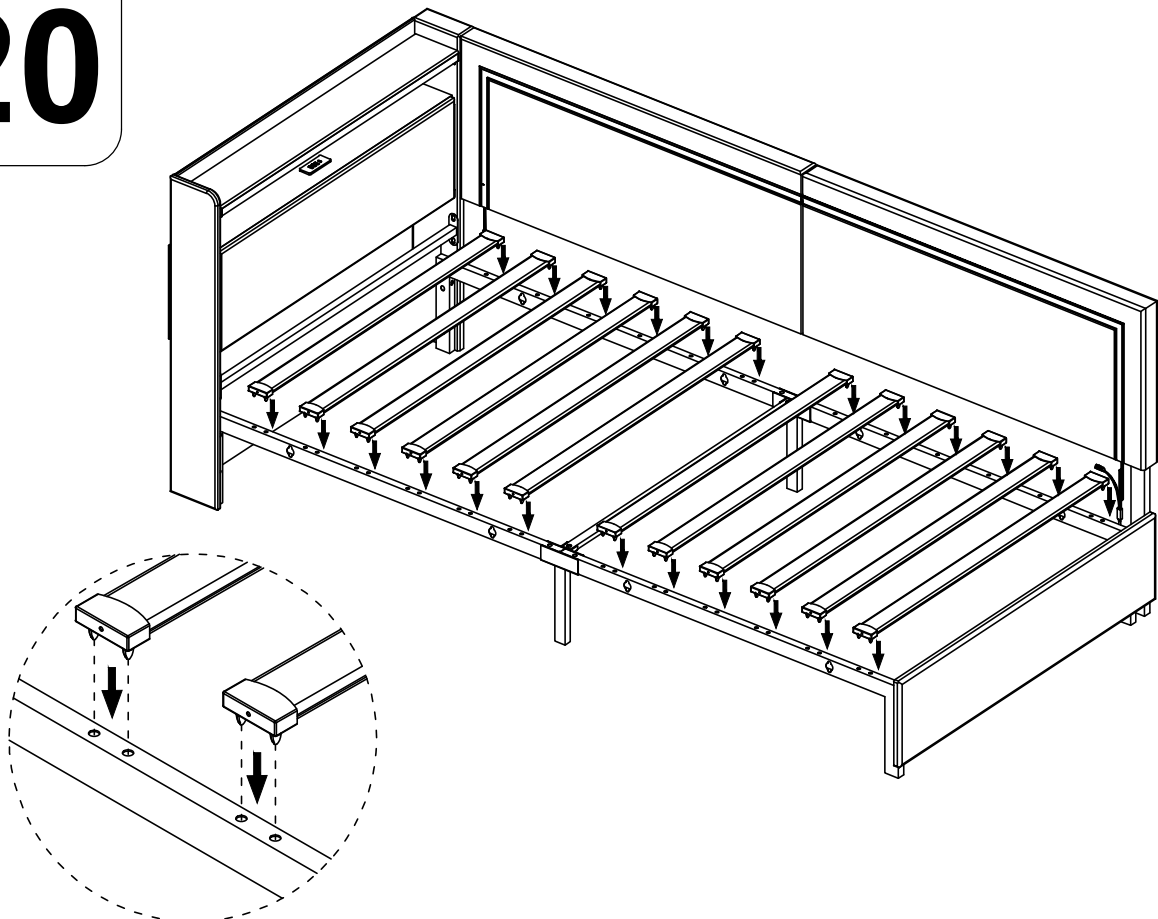


19

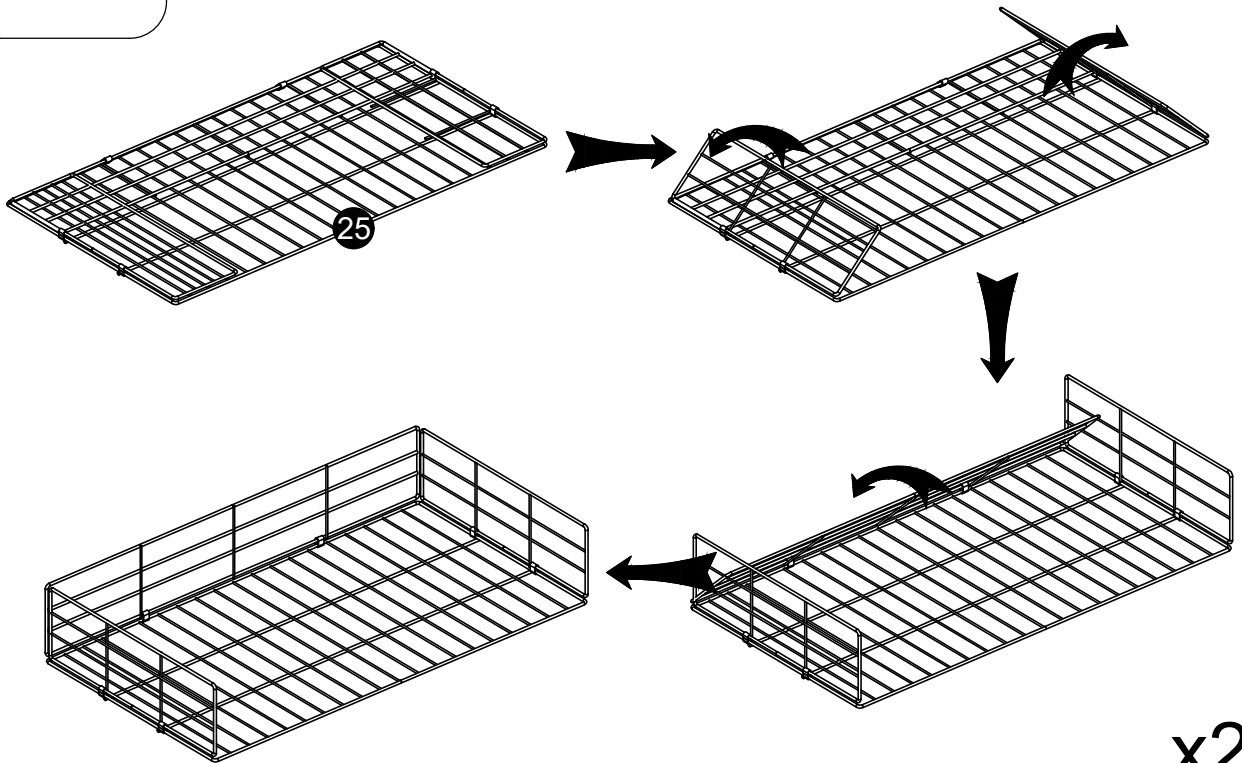


x12

20



21

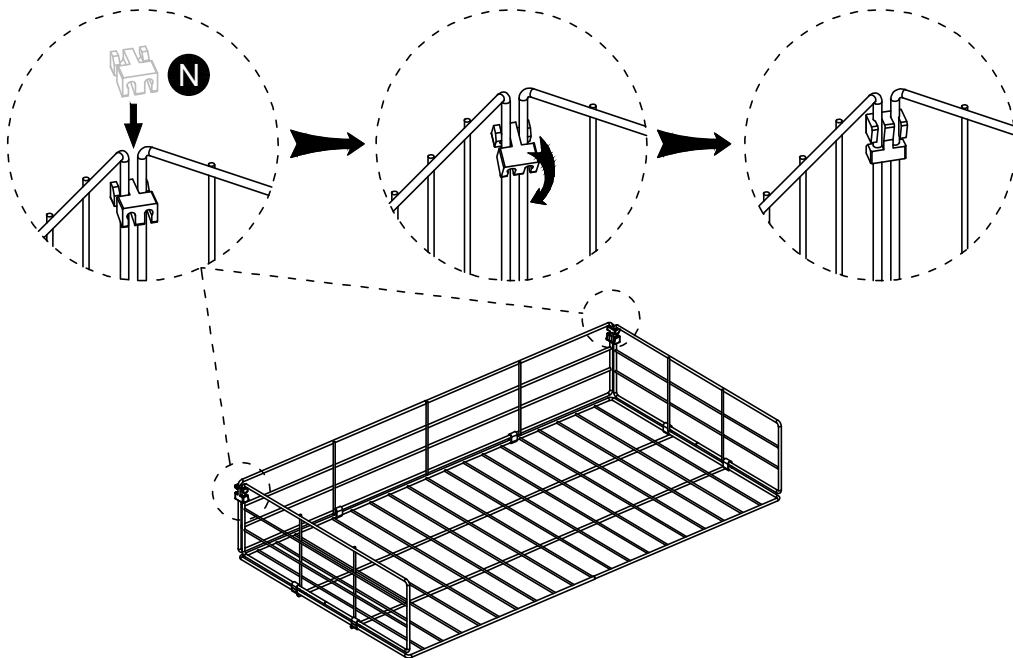


x2

22



Nx4pcs

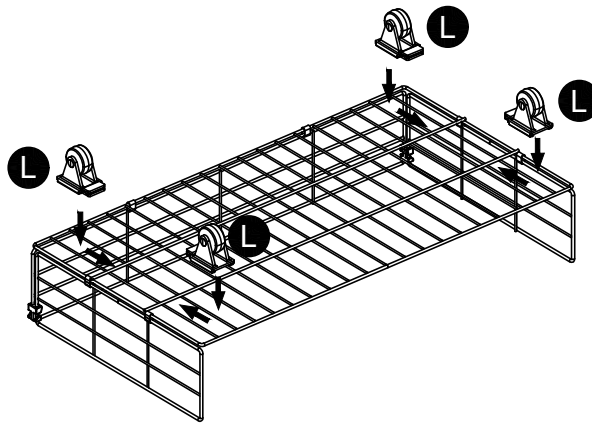
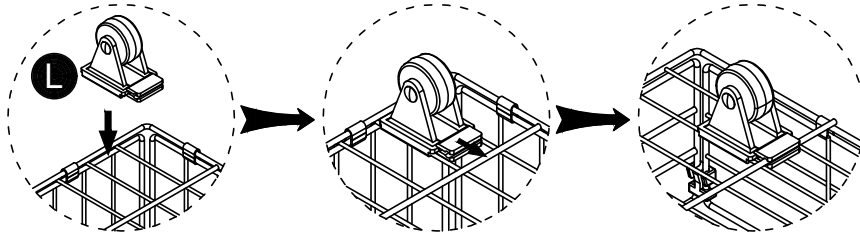


x2

23



Lx8pcs

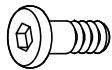


x2

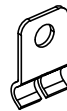
24



M8x10
Dx6pcs



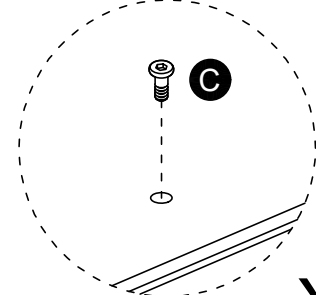
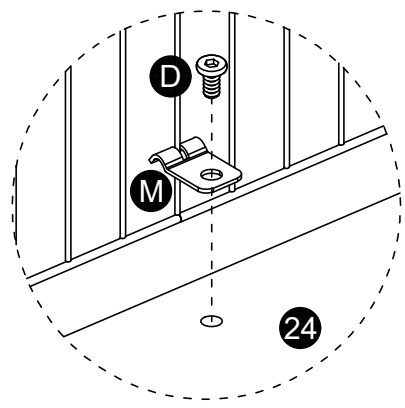
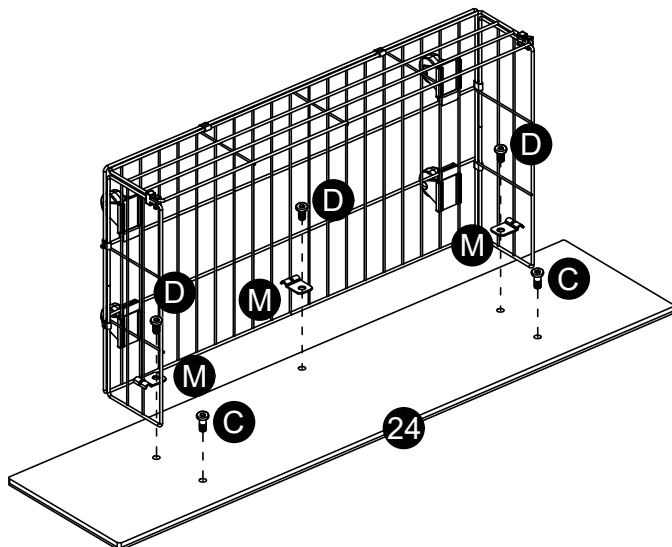
M8x15
Cx4pcs



Mx6pcs

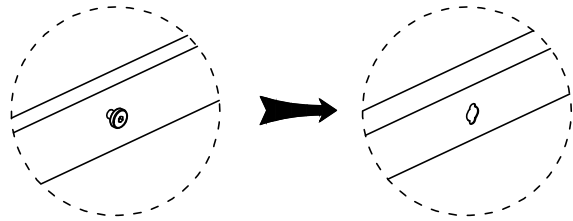


S5
Jx1pc

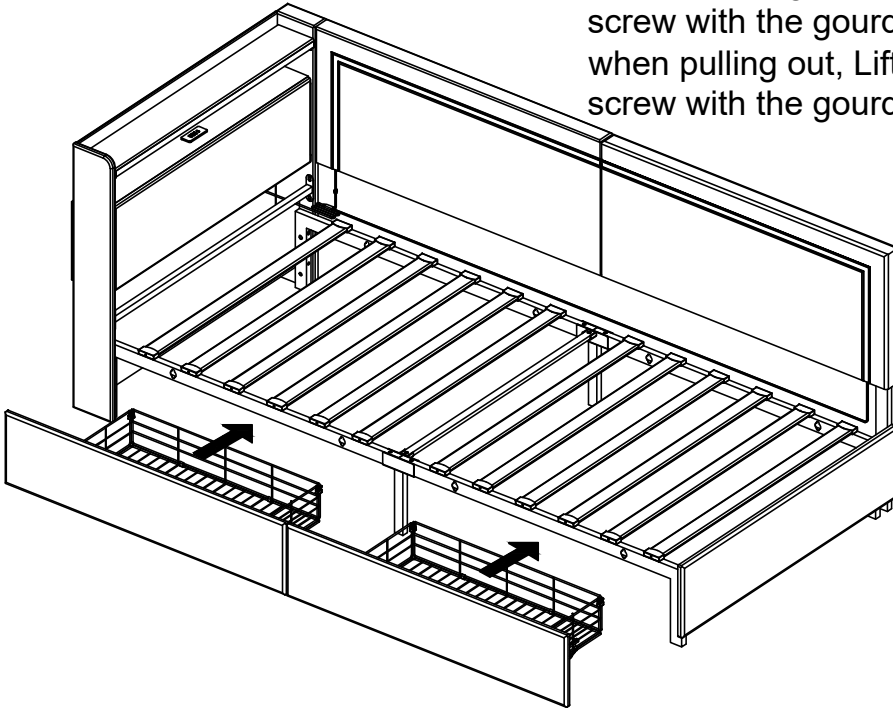


x2

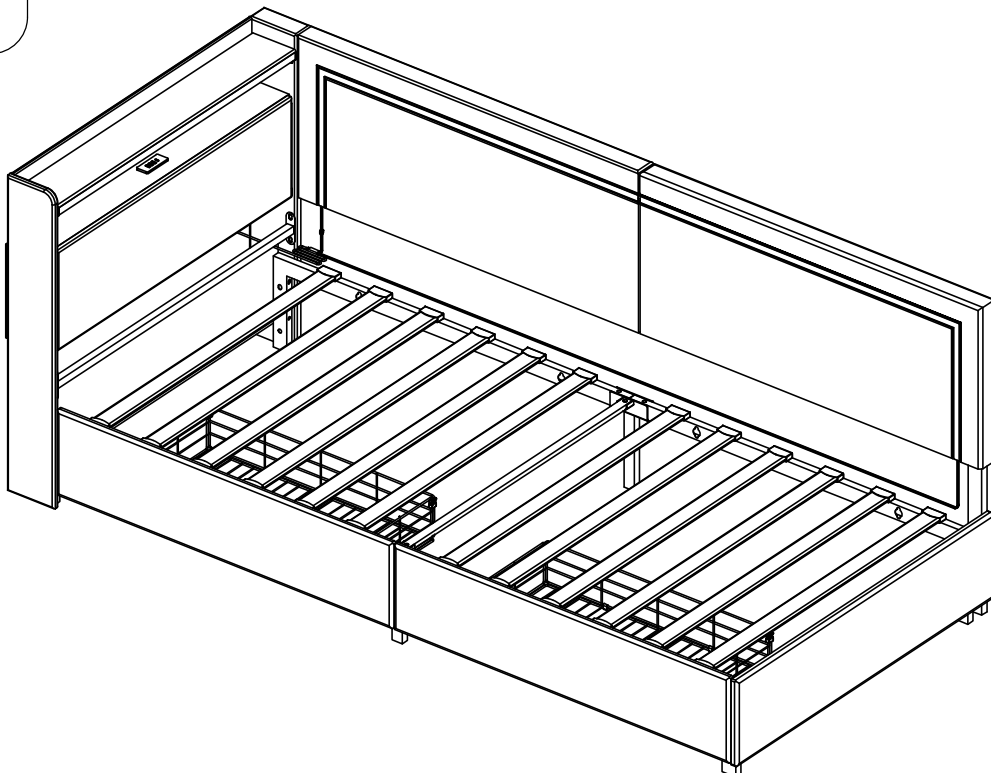
25



When pushing in, Lift the drawers gently, align the screw with the gourd hole and push in.
when pulling out, Lift the drawers gently, align the screw with the gourd hole, and then pull it out.



26





VERIFICATION OF CONFORMITY

No. : PTC25082917901E-RF01
Applicant : Dongguan Yihong Hardware electronics Co., LTD
Address : Room 1106,NO.2 Shangheng Road,Chang'an Town
Dongguan,Guangdong,523880 China
Manufacturer : Dongguan Yihong Hardware electronics Co., LTD
Address : Room 1106,NO.2 Shangheng Road,Chang'an Town
Dongguan,Guangdong,523880 China
Product : 2.4G Remote Controller
Trade Mark : -
Model : YH-629, YH-6181, YH-6183, YH-358
Ratings : DC 3V

The submitted sample of the above equipment has been tested and found to comply with the following European Directive:

Radio equipment Directive - 2014/53/EU

The standard(s) used for showing compliance with the essential requirements:

Applicable Standard(s)	Test Report(s) Number
ETSI EN 300 440 V2.2.1 (2018-07)	PTC25082917901E-EM01
ETSI EN 301 489-1 V2.2.3 (2019-11)	PTC25082917901E-EM02
ETSI EN 301 489-3 V2.3.2 (2023-01)	
EN 62479:2010	PTC25082917901E-EM03
EN IEC 62368-1:2020+A11:2020	PTC25082917901S-LD01

This verification is part of the full test report(s) and should be read in conjunction with it. This verification is based on an evaluation of one sample of above mentioned product. It does not imply assessment of the production of the product. Without the written approval of Precise Testing & Certification (Guangdong) Co., Ltd., this verification is not permitted to be reproduced, except in full. It is not permitted to use the test lab's logo. Provided that other applicable Directive requirements are satisfied, the manufacturer (or the European authorized representative), may draw up an EC/EEA Declaration of Conformity and affix the CE-marking to each conforming product.



Jacky Ou

Jacky Ou
Manager
Date: 2025-09-23



Verification of Compliance

Verification No.:	MK23020083-P01C01
Name and address of Applicant:	Shenzhen Hongzhengyu Technology Co., LTD Shenzhen baoan district rock street industrial science and technology industrial park of 2 Haitian lanyu 3 5 floor of A
Name and address of Manufacturer:	Shenzhen Hongzhengyu Technology Co., LTD Shenzhen baoan district rock street industrial science and technology industrial park of 2 Haitian lanyu 3 5 floor of A
Product name:	Lamp strip HZY-2835-120D-12V, HZY-2835-30D-5V, HZY-2835-60D-5V, HZY-2835-120D-5V, HZY-2835-60D-12V, HZY-2835-60D-24V, HZY-2835-120D-24V, HZY-2835RGB-60D-5V, HZY-2835RGB-60D-12V, HZY-5050-30D-5V, HZY-5050-60D-5V, HZY-5050-30D-12V, HZY-5050-60D-12V, HZY-5050-60D-24V, HZY-5050RGB-30D-5V, HZY-5050RGB-60D-5V, HZY-5050RGB-30D-12V, HZY-5050RGB-60D-12V, HZY-5050RGB-60D-24V
Product model(s):	
Product trademark:	N/A

This verification confirms that the product meets the requirements of the following standard.

The conformity was demonstrated based on following standard(s) listed by European Commission as harmonized with Directive RoHS 2.0 Directive (EU) 2015/863 and (EU)2017/2102 amending Annex II to Directive 2011/65/EU

IEC 62321-1:2013	IEC 62321-3-1:2013
IEC 62321-4:2013/AMD1:2017	IEC 62321-5:2013
IEC 62321-6:2015	IEC 62321-7-1:2015
IEC 62321-7-2:2017	IEC 62321-8:2017

The verification has been carried out in accordance with individual rules and conditions agreed with the applicant. Evaluation has been carried out in accordance with:

Test report(s) No.:	MK23020083-P01C01
Test conducted by:	TMC Testing Services (Shenzhen) Co., Ltd.
Verification issue date:	February 25, 2023

Notes:

This verification refers to the above mentioned product and its conformity in regards of above mentioned standard(s) was proven on test sample.

This verification does not imply meeting all essential requirements, assessment of the series-production or any other restricted Notified Bodies conformity assessment procedure appropriate for the product.

This verification holder shall use this verification in connection to verification of conformity and technical data relevant for the product the verification was issued.

TMC Testing Services (Shenzhen) Co., Ltd.

t:86-755-86642861 cert@tmc-lab.com www.tmc-lab.com

1st Floor, Block A1, Zone A, Xinshidai Gongrong Industrial Park, No. 2, Shihuan Road, Shiyuan Street, Baoan District, Shenzhen, China



Shenzhen ZKT Technology Co., Ltd.

1/F, No. 101, Building B, No. 6, Tangwei Community Industrial Avenue,
Fuhai Street, Bao'an District, Shenzhen, China



Certificate of Compliance

Certificate Number: ZKT-250327L5653C

- Certificate's Holder** : Guangdong Zhangong Electric Technology Co., Ltd
701, Building 29, zhifuyuan Industrial Zone, Xingtan town,
Shunde District, Foshan City, Guangdong Province
- Manufacturer** : Guangdong Zhangong Electric Technology Co., Ltd
701, Building 29, zhifuyuan Industrial Zone, Xingtan town,
Shunde District, Foshan City, Guangdong Province
- Trade Mark** : /
- Product** : Mountable USB Hub/USB CHARGER
- Model(s)** : ZG-USB-12-B
ZG-USB-12, ZG-USB-12-C
- Test Standard** : EN 61558-2-16:2009+A1:2013 used in conjunction with
EN IEC 61558-1:2019

This Attestation of Compliance is issued on a voluntary basis for electrical equipment below the voltage limits of Low Voltage Directive 2014/35/EU. The essential requirements are fulfilled accordingly based on the technical specifications applicable at the time of issuance. See also notes overleaf. It is only valid in connection with the test report number: ZKT-250327L5653S.



This Certificate of Conformity is based on single evaluation of the submitted sample(s) of the above mentioned product. It does not imply an assessment of the whole product and relevant Directives to be observed.

Shenzhen ZKT Technology Co., Ltd.
1/F, No. 101, Building B, No. 6, Tangwei Community Industrial Avenue,
Fuhai Street, Bao'an District, Shenzhen, China



Certificate of Compliance

Certificate Number: ZKT-25070215182C

Certificate's Holder : Dongguan Yihong Hardware Electronics Co., Ltd
Room 1106, No.2, Shangheng Road, Chang' an Town,
Dongguan

Manufacturer : Dongguan Yihong Hardware Electronics Co., Ltd
Room 1106, No.2, Shangheng Road, Chang' an Town,
Dongguan

Trade Mark : N/A

Product : LED controller

Model(s) : YH-6183
YH-252, YH-284, YH-290, YH-287, YH-358, YH-360, YH-6180,
YH-6184

Requirement	Standard	Report No.
Art.3.1(a) Safety	EN IEC 62368-1:2024+A11:2024	ZKT-25070215183S
Art.3.1(a) Health	EN IEC 62311:2020 EN 50665:2017	ZKT-25070215182E-1
Art.3.1(b) EMC	ETSI EN 301 489-1 V2.2.3 (2019-11) ETSI EN 301 489-17 V3.3.0 (2024-07)	ZKT-25070215182E-2
Art.3.2 Radio	ETSI EN 300 328 V2.2.2 (2019-07)	ZKT-25070215182E-3

This Attestation of Compliance is issued on a voluntary basis for electrical equipment below the voltage limits of Radio Equipment Directive (RED) 2014/53/EU. The essential requirements are fulfilled accordingly based on the technical specifications applicable at the time of issuance.



This Certificate of Conformity is based on single evaluation of the submitted sample(s) of the above mentioned product. It does not imply an assessment of the whole product and relevant Directives to be observed.

DECLARATION OF CONFORMITY

We hereby,

Declare that our products listed below have fulfilled with relevant requirements of European Directives:

1. Company information:

Name	Dongguan Yihong Hardware electronics Co., LTD
Address	Room 1106,NO.2 Shangheng Road,Chang'an Town,Dongguan,Guangdong, 523880 China

2. Manufacture information:

Name	Dongguan Yihong Hardware electronics Co., LTD
Address	Room 1106,NO.2 Shangheng Road,Chang'an Town,Dongguan,Guangdong, 523880 China

3. Factory information:

Name	Dongguan Yihong Hardware electronics Co., LTD
Address	Room 1106,NO.2 Shangheng Road,Chang'an Town,Dongguan,Guangdong, 523880 China

4. Agent information:

Name	
Address	
Contact person	
Tel. No.	
E-mail	

5. Product information

Product Name	2.4G Remote Controller
Trade Mark	/
Model	YH-629
Ratings	DC 3V

6. Conformity information:

The submitted sample(s) of the above products has(have) been tested and found to comply with the following European Directives:

European Directives	Standards	Test Report(s) Number
Radio equipment Directive -2014/53/EU	ETSI EN 300 440 V2.2.1 (2018-07) ETSI EN 301 489-1 V2.2.3 (2019-11) ETSI EN 301 489-3 V2.3.2 (2023-01) EN 62479:2010 EN IEC 62368-1:2020+A11:2020	PTC25082917901E-EM01 PTC25082917901E-EM02 PTC25082917901E-EM03 PTC25082917901S-LD01



7. Test lab information:

Test lab	Precise Testing & Certification(Guangdong)Co.,Ltd
Lab address	Building 1, No.6, Tongxin Road, Dongcheng Street, Dongguan, Guangdong, China

The marking as show below affixed on the products after all necessary conformity documentations have been prepared.



8. Obligation

The Manufacturer or the authorized representative's obligation is to make sure all requirements set in this declaration letter be fulfilled.

The CEO and the Owner of (Zeng Wenfeng) take the sole responsibility of that product.

Signature: *Zeng Wenfeng*

Address: Room 1106, NO.2 Shangheng Road, Chang'an Town, Dongguan, Guangdong, 523880 China

Date: *2025.10.18*



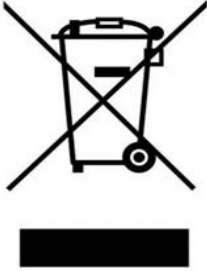


Importeur	Decobus Handel GmbH		
Adresse	Innungsstraße 9,21244 Buchholz,Deutschland		
Email/URL	https://www.decobusgroup.de		
Hersteller	Dongguan Yihong Hardware Electronics Co.. Ltd		
Adresse	Room 1106.No.2,Shangheng Road, Chang an Town		
Email/URL	414564409@qq.com		
Partienumm	202507		
Hergestellt in	China		
Produkt:LED Controller Modell: YH-358			
Nennspannung:5 V Nennfrequenz: 50/60Hz Leistung: 15W			
	<table border="1"><tr><td>EC</td><td>REP</td></tr></table> Decobus Handel GmbH Innungsstraße 9,21244 Buchholz,Deutschland https://www.decobusgroup.de	EC	REP
EC	REP		



Importeur	Decobus Handel GmbH		
Adresse	Innungsstraße 9,21244 Buchholz,Deutschland		
Email/URL	https://www.decobusgroup.de		
Hersteller	Shenzhen Hongzhengyu Technology Co., LTD		
Adresse	Shenzhen baoan district rock street industrial science and technology industrial park of 2 Haitian lanyu 3 5 floor of A		
Email/URL	522495222@qq.com		
Partienumm	202507		
Hergestellt in	China		
Produkt:LED soft light strip Model:HZY-5050RGB-30D-5V			
Nennspannung:5 V Nennfrequenz: 50/60Hz Leistung: 4.5W/M			
	<table border="1"><tr><td>EC</td><td>REP</td></tr></table> Decobus Handel GmbH Innungsstraße 9,21244 Buchholz,Deutschland https://www.decobusgroup.de	EC	REP
EC	REP		



Importeur	Decobus Handel GmbH		
Adresse	Innungsstraße 9,21244 Buchholz,Deutschland		
Email/URL	https://www.decobusgroup.de		
Hersteller	Dongguan Yihong Hardware Electronics Co.. Ltd		
Adresse	Room 1106.No.2,Shangheng Road, Chang an Town		
Email/URL	414564409@qq.com		
Partienumm	202507		
Hergestellt in	China		
Produkt: 2.4G Remote Controller Model: YH-629			
Rating: DC 3V			
	<table border="1"><tr><td>EC</td><td>REP</td></tr></table> Decobus Handel GmbH Innungsstraße 9,21244 Buchholz,Deutschland https://www.decobusgroup.de	EC	REP
EC	REP		



Importeur	Decobus Handel GmbH		
Adresse	Innungsstraße 9,21244 Buchholz,Deutschland		
Email/URL	https://www.decobusgroup.de		
Hersteller	Guangdong Zhangong Electrical Technology Co., LTD		
Adresse	701, Building 29, Zhifu Garden, Xingtan Town, Shunde District, Foshan City		
Email/URL	610488898@qq.com		
Partienumm	202507		
Hergestellt in	China		
Produkt: MOUNTABLE USB Hub/USB CHARGER Model:ZG-USB-12			
Input: 100-240V 50/60HZ			
	<table border="1"><tr><td>EC</td><td>REP</td></tr></table> Decobus Handel GmbH Innungsstraße 9,21244 Buchholz,Deutschland https://www.decobusgroup.de	EC	REP
EC	REP		