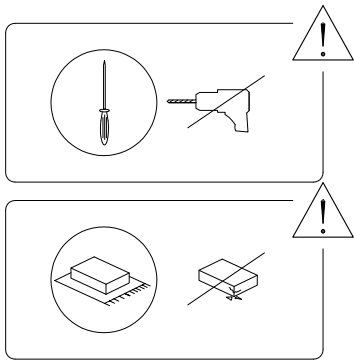
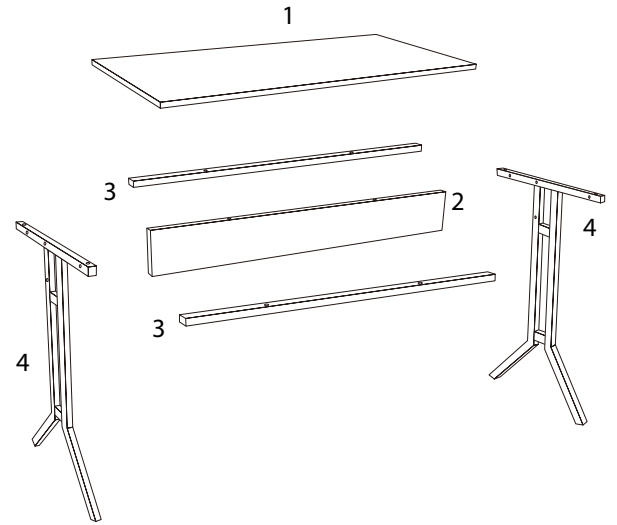


1	2	3	4	A1
x 1	x 1	x 2	x 2	x 2



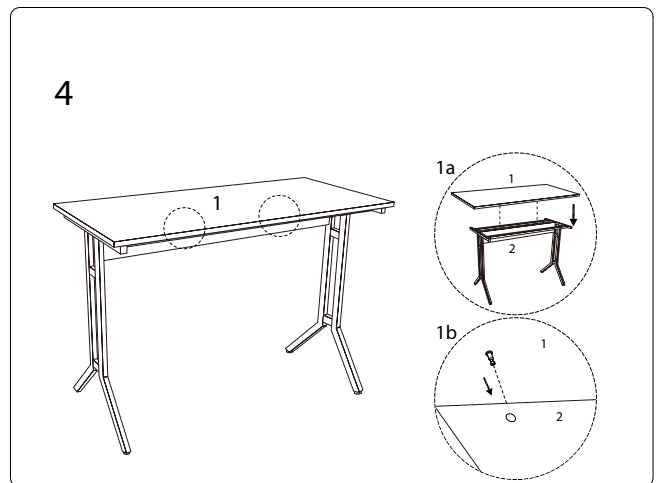
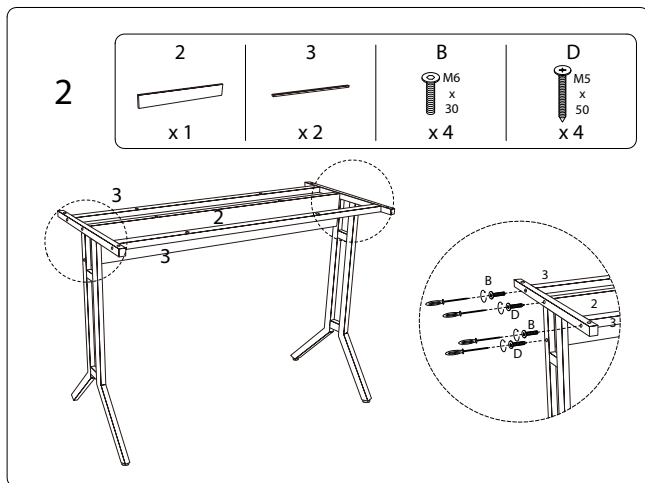
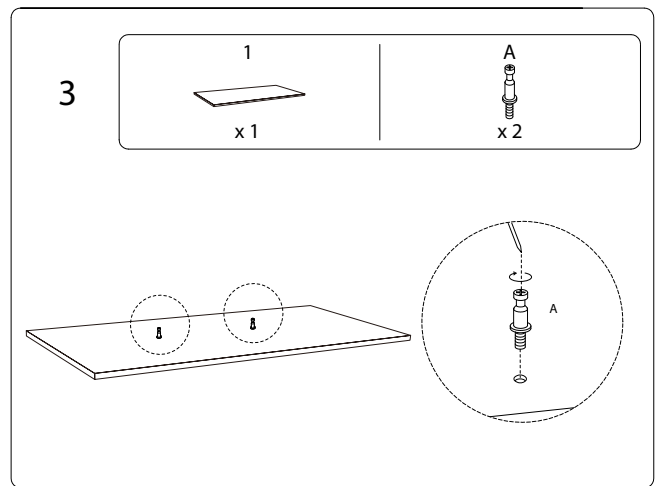
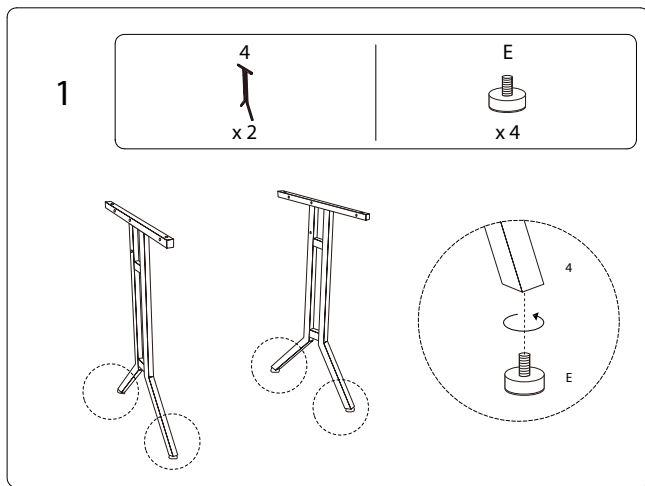
1/5

A2	B	C	D	E
x 2	x 4	x 8	x 4	x 4

2/5

884/CREEK/250220V

884/CREEK/250220V



3/5

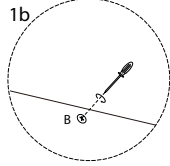
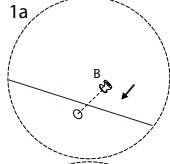
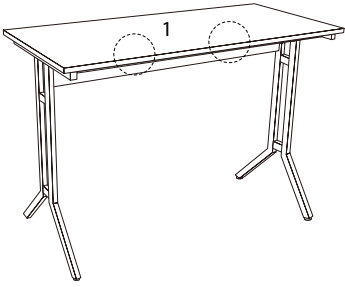
4/5

884/CREEK/250220V

884/CREEK/250220V

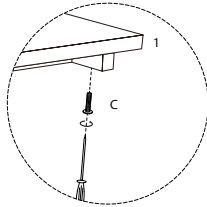
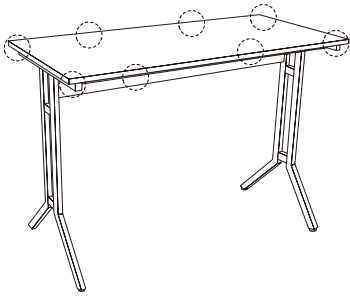
5

B  
x 2



6

C  
M6  
x 40  
x 8



5/5