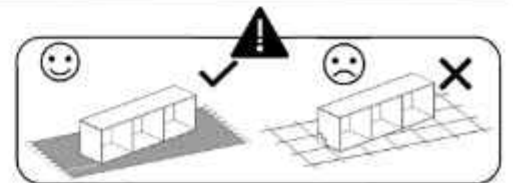
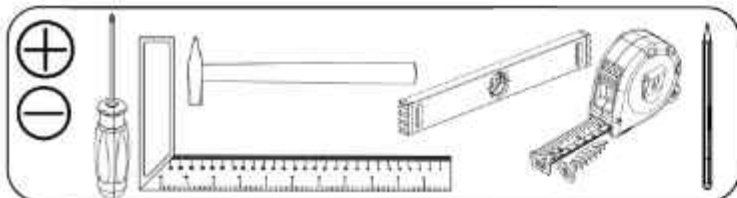
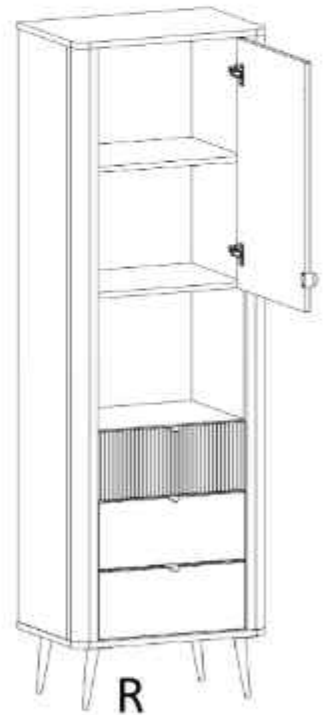
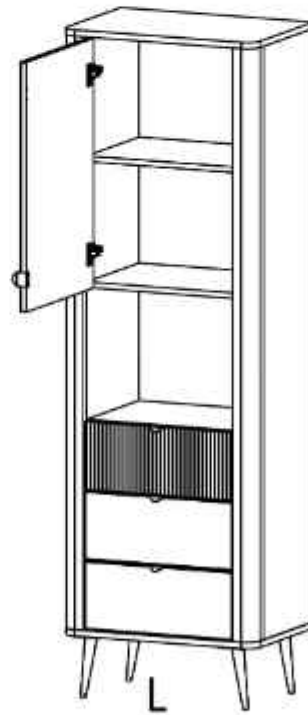
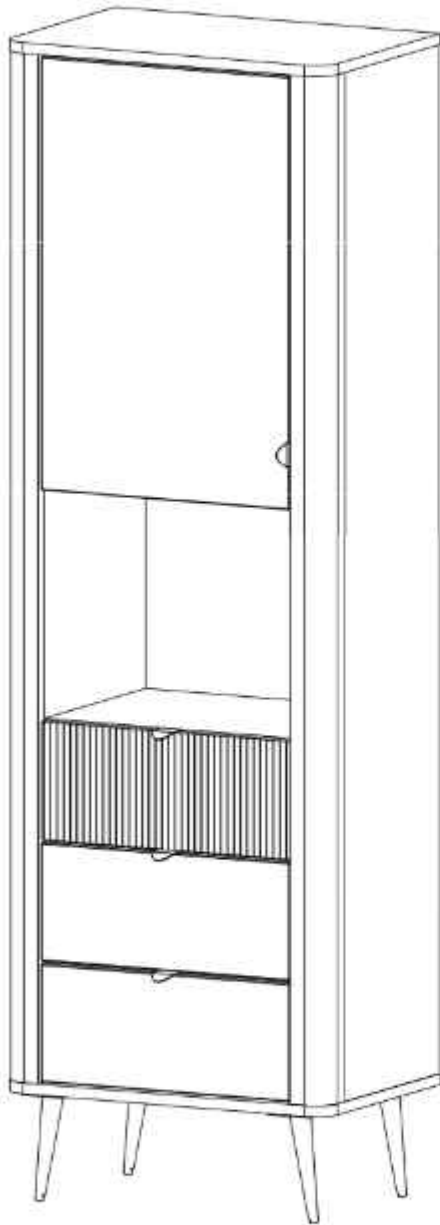
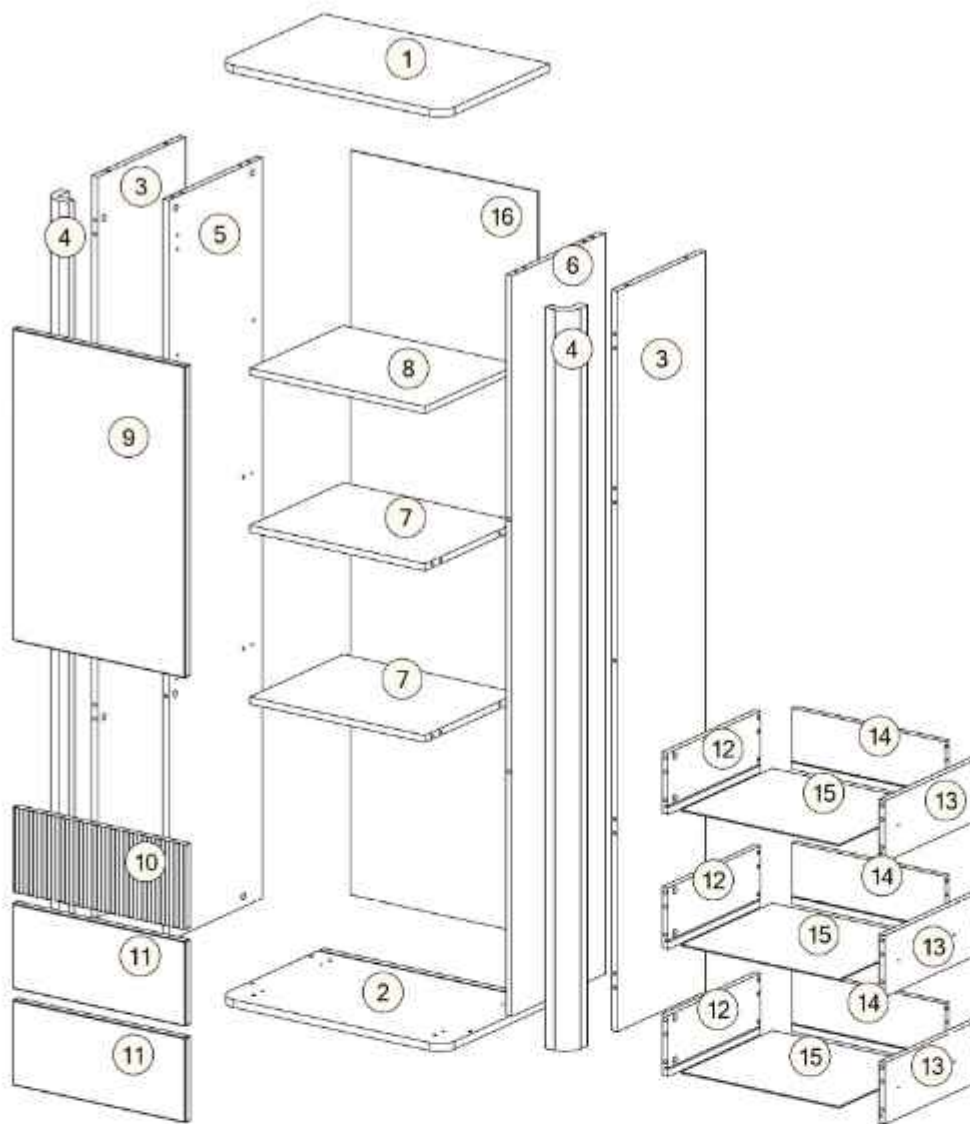


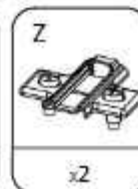
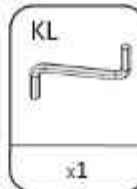
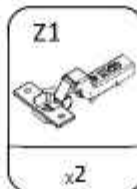
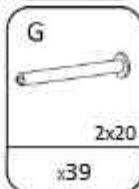
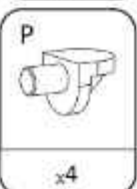
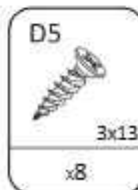
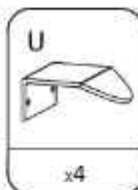
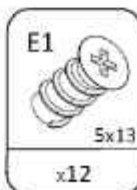
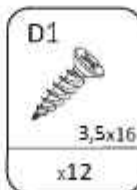
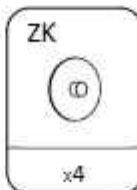
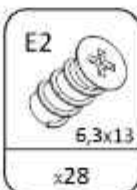
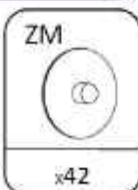
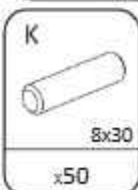
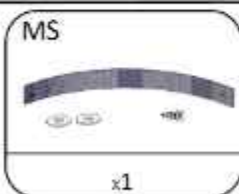
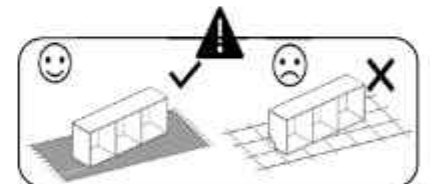
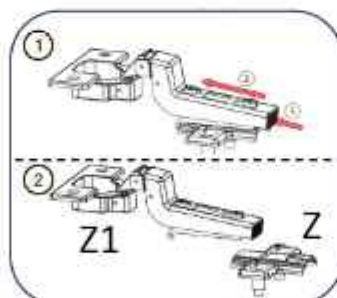
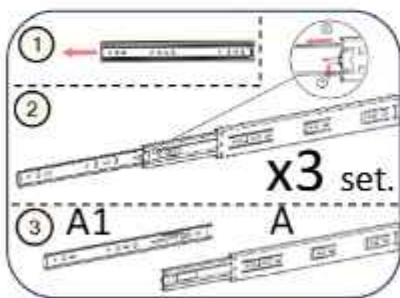
MARLY

R-4

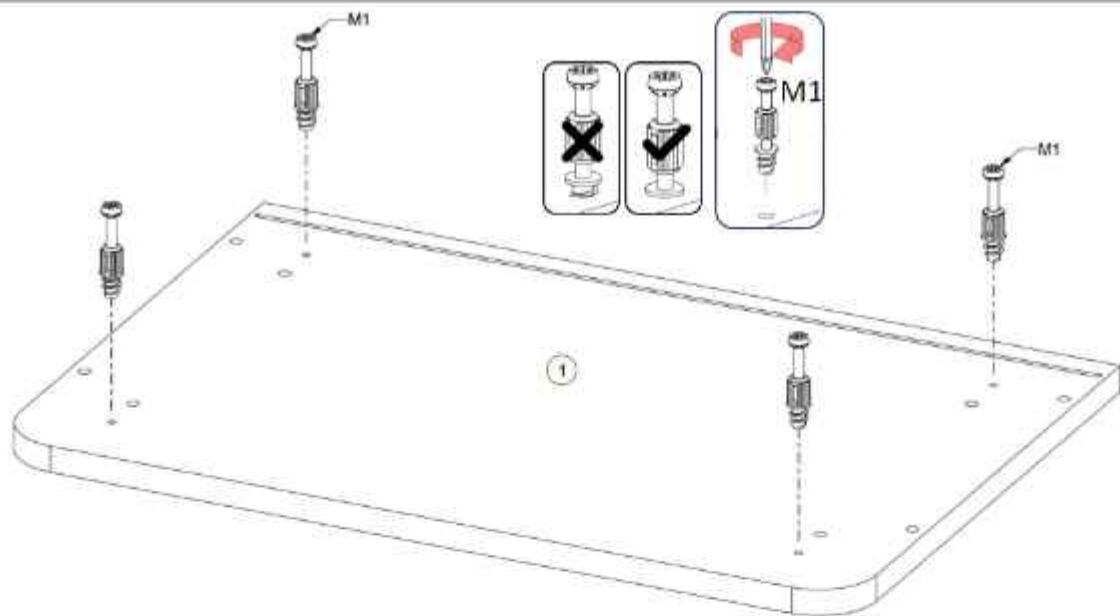




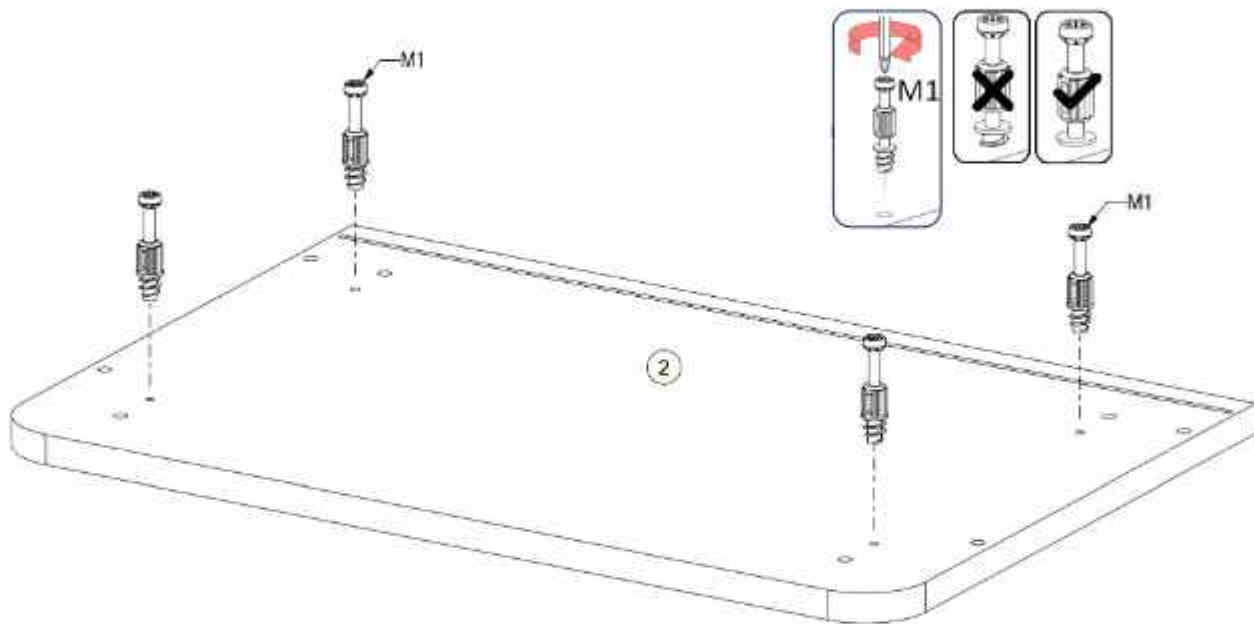
No	T(mm)	L(mm)	W(mm)	pcs.
1	18	596	400	1
2	18	596	400	1
3	16	1692	333	2
4	66	1692	66	2
5	16	1692	355	1
6	16	1692	355	1
7	16	462	355	2
8	16	462	355	1
9	18	712	455	1
10	18	194	456	1
11	18	194	456	2
12	16	350	140	3
13	16	350	140	3
14	16	404	140	3
15	3	417	346	3
16	3	1701	494	1



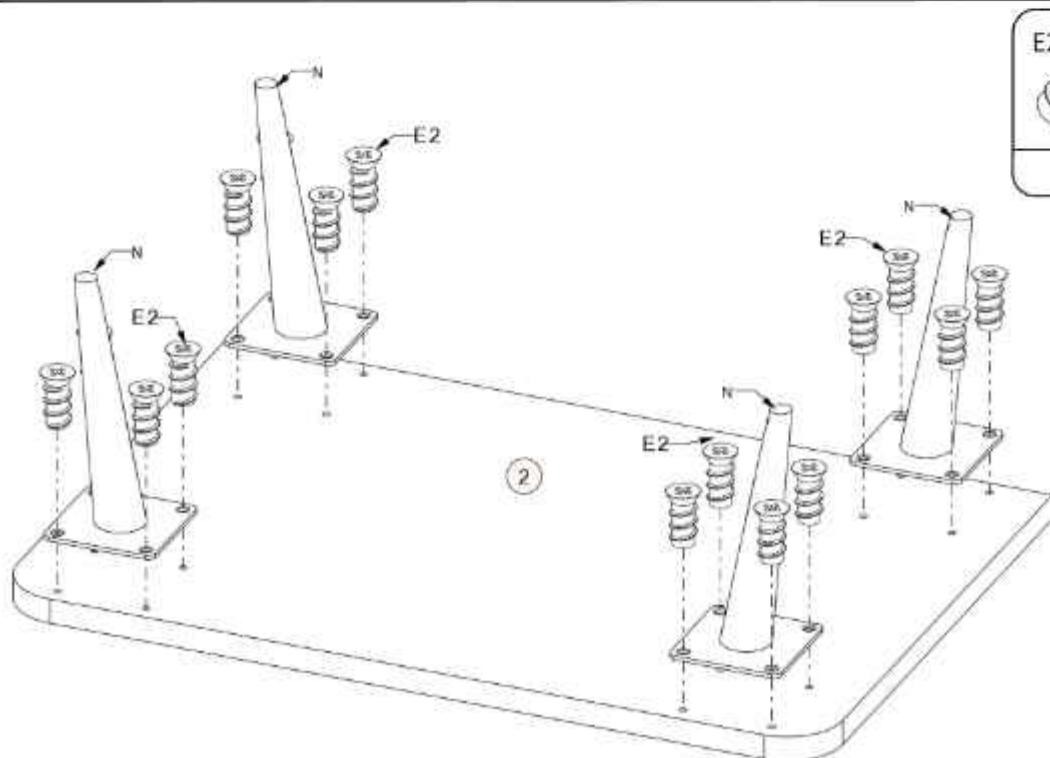
1



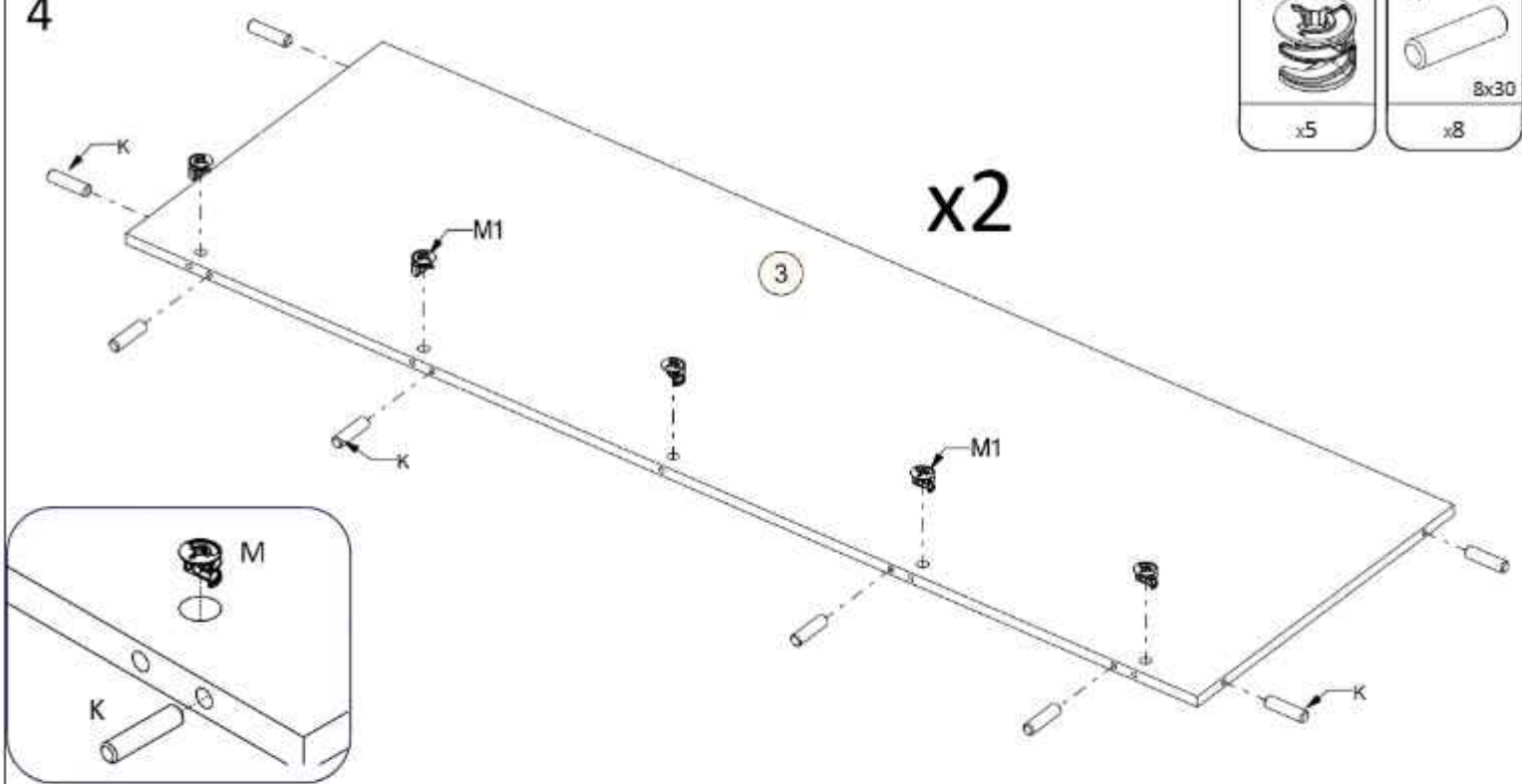
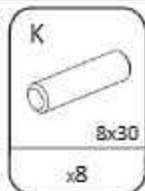
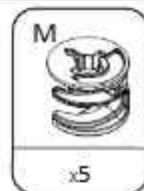
2



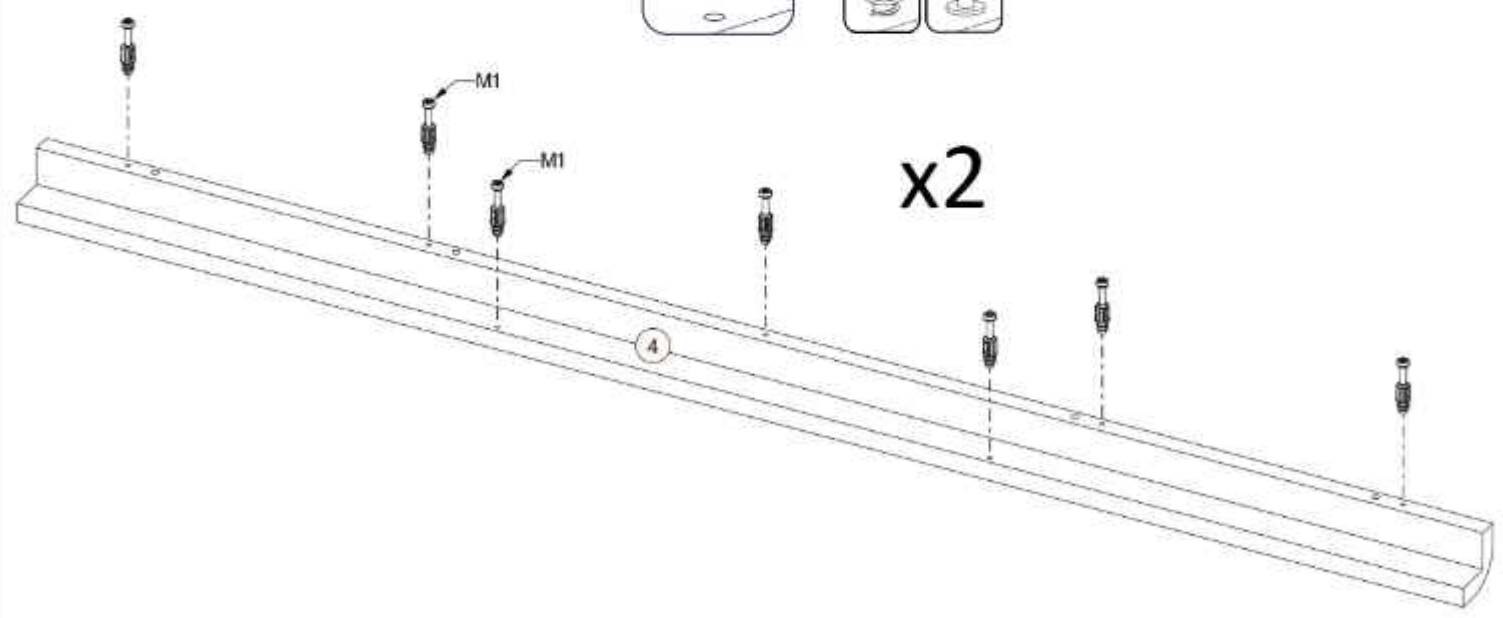
3



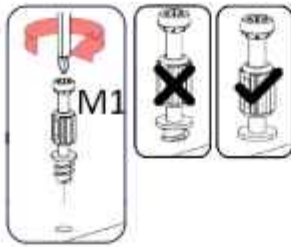
4



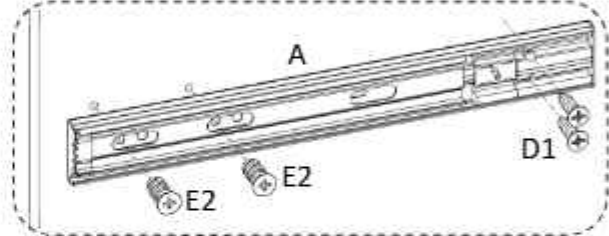
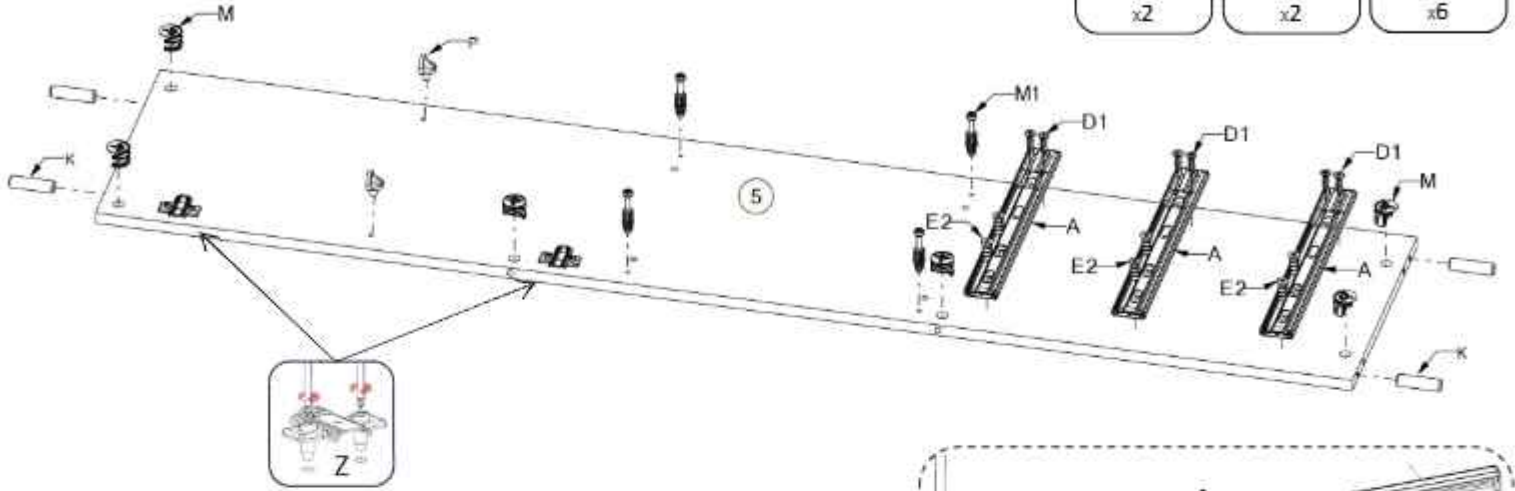
5



6

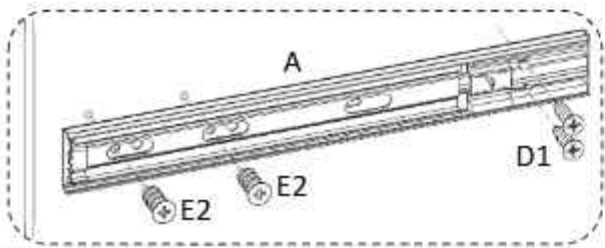
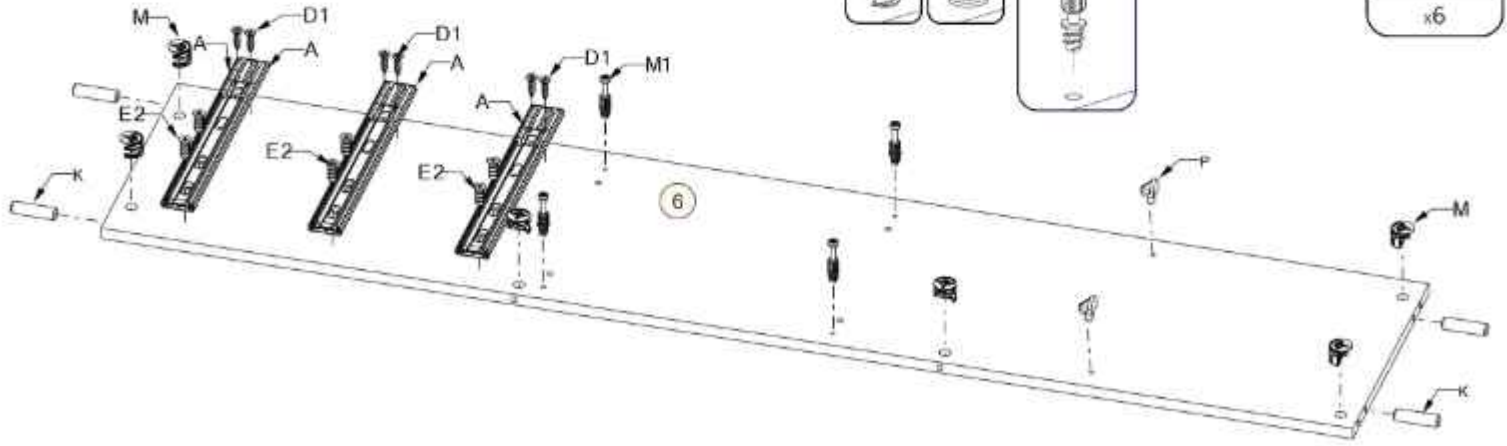


Z2 x2	D1 3,5x16 x6	M1 x4	M x6	K 8x30 x4
P x2	Z x2	E2 6,3x13 x6		





7

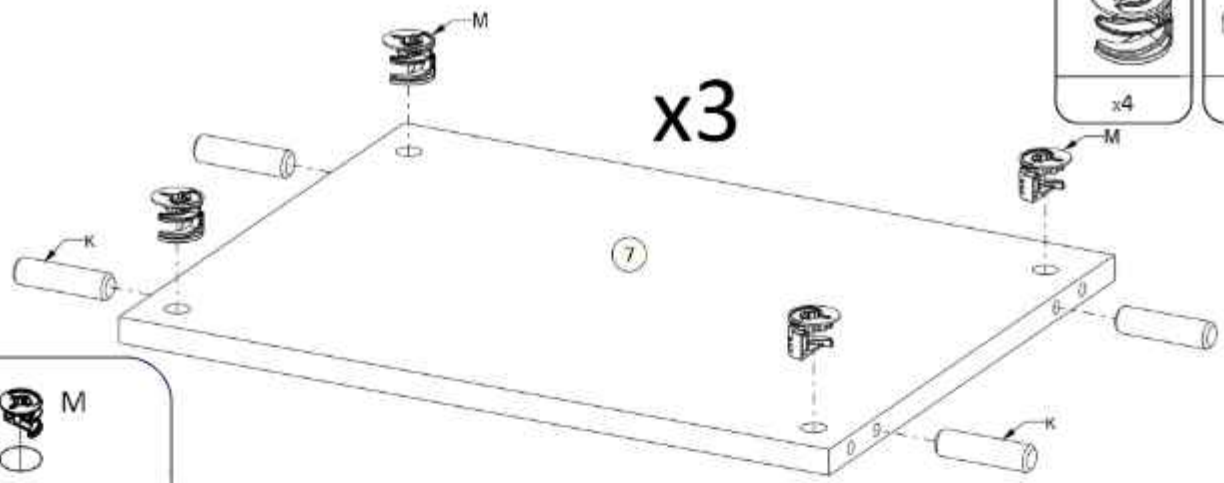
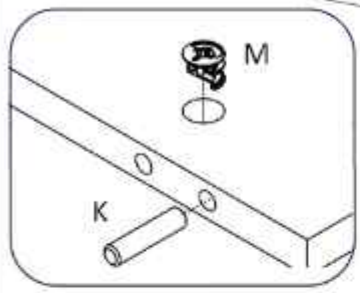
P x2	D1 3,5x16 x6	M1 x6	M x6	K 8x30 x4
				E2 6,3x13 x6



8

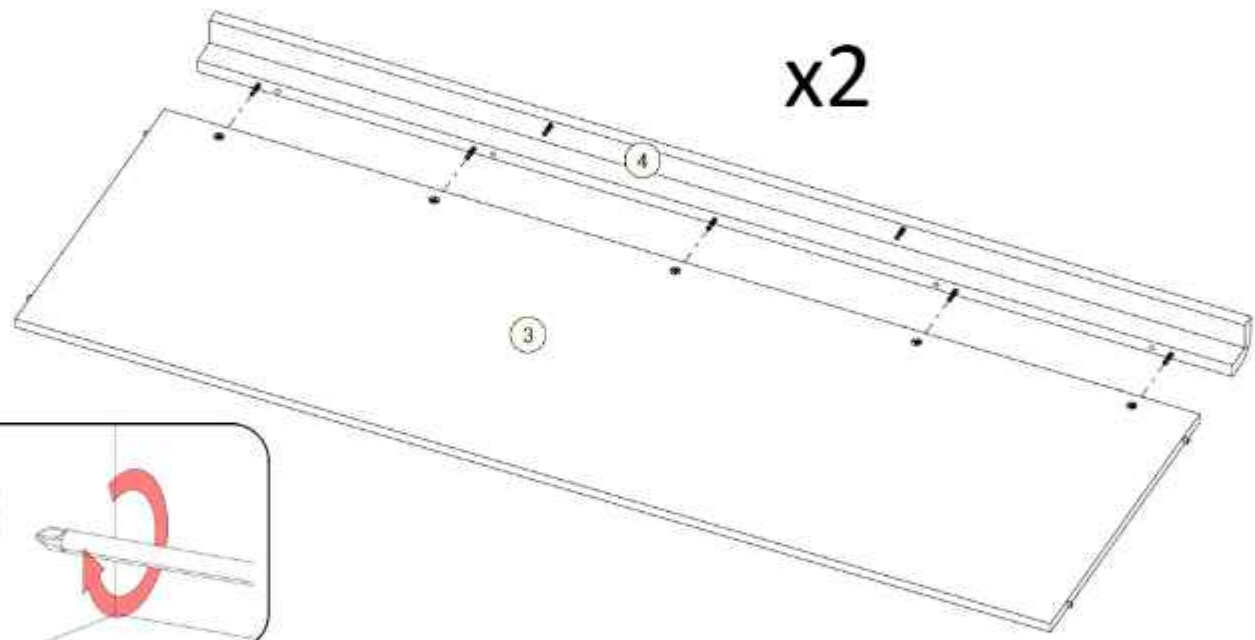
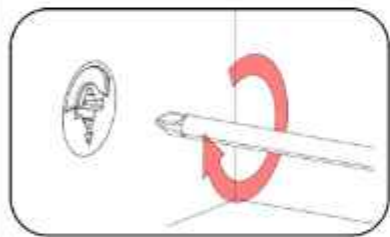
M	K
	
x4	x8

x3

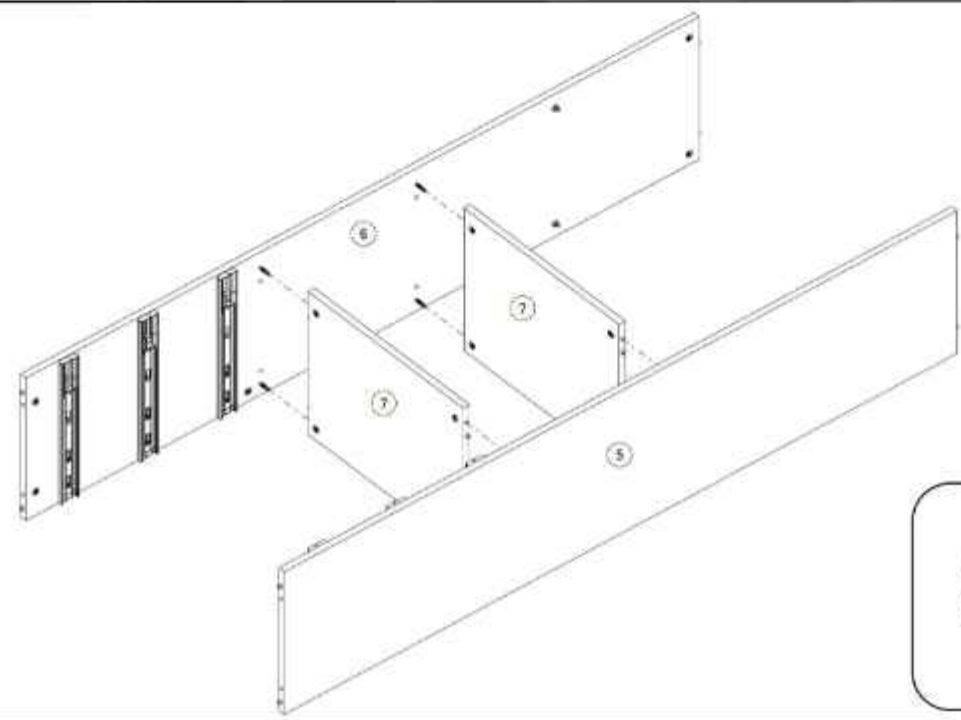
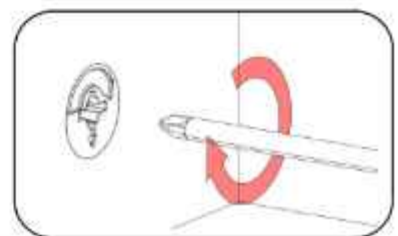


9

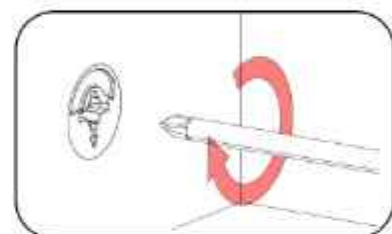
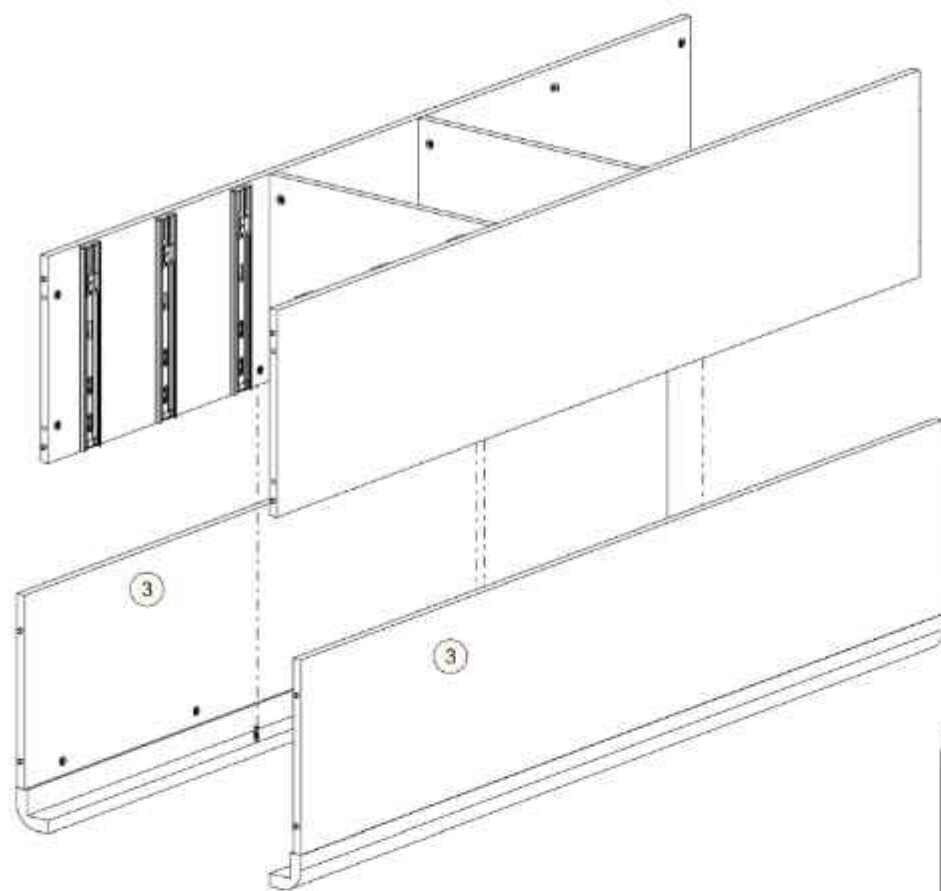
x2



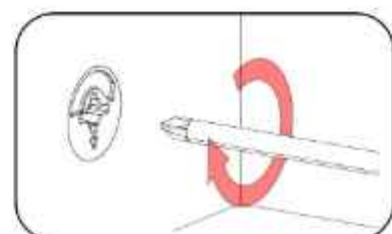
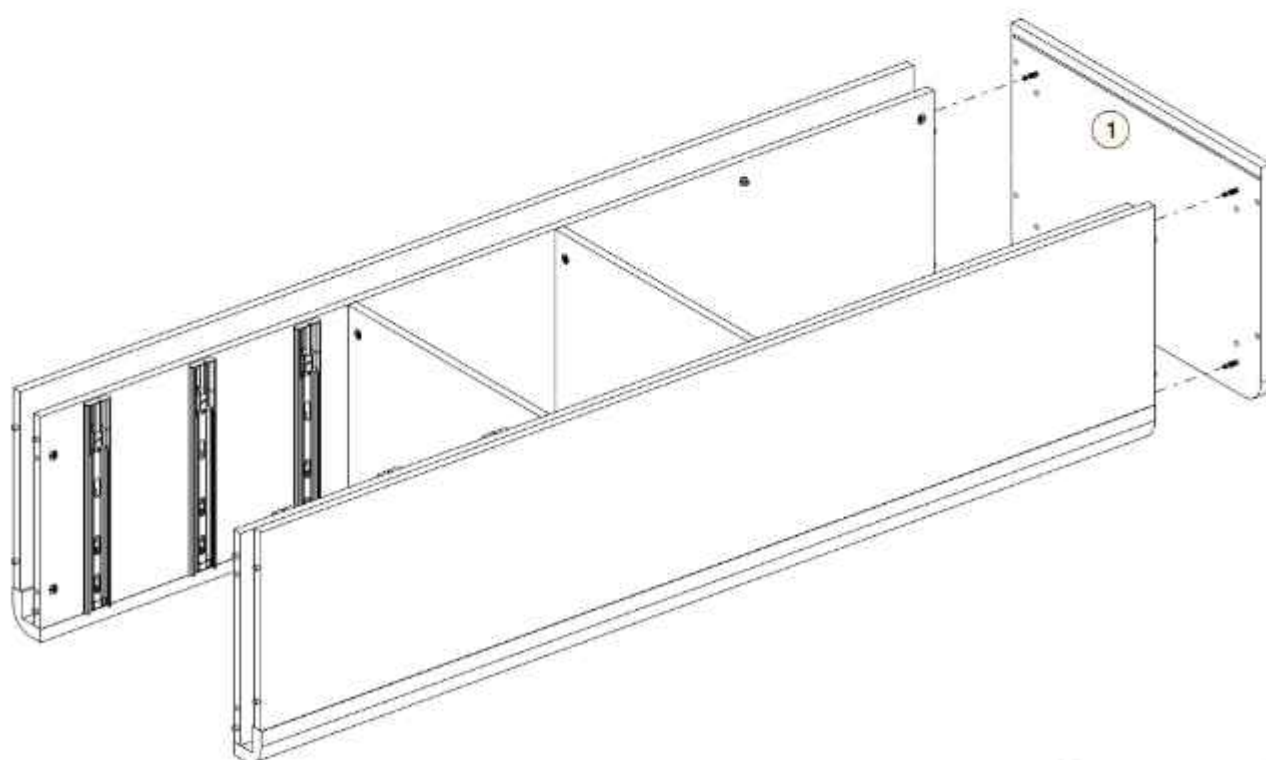
10



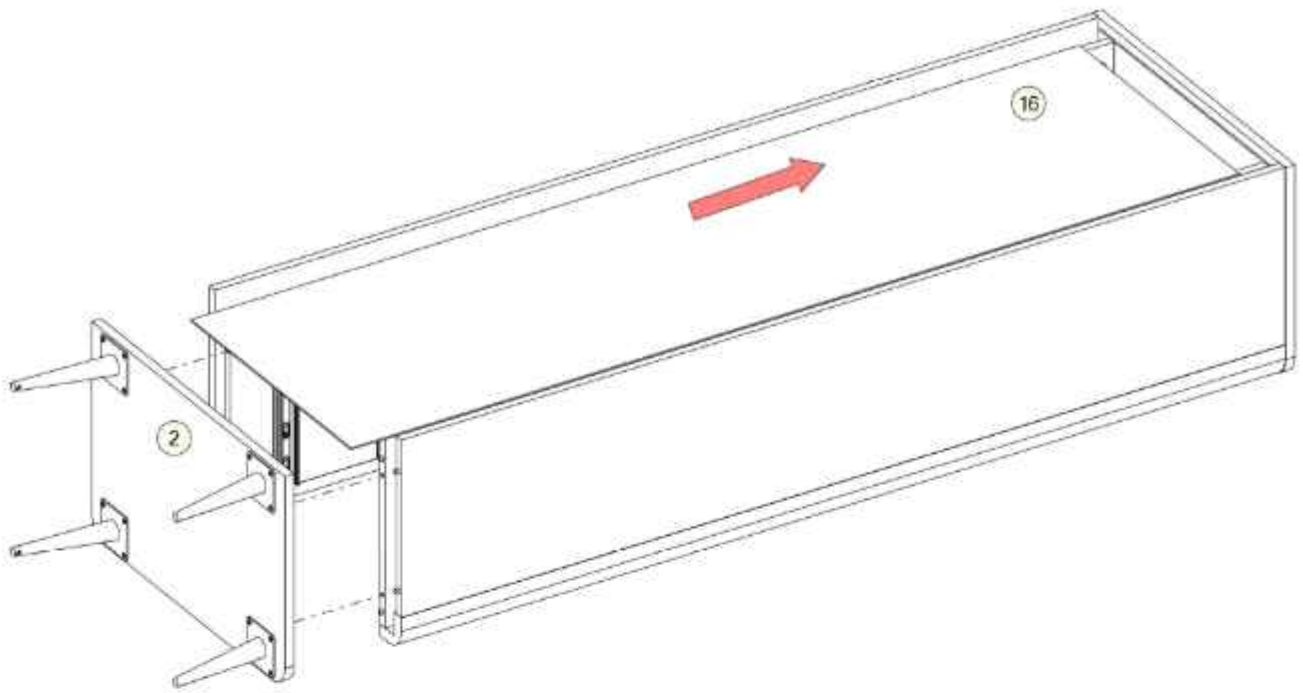
11



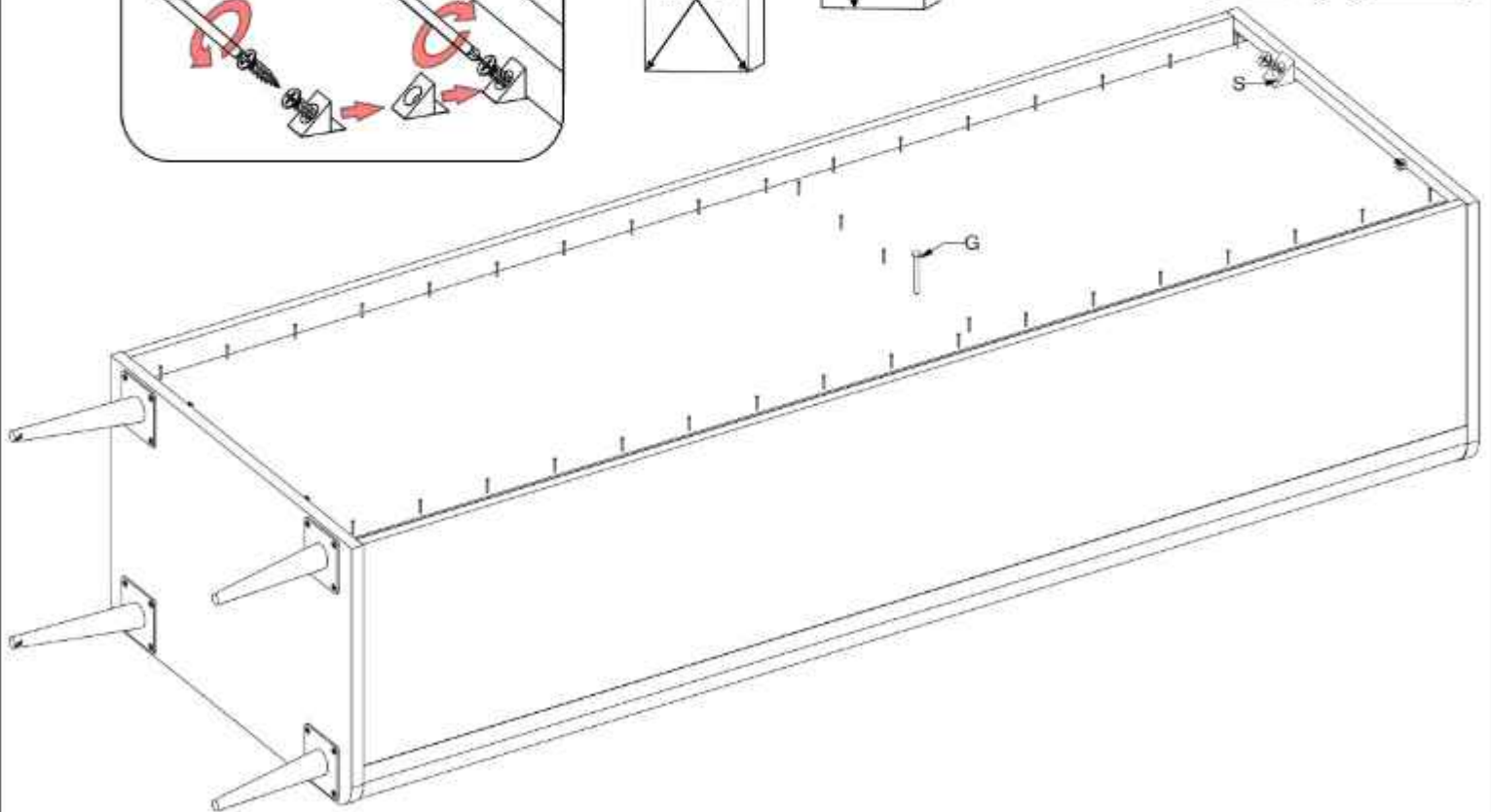
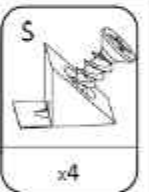
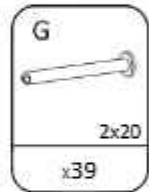
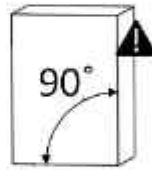
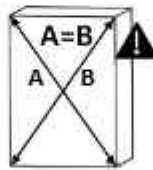
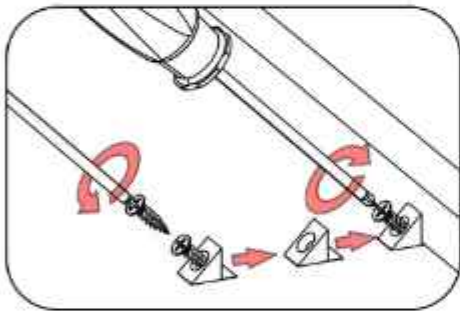
12



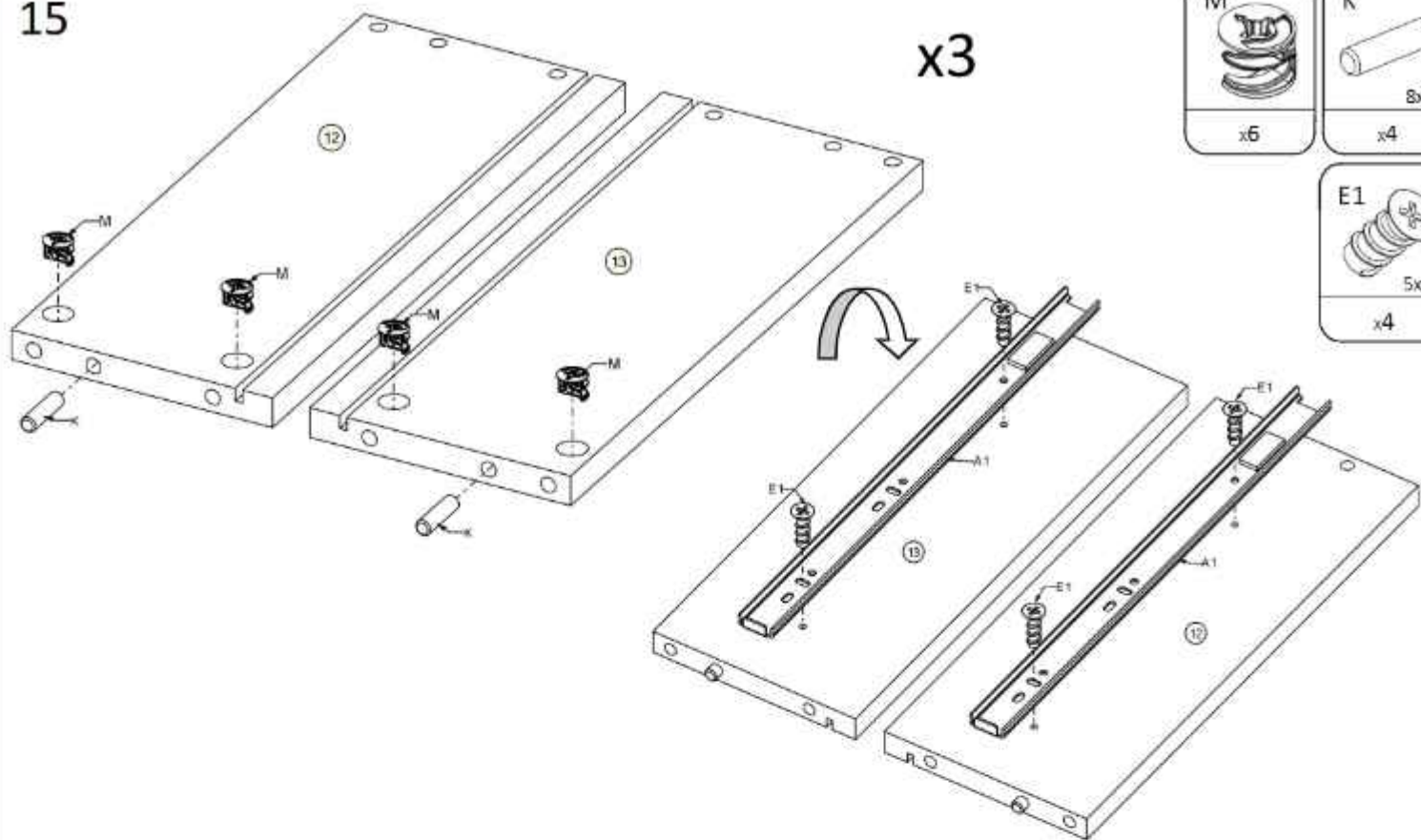
13



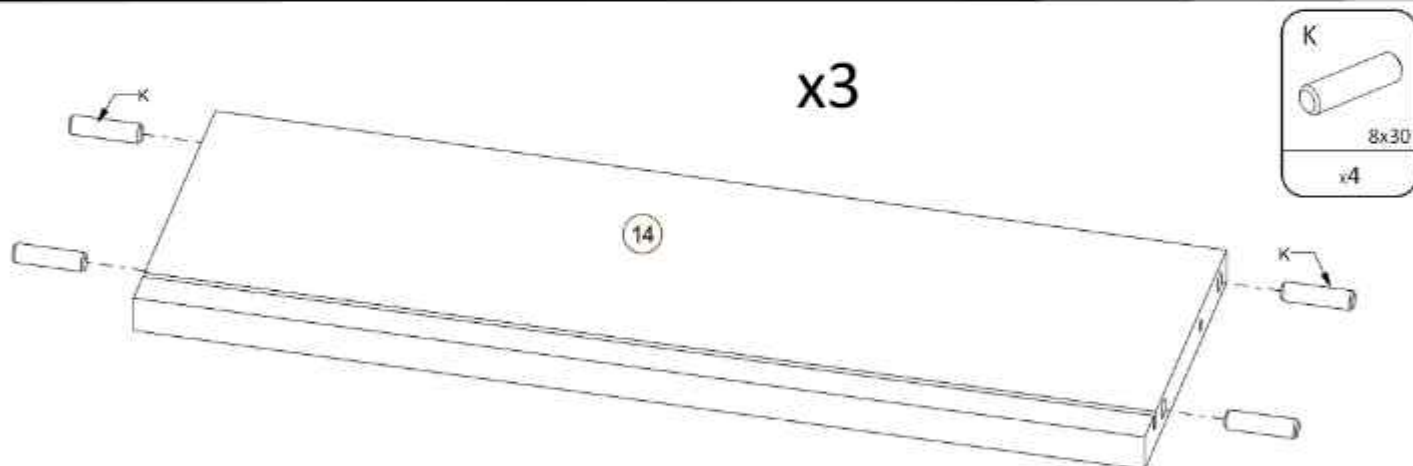
14



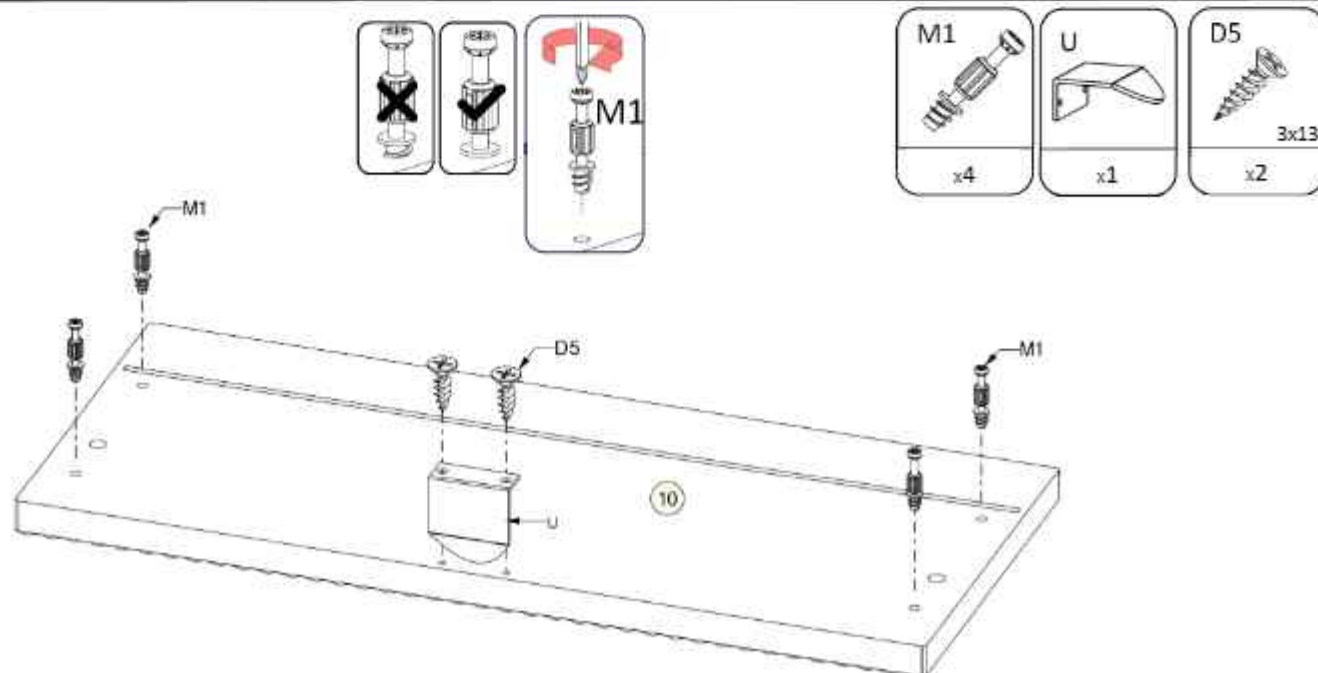
15 x3



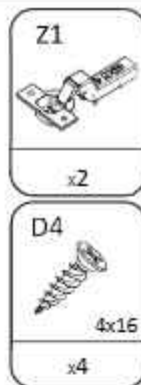
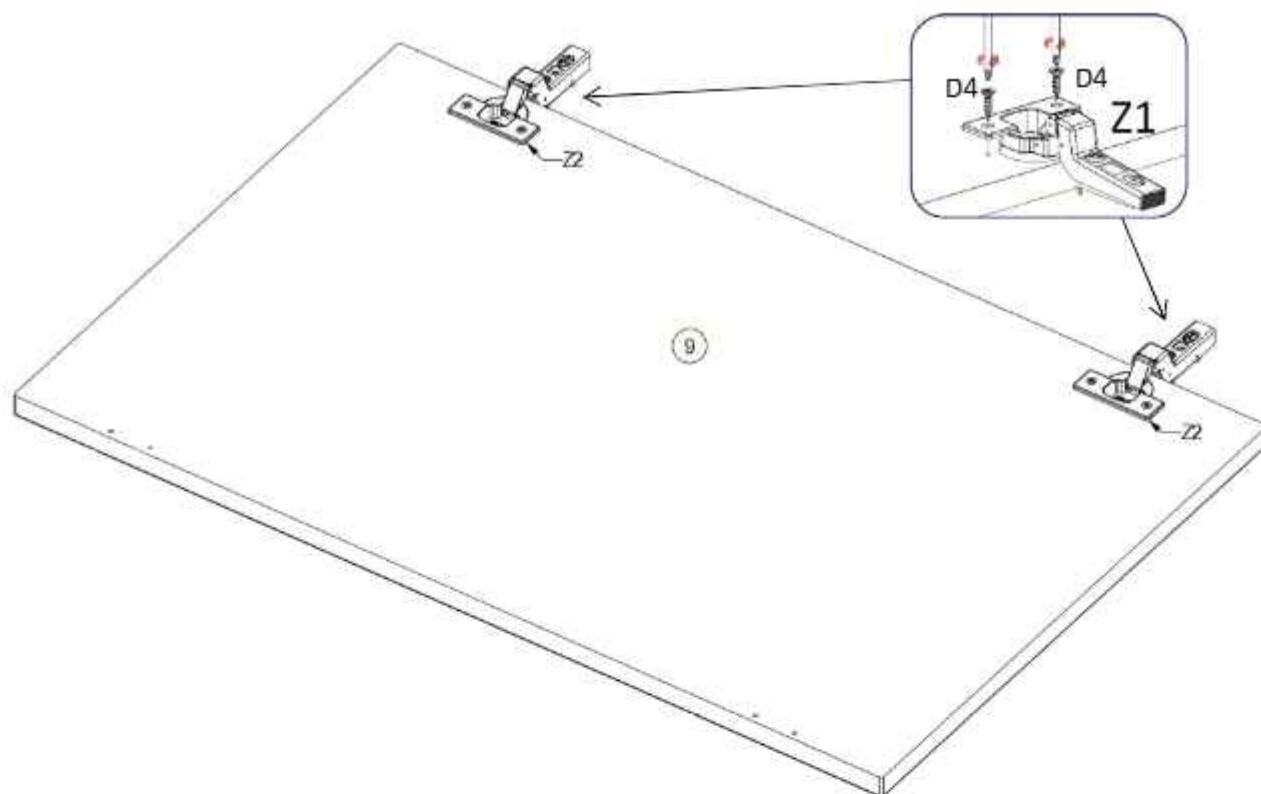
16 x3



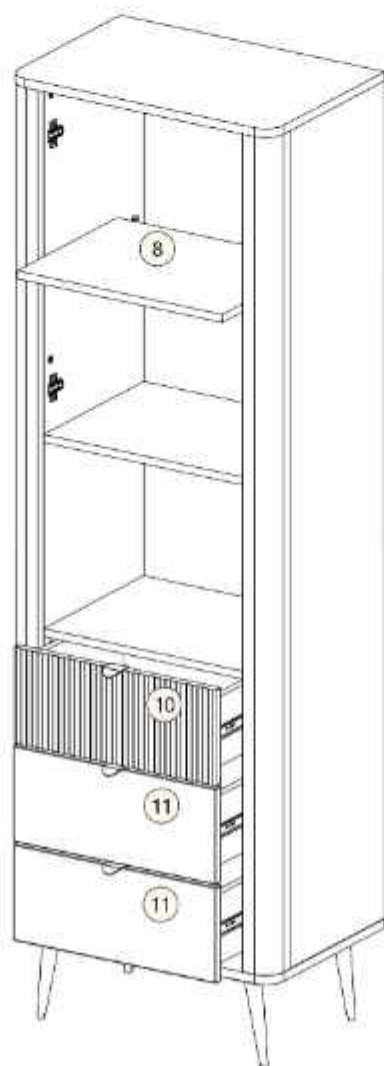
17



21



22



23

