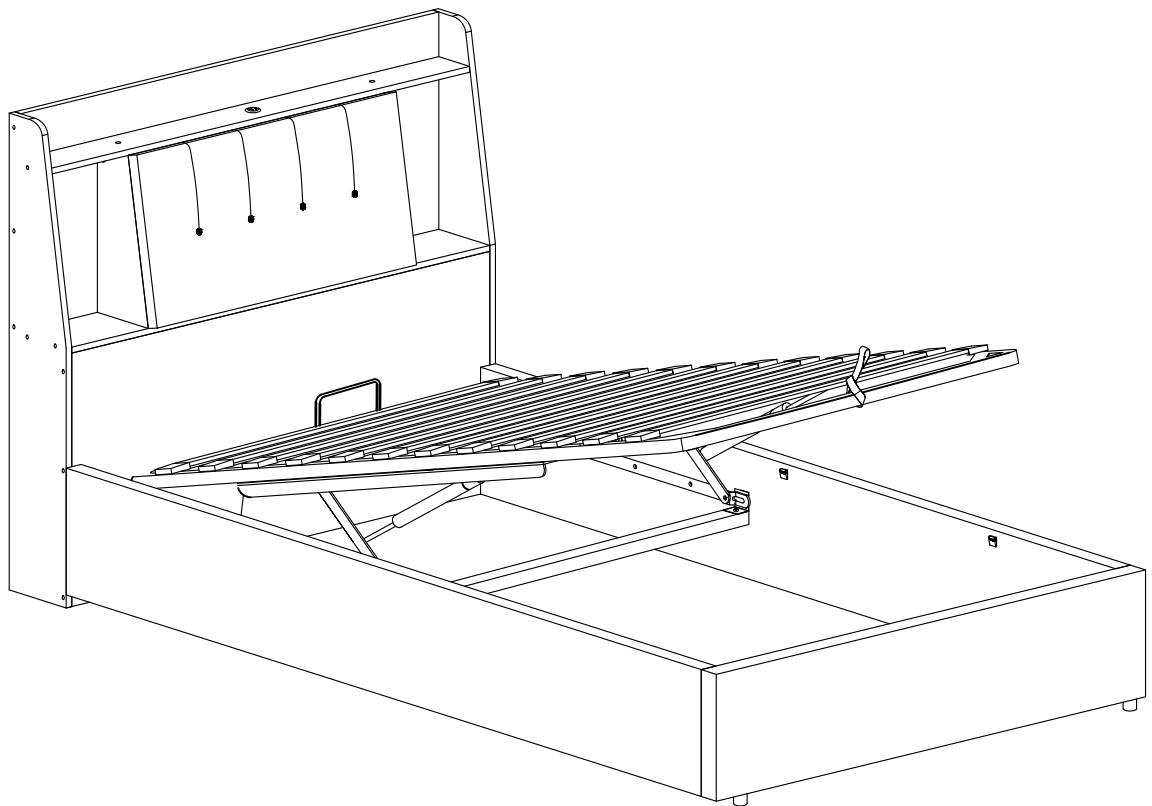


Installation sanleitung Installation Instruction Instruction d'installation

N636P342912

N636P342913



Unser Produkt wird Ihnen in 2 Paketen geliefert. Die Lieferzeiten dieser 2 Pakete können abweichen, bitte haben Sie etwas Geduld und vielen Dank für Ihr Verständnis.

Our product will be delivered to you in 2 packages. The delivery times of these 2 packages may differ, please be patient and thank you for your understanding.

Notre produit vous sera livré en 2 colis. Les délais de livraison de ces 2 colis peuvent différer, soyez patient et merci pour votre compréhension.



Points de collecte sur www.quefairedemesdechets.fr
Privilégiez la réparation ou le don de votre appareil !

English

IMPORTANT FOR GAS LIFT BEDS&MAINTAINANCE

- Please place the mattress on top of the bed frame.
- Please do not pull on the strap handles.
- Please press heavily to release the compressed gas.
- Periodically check all screw & fixings to ensure they are secure.
- When moving your product, carefully lift into place.
- Wipe clean with a slightly damp cloth- please do not use abrasive chemicals or bleach.
- Do NOT allow children to operate the lift mechanism.
- Do NOT allow children near the lift base when operating the mechanism.
- Do NOT stand inside the bed or the internal storage base.
- Do NOT overload the internal storage base.
- DO NOT jump on the product or any of its parts.

Deutsch

WICHTIG FÜR GASLIFT-BETTEN&WARTUNG

- Bitte legen Sie die Matratze oben auf den Bettrahmen.
- Bitte ziehen Sie nicht an den Gurtgriffen.
- Bitte drücken Sie kräftig, um das komprimierte Gas freizusetzen.
- Überprüfen Sie regelmäßig alle Schrauben und Befestigungen, um sicherzustellen, dass sie sicher sind.
- Wenn Sie Ihr Produkt bewegen, heben Sie es vorsichtig an seinen Platz.
- Mit einem leicht feuchten Tuch abwischen - bitte keine scheuernden Chemikalien oder Bleichmittel verwenden.
- Erlauben Sie Kindern NICHT, den Hebemechanismus zu bedienen.
- Lassen Sie Kinder NICHT in die Nähe des Liftsockels, wenn Sie den Mechanismus bedienen.
- Stellen Sie sich NICHT in das Bett oder in die Innenablage.
- Überlasten Sie den internen Liftsockel NICHT.
- Springen Sie NICHT auf das Produkt oder eines seiner Teile.

Français

IMPORTANT POUR LES LITS À RELEVAGE DE GAZ&MAINTENANCE

- Veuillez placer le matelas sur le dessus du cadre de lit.
- Ne tirez pas sur les poignées de la sangle.
- Appuyez fortement pour libérer le gaz comprimé.
- Vérifiez régulièrement que toutes les vis et fixations sont bien en place.
- Lorsque vous déplacez votre produit, soulevez-le avec précaution pour le mettre en place.
- Nettoyez avec un chiffon légèrement humide - n'utilisez pas de produits chimiques abrasifs ou d'eau de Javel.
- Ne laissez pas les enfants utiliser le mécanisme de levage.
- Ne laissez pas les enfants s'approcher de la base de levage lorsqu'ils actionnent le mécanisme.
- Ne vous tenez PAS à l'intérieur du lit ou de la base de stockage interne.
- Ne surchargez pas la base de stockage interne.
- Ne pas sauter sur le produit ou l'une de ses parties.

Italiano

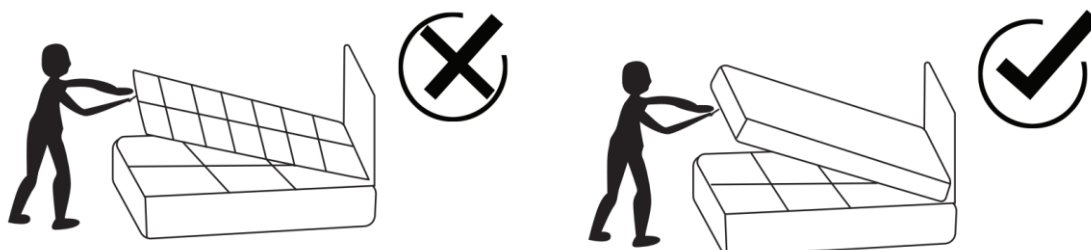
IMPORTANTE PER I LETTI CON SOLLEVAMENTO A GAS E LA MANUTENZIONE

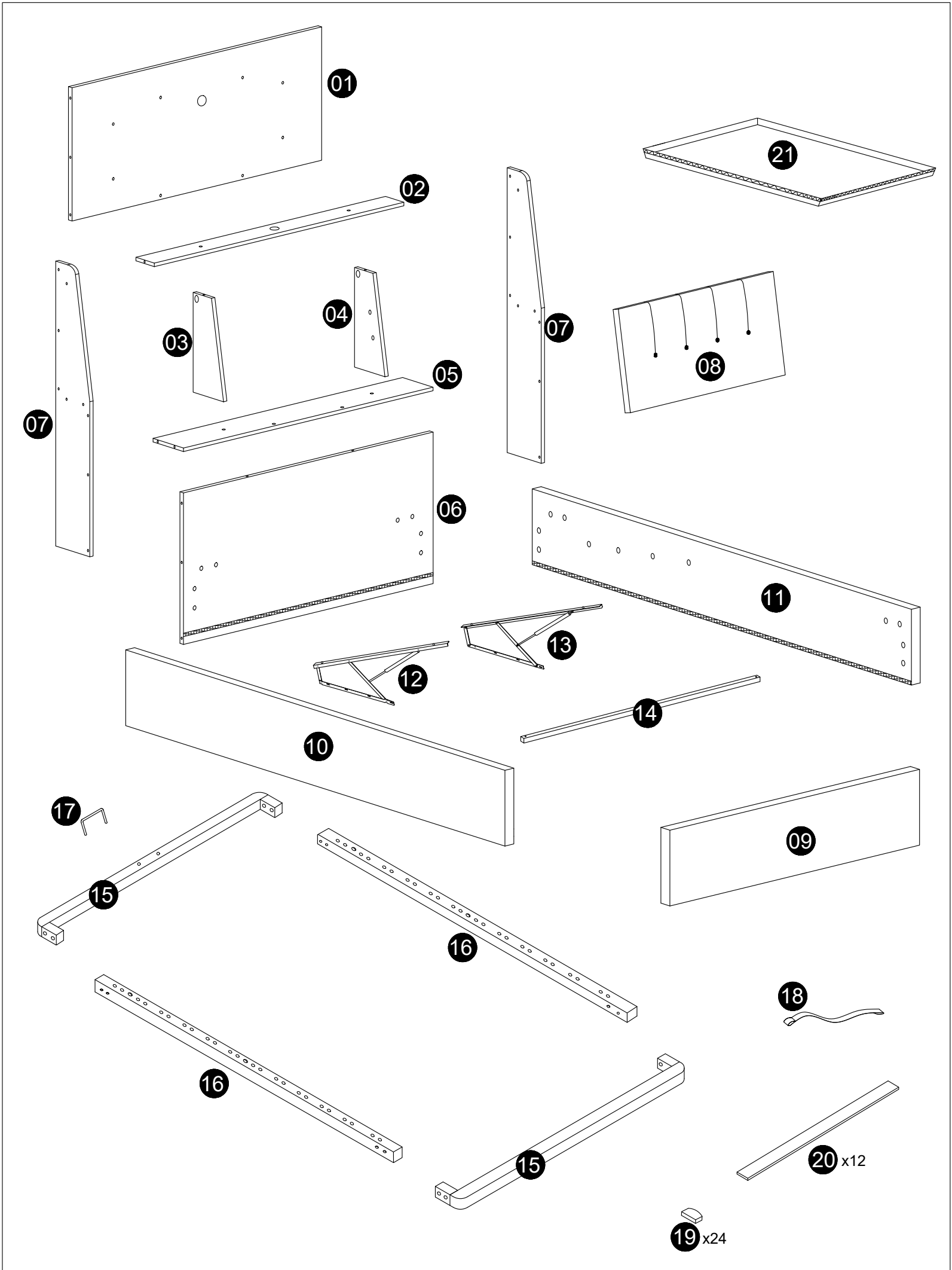
- Posizionare il materasso sopra la struttura del letto.
- Non tirare le maniglie della cinghia.
- Premere con forza per rilasciare il gas compresso.
- Controllare periodicamente tutte le viti e i fissaggi per assicurarsi che siano saldi.
- Quando si sposta il prodotto, sollevarlo con cautela.
- Pulire con un panno leggermente umido, senza usare prodotti chimici abrasivi o candeggina.
- NON permettere ai bambini di azionare il meccanismo di sollevamento.
- NON permettere ai bambini di avvicinarsi alla base di sollevamento quando si aziona il meccanismo.
- NON sostare all'interno del letto o della base di contenimento interna.
- NON sovraccaricare la base di contenimento interna.
- NON saltare sul prodotto o sulle sue parti.

Español

IMPORTANTE PARA LAS CAMAS ELEVADORAS DE GAS&MANTENIMIENTO

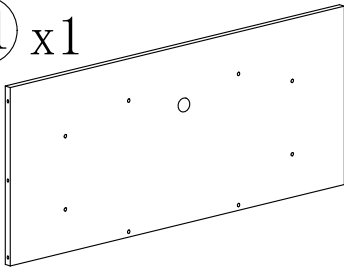
- Coloque el colchón sobre el somier.
- No tire de las asas de la correa.
- Presione con fuerza para liberar el gas comprimido.
- Compruebe periódicamente que todos los tornillos y fijaciones estén bien sujetos.
- Al mover el producto, levántelo con cuidado para colocarlo en su sitio.
- Limpie con un paño ligeramente humedecido; no utilice productos químicos abrasivos ni lejía.
- NO permita que los niños accionen el mecanismo de elevación.
- NO permita que los niños se acerquen a la base elevadora cuando accionen el mecanismo.
- NO se ponga de pie dentro de la cama o de la base de almacenamiento interna.
- NO sobrecargue el somier.
- NO salte sobre el producto ni sobre ninguna de sus piezas.



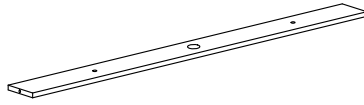


N636P342912

01 x1



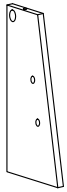
02 x1



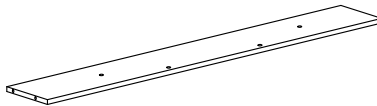
03 x1



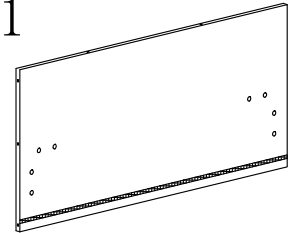
04 x1



05 x1



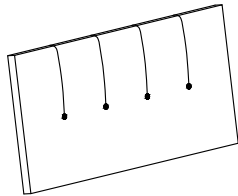
06 x1



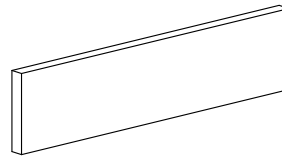
07 x2



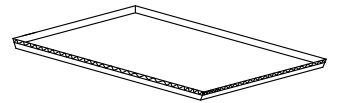
08 x1



09 x1

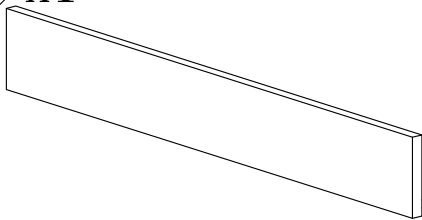


21 x1

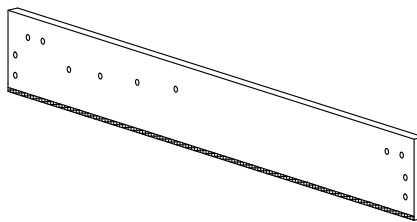


N636P342913

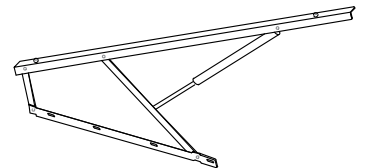
10 x1



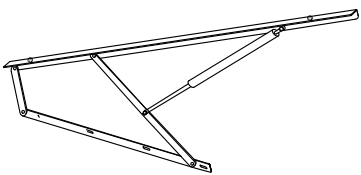
11 x1



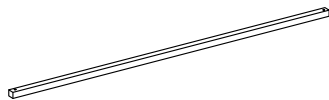
12 x1



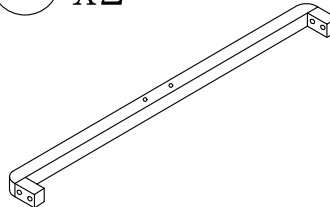
13 x1



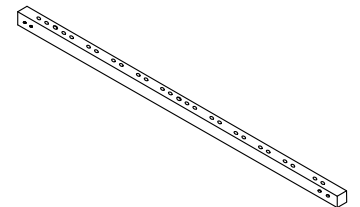
14 x1



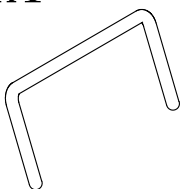
15 x2



16 x2



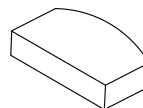
17 x1



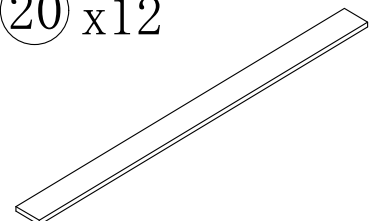
18 x1



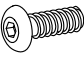
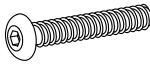

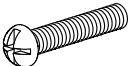
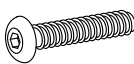
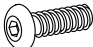
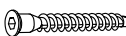


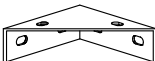
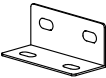
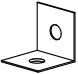

19 x24

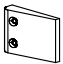




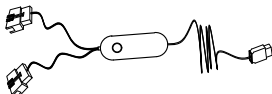
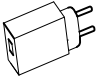

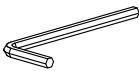
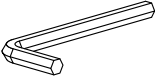
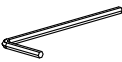
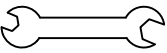



20 x12

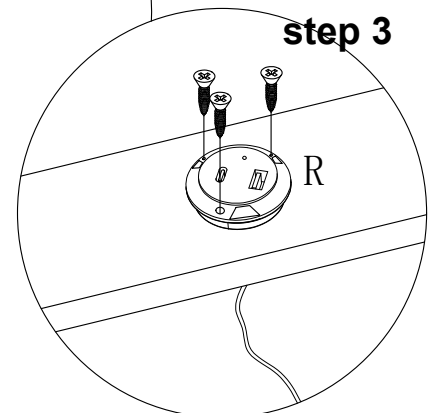
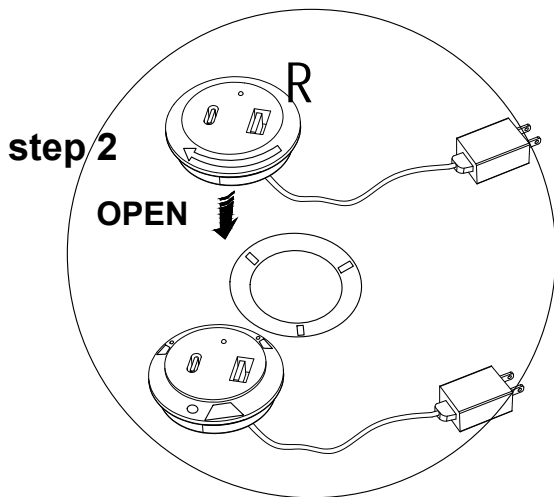
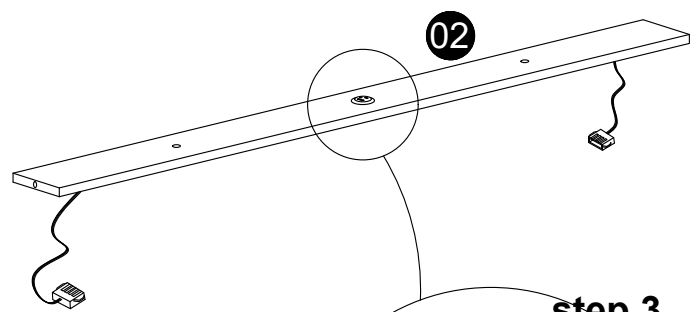
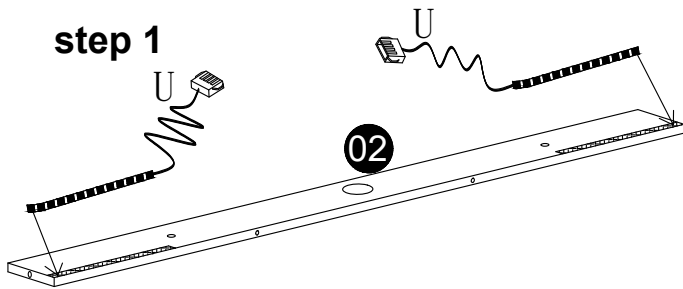
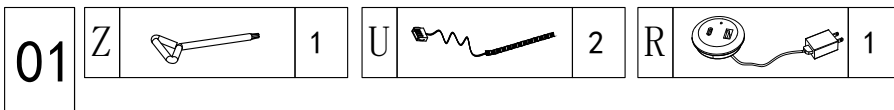



N636P342913

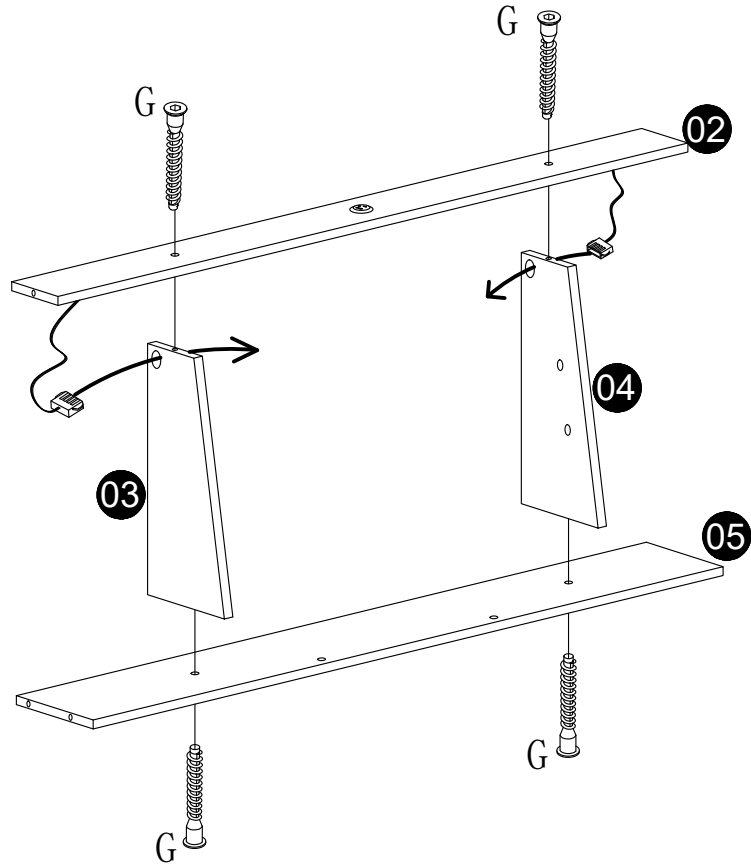
A		8*20	40
B		8*50	4
C		3.5*20	12
D		8*40	8
E		8*40	2
F		8*25	2
G		5*40	32
H		6*10	8
I		m8	14
J			4
K			4
L		1.6	2
M			4


N			6
O		2.5cm	2
P			1
Q			1
R			1
S			1
T			1
U			2
V		m6	1
W		m8	1
X		m3	1
Y			1
Z			1

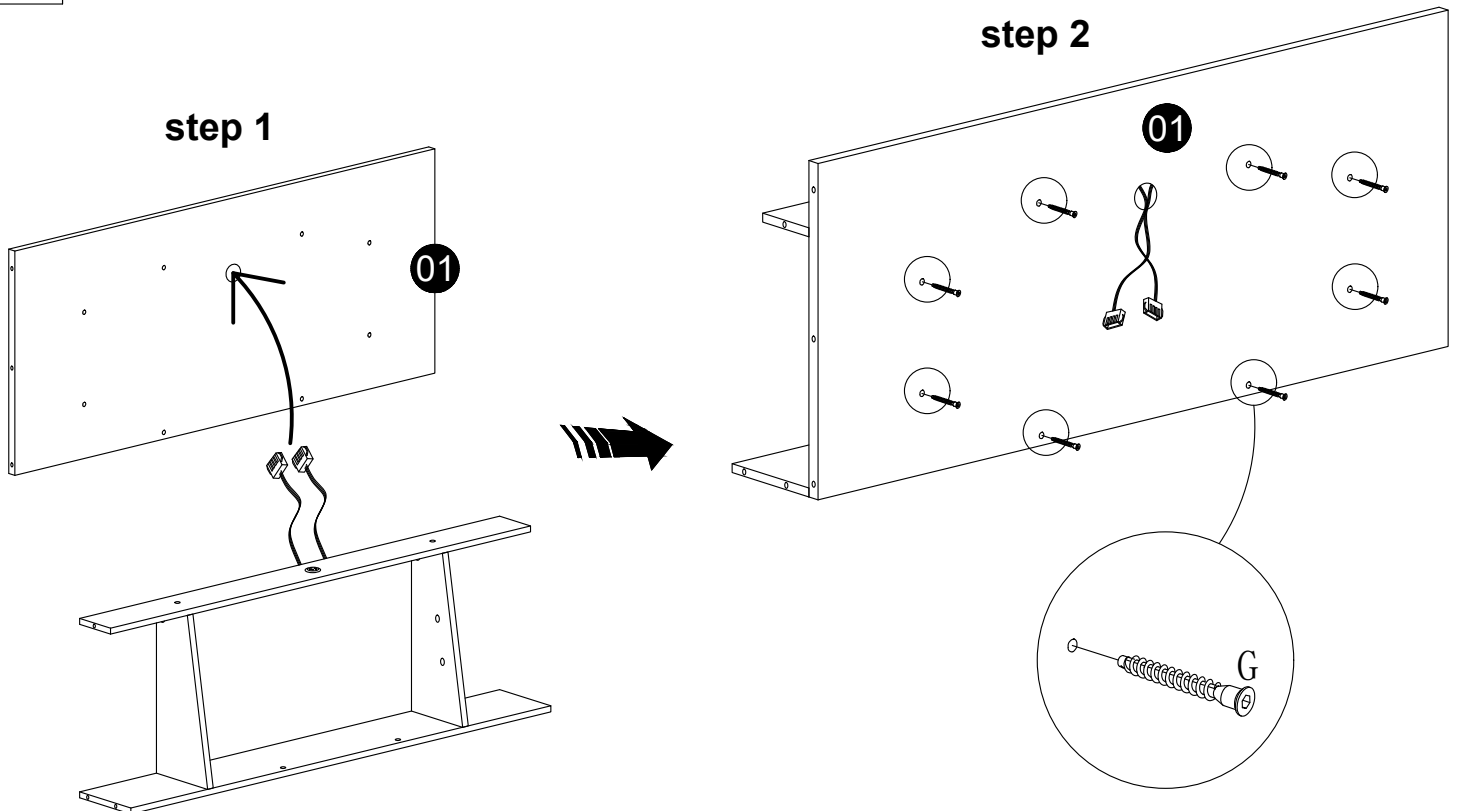
Before installation, insert the screws into the holes and tighten them, but do not tighten them to 100%, 70% to 80% is sufficient. Finally, after all screws are installed, tighten all screws to 100%. If you encounter these issues, such as if the holes cannot be aligned or some parts cannot be installed, please check if the screws are used correctly and adjust the tightness of the screws.




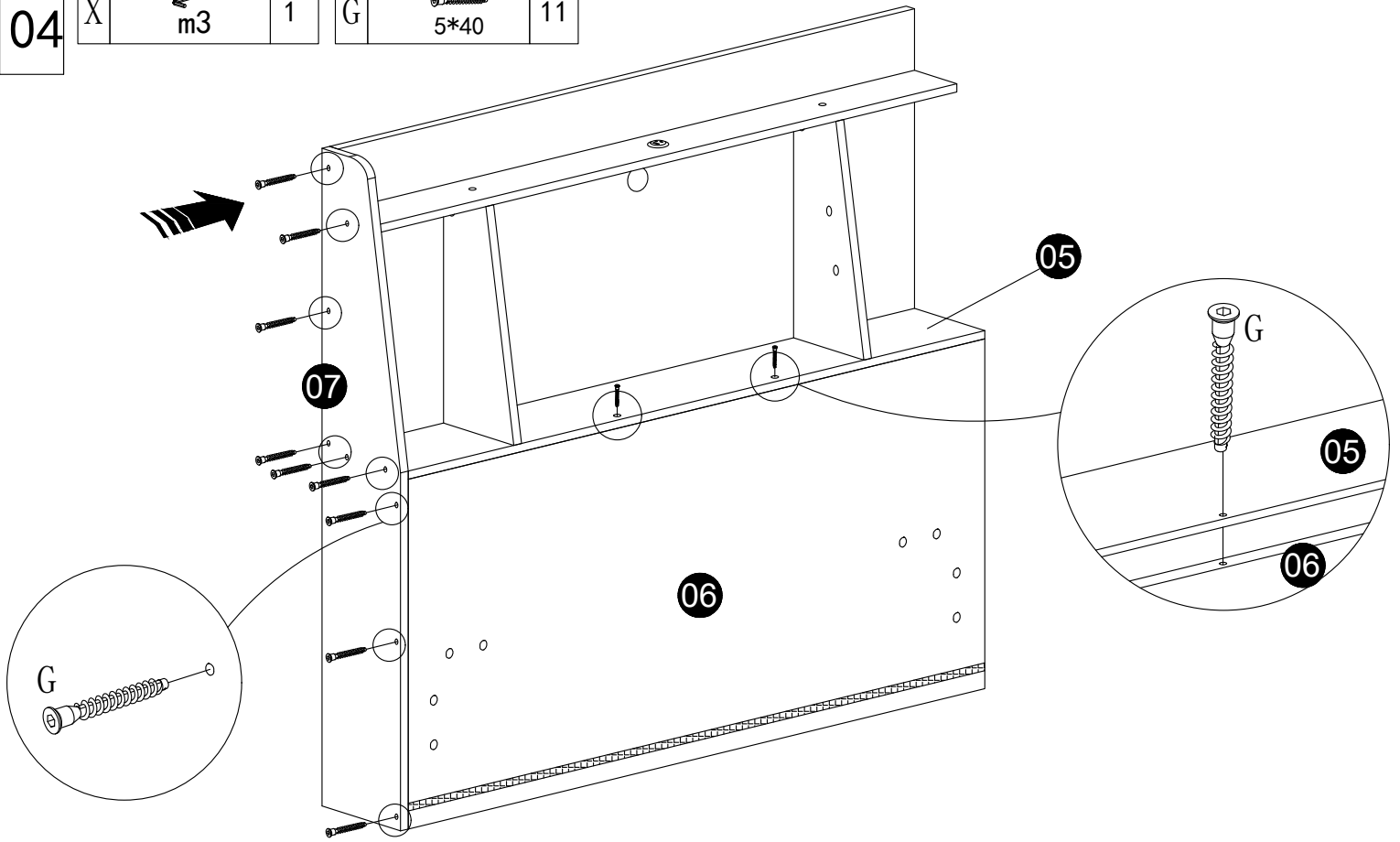
02	X	m3	1	G	 5*40	4
----	---	----	---	---	--	---




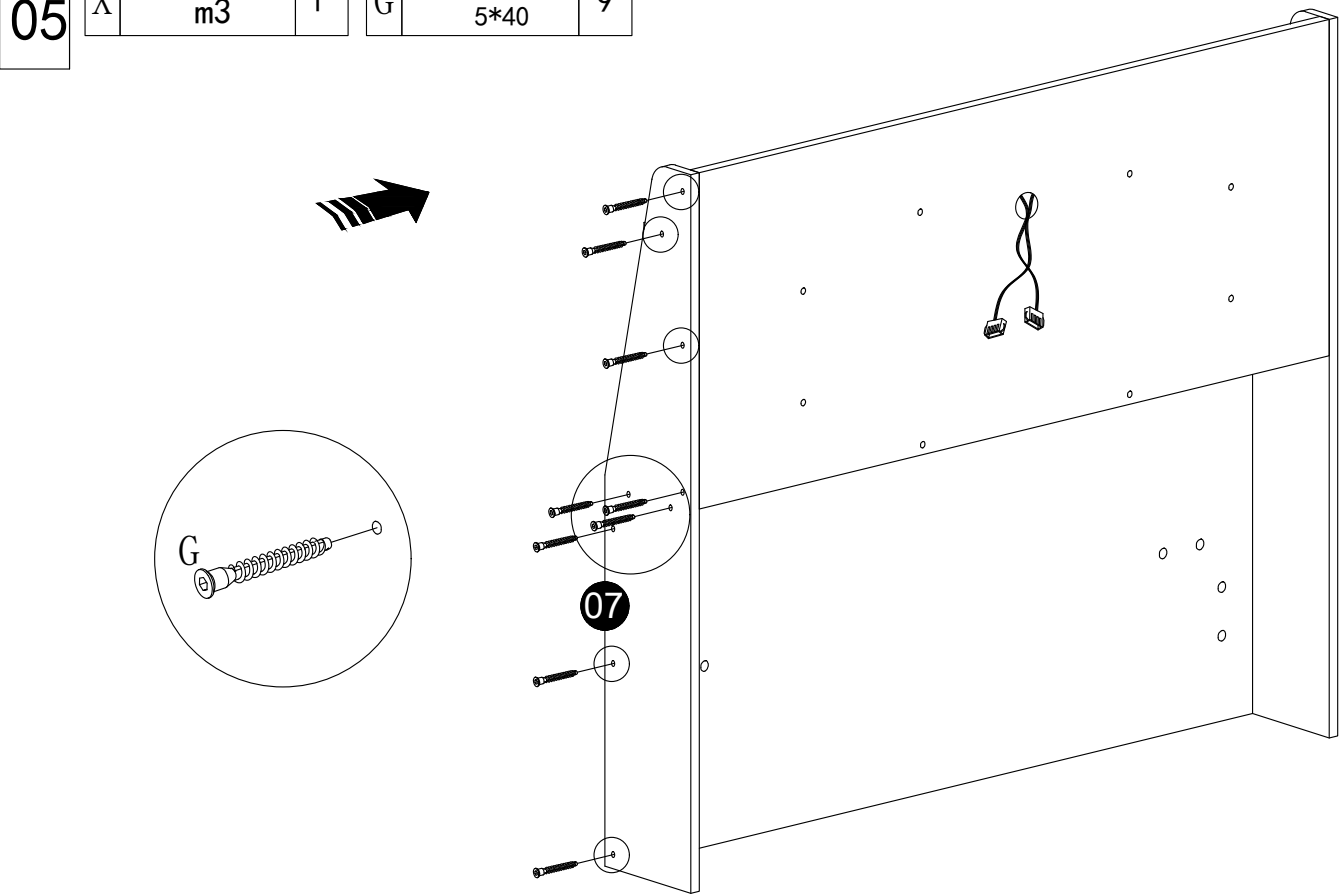
03	X	m3	1	G	 5*40	8
----	---	----	---	---	--	---







04	X	m3	1	G	 5*40	11
----	---	----	---	---	--	----

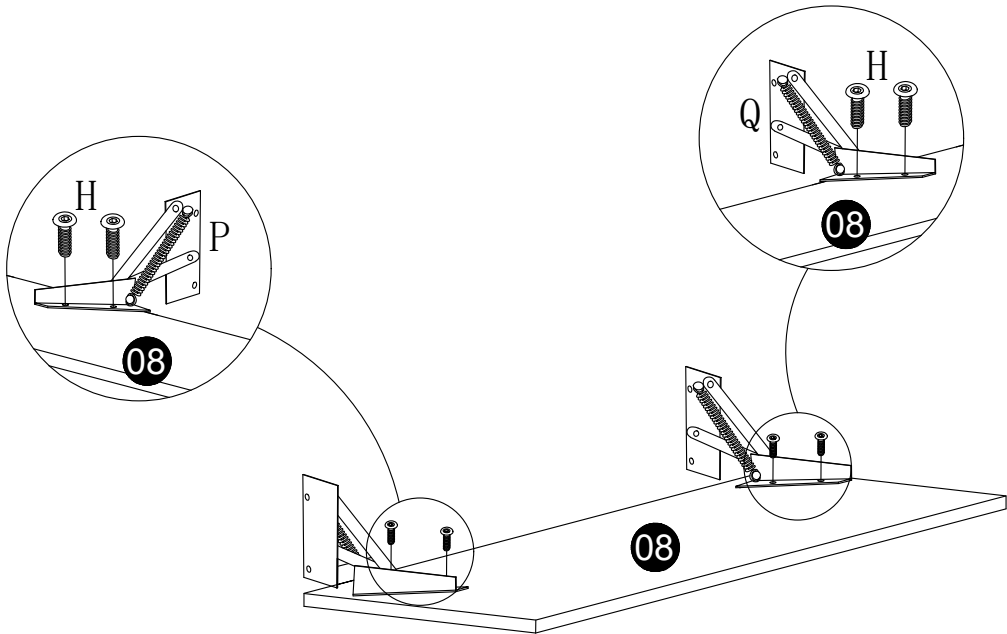


05	X	m3	1	G	 5*40	9
----	---	----	---	---	--	---



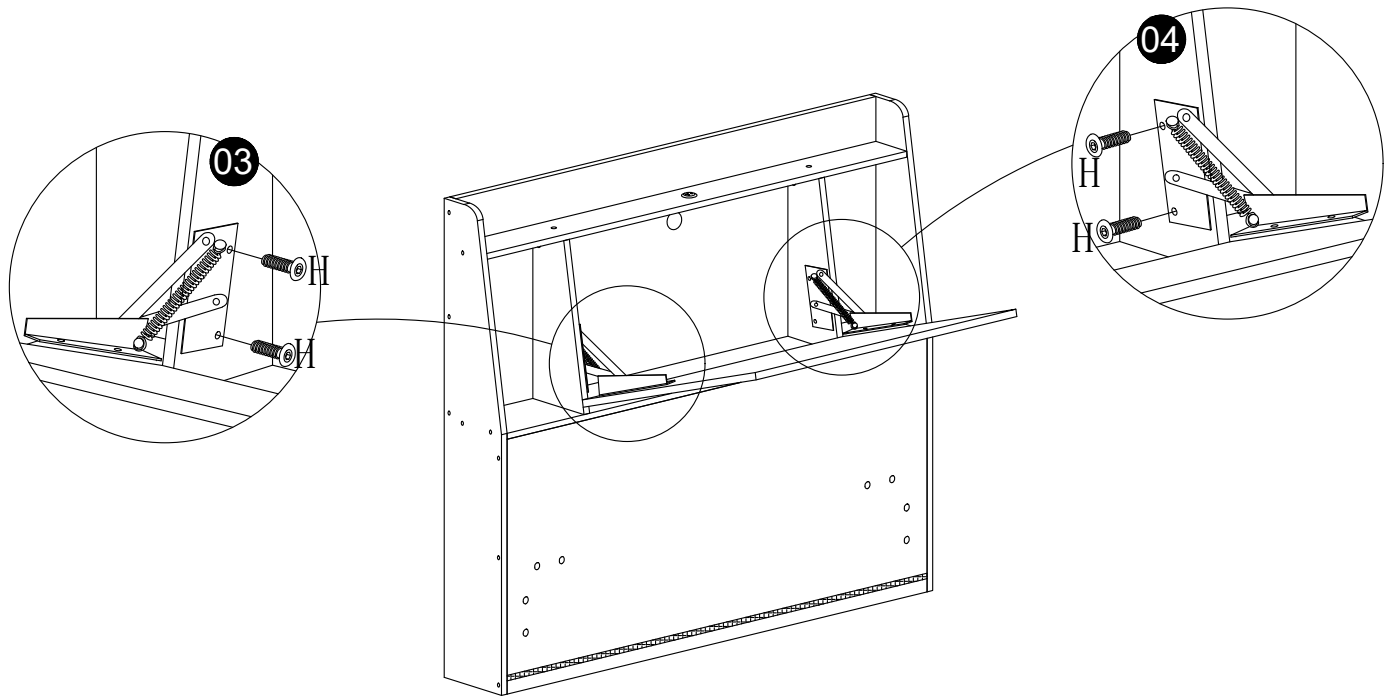
06



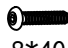
V	 m6	1	H	 6*10	4	P	 1	Q	 1	1
---	--	---	---	--	---	---	---	---	---	---

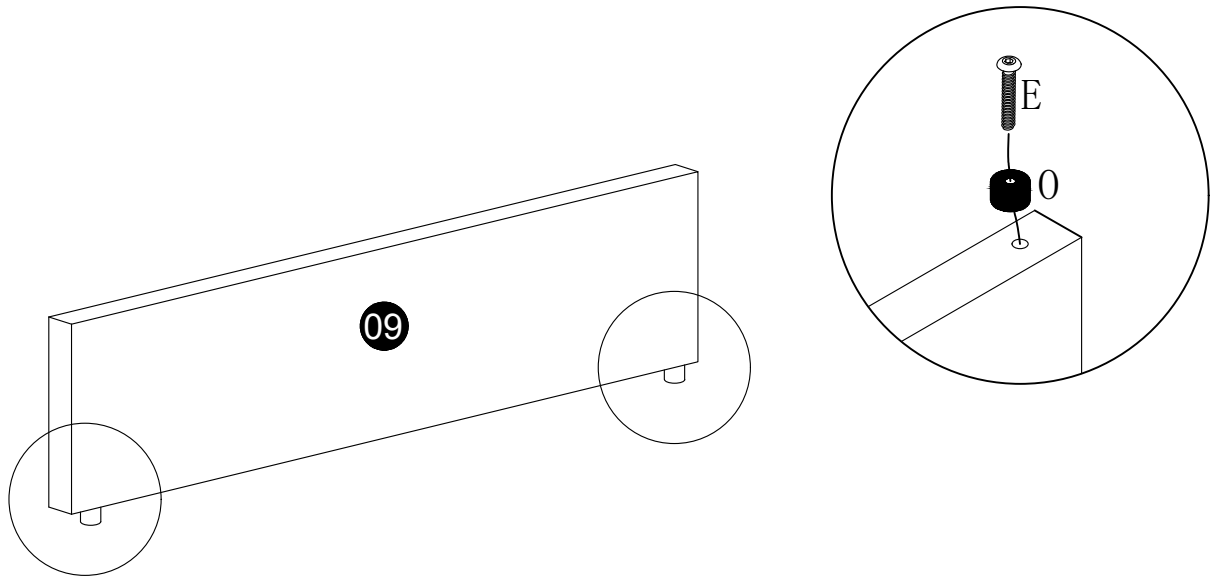



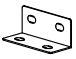



07

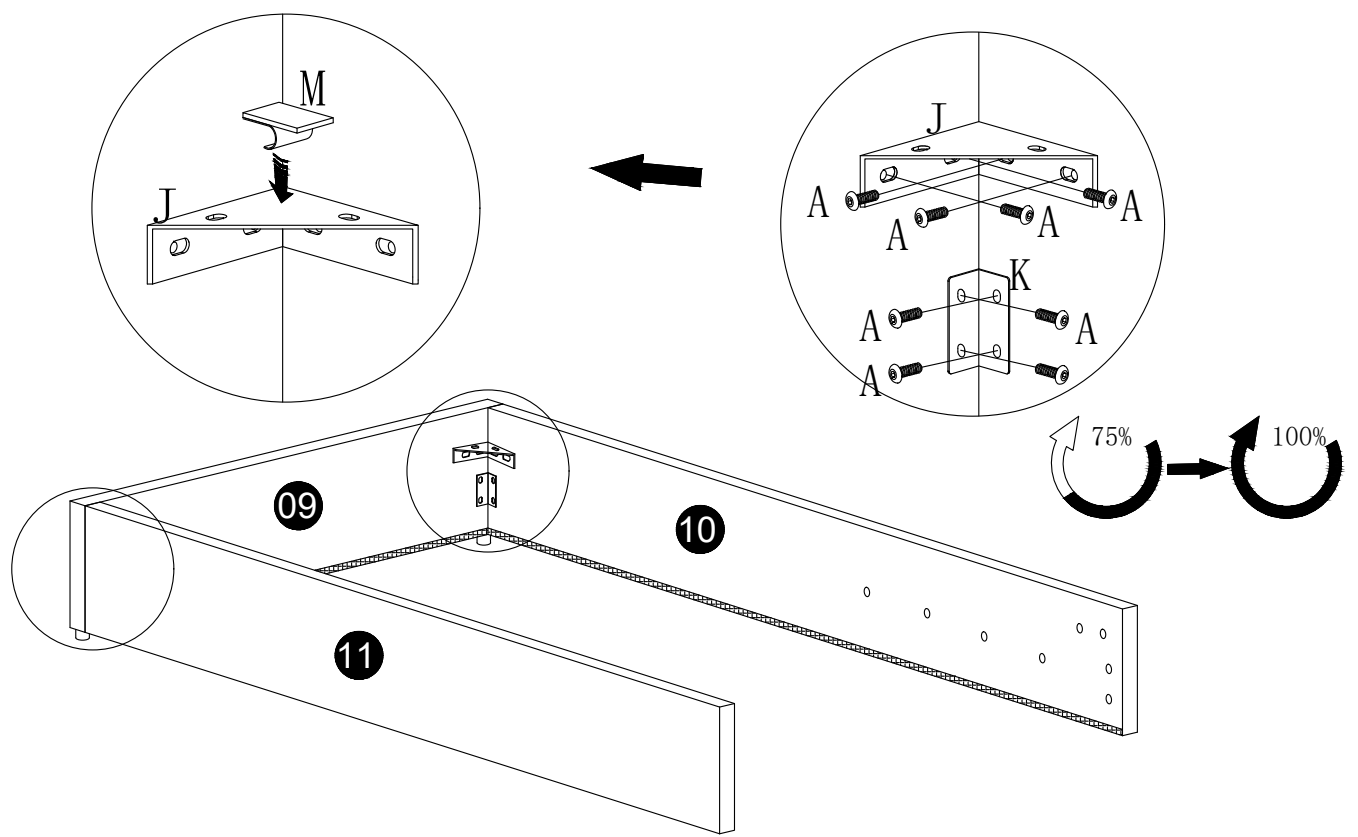
V	 m6	1	H	 6*10	4
---	--	---	---	--	---


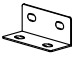
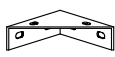




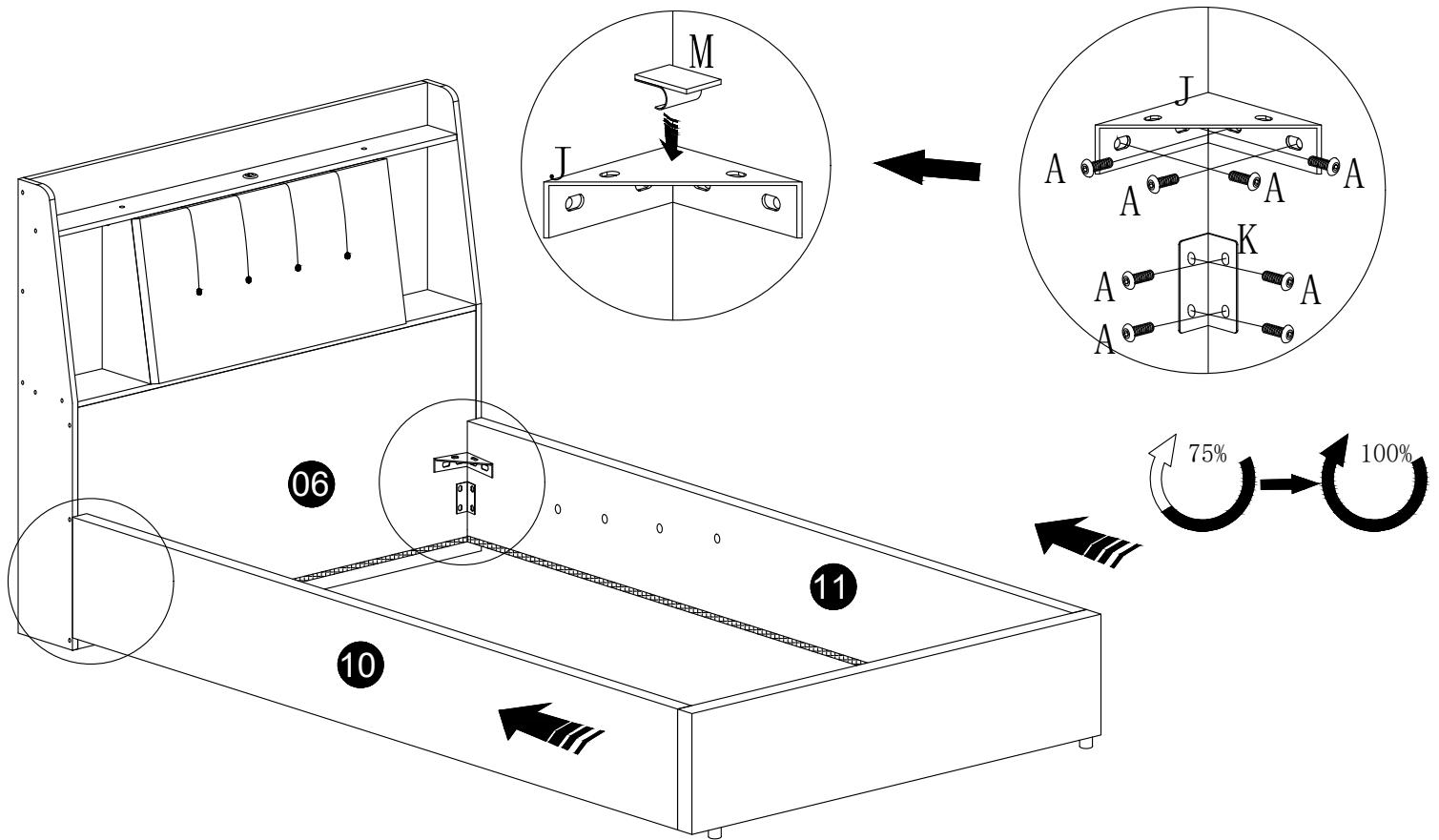
08	W	 m8	1	O	 2.5cm	2	E	 8*40	2
----	---	--	---	---	---	---	---	--	---






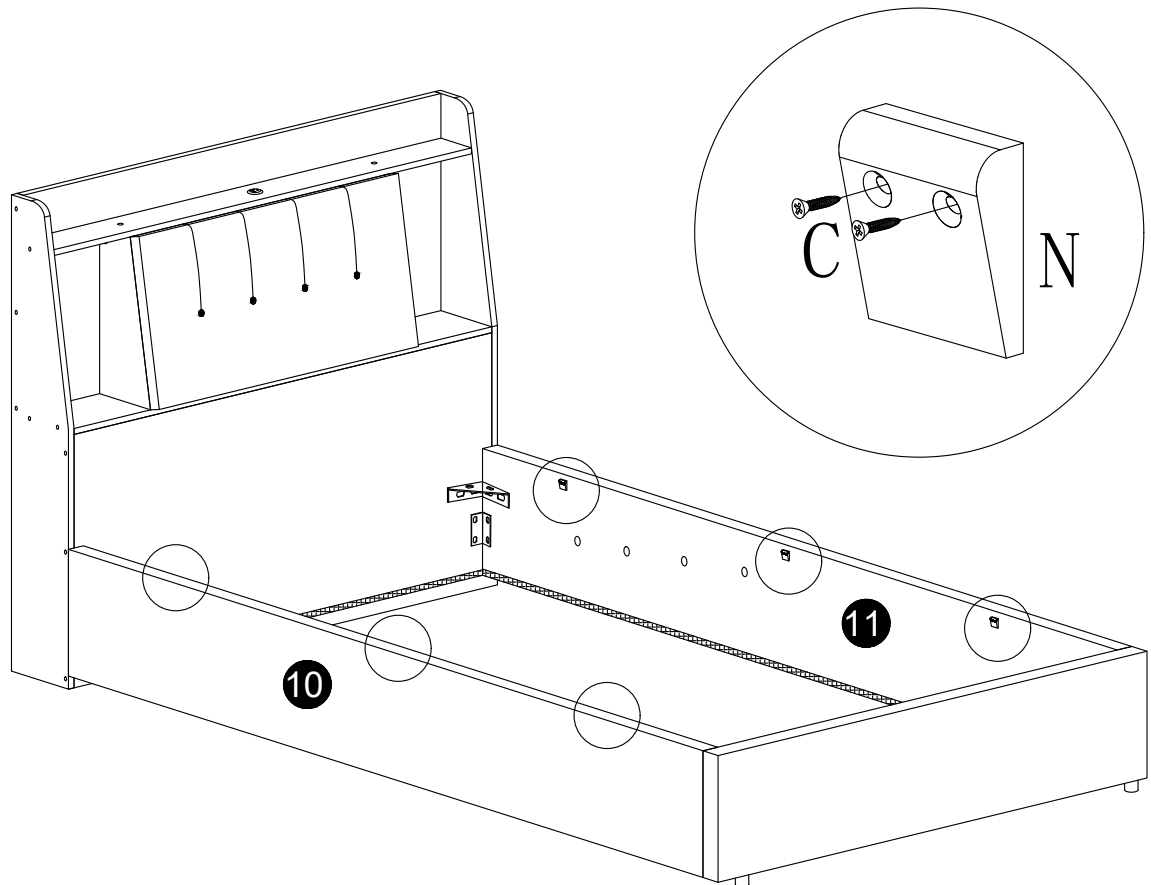
09	W	 m8	1	K		2	J		2	A	 8*20	16	M		2
----	---	--	---	---	---	---	---	---	---	---	--	----	---	---	---


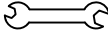





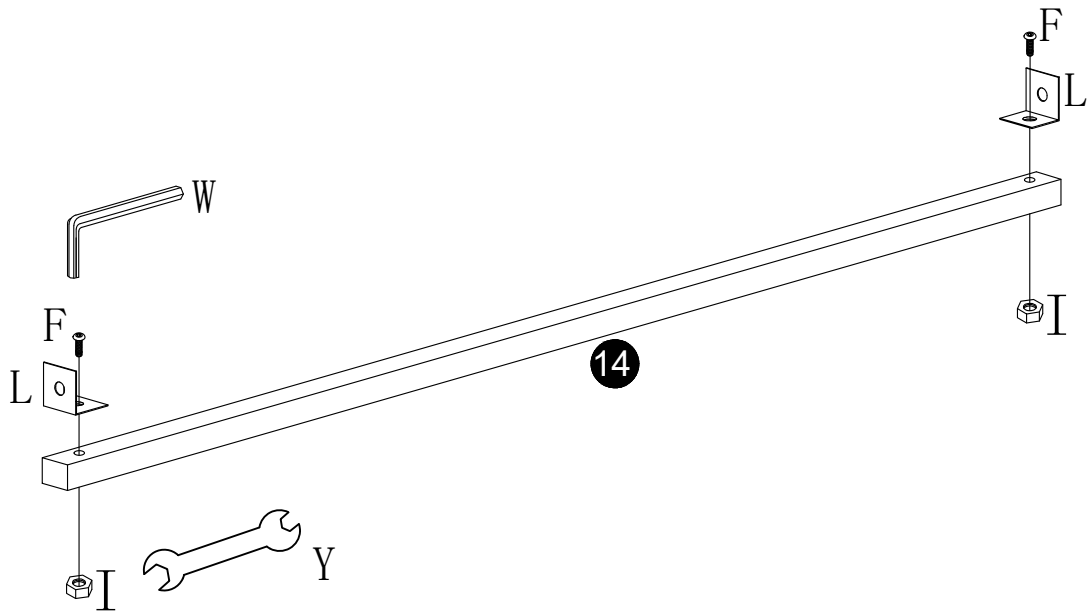
10	W	 m8	1	K		2	J		2	A	 8*20	16	M		2
----	---	--	---	---	---	---	---	---	---	---	--	----	---	---	---





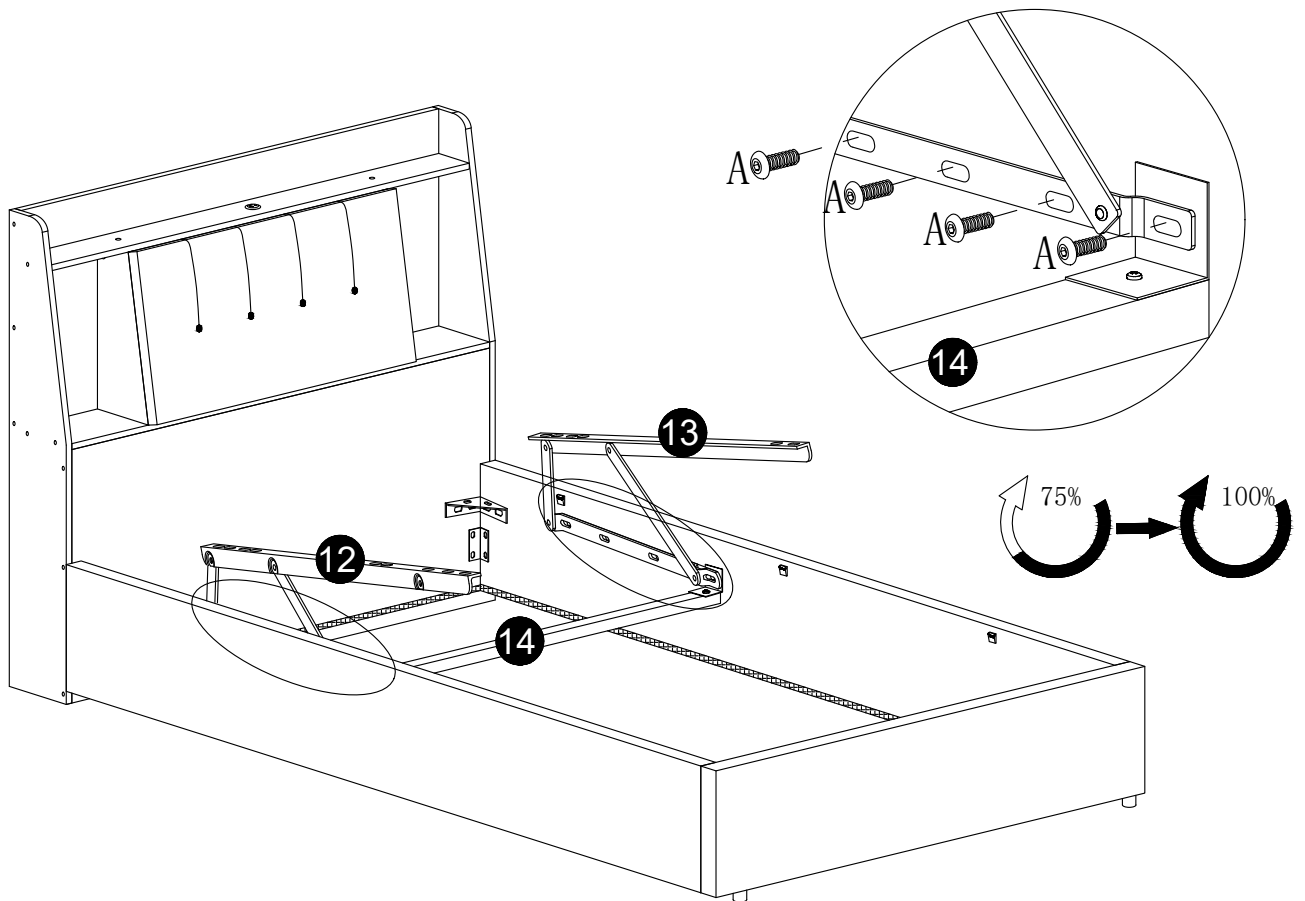
11	Z		1	N		6	C	 3.5*20	12
----	---	---	---	---	---	---	---	--	----

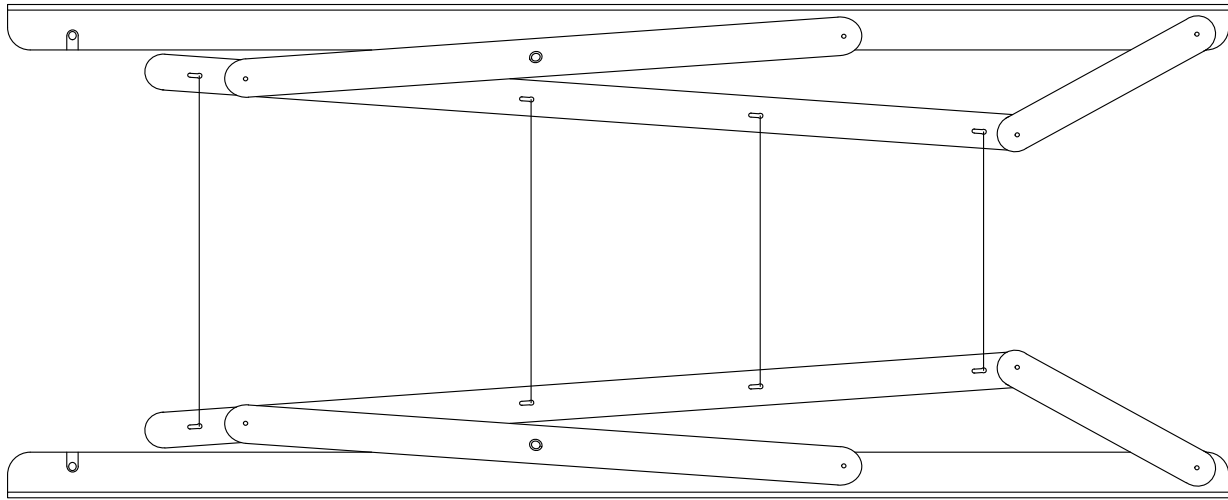


12	W	 m8	1	Y		1	L	 1.6	2	I		2	F	 8*25	2
----	---	--	---	---	---	---	---	---	---	---	---	---	---	--	---



13	W	 m8	1	A	 8*20	8
----	---	--	---	---	--	---





GB

The hole on the hydraulic rod is oval. Please make sure that the installation positions on the left and right sides are the same. If you accidentally install one side of the hydraulic rod in the front and the other side in the back, the slat frame will be crooked and you will need to disassemble it and reinstall it.

DE

Das Loch an der Hydraulikstange ist oval. Bitte stellen Sie sicher, dass die Einbaupositionen auf der linken und rechten Seite gleich sind. Wenn Sie versehentlich eine Seite der Hydraulikstange vorne und die andere Seite hinten einbauen, kann dies zu Problemen führen. Der Rahmen der Hydraulikstange ist schief und Sie müssen sie zerlegen und neu installieren.

FR

Le trou de la tige hydraulique est ovale. Veillez à ce que les positions d'installation à gauche et à droite soient identiques. Si vous installez accidentellement un côté de la tige hydraulique à l'avant et l'autre à l'arrière,

le cadre à lamelles sera de travers et vous devrez le démonter et le réinstaller.

Il foro dell'asta idraulica è ovale. Assicurarsi che le posizioni di installazione sui

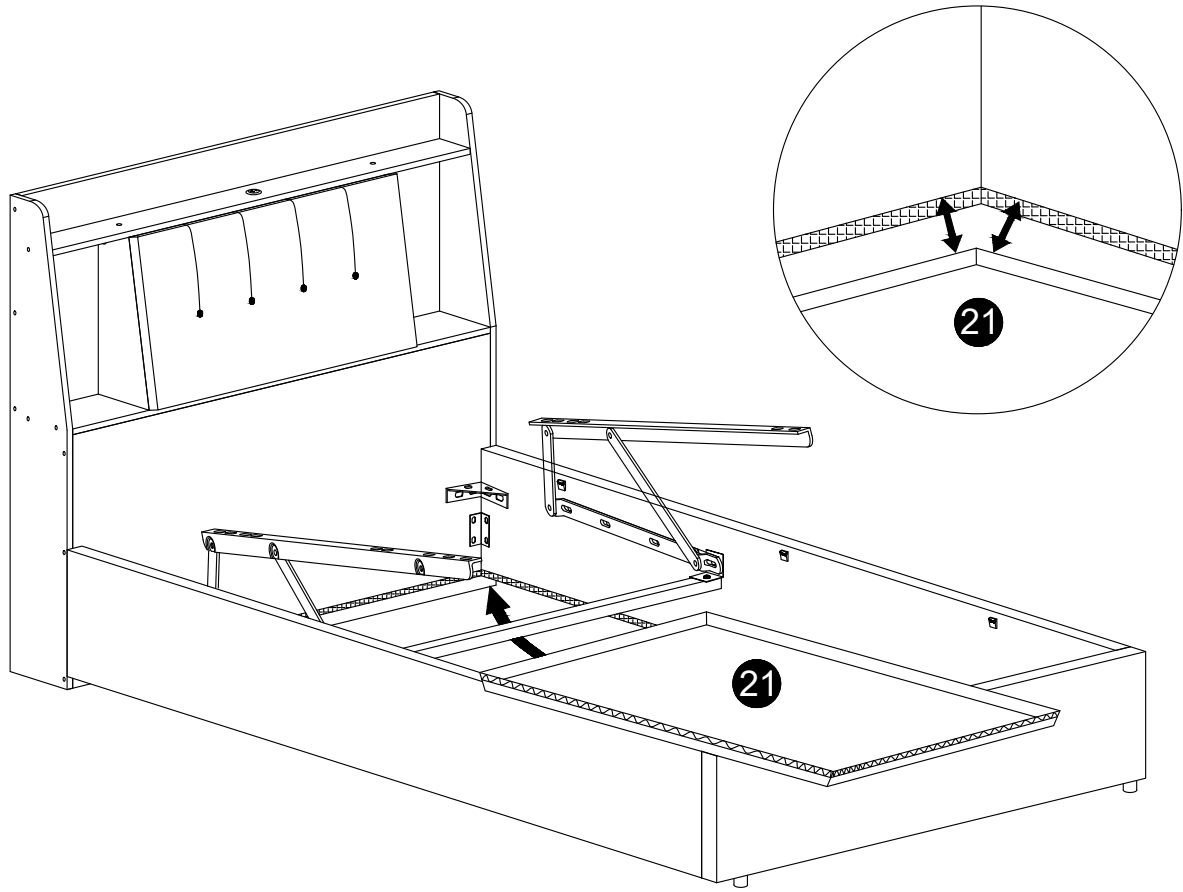
lati destro e sinistro siano identiche. Se si installa accidentalmente un lato dell'asta idraulica nella parte anteriore e l'altro nella parte posteriore, il telaio

delle lamelle risulterà storto e sarà necessario smontarlo e reinstallarlo.

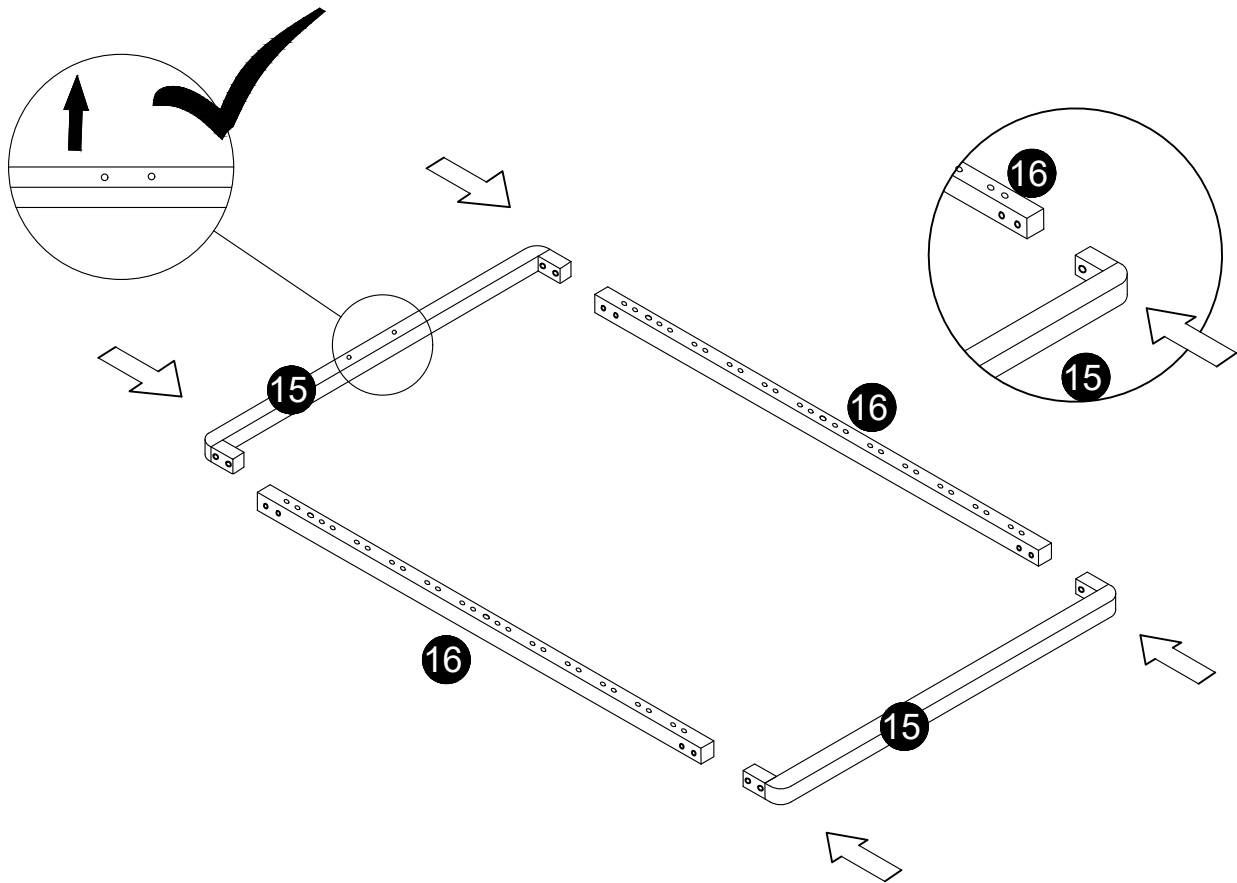
ES

El agujero de la varilla hidráulica es ovalado. Por favor, asegúrese de que las posiciones de instalación en los lados izquierdo y derecho son las mismas. Si instala accidentalmente un lado de la varilla hidráulica en la parte delantera y el otro lado en la parte trasera, el bastidor de lamelas quedará torcido y tendrá que desmontarlo y volver a instalarlo.

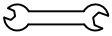



15

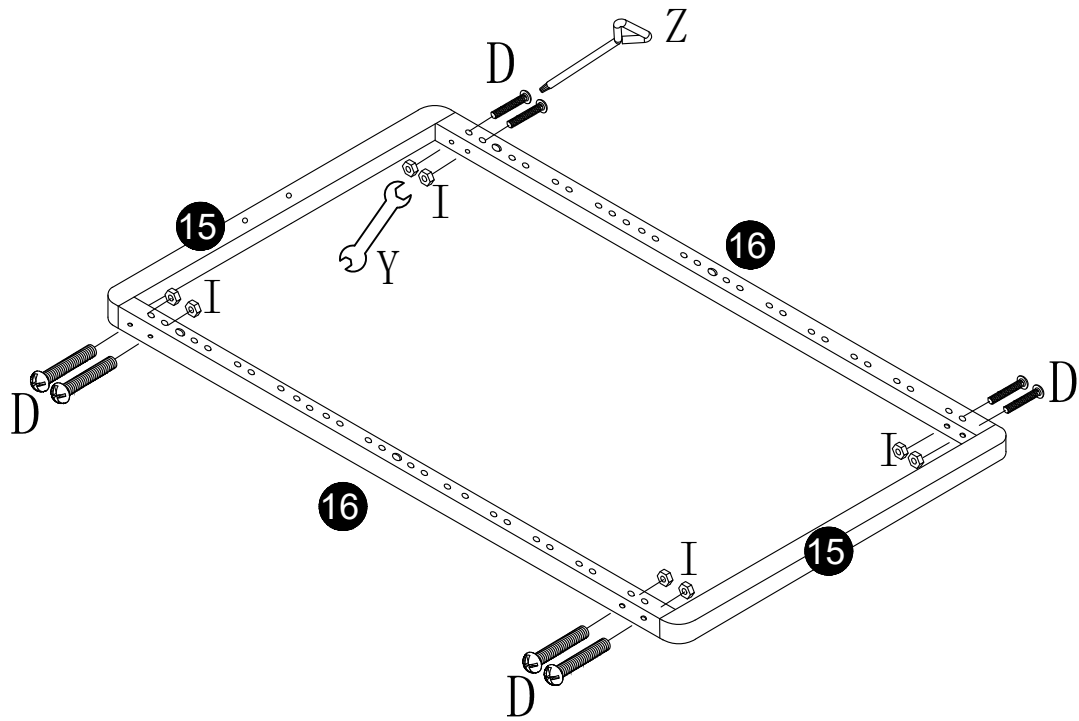


16



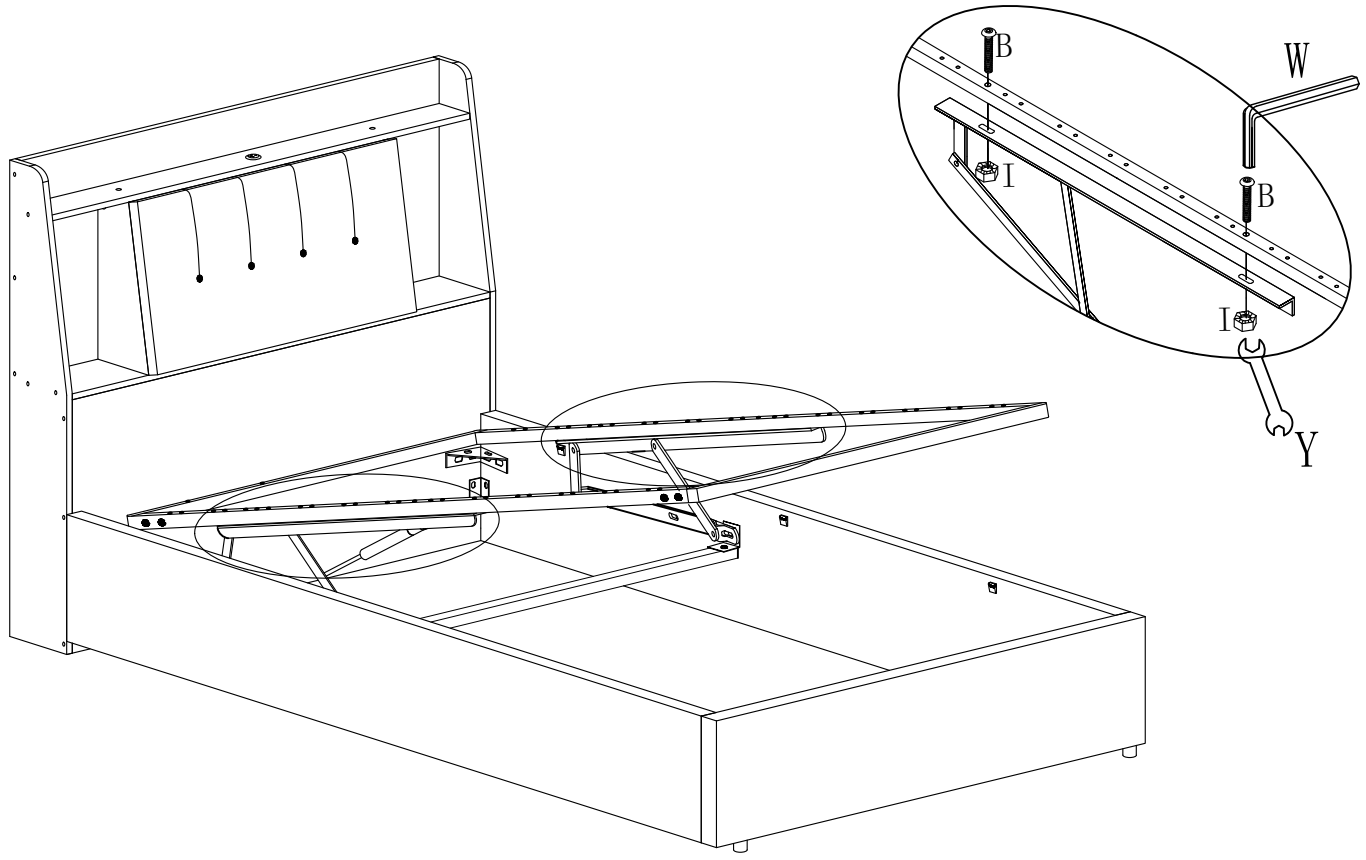
17

Y		1	Z		1	I		8	D		8*40	8
---	---	---	---	---	---	---	---	---	---	---	------	---

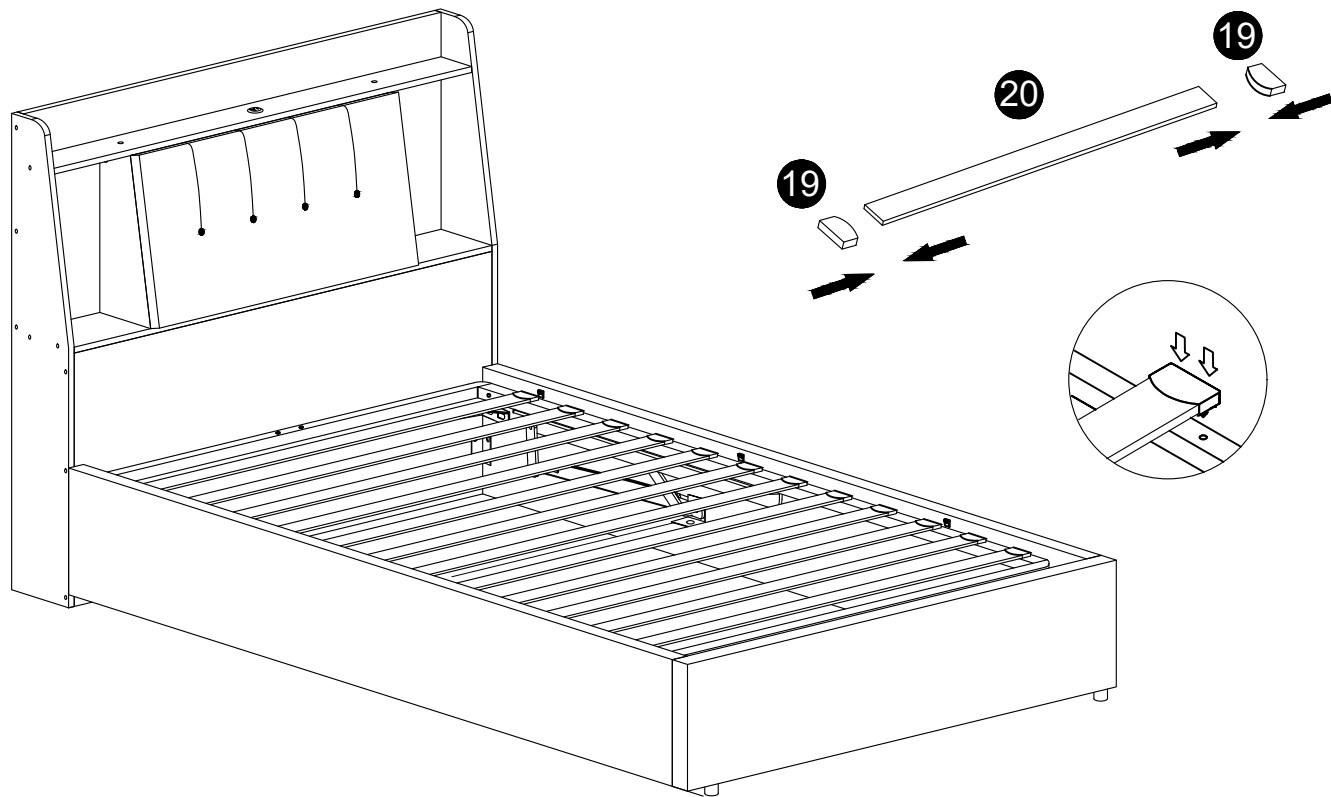


18

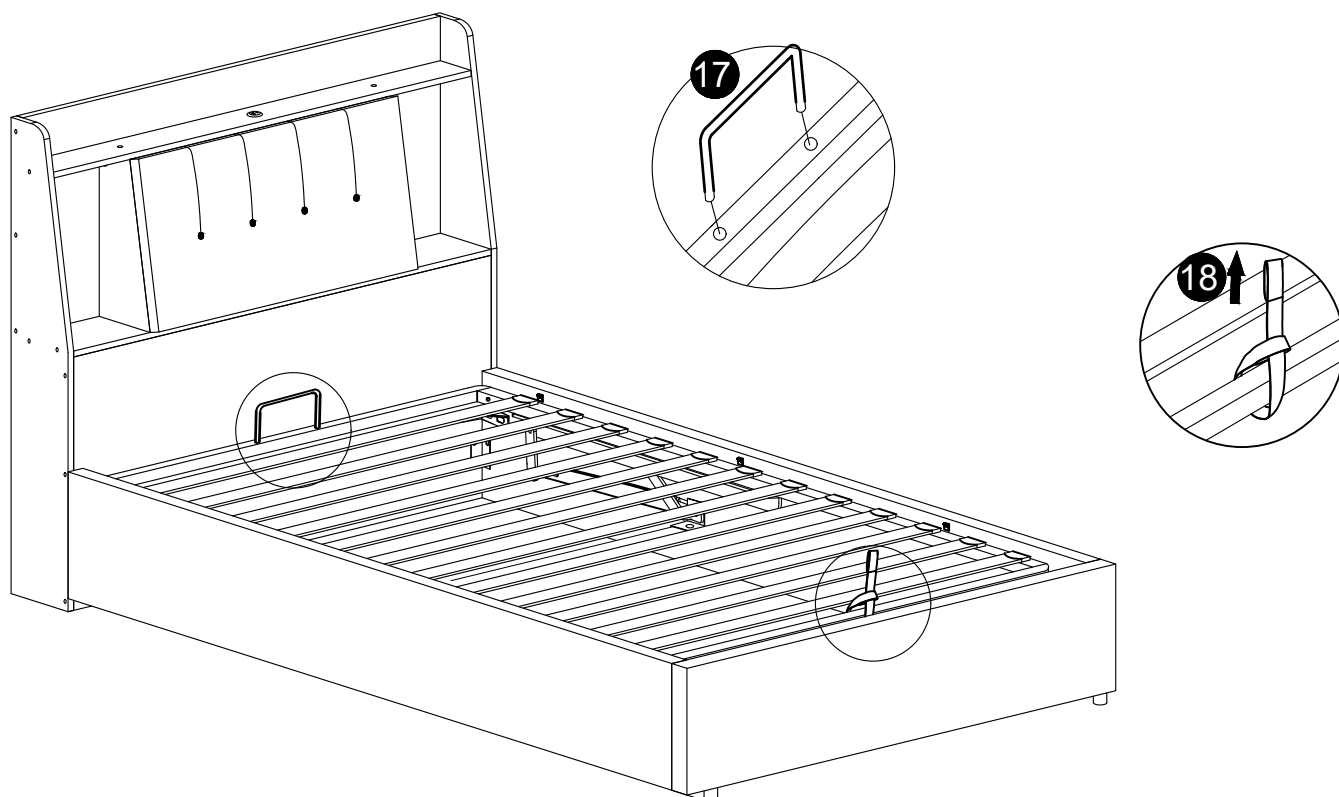
W		m8	1	Y		1	B		8*50	4	I		4
---	---	----	---	---	---	---	---	---	------	---	---	---	---

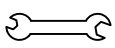


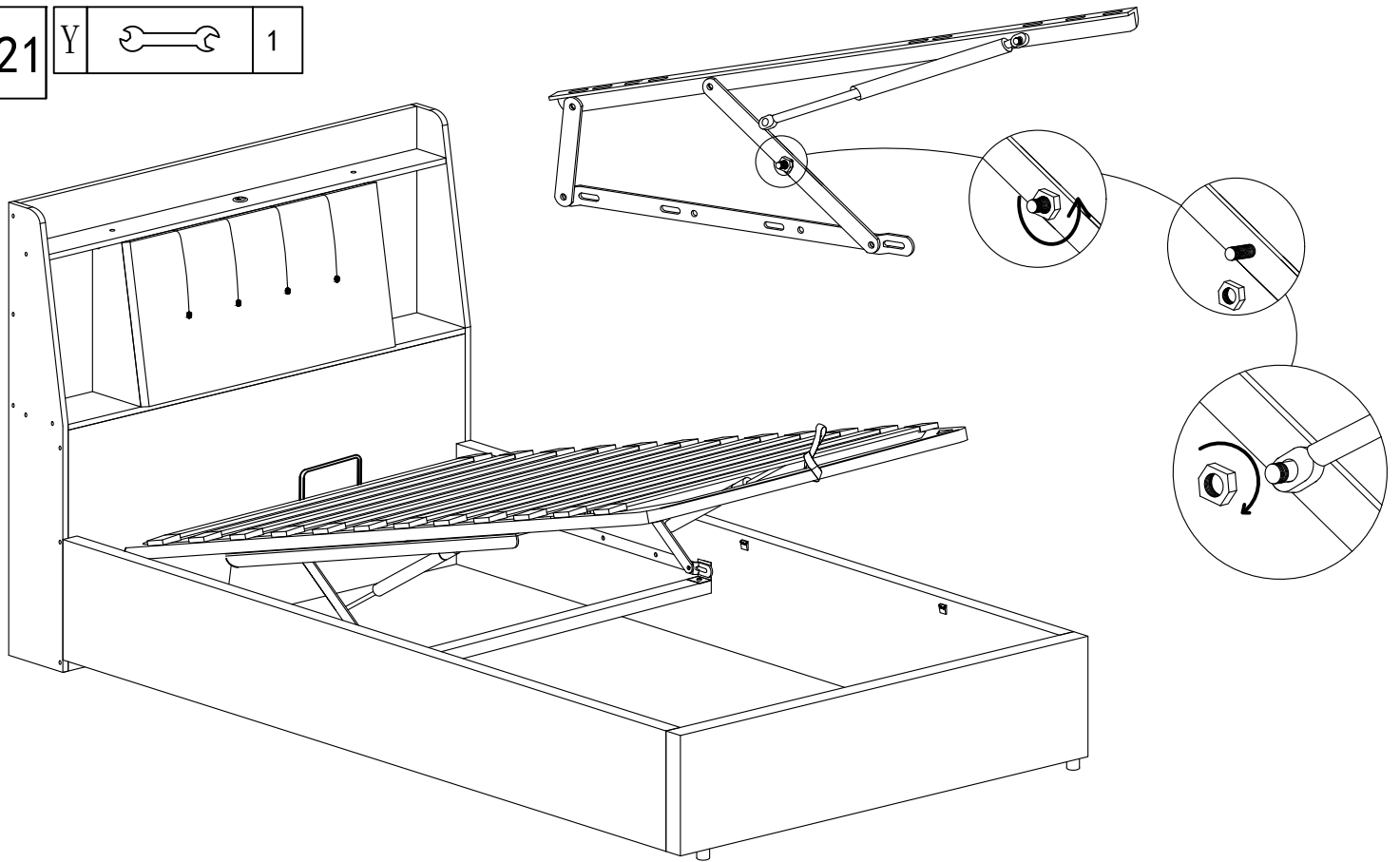
19


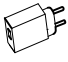


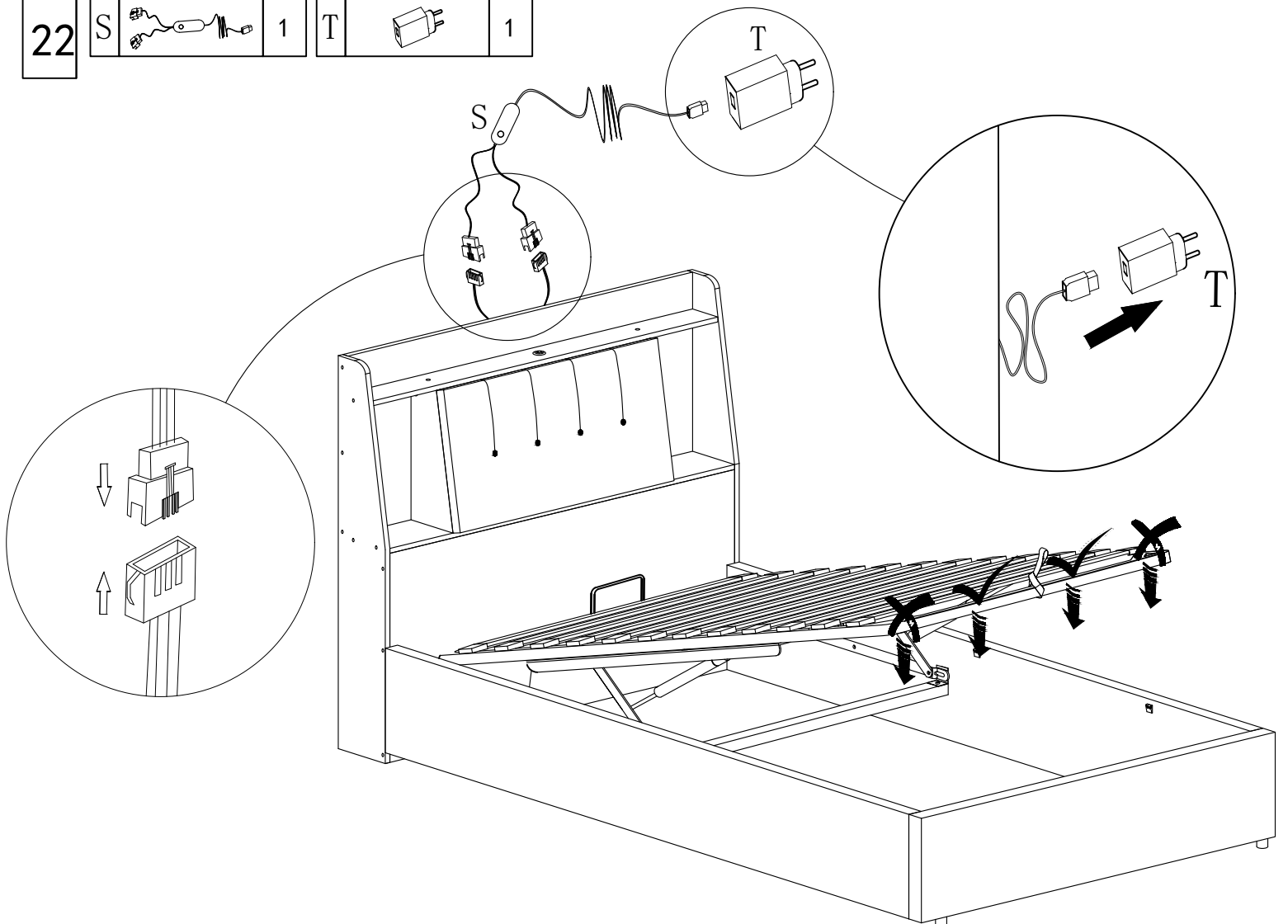
20



21 Y  1



22 S  1 T  1





Declaration of Conformity

Certificate No. : AOCE240301111-EC
Applicant : Zhongshan Quanluo Lighting Co., Ltd.
Address : 5th Floor, Building 2, No. 3, Yongyi 6th Road, Yongxing Industrial Zone,
Henglan Town, Zhongshan City, Guangdong Province
Product : LED Light Strip
Trademark : /
Model(s) : KB72RGB-S5050-12V, KB120RGB-S5050-12V, KB60RGB-S5050-12V,
KB30RGB-S5050-12V, KB72RGB-S5050-24V, KB120RGB-S5050-24V,
KB60RGB-S5050RGB-24V, KB30RGB-S5050-24V, KB120S2835-12V,
KB60S2835-12V, KB180S2835-12V, KB240S2835-12V, KB120S2835-24V,
KB60S2835-24V, KB180S2835-24V, KB240S2835-24V, KB180HCSS-12V,
KB240HCSS-12V, KB180HCSS-24V, KB240HCSS-24V, KB384COB-12V,
KB480COB-12V, KB480COB-24V, KB180COB-12V, KB196COB-12V,
KB320COB-12V, KB400COB-12V, KB320COB-24V, KB240COB-24V,
KB312COB-24V, KB360COB-24V, KB480COB-24V, KB400COB-24V,
KB512COB-24V
Manufacturer : Zhongshan Quanluo Lighting Co., Ltd.
Address : 5th Floor, Building 2, No. 3, Yongyi 6th Road, Yongxing Industrial Zone,
Henglan Town, Zhongshan City, Guangdong Province
Test Report : AOCE240301111-E

Complies with the requirements of the
EC EMC directive 2014/30/EU with amendments.

Test Standards:

EN IEC 55015:2019+A11:2020

EN 61547: 2009

EN IEC 61000-3-2:2019+A1:2021

EN 61000-3-3: 2013+A1:2019+A2:2021

Remarks:

The **CE** markings as shown below can be affixed on the product after preparation of necessary conformity documentation, as stipulated in article 10 of the Council Directive **93/68/EEC**.



Zhongshan AOCE Testing Technology Co., Ltd.

Disika, 1/F., No.42, Chang'an South Road, Henglan, Zhongshan, Guangdong, China.

Te: +86-0760-87553128 Web: www.aoce-lab.com Email: guanlilin@aoce-lab.com



Product Service

Attestation of Conformity

No. N8A 120613 0002 Rev. 00

Holder of Attestation: DONGGUAN BAIYOU ELECTRONIC CO.,LTD2F A Building Wufeng Industrial, Jintan Road, Shijie Town
523290 Dongguan City
PEOPLE'S REPUBLIC OF CHINA**Product: Multiple Socket Outlets**

This Attestation of Conformity is issued on a voluntary basis according to the Low Voltage Directive 2014/35/EU relating to electrical equipment designed for use within certain voltage limits. It confirms that the listed equipment complies with the principal protection requirements of the directive and is based on the technical specifications applicable at the time of issuance. It refers only to the particular sample submitted for conformity assessment. For details see: www.tuvsud.com/ps-cert

Test report no.: 874102337701-00

Date, 2023-09-06

(Jie Zhu)

Page 1 of 3

This Attestation does not replace the regulatory EU Declaration of Conformity (DoC) and does not allow for CE marking. After preparation of the necessary documentation and establishing compliance to requirements of all applicable directives, the manufacturer may sign a DoC and apply the CE marking. The DoC is issued under the sole responsibility of the manufacturer.





Product Service

Attestation of Conformity

No. N8A 120613 0002 Rev. 00

Model(s): BY213-G011Y, BY213-G011Y-C,
BY213-G021Y, BY213-G021Y-C,
BY213-G031Y, BY213-G031Y-C,
BY213-G041Y, BY213-G041Y-C

Parameters:

Rated voltage: 250V~
Rated frequency: 50Hz
Rated current: 16A
Protection class: I
Degree of protection: IP20
Type of cable: H05VV-F 3G1.0mm² or H05VV-F 3G1.5mm²
Remark: For BY213-G011Y, BY213-G021Y,
BY213-G031Y, BY213-G041Y:
USB rated output voltage:5.0VDC
USB rated output current:
Single Type A: 2.1A max
Type A + Type A: 2.1A max

For BY213-G011Y-C, BY213-G021Y-C,
BY213-G031Y-C, BY213-G041Y-C:
USB rated output voltage:5.0VDC
USB rated output current:
Single Type A: 3.0A max
Single Type C: 3.0A max
Type A + Type C: 3.1A max
USB rated output voltage:9.0VDC
USB rated output current:
Single Type A: 2.0A max
Single Type C: 2.22A max
USB rated output voltage:12.0VDC
USB rated output current:
Single Type A:1.5A max
Single Type C: 1.67A max

Page 2 of 3

This Attestation does not replace the regulatory EU Declaration of Conformity (DoC) and does not allow for CE marking. After preparation of the necessary documentation and establishing compliance to requirements of all applicable directives, the manufacturer may sign a DoC and apply the CE marking. The DoC is issued under the sole responsibility of the manufacturer.





Product Service

Attestation of Conformity

No. N8A 120613 0002 Rev. 00

Model	Number of socket-outlets	With two USB ports, type A +type A	With two USB ports, type A+type C
BY213-G011Y	1	Yes	No
BY213-G011Y-C	1	No	Yes
BY213-G021Y	2	Yes	No
BY213-G021Y-C	2	No	Yes
BY213-G031Y	3	Yes	No
BY213-G031Y-C	3	No	Yes
BY213-G041Y	4	Yes	No
BY213-G041Y-C	4	No	Yes

Tested according to:

IEC 60884-1:2002
 IEC 60884-1:2002/AMD1:2006
 IEC 60884-1:2002/AMD2:2013
 IEC 60884-2-7:2011
 IEC 60884-2-7:2011/AMD1:2013
 SS 428 08 34:2013/T1:2018

Page 3 of 3

This Attestation does not replace the regulatory EU Declaration of Conformity (DoC) and does not allow for CE marking. After preparation of the necessary documentation and establishing compliance to requirements of all applicable directives, the manufacturer may sign a DoC and apply the CE marking. The DoC is issued under the sole responsibility of the manufacturer.

