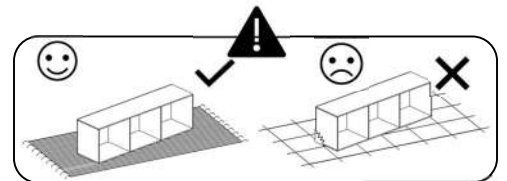
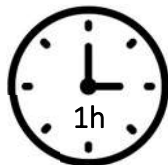
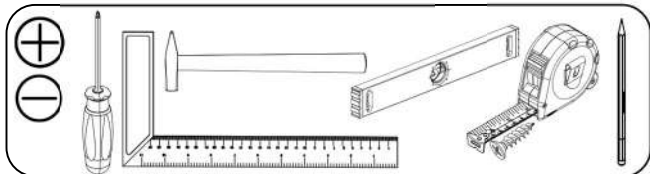
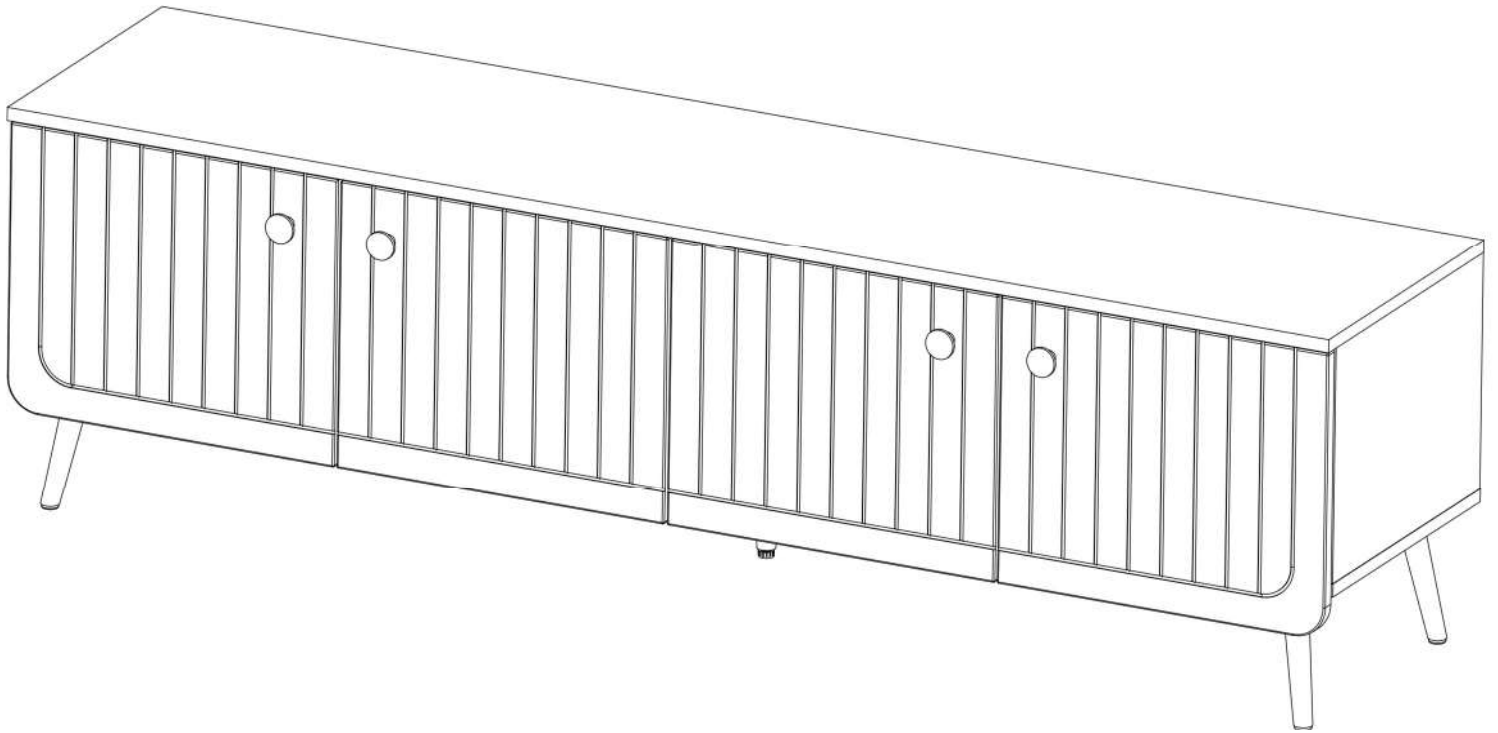
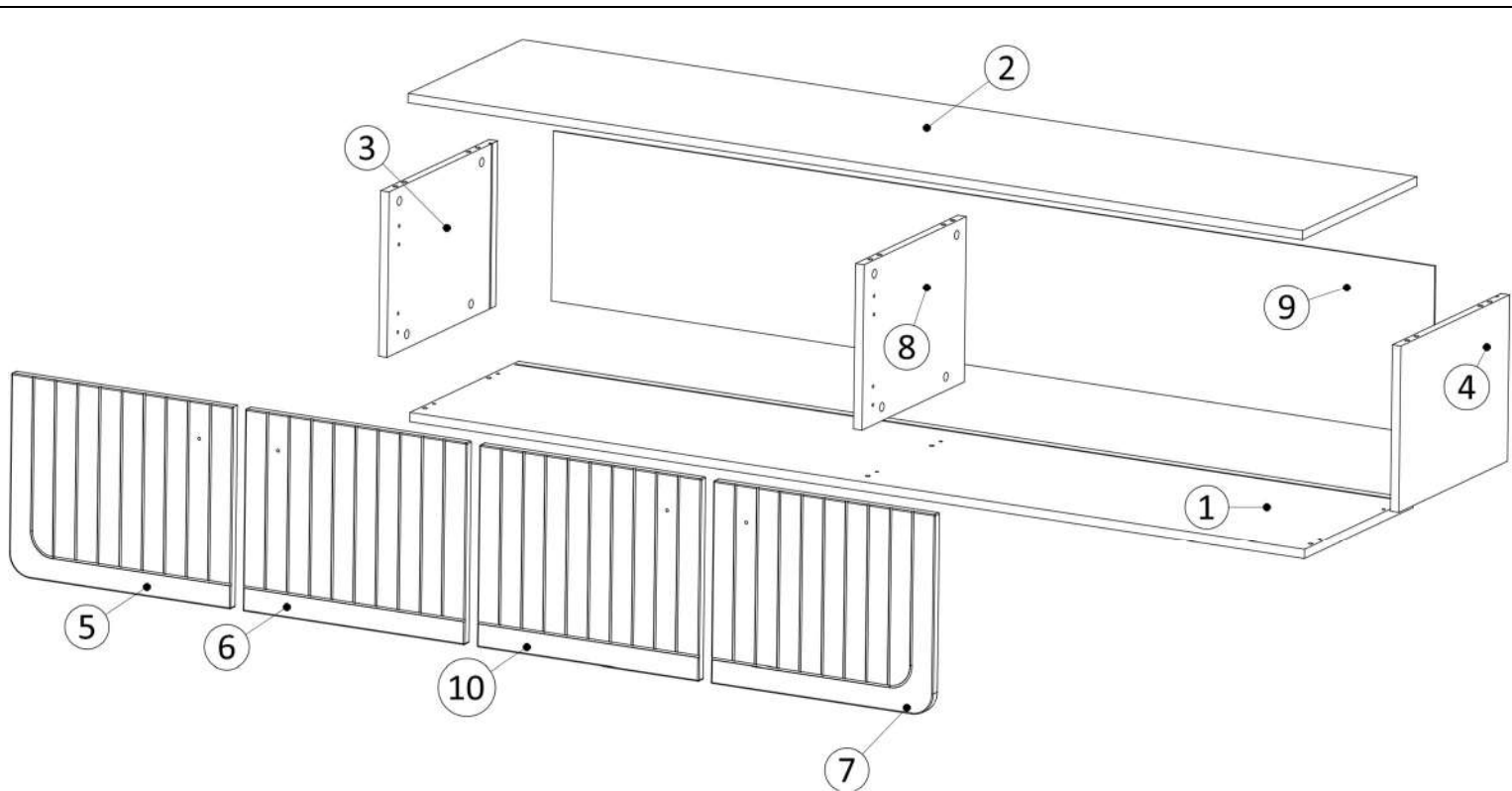


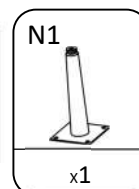
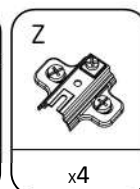
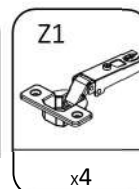
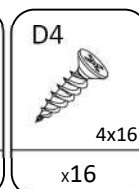
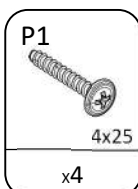
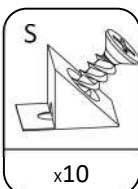
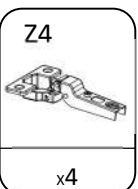
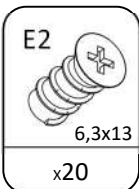
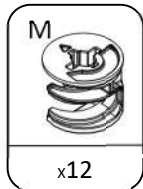
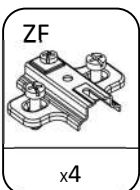
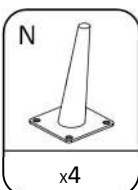
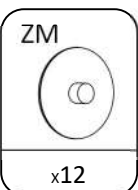
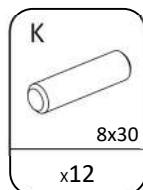
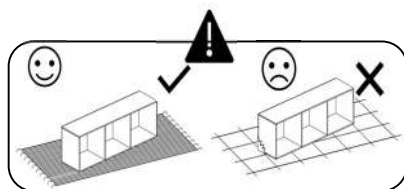
CHLOE

RTV 4D



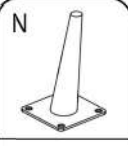


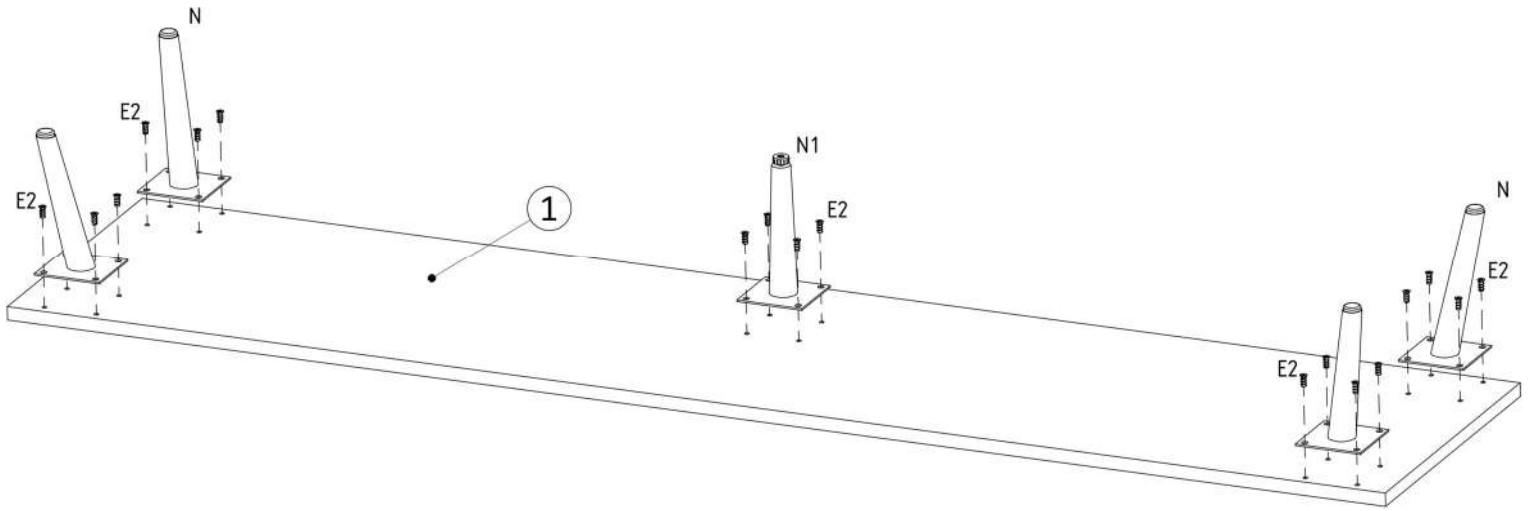


No	T(mm0)	L(mm)	W(mm)	psc.
1	16	1273	380	1
2	16	1273	400	1
3	16	287	380	1
4	16	287	380	1
5	16	349	420	1
6	16	420	349	1
7	16	349	420	1
8	16	287	358	1
9	3	1248	296	1
10	16	420	349	1




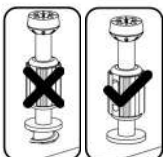
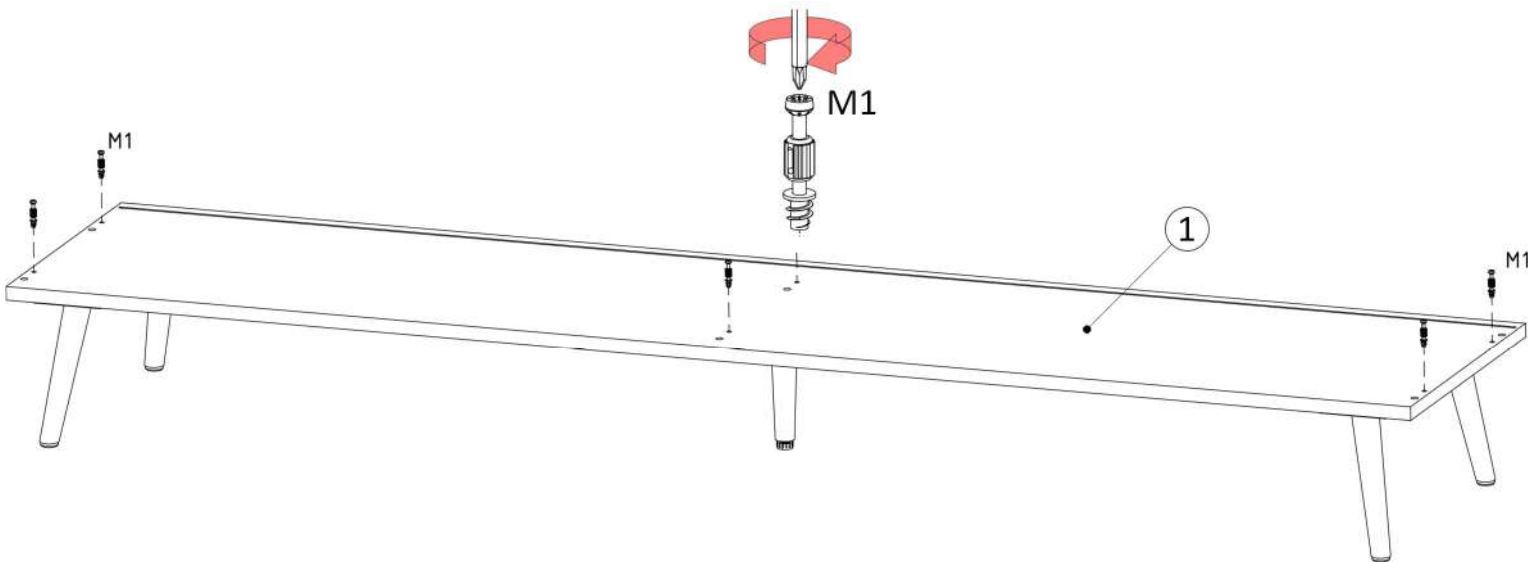
1

 N1 x1	 E2 6,3x13 x20	 N x4
--	---	---

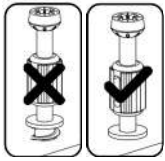
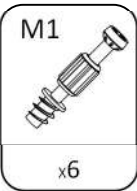
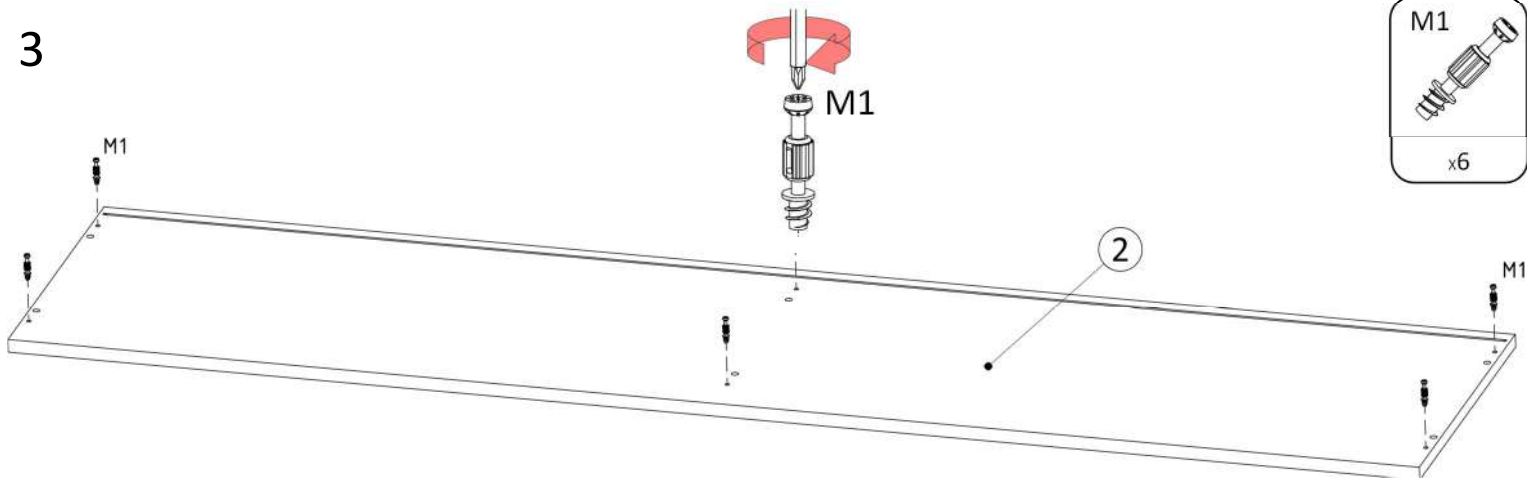


2

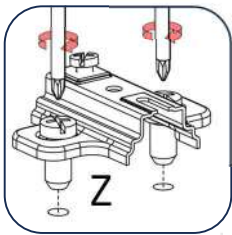
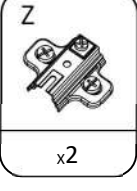
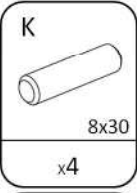
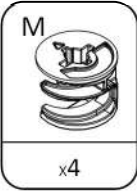
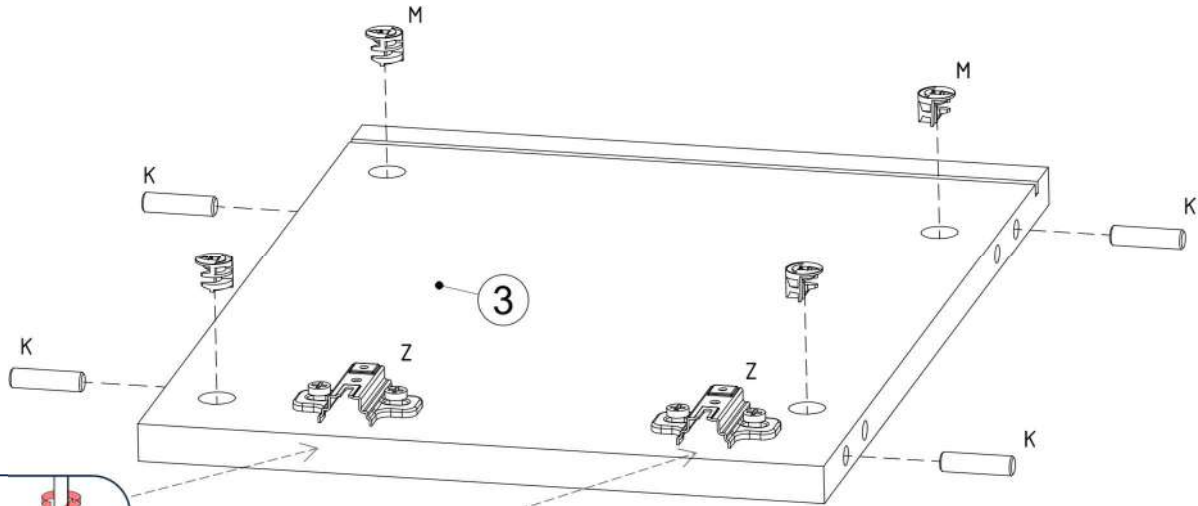
 M1 x6



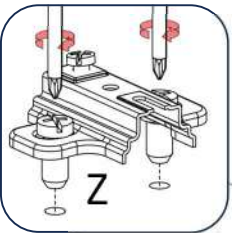
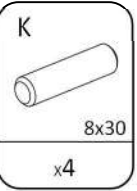
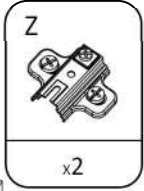
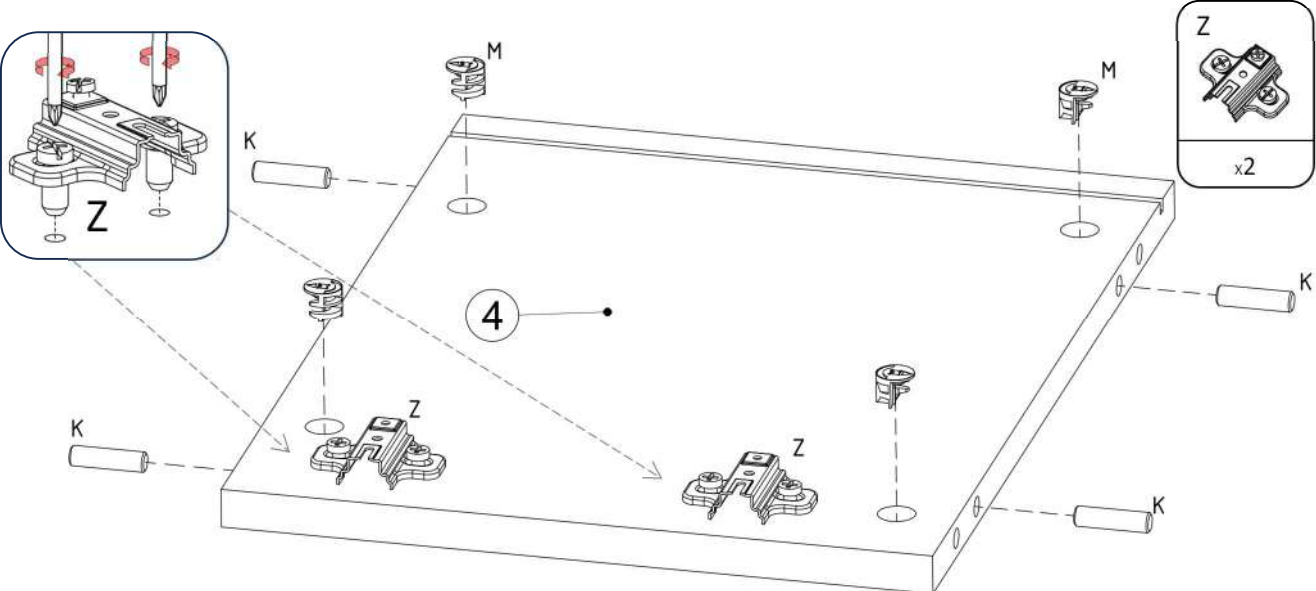
3



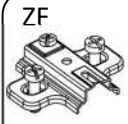
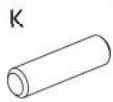

4

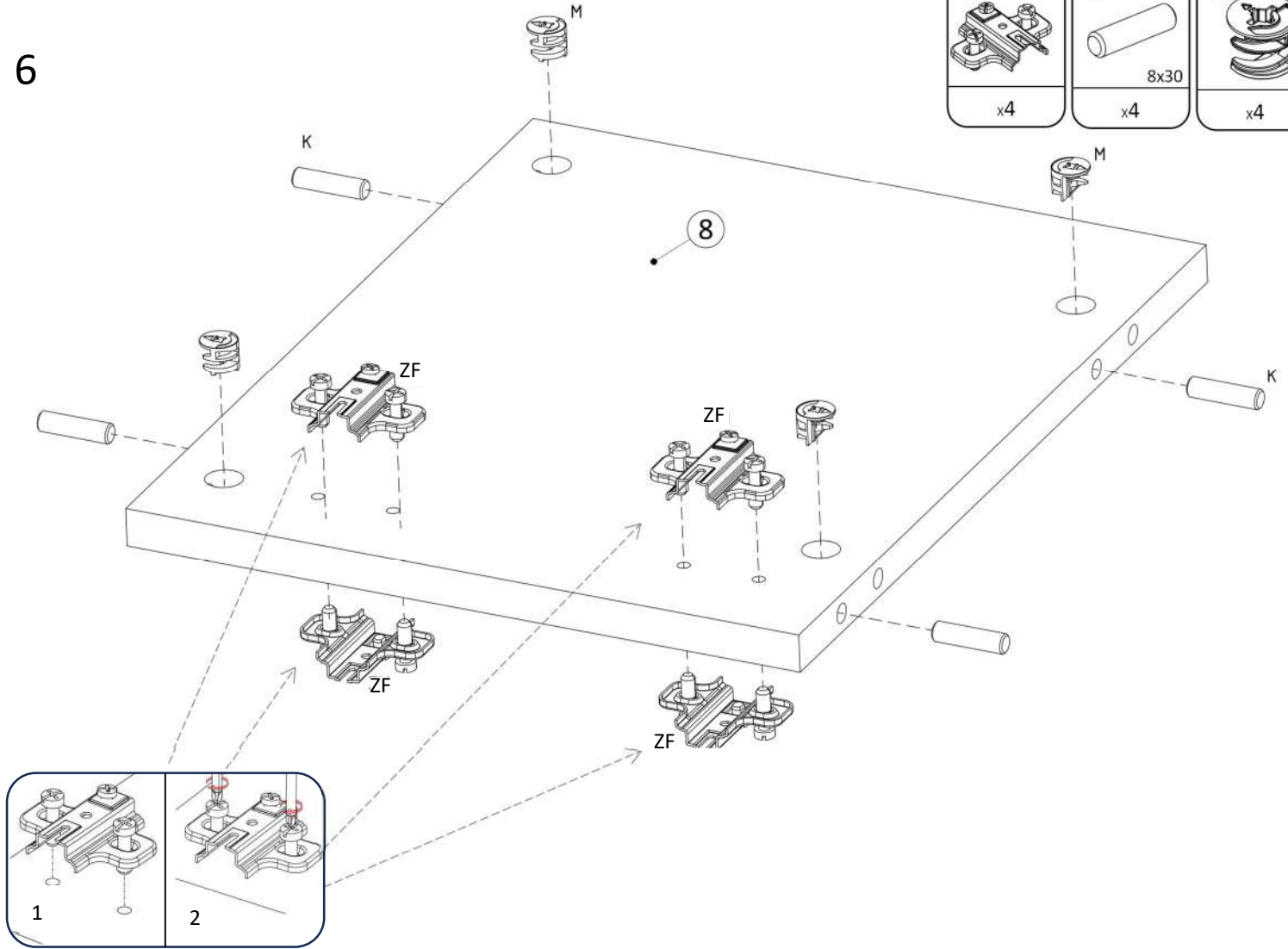


5

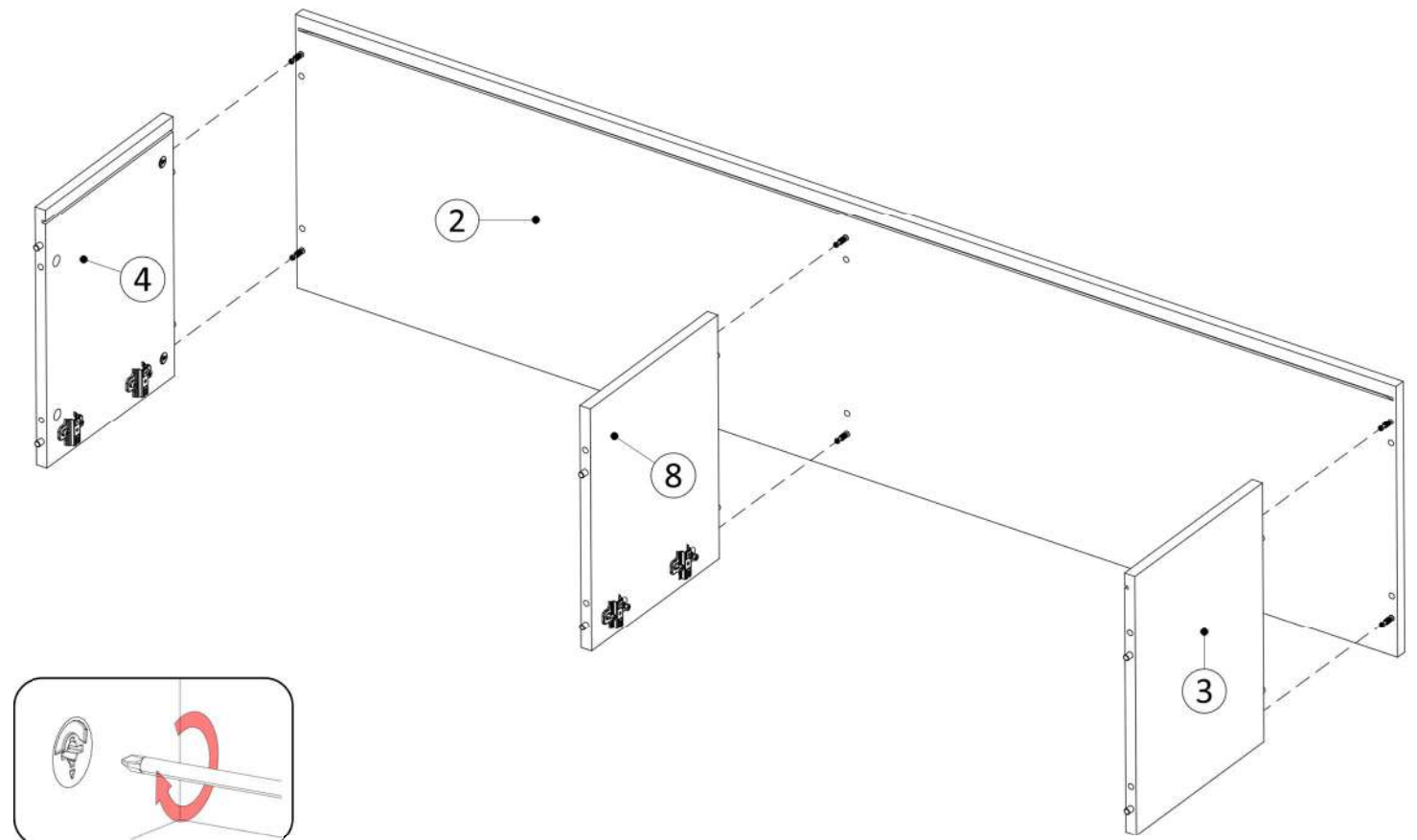


6

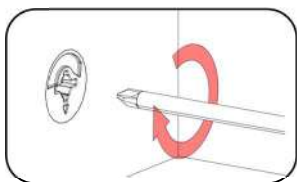
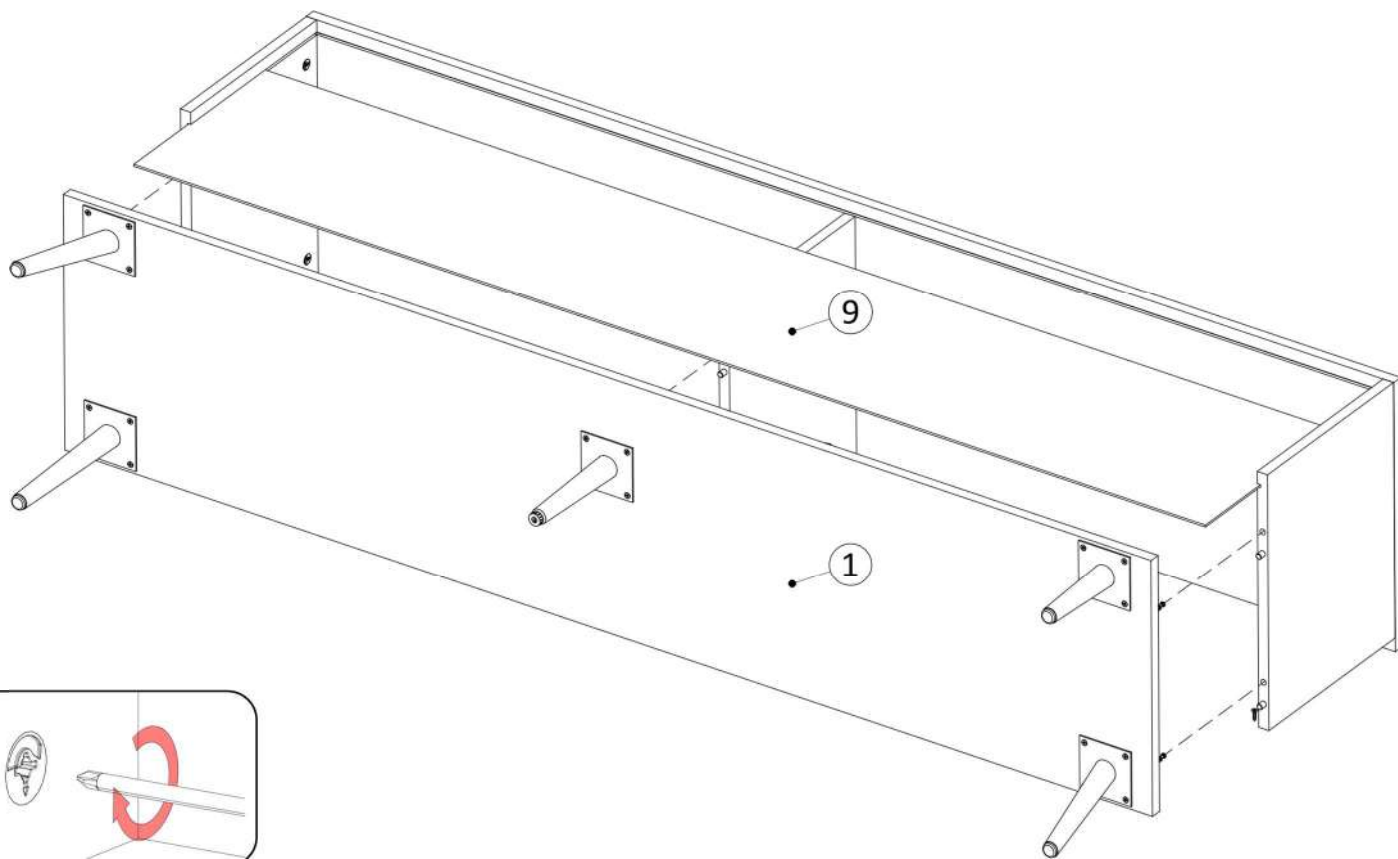
ZF	K	M
		
x4	x4 8x30	x4



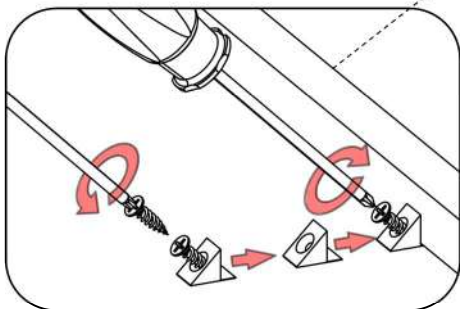
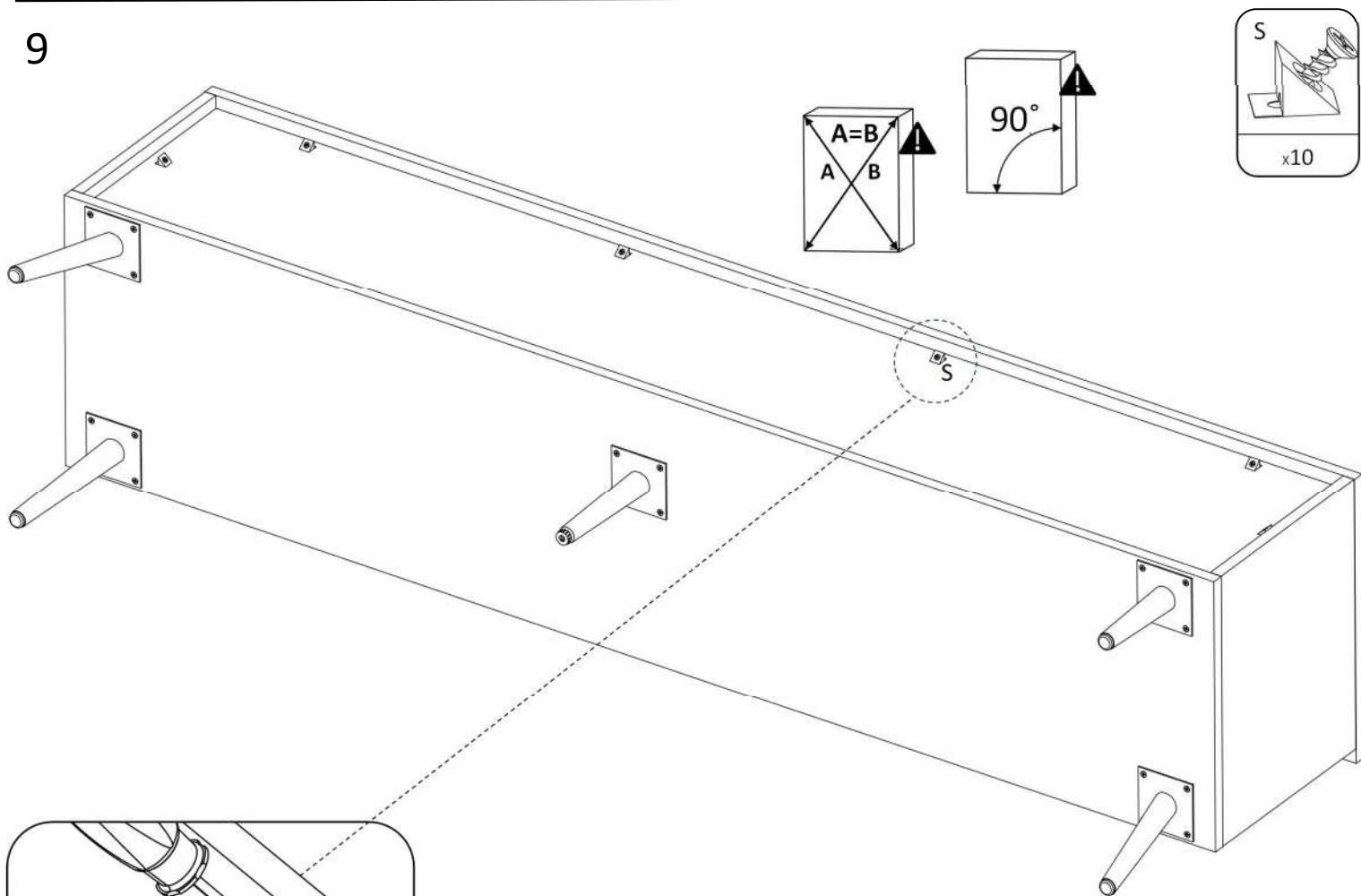
7







8

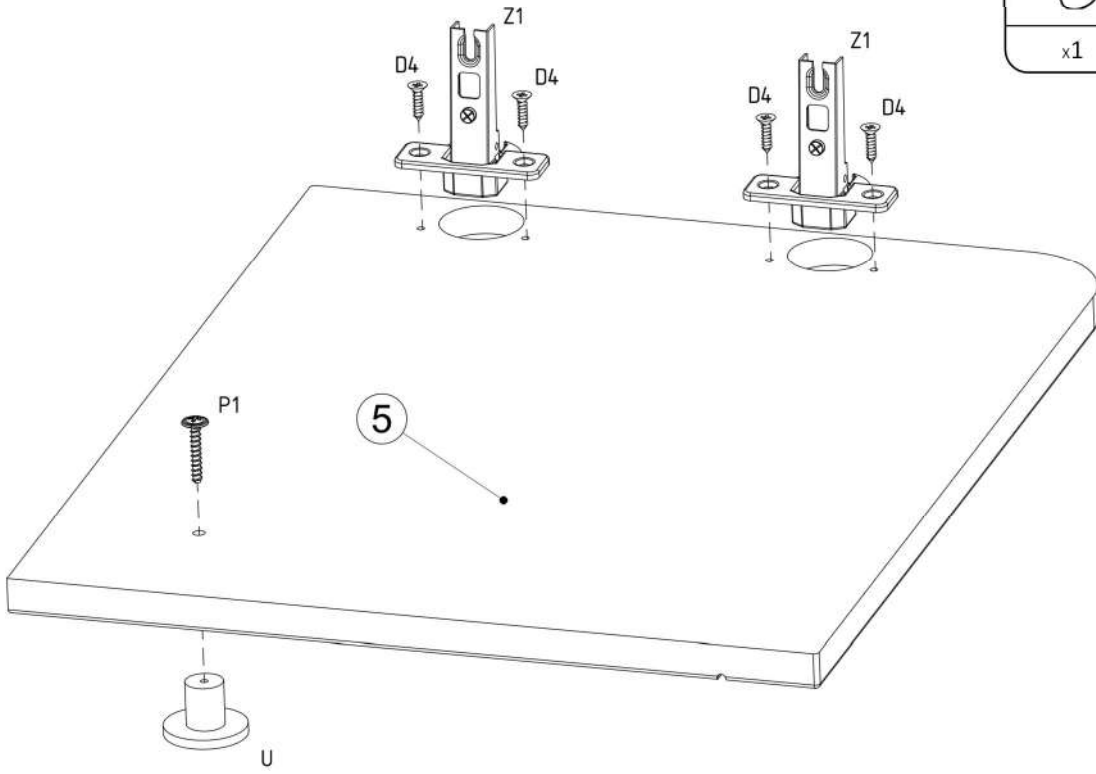


9







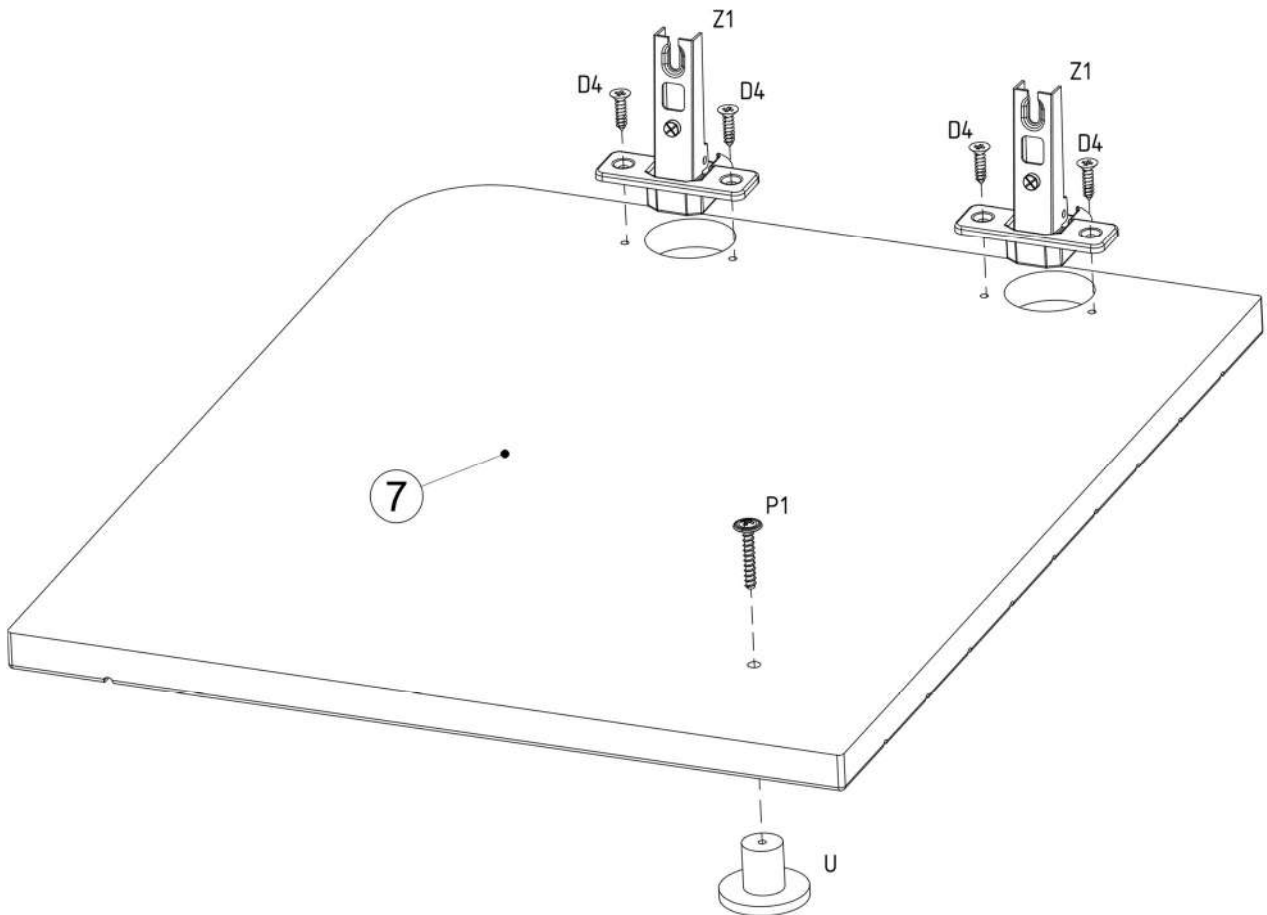
10

U  x1	D4  4x16 x4	Z1  x2
P1  4x25 x1		

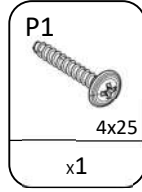
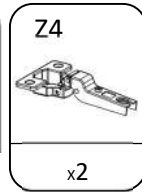
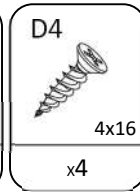
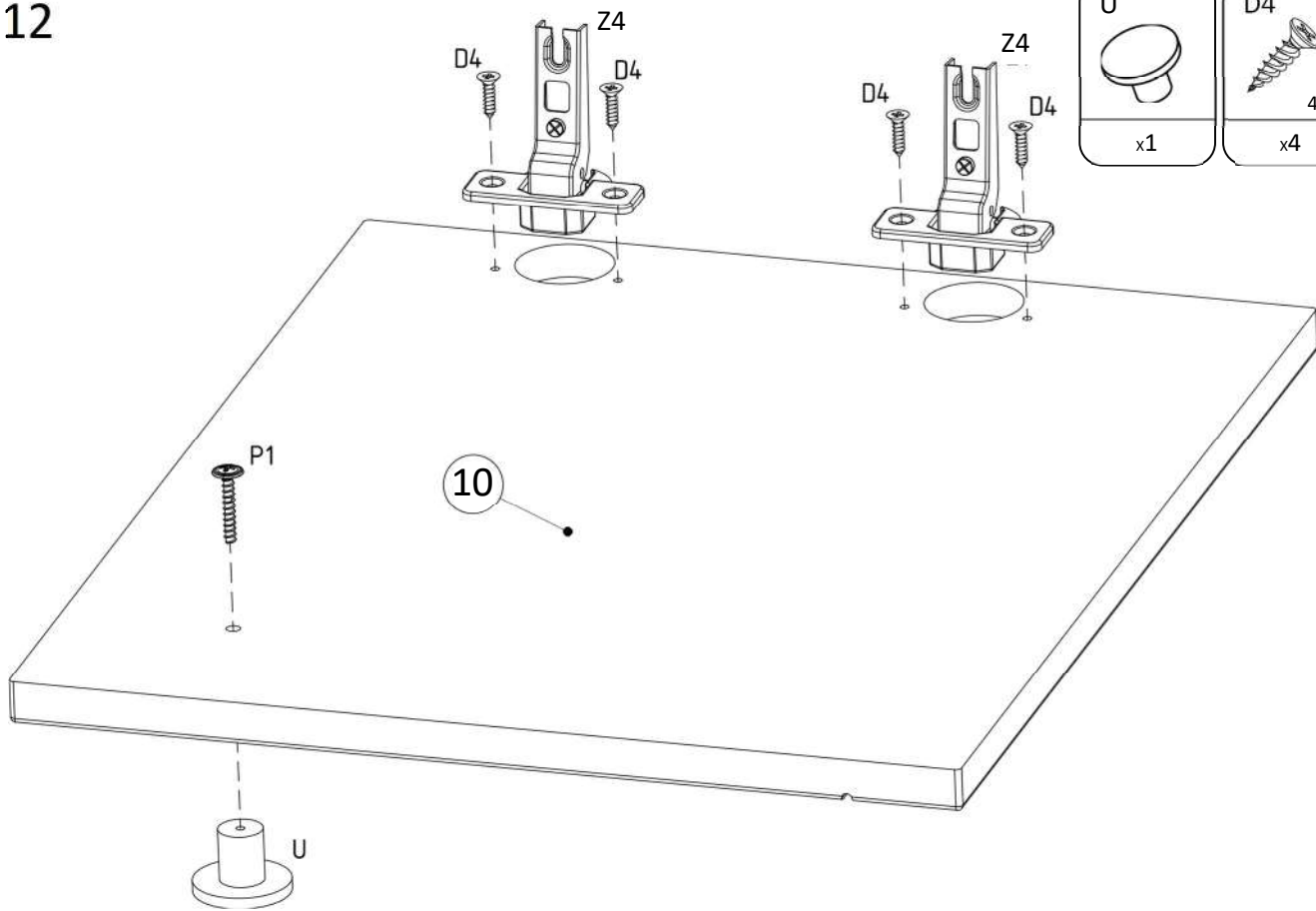


11

U  x1	D4  4x16 x4	Z1  x2
P1  4x25 x1		



12



13

