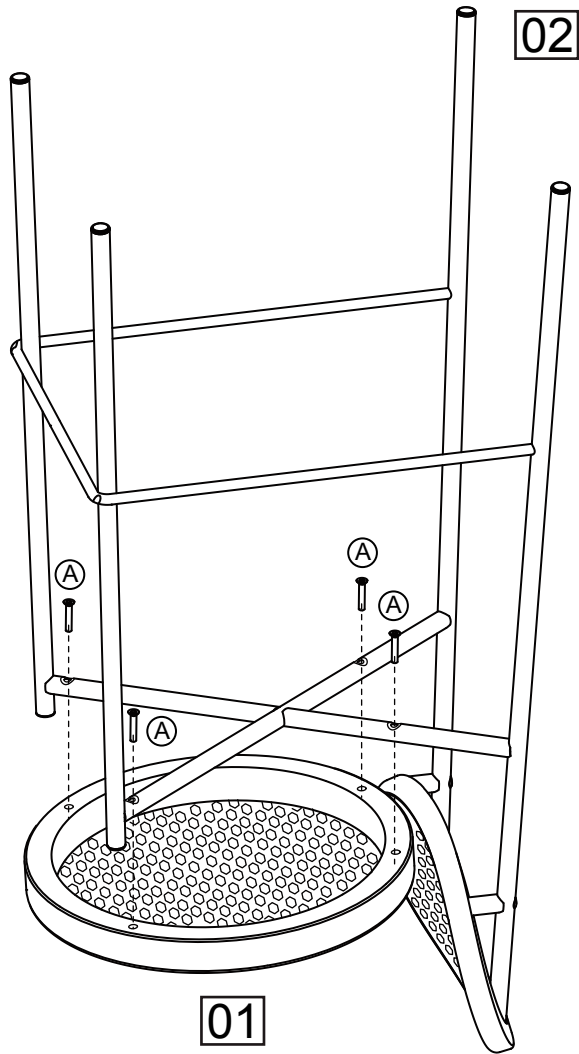


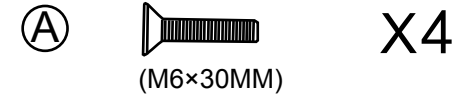
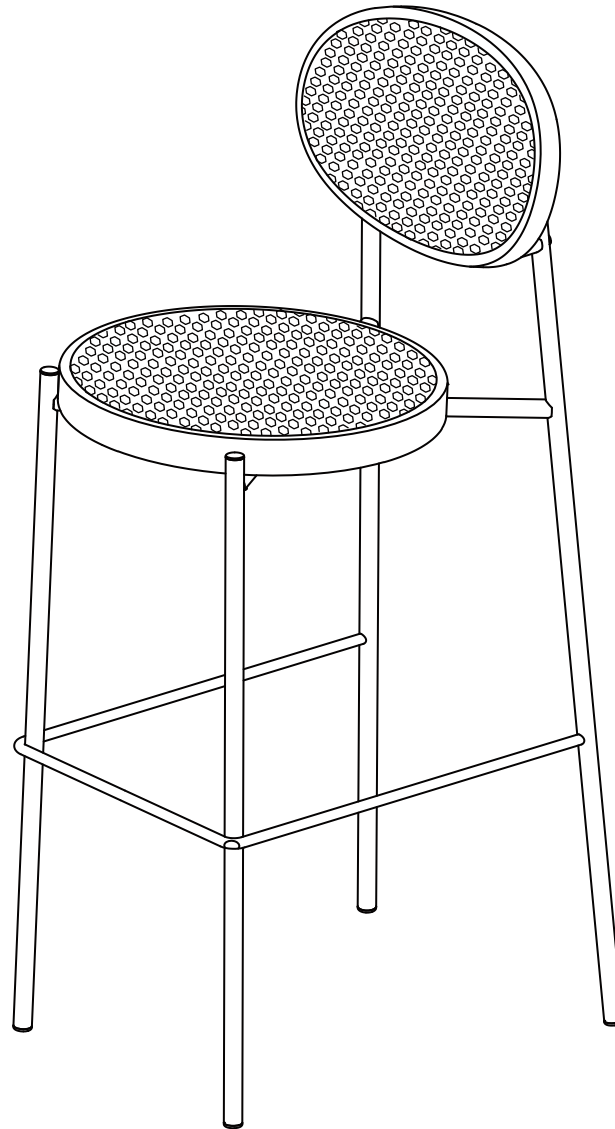
COMPONENT PARTS

FITTINGS

Step1



Step2



COMPONENT CHECKLIST

PART	No.	Qty.	
Seat	01	1	<input type="checkbox"/>
Foot	02	1	<input type="checkbox"/>

TOOLS REQUIRED



Allen key (supplied)