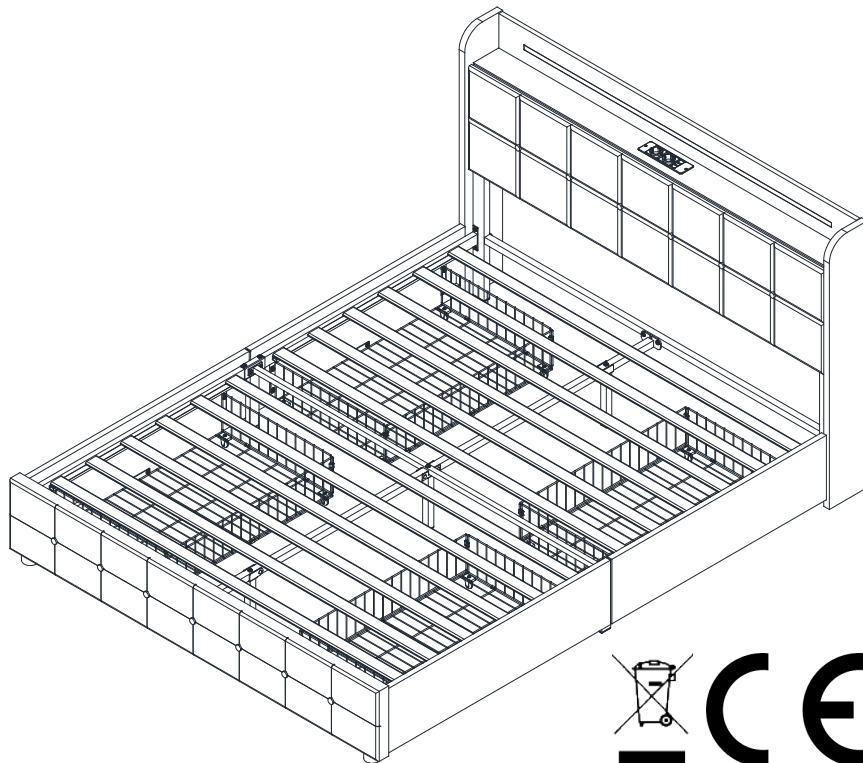


# MONTAGEANLEITUNG

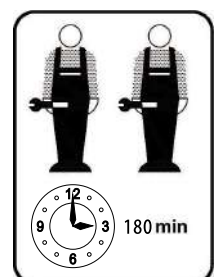
Artikelnummer: WF308075/WF308076

Dieses Set ist in 2 Boxen enthalten. Wenn Sie keine vollen 2 Boxen erhalten, wenden Sie sich bitte an unseren Kundenservice

## Bett 200x180cm



- |                                    |                                      |
|------------------------------------|--------------------------------------|
| <b>D</b> Gebrauchsanweisung        | <b>GB</b> Instructions for use       |
| <b>NL</b> Gebruiksrichtlijnen      | <b>FR</b> Instructions d'utilisation |
| <b>IT</b> Istruzioni per l'uso     | <b>PL</b> Instrukcja obsługi         |
| <b>CZ</b> Pokyny k použití         | <b>ES</b> Instrucciones de empleo    |
| <b>HU</b> Használati útmutató      | <b>RO</b> Instrucțiuni de folosire   |
| <b>PT</b> Instruções de utilização | <b>RU</b> Инструкция по монтажу      |
| <b>SK</b> Pokyny k použitiu        | <b>TR</b> Kullanım talimatları       |



## English

### IMPORTANT ! KEEP FOR FUTURE REFERENCE : READ CAREFULLY

- To be assembled by an adult. Assembly must be checked by an adult before use
- WARNING ! Keep all screws, small parts and plastic bags out of the reach of children
- Properly identify all parts before assembling
- Never use your item if any of its parts are broken or missing
- Should any problems arise, please contact our After Sales Service
- Manufacturer's instructions shall be followed at all times
- Care: Clean with a soft, dry cloth. In case of larger stains, carefully rub with a slightly damp, non-abrasive sponge
- Avoid the risk of fire by not placing furniture near sources of ignition or hot items
- Do not jump on the bed

## Deutsch

### WICHTIG ! ZUM SPÄTEREN NACHSCHLAGEN AUFBEWAHREN: SORGFÄLTIG LESEN

- Muss von einem Erwachsenen zusammengebaut werden. Der Zusammenbau muss vor dem Gebrauch von einem Erwachsenen überprüft werden
- WARNUNG! Bewahren Sie alle Schrauben, Kleinteile und Plastikbeutel außerhalb der Reichweite von Kindern auf
- Kennzeichnen Sie vor dem Zusammenbau alle Teile richtig
- Benutzen Sie Ihren Artikel niemals, wenn Teile gebrochen sind oder fehlen
- Sollten Probleme auftreten, wenden Sie sich bitte an unseren Kundendienst
- Die Anweisungen des Herstellers sind stets zu befolgen
- Pflege: Mit einem weichen, trockenen Tuch reinigen. Bei größeren Flecken vorsichtig mit einem leicht feuchten, nicht scheuernden Schwamm abreiben. nicht scheuernden Schwamm
- Vermeiden Sie die Gefahr eines Brandes, indem Sie die Möbel nicht in der Nähe von Zündquellen oder heißen Gegenständen aufstellen
- Nicht auf das Bett springen

## Français

### IMPORTANT ! CONSERVER POUR RÉFÉRENCE ULTÉRIEURE : LIRE ATTENTIVEMENT

- Le montage doit être effectué par un adulte. Le montage doit être vérifié par un adulte avant Utilisation
- ATTENTION ! Tenir les vis, les petites pièces et les sachets en plastique hors de portée des enfants
- Identifiez correctement toutes les pièces avant de les assembler
- N'utilisez jamais votre article si l'une de ses pièces est cassée ou manquante
- En cas de problème, veuillez contacter notre service après-vente
- Les instructions du fabricant doivent être respectées à tout moment
- Entretien : nettoyer avec un chiffon doux et sec. En cas de taches plus importantes, frotter soigneusement avec une éponge non abrasive légèrement humide. légèrement humide et non Abrasive
- Évitez les risques d'incendie en ne plaçant pas les meubles à proximité de sources d'inflammation ou d'objets chauds
- Ne pas sauter sur le lit

## Italiano

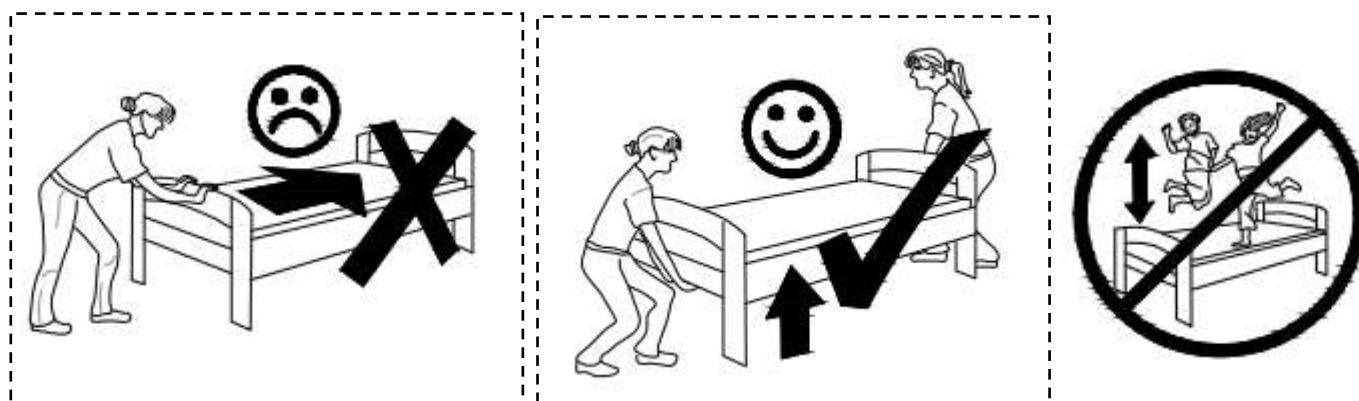
### IMPORTANTE! CONSERVARE PER RIFERIMENTO FUTURO: LEGGERE ATTENTAMENTE

- Deve essere assemblato da un adulto. L'assemblaggio deve essere controllato da un adulto prima dell'uso
- **ATTENZIONE!** Tenere tutte le viti, le piccole parti e i sacchetti di plastica fuori dalla portata dei bambini
- Identificare correttamente tutte le parti prima dell'assemblaggio
- Non utilizzare mai l'articolo se alcune parti sono rotte o mancanti
- In caso di problemi, si prega di contattare il nostro Servizio Post Vendita
- Le istruzioni del produttore devono essere sempre seguite
- Cura: Pulire con un panno morbido e asciutto. In caso di macchie più estese, strofinare accuratamente con una spugna leggermente umida e nonspugna leggermente umida e non abrasiva
- Evitare il rischio di incendio, non collocando i mobili vicino a fonti di accensione o a oggetti caldi
- Non saltare sul letto

## Español

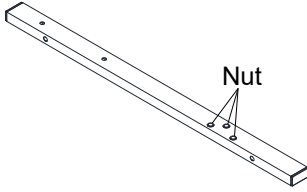
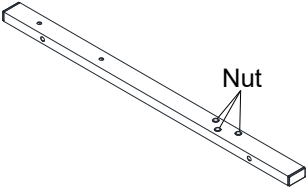
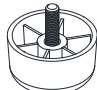
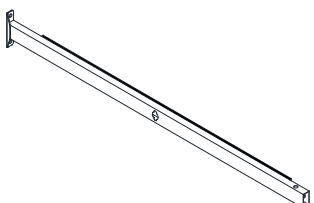
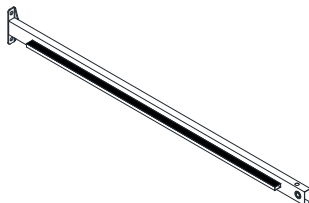
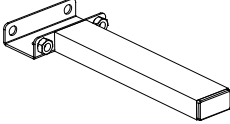
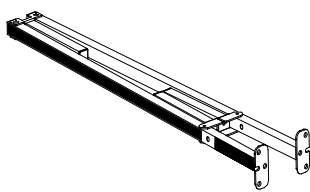
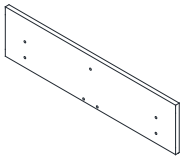
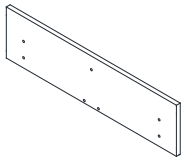
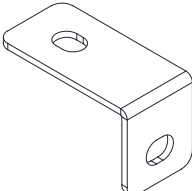
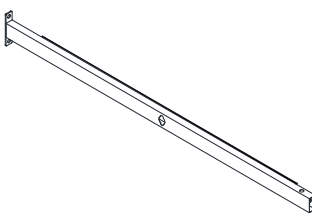
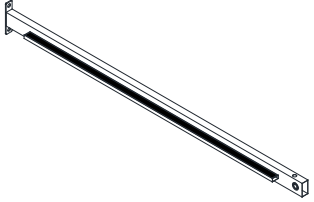
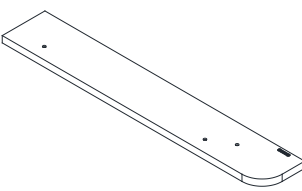
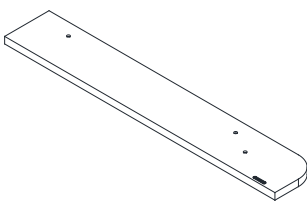
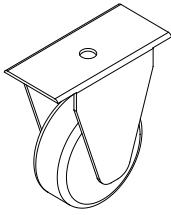
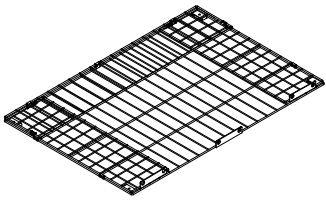
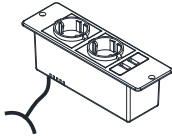
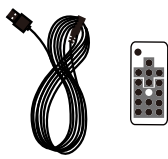
### ¡ IMPORTANTE ! CONSERVELO PARA FUTURAS CONSULTAS: LEA ATENTAMENTE

- Debe ser montado por un adulto. El montaje debe ser comprobado por un adulto antes del uso
- ADVERTENCIA Mantenga todos los tornillos, piezas pequeñas y bolsas de plástico fuera del alcance de los niños.
- Identifique correctamente todas las piezas antes de montarlas
  - Nunca utilice su artículo si alguna de sus piezas está rota o falta
  - Si surge algún problema, póngase en contacto con nuestro Servicio Postventa
  - Las instrucciones del fabricante deben seguirse en todo momento
  - Cuidado: Limpiar con un paño suave y seco. En caso de manchas más grandes, frote cuidadosamente con una esponja no abrasiva ligeramente humedecida.
  - Evite el riesgo de incendio no colocando los muebles cerca de fuentes de ignición u objetos calientes.
  - No saltar sobre la cama.

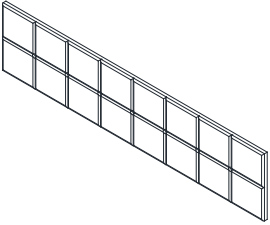
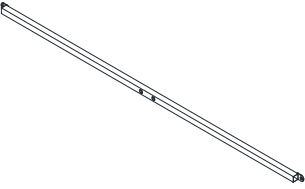
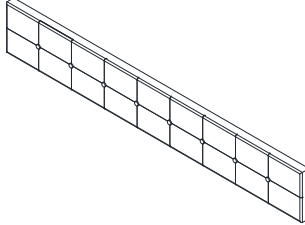
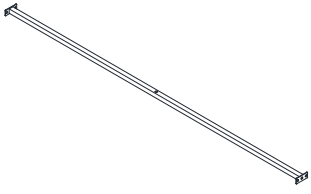
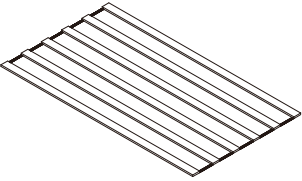
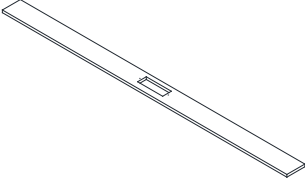
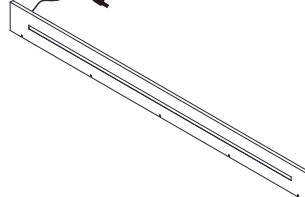





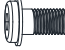



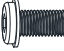
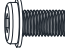




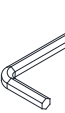

# Part List WF308076

<p>① X1</p>  <p>Nut</p>	<p>② X1</p>  <p>Nut</p>	<p>⑥ X2</p> 	<p>⑦ X1</p> 
<p>⑧ X1</p> 	<p>⑨ X2</p> 	<p>⑩ X1</p> 	<p>⑬ X2</p> 
<p>⑭ X2</p> 	<p>⑮ X6</p> 	<p>⑯ X1</p> 	<p>⑰ X1</p> 
<p>⑱ X1</p> 	<p>⑳ X1</p> 	<p>Ⓥ X16</p> 	<p>Ⓩ X4</p> 
<p>Ⓚ x1</p> 	<p>Ⓦ x1</p> 		

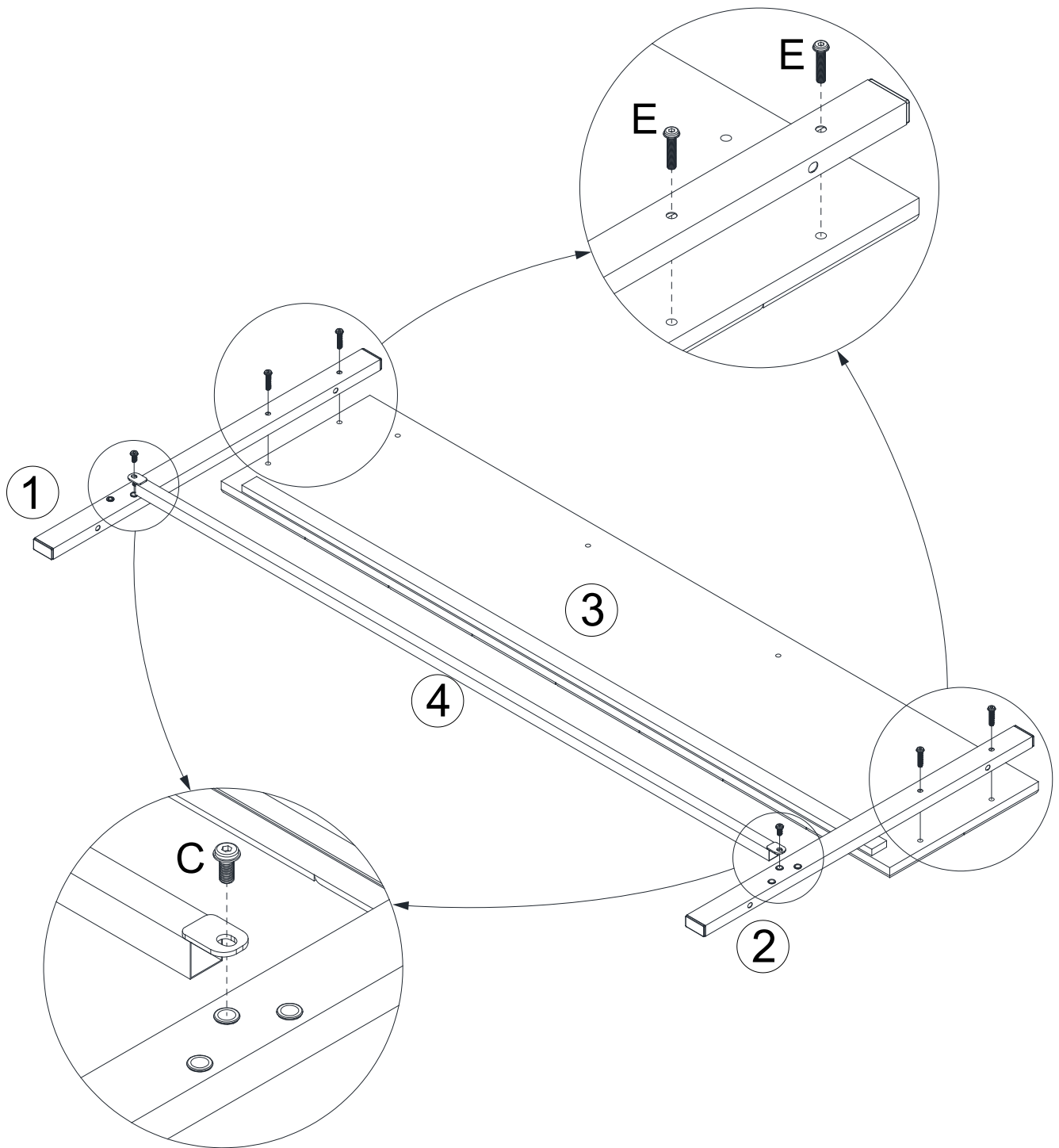
# Part List WF308075

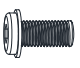

<p>③ X1</p> 	<p>④ X1</p> 	<p>⑤ X1</p> 	<p>⑪ X1</p> 
<p>⑫ X2</p> 	<p>⑱ X1</p> 	<p>⑳ X1</p> 	

# Hardware List WF308076

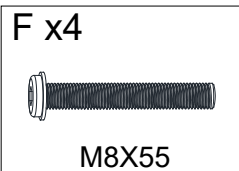
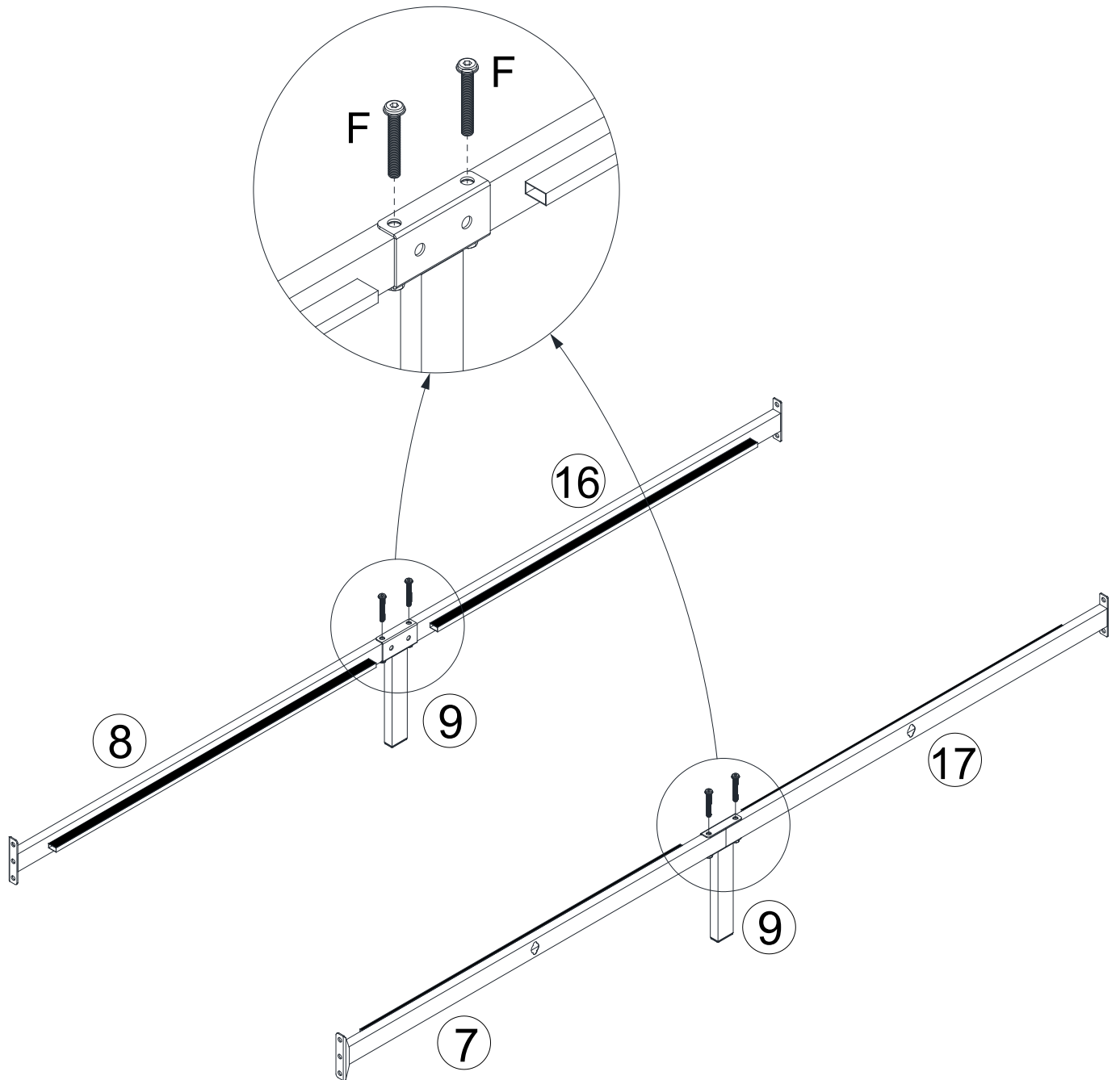
<p>A x12      White Zinc</p>  <p>M8X14</p>	<p>B x4      Color Zinc</p>  <p>M8X18</p>	<p>C x38</p>  <p>M8X18</p>	<p>D x4</p>  <p>M8X30</p>	<p>E x6</p>  <p>M8X38</p>
<p>F x5</p>  <p>M8X55</p>	<p>G x4</p>  <p>M8X65</p>	<p>H x2</p>  <p>ST4.2X12</p>	<p>I x5</p>  <p>M5X35</p>	<p>J x16</p>  <p>M4X10</p>
<p>K x1</p>  <p>M4</p>	<p>L x1</p>  <p>M5</p>	<p>M x1</p>  <p>M8</p>		

# Step 1

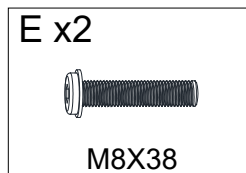
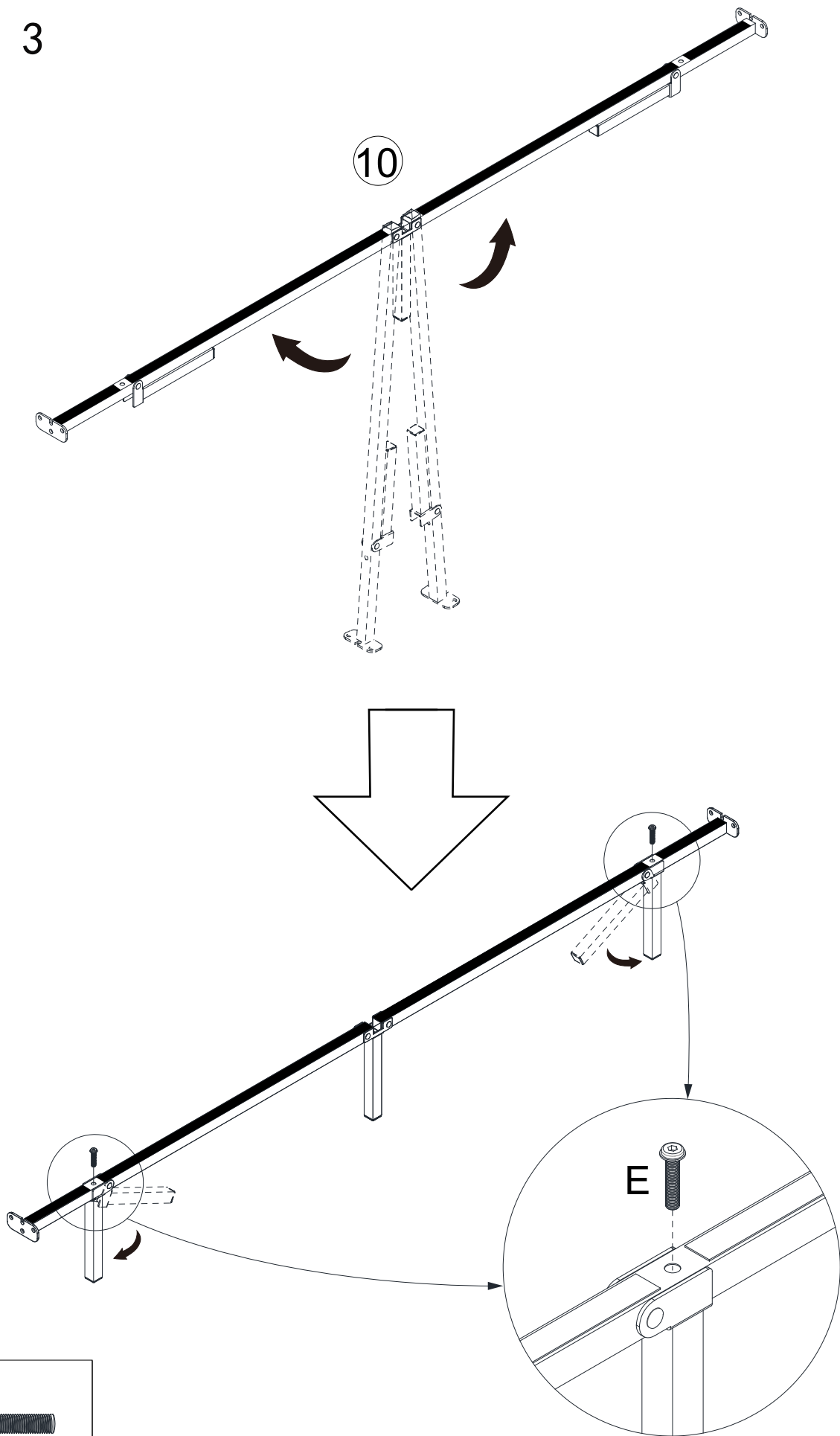


<b>C x2</b>	<b>E x4</b>
	
<b>M8X18</b>	<b>M8X38</b>

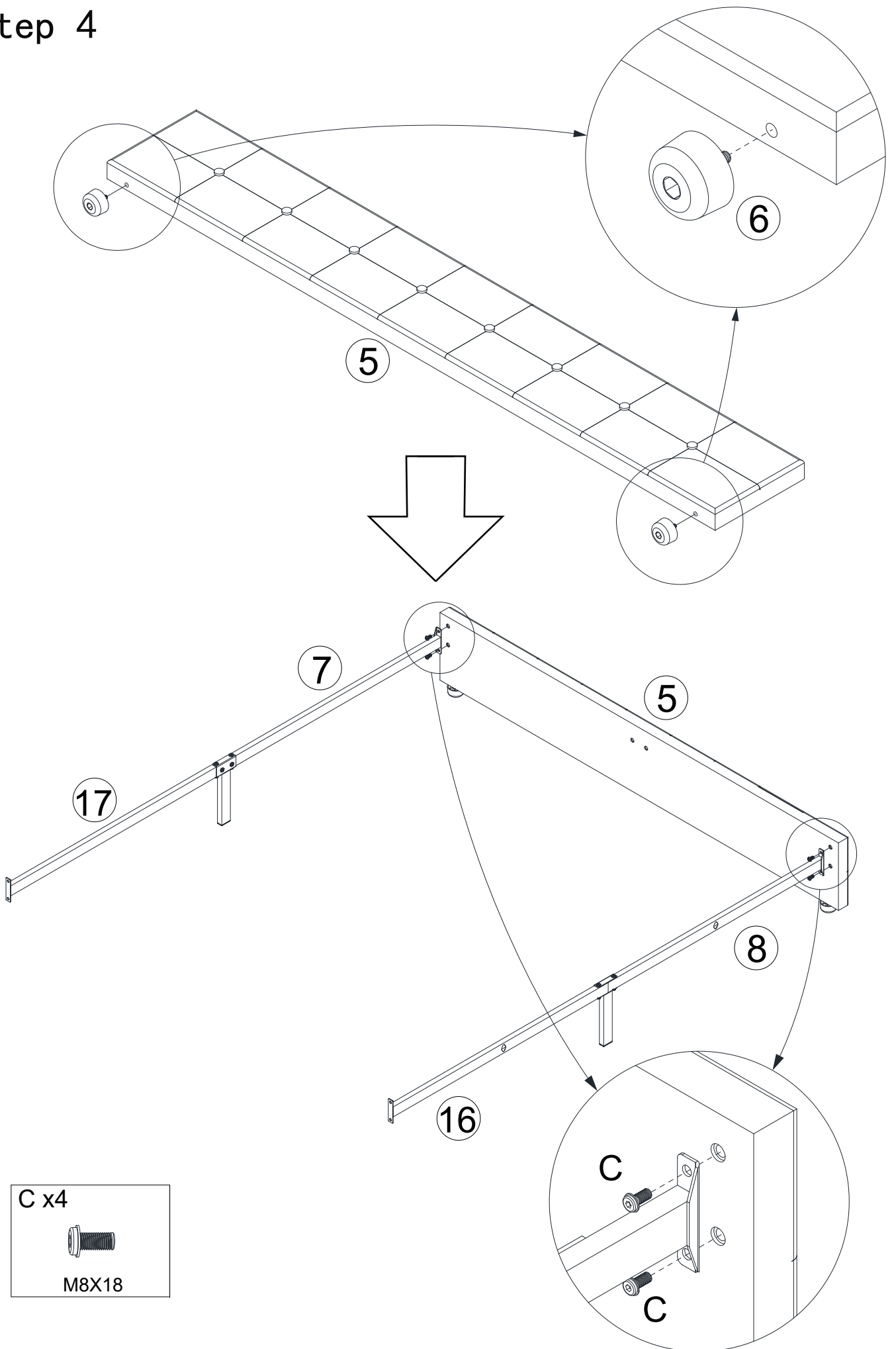
# Step 2



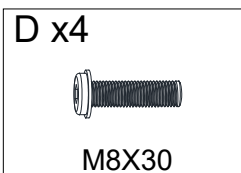
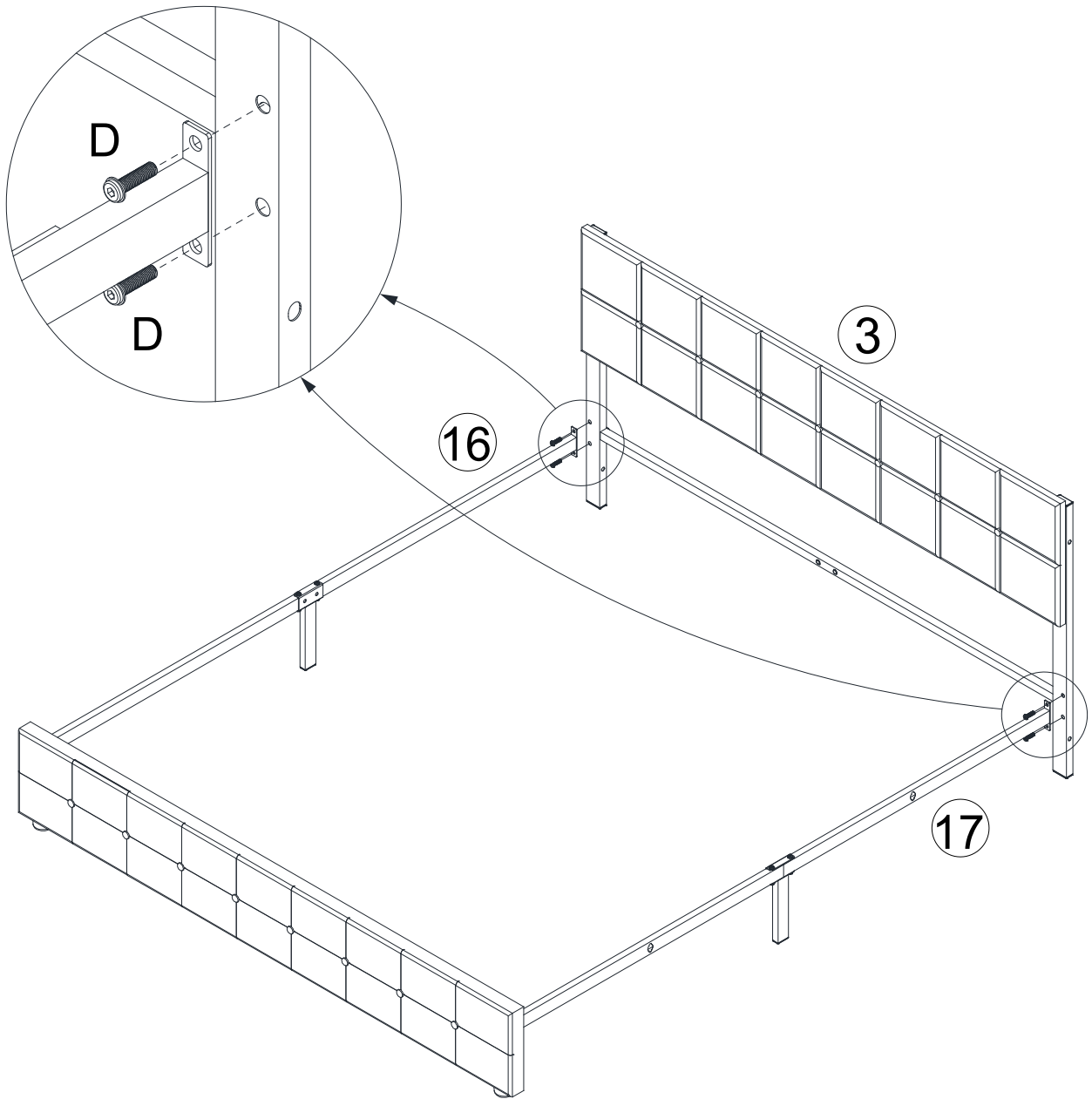
# Step 3



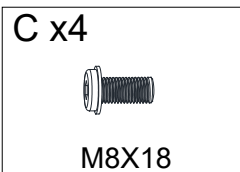
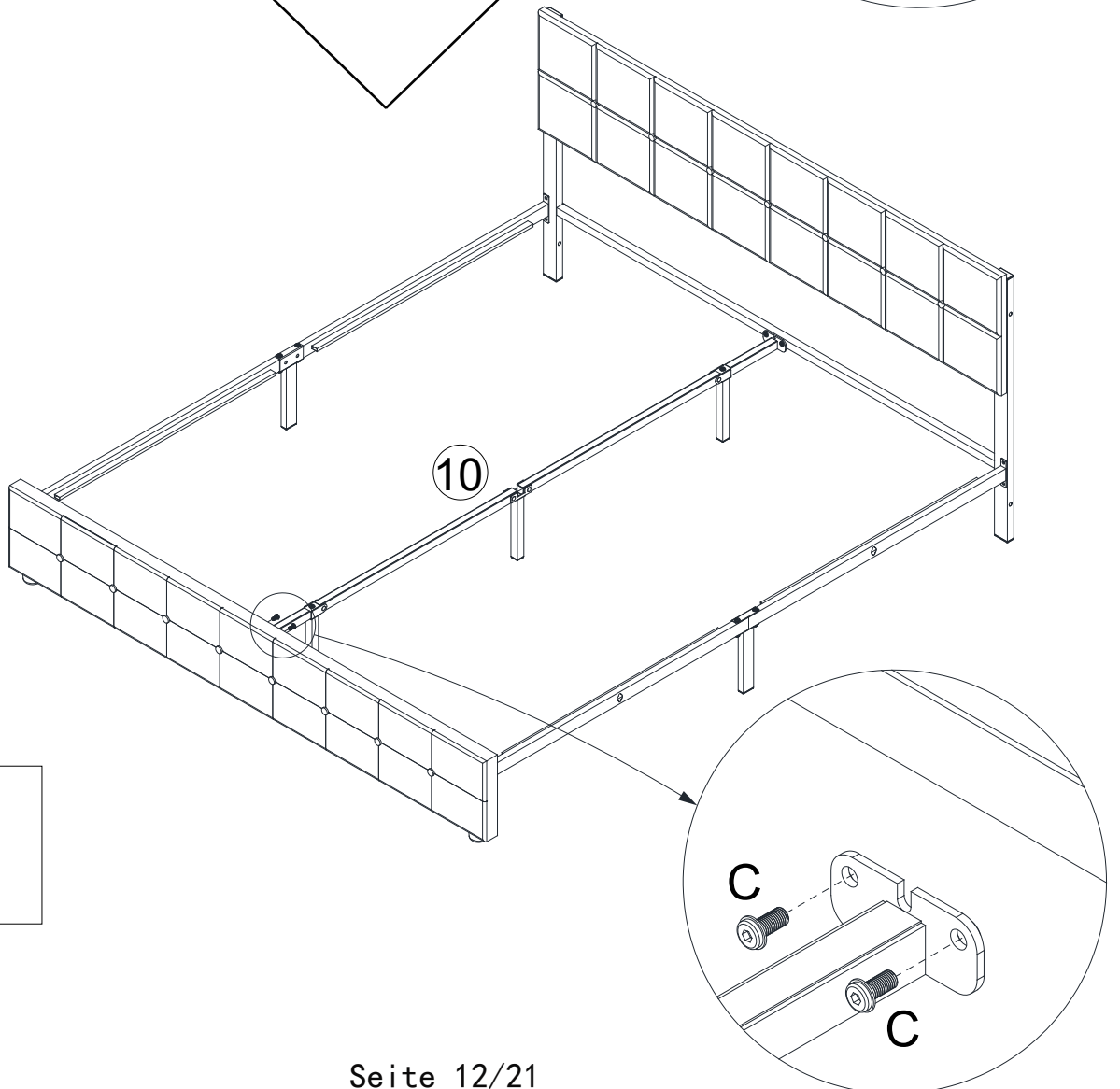
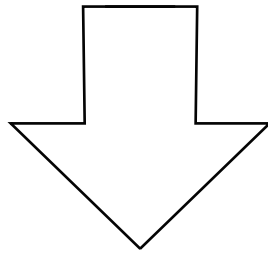
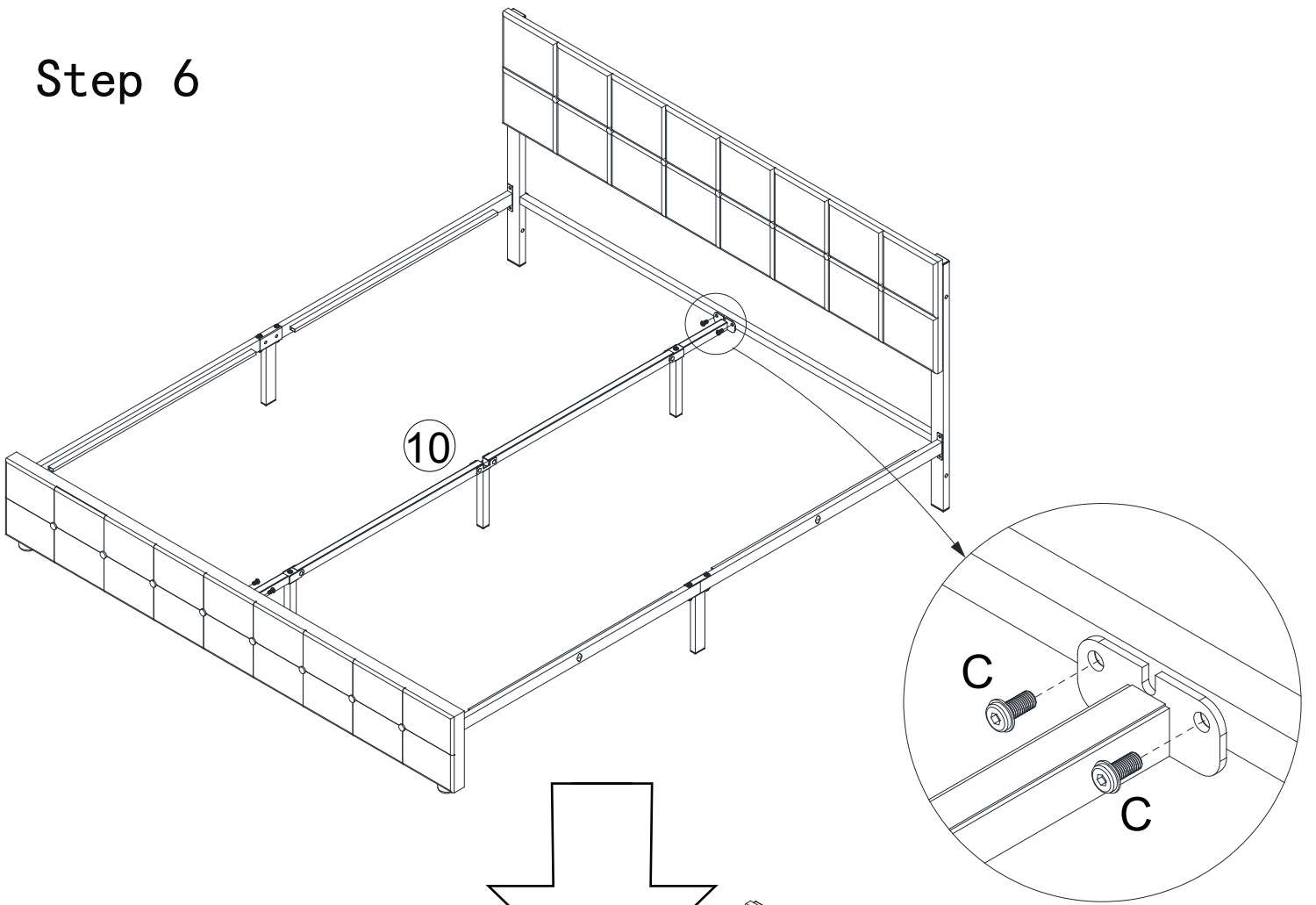
# Step 4



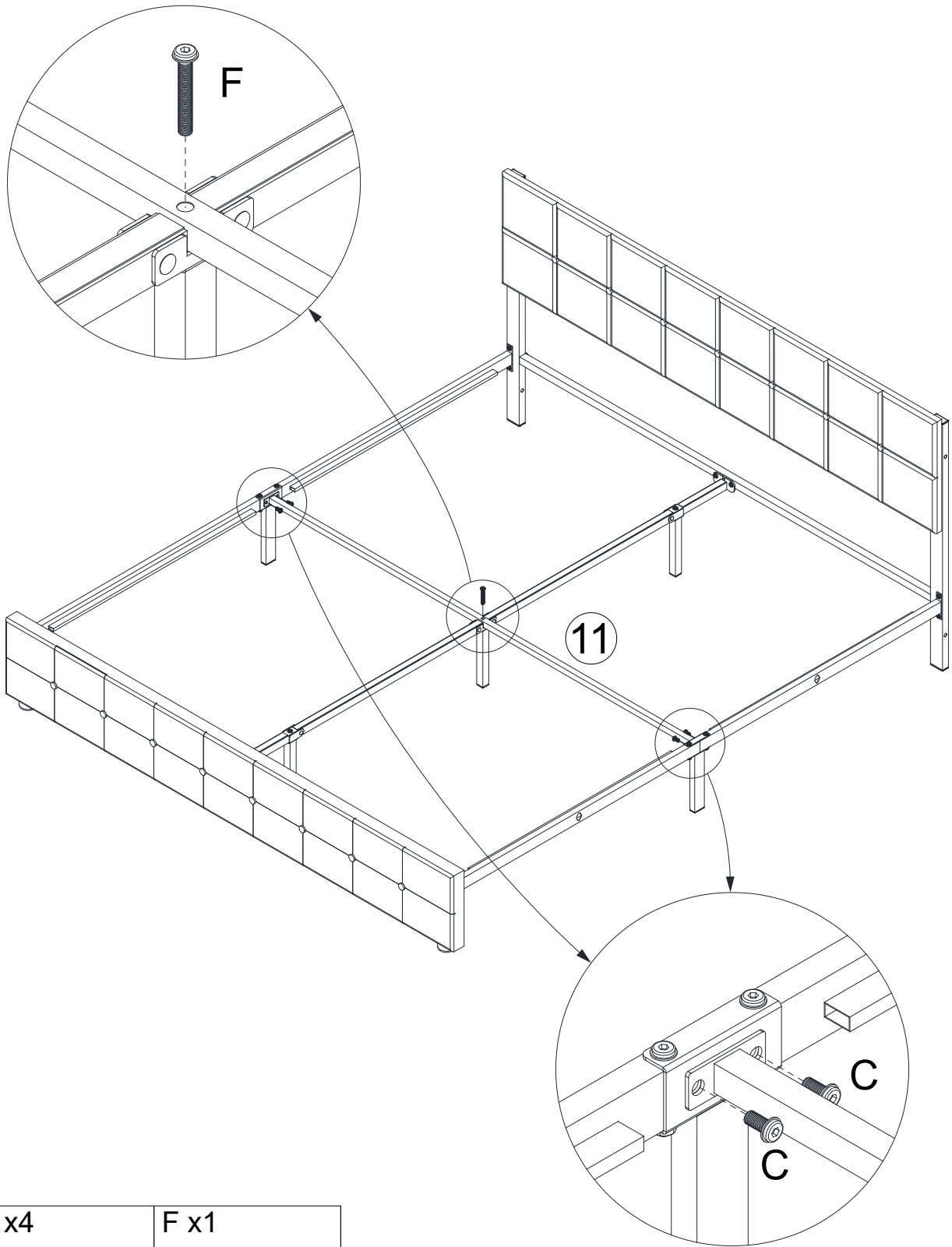
# Step 5





# Step 6

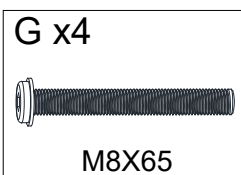
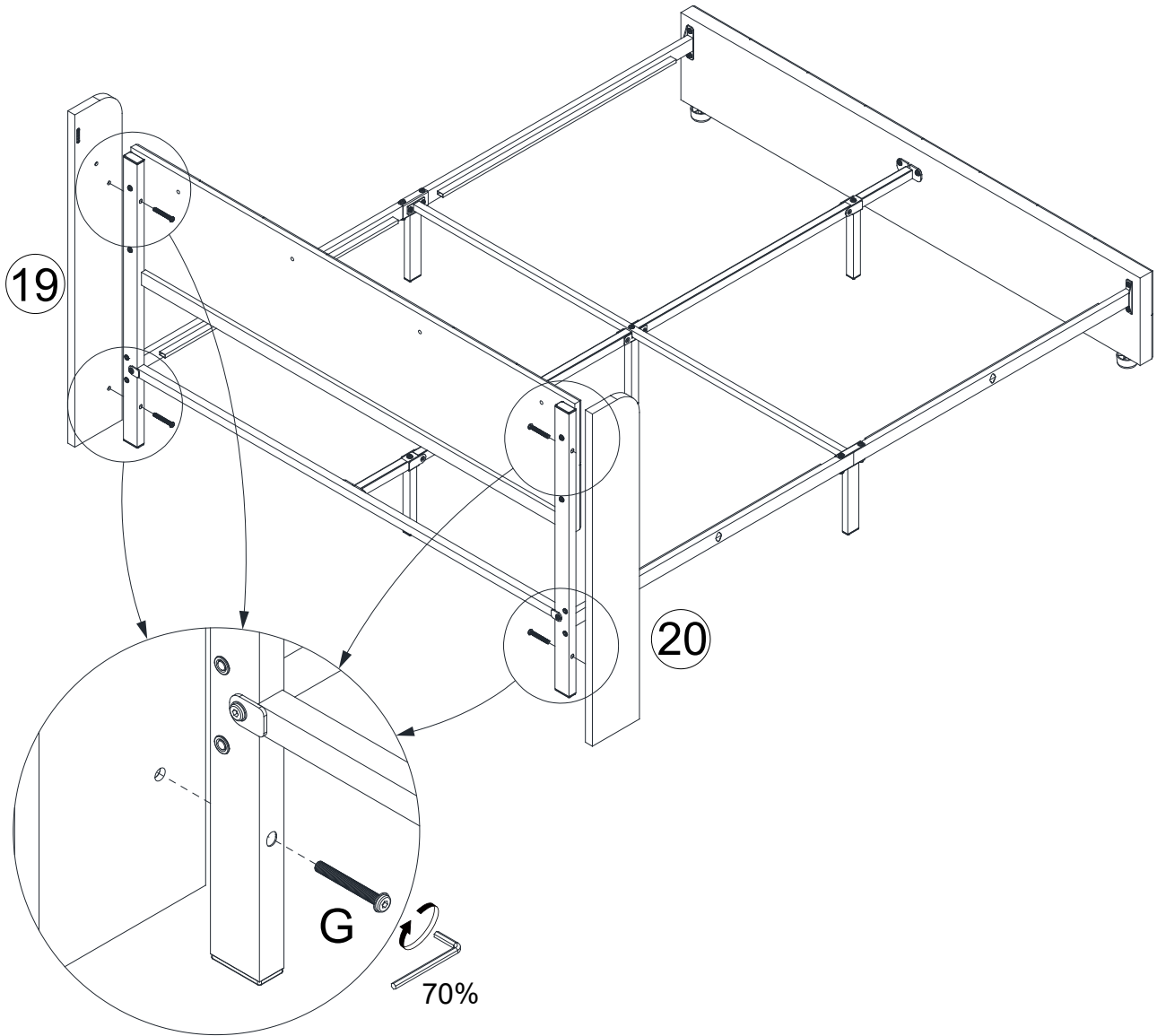


# Step 7

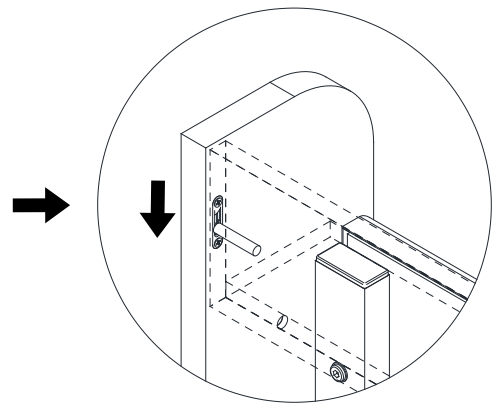
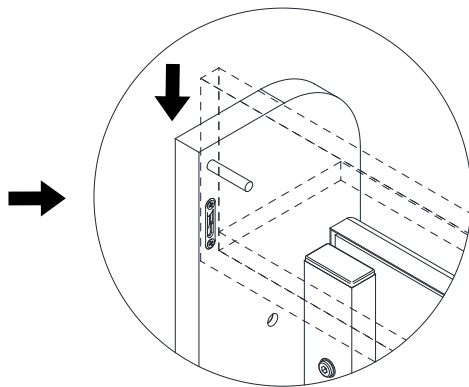
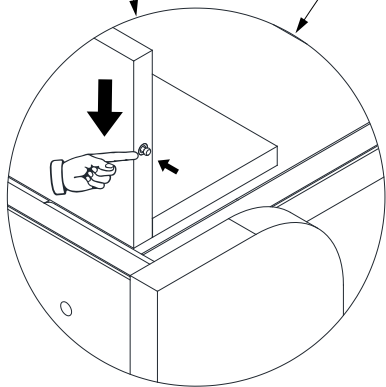
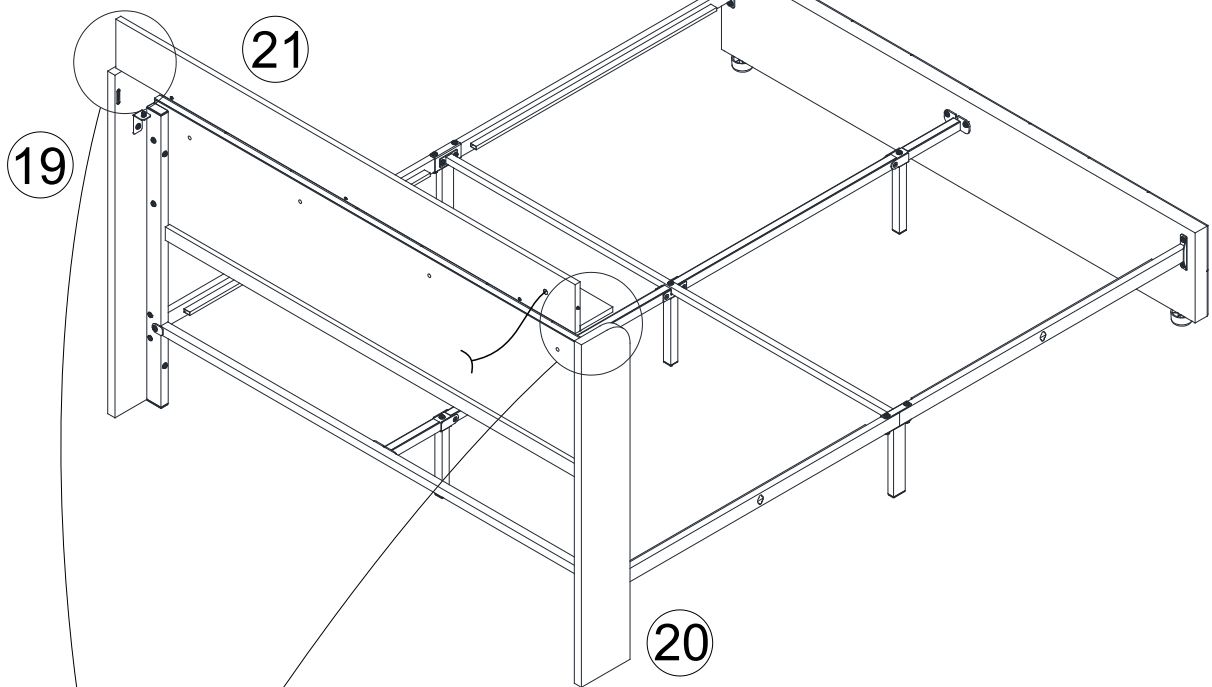
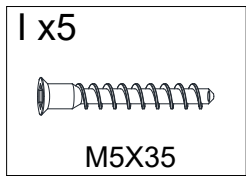
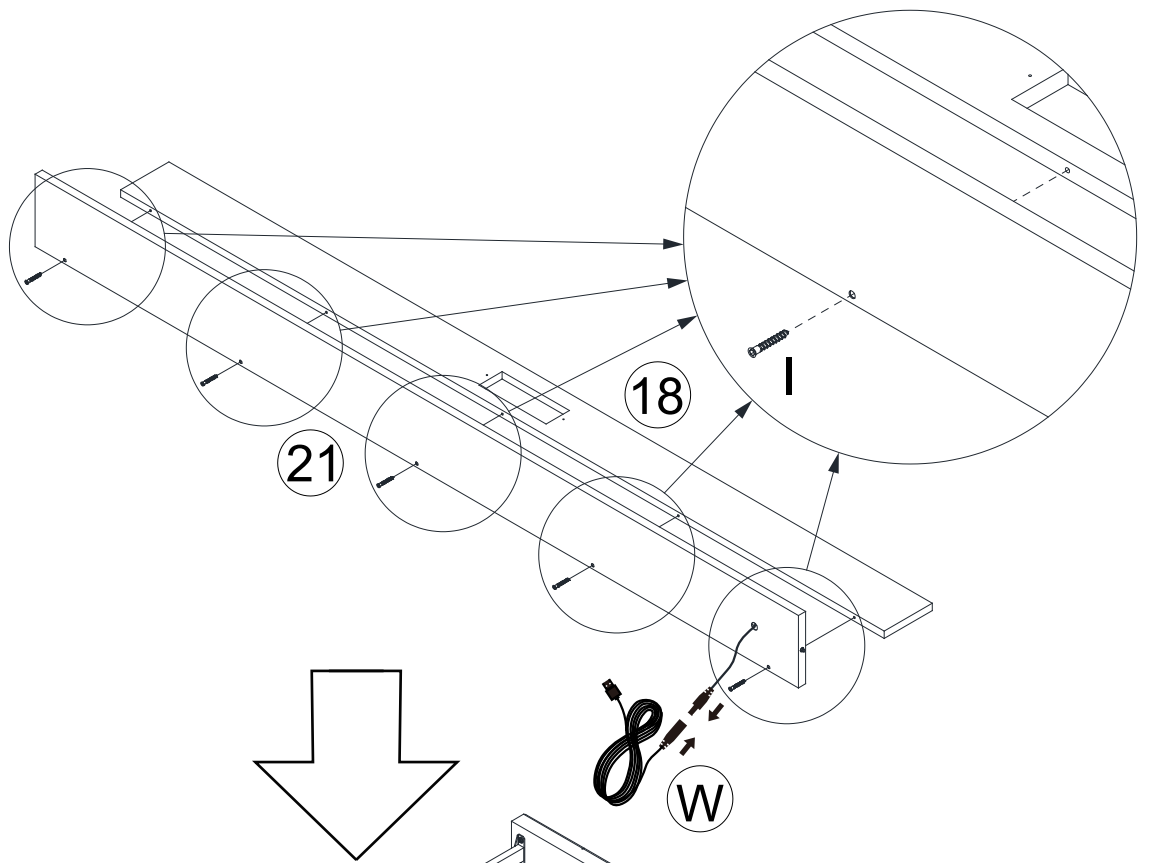


C x4	F x1
	
M8X18	M8X55

# Step 8



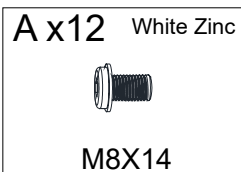
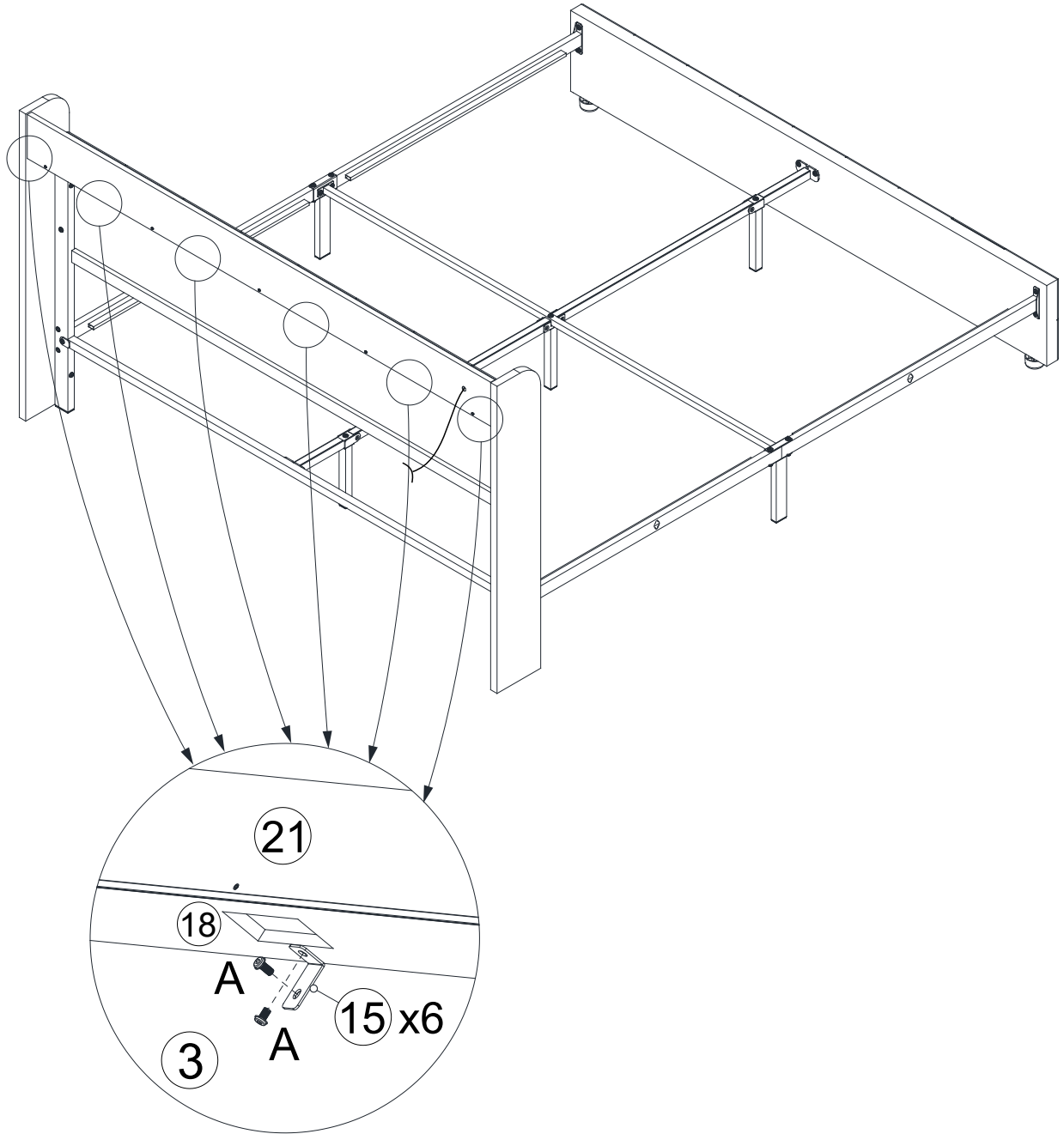
# Step 9



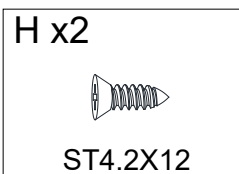
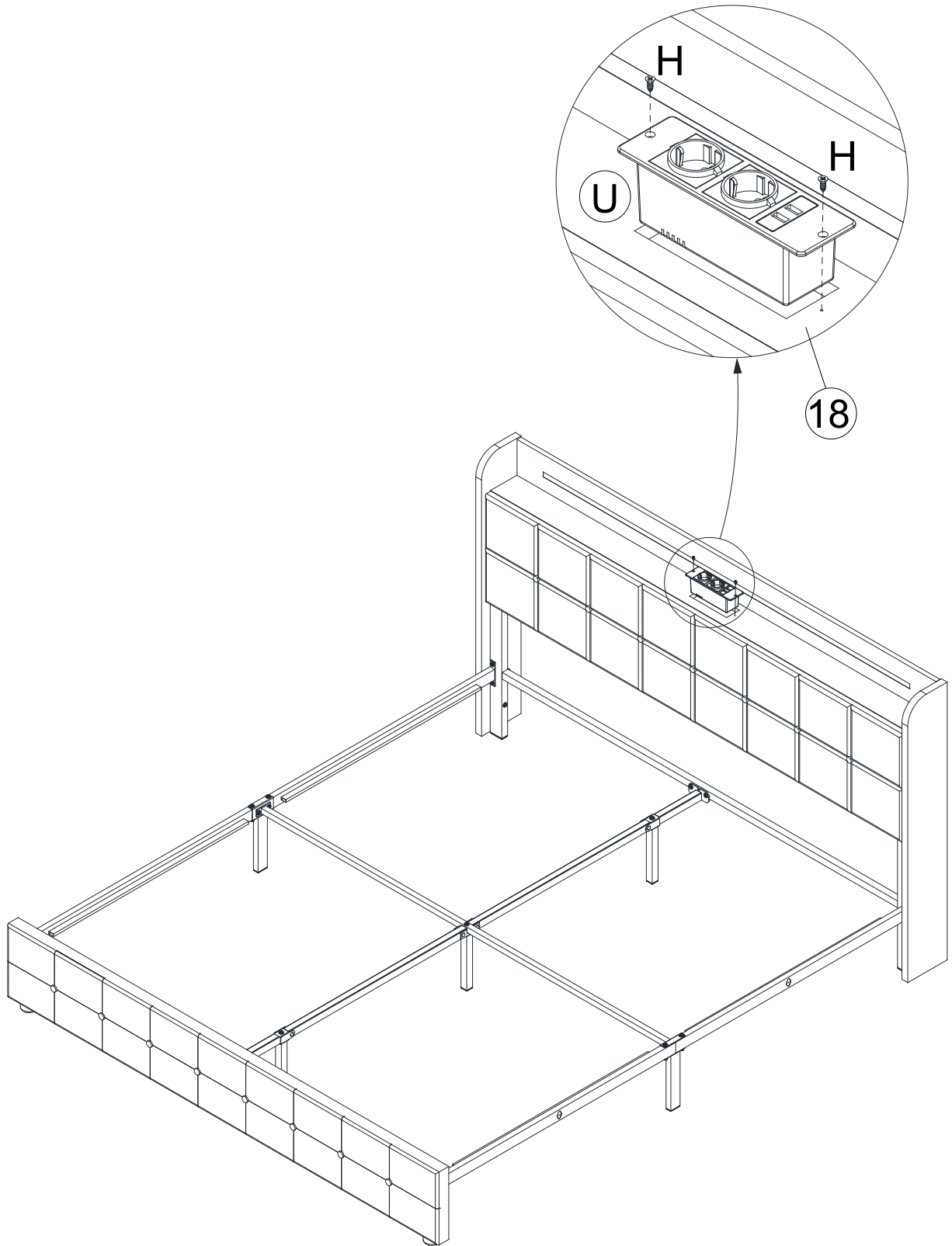
1. Drücken Sie Den Beschlag Wie Abgebildet
2. Setzen Sie Es In Die Teile 19 Und 20 Ein
3. Ziehen Sie Die Schrauben In Schritt 8 Fest

1. Press the fitting as picture shown
2. Insert it into Parts 19 and 20
3. Tighten the screws in Step 8

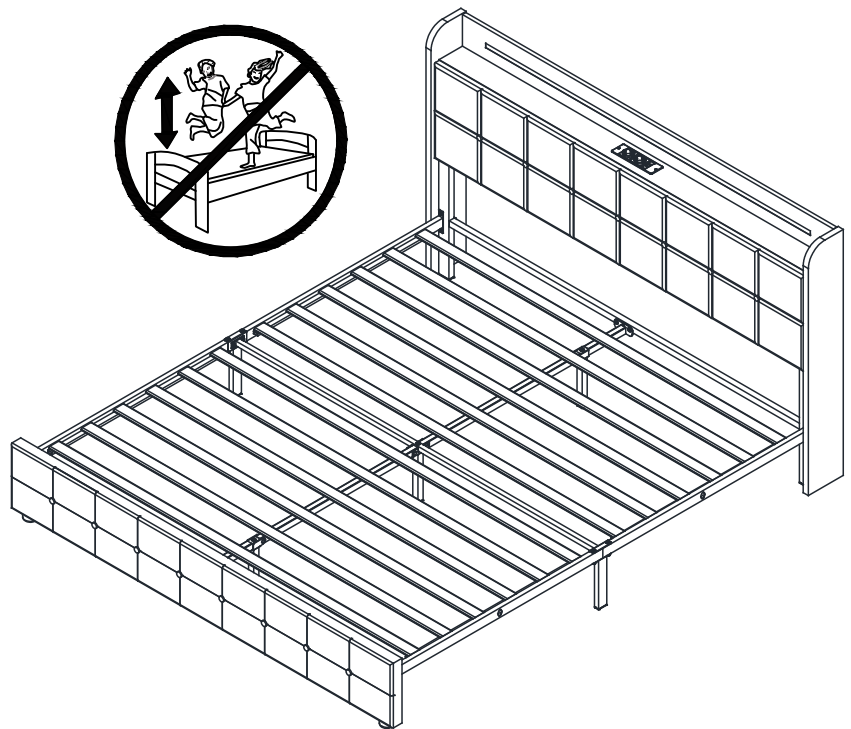
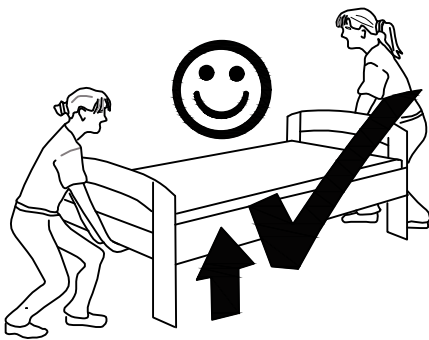
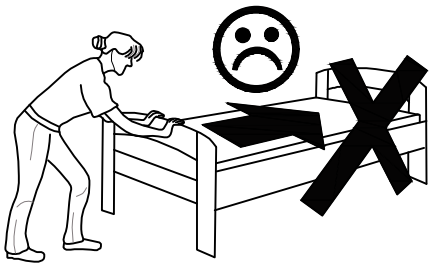
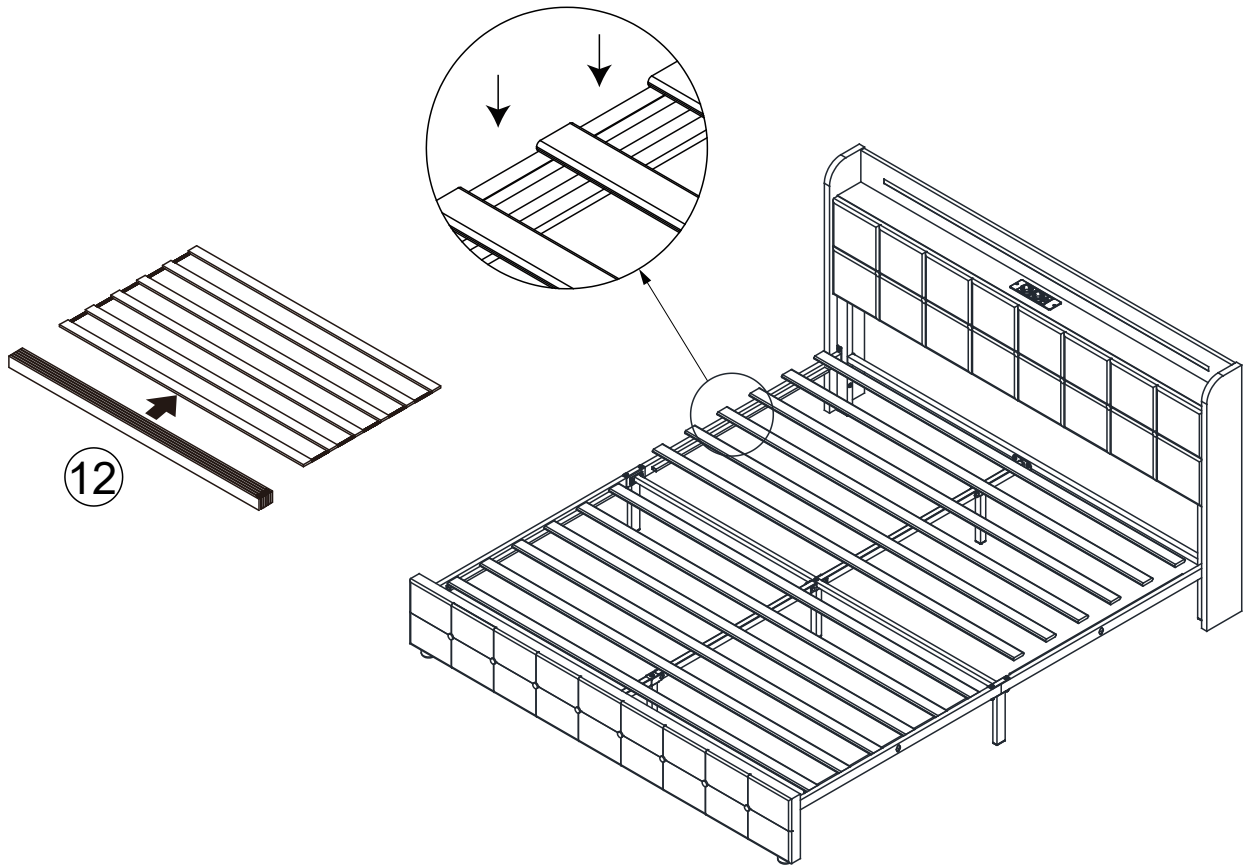
# Step 10



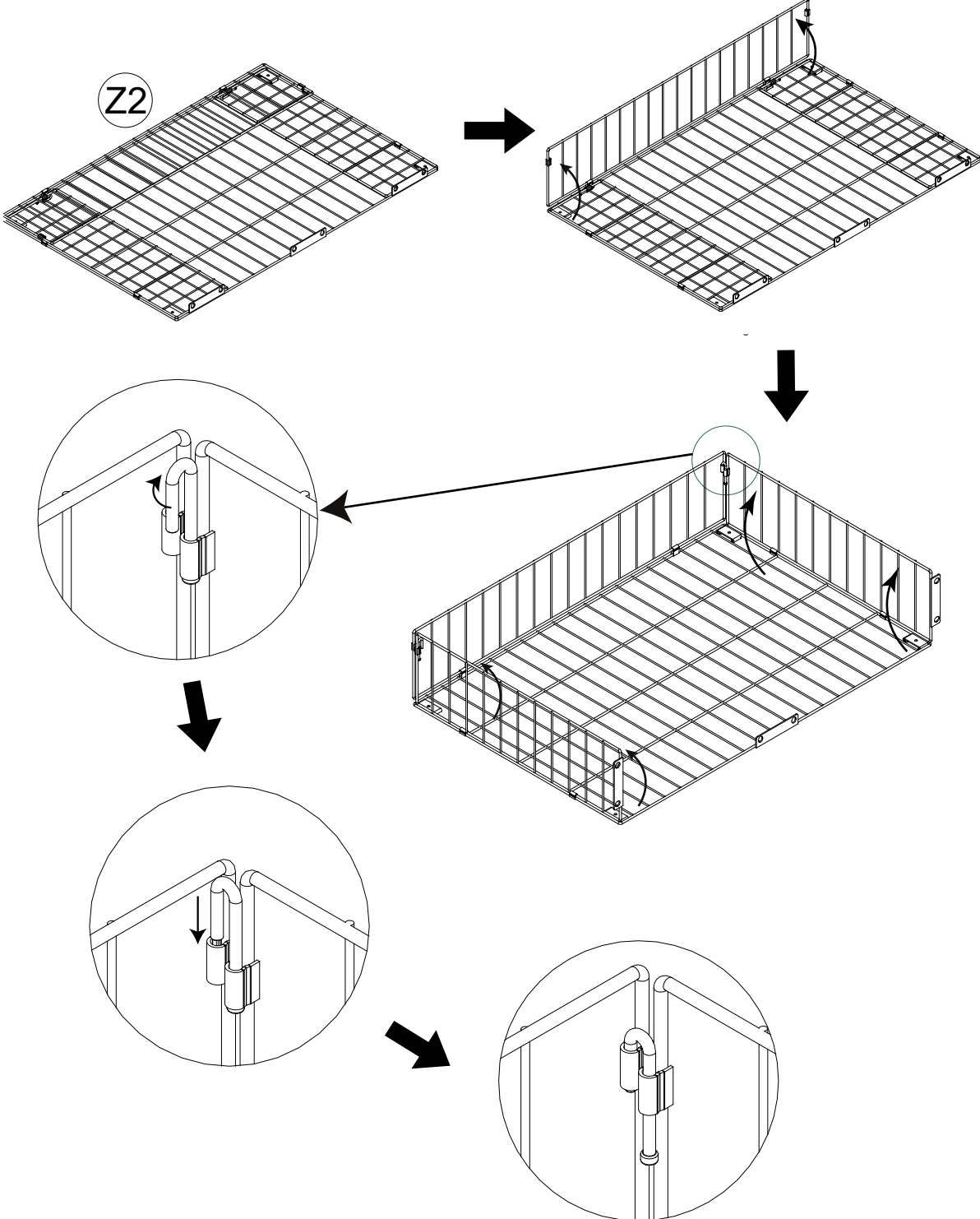
# Step 11



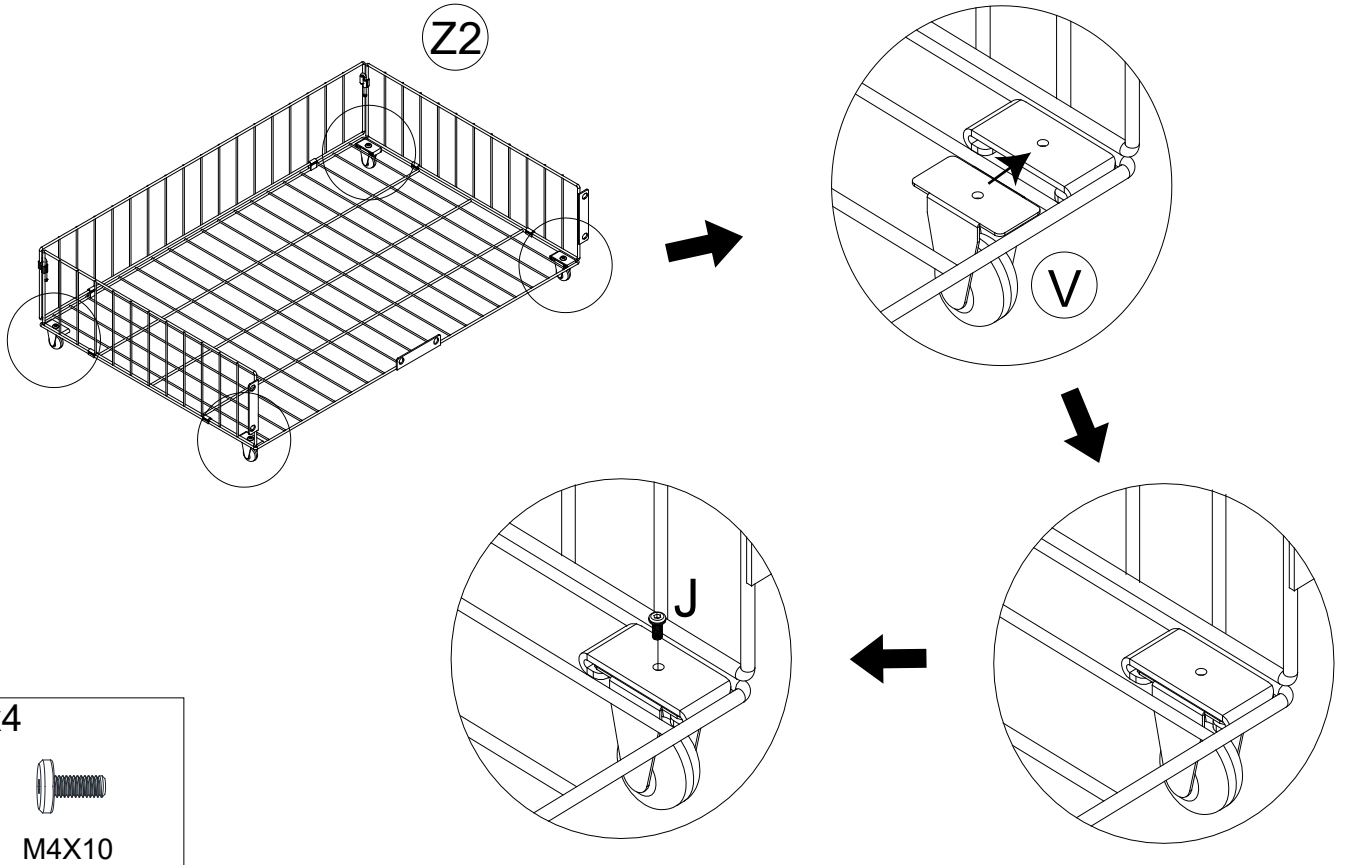
# Step 12



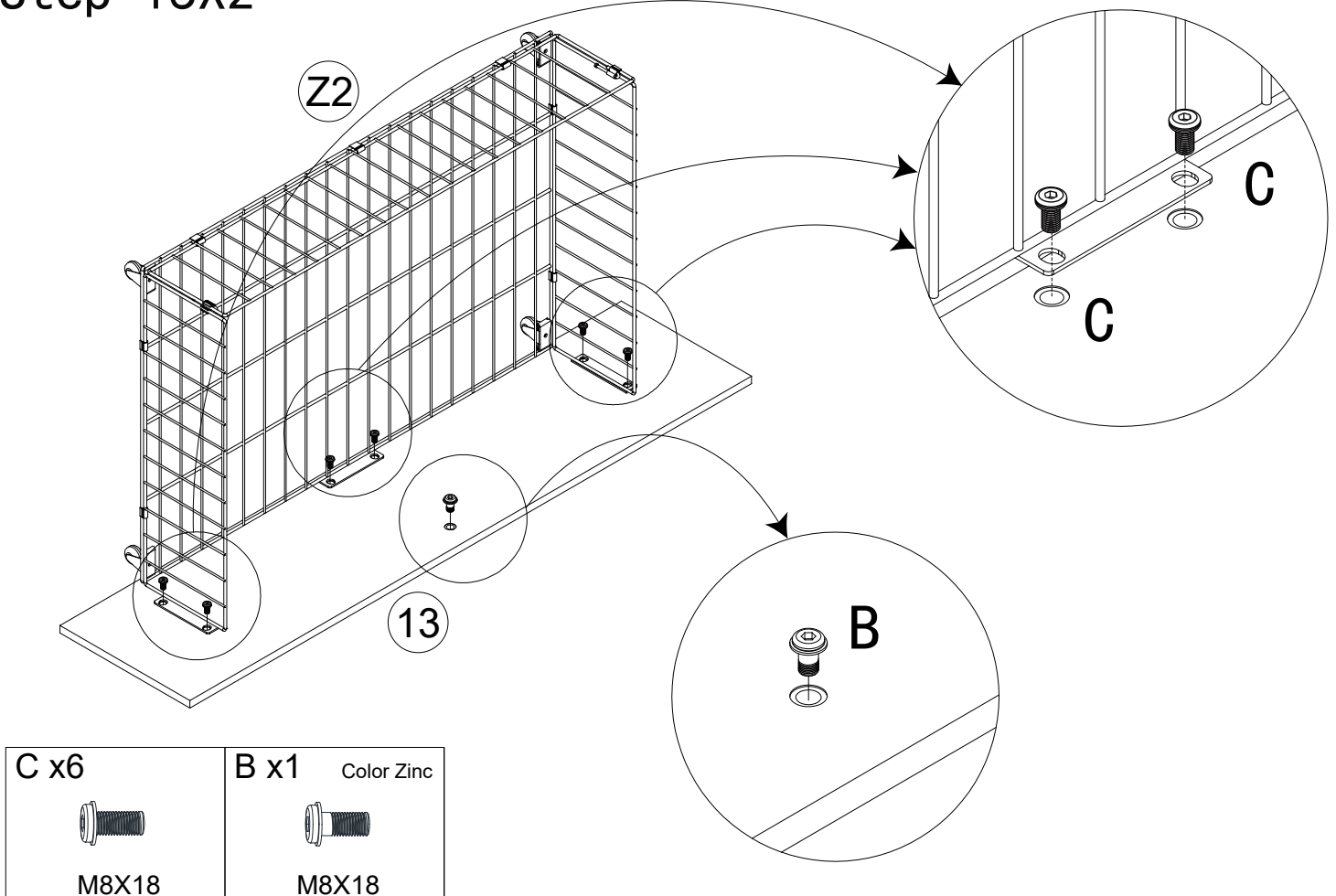
# Step 13X4



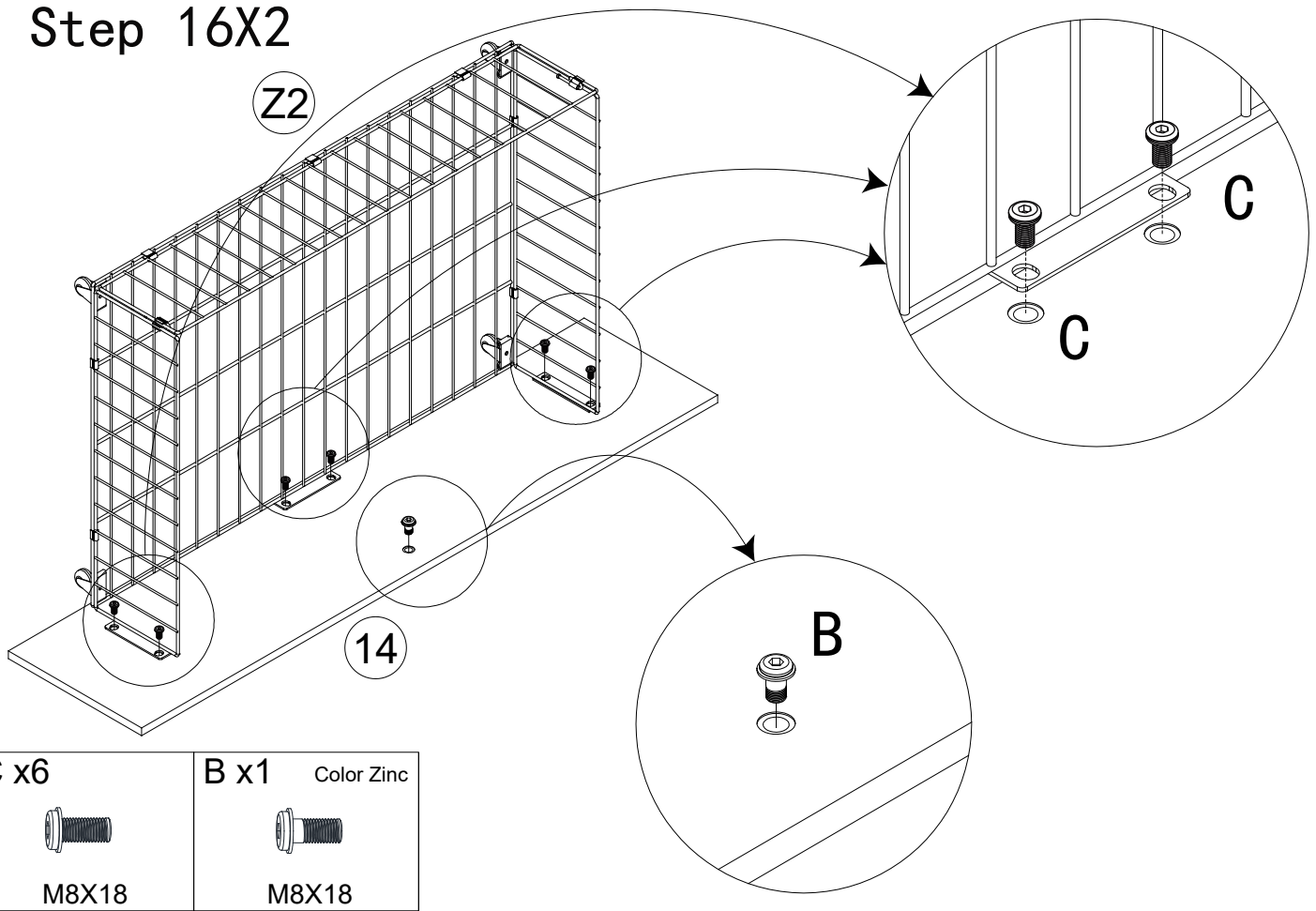
# Step 14X4



# Step 15X2

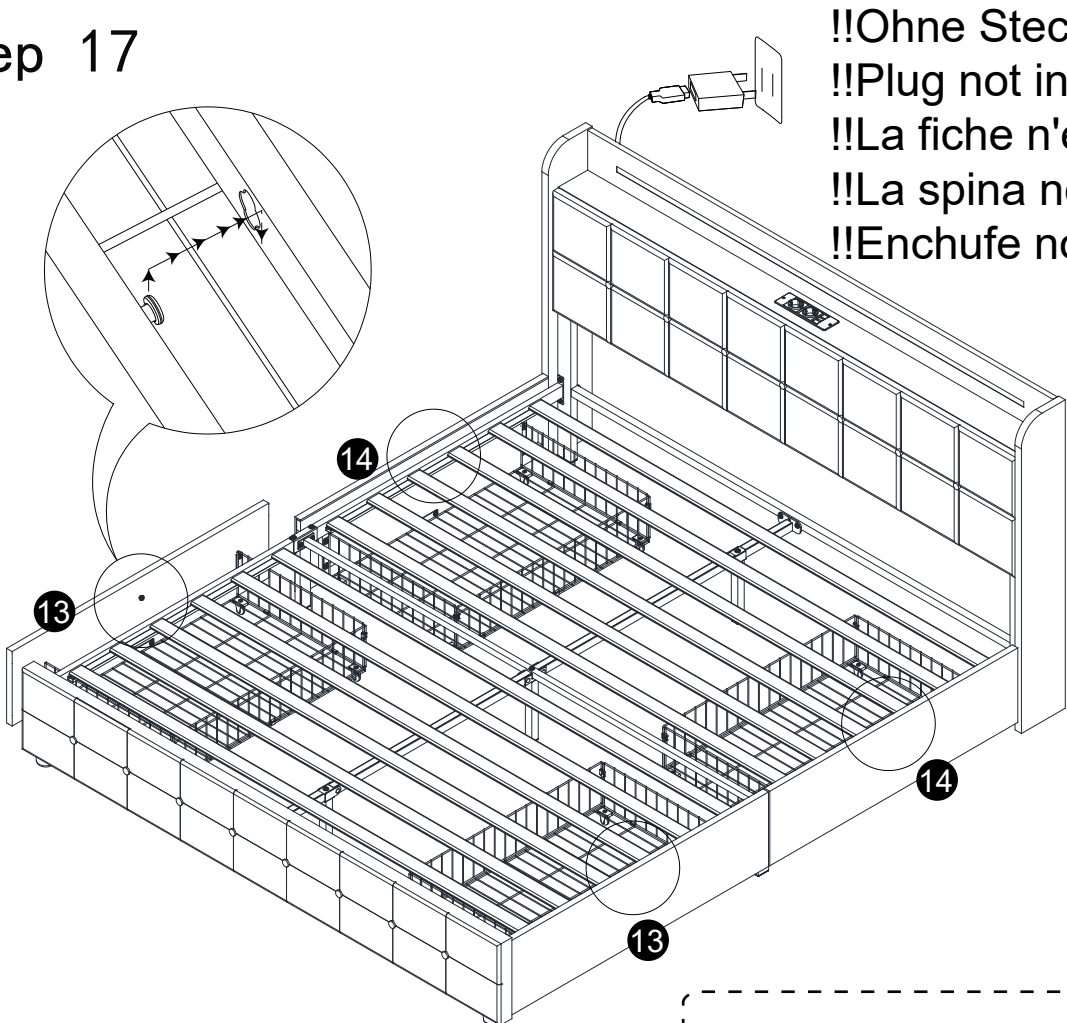


# Step 16X2

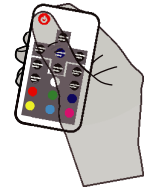


<b>C x6</b>	<b>B x1</b> Color Zinc
	
M8X18	M8X18

# Step 17



!!Ohne Stecker  
 !!Plug not included  
 !!La fiche n'est pas incluse  
 !!La spina non è inclusa  
 !!Enchufe no incluido



Installation Complete

- GB** – NOTE: The battery in the remote control requires you to purchase and install it yourself.  
Model: CR2025 3.V
- DE** – HINWEIS: Die Batterie in der Fernbedienung müssen Sie selbst kaufen und installieren  
Modell: CR2025 3.V
- FR** – REMARQUE : la pile de la télécommande doit être achetée et installée par vos soins.  
Modèle : CR2025 3.V
- IT** – NOTA: la batteria del telecomando deve essere acquistata e installata autonomamente.  
Modello: CR2025 3.V
- ES** – NOTA: La pila del mando a distancia debe comprarla e instalarla usted mismo  
Modelo CR2025 3.V



Modell : CR2025 3.V



## CERTIFICATE OF CONFORMITY

No.: PTC23042802201S-LD01

**Applicant** : Dongguan STTEAM Technology Co.,Ltd  
**Address** : No.605, Diwang Square, Chang'an Town, Dongguan City,China  
**Manufacturer** : Xiamen JH Smart Furniture Technology Co.,Ltd  
**Address** : No.487-489,Wuxing Road,Xiang'an Distric,Xiamen,China.  
**Trade Mark** : N/A  
**Product** : RGB LED Controller  
**Rating** : DC5-12V, 1A; 3-12W; Class III;  
**Model No.** : ST011.ST-17KRF-USBCT-RGB-B150,Details see model list on page 2

The submitted sample of the above equipment has been tested and found to comply with the following European Directive:

**Low Voltage Directive - 2014/35/EU**

The standard(s) used for showing compliance with the essential requirements:

Applicable Standard(s)	Test Report(s) Number
EN 61347-1:2015 EN 61347-2-11:2001	PTC23042802201S-LD01

This certificate is part of the full test report(s) and should be read in conjunction with it. This certificate is based on an evaluation of one sample of above mentioned product. It does not imply assessment of the production of the product. Without the written approval of Precise Testing & Certification (Guangdong) Co.,Ltd., this certificate is not permitted to be reproduced, except in full. It is not permitted to use the test lab's logo. The CE marking may only be used if all the relevant and effective European Directives are applicable.



Jacky Ou  
Manager  
Date: May 15, 2023



## VERIFICATION OF CONFORMITY

No.: PTC23042802201S-LD01

**Covering type:**

ST011.ST-17KRF-USBCT-RGB-xxxx





SLG-CPC Testlaboratory Co., Ltd.

## VERIFICATION OF CONFORMITY

No.: 24050296C-C

This verification is issued for

**GUANG TAI ENTERPRISE CO., LTD**  
Rm 402, Bldg 4.No.2 Dapianmei Rd., Dapianmei Village, Dalingshan DONGGUAN, Guangdong  
Sheng CN

The product with designation of type

**Furniture Power Distribution Unit**

Trade Mark: /

**Model/s: JN02-00-21; JN00-00-04KM; JN00-00-02K; JN00-00-02KM; JN00-00-03KM; JN02-00-23K;  
JN00-00-04; JN02-00-23; JN02-00-22M; JN02-00-23M; JN00-00-04K; JN00-00-03K; JN02-00-23KM;  
JN02-00-22; JN02-00-24K; JN02-00-24; JN02-00-24M; JN02-00-24KM**

This is to declare that the technical file of the products complies the essential requirements of below  
European Directives:

**EMC Directive 2014/30/EU**

Reference standards:

**EN IEC 55014-1:2021**

**EN IEC 55014-2:2021**

**EN IEC 61000-3-2:2019+A1:2021**

**EN 61000-3-3:2013/A2:2021/AC:2022-01**

This verification is based on the following file

**90340-24-71-24-PP002**

and is valid only if the product is manufactured in accordance with the corresponding tested sample.

This verification is the result of tests carried out on one sample and does not represent the serial  
production of this product.

The CE mark as shown can be used, under the responsibility of the manufacturer, after completion of  
an EC Declaration of Conformity and compliance with all relevant EC Directives.

This verification of conformity loses its validity in the following cases:

- if the reference standards and/or EC Directives are modified;
- if any modifications are made to the model/s without our approval.



May. 13, 2024

(Date)

*Jason Gao*

Jason Gao  
Lab Manager



经续检验

SLG-CPC Testlaboratory

SLG-CPC Testlaboratory Dongguan Co., Ltd.

# VERIFICATION OF CONFORMITY

No.: 24050295C-C

This verification is issued for

**GUANG TAI ENTERPRISE CO LTD**

Rm 402, Bldg 4, No.2 Dapianmei Rd., Dapianmei Village, Dalingshan, DONGGUAN, Guangdong, China

The product with designation of type

**Furniture Power Distribution Unit**

Trade Mark: N/A

Model/s: JN00-00-02K; JN00-00-02KM; JN00-00-03K; JN00-00-03KM; JN00-00-04; JN00-00-04K; JN00-00-04KM; JN02-00-21; JN02-00-22; JN02-00-22M; JN02-00-23; JN02-00-23K; JN02-00-23M; JN02-00-23KM; JN02-00-24K; JN02-00-24; JN02-00-24M; JN02-00-24KM

This is to declare that the technical file of the products complies the essential requirements of below European Directives:

**Low Voltage Directive 2014/35/EU;**

Reference standards:

**IEC 60884-2-7:2011+ AMD1:2013  
IEC 60884-1:2002 + AMD1:2006  
IEC 62368-1:2018 (EN IEC 62368-1:2020 + A11:2020)**

This verification is based on the following file

**90340-24-70-24-PP001**

And is valid only if the product is manufactured in accordance with the corresponding tested sample. This verification is the result of tests carried out on one sample and does not represent the serial production of this product.

The CE mark as show can be used, under the responsibility of the manufacturer, after completion of an EC Declaration of Conformity and compliance with all relevant EC Directives.

This verification of conformity loses its validity in the following cases:

- if the reference standards and/or EC Directives are modified;
- if any modifications are made to the model/s without our approval.



2024-05-11

(Date)

*Owen Zhan*

Owen Zhan  
Technical Director