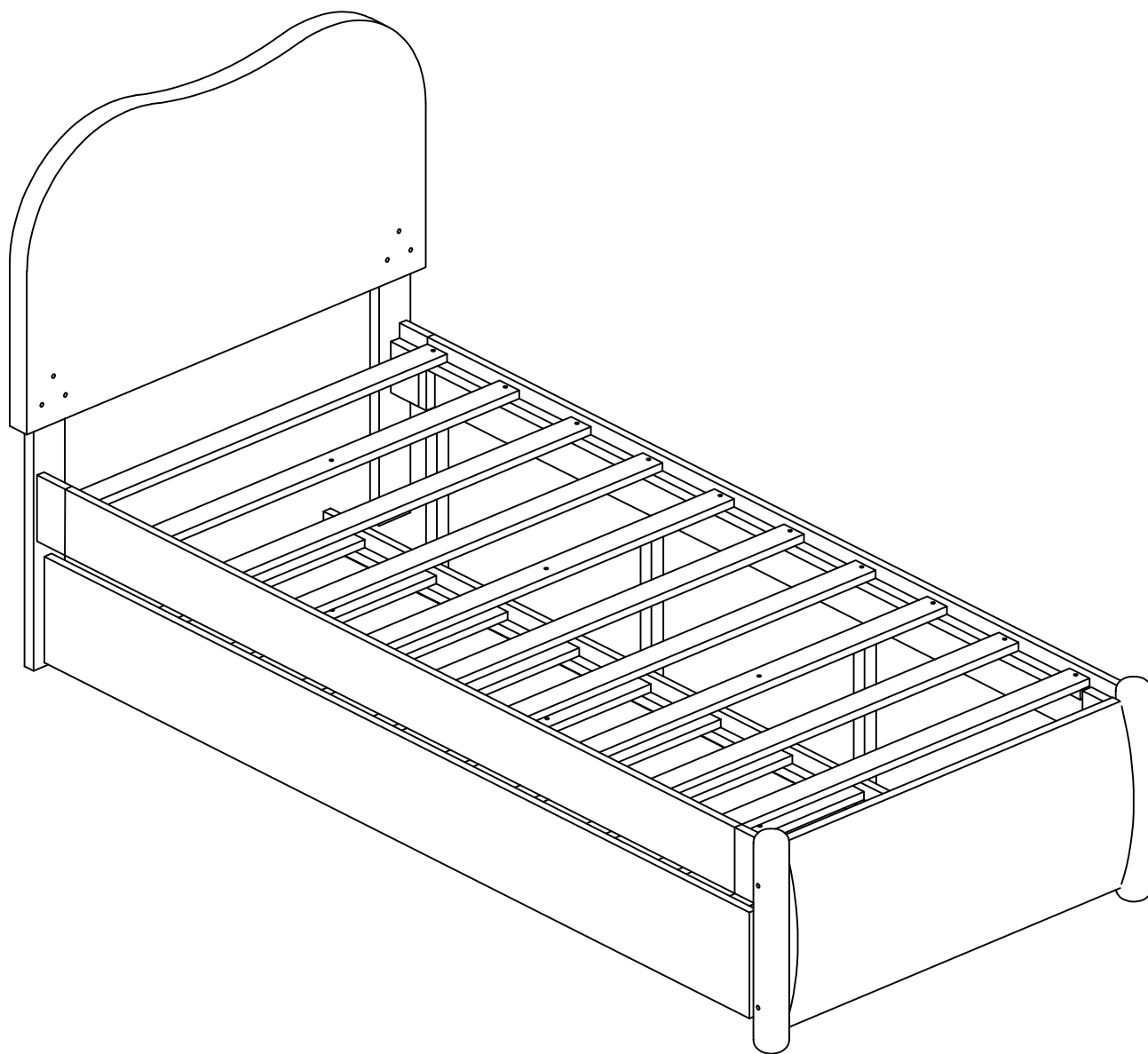
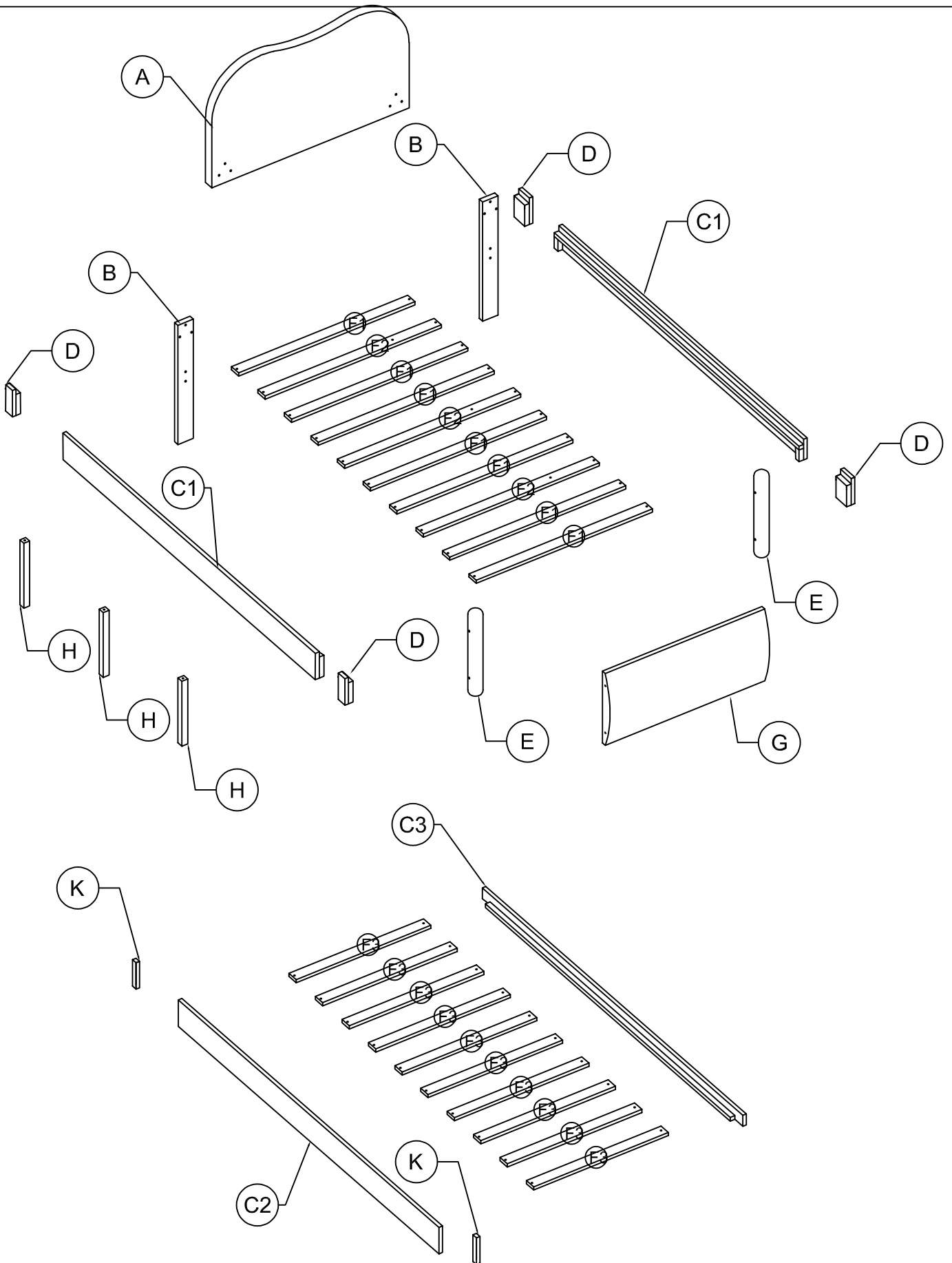


ASSEMBLY INSTRUCTION

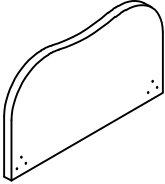
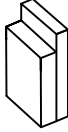

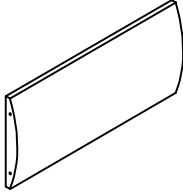

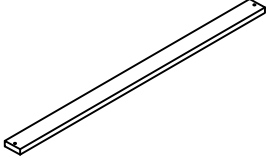
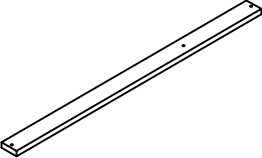

SKU CODE: (WF326449-WF326456)



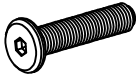



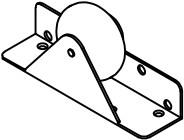

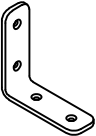
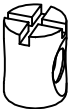
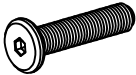
ASSEMBLY INSTRUCTION



Part List (WF326449)

<p>A</p>  <p>HeadBoard-1pcs</p>	<p>D</p>  <p>Legs-2pcs</p>	<p>E</p>  <p>FootBoard-2pcs</p>
<p>G</p>  <p>BackBoard-1pcs</p>	<p>H</p>  <p>SupportBar-3pcs</p>	<p>F1</p>  <p>Slats-7pcs</p>
<p>F2</p>  <p>Slats-3pcs</p>	<p>K</p>  <p>Legs-2pcs</p>	

Hardware List(WF326449)

<p>1</p>  <p>Ø1/4" x 30mm Hex-Head bolts 3pcs</p>	<p>2</p>  <p>1/4" x 90mm Hex-Head bolts 16pcs</p>	<p>3</p>  <p>M4 x 30 mm Wood Screws 40pcs</p>
<p>4</p>  <p>M4 x 15 mm Wood Screws 24pcs</p>	<p>5</p>  <p>Wheels - 4pcs</p>	<p>6</p>  <p>Plastic Drawer Stopper 4 pcs</p>
<p>7</p>  <p>Steel Bracket 3pcs</p>	<p>8</p>  <p>1/4" x 15mm Horizontal-Hole bolts 4pcs</p>	<p>9</p>  <p>Ø1/4" x 40mm Hex-Head bolts 6pcs</p>

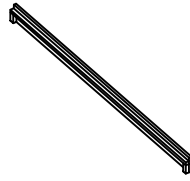
Part List (WF326456)

B



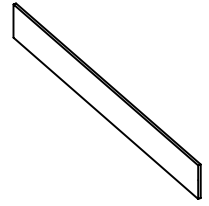
FootBoard-2pcs

C1



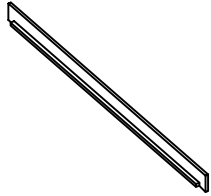
Side Rails-2pcs

C2



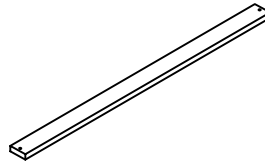
Side Rails-1pcs

C3



Side Rails-1pcs

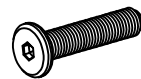
F3



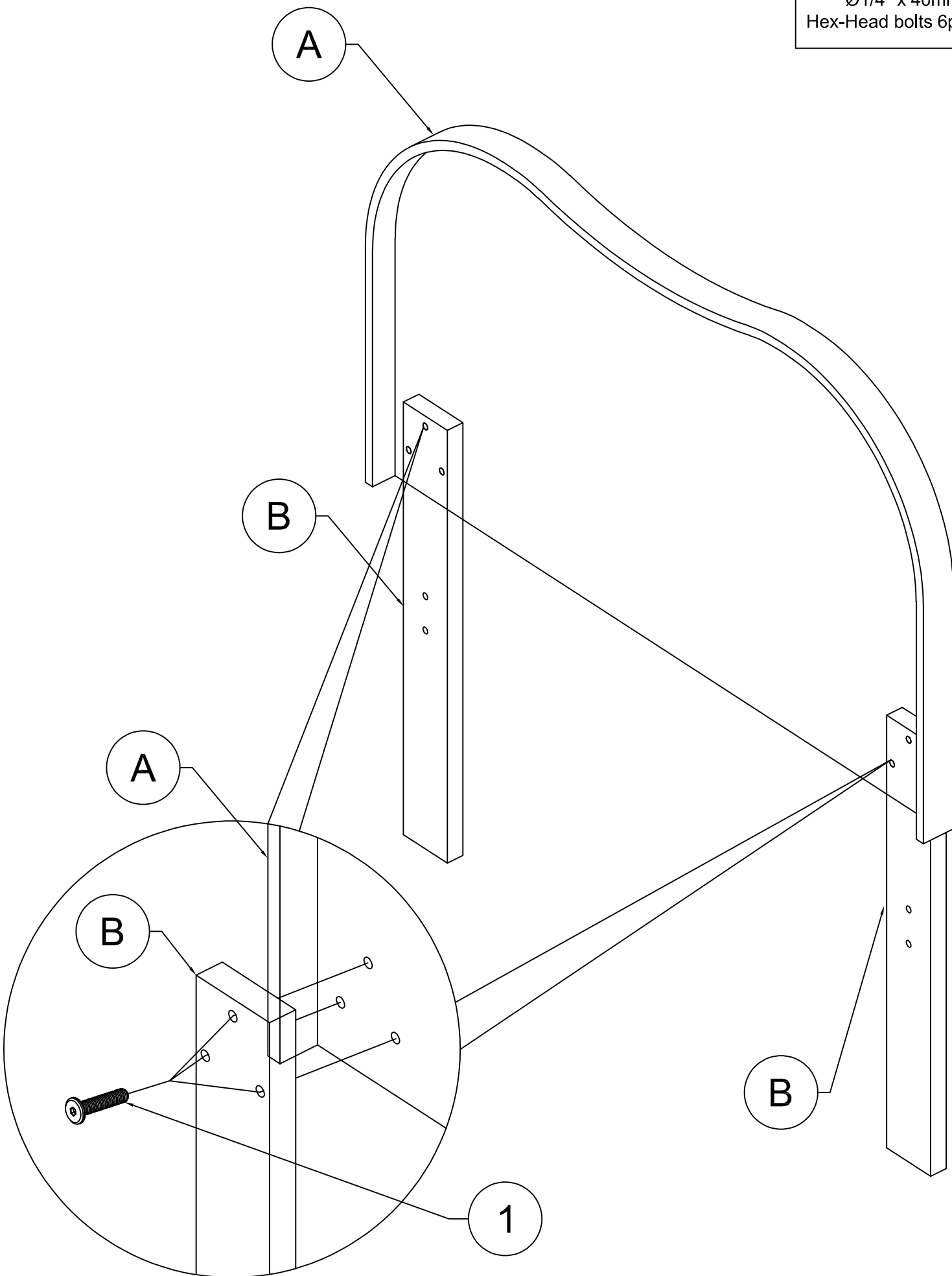
Slats-10pcs

STEP 1: Following below illustration

9



Ø1/4" x 40mm
Hex-Head bolts 6pcs

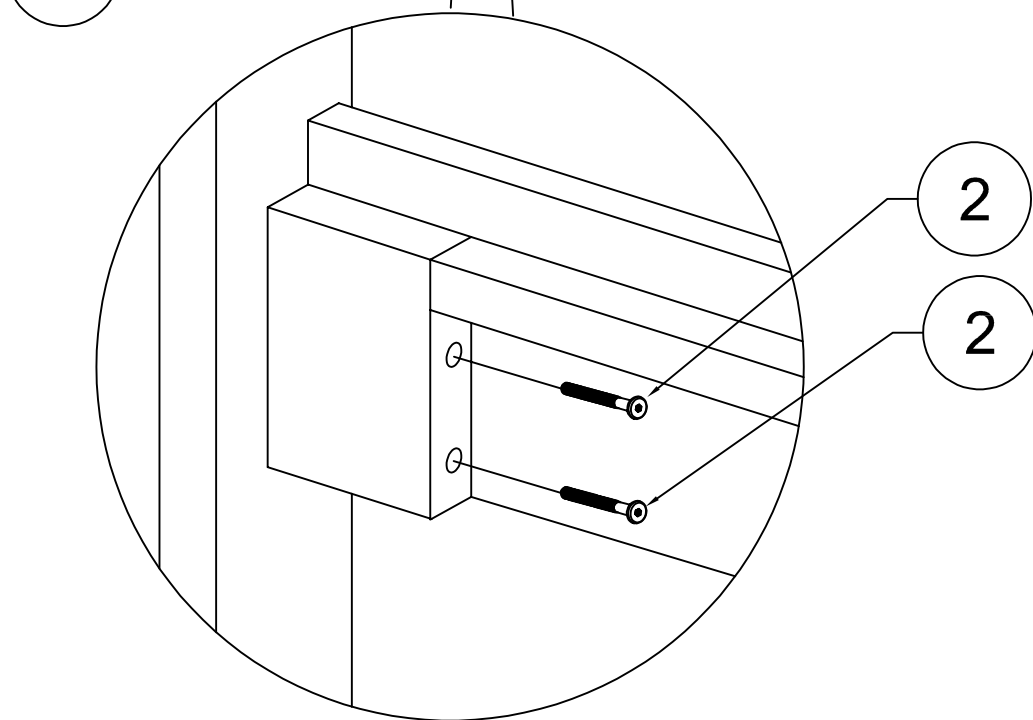
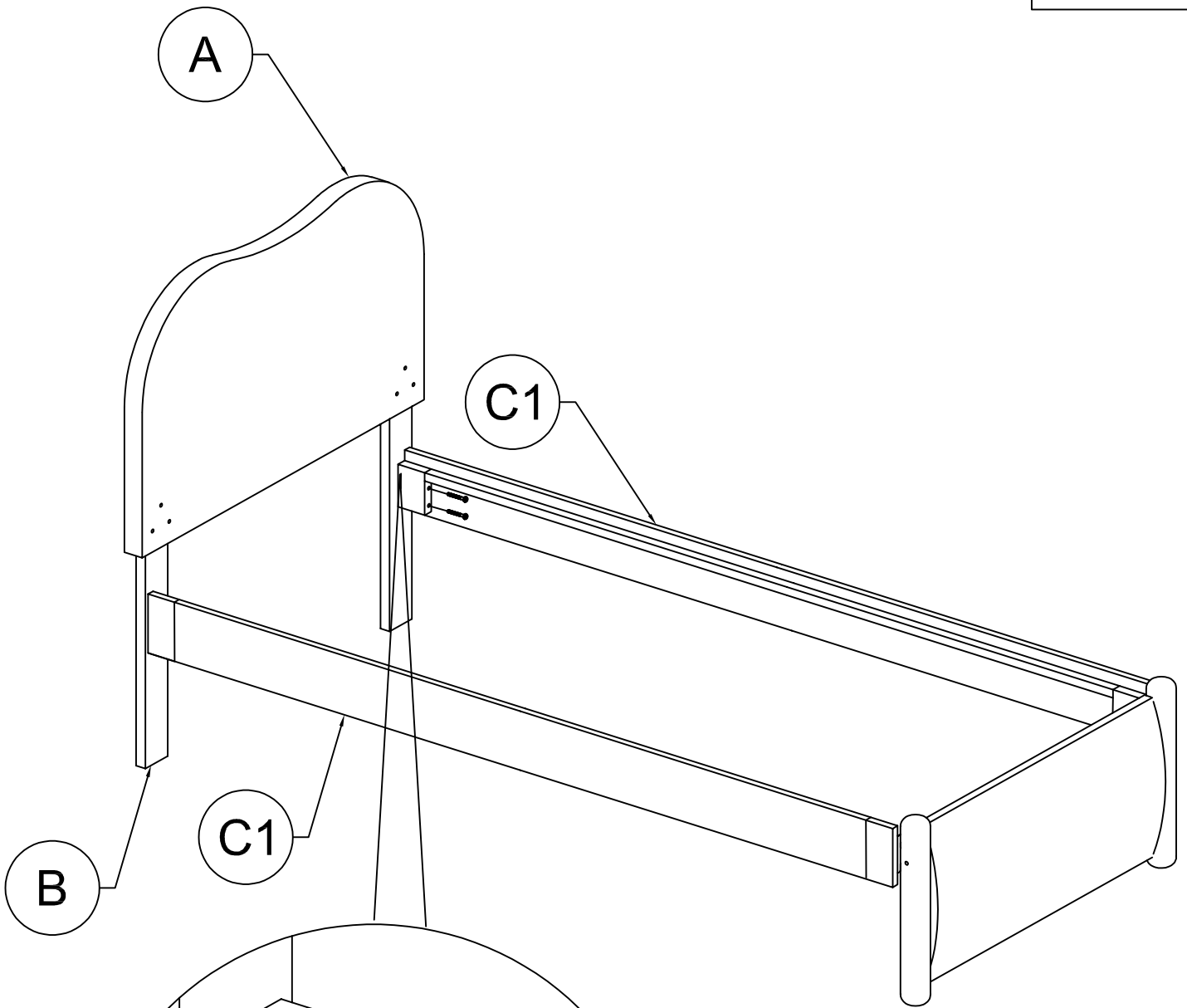


STEP 3: Following below illustration

2



Ø1/4" x 90mm
Hex-Head bolts 8pcs



2

2

x4

STEP 3: Following below illustration

4

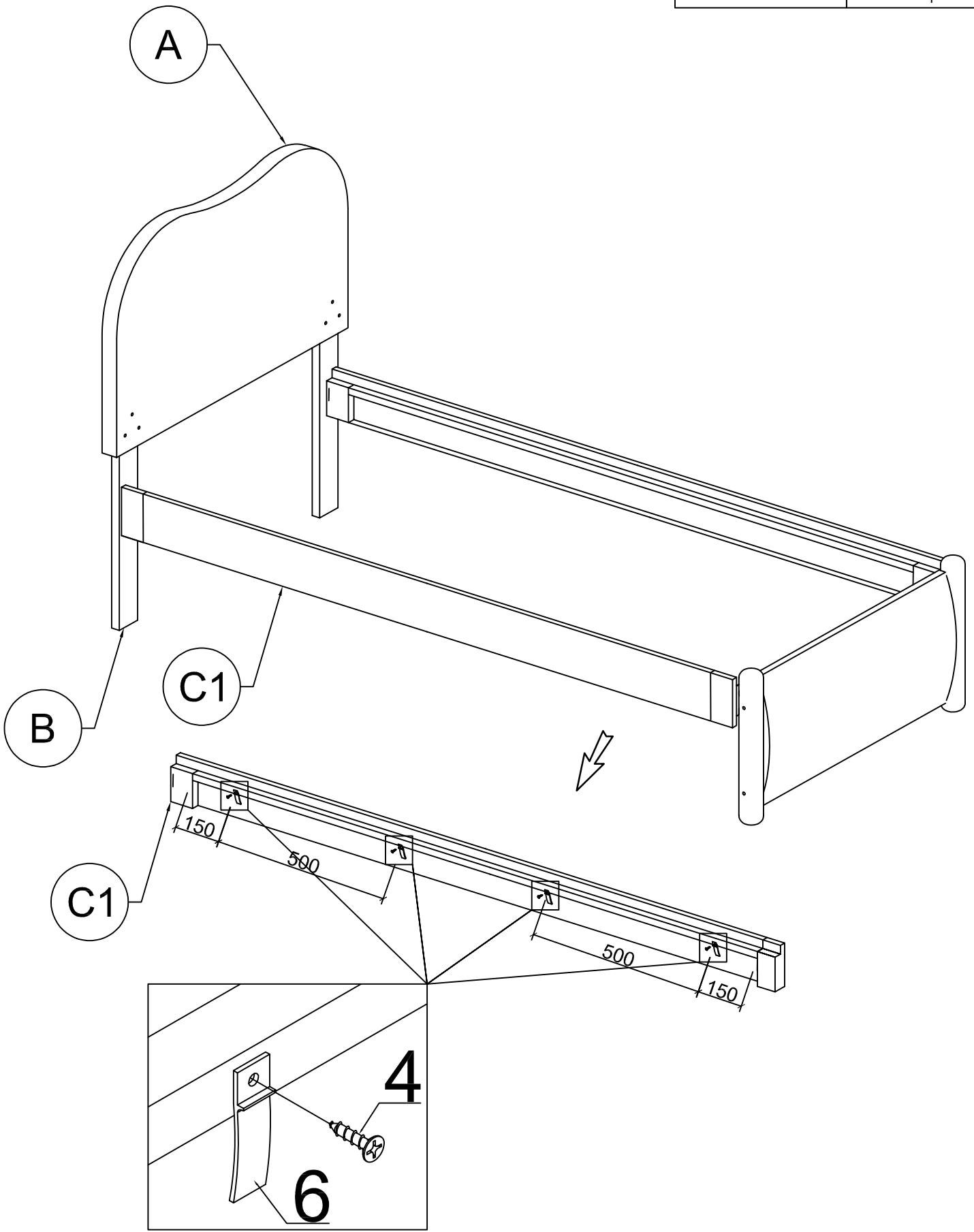


M4 x 15 mm
Wood Screws 4 pcs

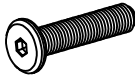
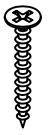
6

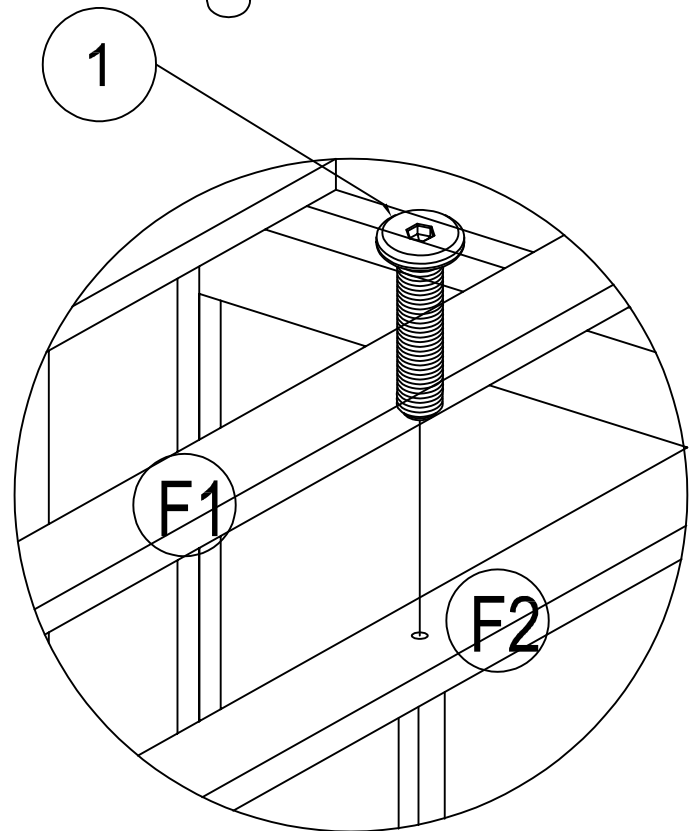
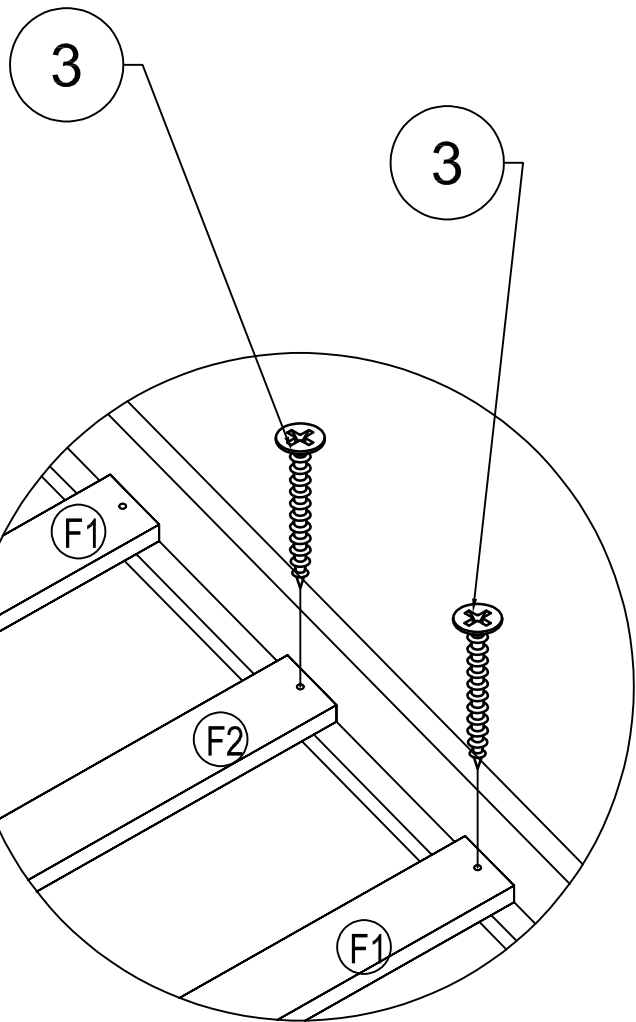
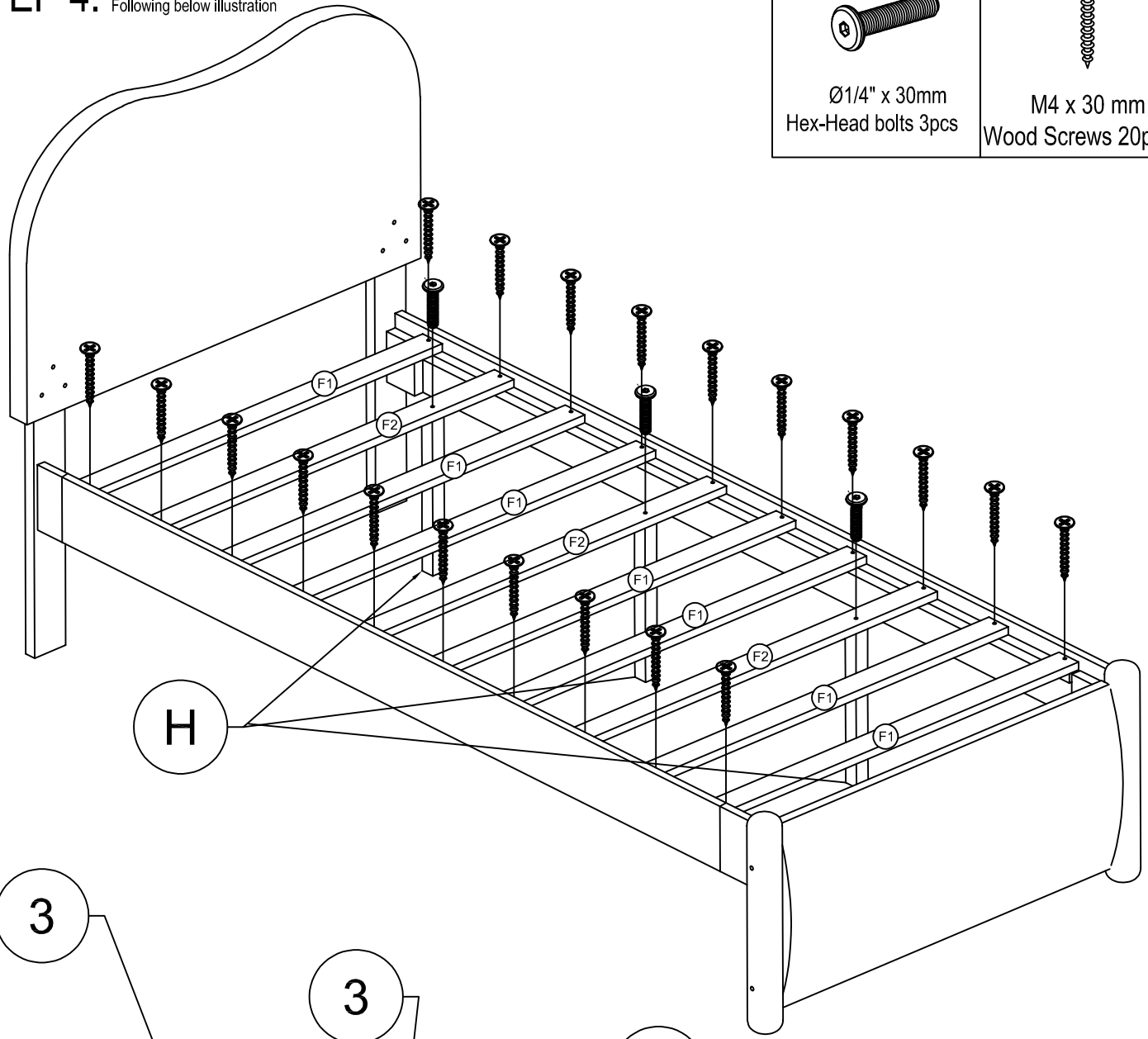


Plastic Drawer Stopper
4 pcs



STEP 4: Following below illustration

1  Ø1/4" x 30mm Hex-Head bolts 3pcs	3  M4 x 30 mm Wood Screws 20pcs
---	--



STEP 5: Following below illustration

2

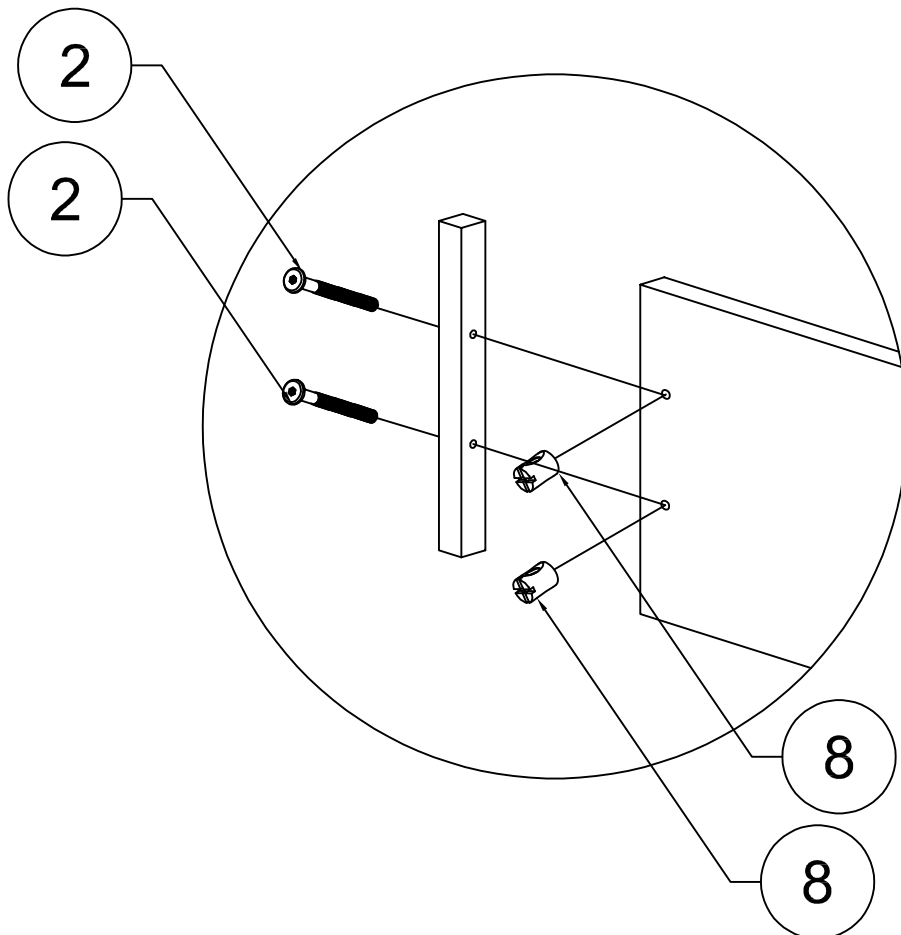
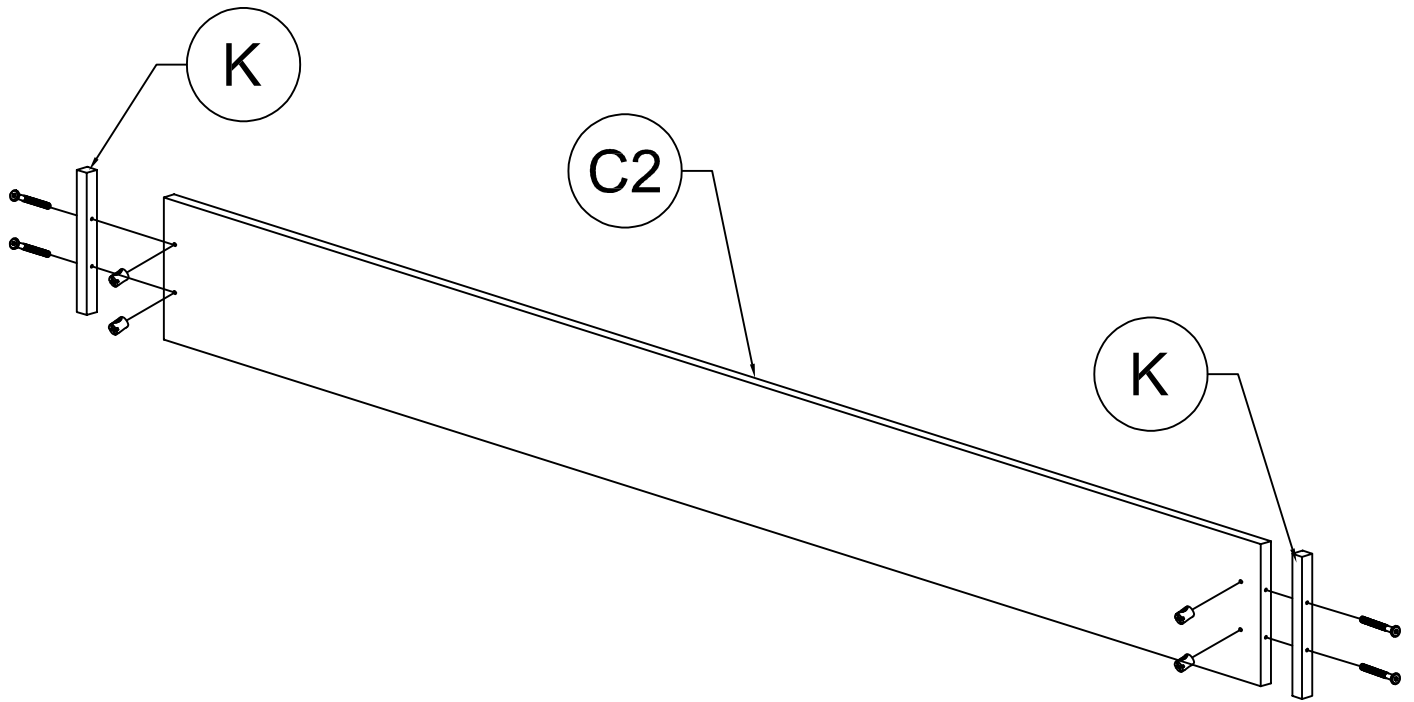


1/4" x 90mm
Hex-Head bolts 4pcs

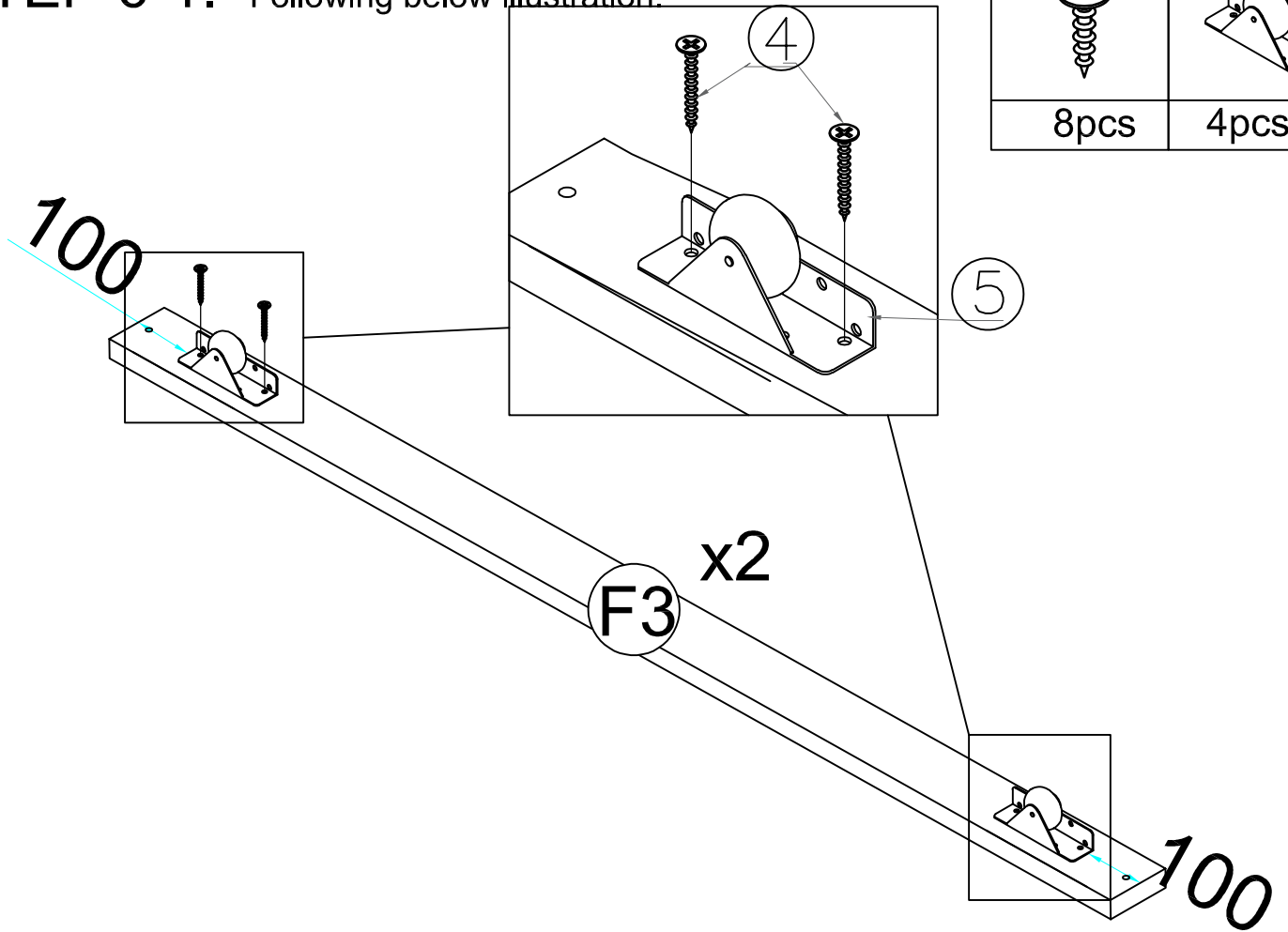
8



1/4" x 15mm
Horizontal-Hole bolts 4pcs



STEP 6-1: Following below illustration:



STEP 6-2: Following below illustration:

