



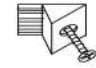








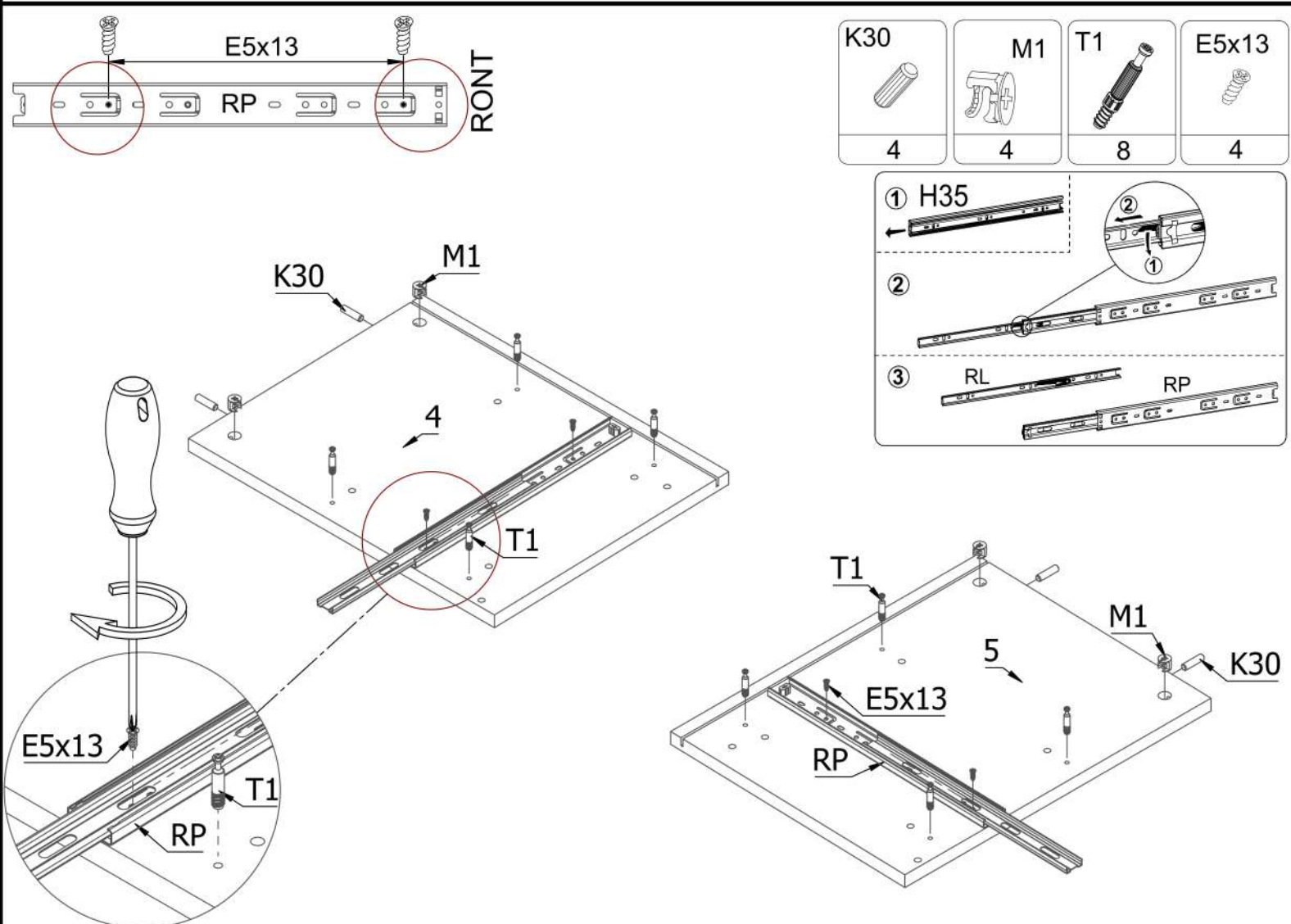
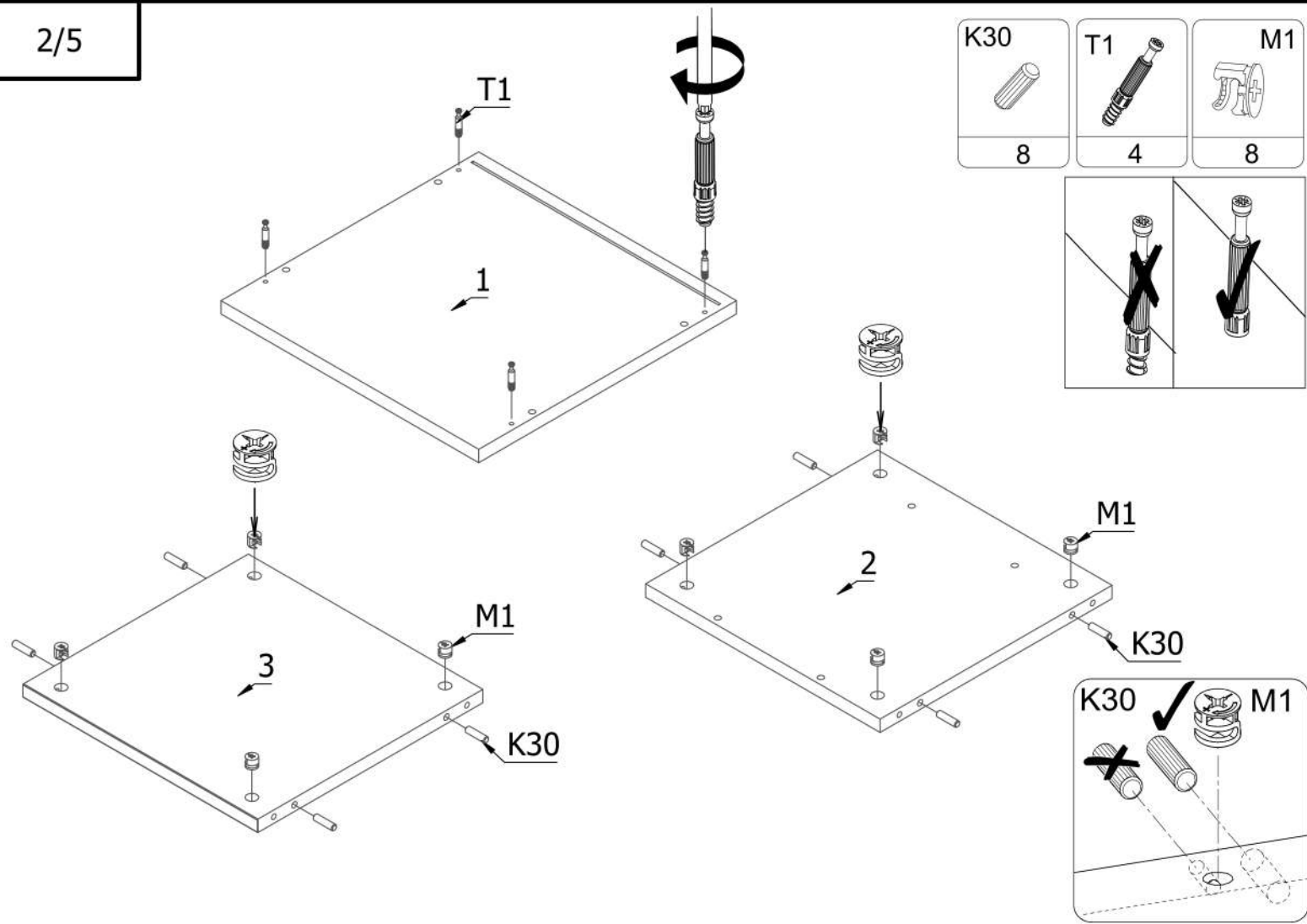







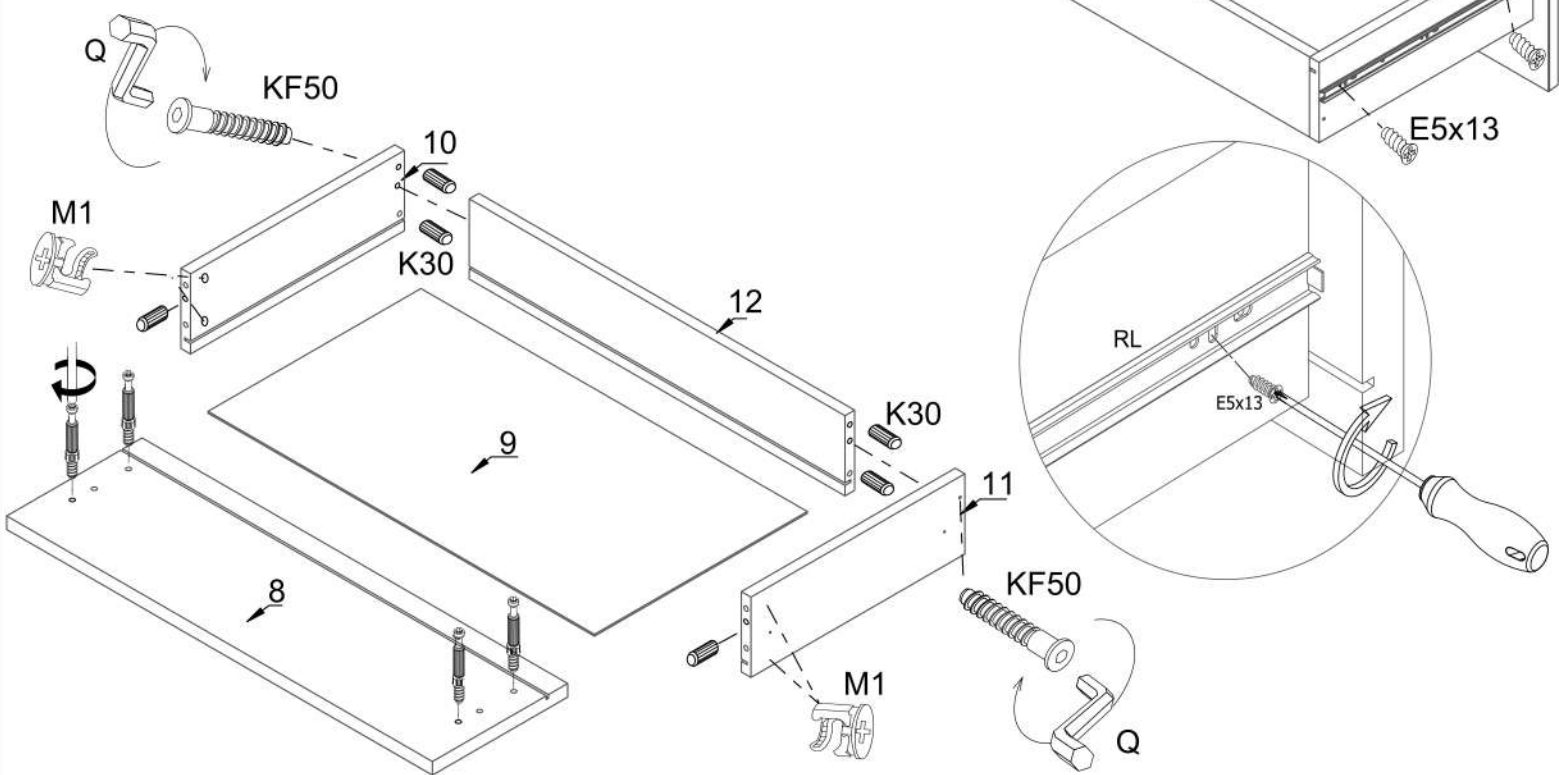
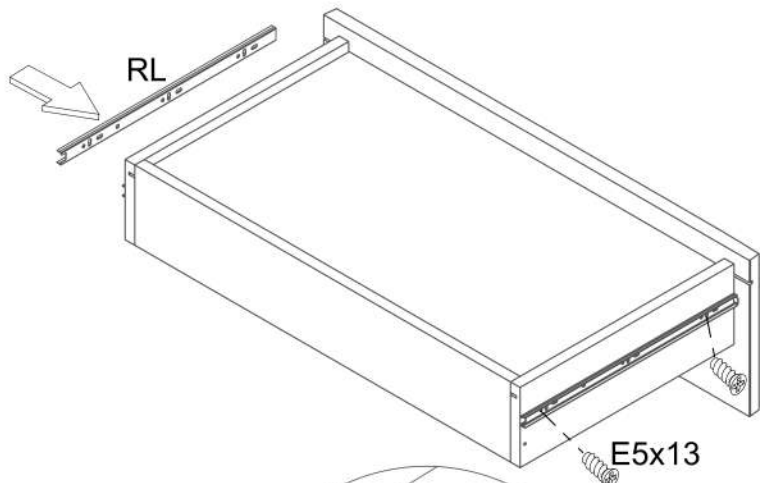
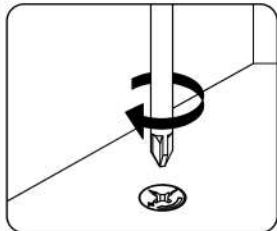



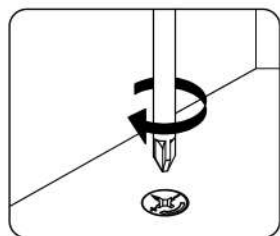
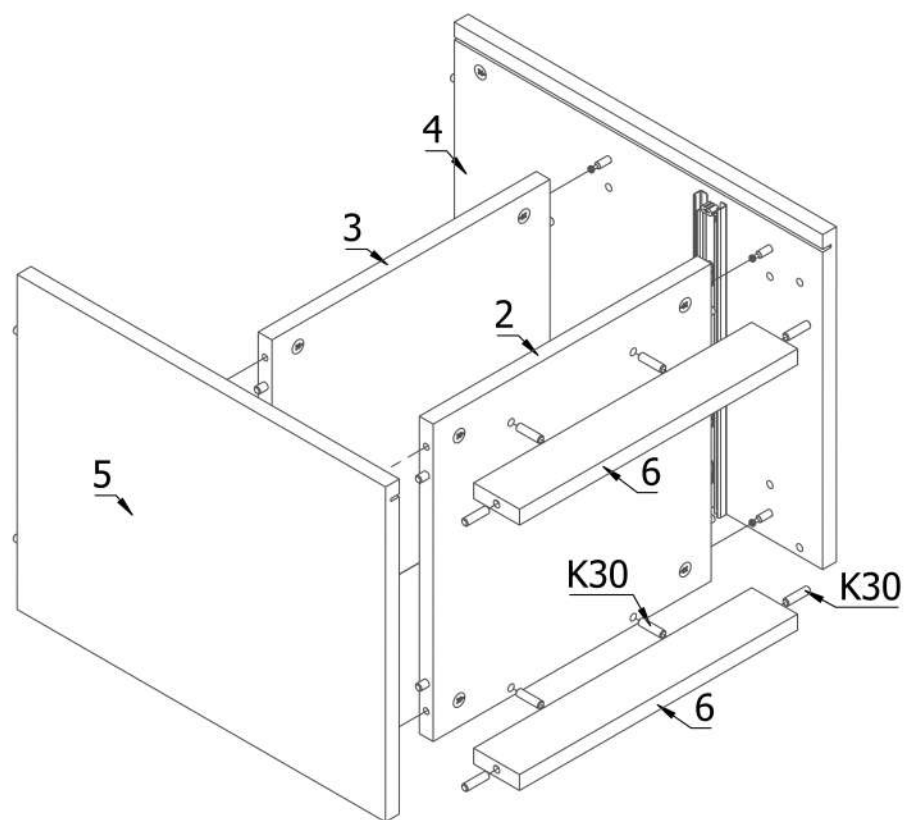
<p>K30</p>  <p>26</p>	<p>T1</p>  <p>16</p>	<p>M1</p>  <p>16</p>	<p>x</p>  <p>16</p>	<p>STB</p>  <p>3</p>	<p>SN</p>  <p>4</p>	<p>UM</p>  <p>1</p>
<p>E5x13</p>  <p>8</p>	<p>Q</p>  <p>1</p>	<p>W4x27</p>  <p>2</p>	<p>GW</p>  <p>5</p>	<p>KF50</p>  <p>2</p>	<p>H35</p>  <p>1</p>	

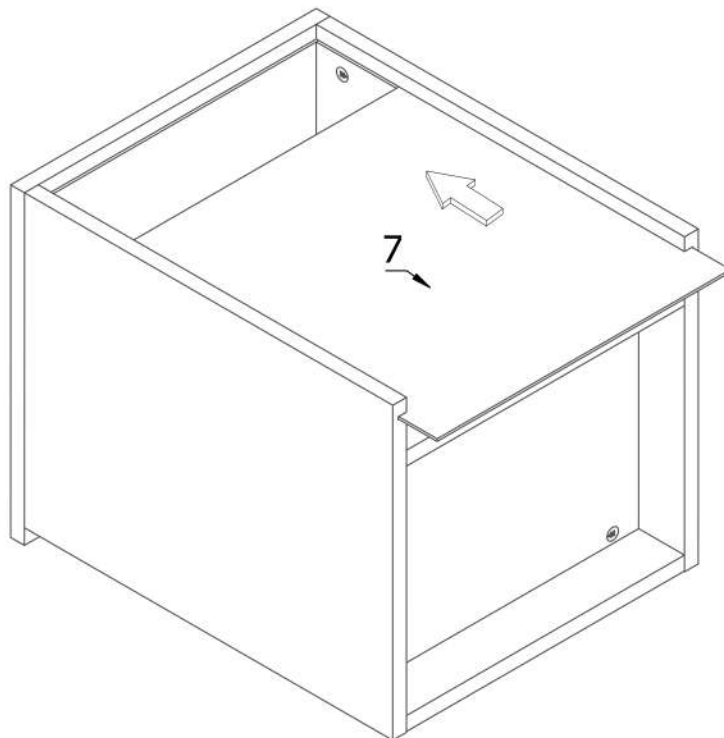
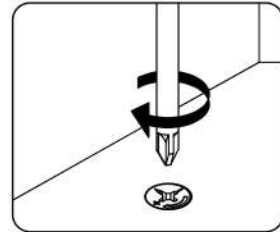
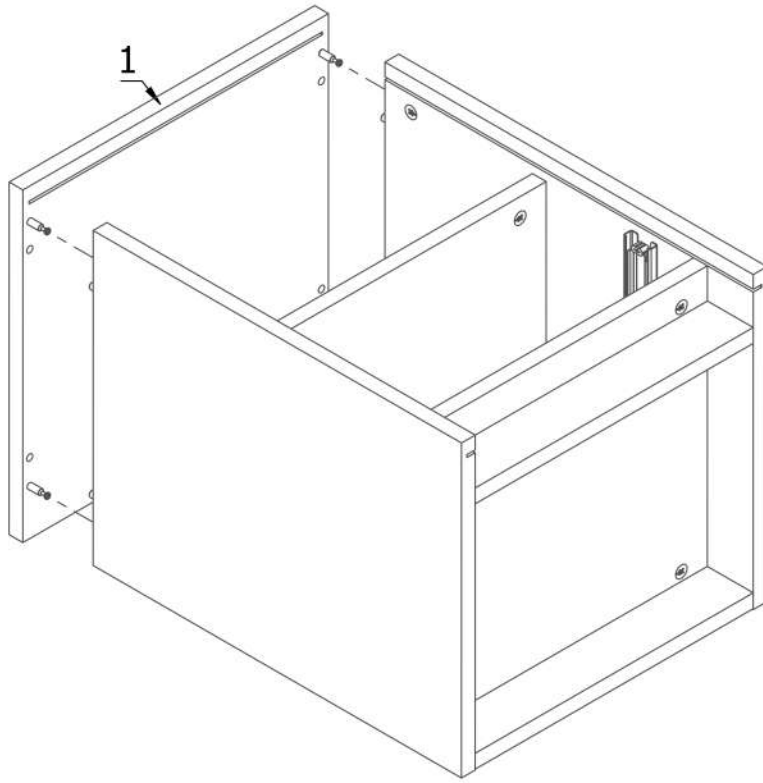
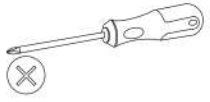



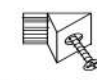

K30  6	M1  4	T1  4	E5x13  4	 1	Q  1	KF50  2
--	---	---	--	---	--	---

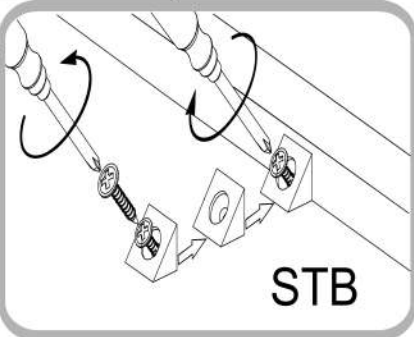


K30  8

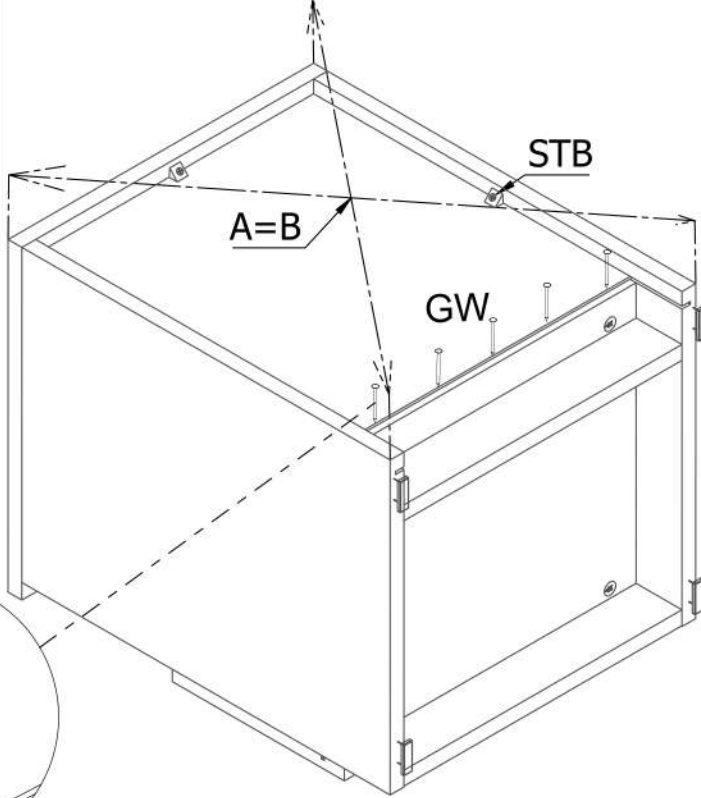




 GW	 STB	 SN
5	3	4



STB

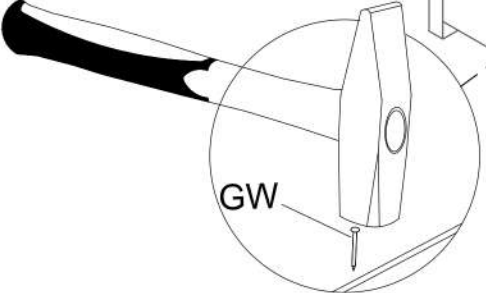


A=B

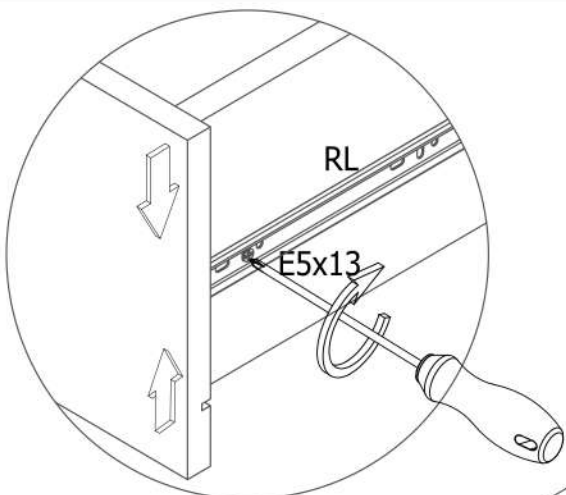
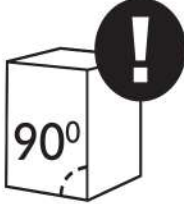
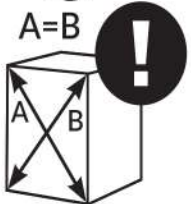
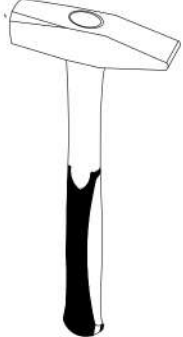
STB

GW

SN





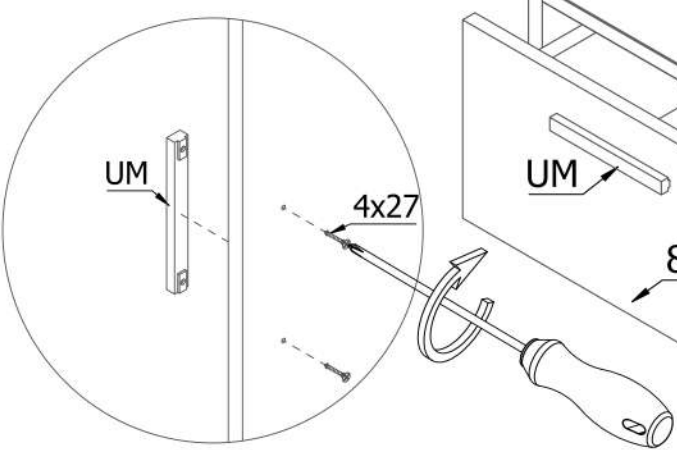
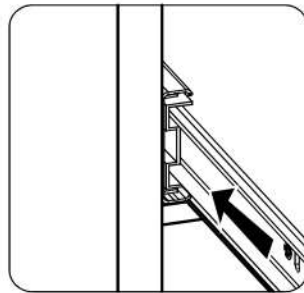
GW



RL

E5x13

 UM	 W4x27
1	2



UM

4x27

UM

8

