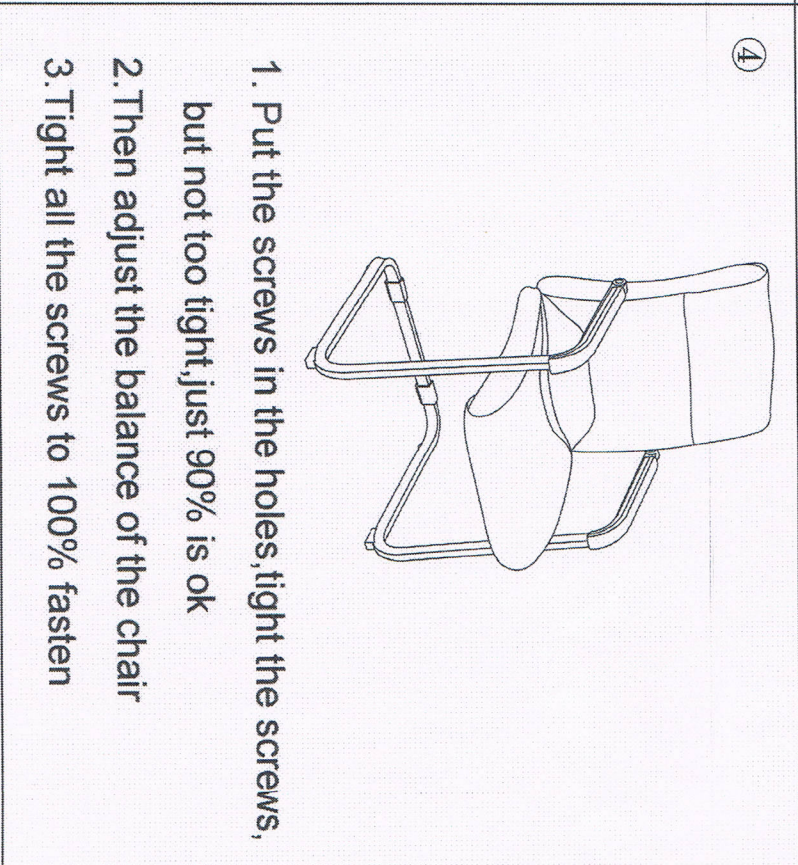
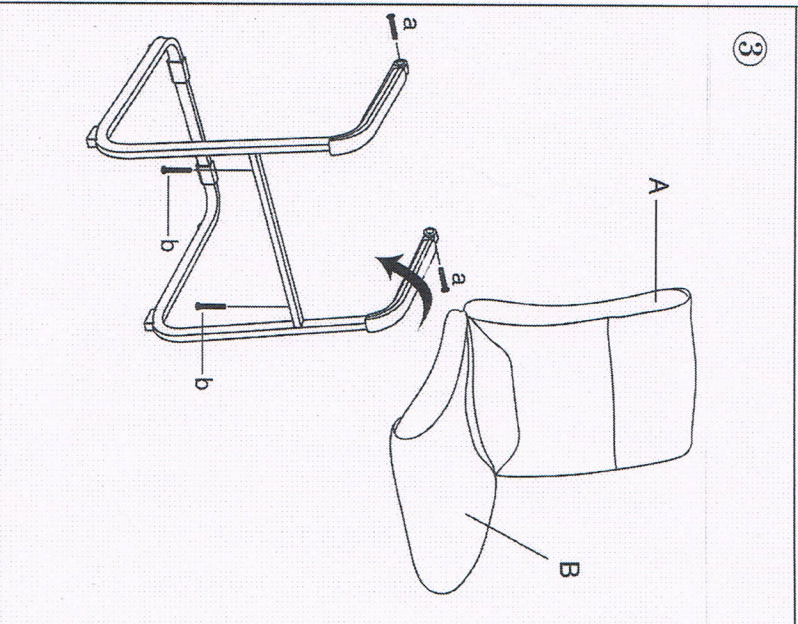
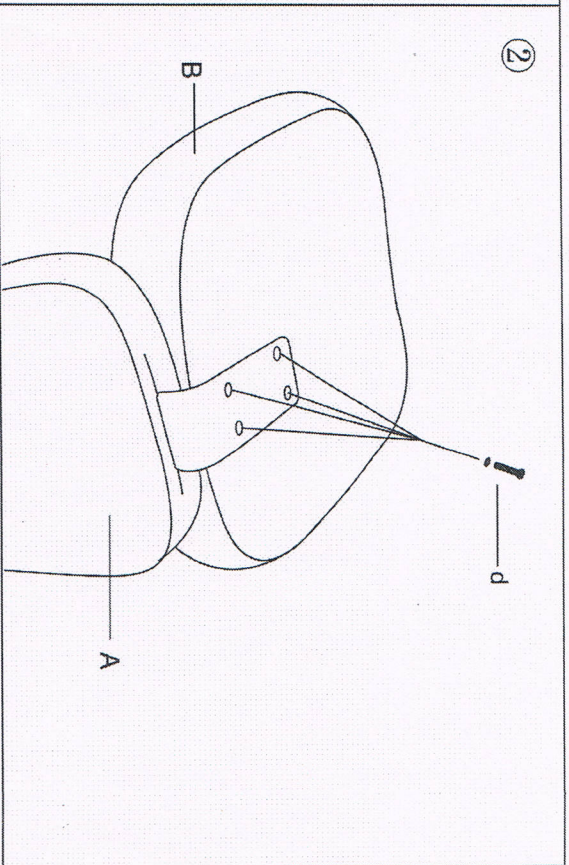
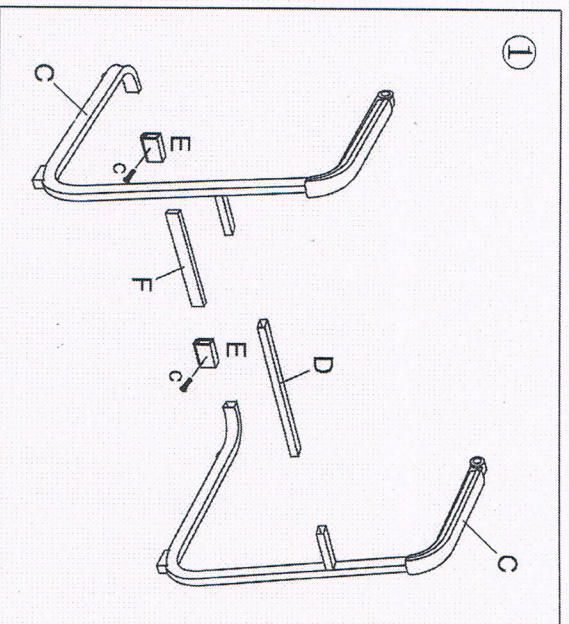
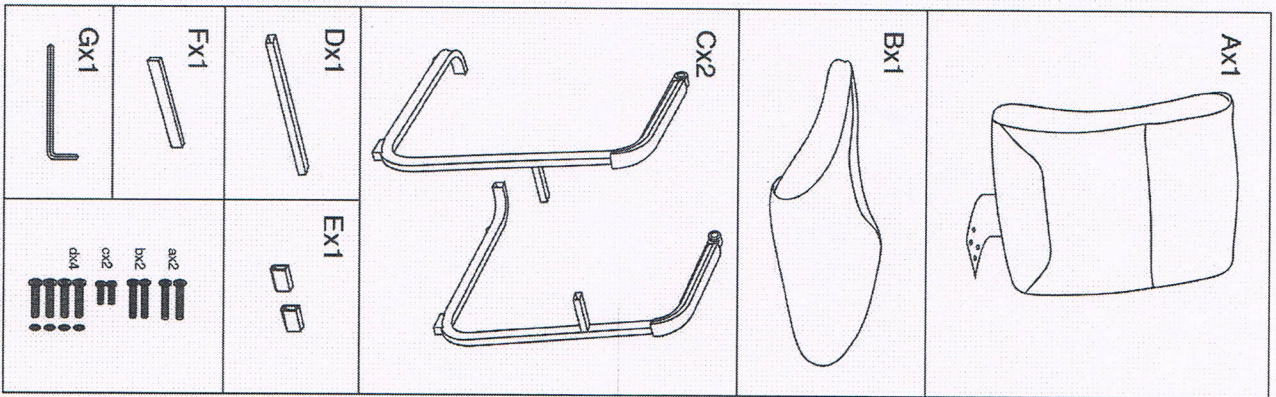


Aufbauanleitung



1. Put the screws in the holes, tight the screws, but not too tight, just 90% is ok
2. Then adjust the balance of the chair
3. Tight all the screws to 100% fasten