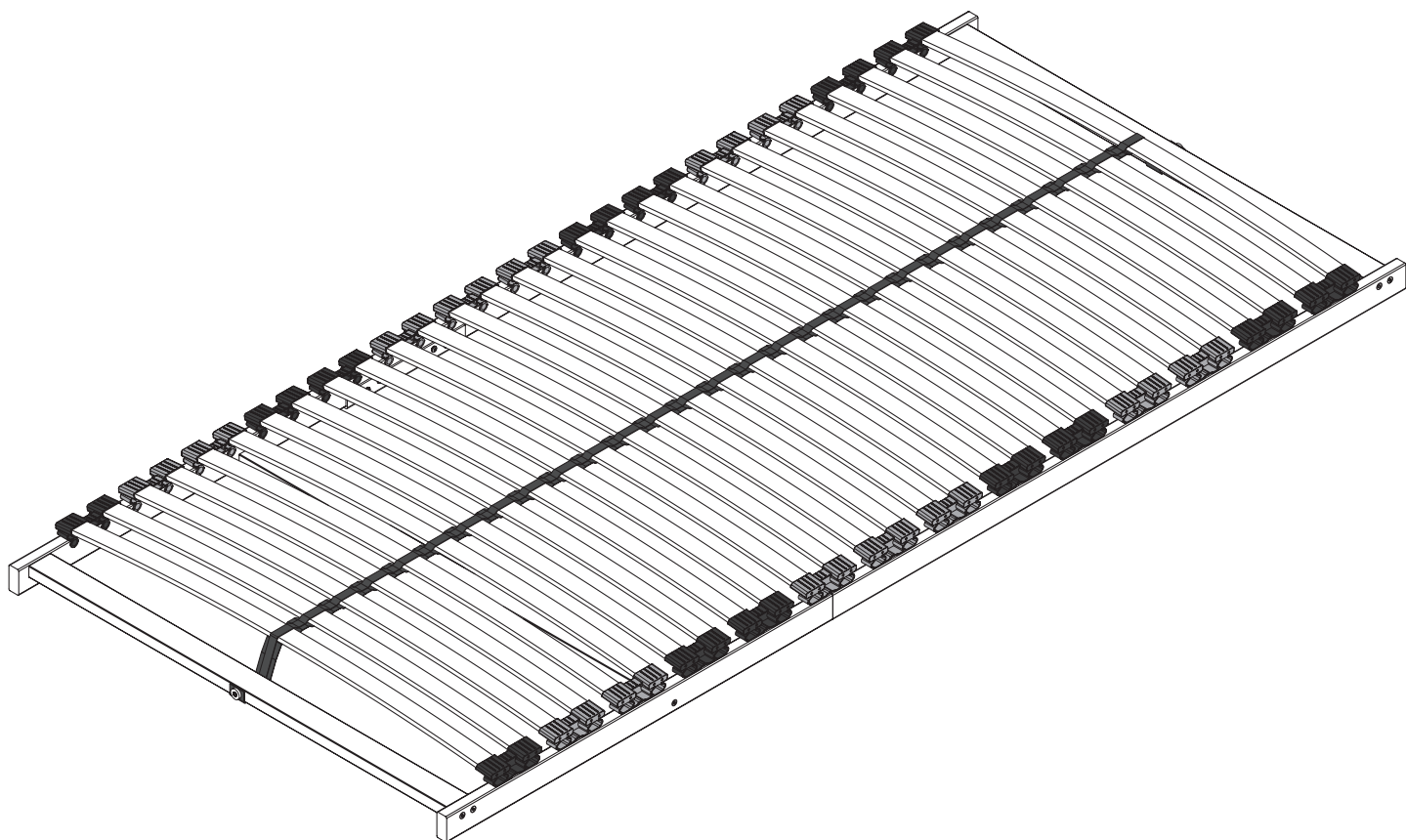
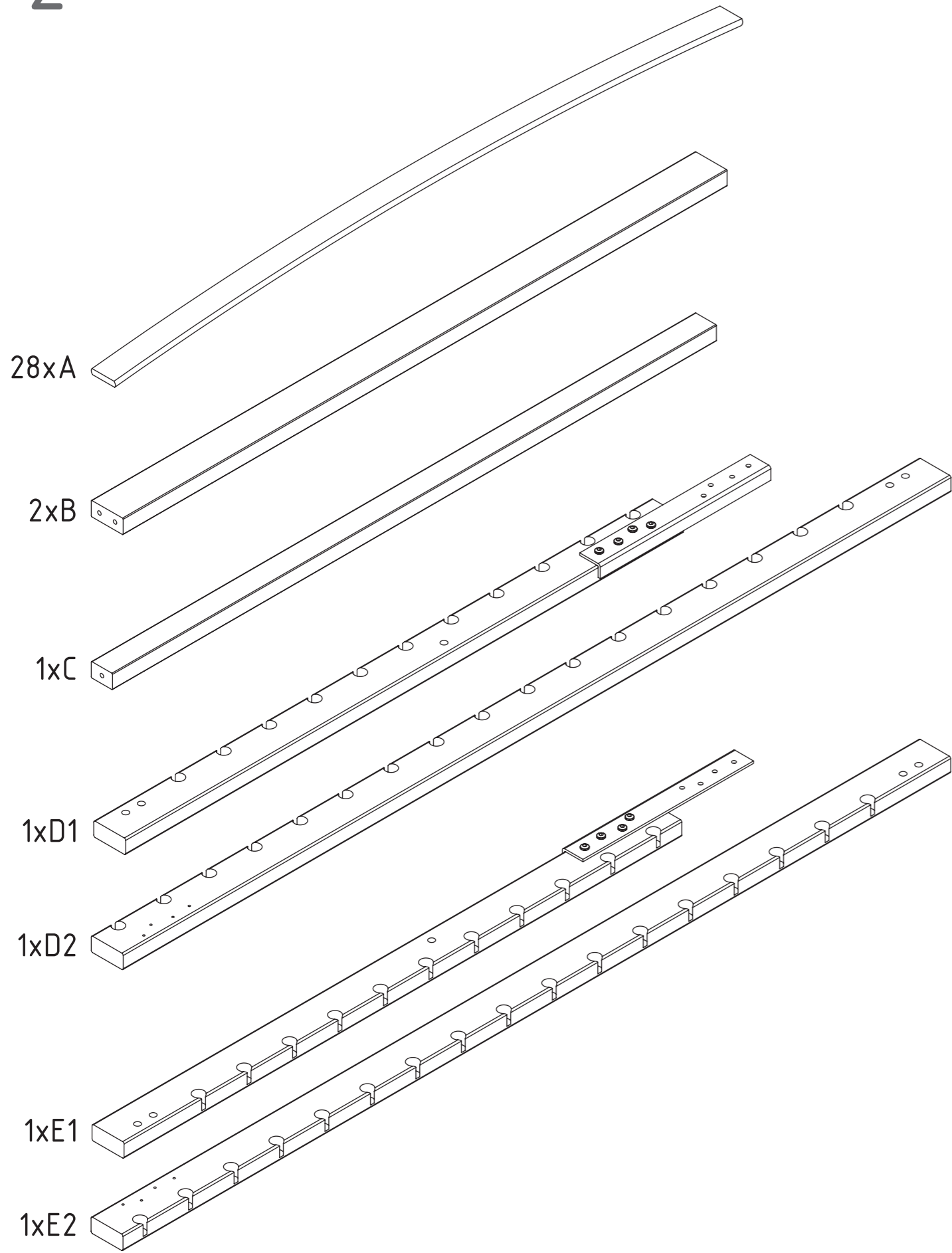


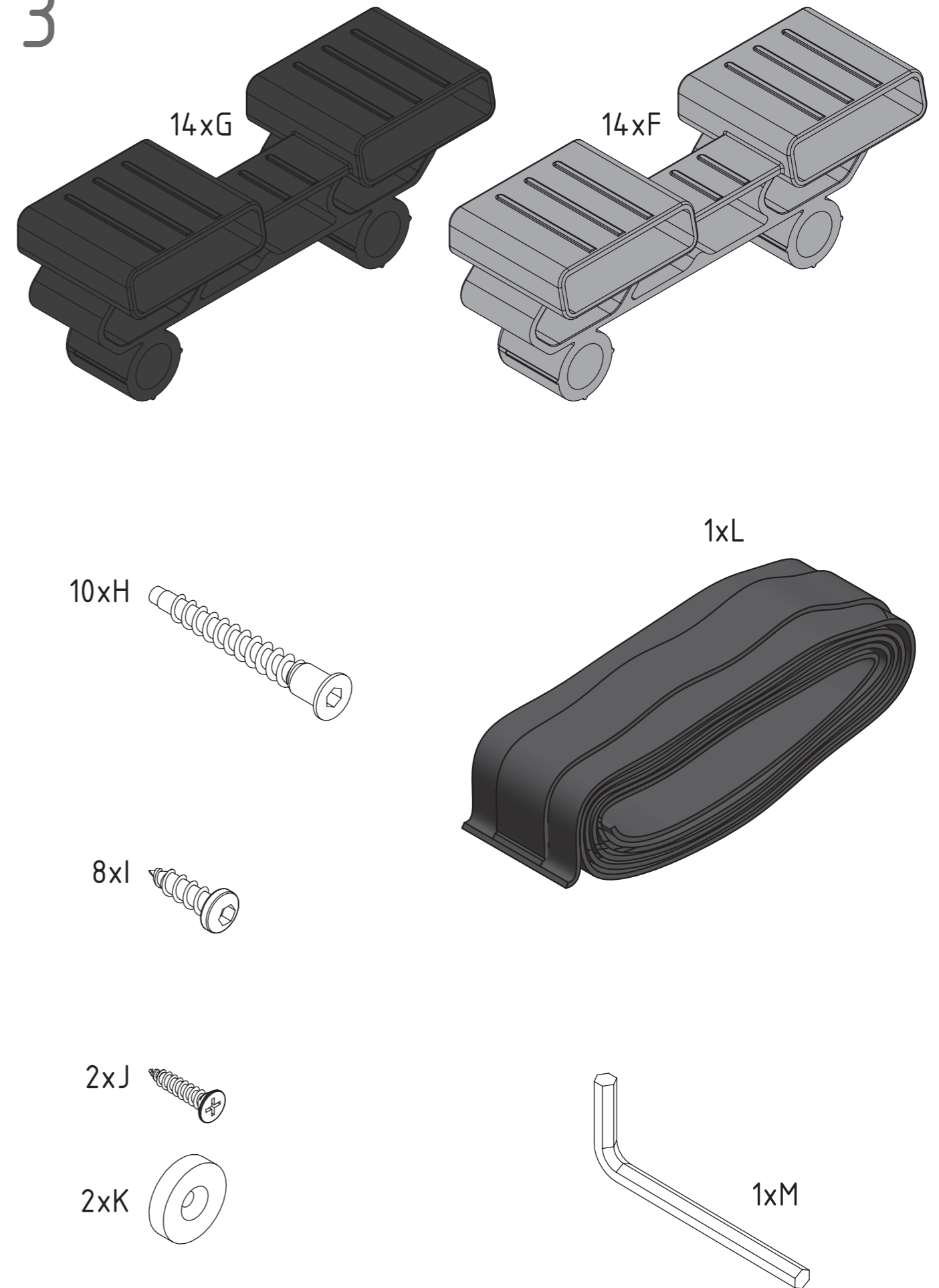
KOMFORT FIX



2

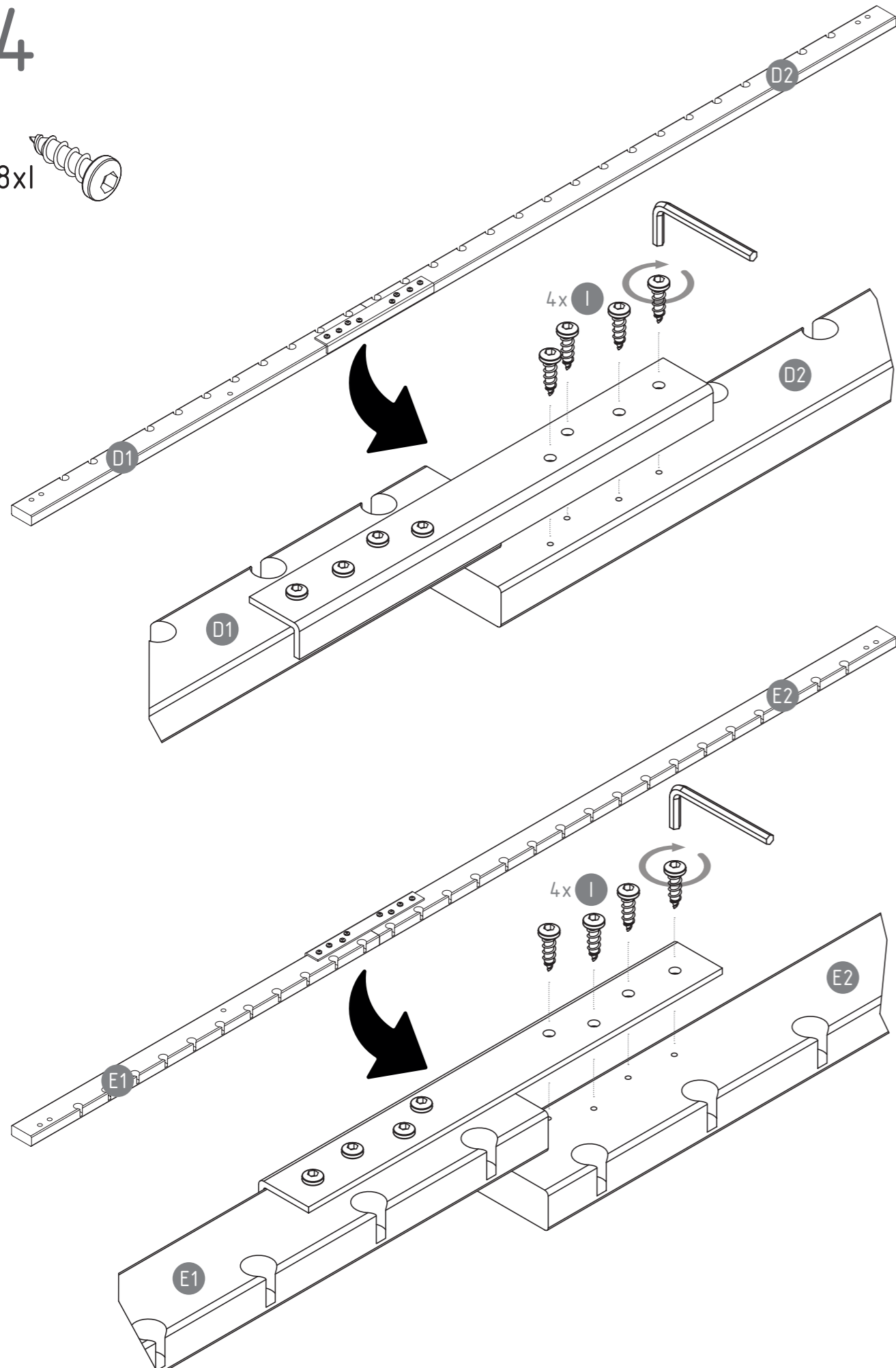


3



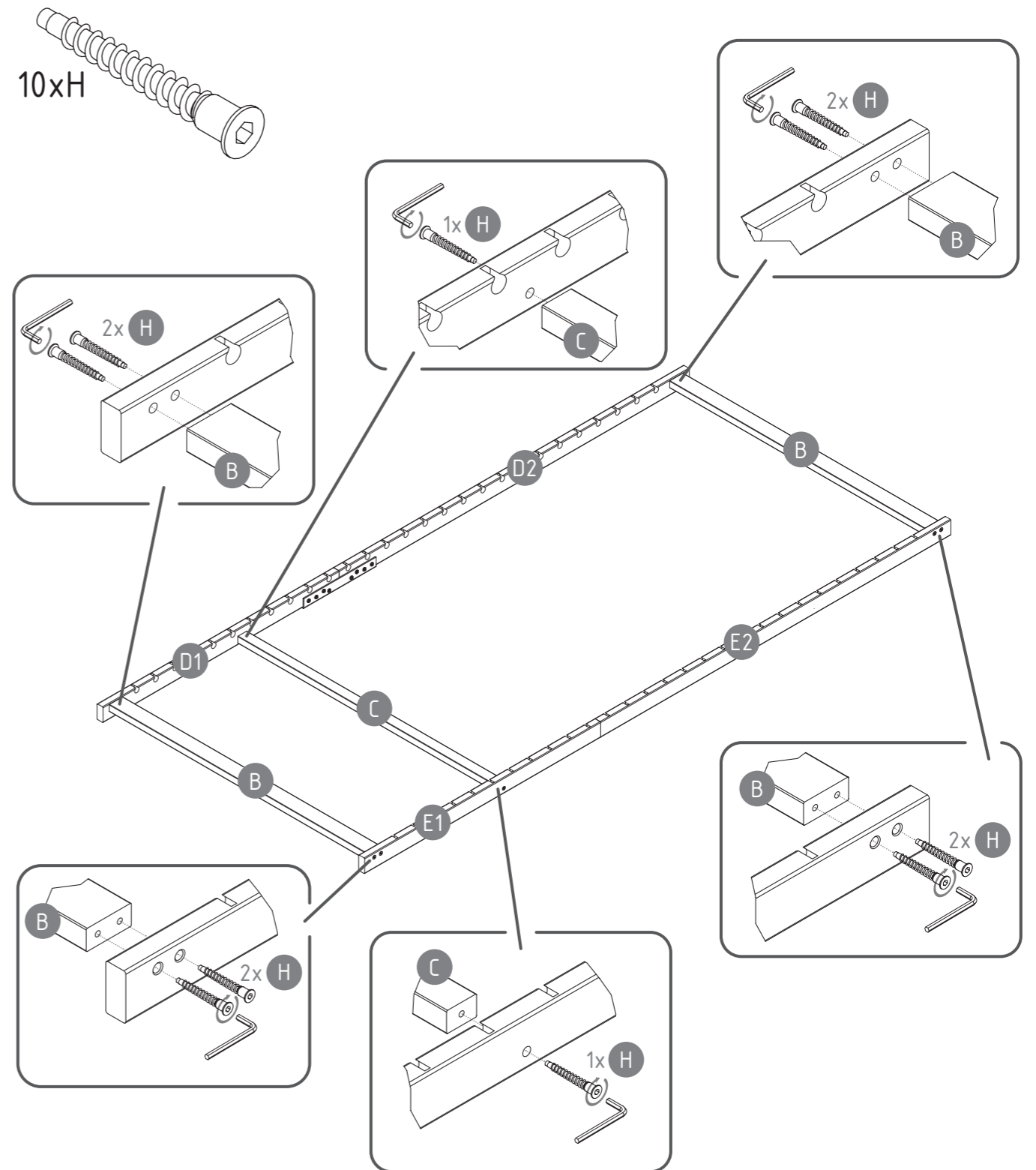
4

8xI

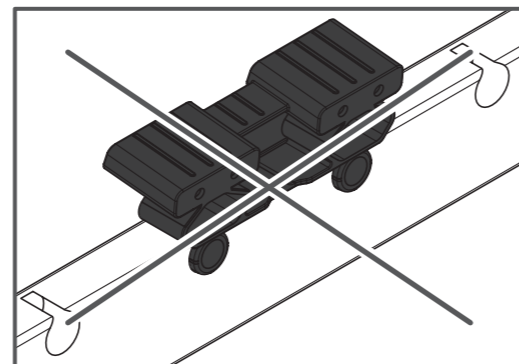
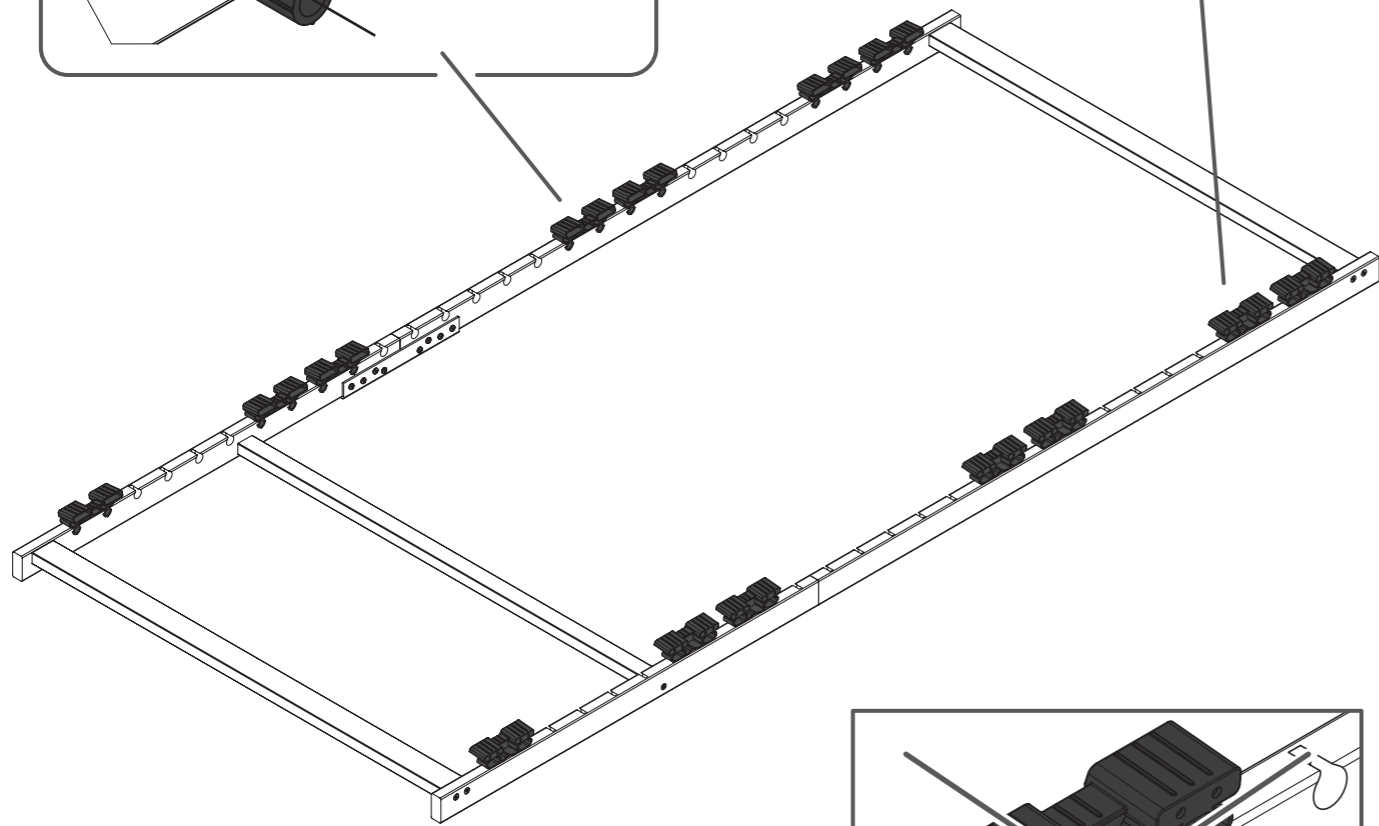
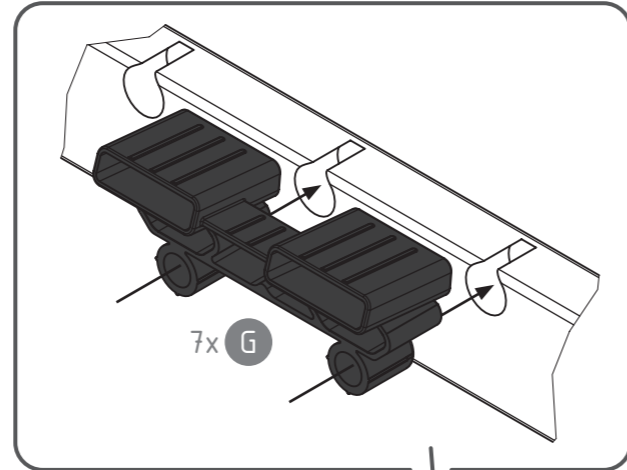
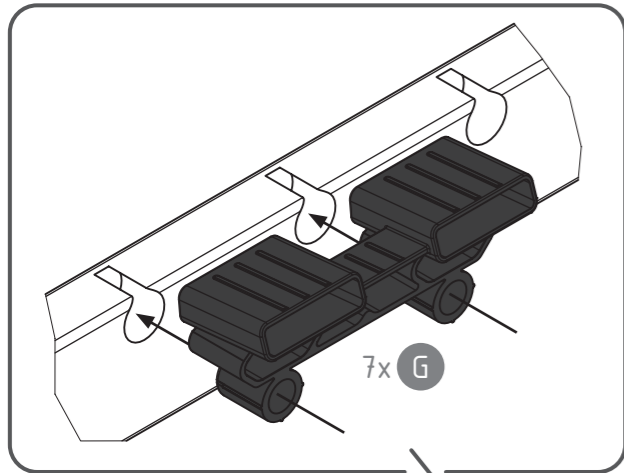
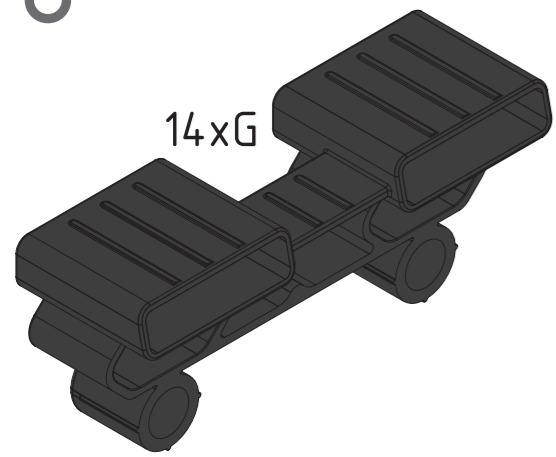


5

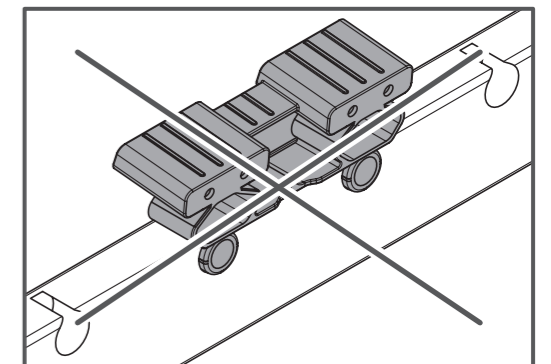
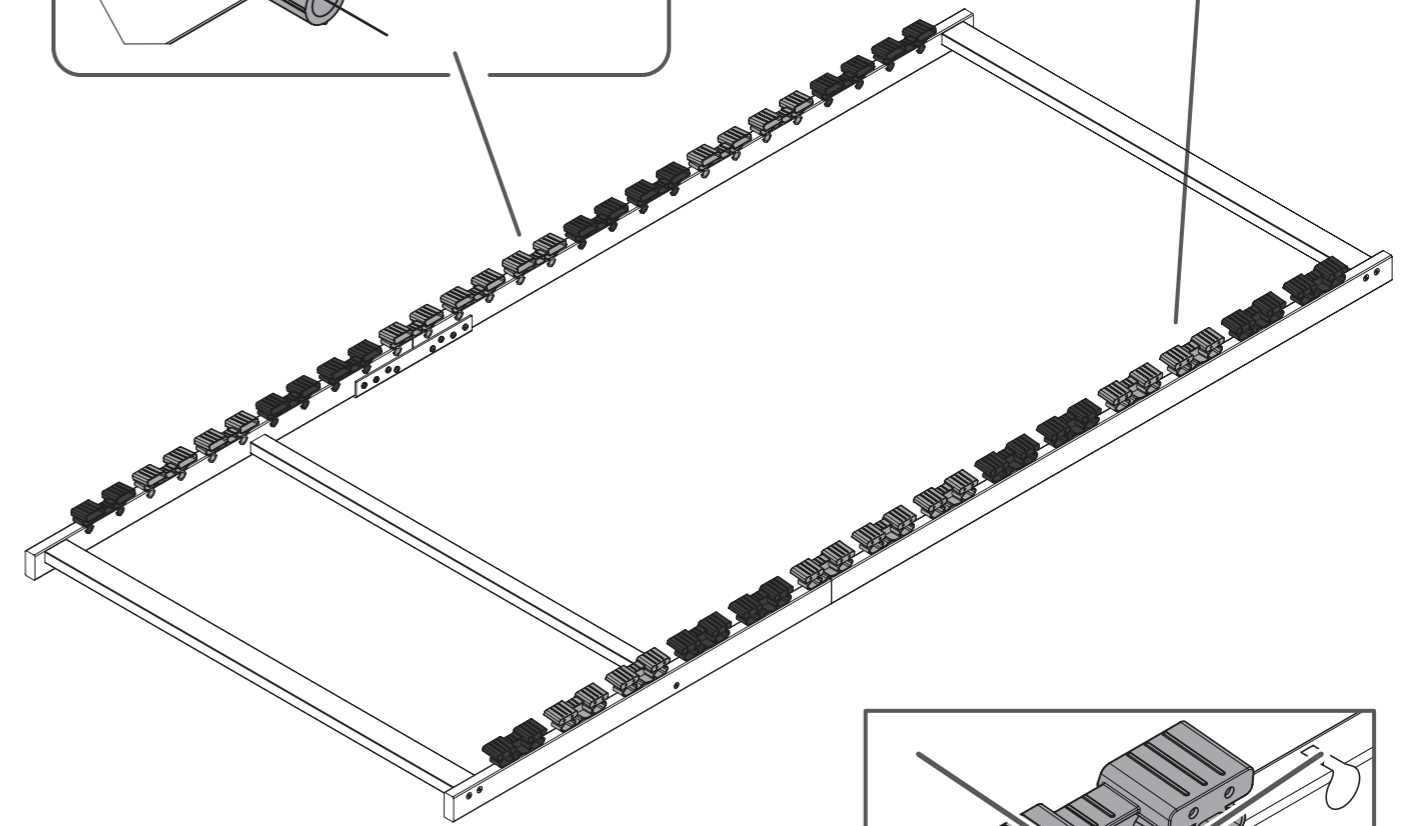
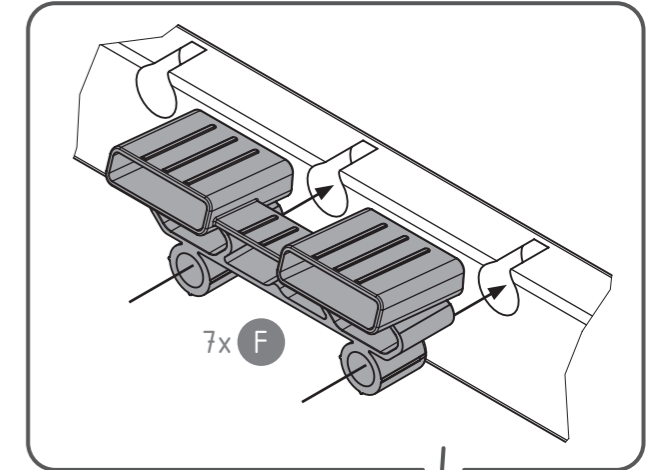
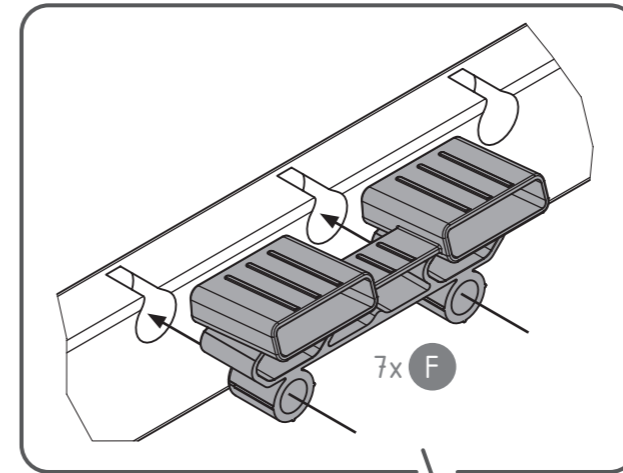
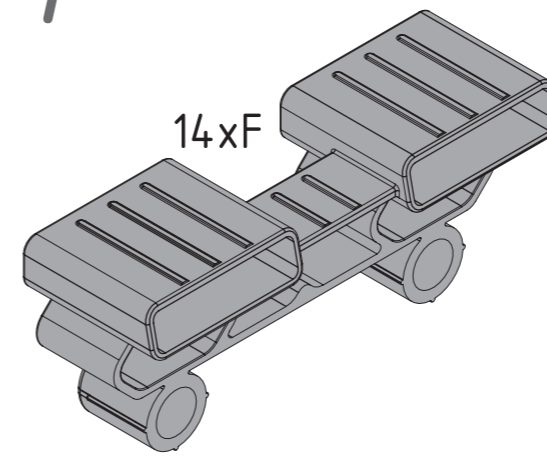
10xH



6

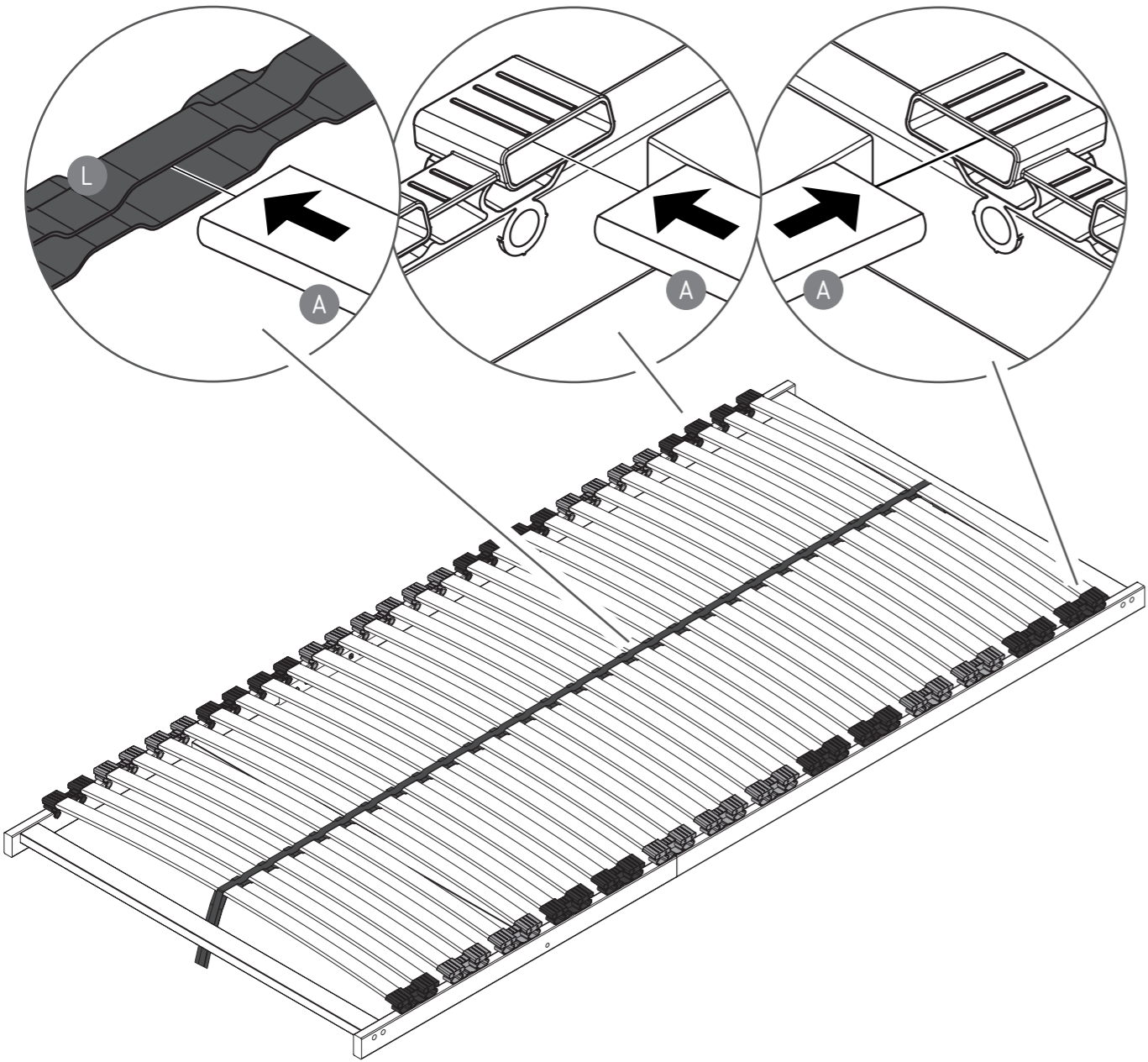
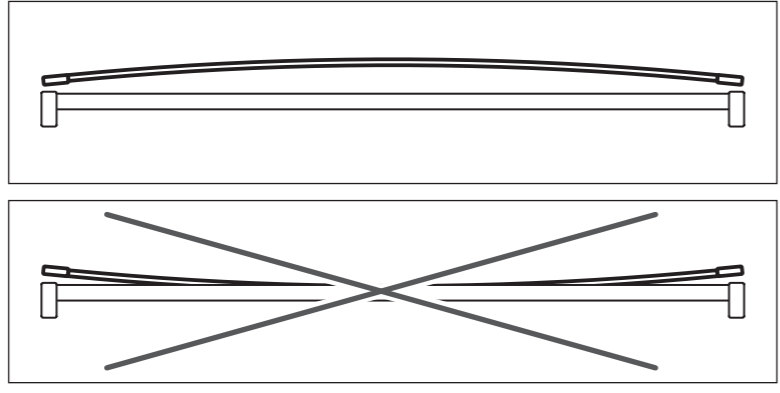
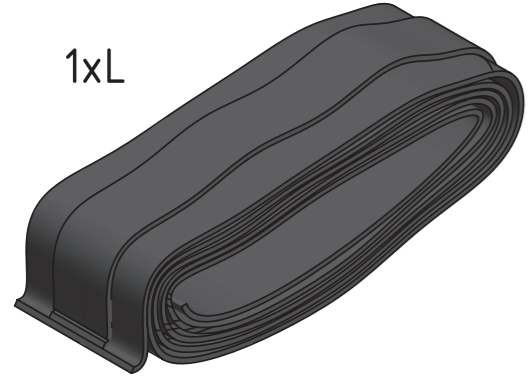


7



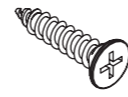
8

1xL



9

2xJ



2xK

