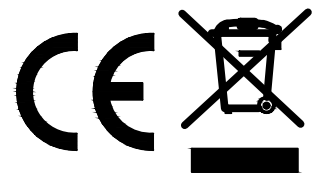
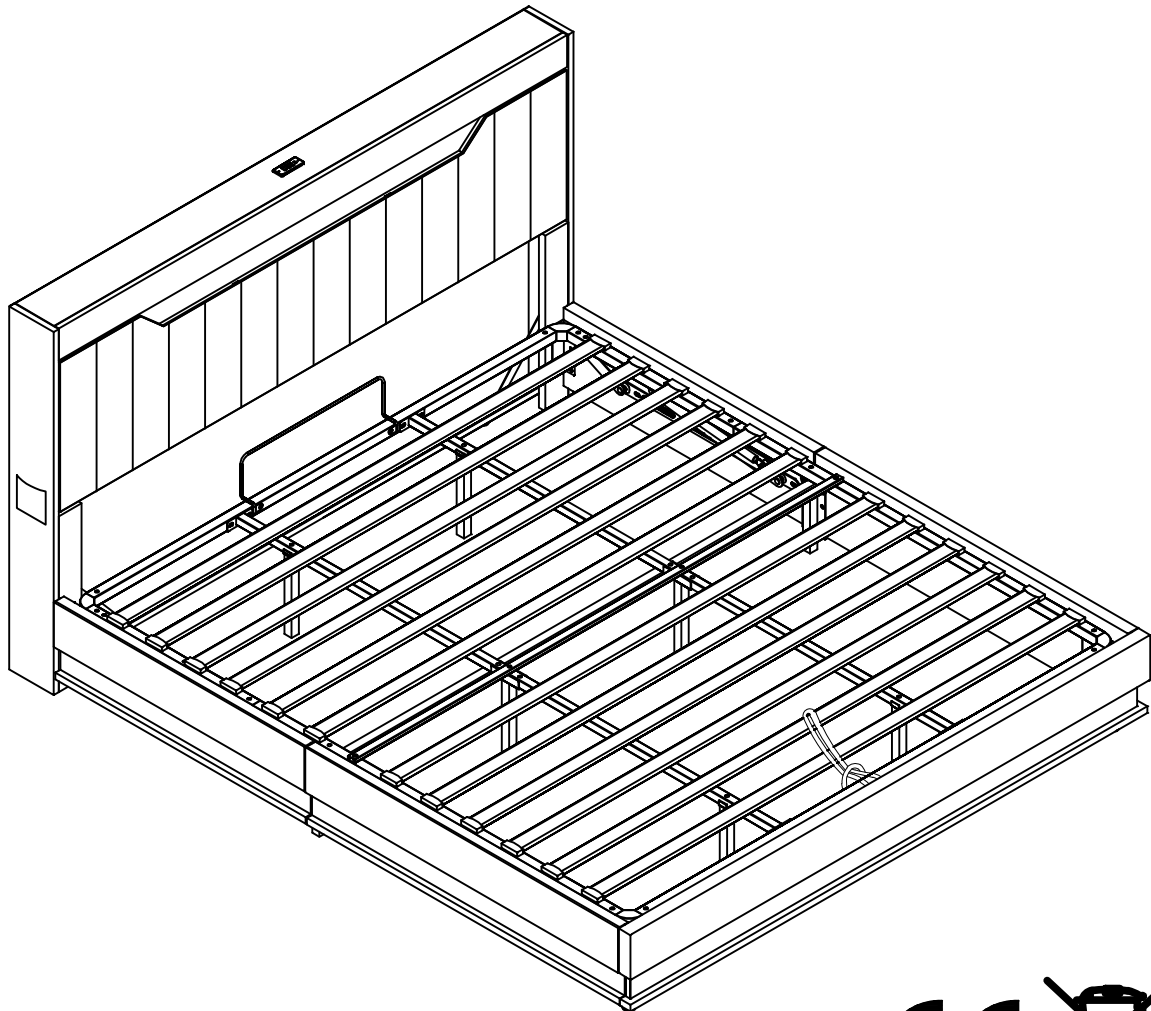


Montageanleitung | Instructions de montage Assembly Instructions | Instrucciones de montaje

SKU:N616P269671/N616P269672/N616P269673



- GB** This set comes in 3 boxes. If you do not receive a full set of 3 boxes, please contact our customer service.
- DE** Dieses Set wird in 3 Schachteln geliefert. Wenn Sie nicht ein komplettes Set von 3 Boxen erhalten, kontaktieren Sie bitte unseren Kundenservice.
- FR** Ce set est livré en 3 boîtes. Si vous ne recevez pas un jeu complet de 3 boîtes, veuillez contacter notre service clientèle.

English

IMPORTANT FOR GAS LIFT BEDS&MAINTAINANCE

- Please place the mattress on top of the bed frame.
- Please do not pull on the strap handles.
- Please press heavily to release the compressed gas.
- Periodically check all screw & fixings to ensure they are secure.
- When moving your product, carefully lift into place.
- Wipe clean with a slightly damp cloth- please do not use abrasive chemicals or bleach.
- Do NOT allow children to operate the lift mechanism.
- Do NOT allow children near the lift base when operating the mechanism.
- Do NOT stand inside the bed or the internal storage base.
- Do NOT overload the internal storage base.
- DO NOT jump on the product or any of its parts.

Deutsch

WICHTIG FÜR GASLIFT-BETTEN&WARTUNG

- Bitte legen Sie die Matratze oben auf den Bettrahmen.
- Bitte ziehen Sie nicht an den Gurtgriffen.
- Bitte drücken Sie kräftig, um das komprimierte Gas freizusetzen.
- Überprüfen Sie regelmäßig alle Schrauben und Befestigungen, um sicherzustellen, dass sie sicher sind.
- Wenn Sie Ihr Produkt bewegen, heben Sie es vorsichtig an seinen Platz.
- Mit einem leicht feuchten Tuch abwischen - bitte keine scheuernden Chemikalien oder Bleichmittel verwenden.
- Erlauben Sie Kindern NICHT, den Hebemechanismus zu bedienen.
- Lassen Sie Kinder NICHT in die Nähe des Liftsockels, wenn Sie den Mechanismus bedienen.
- Stellen Sie sich NICHT in das Bett oder in die Innenablage.
- Überlasten Sie den internen Liftsockel NICHT.
- Springen Sie NICHT auf das Produkt oder eines seiner Teile.

Français

IMPORTANT POUR LES LITS À RELEVAGE DE GAZ&MAINTENANCE

- Veuillez placer le matelas sur le dessus du cadre de lit.
- Ne tirez pas sur les poignées de la sangle.
- Appuyez fortement pour libérer le gaz comprimé.
- Vérifiez régulièrement que toutes les vis et fixations sont bien en place.
- Lorsque vous déplacez votre produit, soulevez-le avec précaution pour le mettre en place.
- Nettoyez avec un chiffon légèrement humide - n'utilisez pas de produits chimiques abrasifs ou d'eau de Javel.
- Ne laissez pas les enfants utiliser le mécanisme de levage.
- Ne laissez pas les enfants s'approcher de la base de levage lorsqu'ils actionnent le mécanisme.
- Ne vous tenez PAS à l'intérieur du lit ou de la base de stockage interne.
- Ne surchargez pas la base de stockage interne.
- Ne pas sauter sur le produit ou l'une de ses parties.

Italiano

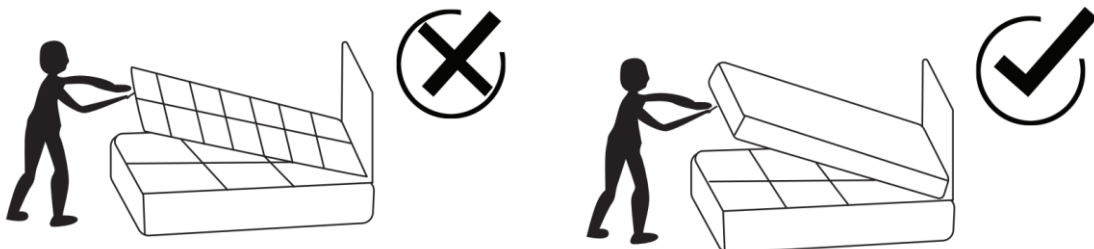
IMPORTANTE PER I LETTI CON SOLLEVAMENTO A GAS E LA MANUTENZIONE

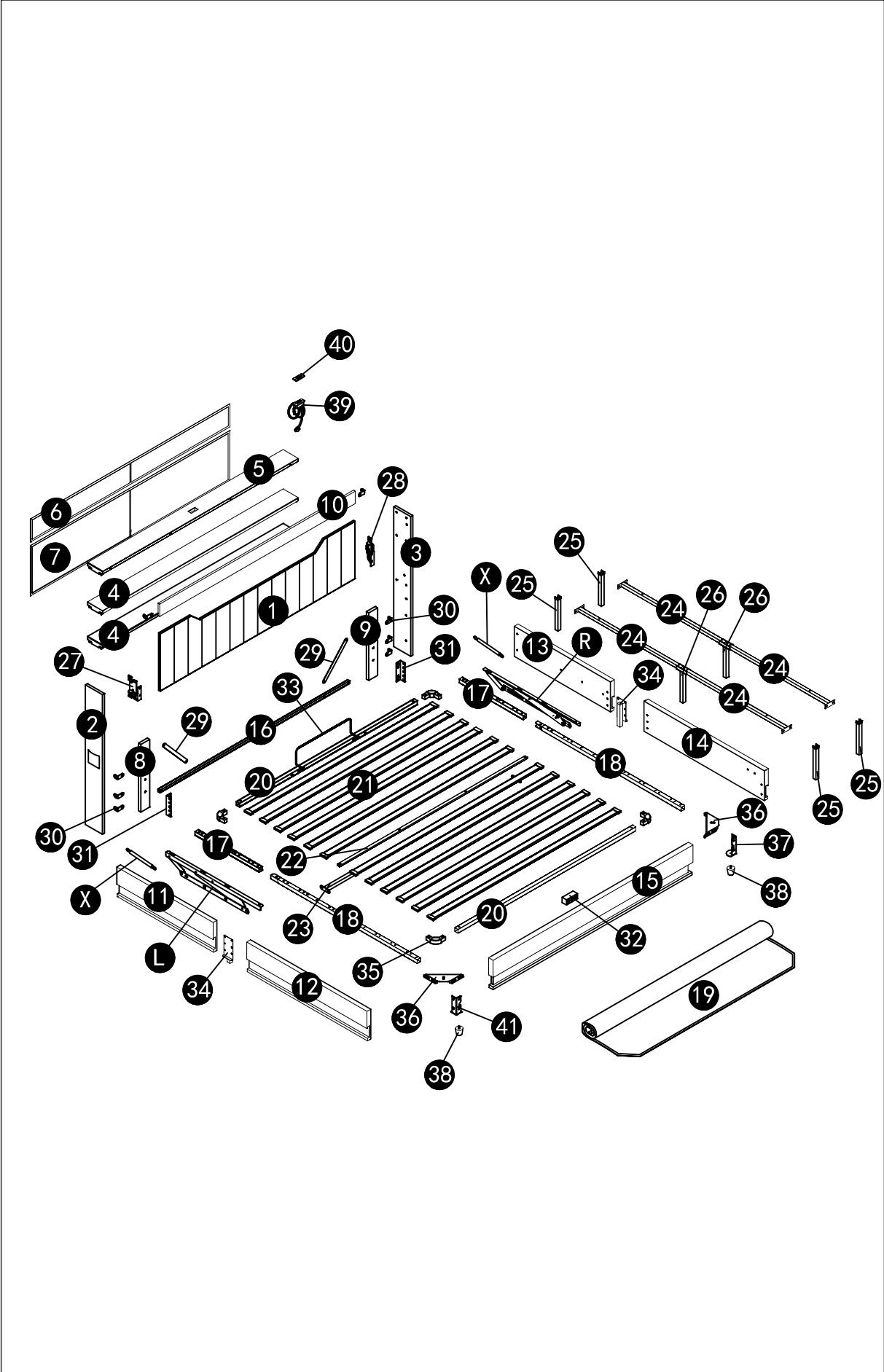
- Posizionare il materasso sopra la struttura del letto.
- Non tirare le maniglie della cinghia.
- Premere con forza per rilasciare il gas compresso.
- Controllare periodicamente tutte le viti e i fissaggi per assicurarsi che siano saldi.
- Quando si sposta il prodotto, sollevarlo con cautela.
- Pulire con un panno leggermente umido, senza usare prodotti chimici abrasivi o candeggina.
- NON permettere ai bambini di azionare il meccanismo di sollevamento.
- NON permettere ai bambini di avvicinarsi alla base di sollevamento quando si aziona il meccanismo.
- NON sostare all'interno del letto o della base di contenimento interna.
- NON sovraccaricare la base di contenimento interna.
- NON saltare sul prodotto o sulle sue parti.

Español

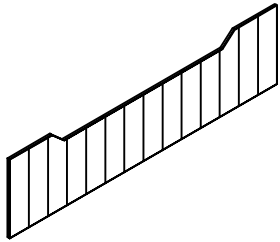
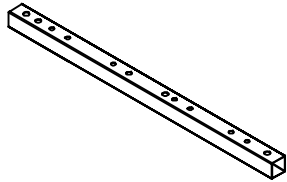
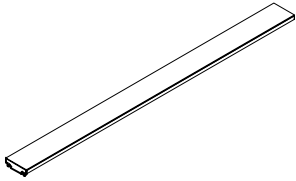
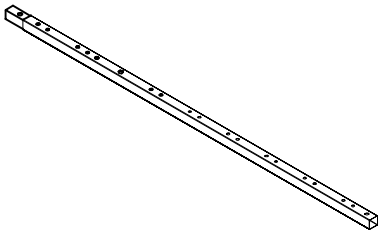
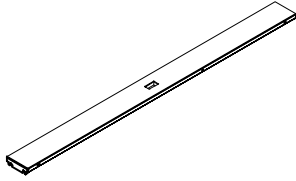
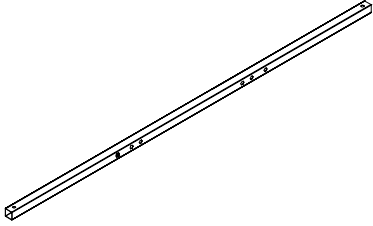
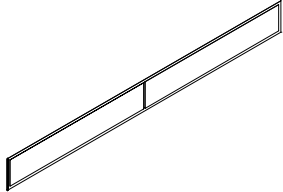
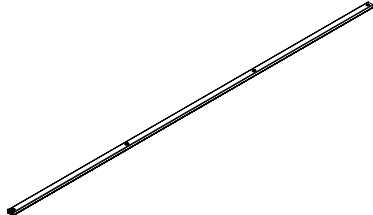
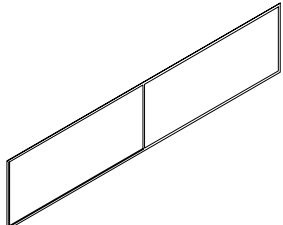
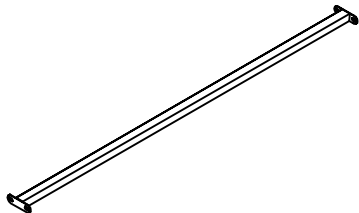
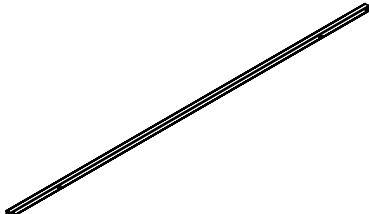
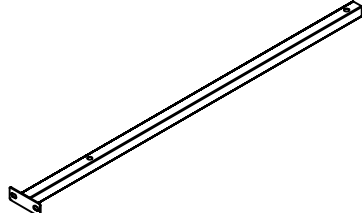
IMPORTANTE PARA LAS CAMAS ELEVADORAS DE GAS&MANTENIMIENTO

- Coloque el colchón sobre el somier.
- No tire de las asas de la correa.
- Presione con fuerza para liberar el gas comprimido.
- Compruebe periódicamente que todos los tornillos y fijaciones estén bien sujetos.
- Al mover el producto, levántelo con cuidado para colocarlo en su sitio.
- Limpie con un paño ligeramente humedecido; no utilice productos químicos abrasivos ni lejía.
- NO permita que los niños accionen el mecanismo de elevación.
- NO permita que los niños se acerquen a la base elevadora cuando accionen el mecanismo.
- NO se ponga de pie dentro de la cama o de la base de almacenamiento interna.
- NO sobrecargue el somier.
- NO salte sobre el producto ni sobre ninguna de sus piezas.

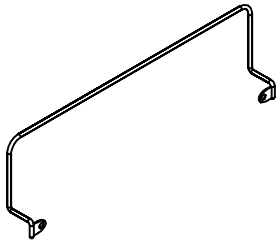




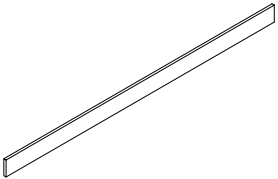
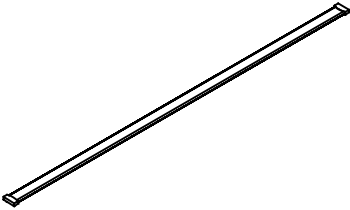
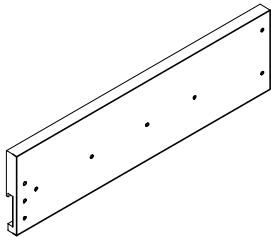
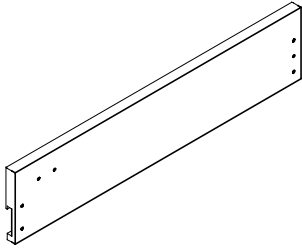
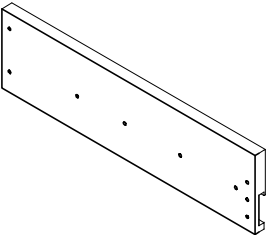
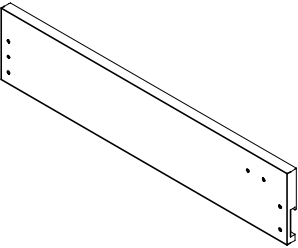
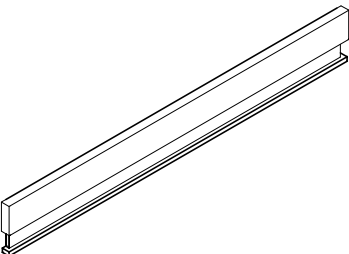
N616P269671

<p>1</p>		<p>X1</p>	<p>17</p>		<p>X2</p>
<p>4</p>		<p>X2</p>	<p>18</p>		<p>X2</p>
<p>5</p>		<p>X1</p>	<p>20</p>		<p>X2</p>
<p>6</p>		<p>X1</p>	<p>22</p>		<p>X1</p>
<p>7</p>		<p>X1</p>	<p>23</p>		<p>X1</p>
<p>16</p>		<p>X1</p>	<p>24</p>		<p>X4</p>

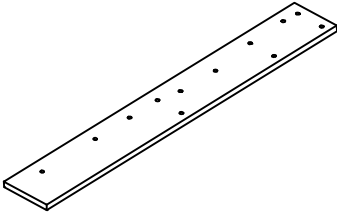
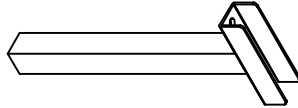
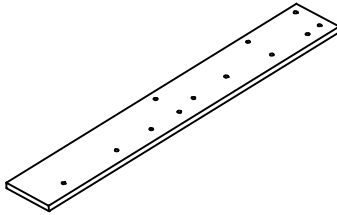
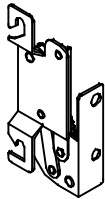
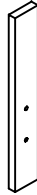


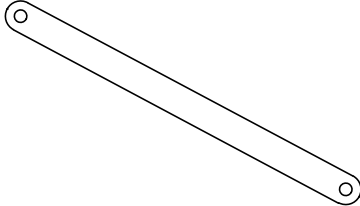
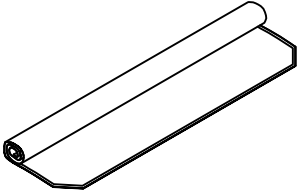
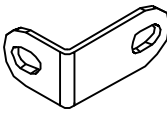
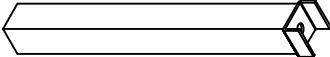
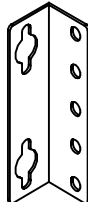
N616P269671

33		X1			

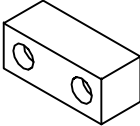
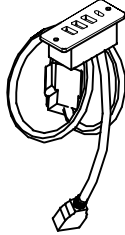
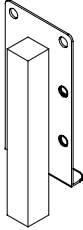
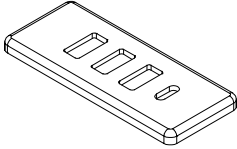
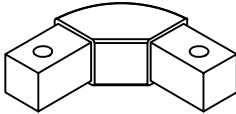

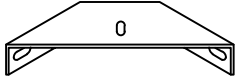
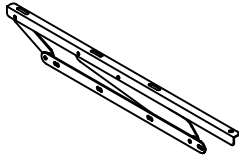

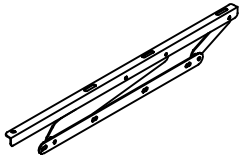
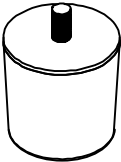
N616P269672

<p>10</p>		<p>X1</p>	<p>21</p>		<p>X12</p>
<p>11</p>		<p>X1</p>			
<p>12</p>		<p>X1</p>			
<p>13</p>		<p>X1</p>			
<p>14</p>		<p>X1</p>			
<p>15</p>		<p>X1</p>			


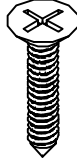
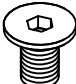
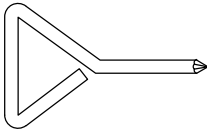
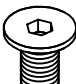
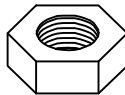
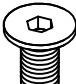

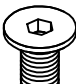
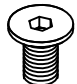
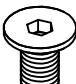
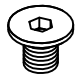
N616P269673

<p>2</p>		<p>X1</p>	<p>26</p>		<p>X2</p>
<p>3</p>		<p>X1</p>	<p>27</p>		<p>X1</p>
<p>8</p>		<p>X1</p>	<p>28</p>		<p>X1</p>
<p>9</p>		<p>X1</p>	<p>29</p>		<p>X2</p>
<p>19</p>		<p>X1</p>	<p>30</p>		<p>X8</p>
<p>25</p>		<p>X4</p>	<p>31</p>		<p>X2</p>

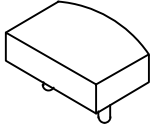
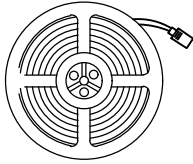

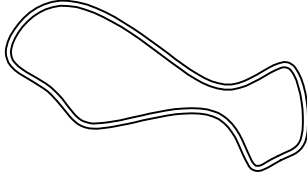
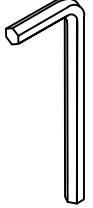
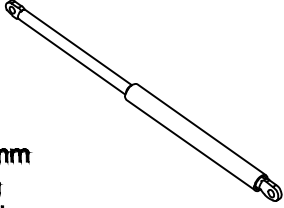
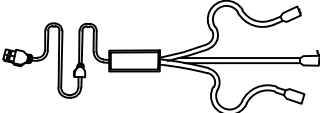
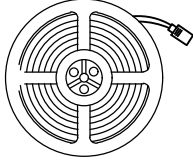
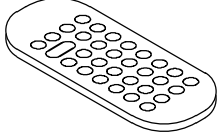
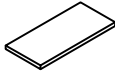
N616P269673

<p>32</p>		<p>X1</p>	<p>39</p>		<p>X1</p>
<p>34</p>		<p>X2</p>	<p>40</p>		<p>X1</p>
<p>35</p>		<p>X4</p>	<p>41</p>		<p>X1</p>
<p>36</p>		<p>X2</p>	<p>L</p>		<p>X1</p>
<p>37</p>		<p>X1</p>	<p>R</p>		<p>X1</p>
<p>38</p>		<p>X2</p>			

N616P269673

<p>A</p>	 <p>M8*12</p>	<p>X8+1</p>	<p>H</p>	 <p>M4*12</p>	<p>X2+1</p>
<p>B</p>	 <p>M8*15</p>	<p>X42+2</p>	<p>I</p>	 	<p>X1</p>
<p>C</p>	 <p>M8*20</p>	<p>X52+2</p>	<p>J</p>	 <p>M8</p>	<p>X12+1</p>
<p>D</p>	 <p>M8*35</p>	<p>X8+1</p>	<p>L</p>	 <p>M6</p>	<p>X1</p>
<p>E</p>	 <p>M8*40</p>	<p>X4+1</p>	<p>N</p>	 <p>M6*20</p>	<p>X4+1</p>
<p>F</p>	 <p>M8*50</p>	<p>X10+1</p>	<p>M</p>	 <p>M6*15</p>	<p>X2+1</p>

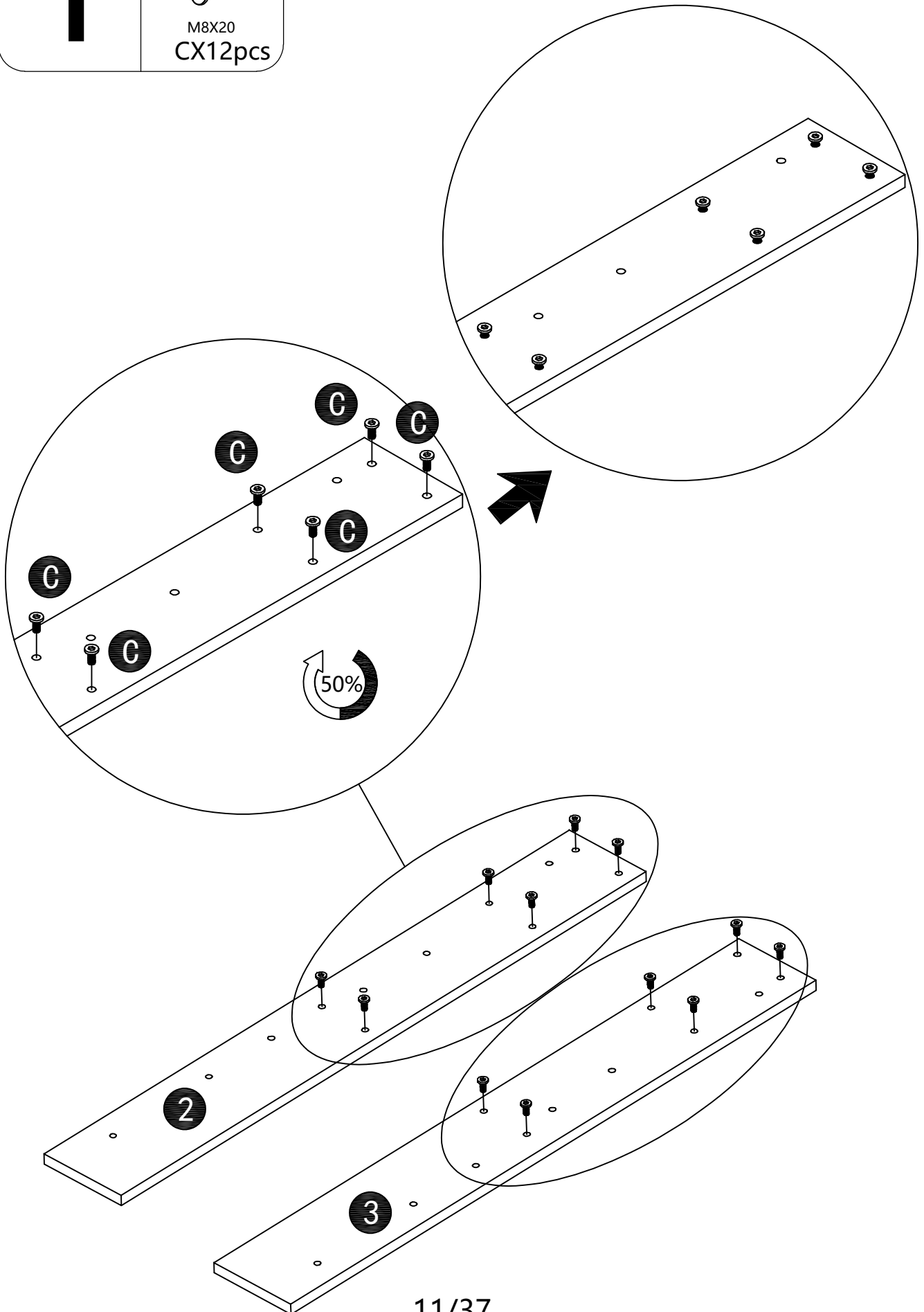
N616P269673

<p>P</p>		<p>X24</p>	<p>V</p>	 <p>Long light strip</p>	<p>X2</p>
<p>Q</p>		<p>X1</p>	<p>W</p>		<p>X1</p>
<p>R</p>	 <p>M8</p>	<p>X1</p>	<p>X</p>	 <p>400mm 9mm 750N</p>	<p>X2</p>
<p>S</p>	 <p>Power cord</p>	<p>X1</p>	<p>Z</p>	 <p>Short light strip</p>	<p>X1</p>
<p>T</p>	 <p>Remote control</p>	<p>X1</p>			
<p>U</p>		<p>X4</p>			

1



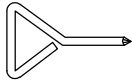
M8X20
CX12pcs



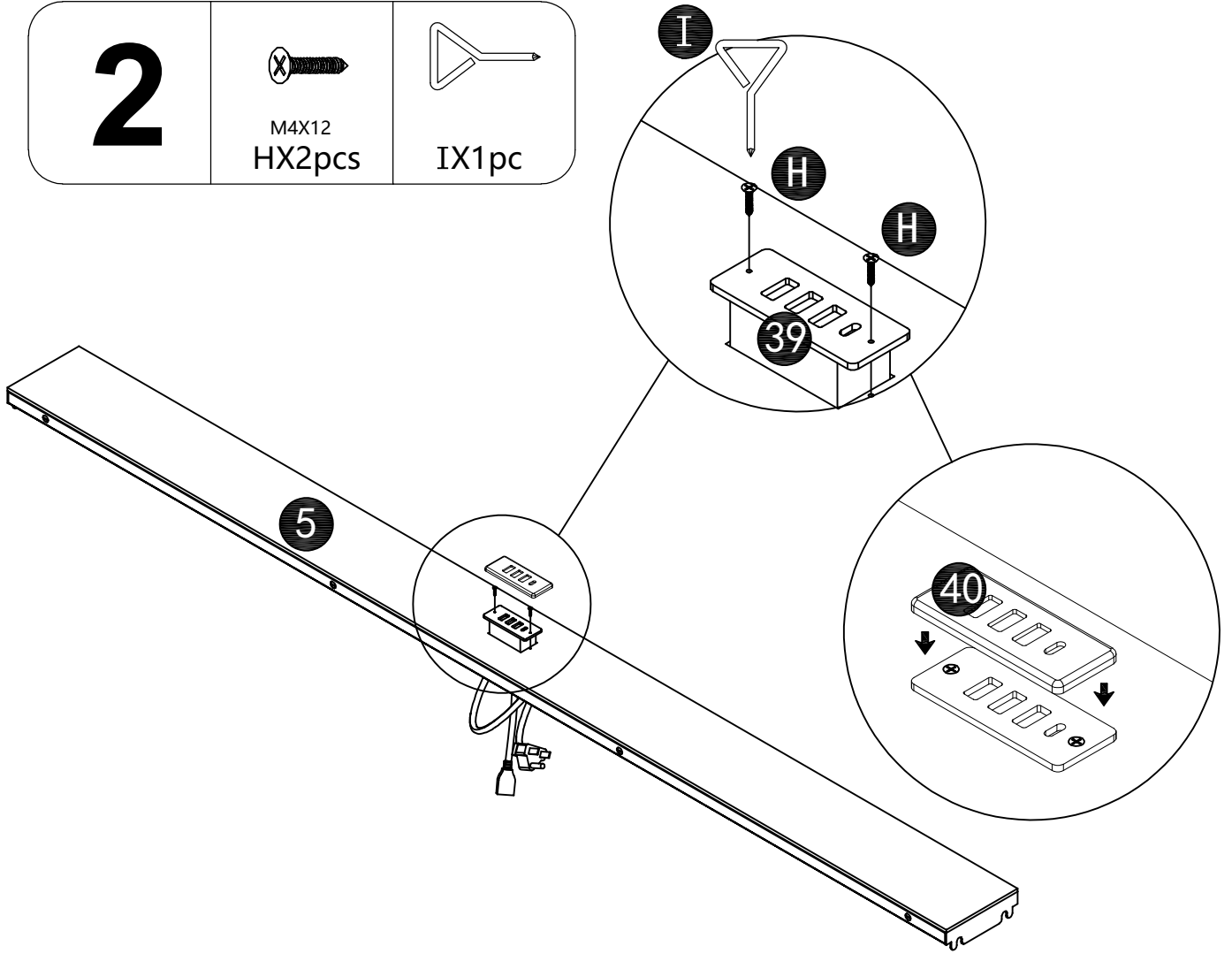
2



M4X12
HX2pcs



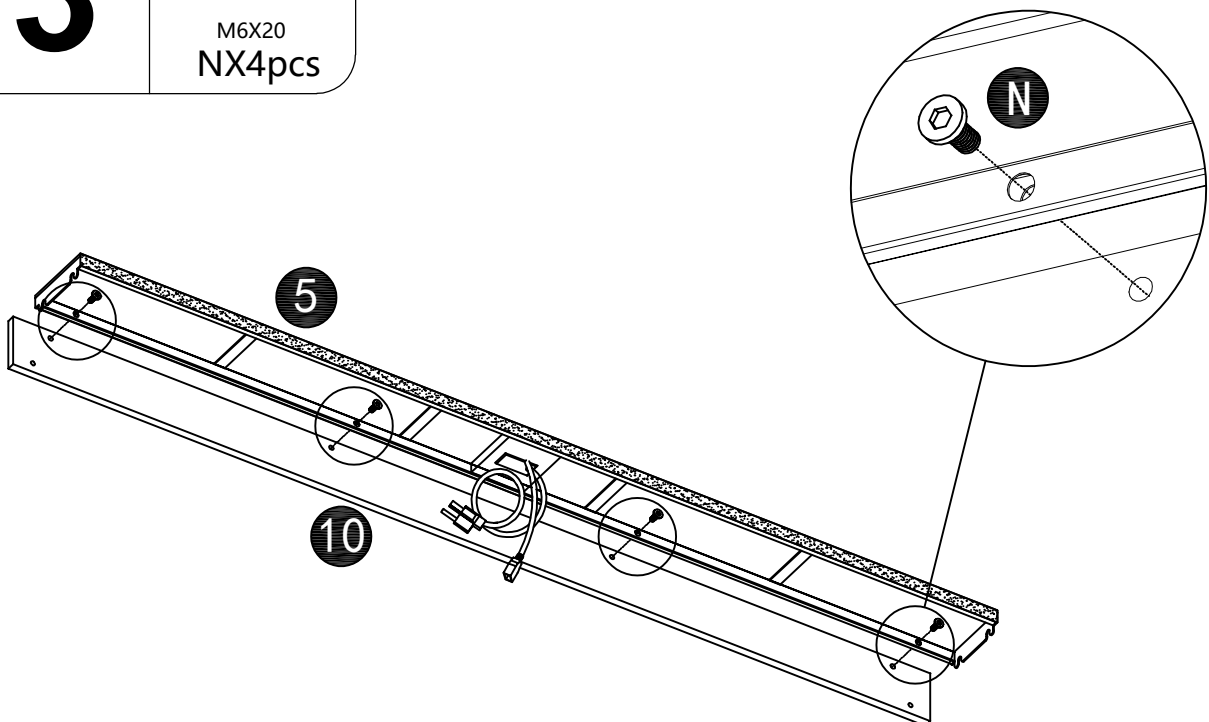
IX1pc



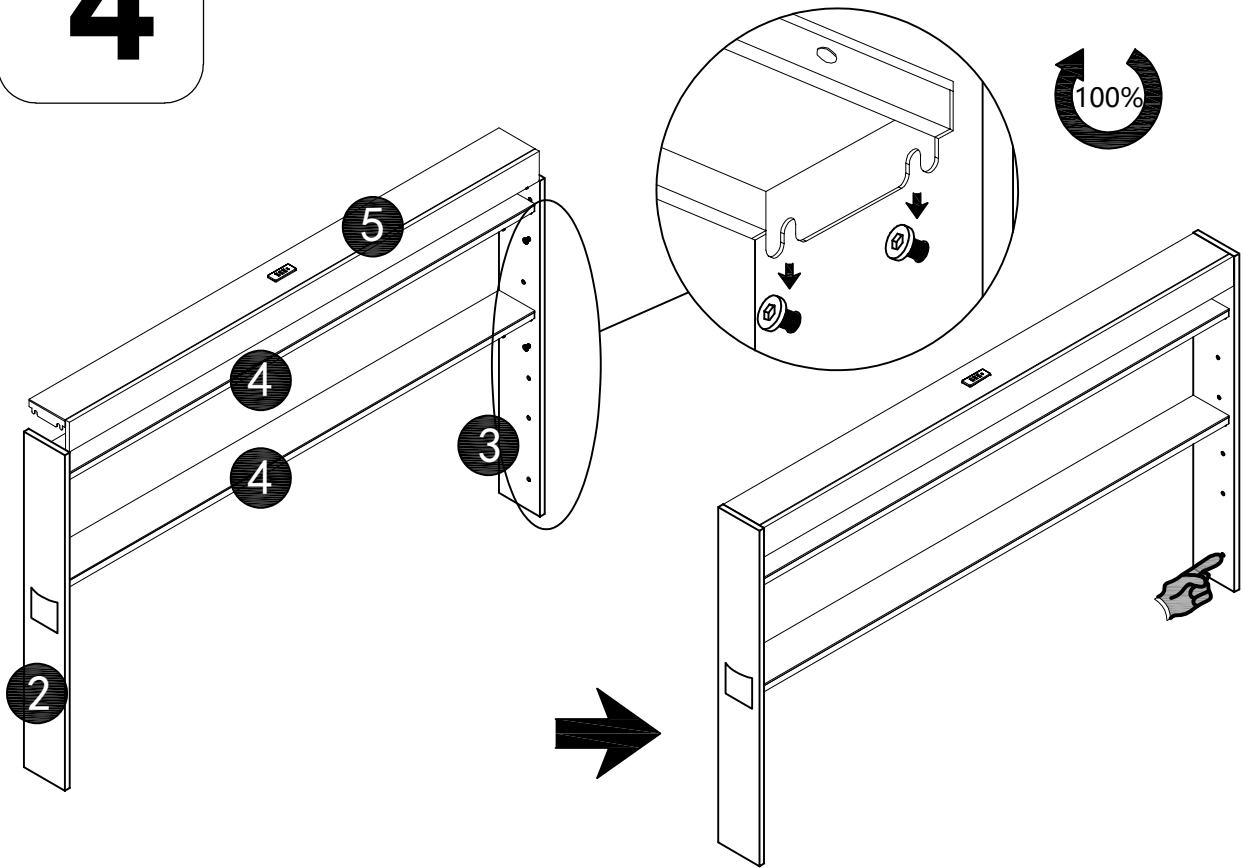
3



M6X20
NX4pcs

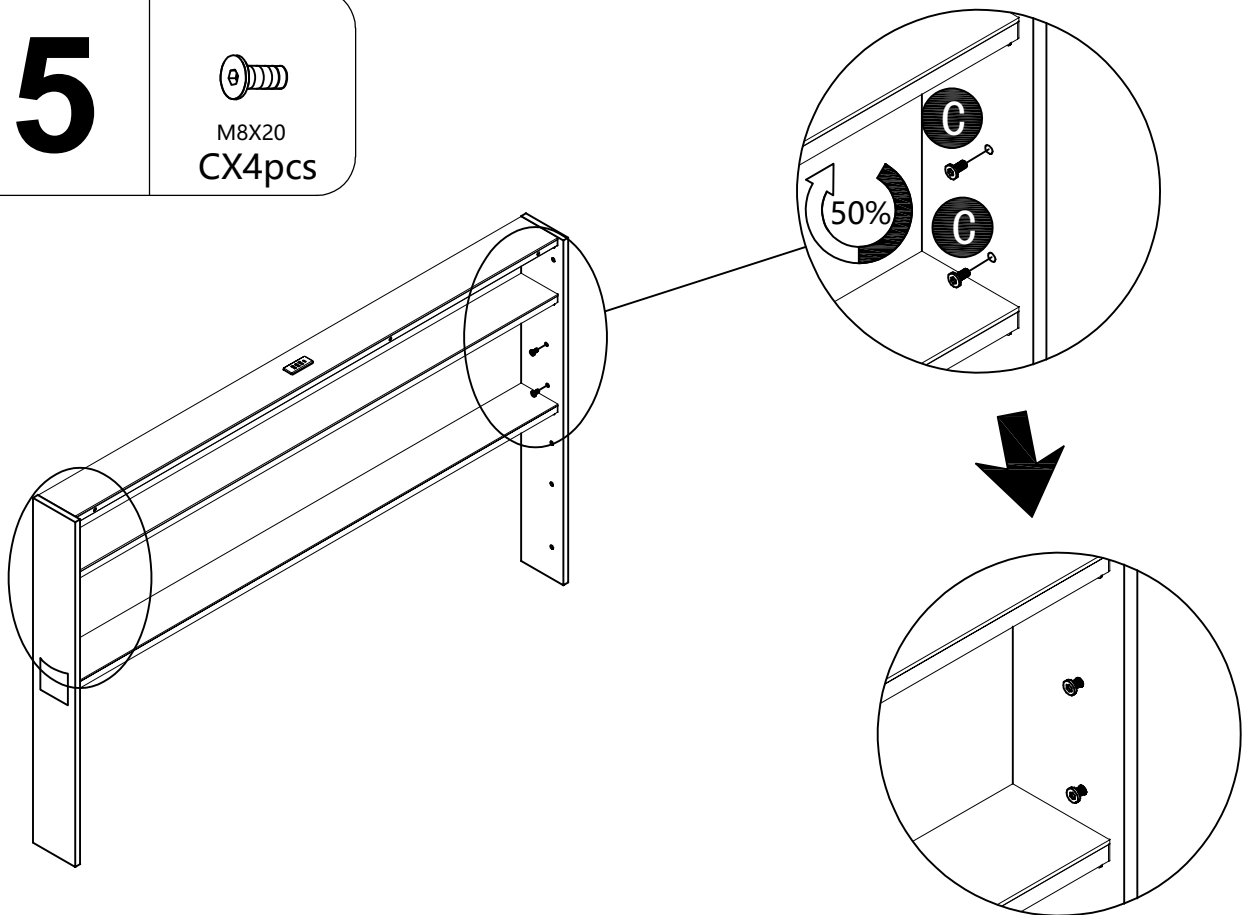


4

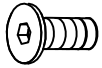


5

M8X20
CX4pcs



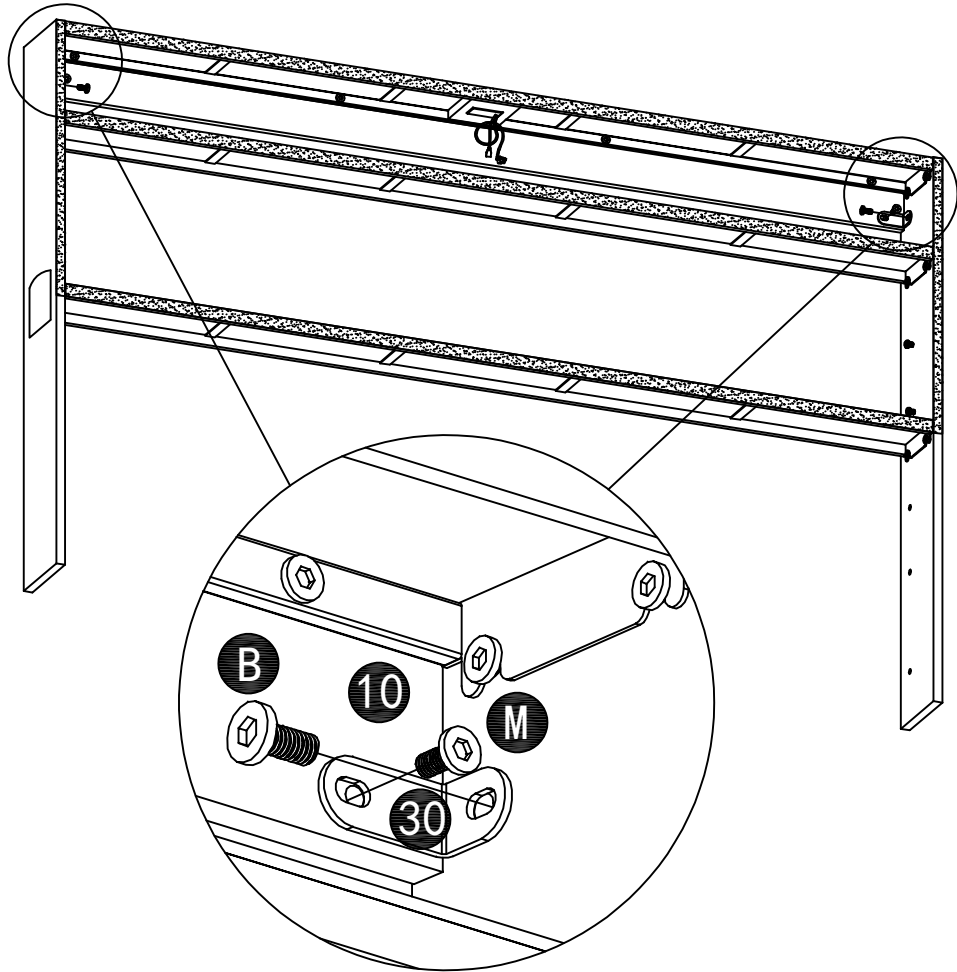
6



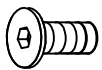
M8X15
BX2pcs



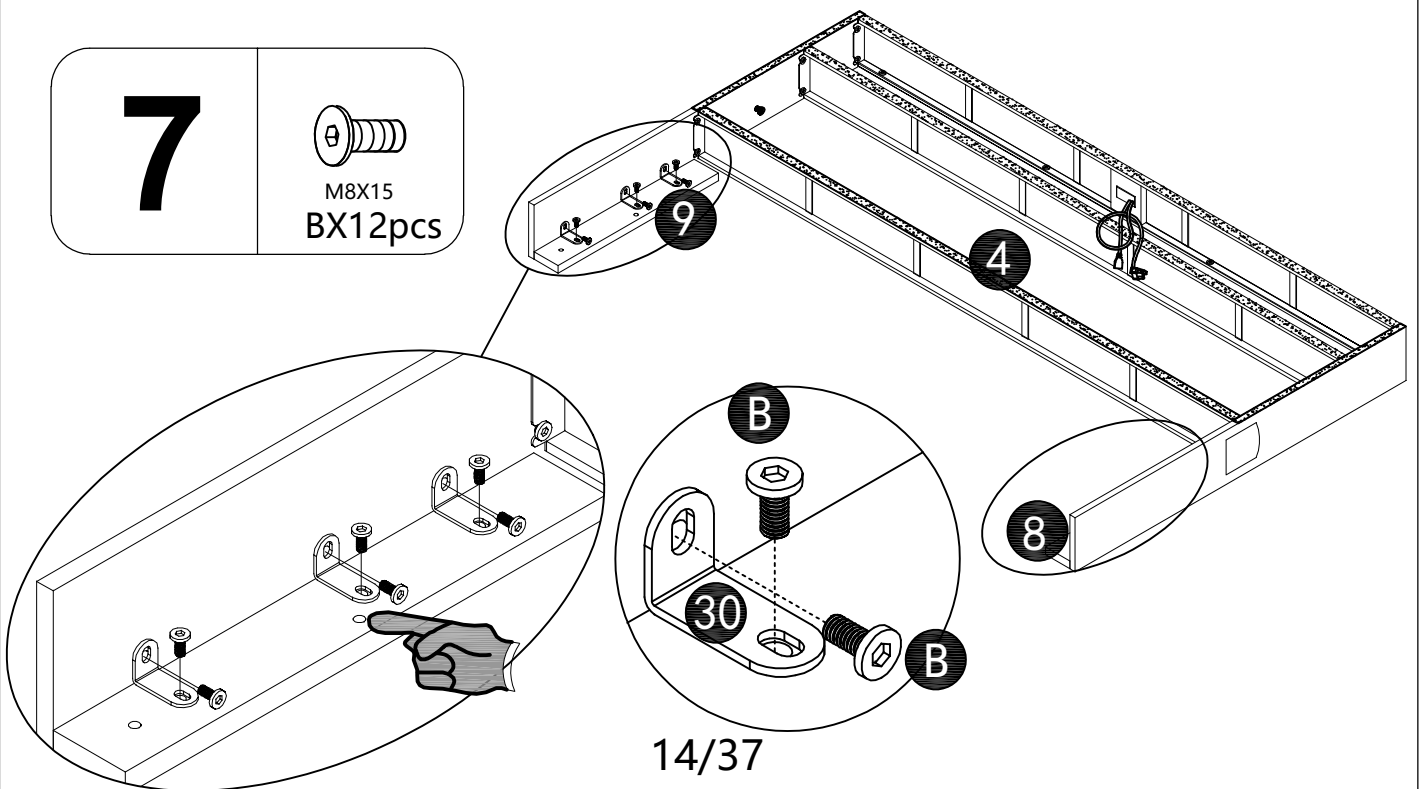
M6X15
MX2pcs



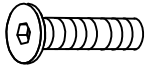
7



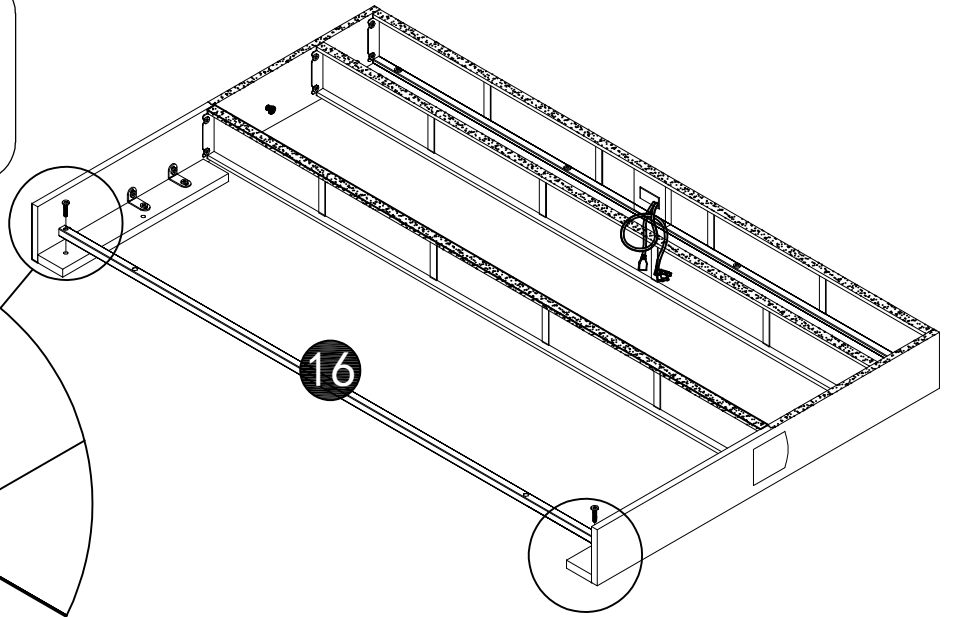
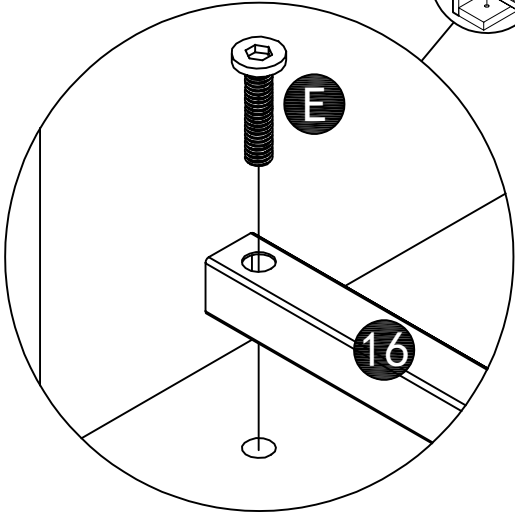
M8X15
BX12pcs



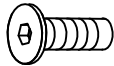
8



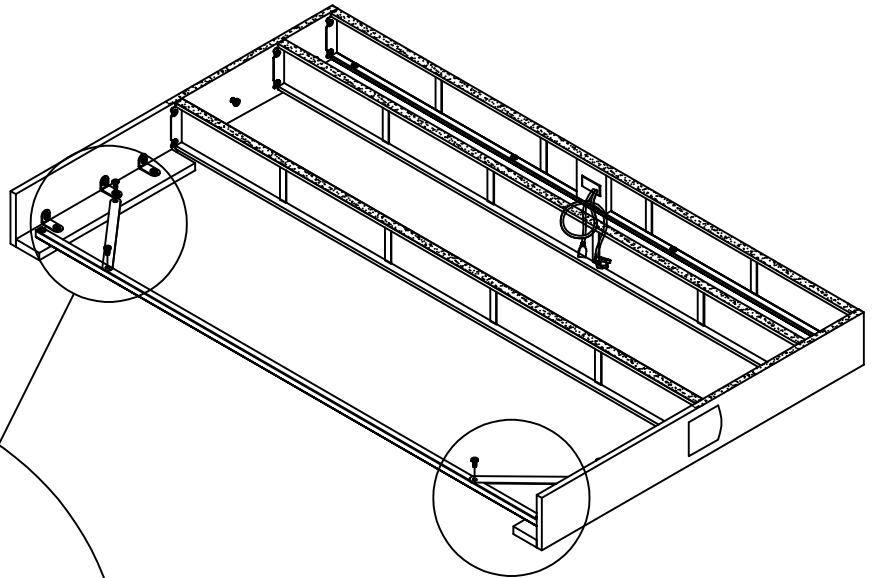
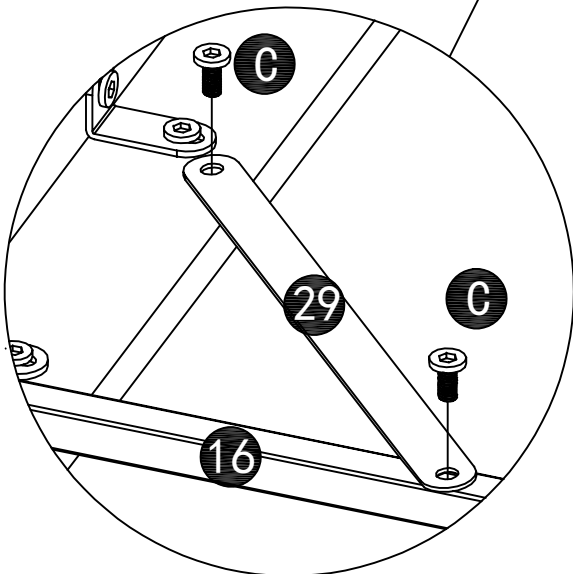
M8X40
EX2pcs



9



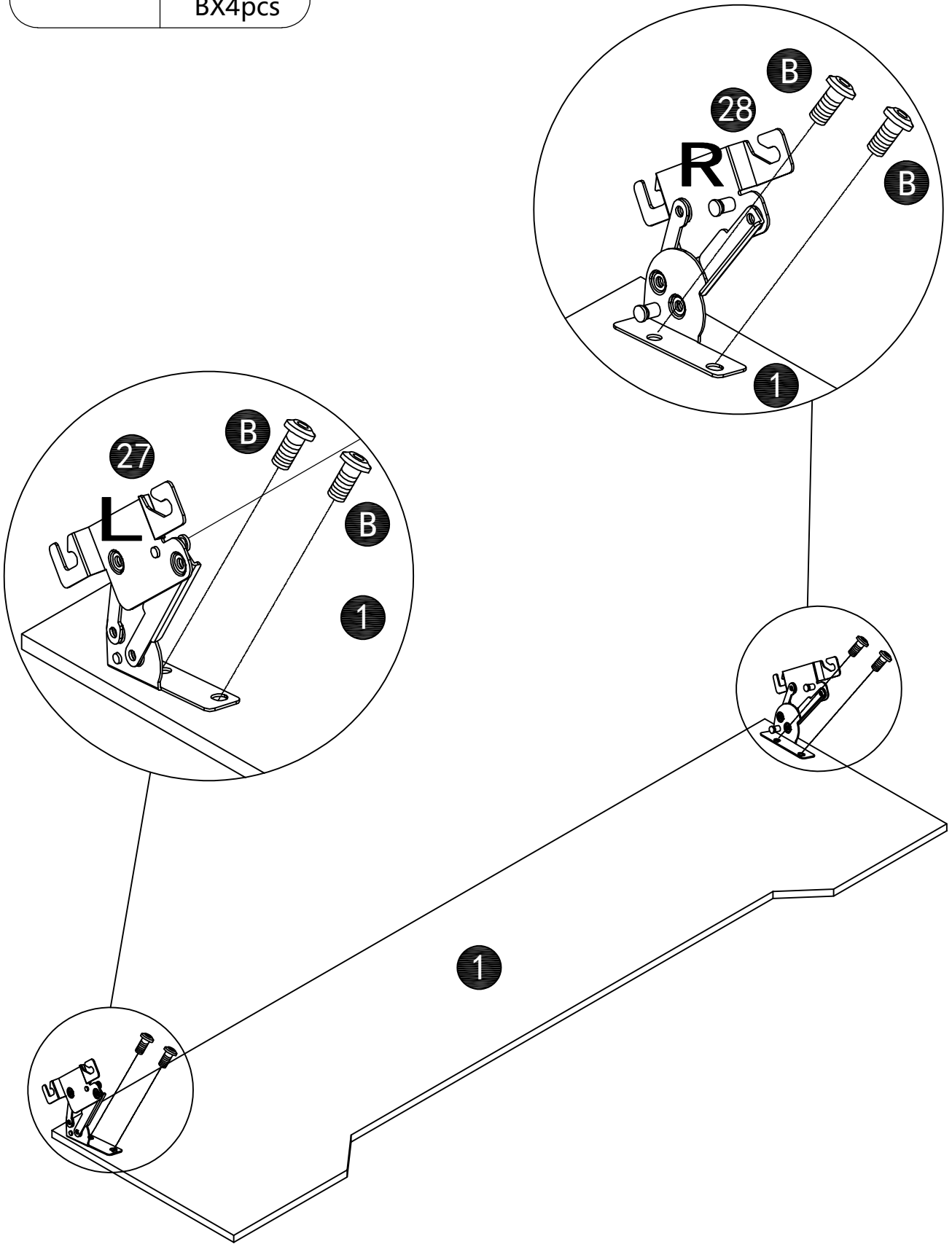
M8X20
CX4pcs



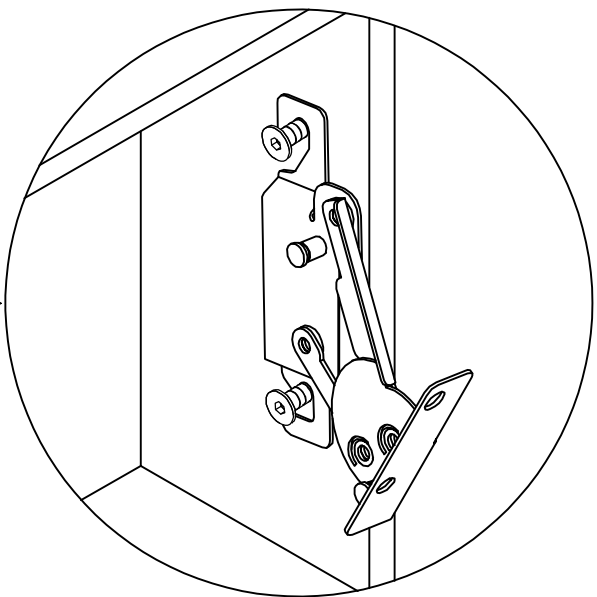
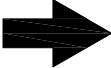
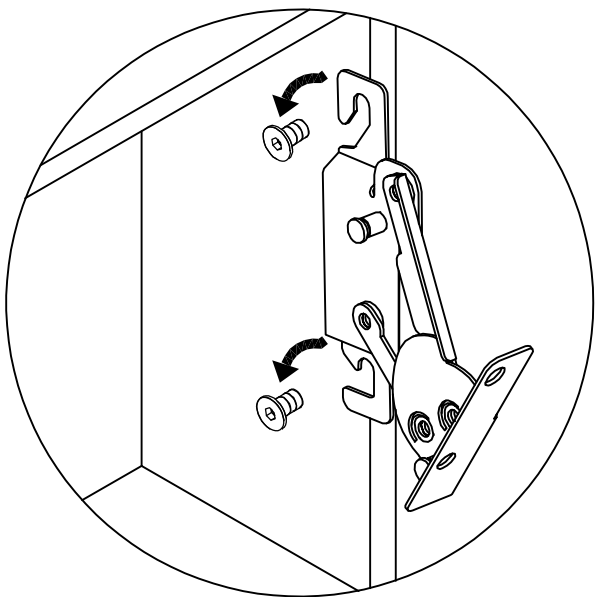
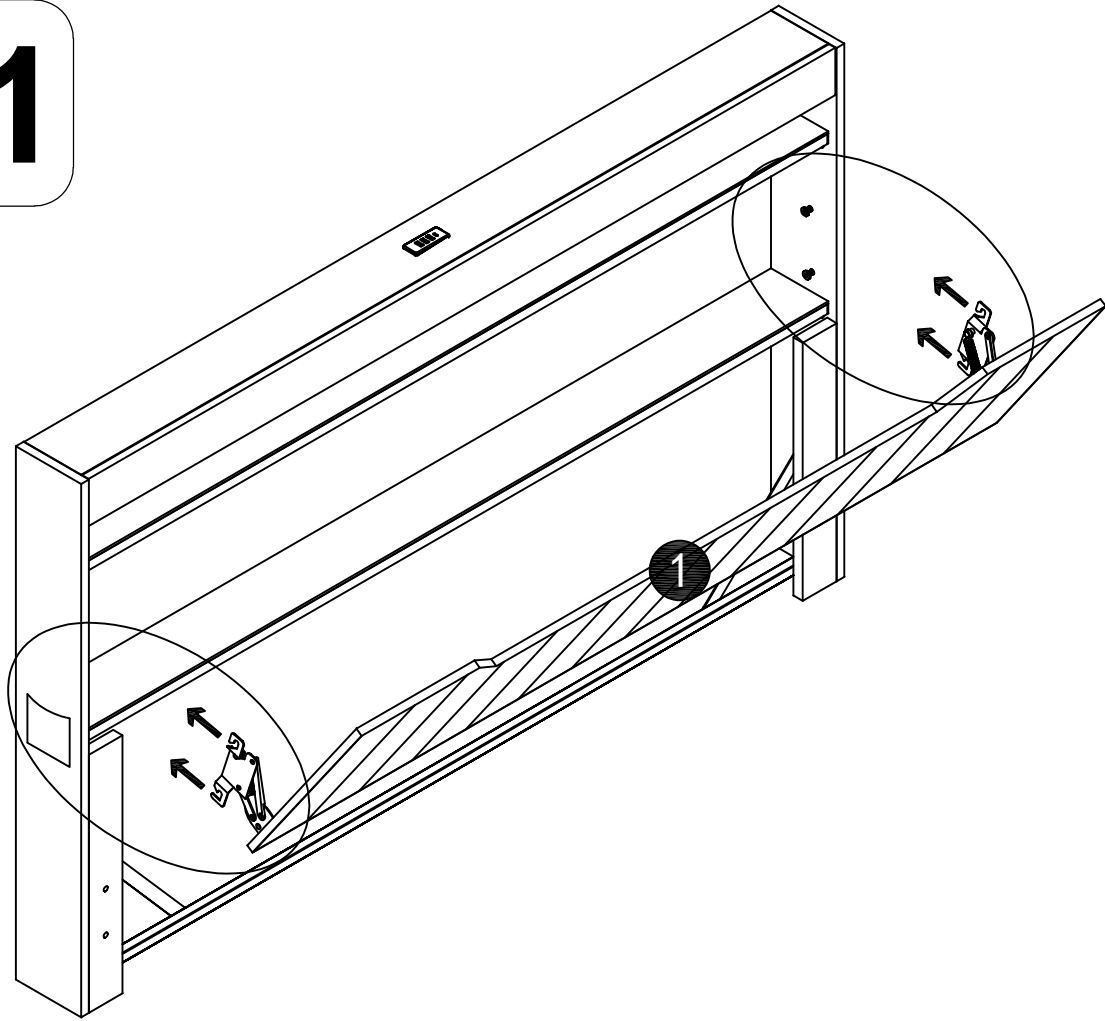
10

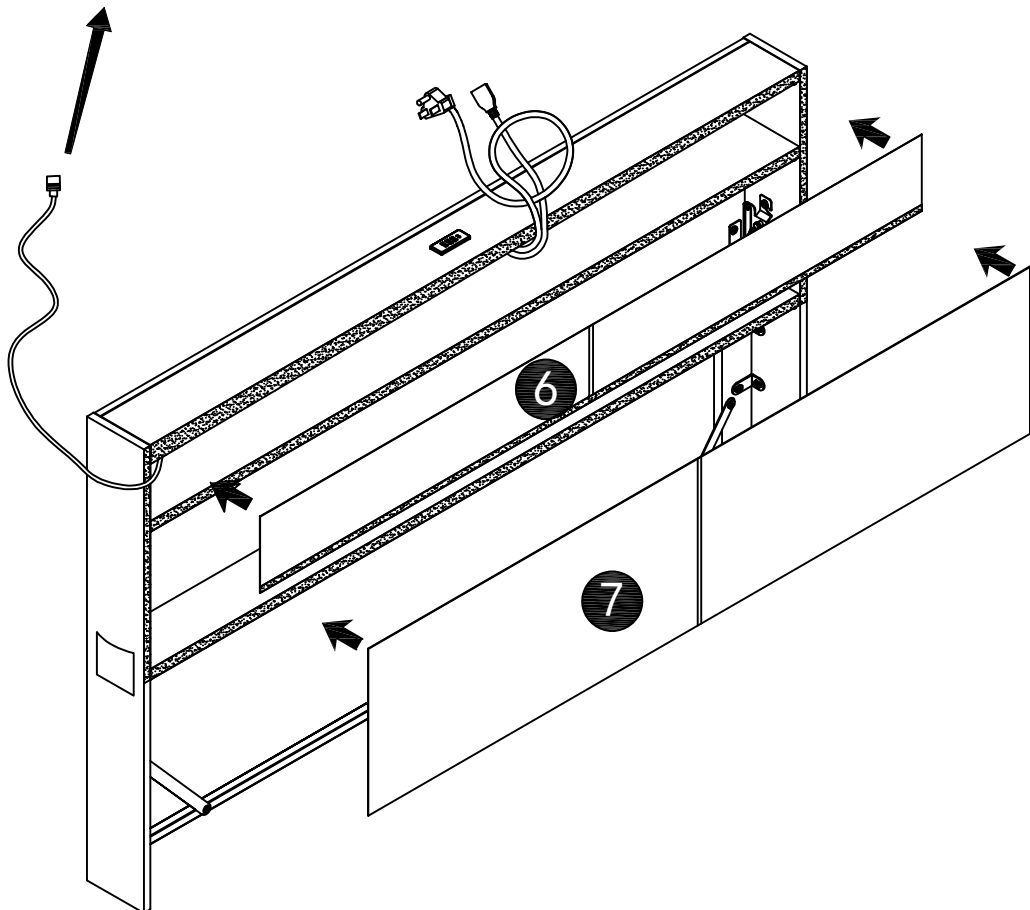
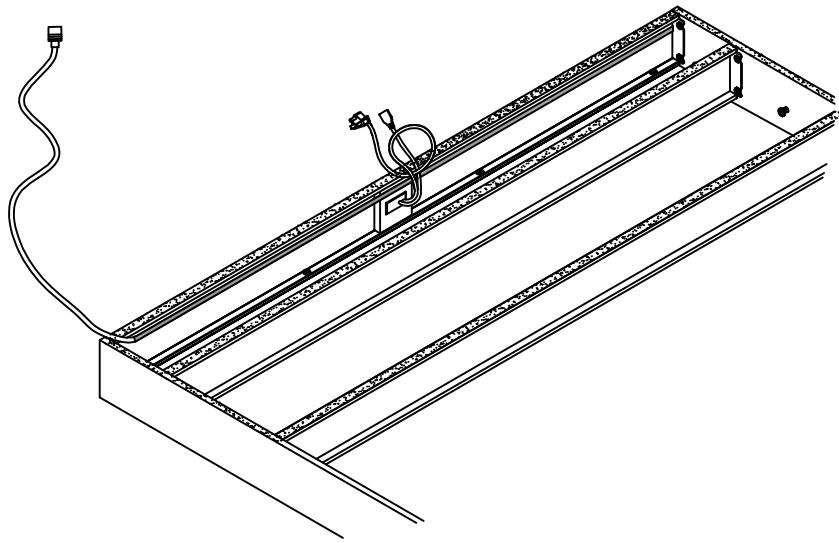
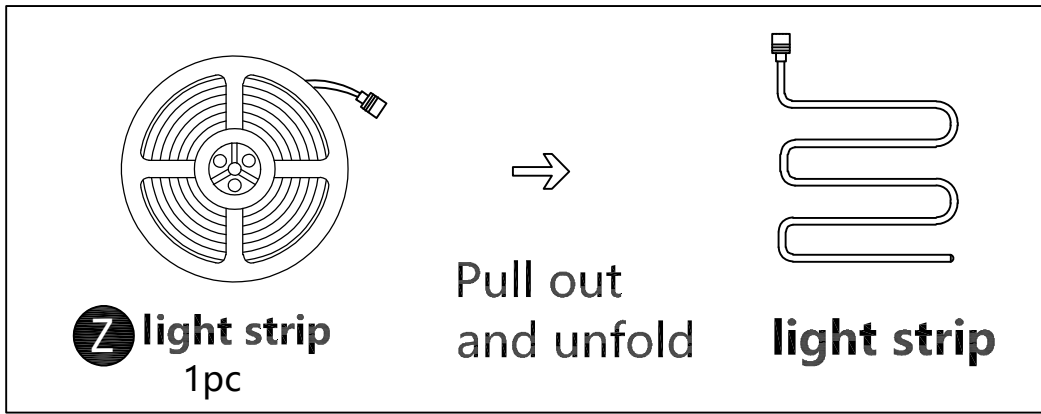


M8X15
BX4pcs



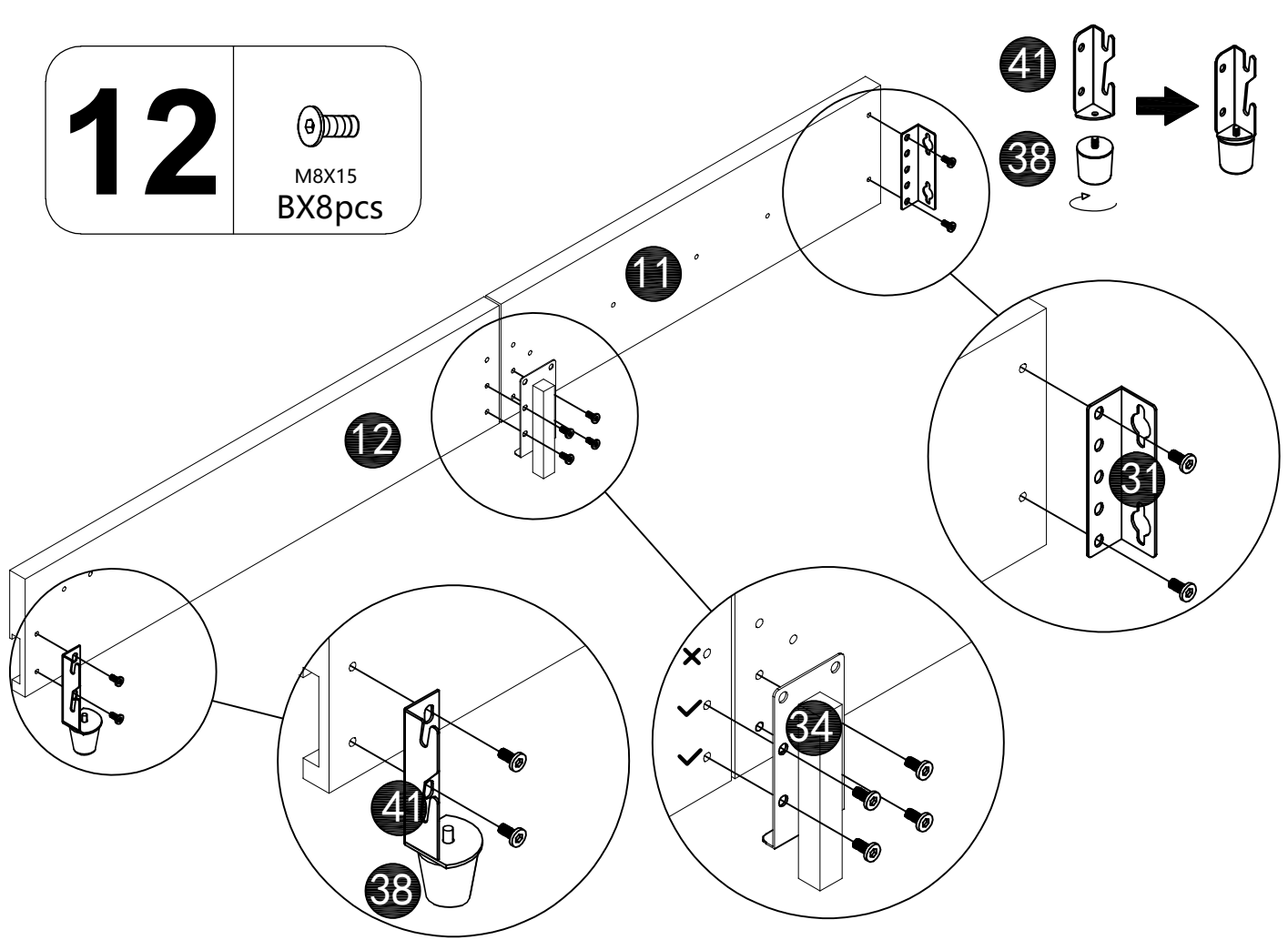
11





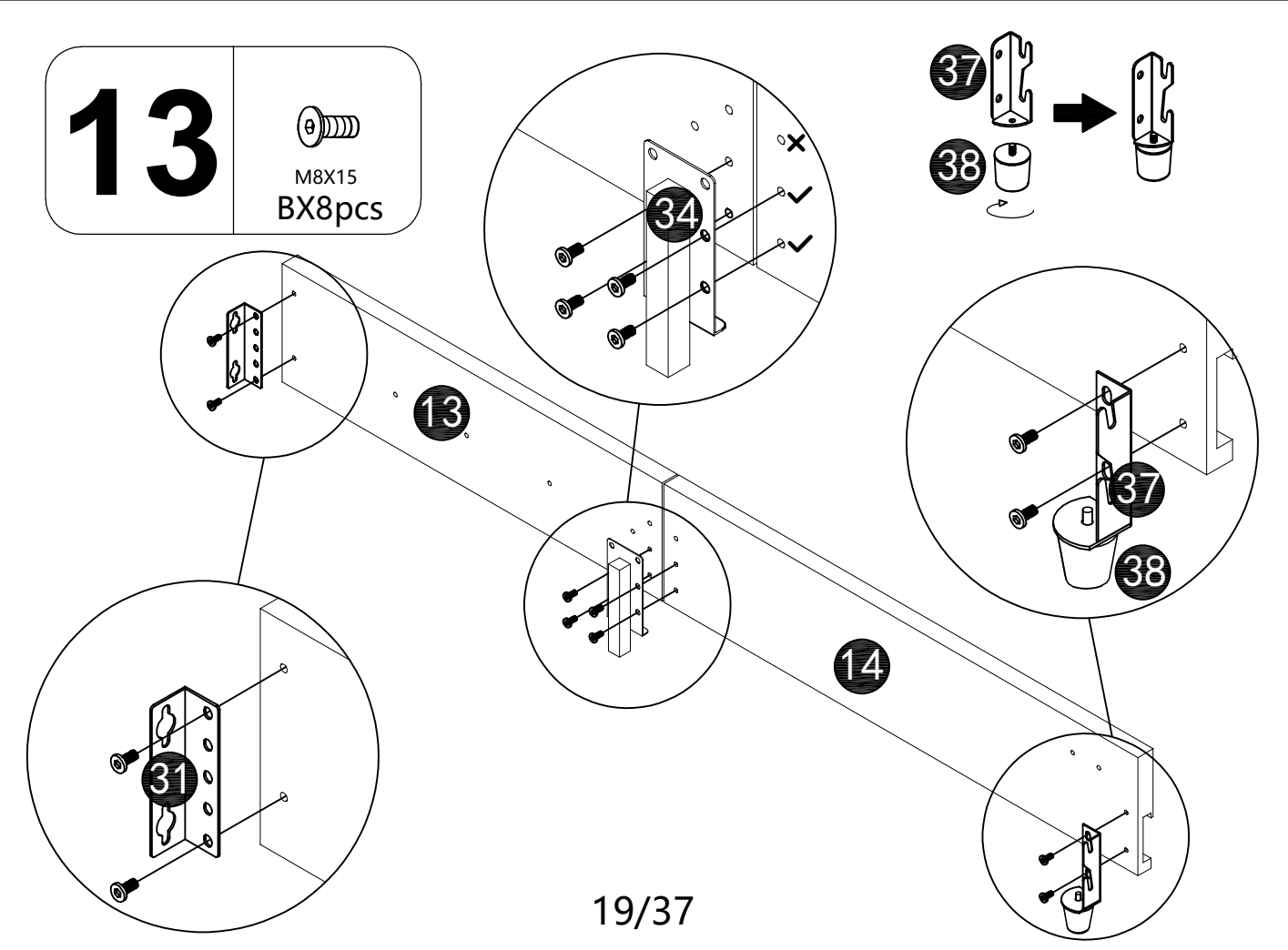
12

M8X15
BX8pcs



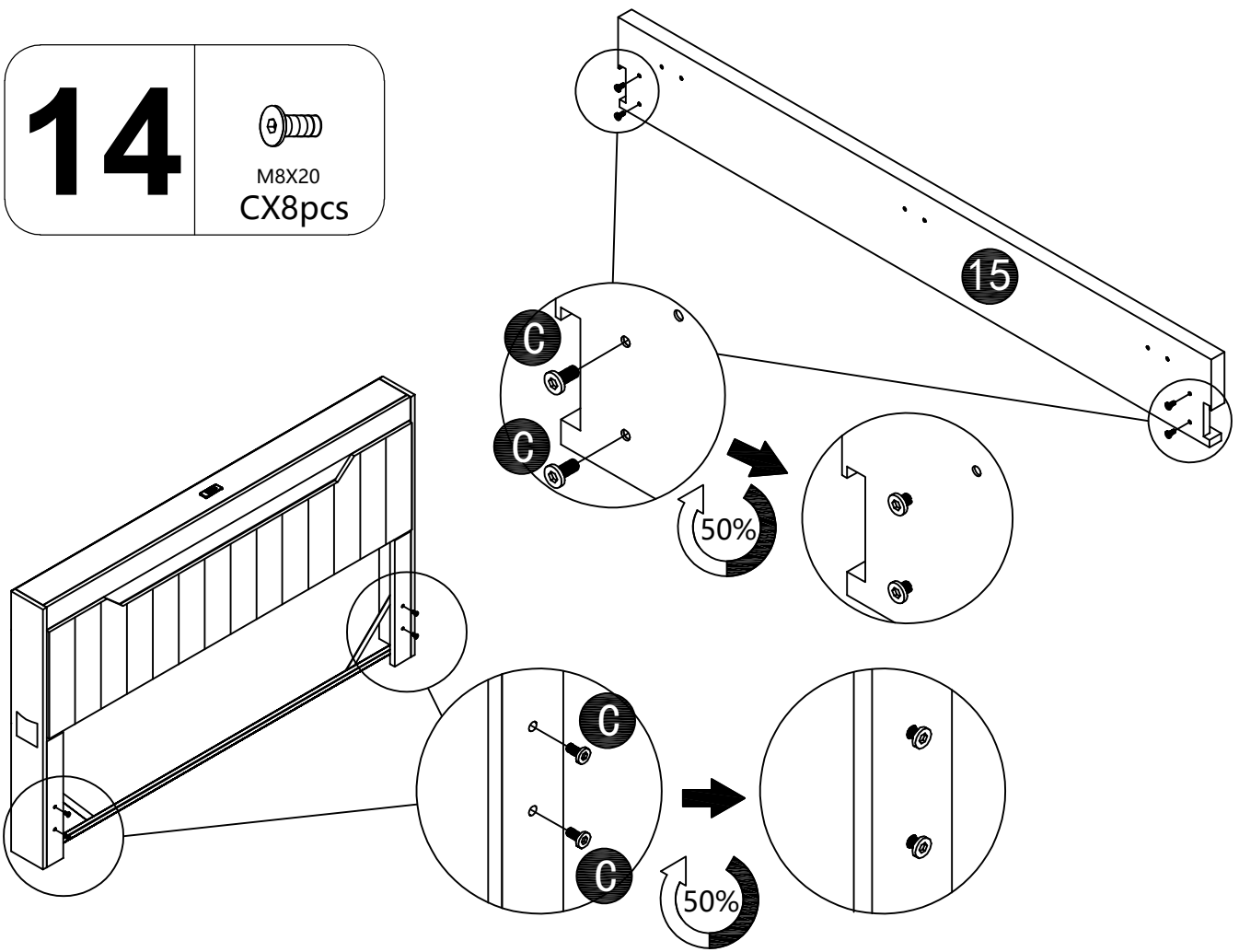
13

M8X15
BX8pcs

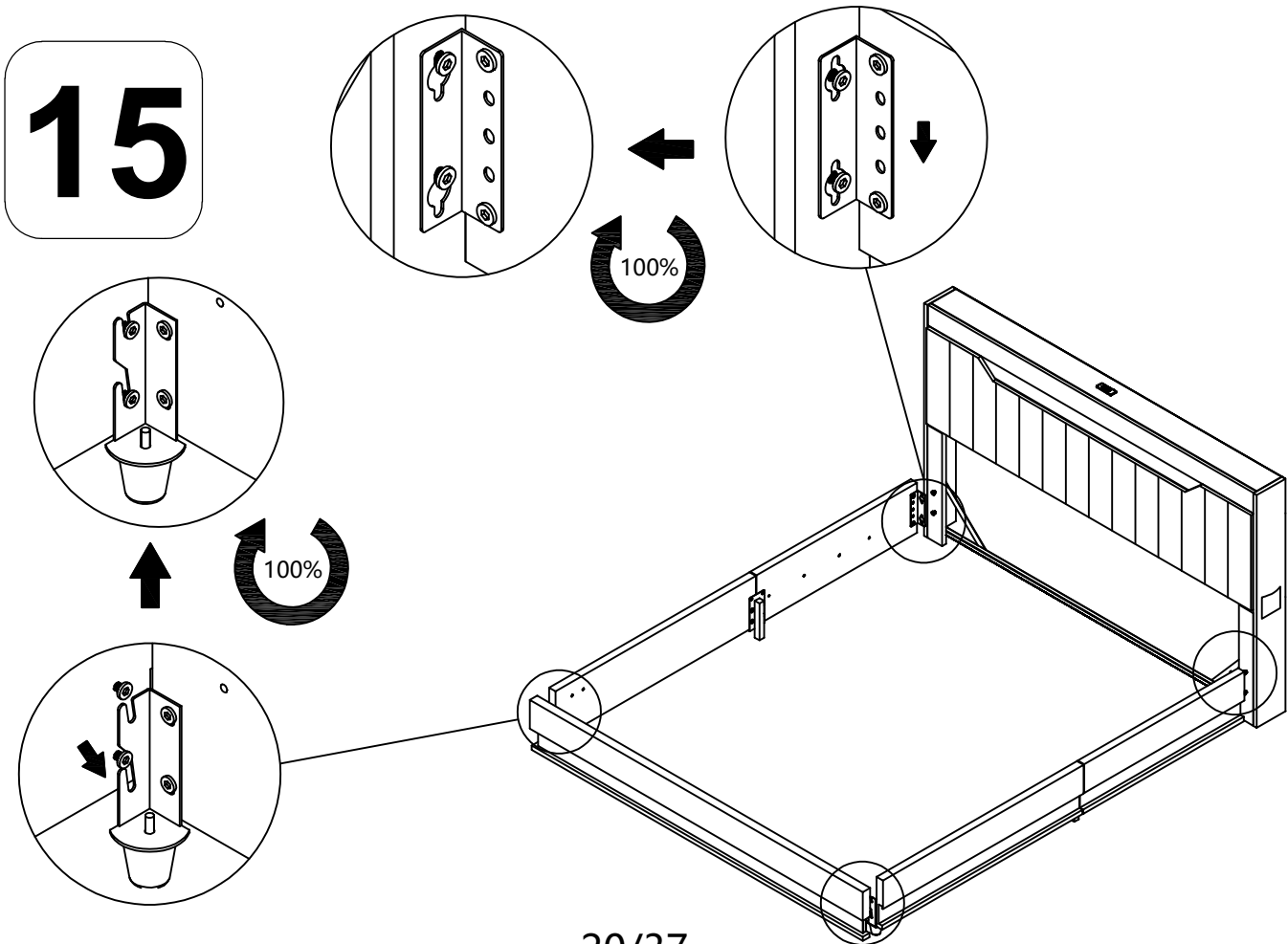


14

M8X20
CX8pcs

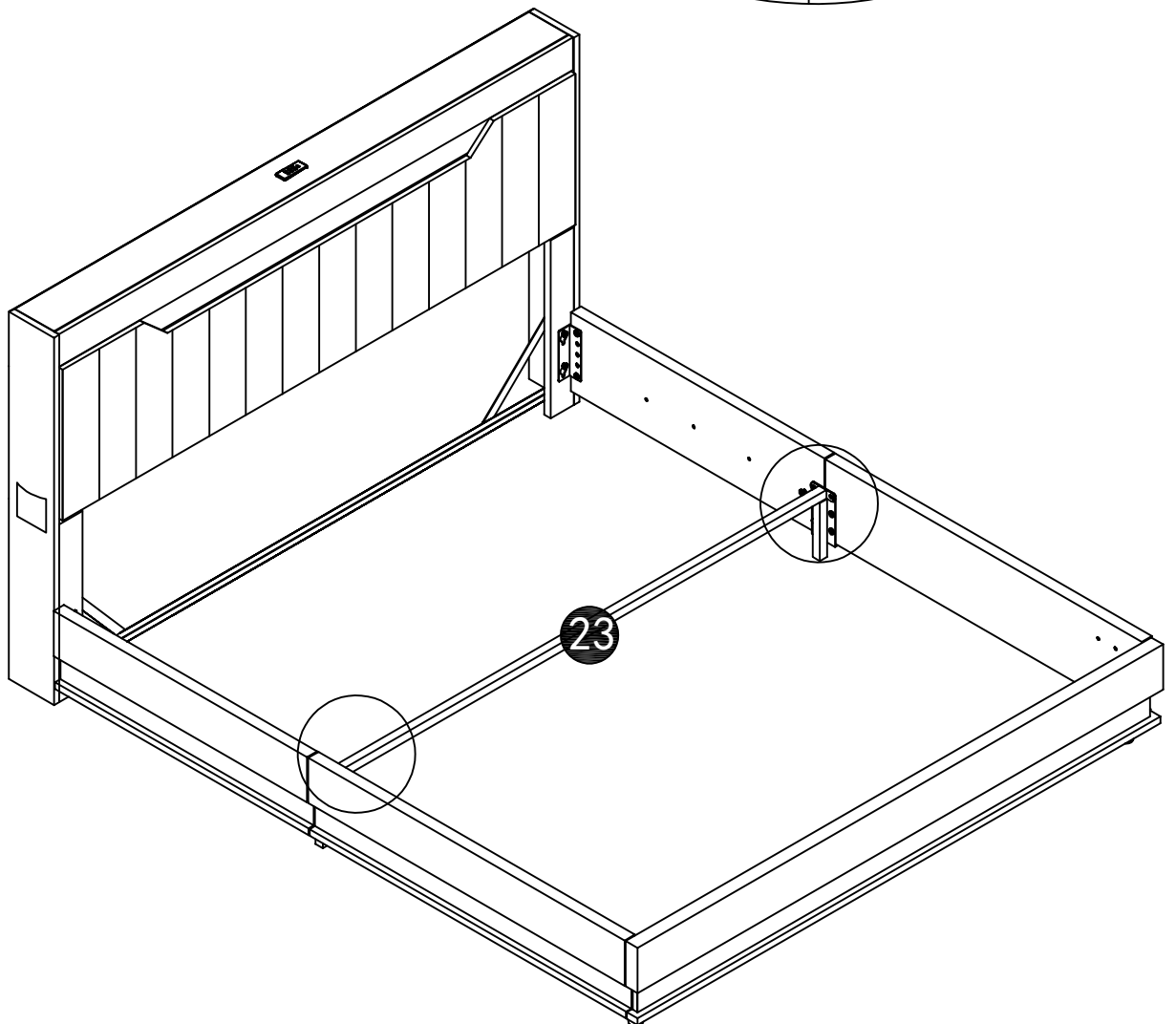
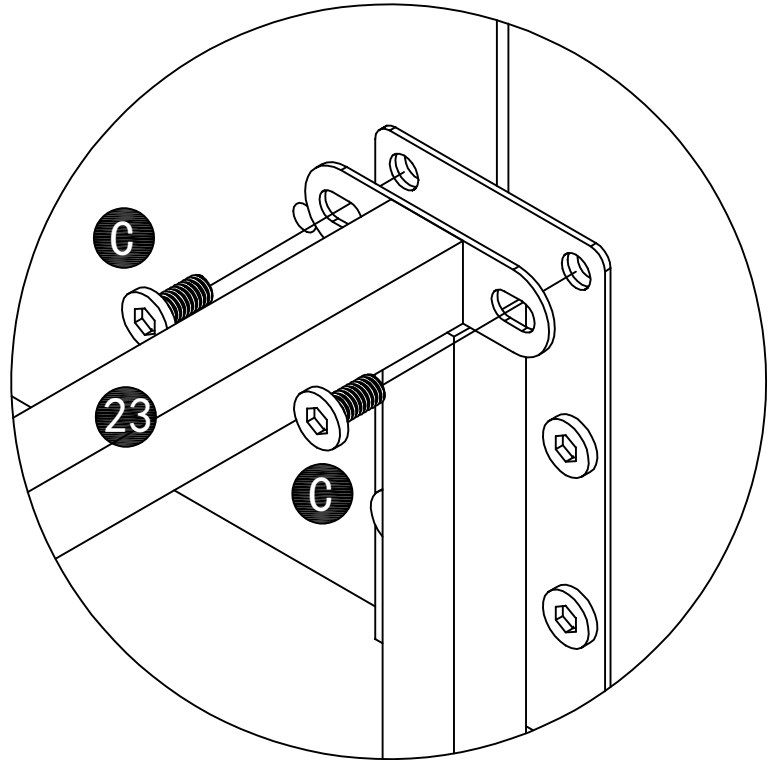


15



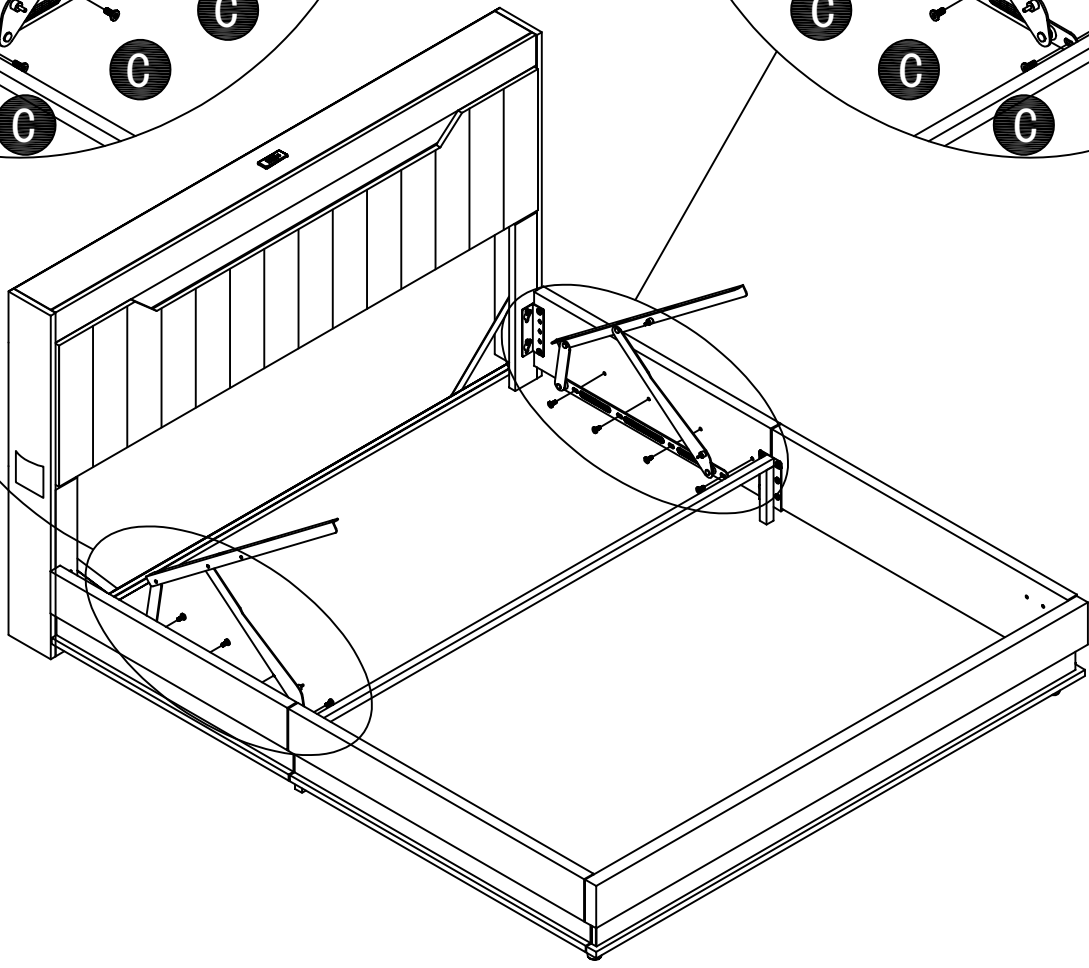
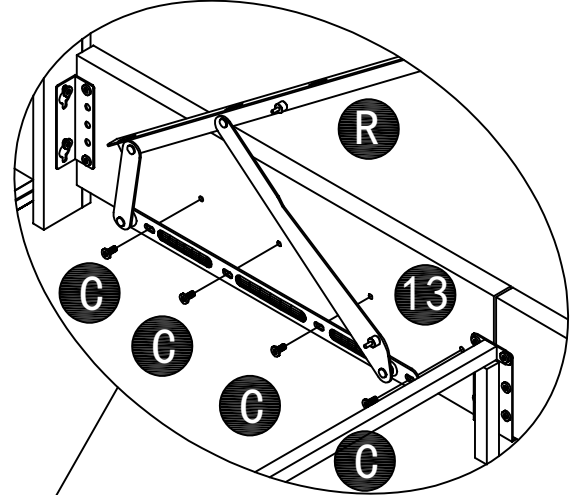
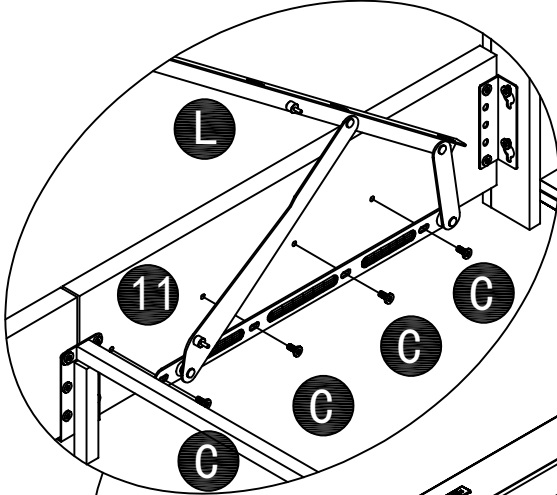
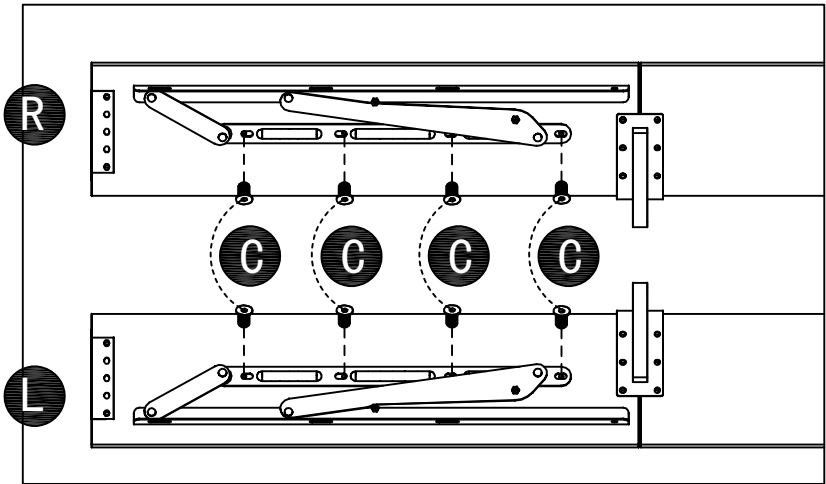
16


M8X20
CX4pcs



17


M8X20
CX8pcs

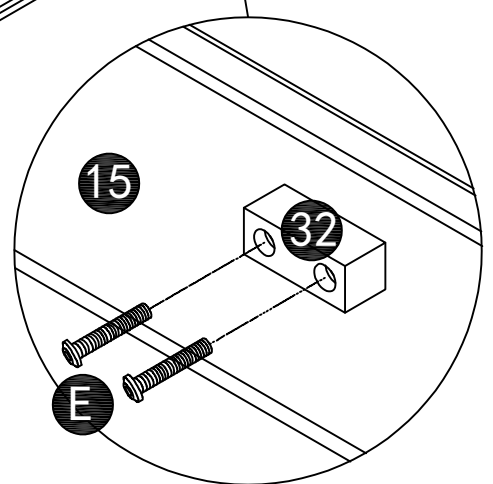
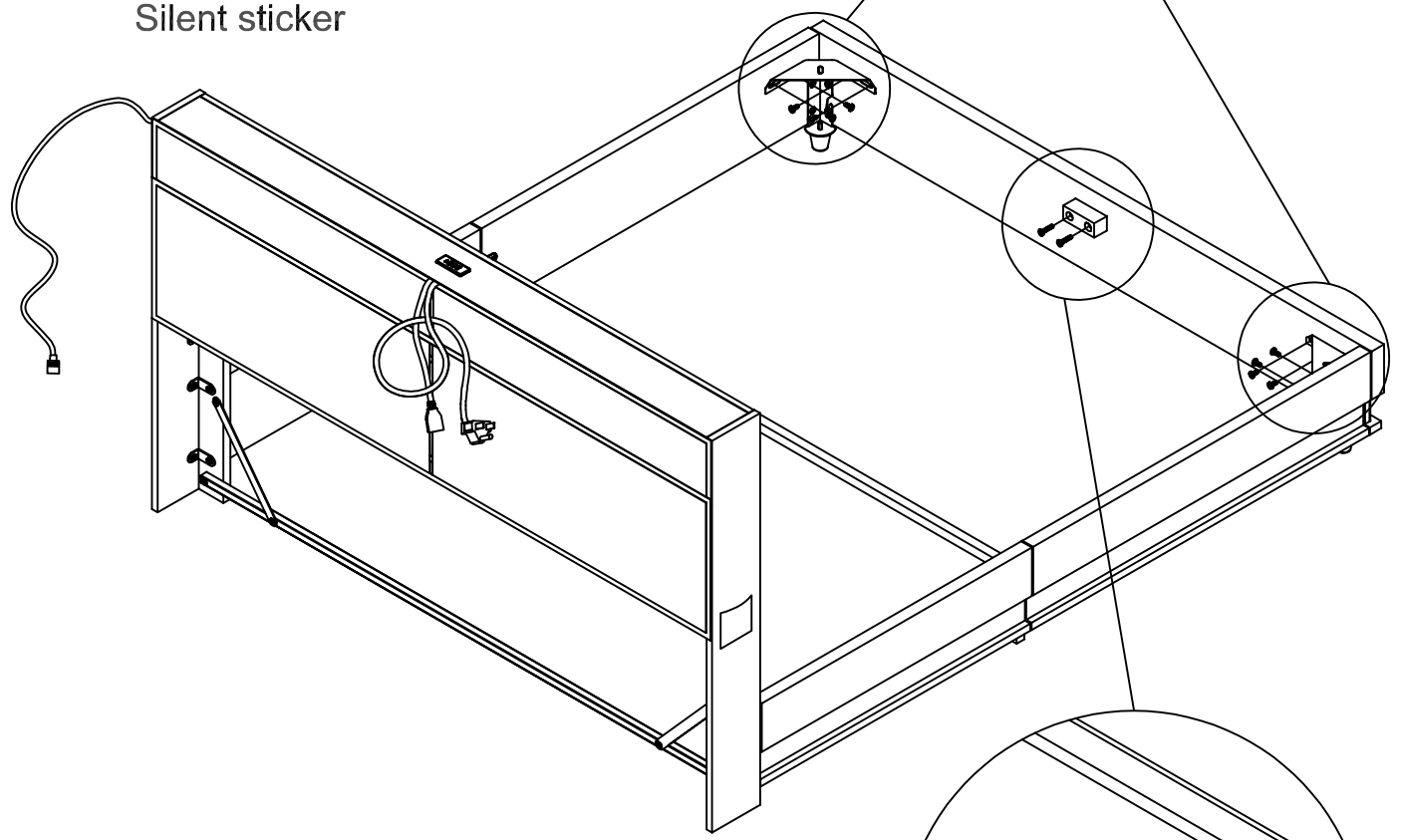
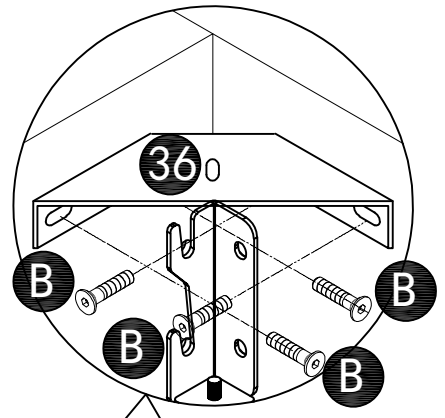
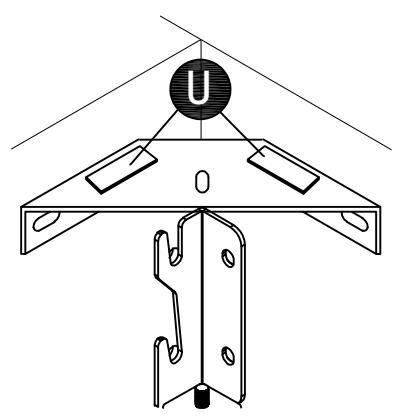
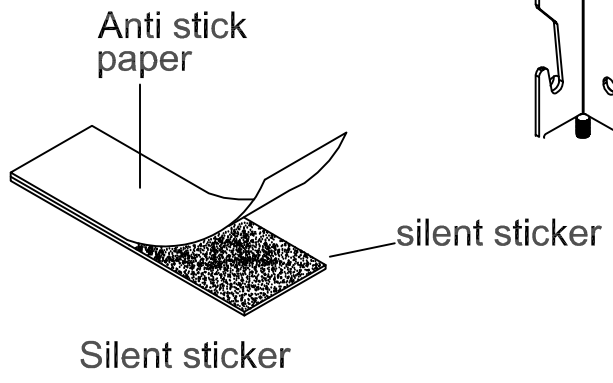


18


M8X15
BX8pcs

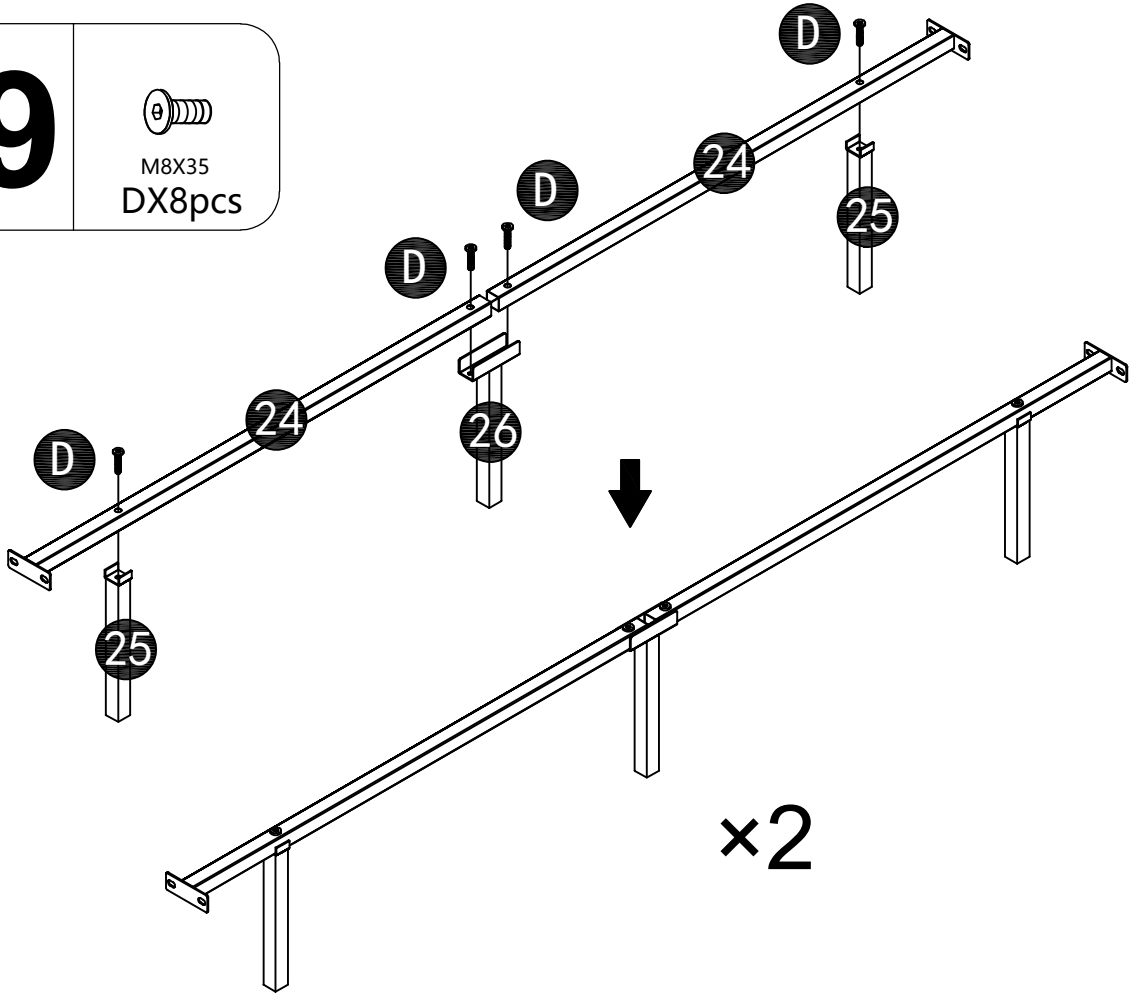

M8X40
EX2pcs


UX4pcs

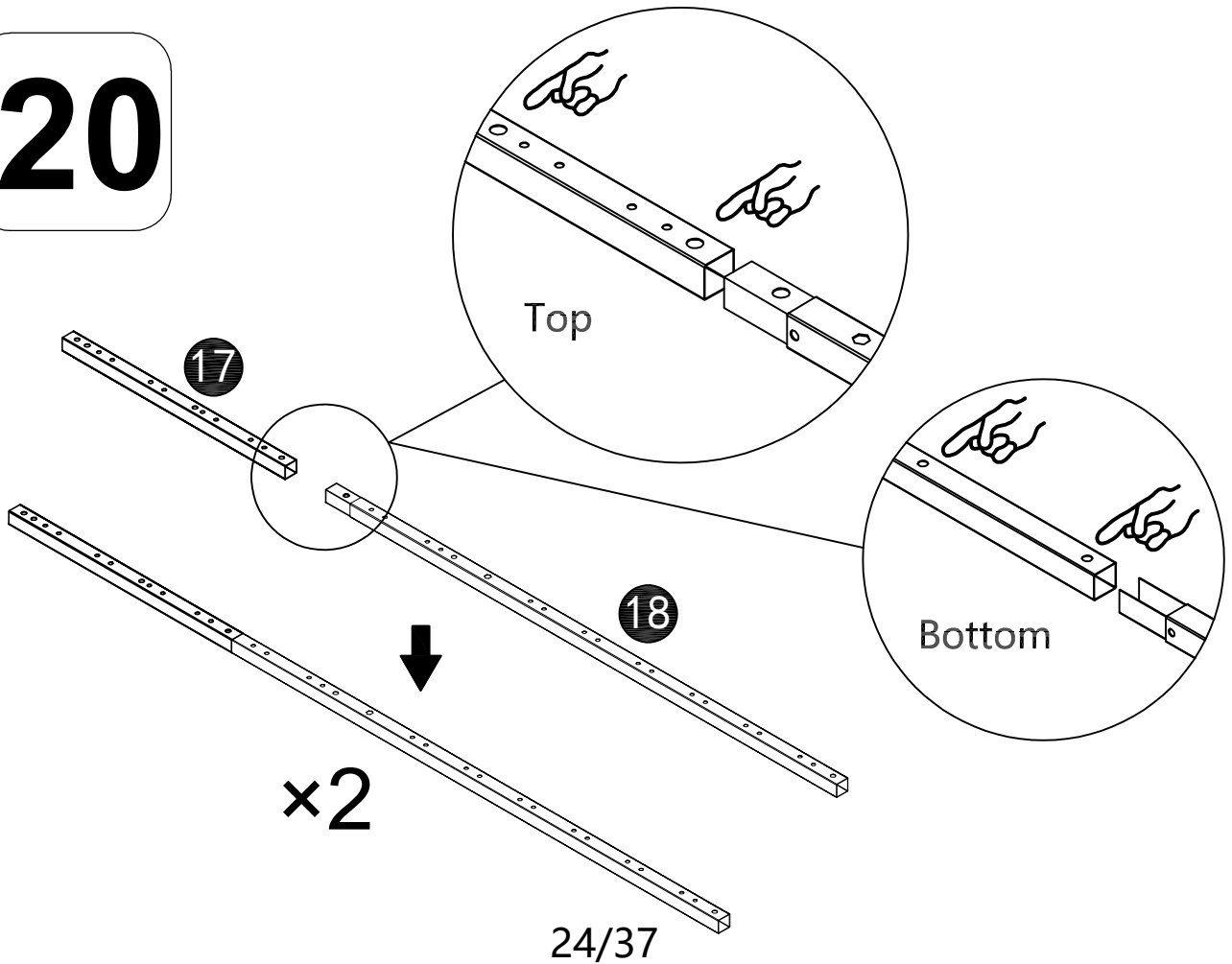


19

M8X35
DX8pcs



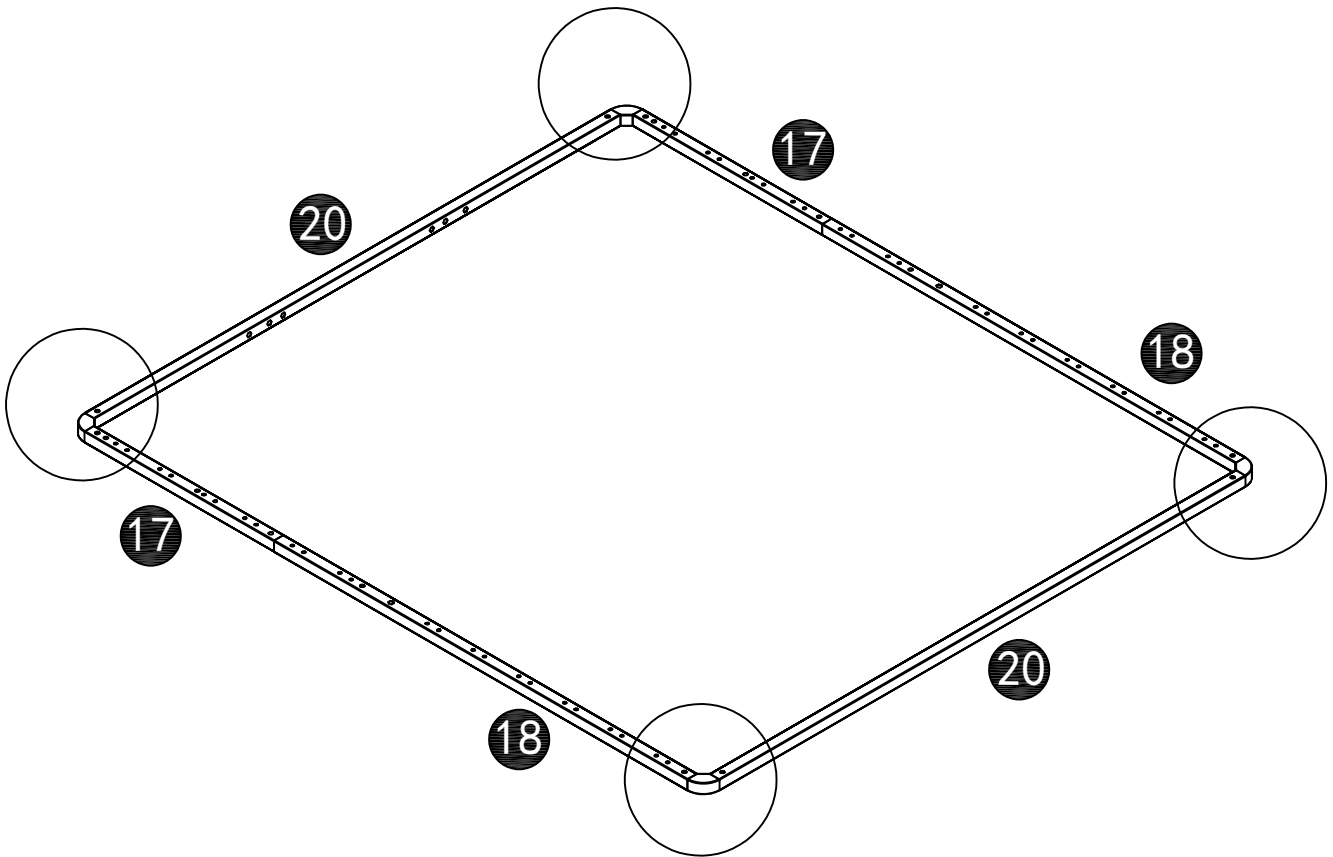
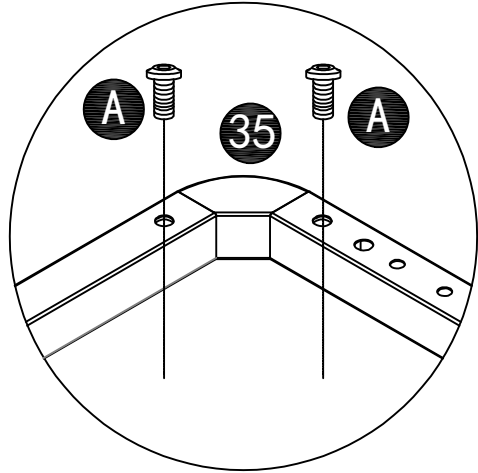
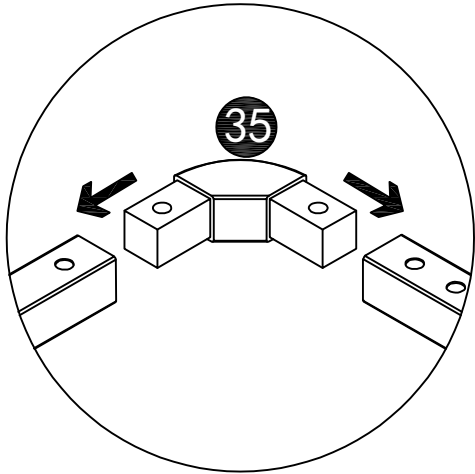
20



21

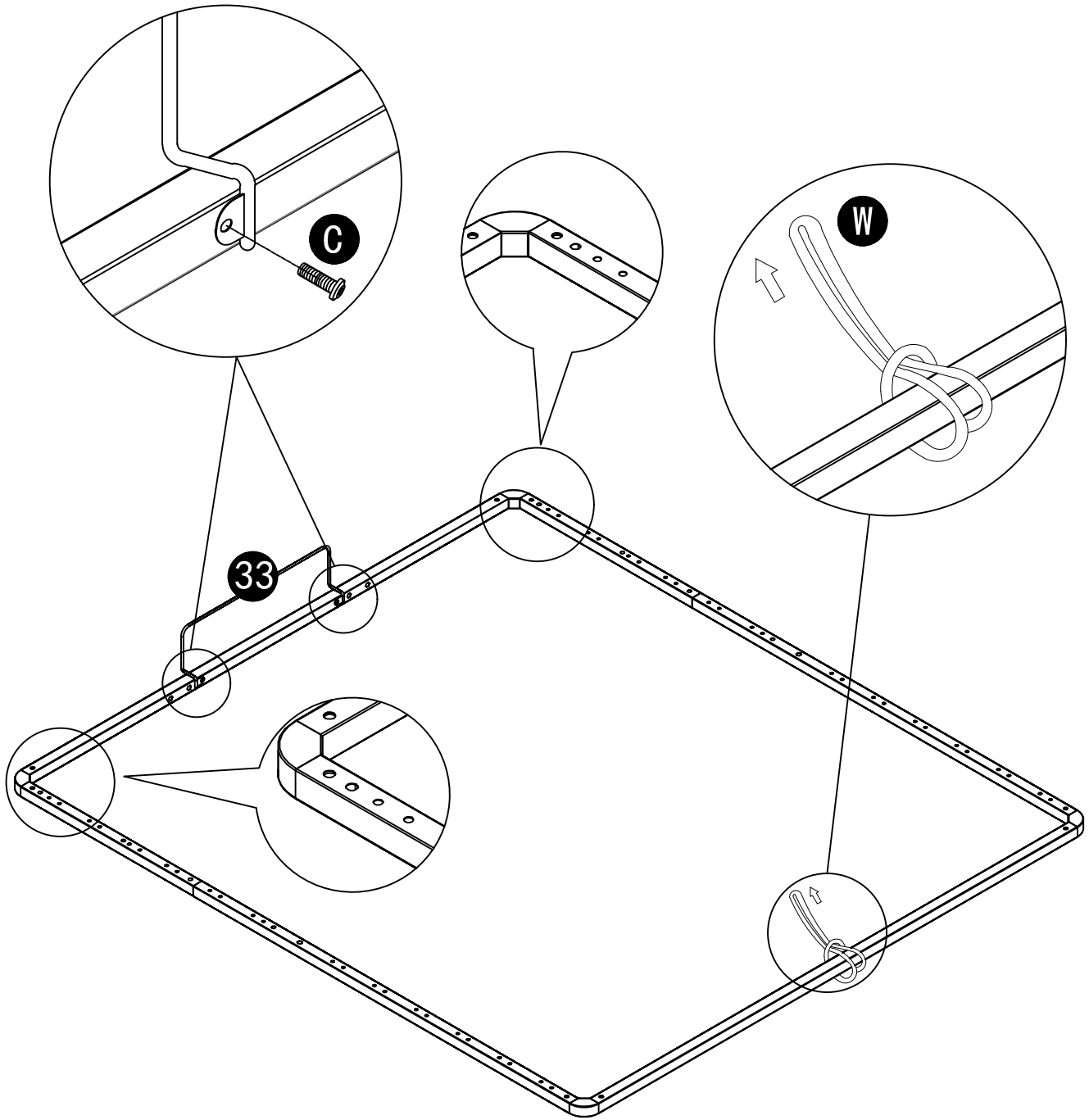


M8X12
AX8pcs

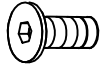


22


M8X20
CX2pcs



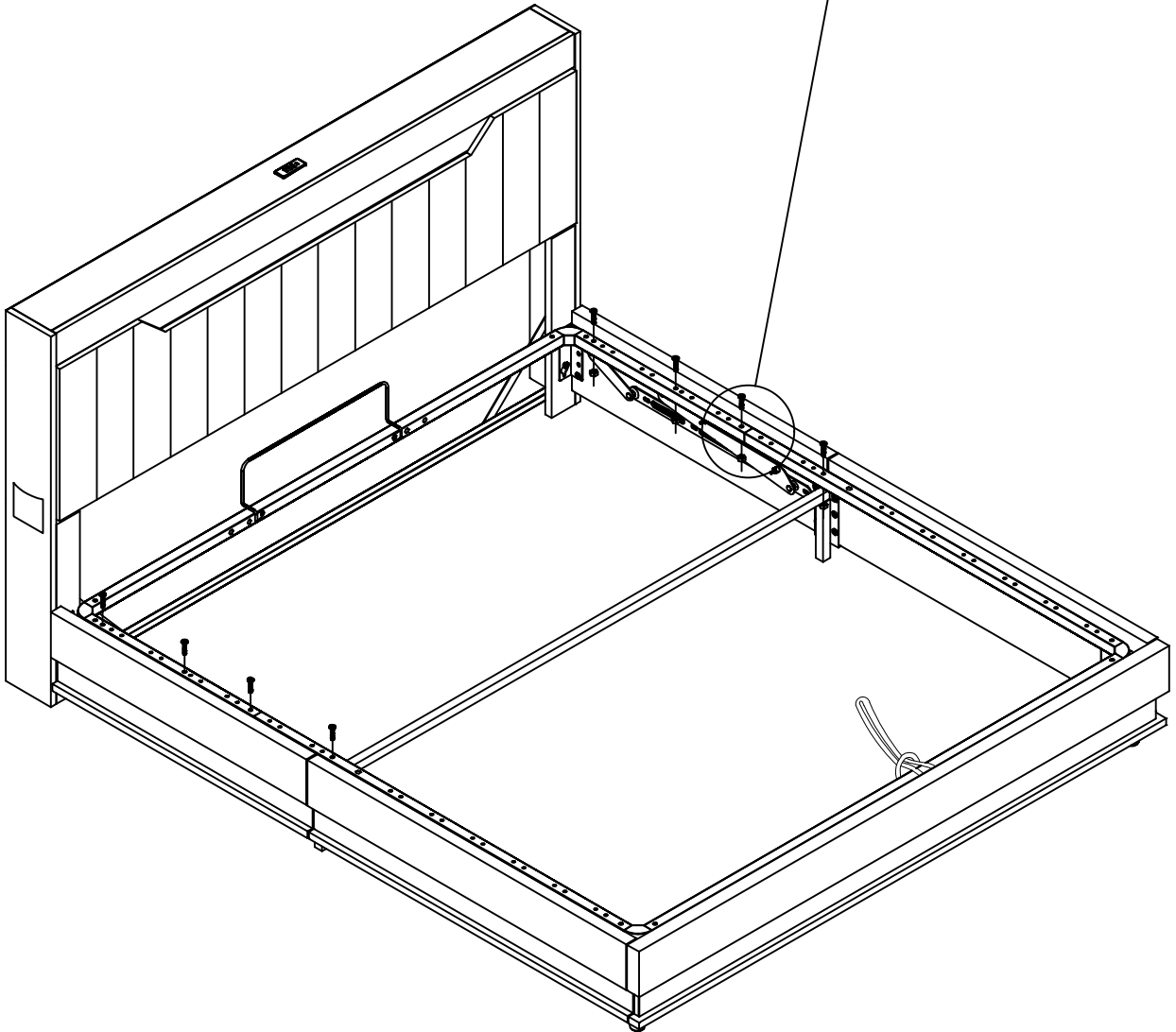
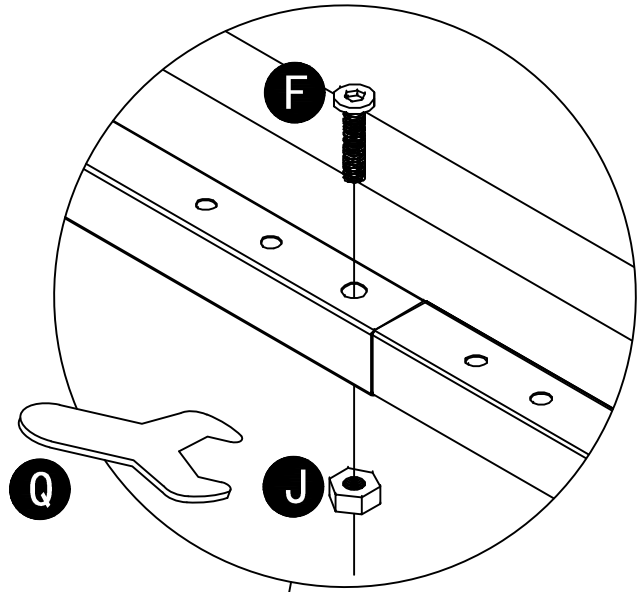
23




M8X50
FX8pcs



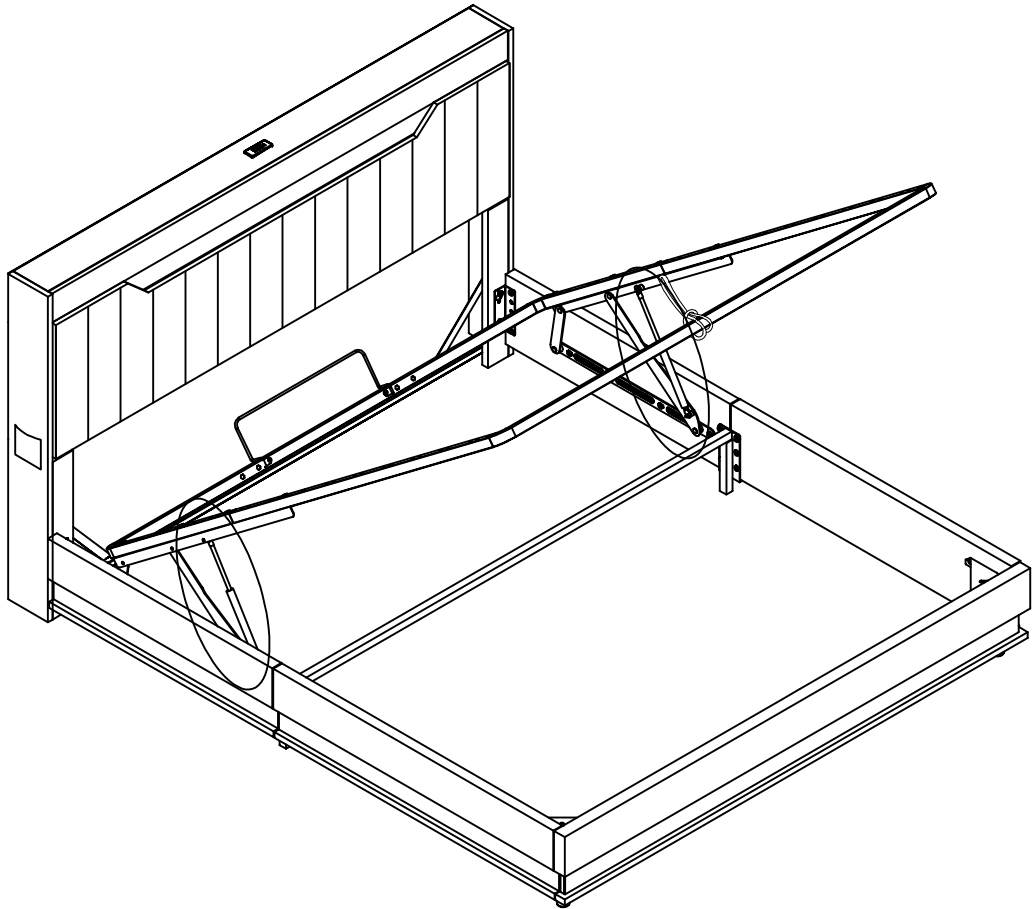
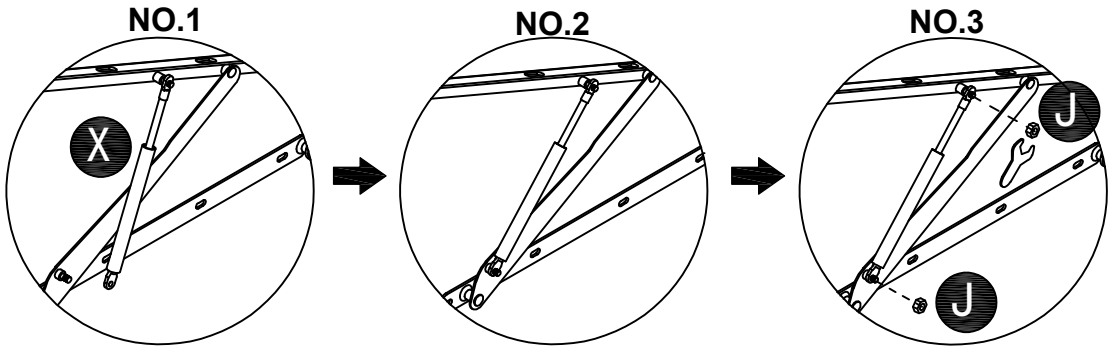
M8
JX8pcs



24

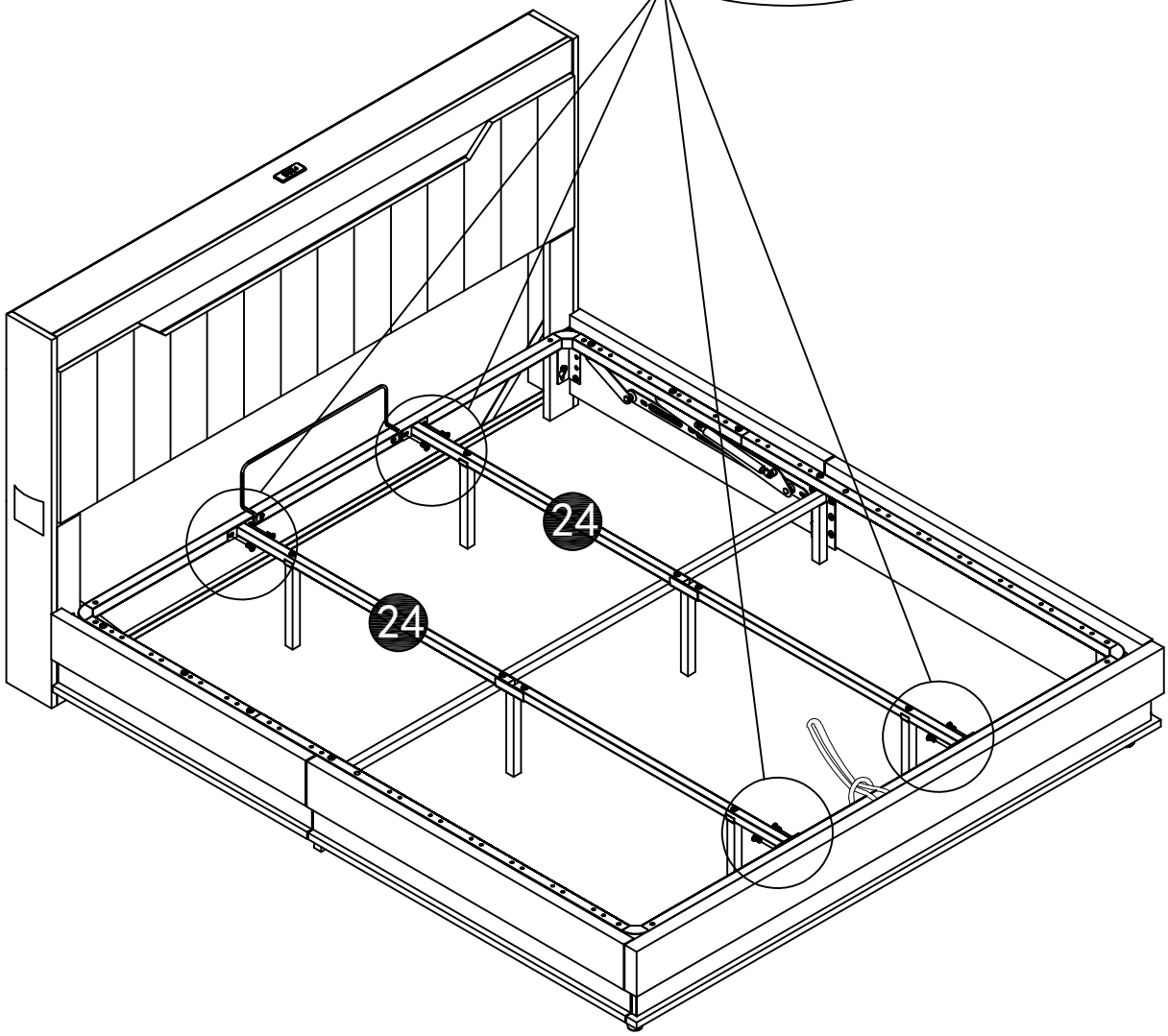
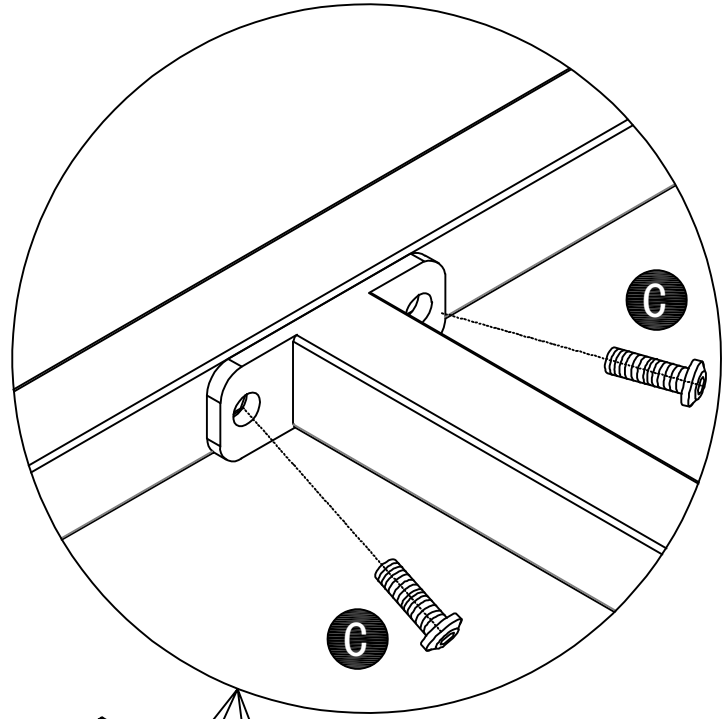


M8
JX4pcs

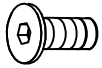


25


M8X20
CX8pcs



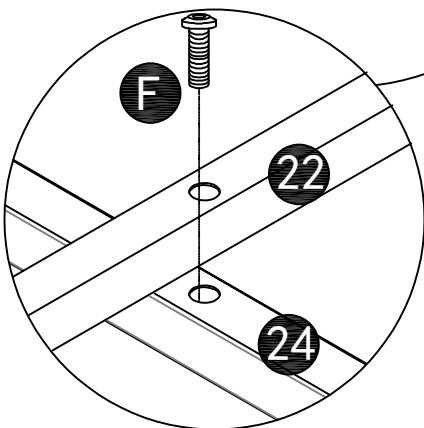
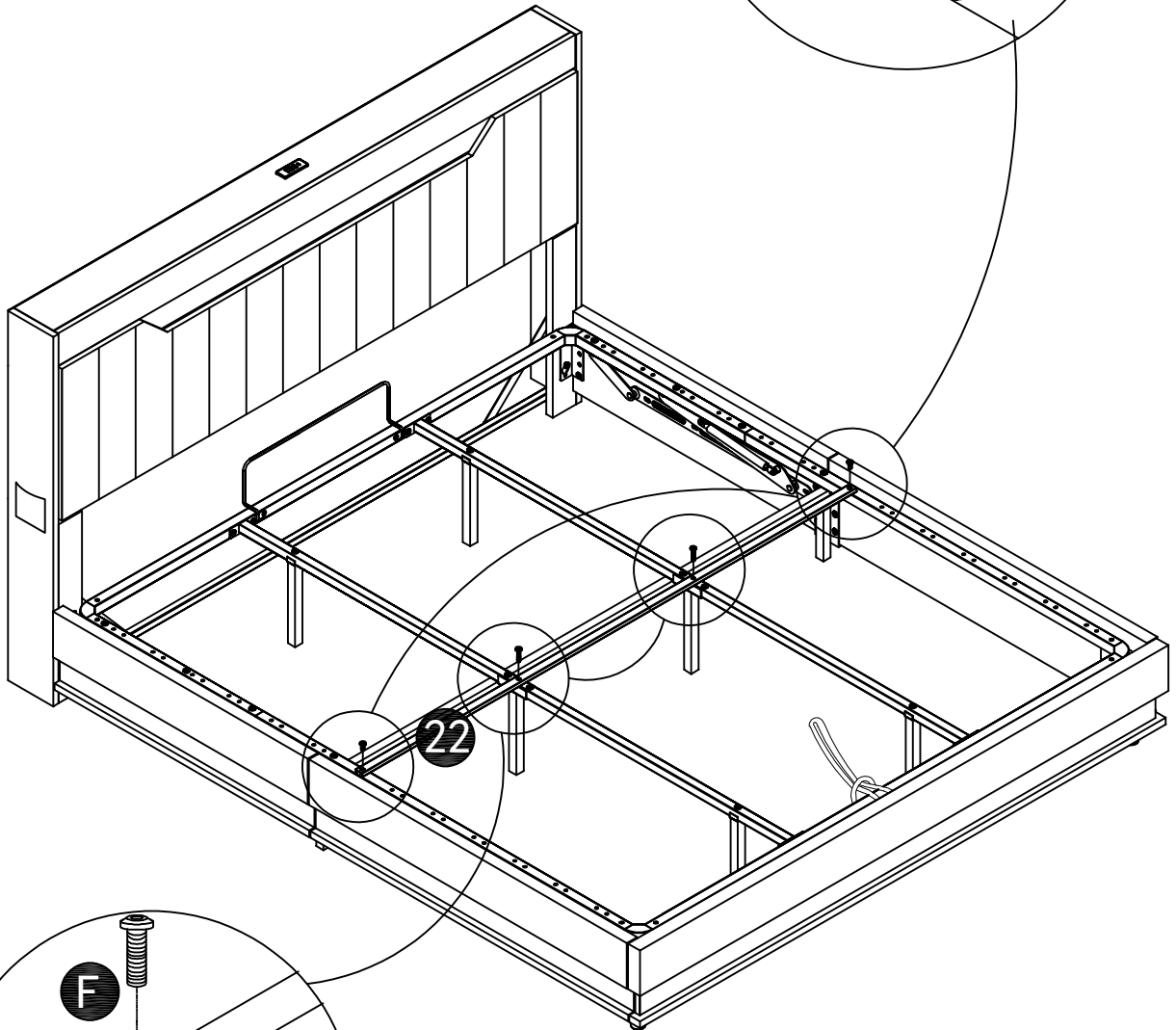
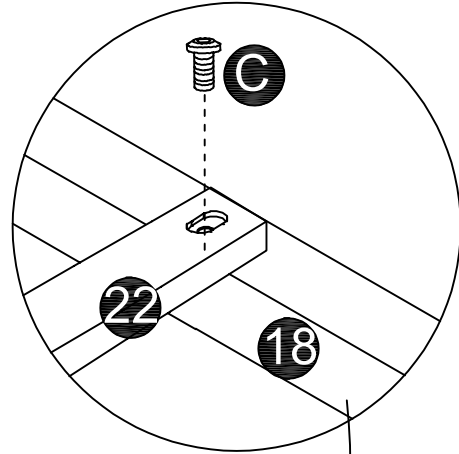
26



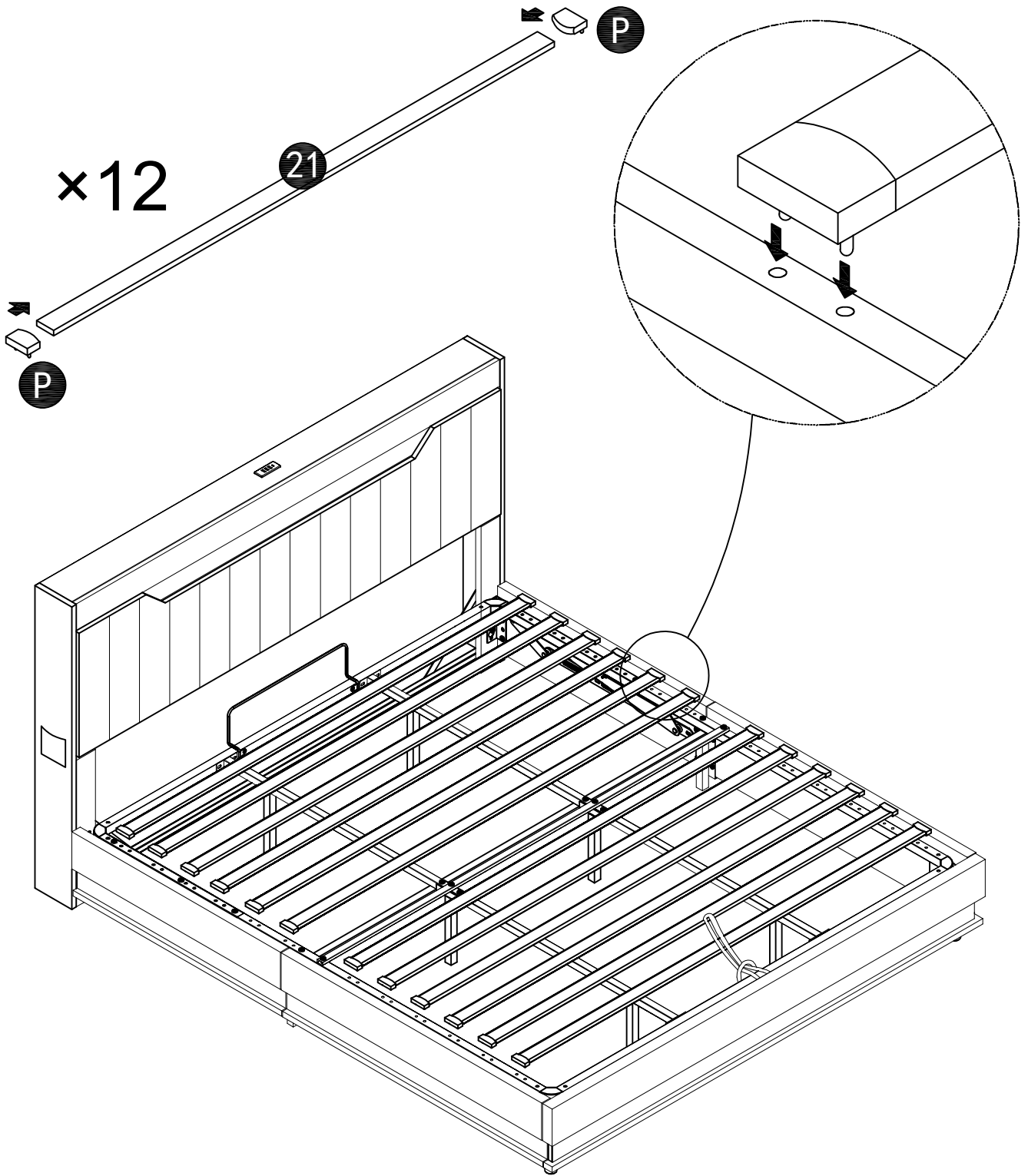
M8X50
FX2pcs



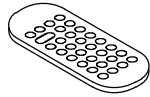
M8X20
CX2pcs



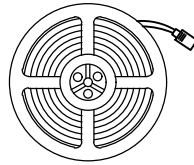
27 
PX24pcs



28



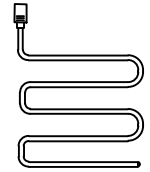
T Remote control
1PC



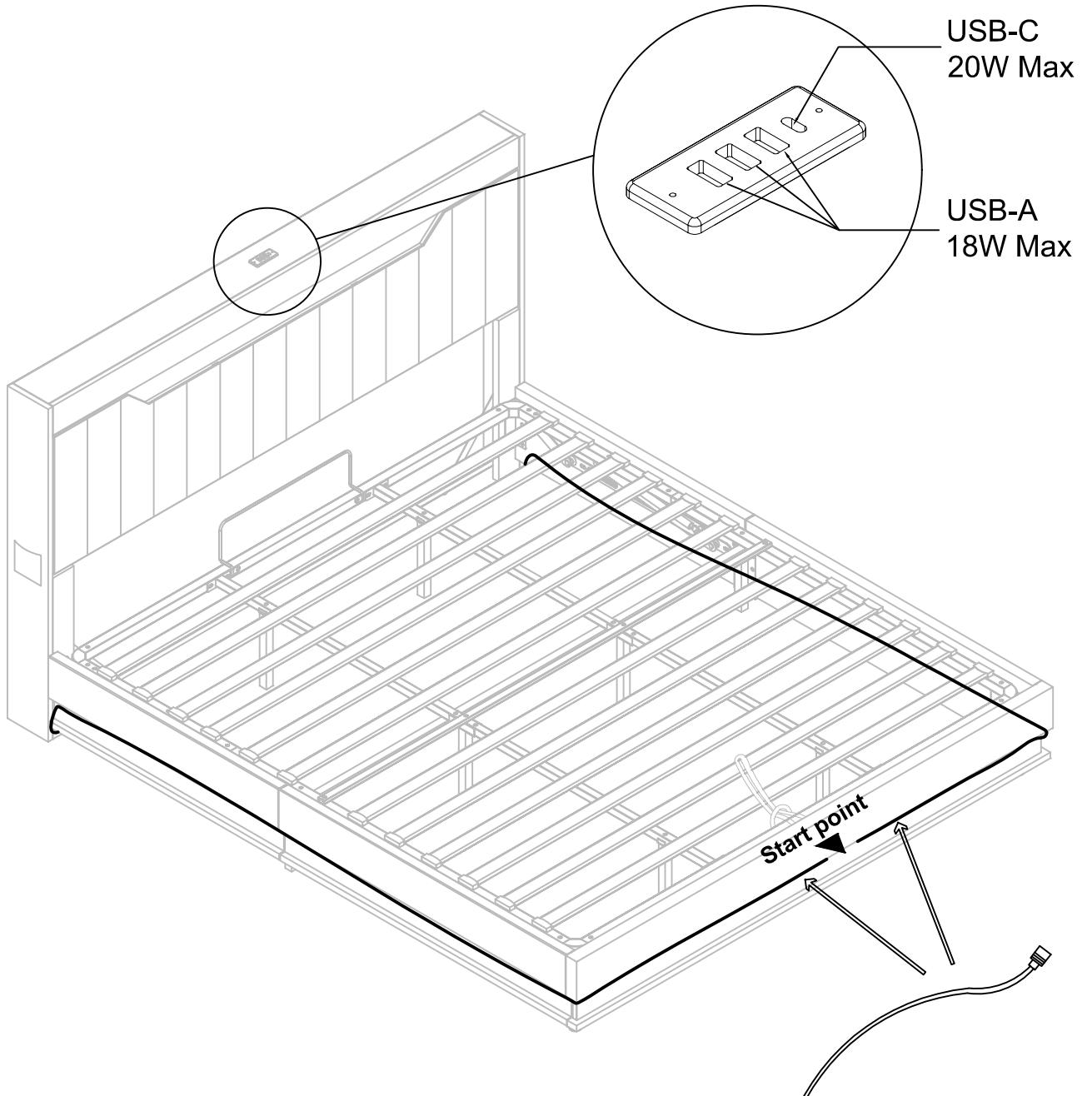
V Long light strip
2PCS



Pull out

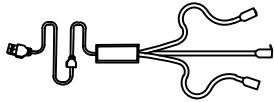


Light strip

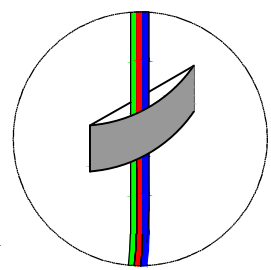
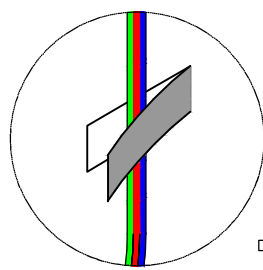
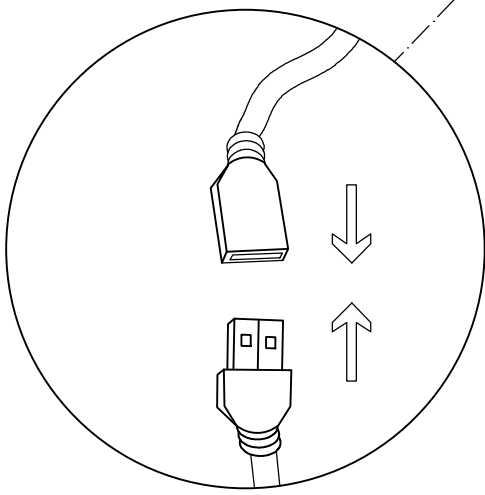
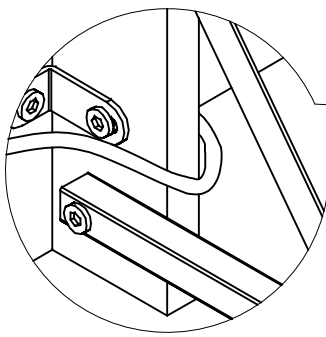
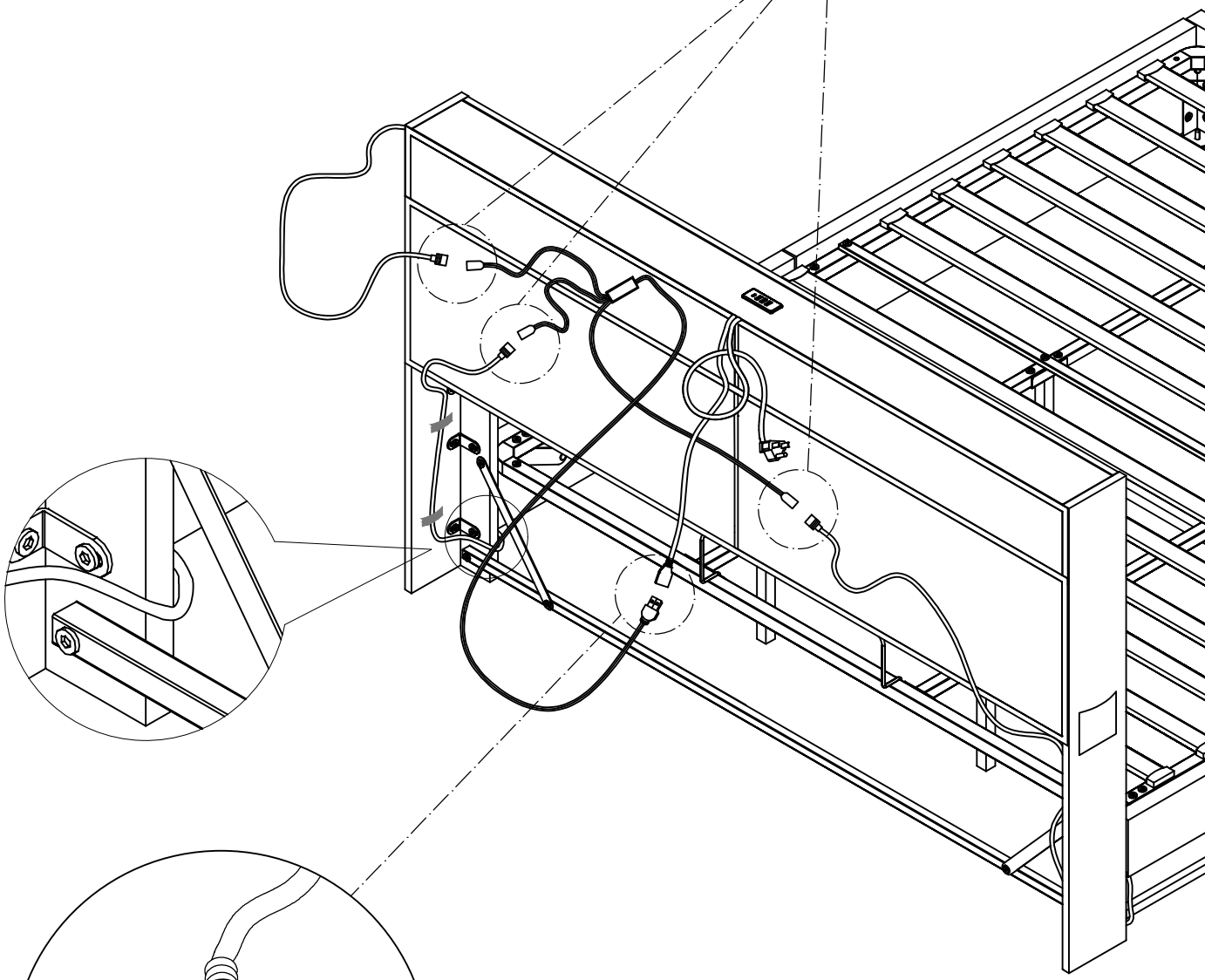
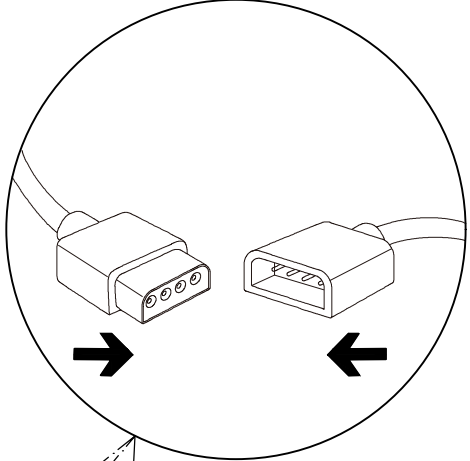


- *Stick the light strip onto the Velcro inside the groove
- *Kleben Sie den Lichtstreifen auf den Klettverschluss in der Nut
- *Collez la bande lumineuse sur le velcro à l'intérieur de la rainure
- *Pega la tira luminosa en el velcro dentro de la ranura
- *Incollare la striscia luminosa sul velcro all'interno della scanalatura.

29

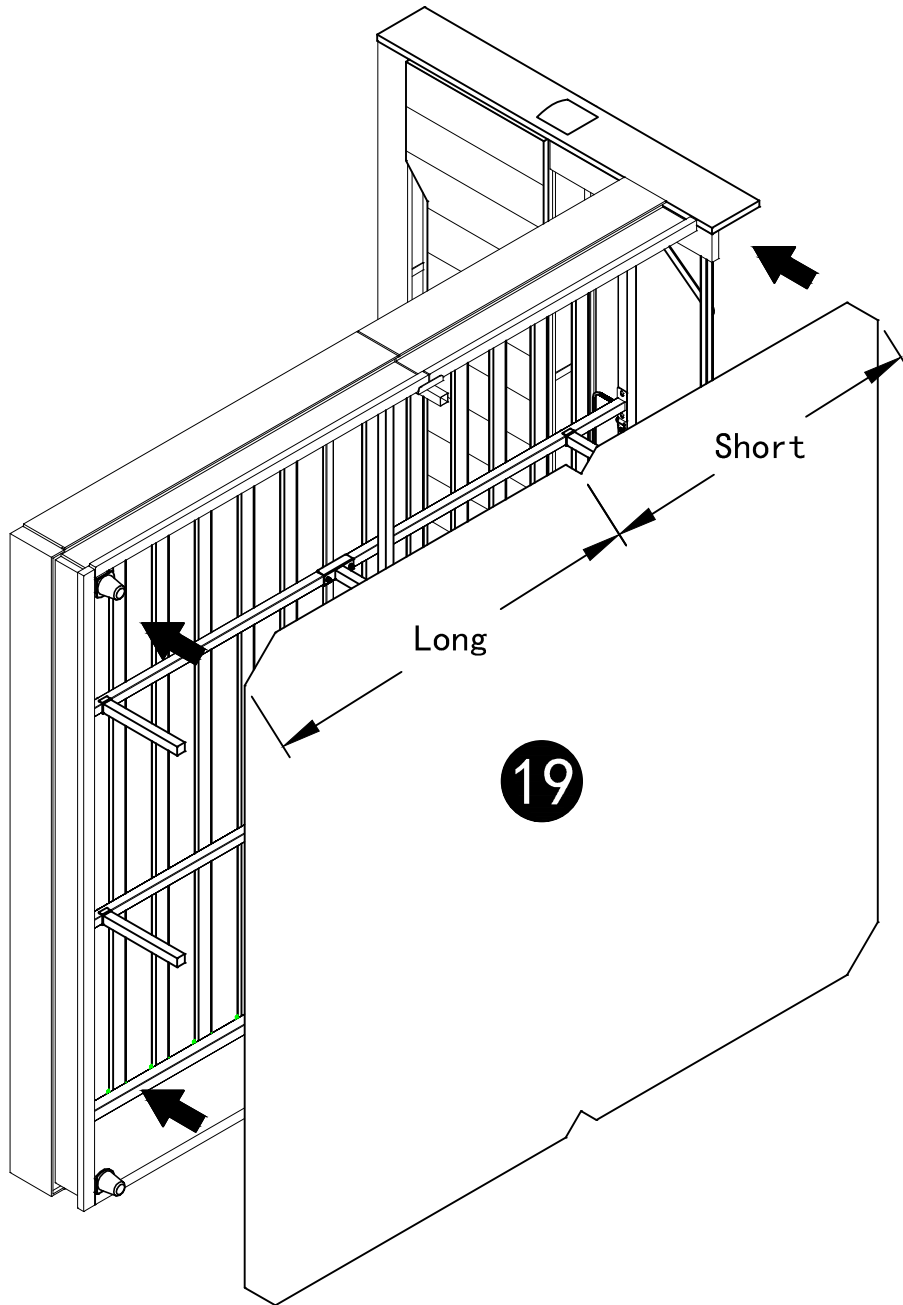


S Power cord
1PC



30

Stick the Velcro of component 19 to the Velcro under the bed



NOTE:The battery in the remote control requires you to purchase and install it yourself.
Model:CR2025 3.V



EN:Battery Safety Instructions

1. Do not dispose of used button batteries or remote controls in household trash. To protect the environment and prevent hazardous leakage, please follow these guidelines:
2. Remove button batteries after use and take them to a local battery recycling point or hazardous waste collection site.
3. Do not burn or dismantle the batteries to avoid explosion or toxic release.
4. If the remote control is no longer in use, please deliver it to a certified electronics recycling facility to promote resource reuse.
5. Keep out of reach of children to prevent accidental ingestion or injury.
6. This product does not include batteries; please purchase them separately. The compatible button cell model for the remote control is CR2025 3V.
7. If the light strip is not working, please try replacing the battery first. If the issue persists, contact the seller for assistance.
8. **Keep the remote control away from children — keep it away from children!** If the battery is accidentally swallowed, seek medical attention immediately.

DE:Batteriesicherheitshinweise

1. Entsorgen Sie gebrauchte Knopfzellen oder Fernbedienungen nicht im Hausmüll. Um die Umwelt zu schützen und gefährliche Leckagen zu vermeiden, beachten Sie bitte die folgenden Hinweise:
2. Entfernen Sie die Knopfzelle nach dem Gebrauch und bringen Sie sie zu einer örtlichen Batteriesammelstelle oder einem Sondermüllentsorgungszentrum.
3. Batterien nicht verbrennen oder zerlegen, um Explosionen oder die Freisetzung giftiger Stoffe zu vermeiden.
4. Wenn die Fernbedienung nicht mehr verwendet wird, bringen Sie sie zu einer zertifizierten Elektronik-Recyclingstelle, um eine Wiederverwertung zu ermöglichen.
5. Außerhalb der Reichweite von Kindern aufbewahren, um versehentliches Verschlucken oder Verletzungen zu verhindern.
6. Dieses Produkt enthält keine Batterien. Bitte kaufen Sie diese separat. Das kompatible Knopfzellenmodell für die Fernbedienung ist CR2025, 3V.
7. Wenn der Lichtstreifen nicht funktioniert, versuchen Sie zunächst, die Batterie zu wechseln. Besteht das Problem weiterhin, kontaktieren Sie bitte den Verkäufer.
8. **Halten Sie die Fernbedienung unbedingt von Kindern fern — unbedingt fernhalten!** Wird die Batterie versehentlich verschluckt, suchen Sie sofort medizinische Hilfe auf.

FR:Instructions de sécurité pour les pile

1. Ne jetez pas les piles bouton usagées ou les télécommandes à la poubelle ménagère. Pour protéger l' environnement et éviter tout risque de fuite dangereuse, veuillez suivre les consignes suivantes :

2. Retirez les piles bouton après usage et déposez-les dans un point de collecte local ou un centre de déchets dangereux.

3. Ne brûlez pas et ne démontez pas les piles, cela pourrait entraîner une explosion ou libérer des substances toxiques.

4. Si la télécommande n'est plus utilisée, déposez-la dans un centre de recyclage agréé pour appareils électroniques, afin de favoriser la réutilisation des ressources.

5. Gardez hors de portée des enfants pour éviter tout risque d'ingestion accidentelle ou de blessure.

6.Ce produit ne contient pas de pile. Veuillez l'acheter séparément. Le modèle de pile bouton compatible pour la télécommande est CR2025, 3V.

7.Si le ruban LED ne fonctionne pas, essayez d'abord de remplacer la pile. Si le problème persiste, contactez le vendeur.

8.Tenez la télécommande éloignée des enfants — éloignez-la vraiment ! En cas d'ingestion accidentelle de la pile, consultez immédiatement un médecin.



Verification of Compliance

Verification No.: MK23020083-P01E01
Name and address of Applicant: **Shenzhen Hongzhengyu Technology Co., LTD**
 Shenzhen baoan district rock street industrial science and technology industrial park of 2 Haitian lanyu 3 5 floor of A
Name and address of Manufacturer: **Shenzhen Hongzhengyu Technology Co., LTD**
 Shenzhen baoan district rock street industrial science and technology industrial park of 2 Haitian lanyu 3 5 floor of A
Product name: **Lamp strip**
Rated: 5V --- 1A
 HZY-2835-120D-12V, HZY-2835-30D-5V, HZY-2835-60D-5V, HZY-2835-120D-5V, HZY-2835-60D-12V, HZY-2835-60D-24V, HZY-2835-120D-24V, HZY-2835RGB-60D-5V, HZY-2835RGB-60D-12V, HZY-5050-30D-5V, HZY-5050-60D-5V, HZY-5050-30D-12V, HZY-5050-60D-12V, HZY-5050-60D-24V, HZY-5050RGB-30D-5V, HZY-5050RGB-60D-5V, HZY-5050RGB-30D-12V, HZY-5050RGB-60D-12V, HZY-5050RGB-60D-24V
Product model(s):
Product trademark: N/A

This verification confirms that the product meets the requirements of the following standard. The conformity was demonstrated based on following standard(s) listed by European Commission as harmonized with EMC Directive 2014/30/EU.

EN IEC 55015:2019+A11:2020
IEC 61547:2020

The verification has been carried out in accordance with individual rules and conditions agreed with the applicant. Evaluation has been carried out in accordance with:

Test report(s) No.: MK23020083-P01E01
Test conducted by: TMC Testing Services (Shenzhen) Co., Ltd.
Verification issue date: February 25, 2023

Notes:

This verification refers to the above mentioned product and its conformity in regards of above mentioned standard(s) was proven on test sample.

This verification does not imply meeting all essential requirements, assessment of the series-production or any other restricted Notified Bodies conformity assessment procedure appropriate for the product.

This verification holder shall use this verification in connection to verification of conformity and technical data relevant for the product the verification was issued.

TMC Testing Services (Shenzhen) Co., Ltd.

t:86-755-86642861 cert@tmc-lab.com www.tmc-lab.com

1st Floor, Block A1, Zone A, Xinshidai Gongrong Industrial Park, No. 2, Shihuan Road, Shiyuan Street, Baoan District, Shenzhen, China



Shenzhen ZKT Technology Co., Ltd.

1/F, No. 101, Building B, No. 6, Tangwei Community Industrial Avenue,
Fuhai Street, Bao'an District, Shenzhen, China



Certificate of Compliance

Certificate Number: ZKT-250327L5653C

Certificate's Holder : Guangdong Zhangong Electric Technology Co., Ltd
701, Building 29, zhifuyuan Industrial Zone, Xingtan town,
Shunde District, Foshan City, Guangdong Province

Manufacturer : Guangdong Zhangong Electric Technology Co., Ltd
701, Building 29, zhifuyuan Industrial Zone, Xingtan town,
Shunde District, Foshan City, Guangdong Province

Trade Mark : /

Product : Mountable USB Hub/USB CHARGER

Model(s) : ZG-USB-12-B
ZG-USB-12, ZG-USB-12-C

Test Standard : EN 61558-2-16:2009+A1:2013 used in conjunction with
EN IEC 61558-1:2019

This Attestation of Compliance is issued on a voluntary basis for electrical equipment below the voltage limits of Low Voltage Directive 2014/35/EU. The essential requirements are fulfilled accordingly based on the technical specifications applicable at the time of issuance. See also notes overleaf. It is only valid in connection with the test report number: ZKT-250327L5653S.





Attestation of Compliance

Attestation No. : LCSA11254144E

Approval Holder : Dongguan Yihong Hardware Electronics Co., Ltd

Address : Room 1106, No.2, Shangheng Road, Chang'an Town, Dongguan

Manufacturer : Dongguan Yihong Hardware Electronics Co., Ltd

Address : Room 1106, No.2, Shangheng Road, Chang'an Town, Dongguan

Brand Name : N/A

Product : LED controller

Type/Model Name : YH-6183, YH-252, YH-284, YH-290, YH-287, YH-358, YH-360, YH-6180, YH-6184

H/S Version : HW: /
SW: /

Attestation of the technical design of the radio equipment according to the following essential requirements set out in article 3 of the RED 2014/53/EU:

Article 3.1a): Health and Safety	Conform
Article 3.1b): Electromagnetic Compatibility	Conform
Article 3.2: Effective Use of the Radio Spectrum	Conform
CE-marking	

Marking Example (Class 1)



This attestation is issued in accordance with the Directive 2014/53/EU of the European Parliament and of the Council of 16 April 2014 on the harmonisation of the laws of the Member States relating to the making available on the market of radio equipment.

December 16, 2024

Date of issue



Manager



Annex



Applied Standards and Test Reports

Standard	Laboratory	Test Report Number
ETSI EN 301 489-1 V2.2.3 (2019-11) ETSI EN 301 489-17 V3.3.1 (2024-09) EN 55032:2015/A11:2020 EN 55035:2017/A11:2020	Shenzhen LCS Compliance Testing Laboratory Ltd.	LCSA11254144EA
ETSI EN 300 328 V2.2.2 (2019-07)	Shenzhen LCS Compliance Testing Laboratory Ltd.	LCSA11254144EB LCSA11254144EC
EN IEC 62311:2020	Shenzhen LCS Compliance Testing Laboratory Ltd.	LCSA11254144ED
EN IEC 62368-1:2020+A11:2020	Shenzhen LCS Compliance Testing Laboratory Ltd.	LCSA11254143S

General Remarks:

1. This conformity assessment is limited to the essential requirements of the RED Directive.
Only products fulfilling all essential requirements of all applicable new approach directives may be placed on the market and put into service.
2. Products in compliance with all provisions of the applicable directives providing for the CE marking must bear this marking.
3. The manufacturer shall take all measures necessary so that the manufacturing process and its monitoring ensure conformity of the manufactured radio equipment with the approved type described in the Attestation of Compliance and with the requirements of Directive 2014/53/EU that apply to it.
4. This device also contains frequency bands that are not operational in EU member states.
Only the frequency bands used in European Union have been assessed for this attestation.
5. The manufacturer shall draw up a written EU declaration of conformity for each radio equipment type and keep it at the disposal of the national authorities for 10 years after the radio equipment has been placed on the market. The EU declaration of conformity shall identify the radio equipment type for which it has been drawn up. A copy of the EU declaration of conformity shall be made available to the relevant authorities upon request.





Importeur	Decobus Handel GmbH		
Adresse	Innungsstraße 9, 21244 Buchholz, Deutschland		
Email/URL	https://www.decobusgroup.de		
Hersteller	Guangdong Zhangong Electrical Technology Co. LTD		
Adresse	701, Building 29, hifu Garden, Xingtan Town, Shunde District, Foshan City, Guangdong Province		
Email/URL	zkt@zkt-lab.com		
Partienumm	202505		
Hergestellt in	China		
<table border="1"><tr><td>EC</td><td>REP</td></tr></table>	EC	REP	Decobus Handel GmbH Innungsstraße 9, 21244 Buchholz, Deutschland https://www.decobusgroup.de
EC	REP		



Importeur	Decobus Handel GmbH		
Adresse	Innungsstraße 9,21244 Buchholz,Deutschland		
Email/URL	https://www.decobusgroup.de		
Hersteller	Dongguan Yihong Hardware Electronics Co.. Ltd		
Adresse	Room 1106.No.2,Shangheng Road, Chang an Town		
Email/URL	414564409@qq.com		
Partienumm	202505		
Hergestellt in	China		
Produkt:LED Controller Modell: YH-252			
Nennspannung:5 V Nennfrequenz: 50/60Hz Leistung: 15W			
<table border="1"><tr><td>EC</td><td>REP</td></tr></table>	EC	REP	Decobus Handel GmbH Innungsstraße 9,21244 Buchholz,Deutschland https://www.decobusgroup.de
EC	REP		



Importeur	Decobus Handel GmbH		
Adresse	Innungsstraße 9,21244 Buchholz,Deutschland		
Email/URL	https://www.decobusgroup.de		
Hersteller	Foshan Xinwang Intelligent Technology Co., Ltd.		
Adresse	The fifth floor of Building 3, Haitian Lanyu Science and Technology Industrial Park, No. 5, Industrial 2nd Road, Shilongzi Community, Shiyan Street, Bao'an District, Shenzhen		
Email/URL	610488898@qq.com		
Partienumm	202505		
Hergestellt in	China		
Produkt:LED soft light strip Model:HZY-5050RGB-60D-5V			
Nennspannung:5 V Nennfrequenz: 50/60Hz Leistung: 4.5W/M			
<table border="1"><tr><td>EC</td><td>REP</td></tr></table>	EC	REP	Decobus Handel GmbH Innungsstraße 9,21244 Buchholz,Deutschland https://www.decobusgroup.de
EC	REP		

