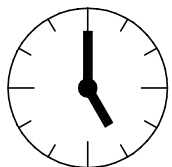
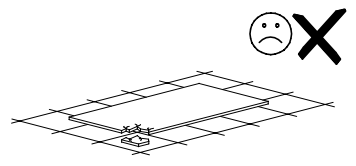
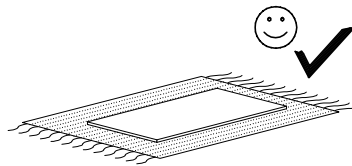
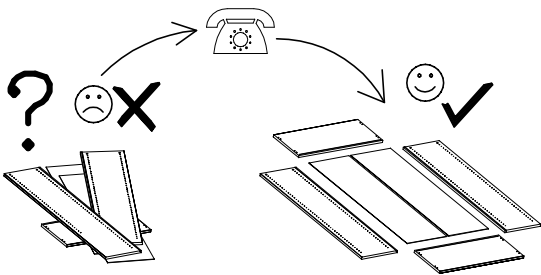
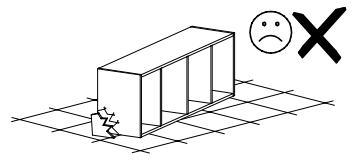
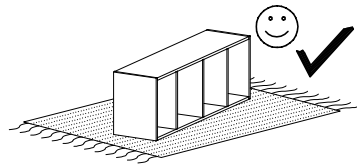
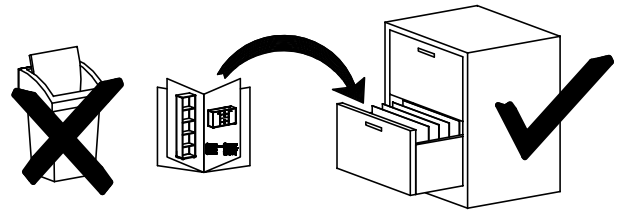
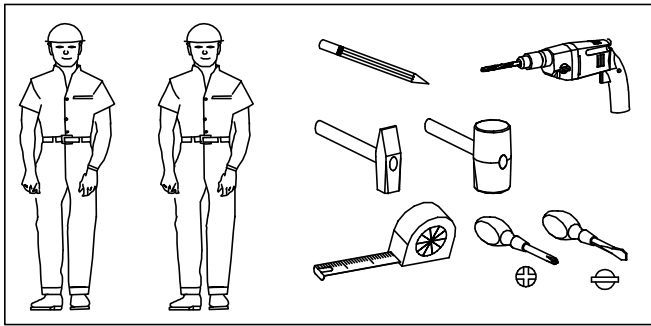
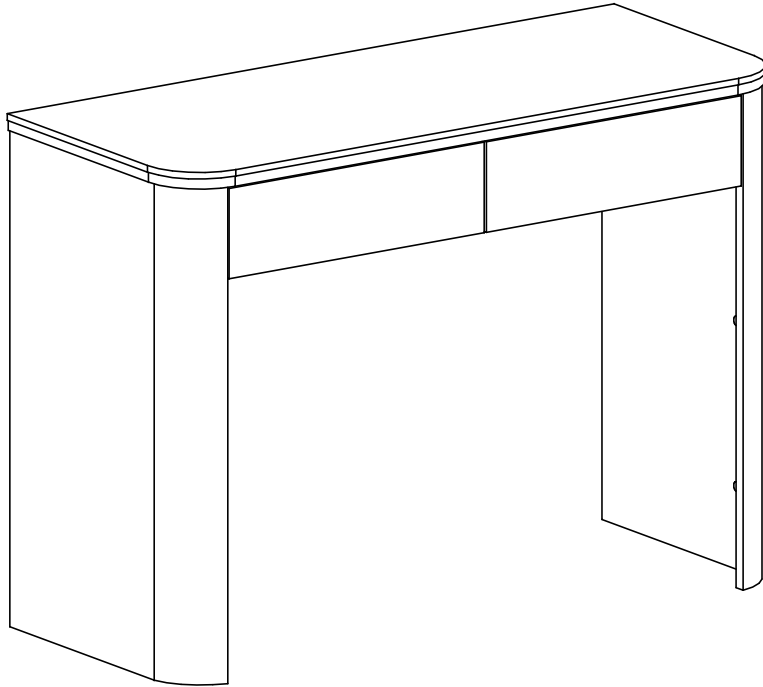
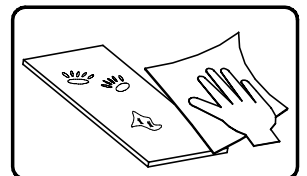
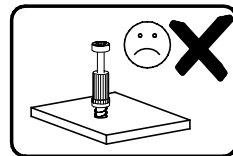
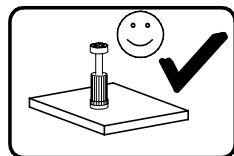


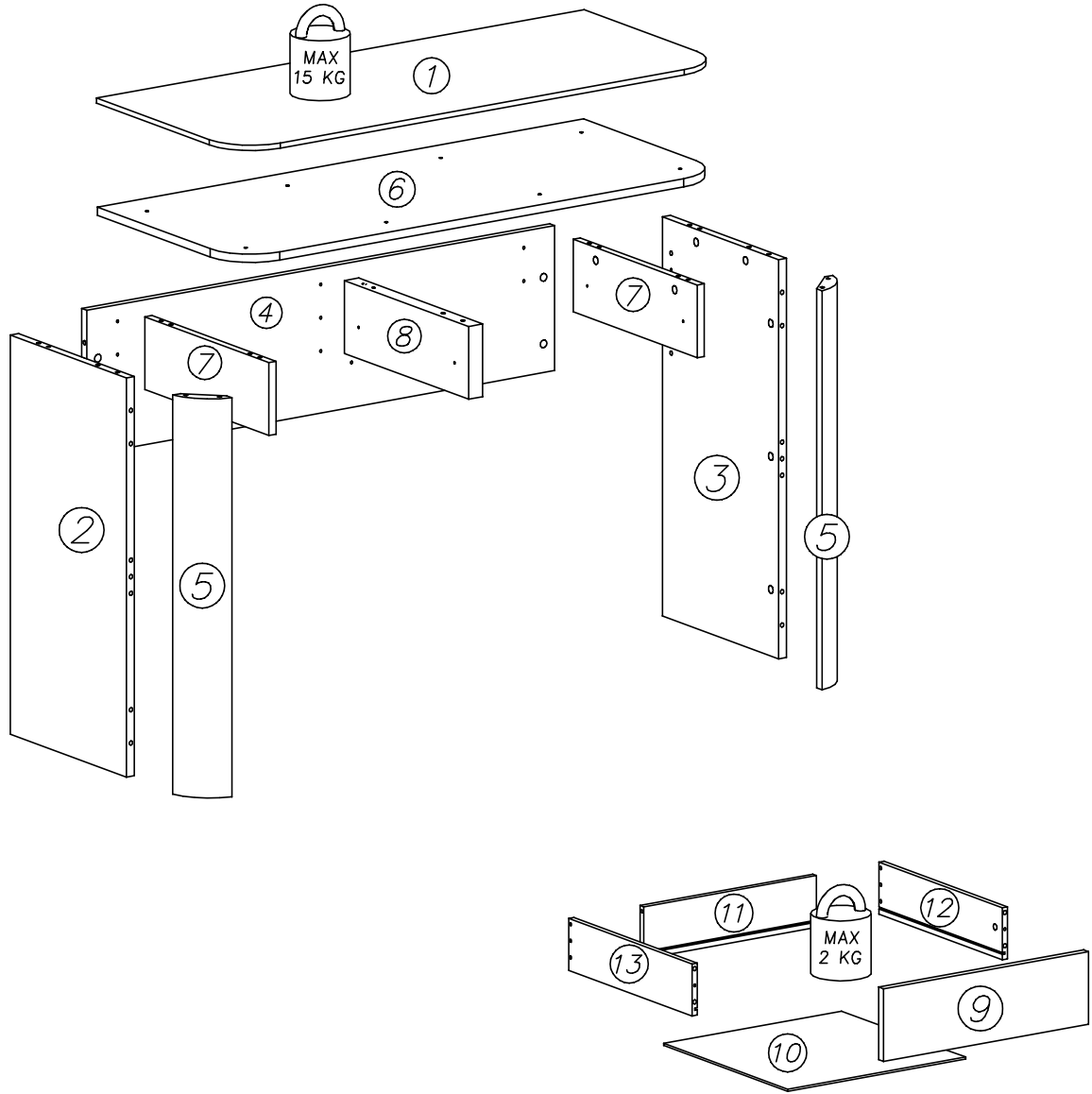
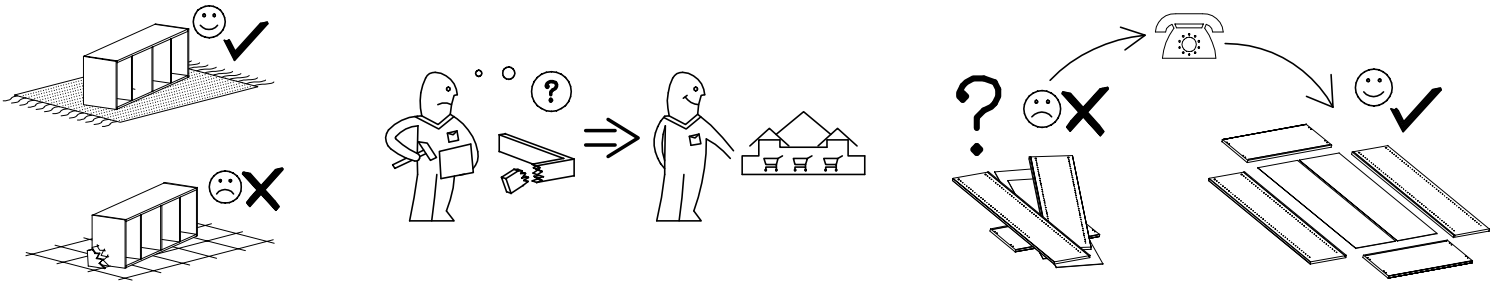
AVELINE TOALETKA



1,5h



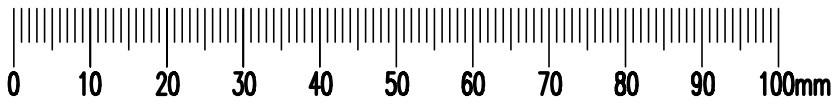
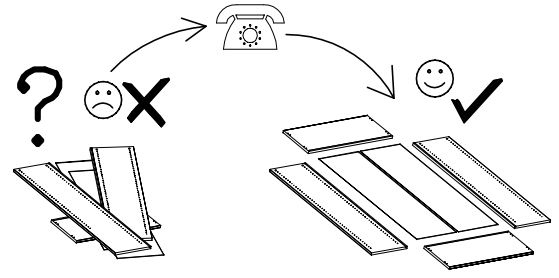
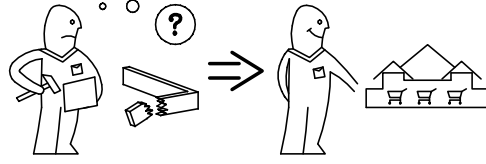
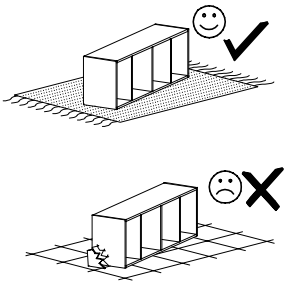
AVELINE TOALETKA


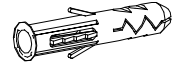


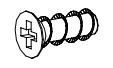



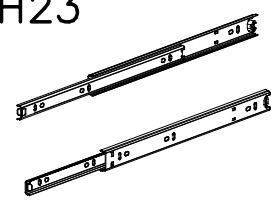

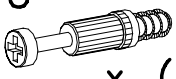
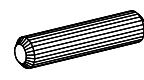
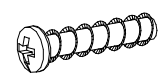
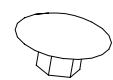


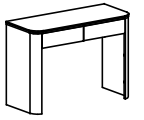
nr	L[mm]	B[mm]	T[mm]	Menge	Colli
1	1107	460	12	1	1/1
2	768	376	18	1	1/1
3	768	376	18	1	1/1
4	1062	279	16	1	1/1
5	768	112	30	2	1/1
6	1103	458	16	1	1/1
7	402	140	16	2	1/1

nr	L[mm]	B[mm]	T[mm]	Menge	Colli
8	402	140	32	1	1/1
9	465	140	16	2	1/1
10	402	402	3	2	1/1
11	392	100	12	2	1/1
12	400	100	12	2	1/1
13	400	100	12	2	1/1

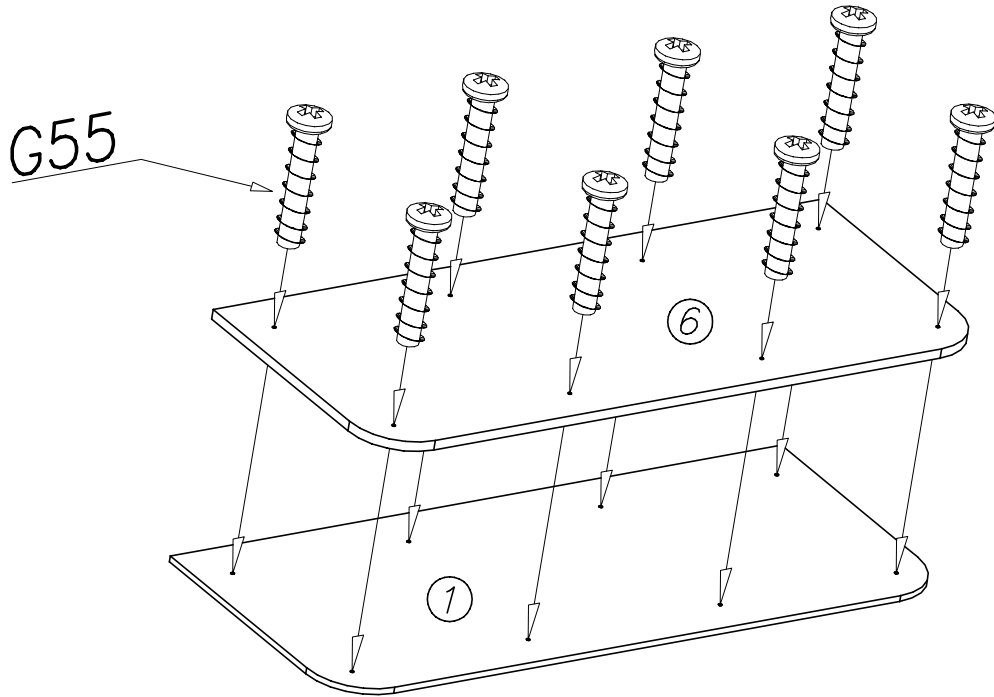
AVELINE TOALETKA



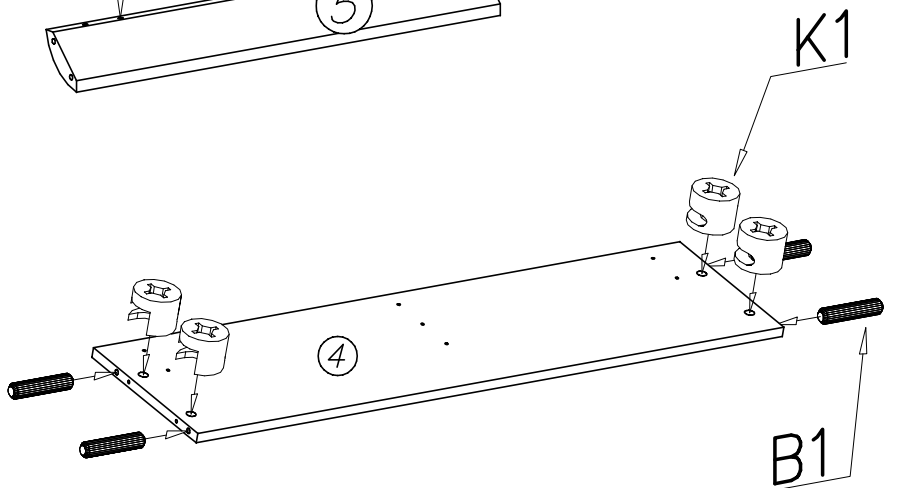
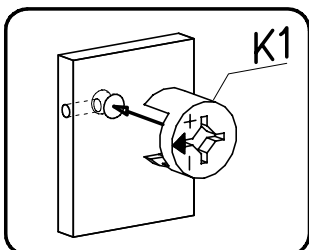
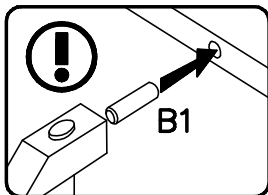
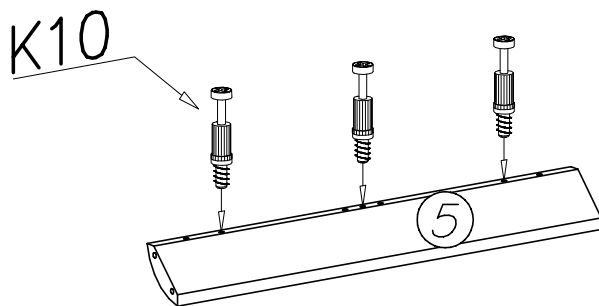
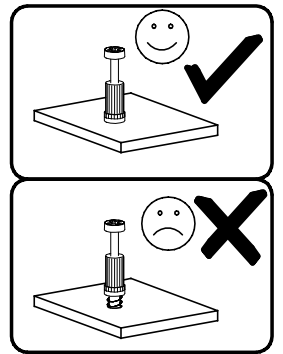
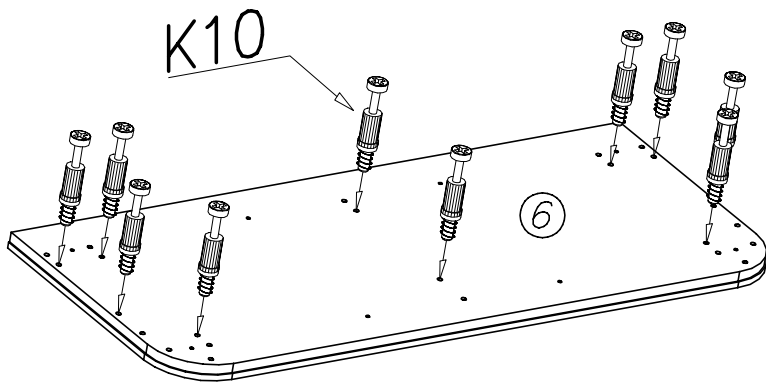
I8  $\varnothing 14$ x...(1)	U6  $\varnothing 8 \times 40$ x...(1)	G28  4×60 x...(1)	G14  $3,5 \times 45$ x...(6)	G20  5×11 x...(16)
K1  $\varnothing 15 \times 12$ x...(20)	P4  x...(6)	A6  $\varnothing 7 \times 40$ x...(8)	H23  $H27-400\text{mm}$ x...(2)	K4  $\varnothing 12 \times 10$ x...(4)
K10  x...(24)	B1  $\varnothing 8 \times 35$ x...(26)	G55  6×22 x...(8)	I7  $\varnothing 18$ x...(22)	

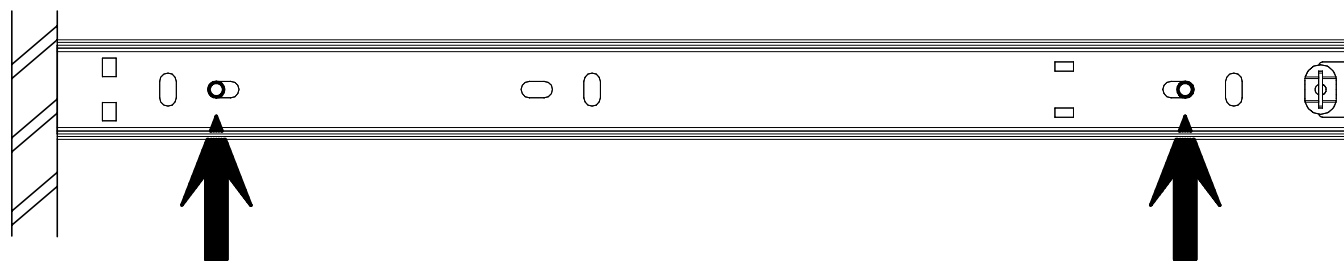
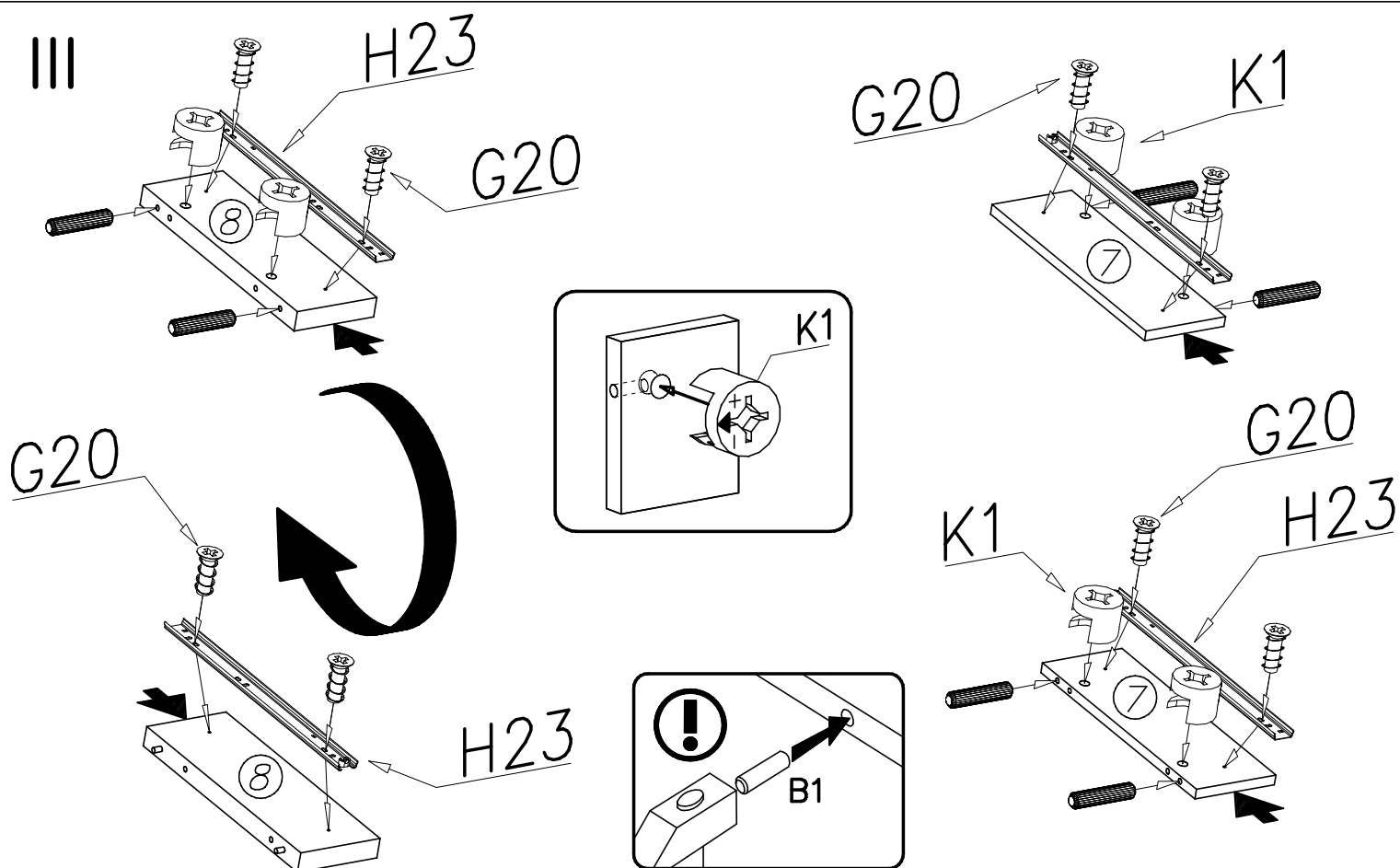
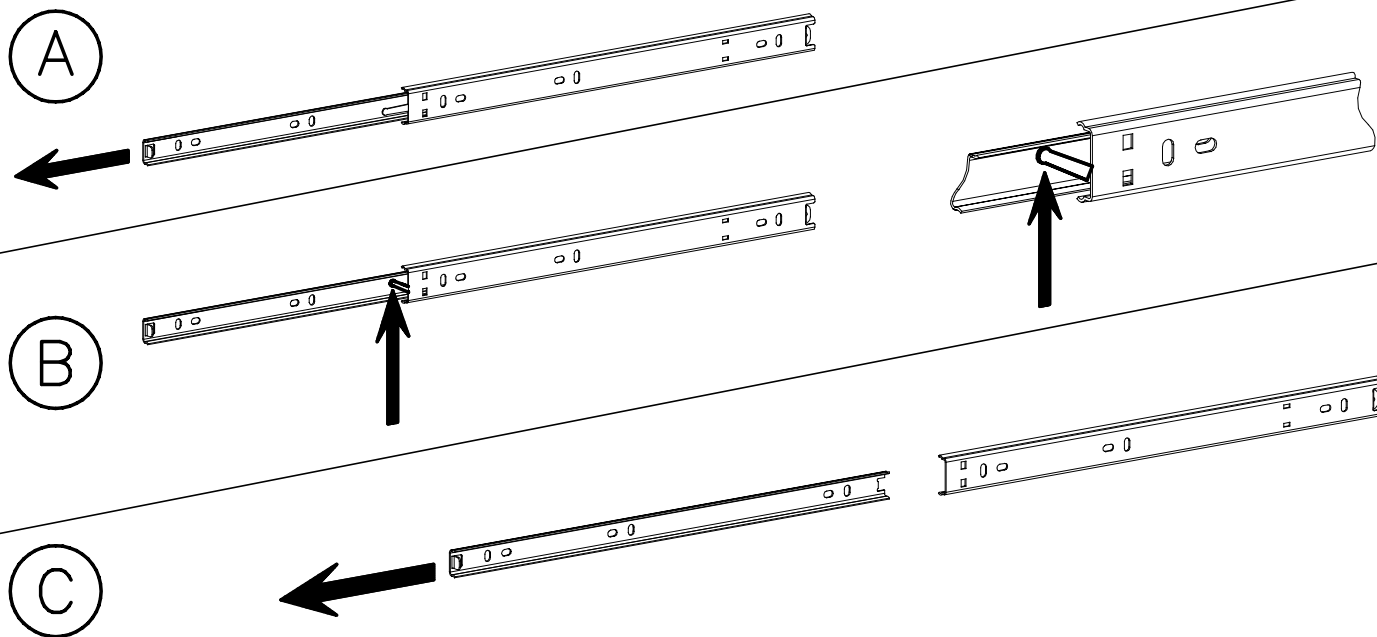
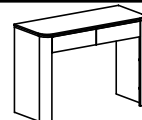


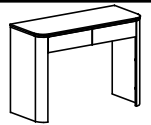
I



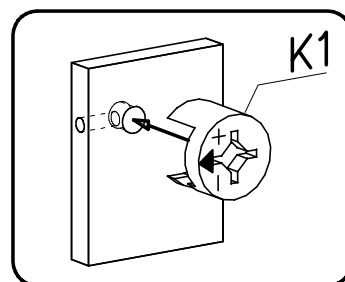
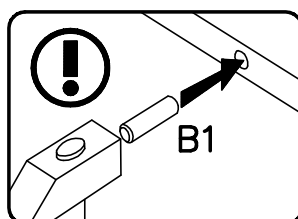
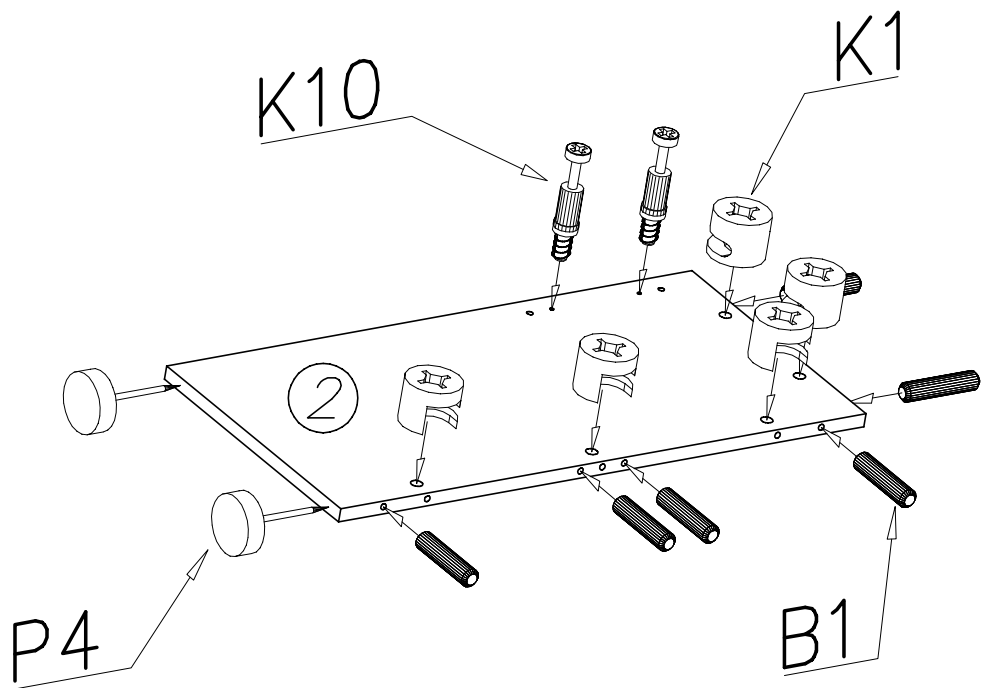
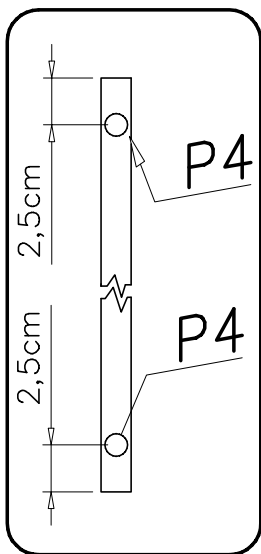
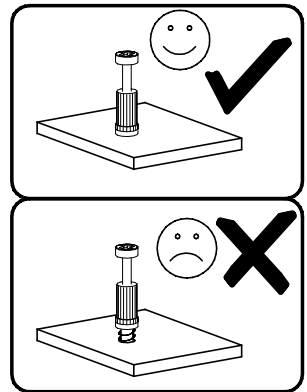
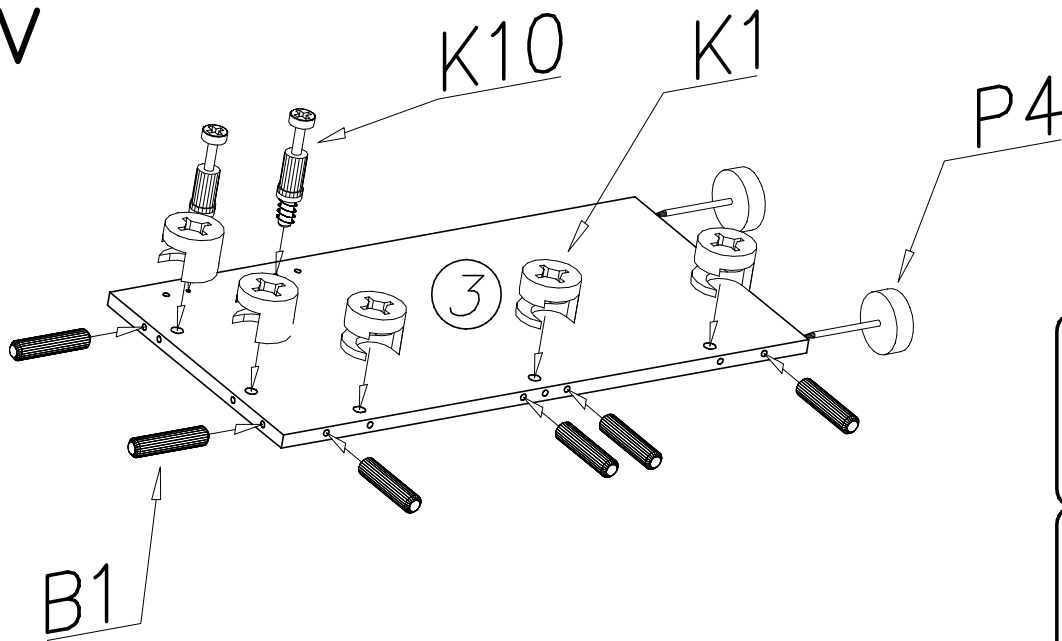
II

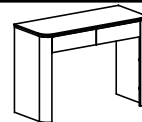




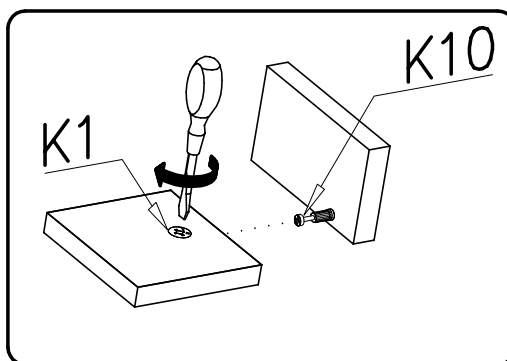
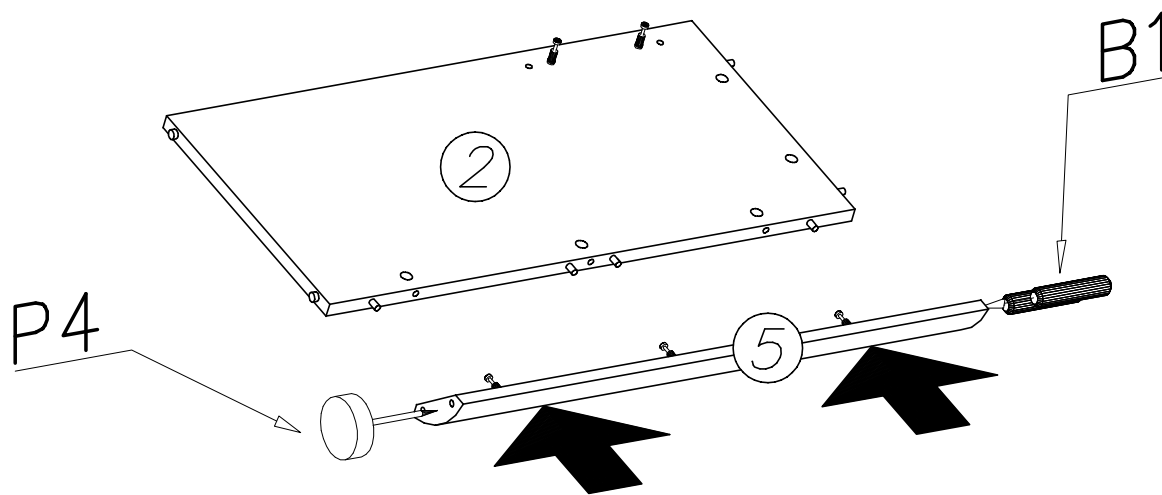
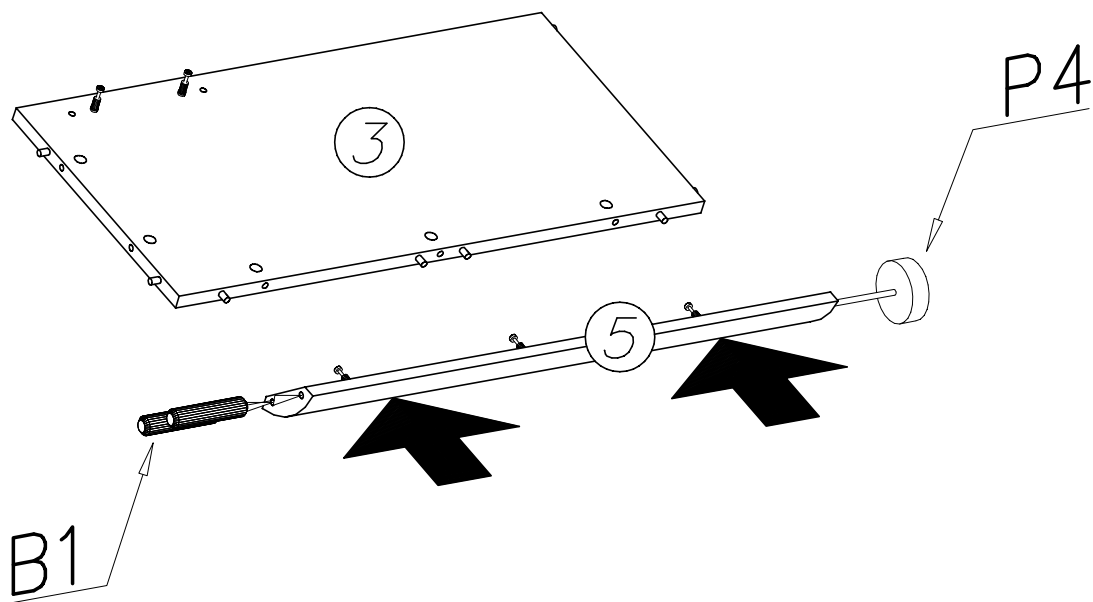


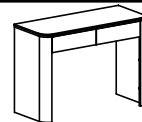
IV



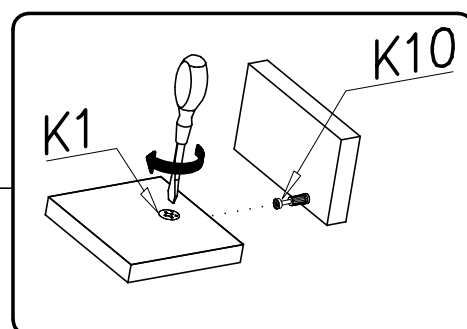
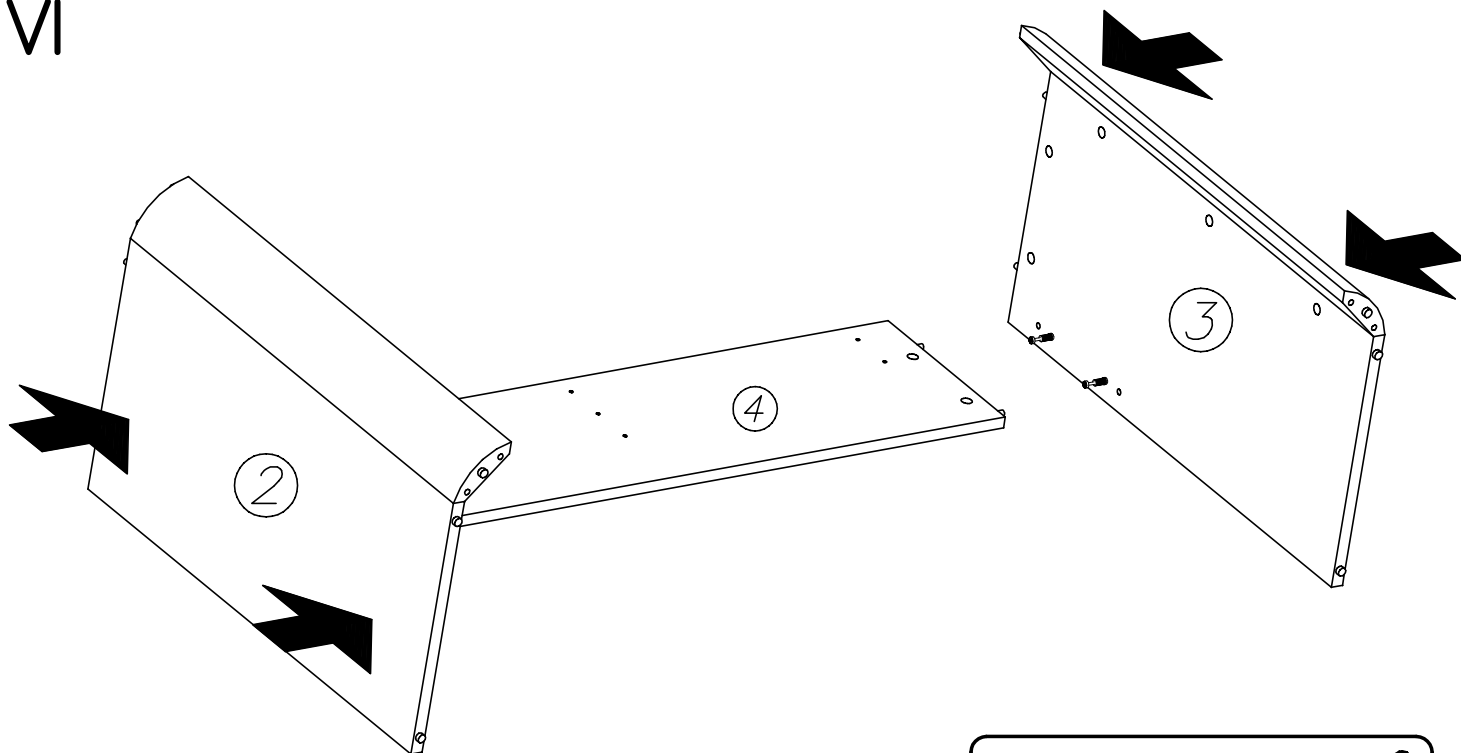


V

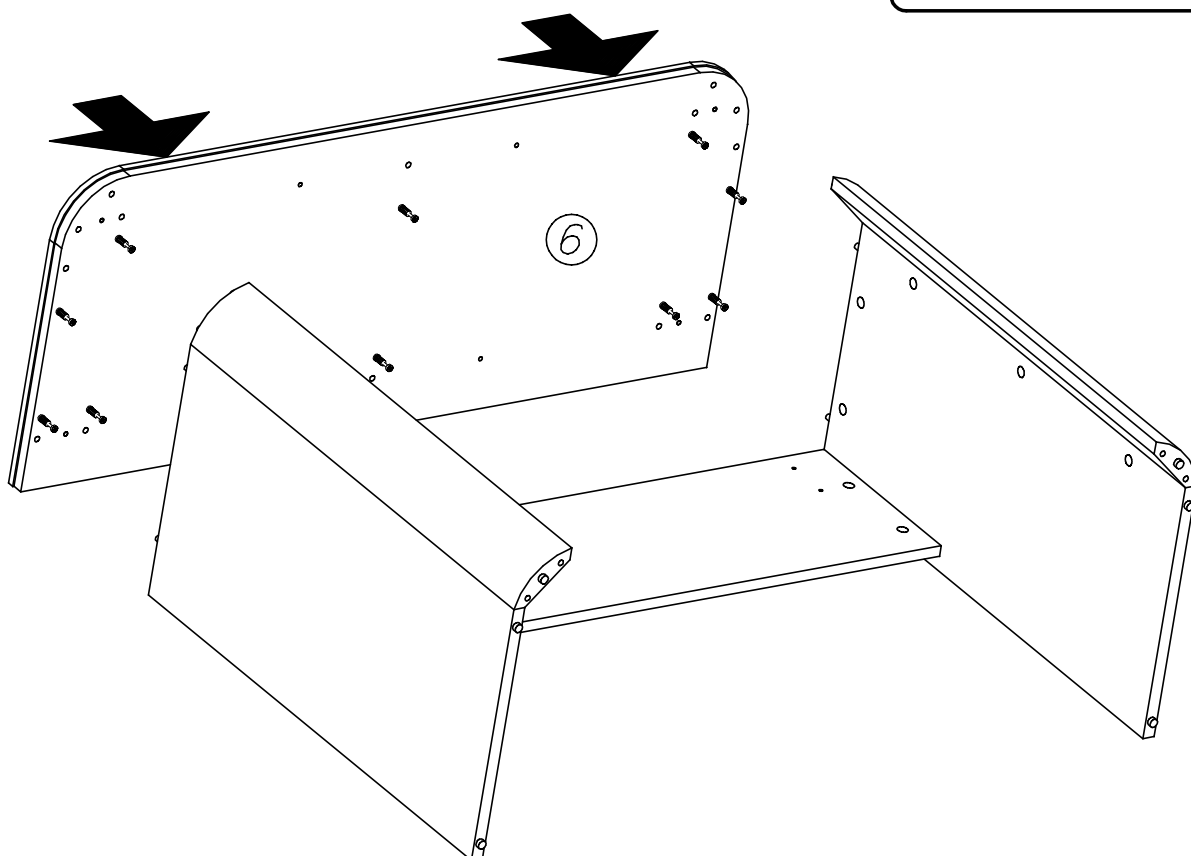


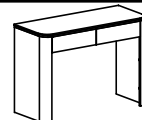


VI

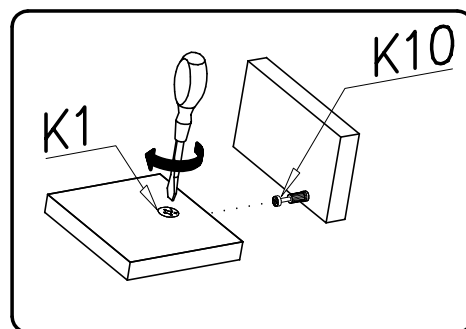
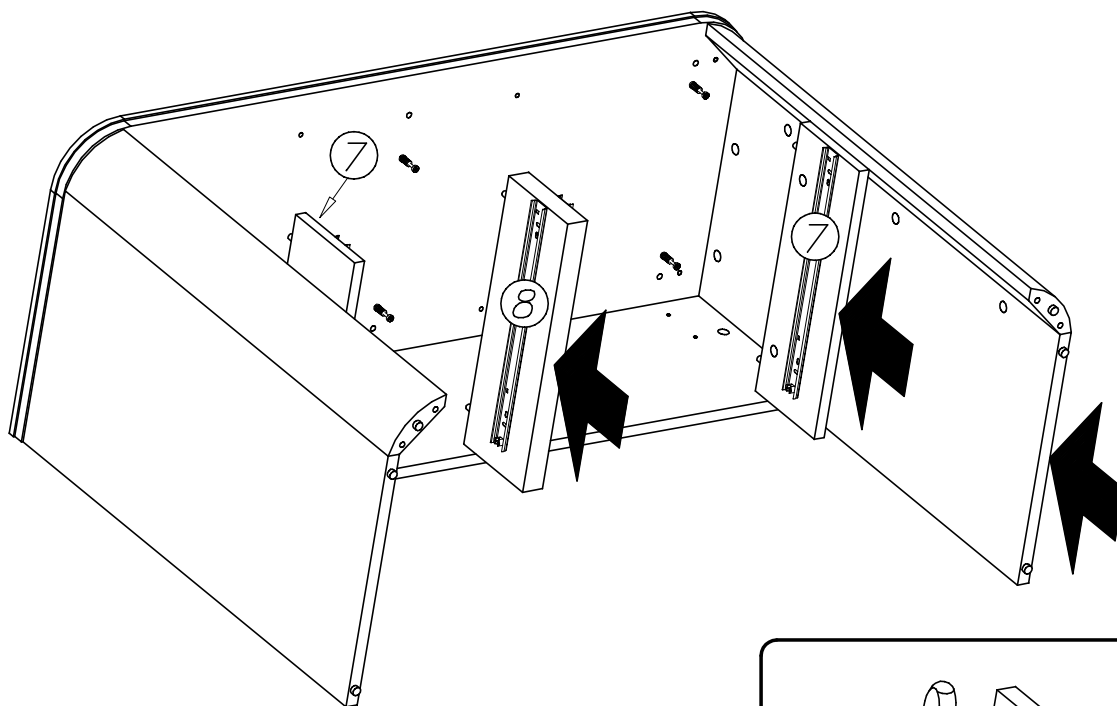


VII

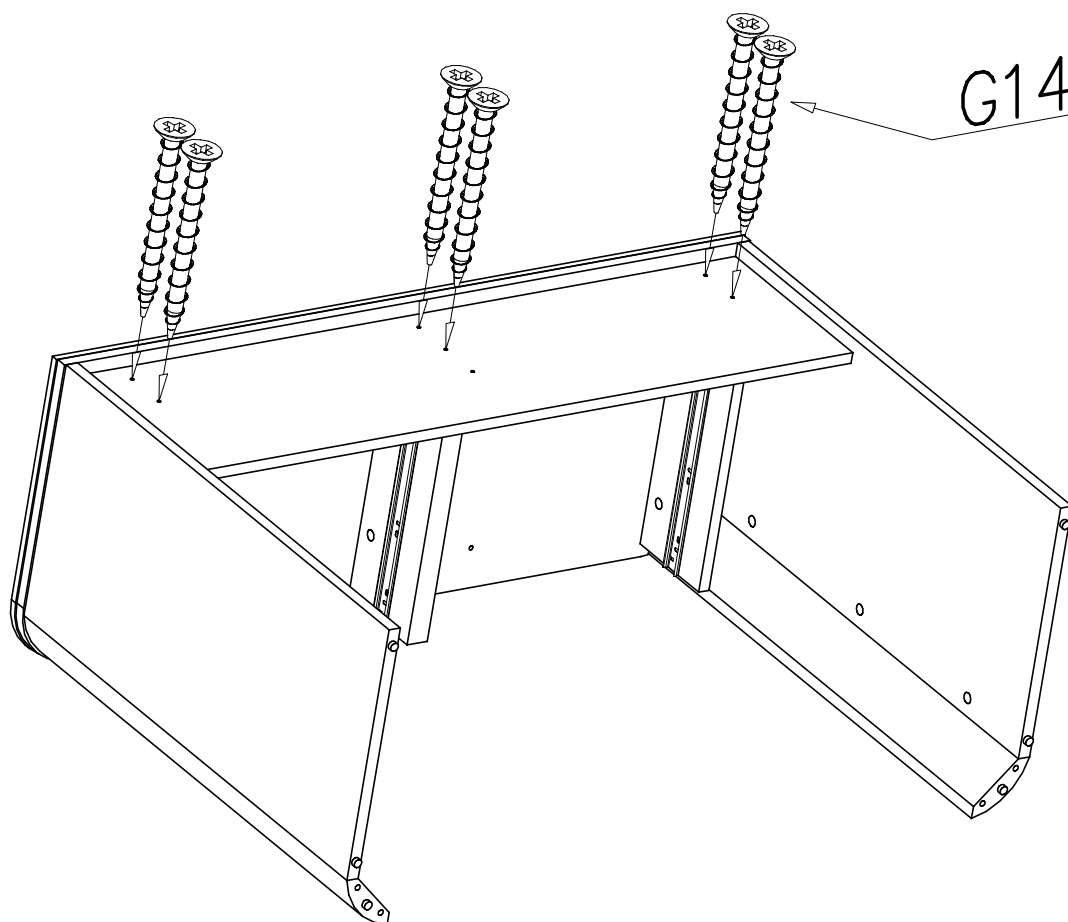


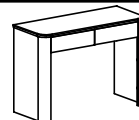


VIII



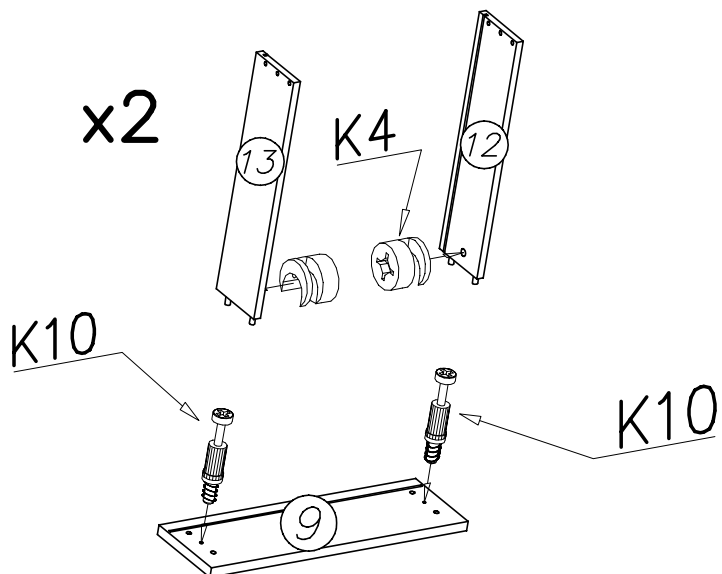
IX



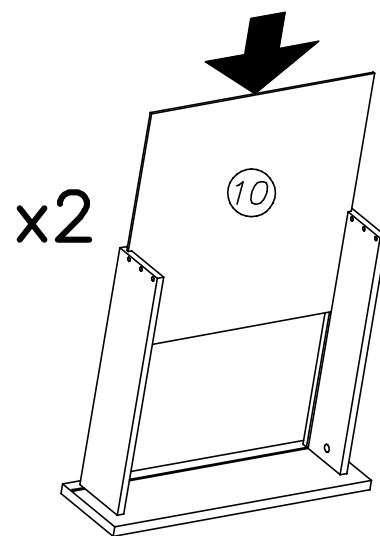


X

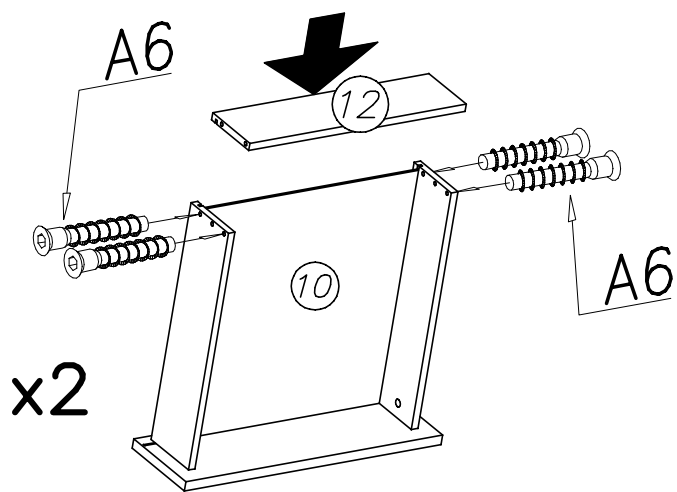
x2



x2

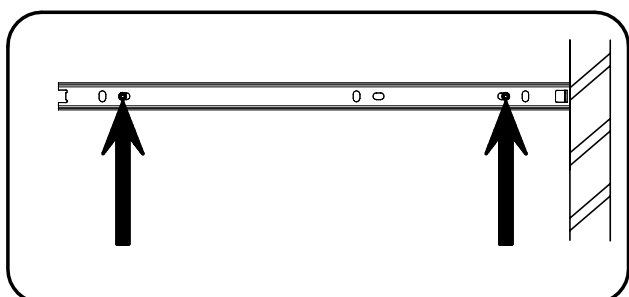
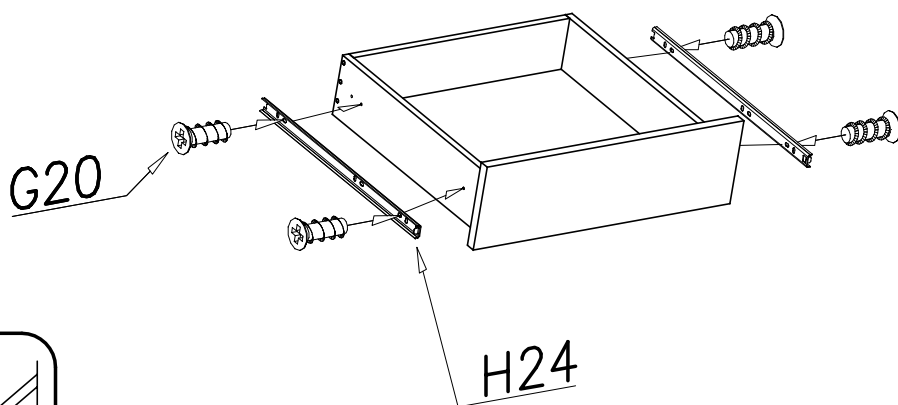


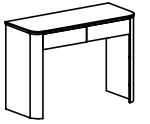
A6



x2

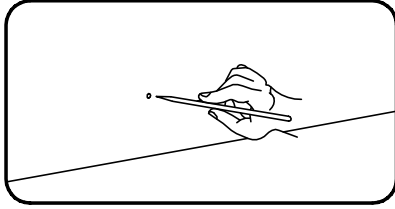
x2



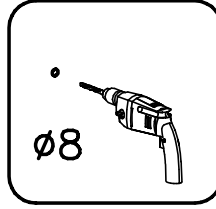


XI

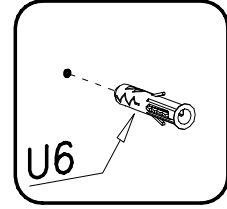
1



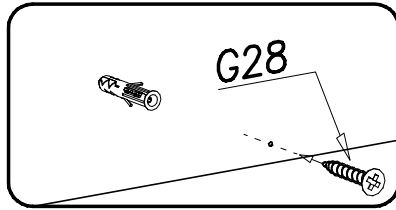
2



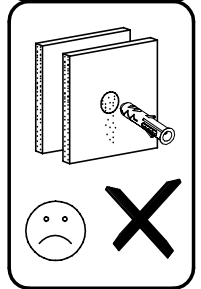
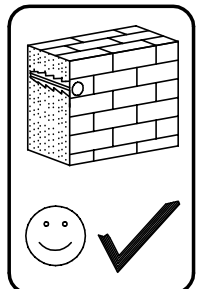
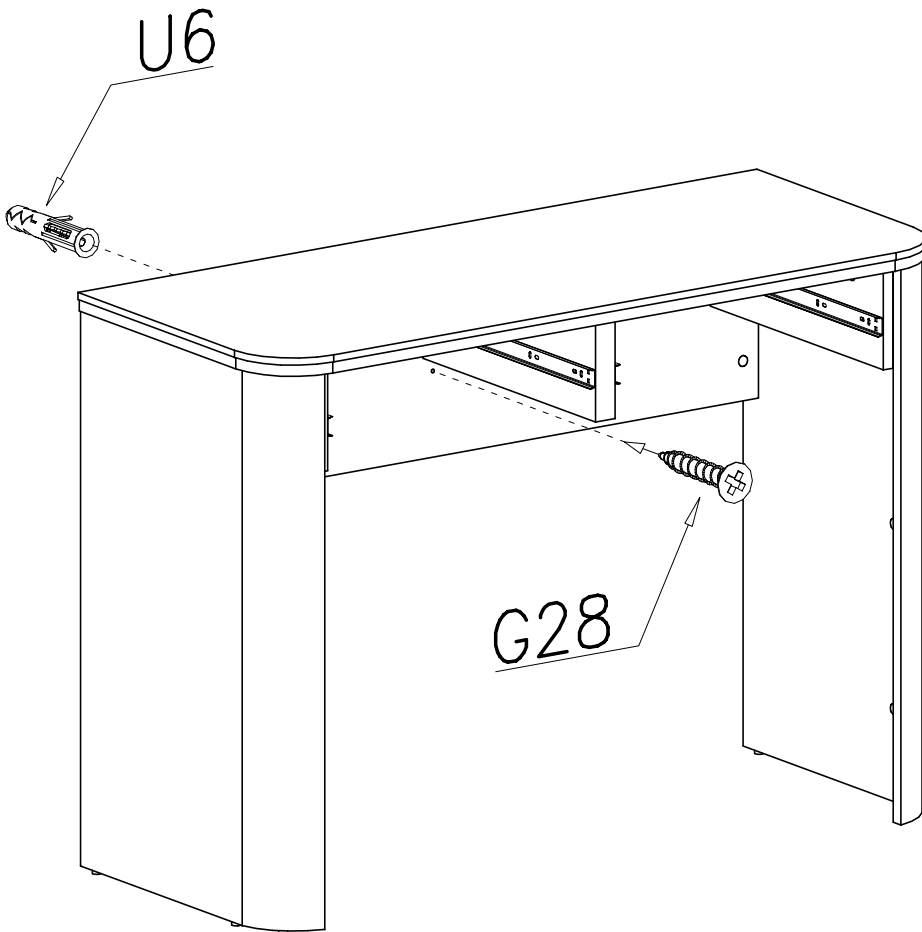
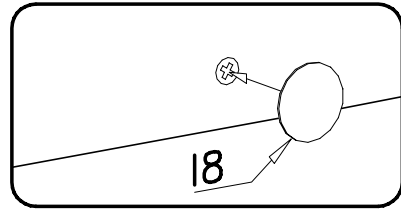
3

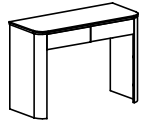


4

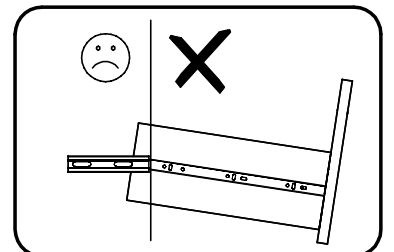
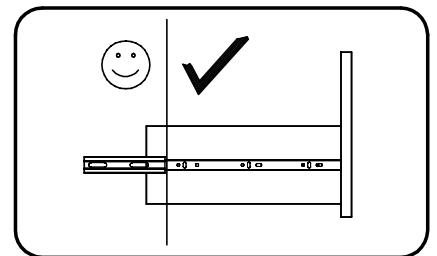
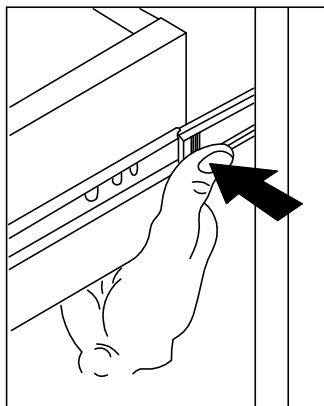
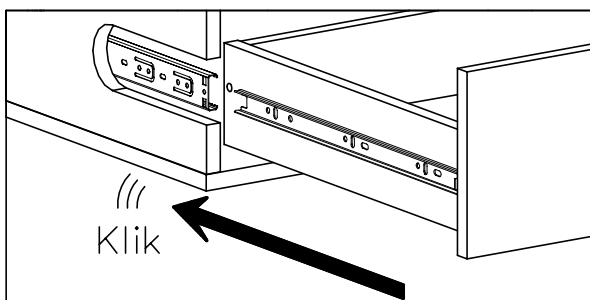
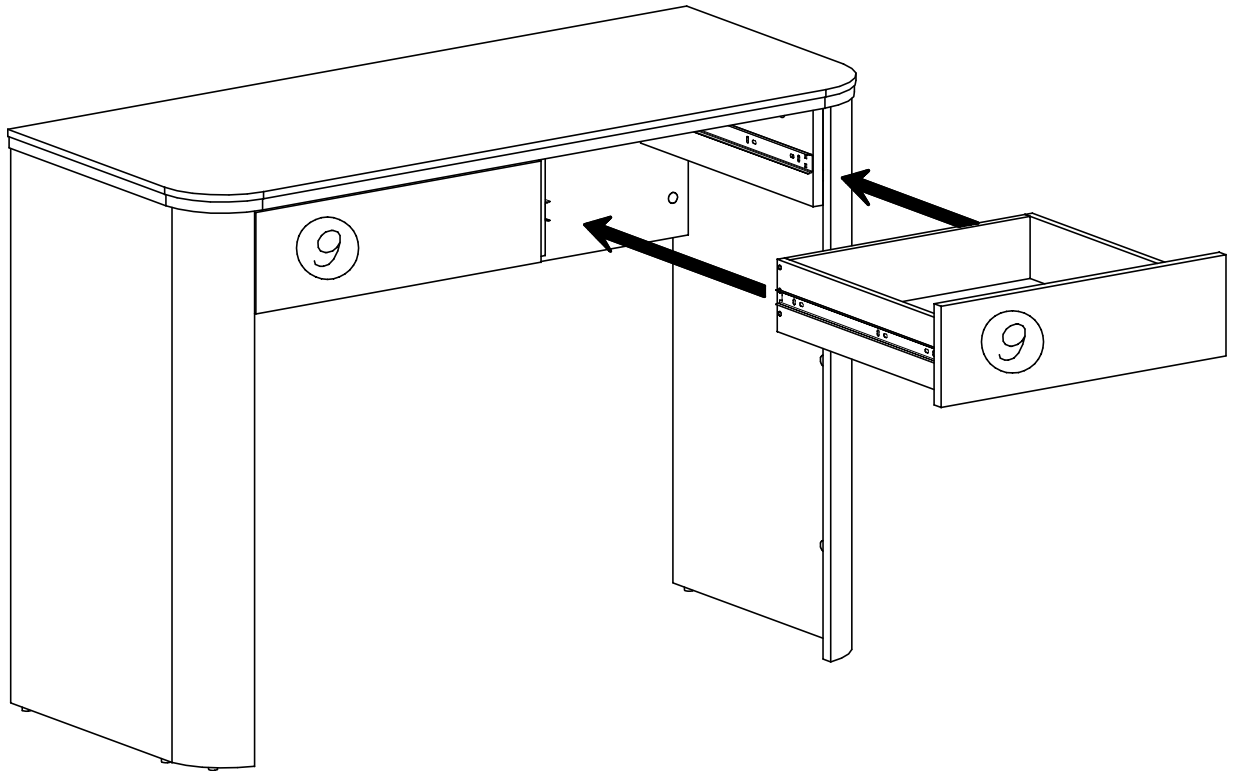


5





XII





Uwaga • Upozornění • Achtung • Attention • Caution • Figyelem
 Attenzione • Opgelet • Внимание • Atenție • Upozornenie • Dikkat

