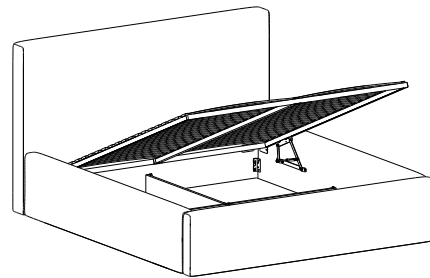
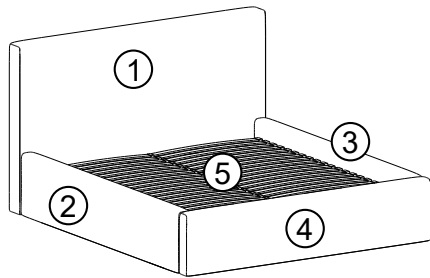
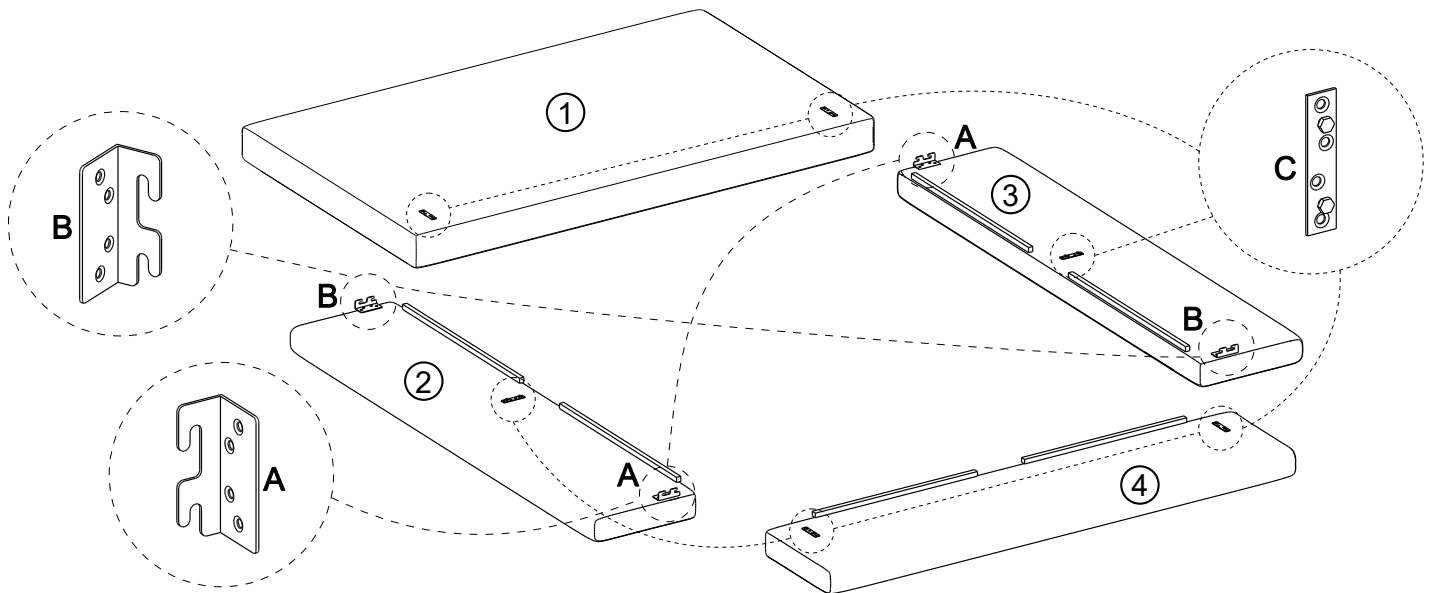
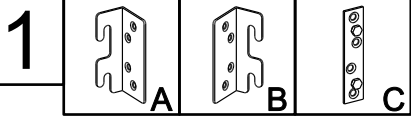
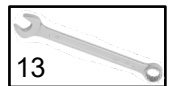
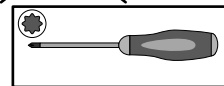
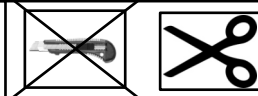
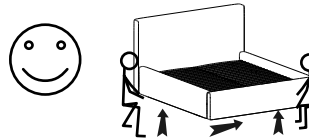
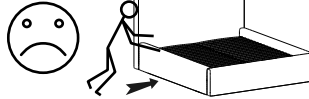


UPHOLSTERED
BED
POLSTERBETT
ŁÓŻKO TAPICEROWANE



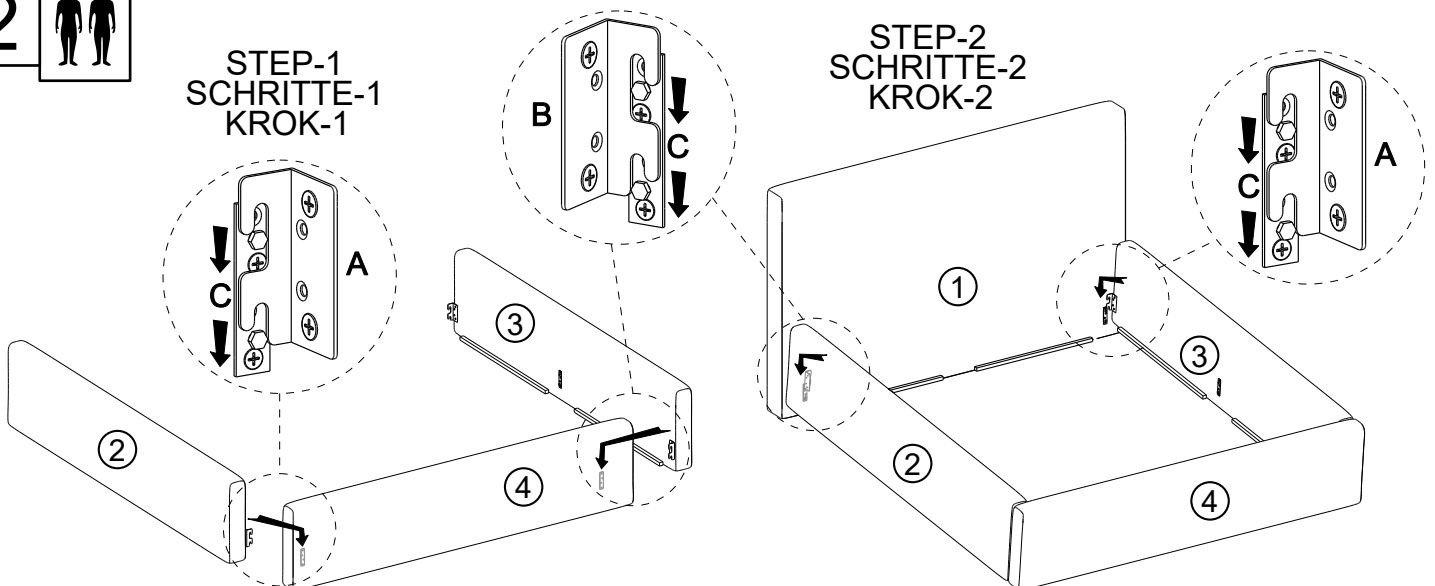
#	QUANTITY MENGE ILOŚĆ
1	1
2	1
3	1
4	1
5	1



2

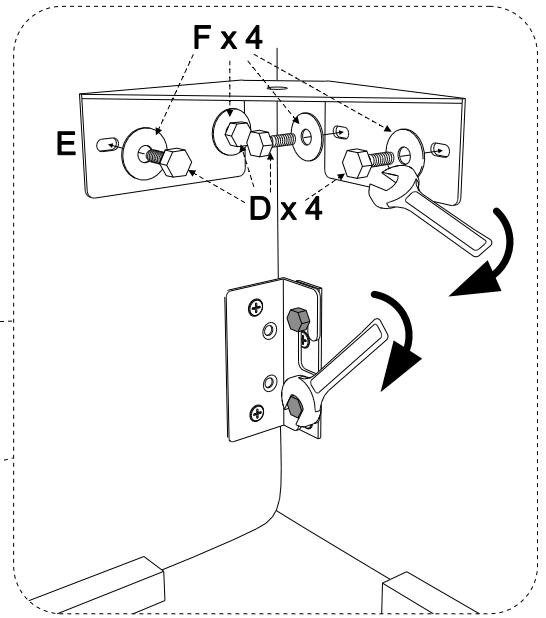
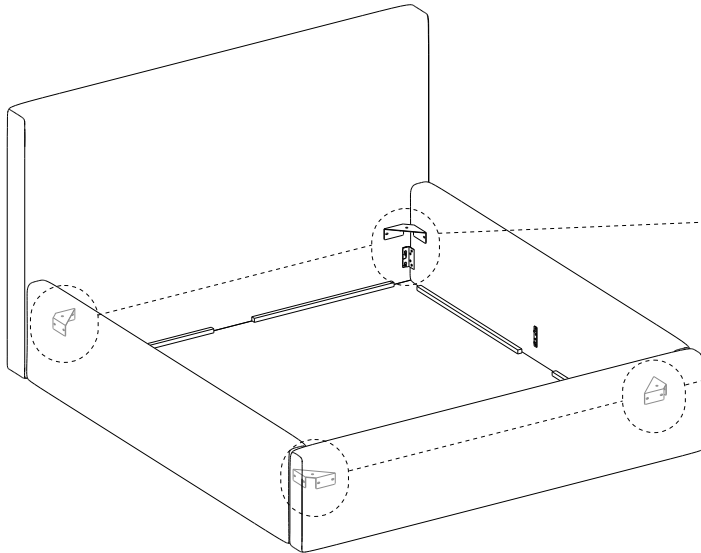
STEP-1
SCHITTE-1
KROK-1

STEP-2
SCHITTE-2
KROK-2



3

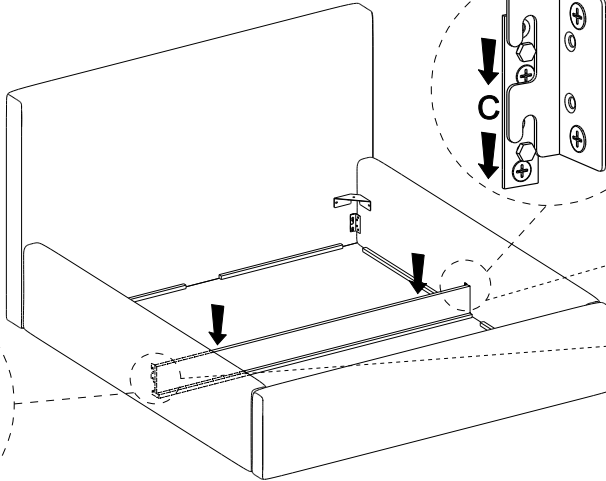
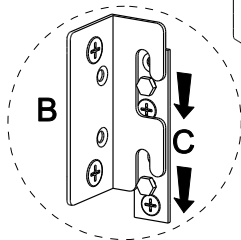
M8x30mm		
D	E	F
16	4	16



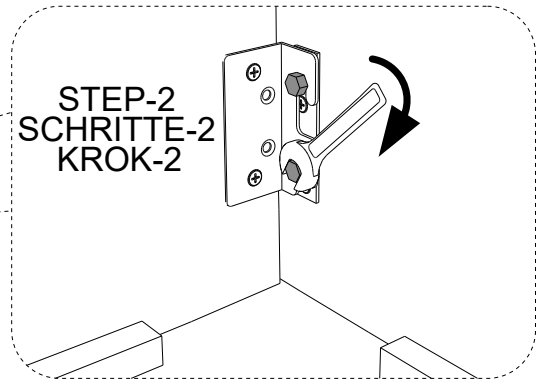
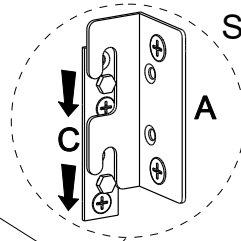
4

G
1

STEP-1
SCHRITTE-1
KROK-1

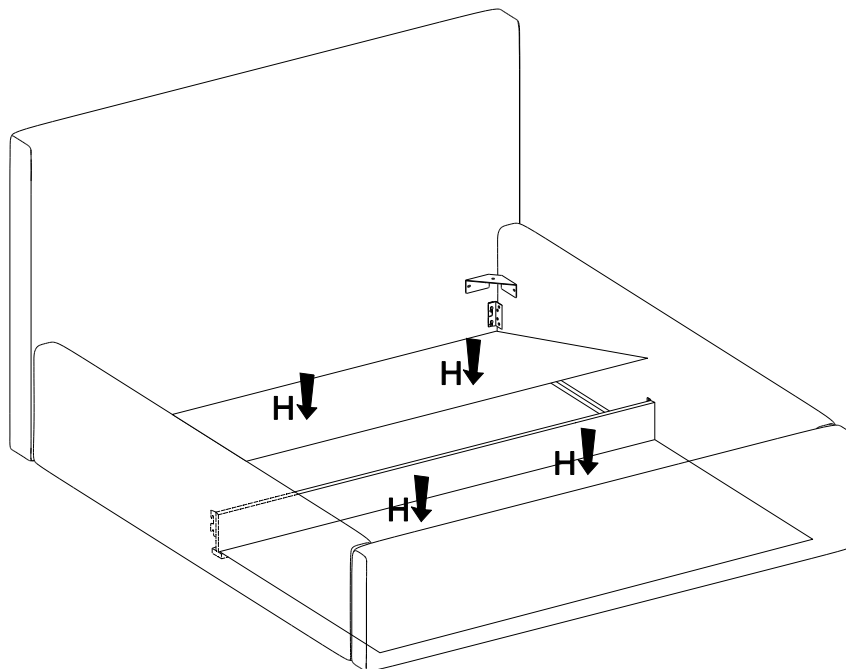


STEP-1
SCHRITTE-1
KROK-1

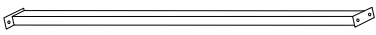


5

H
2

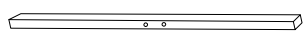


⑤ FLEXIBLE FRAME BED

A x 1 

E x 50 

I x 8 


B x 1 


F x 4 

J x 4  M8x25


C x 1 

G x 50 



K x 1 

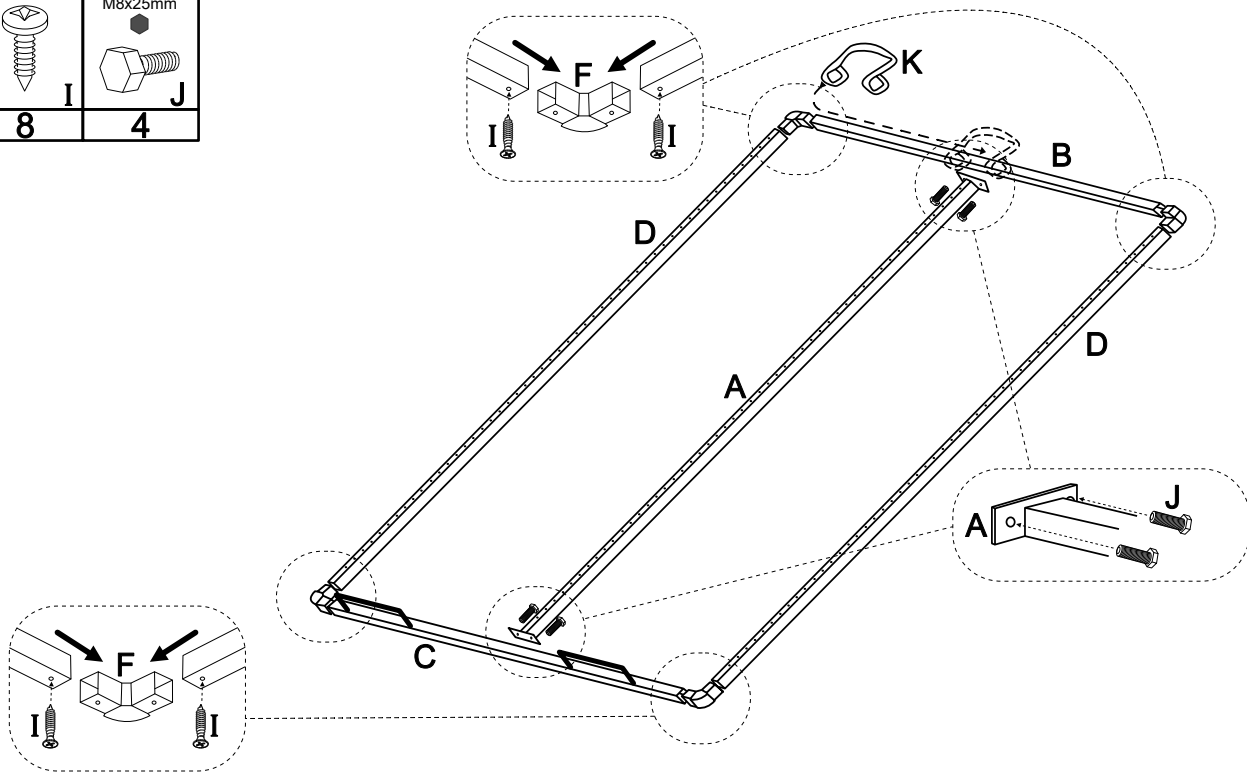
D x 2 

H x 25 

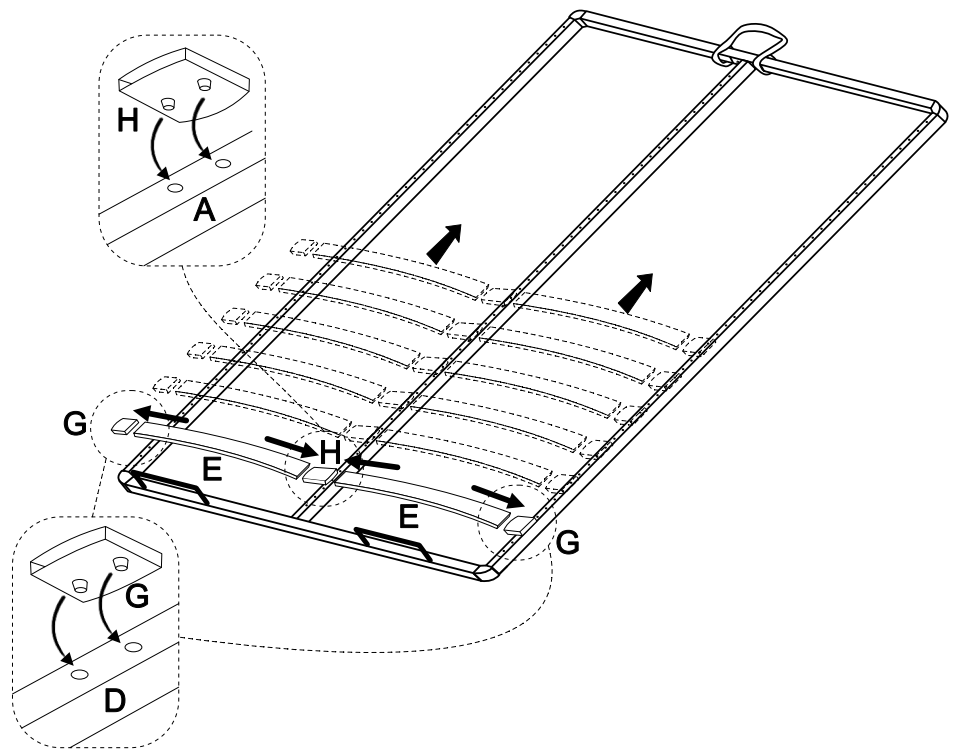
L x 4  M8x45

1

	
I	J
8	4

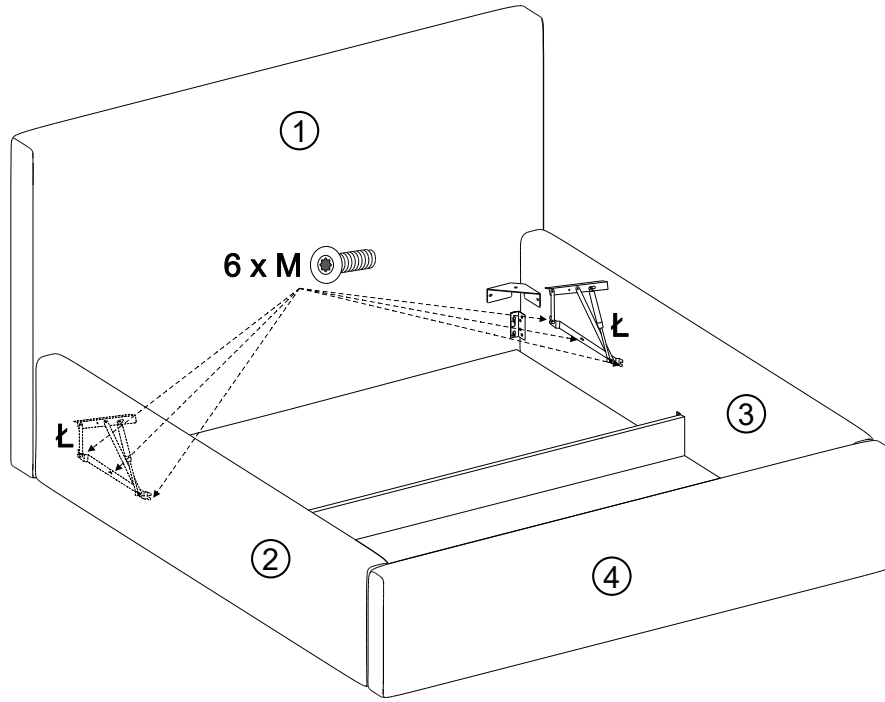
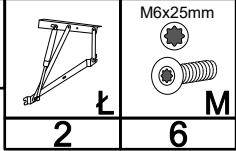


2



⑤ FLEXIBLE FRAME BED

3



4

