























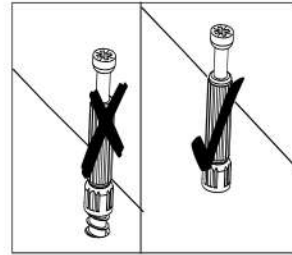
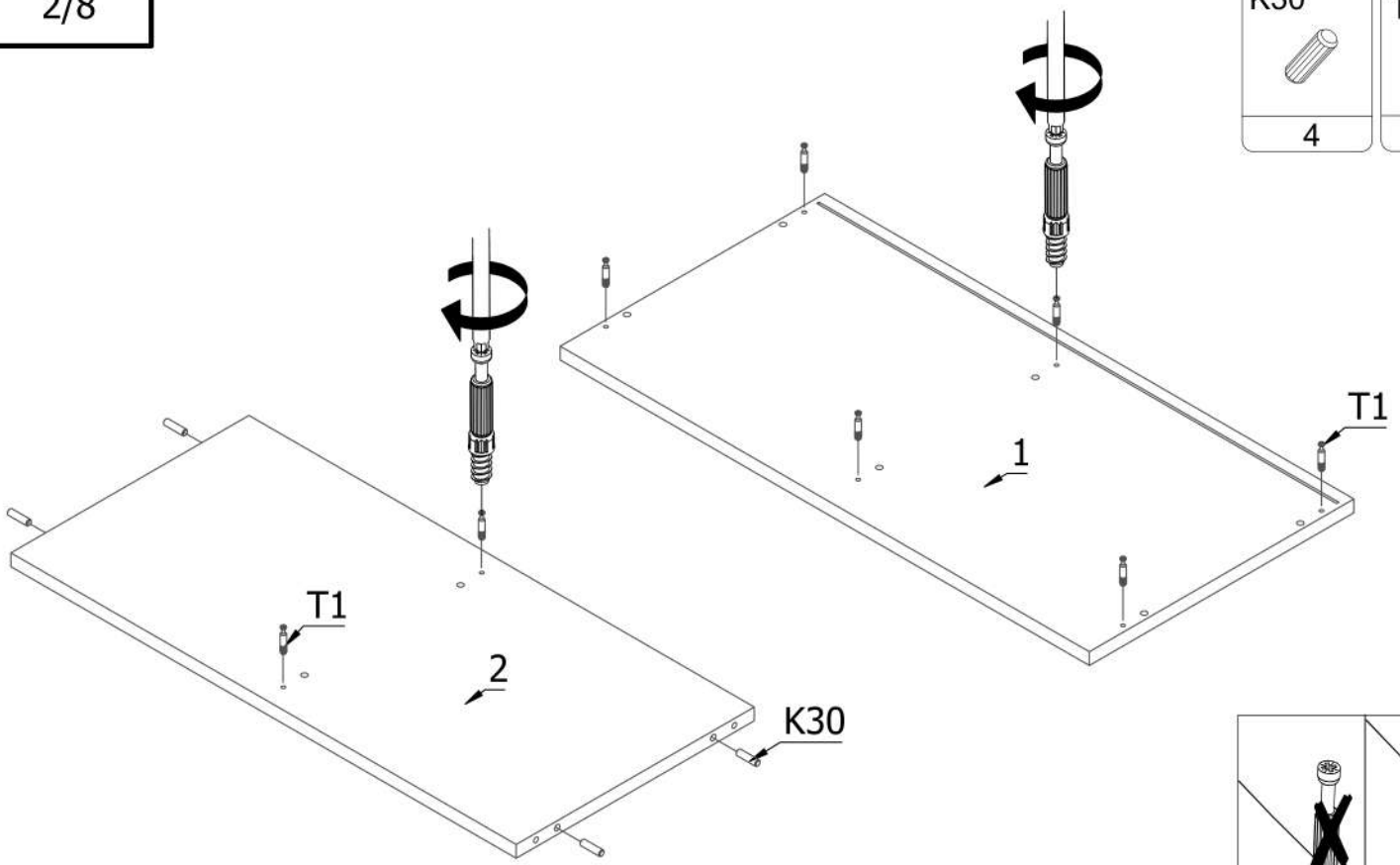





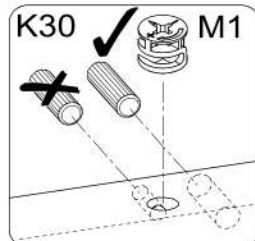
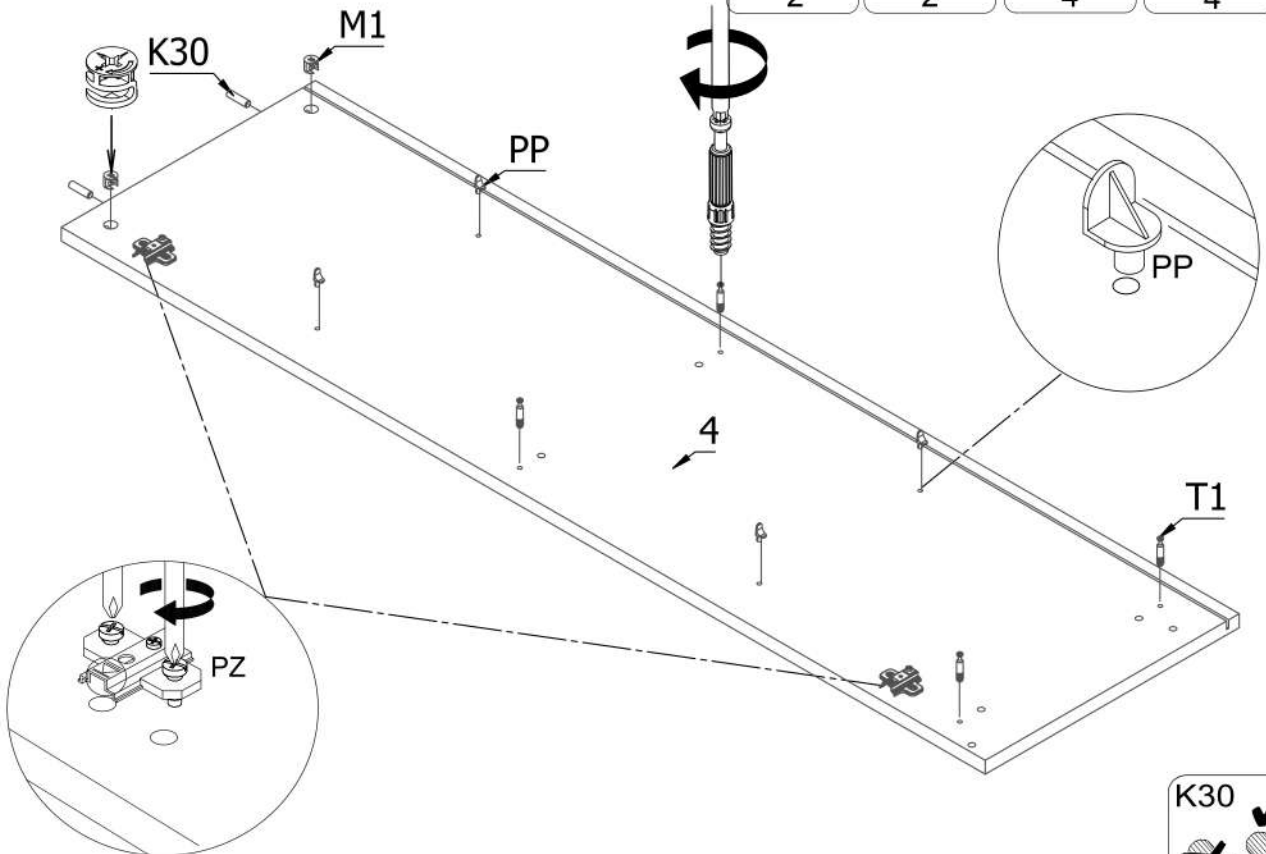


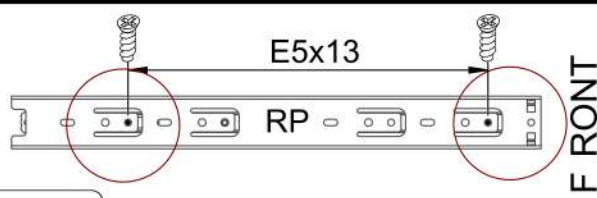
K30  42	T1  28	M1  32	x  32	STB  8	SN  6	K45  2	MS  1
E5x13  24	T2  2	W4x27  8	GW  20	KF50  6	H35  3	ZM  9	
Q  1	UM  4	PP  12	W4x16  5	PZ  2	ZP  2	W3x16  9	






K30	T1
	
4	8

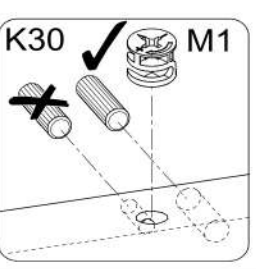
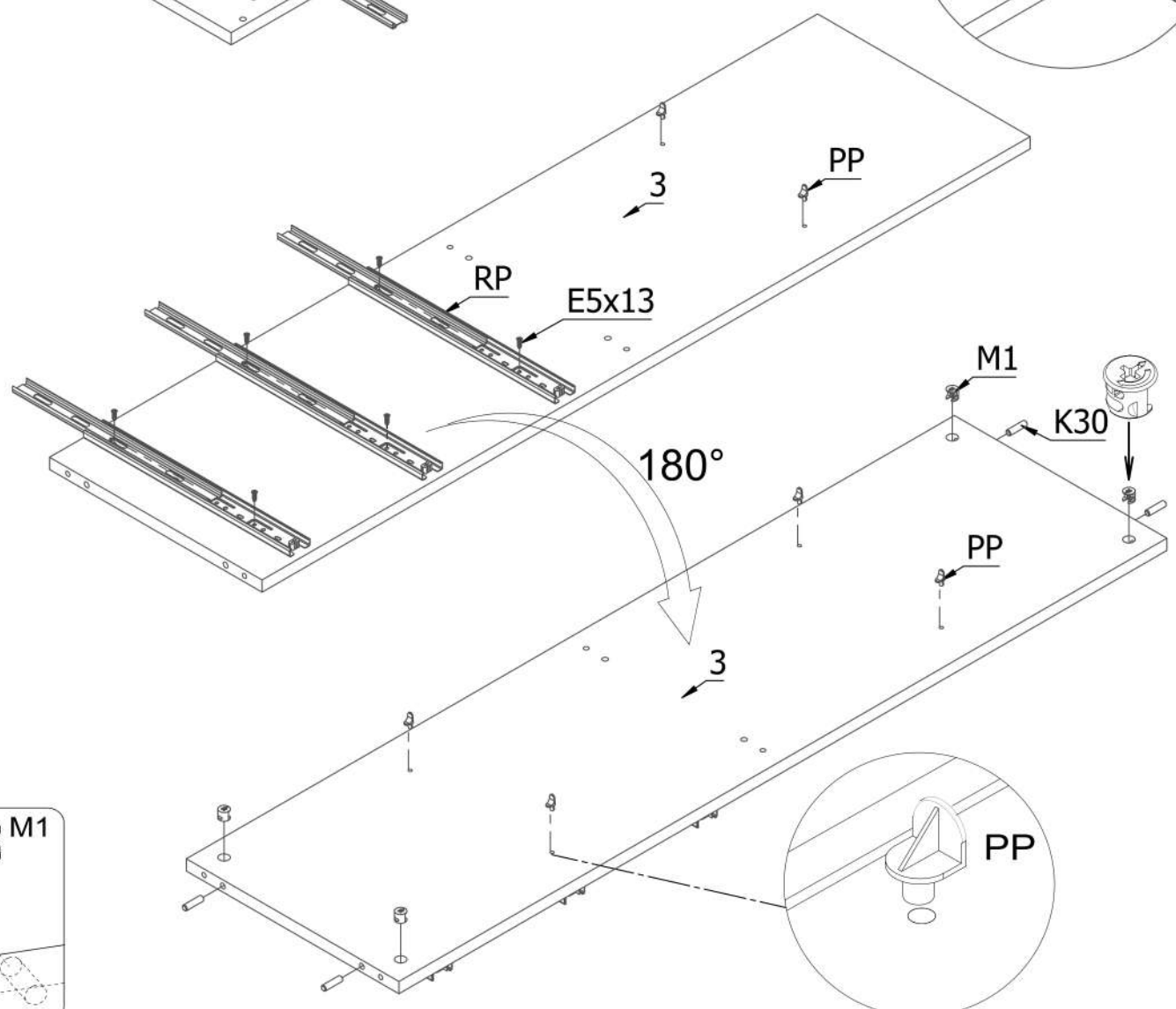
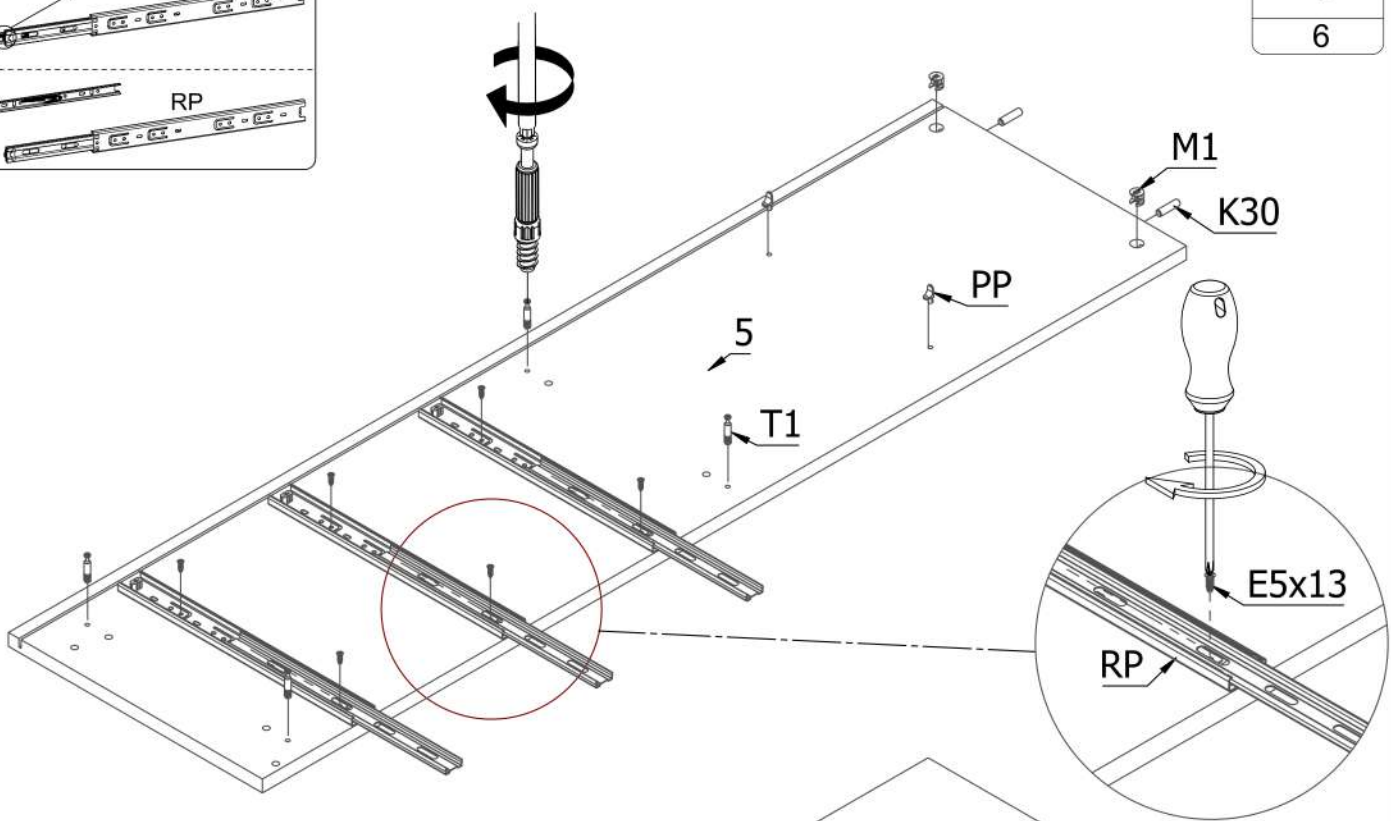
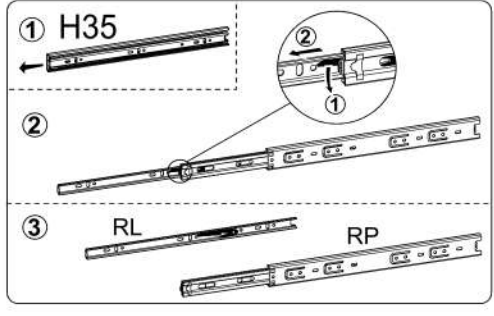




M1	K30	PP	T1	PZ
				
2	2	4	4	2

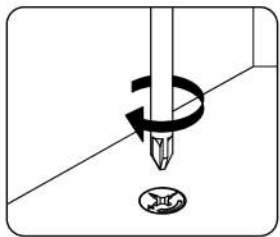
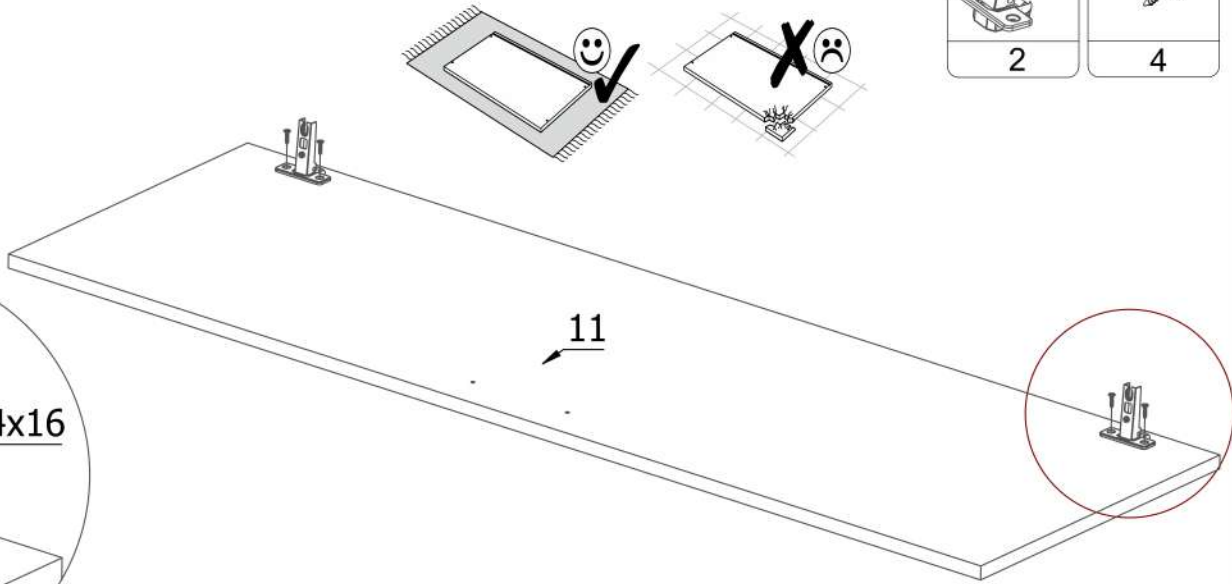
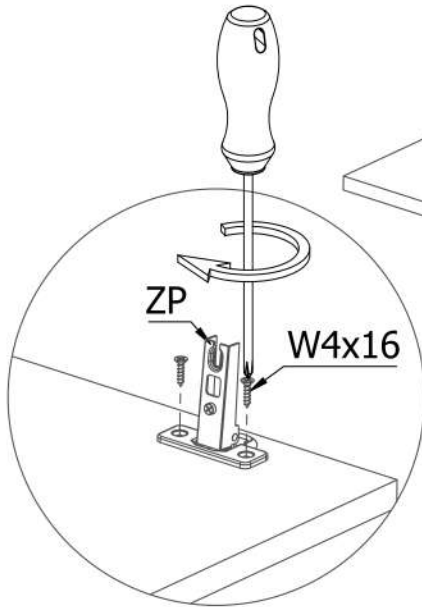











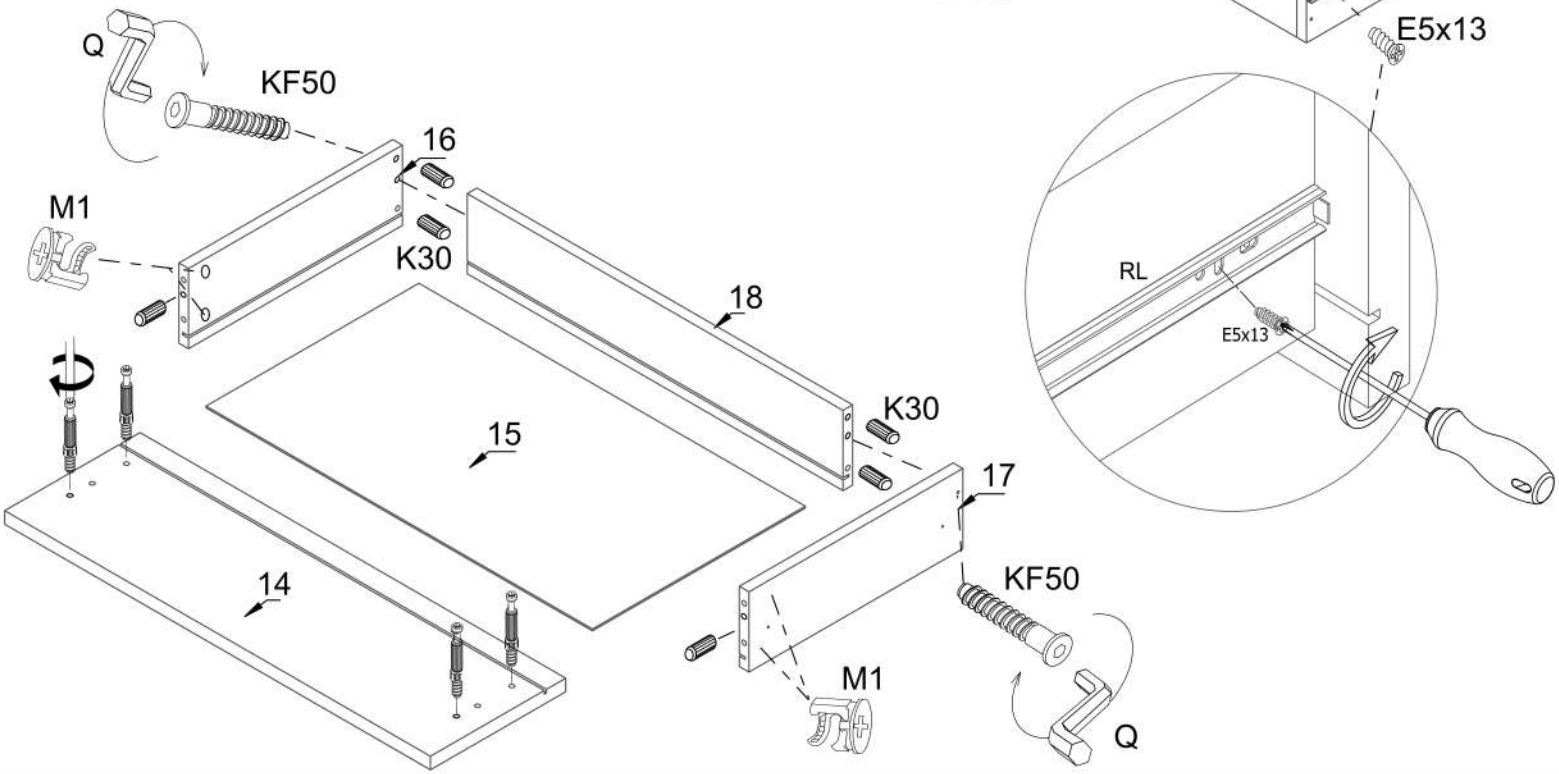
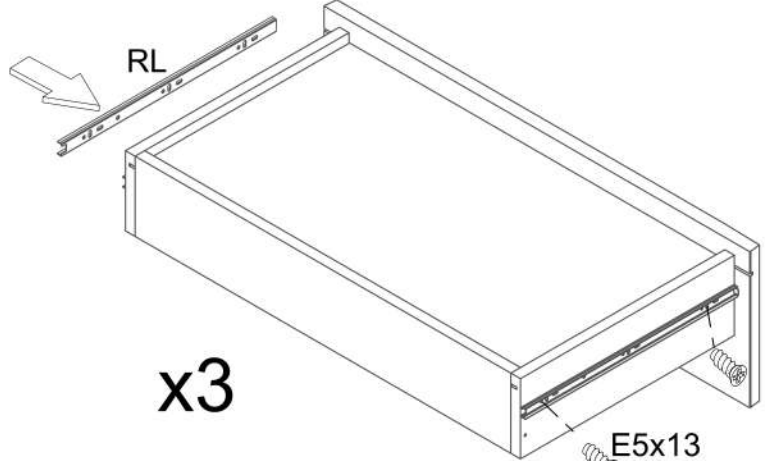
K30  6	PP  8	T1  2	E5x13  12
M1  6			

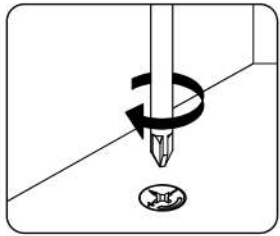
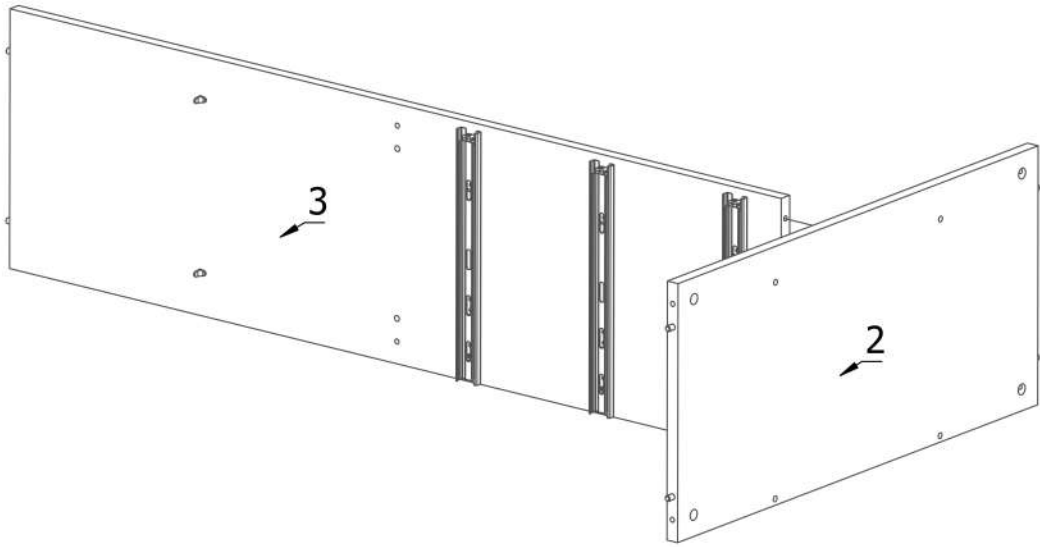
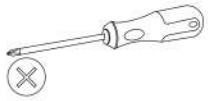






	ZP		W4x16
2		4	

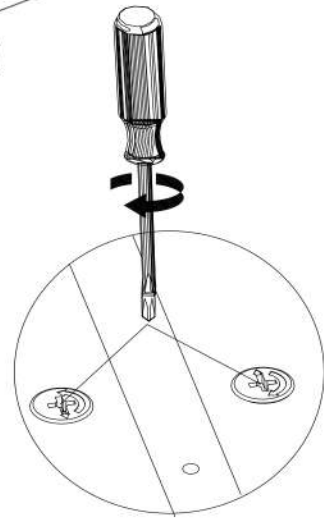
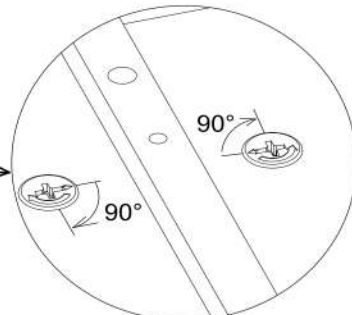
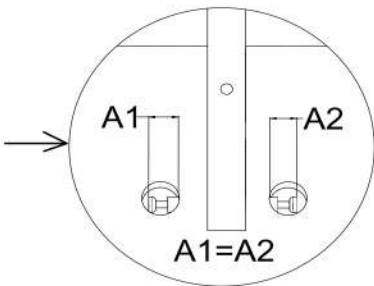
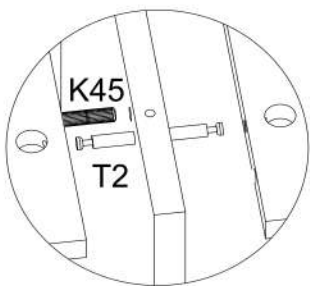
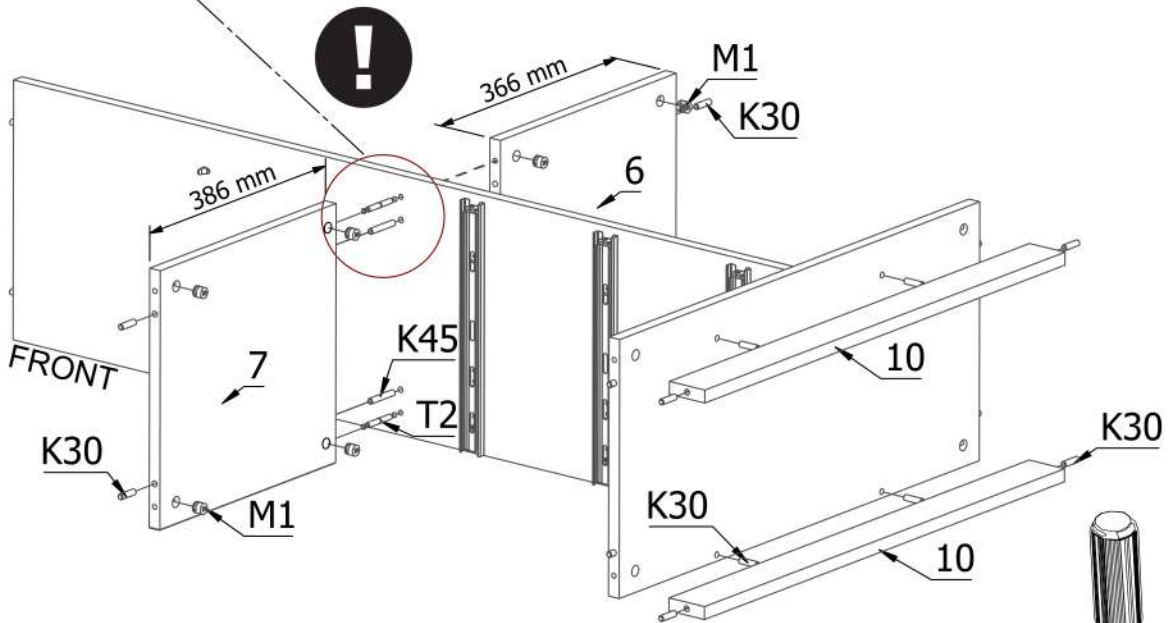
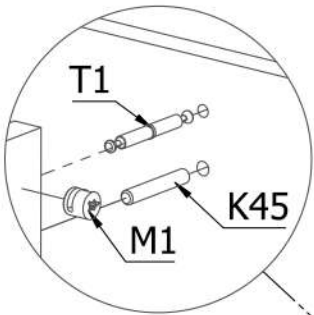


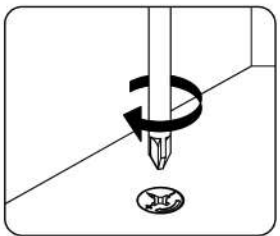
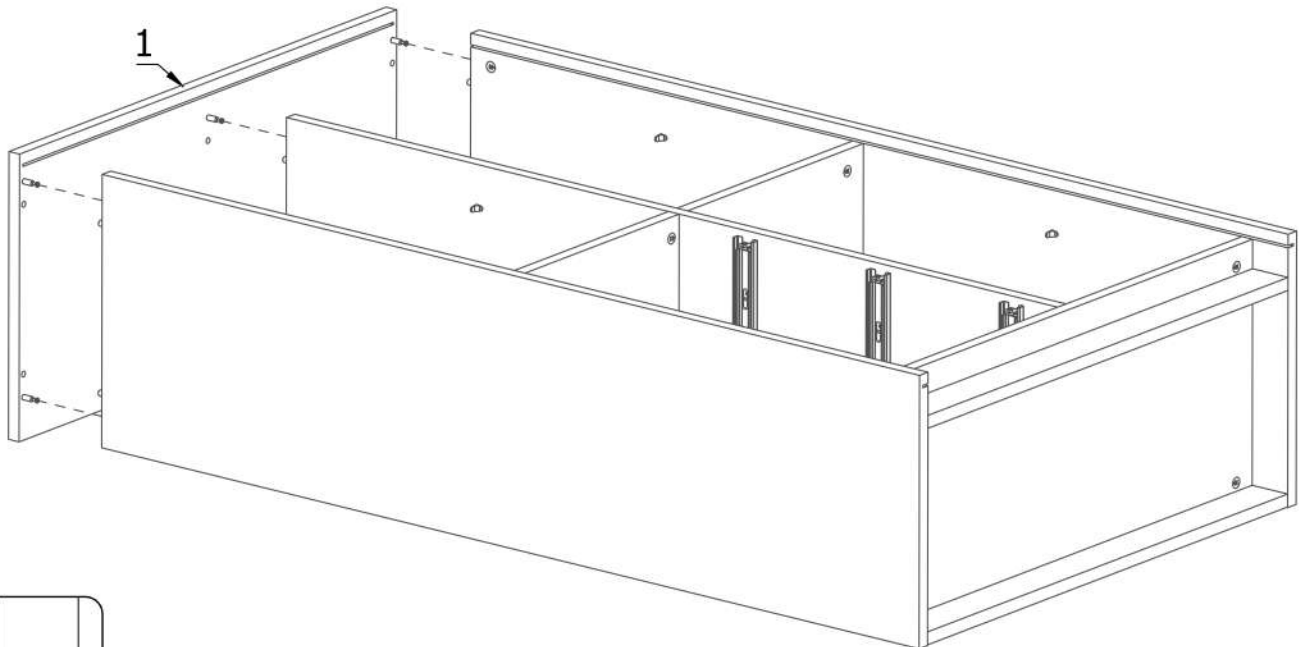
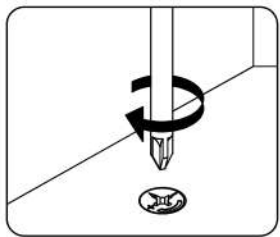
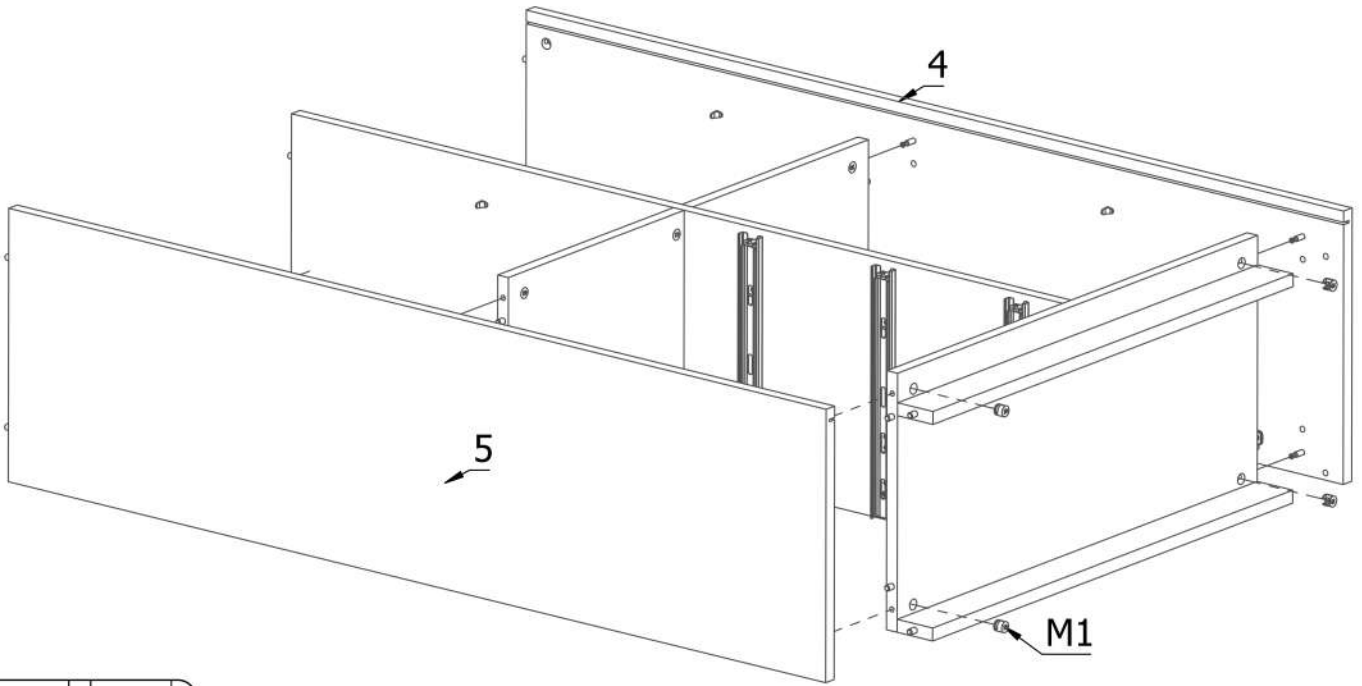
	K30		M1		T1		E5x13		RL		Q		KF50
18		12		12		12		3		1		6	

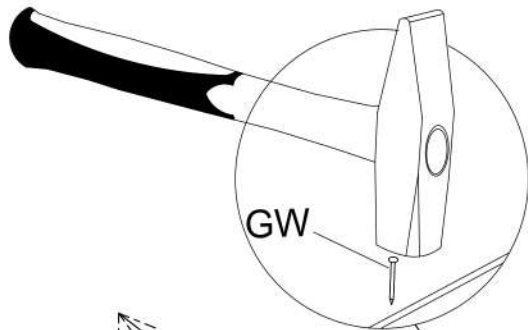
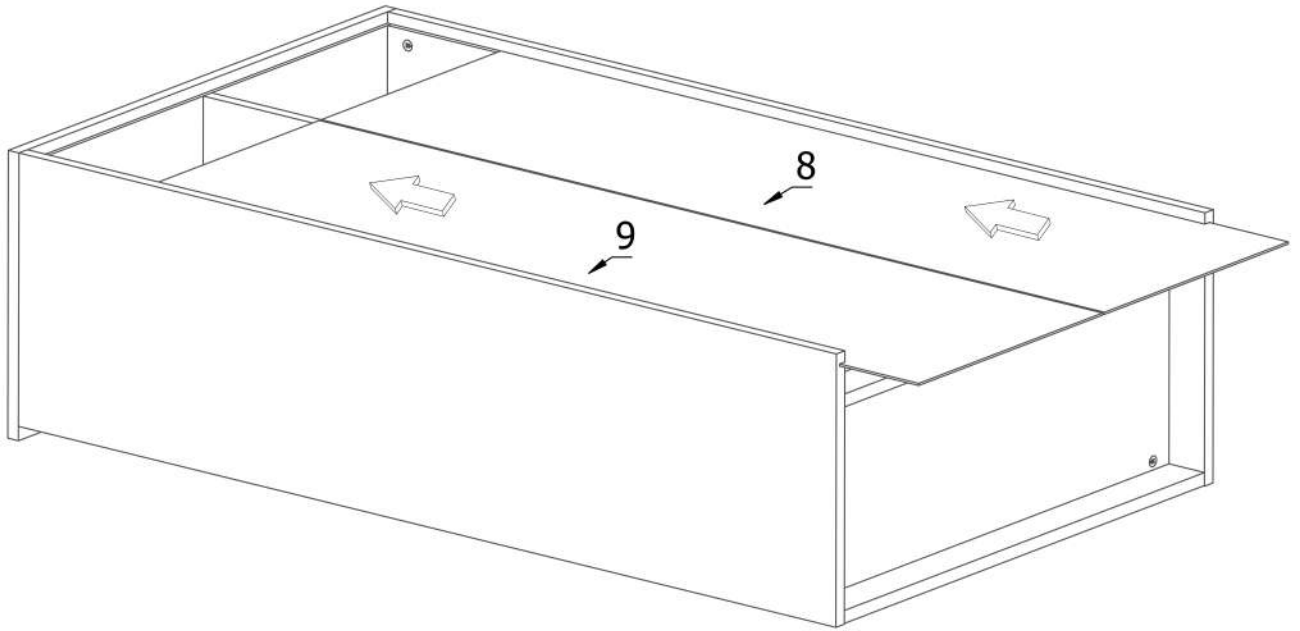









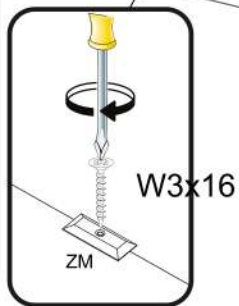
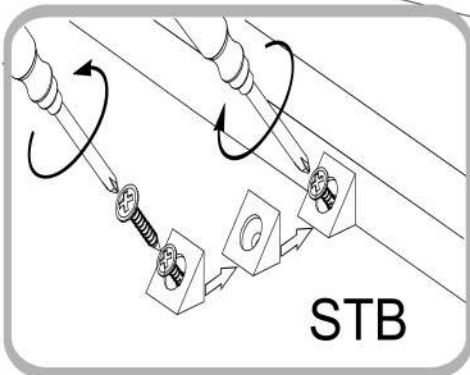
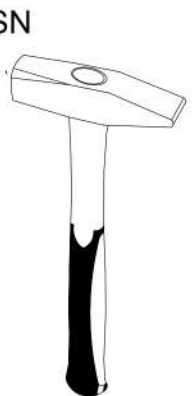
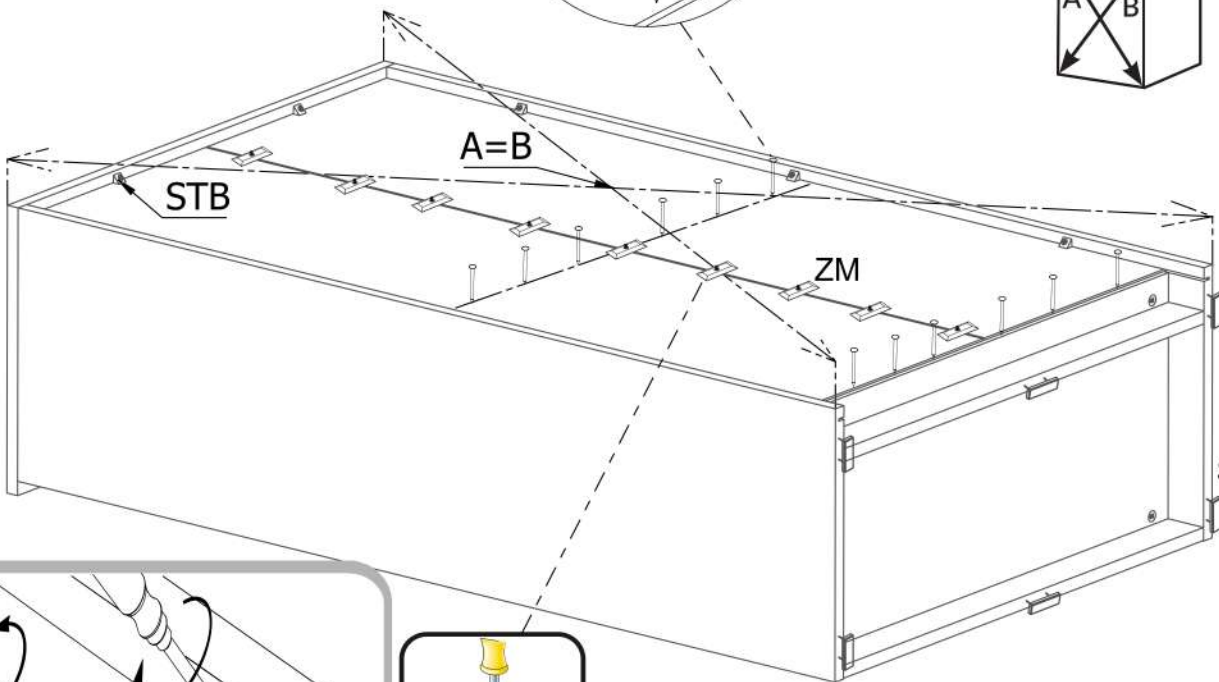
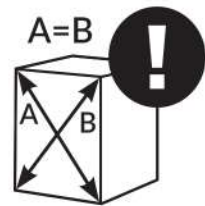
K30	M1	K45	T2
			
12	8	2	2

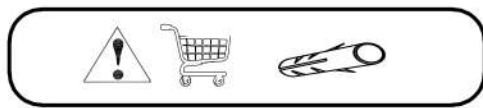




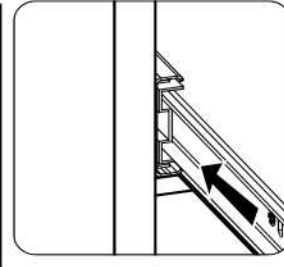
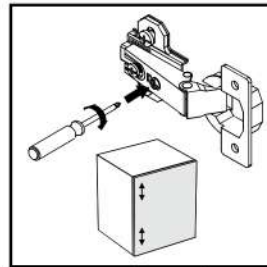
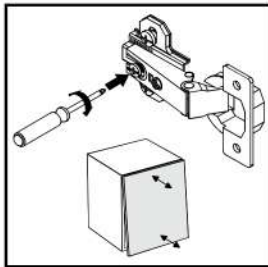
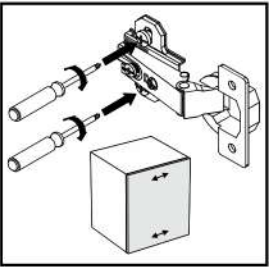
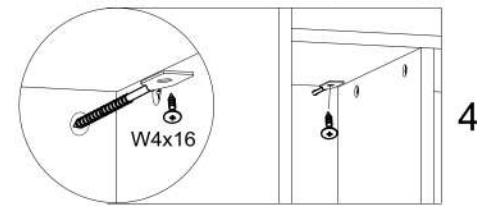
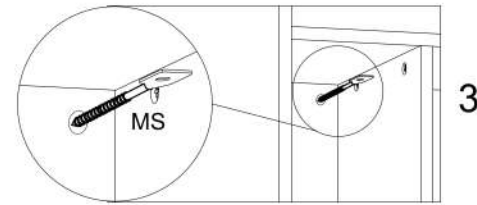
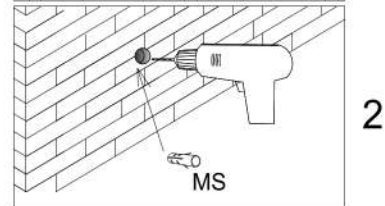
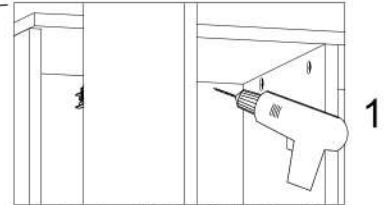
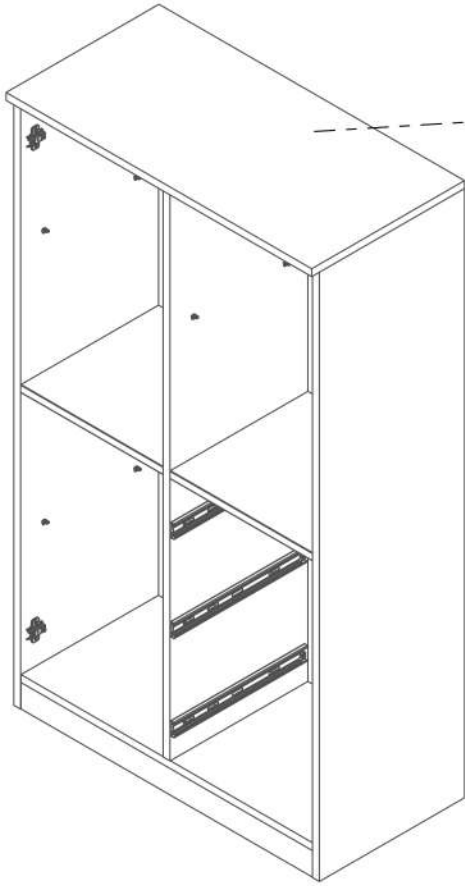


W3x16  9	ZM  9	GW  20	 STB 8	 SN 6
---	--	---	---	--





W4x16		
1		MS
		1



UM	
4	

W4x27	
8	

