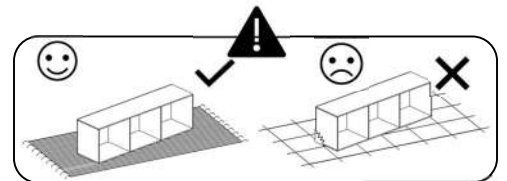
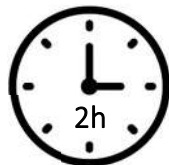
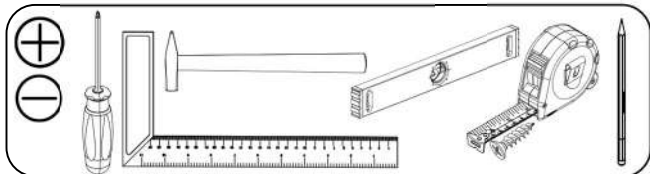
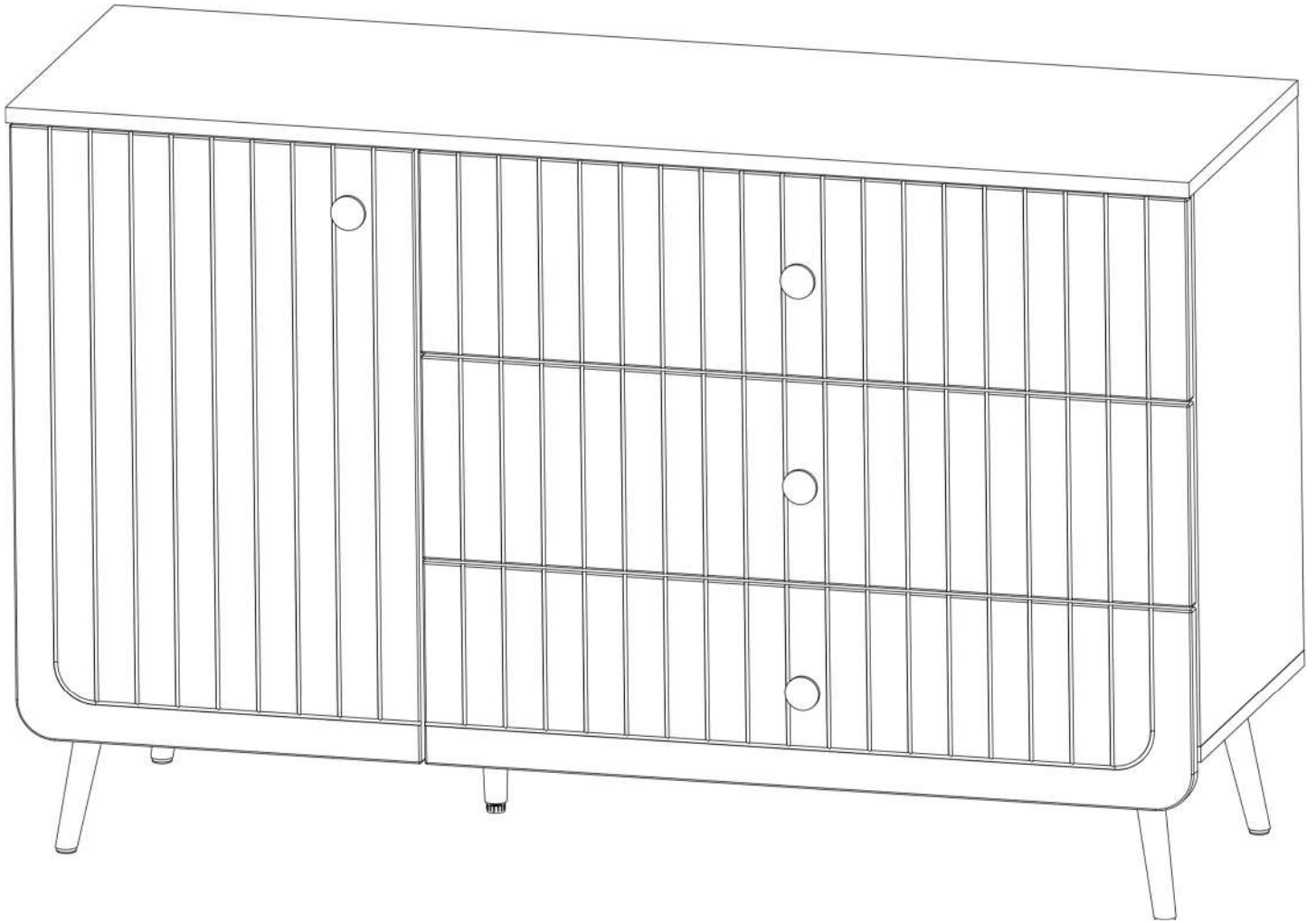
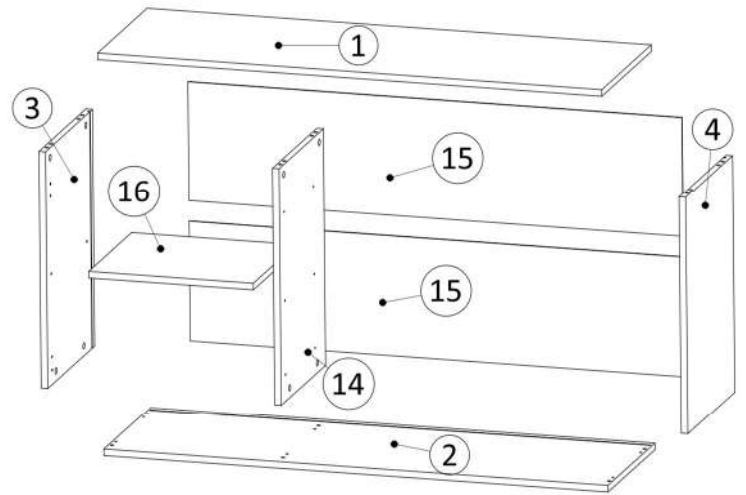
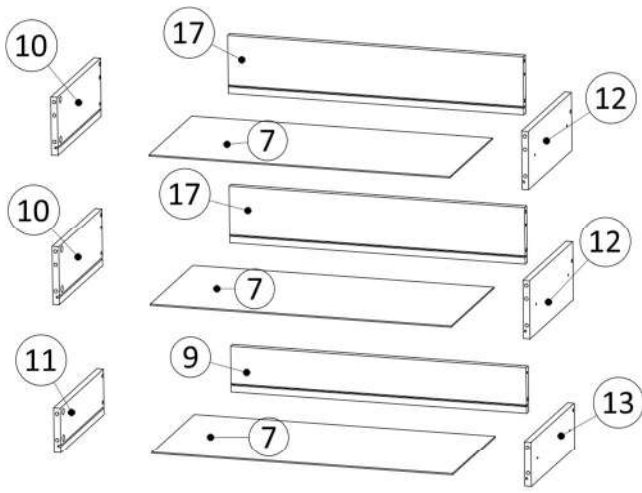


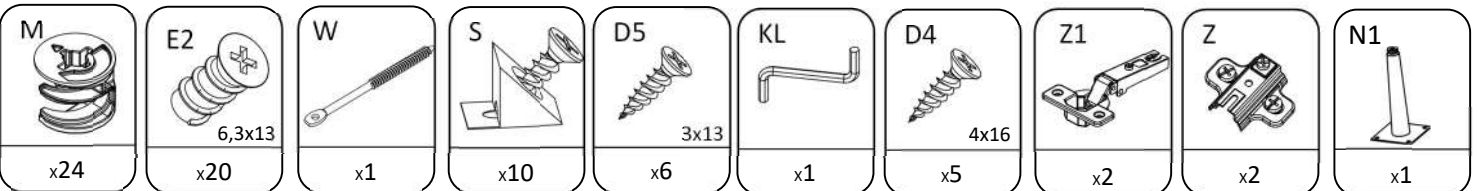
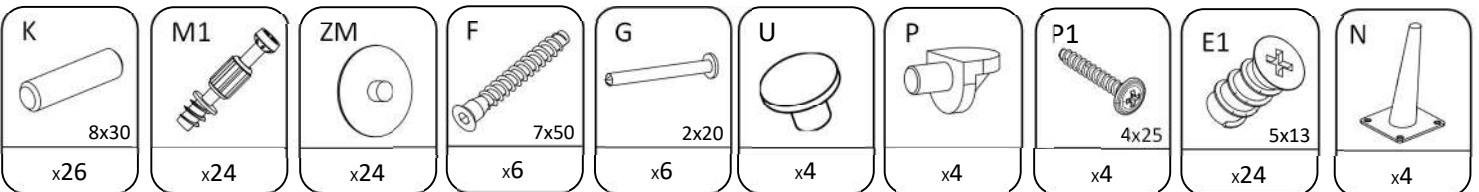
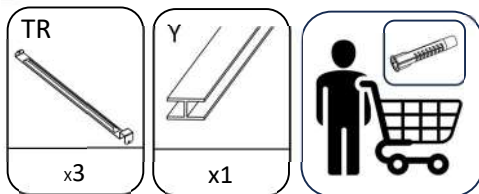
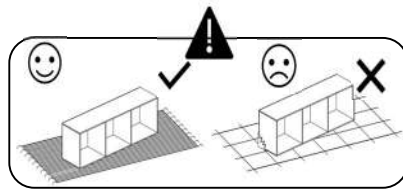
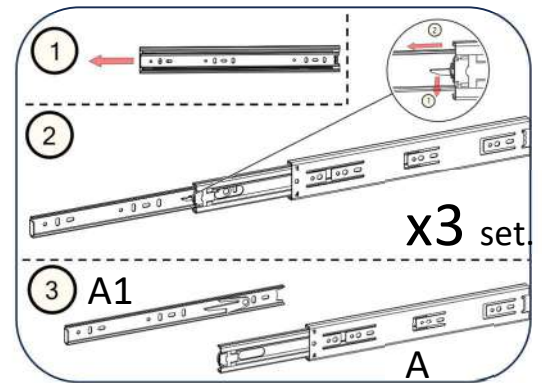
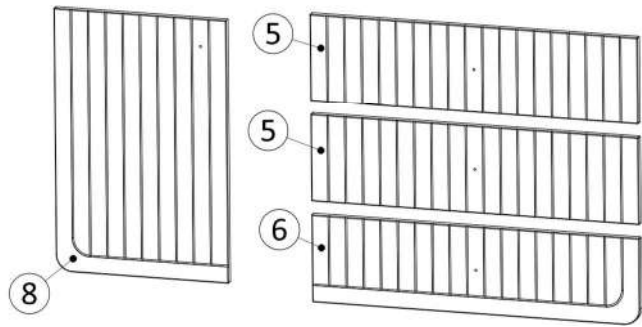
CHLOE

K 1D3S

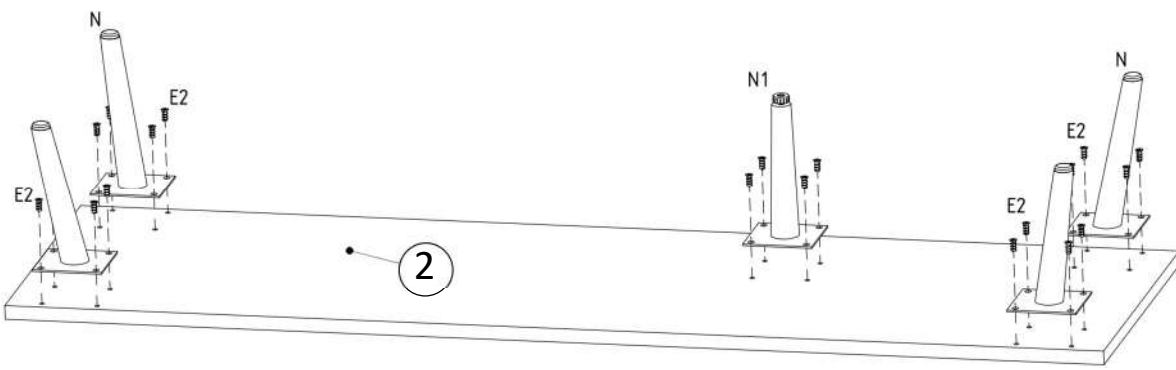




No	T(mm)	L(mm)	W(mm)	pcs.
1	16	1228	400	1
2	16	1228	380	1
3	16	574	380	1
4	16	574	380	1
5	16	210	798	2
6	16	210	798	1
7	3	734	346	3
8	16	636	420	1
9	16	721	110	1
10	16	350	140	2
11	16	350	110	1
12	16	350	140	2
13	16	350	110	1
14	16	574	358	1
15	3	1204	291	2
16	16	400	348	1
17	16	721	140	2



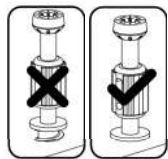
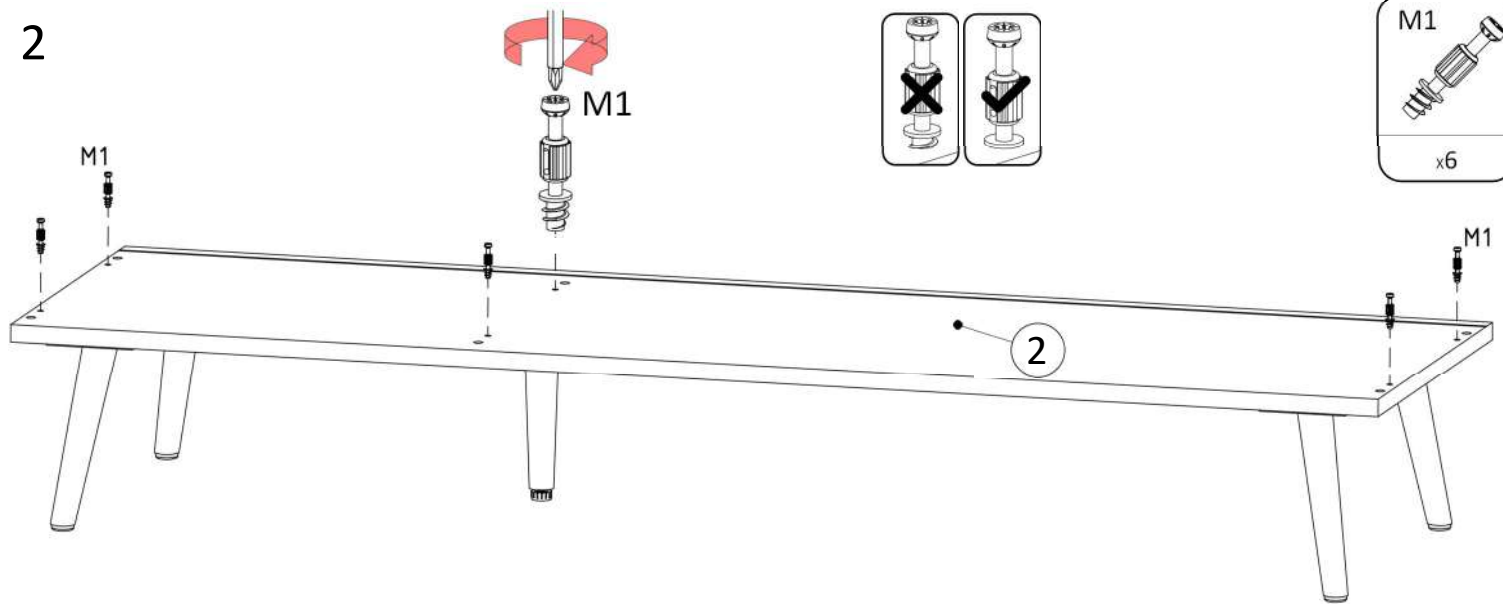
1



E2 6,3x13 x20	N x4
---------------------	---------

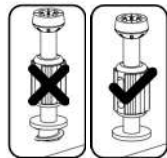
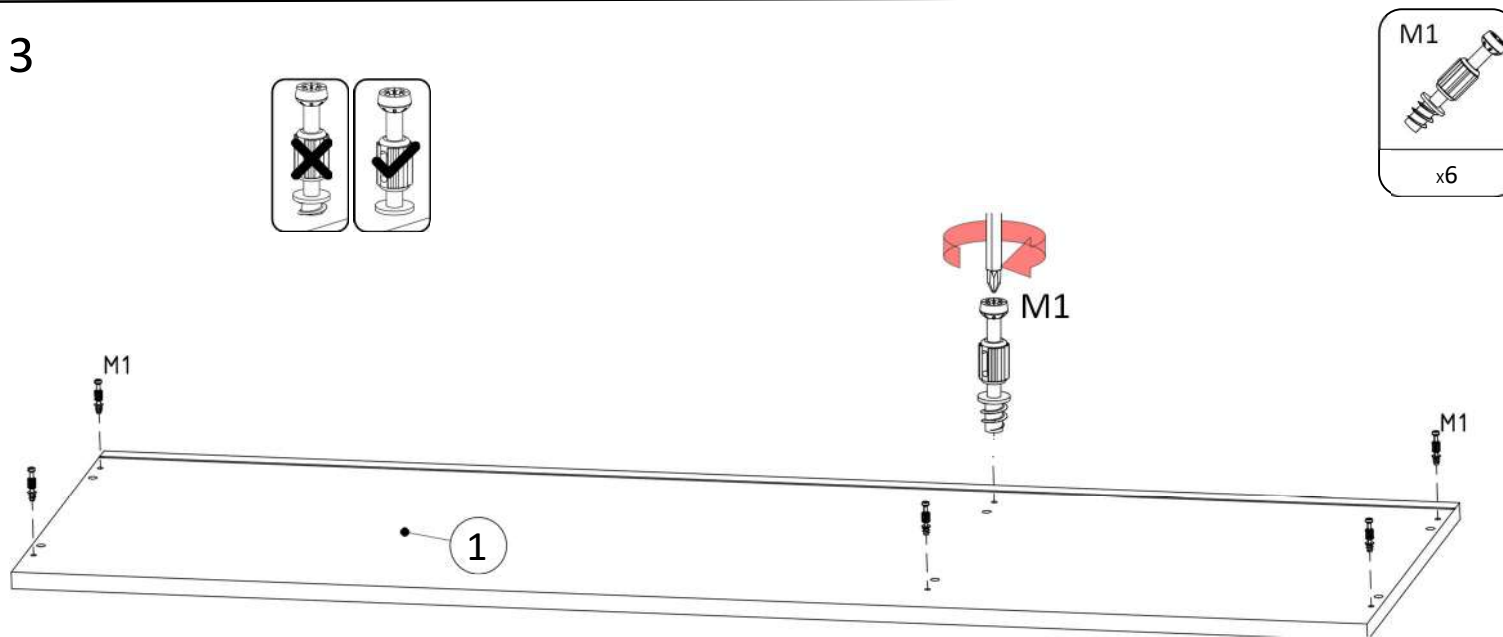
N1 x1

2



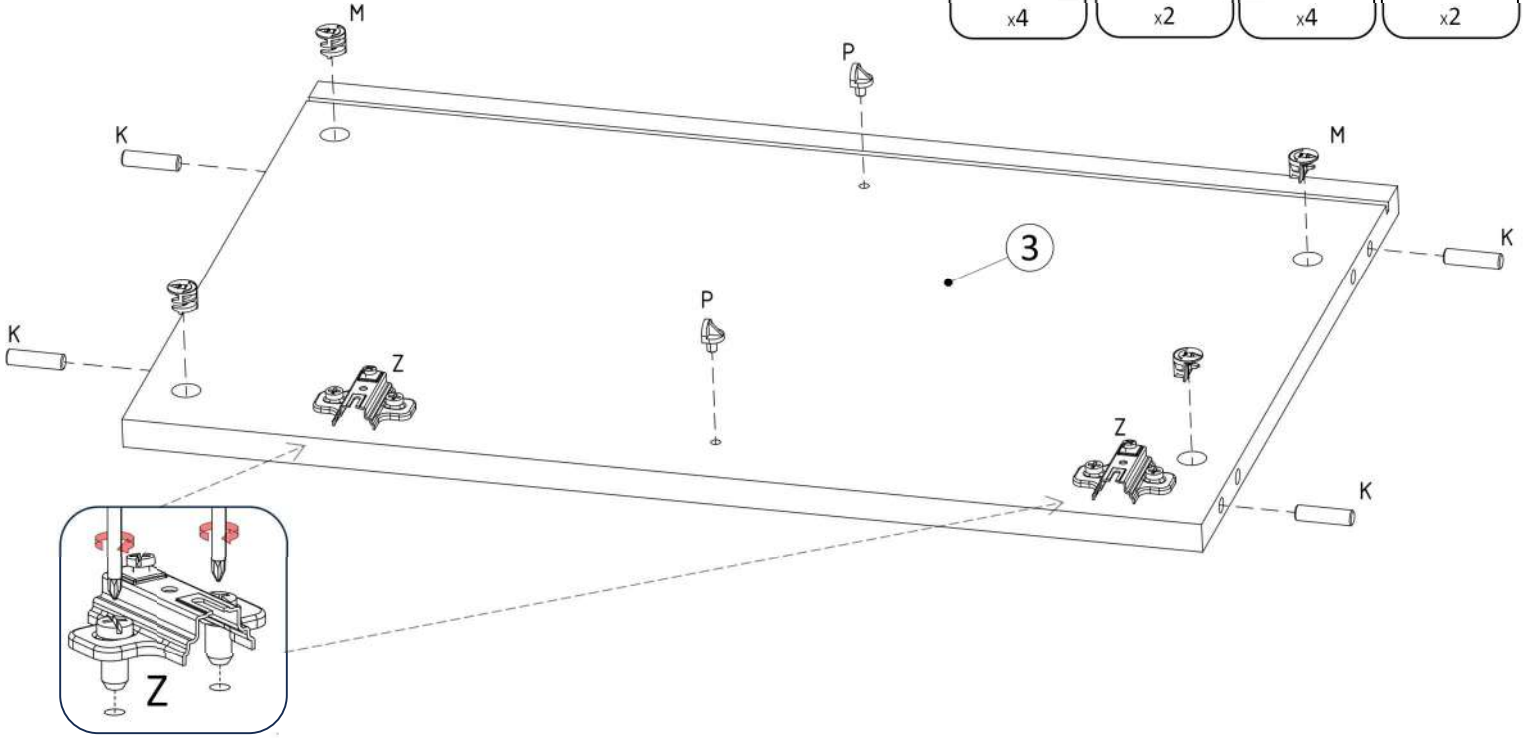
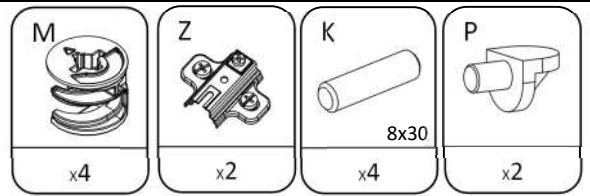
M1 x6

3

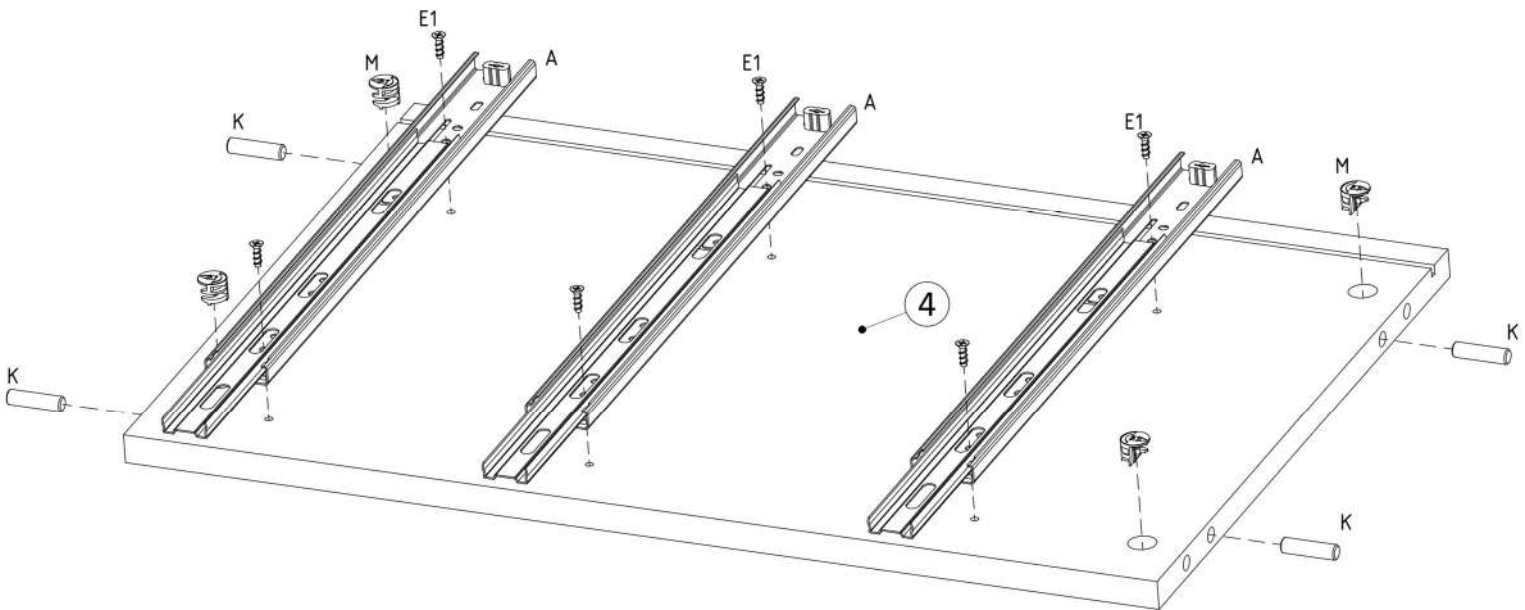
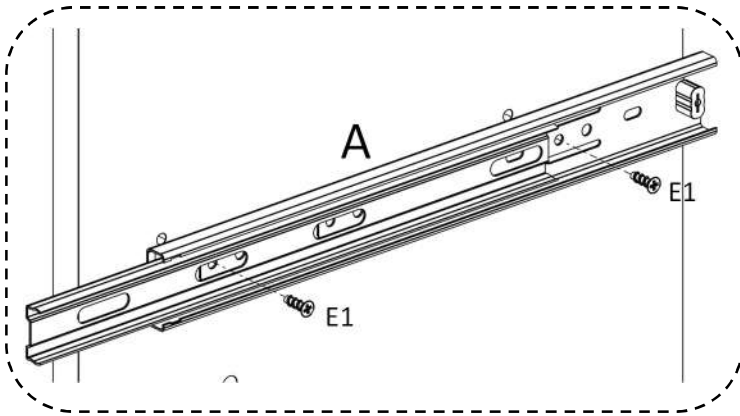
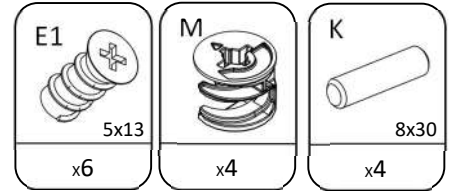


M1 x6

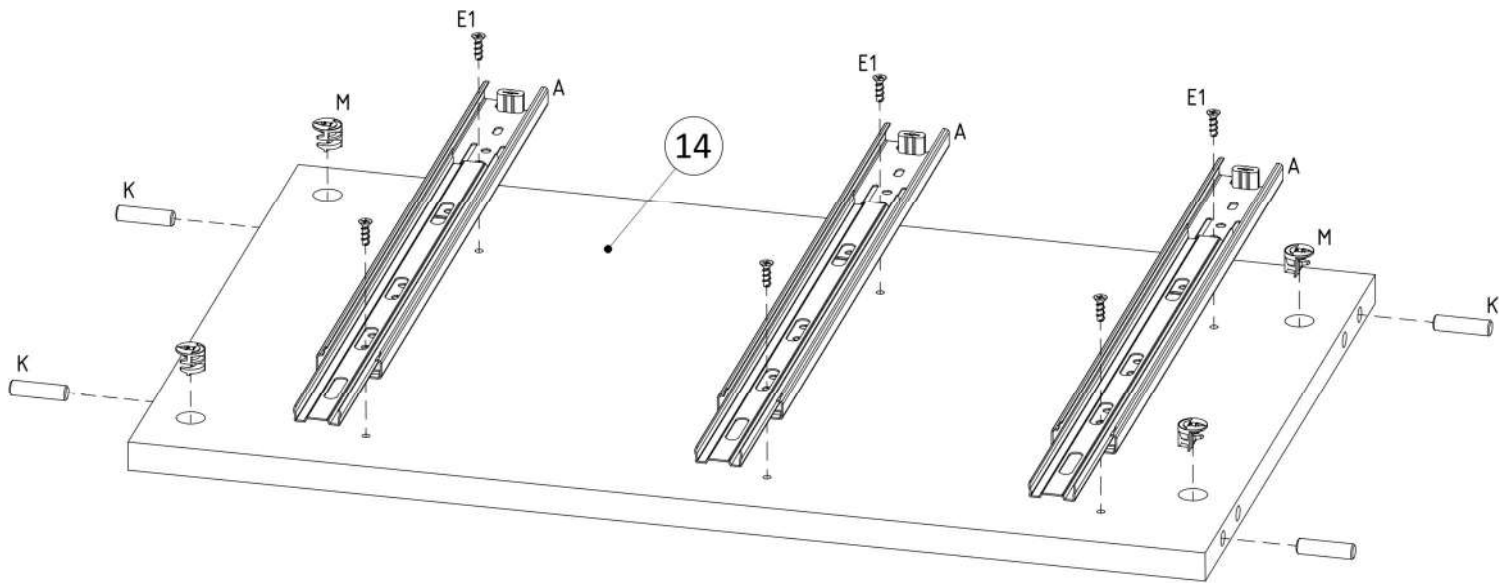
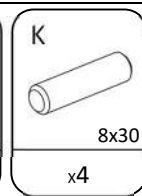
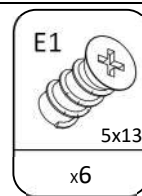
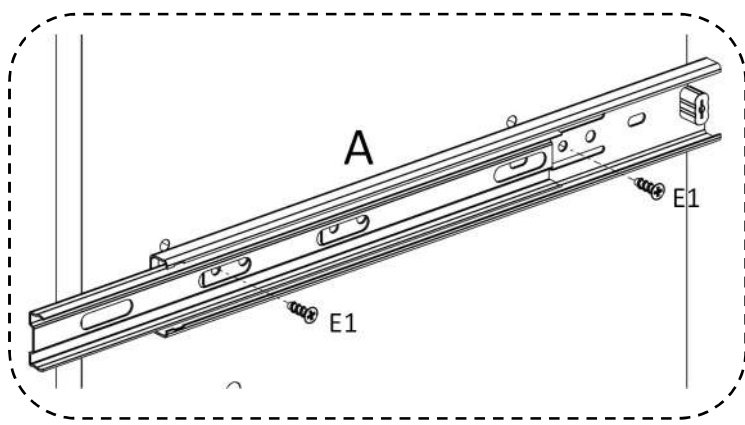
4



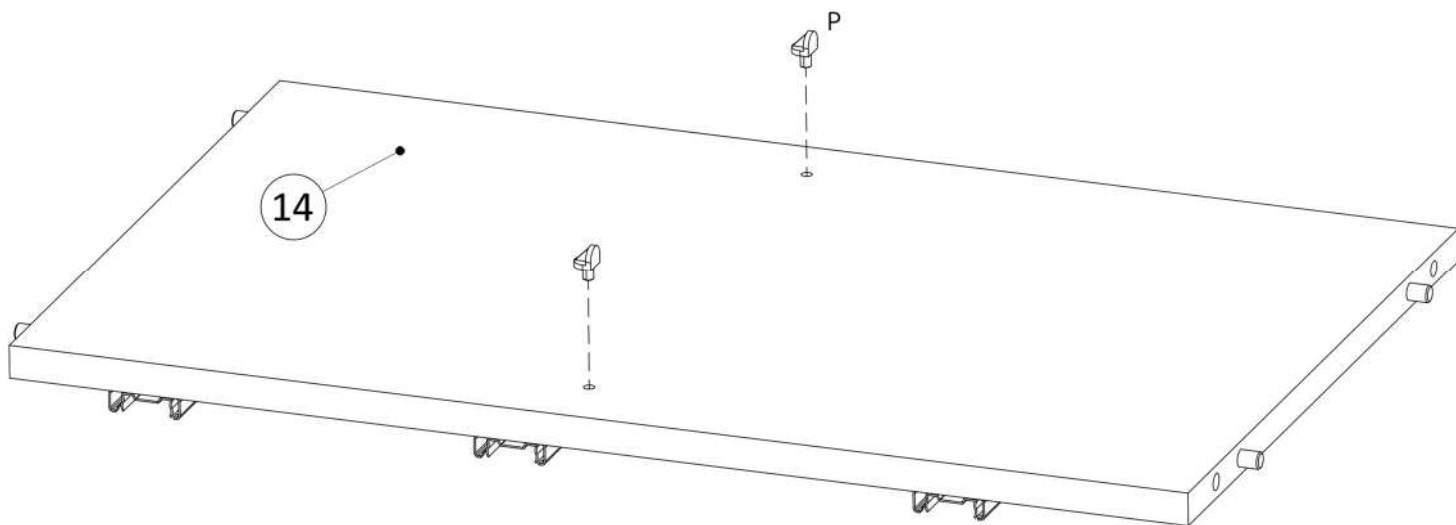
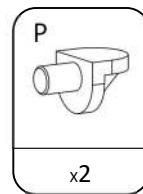
5



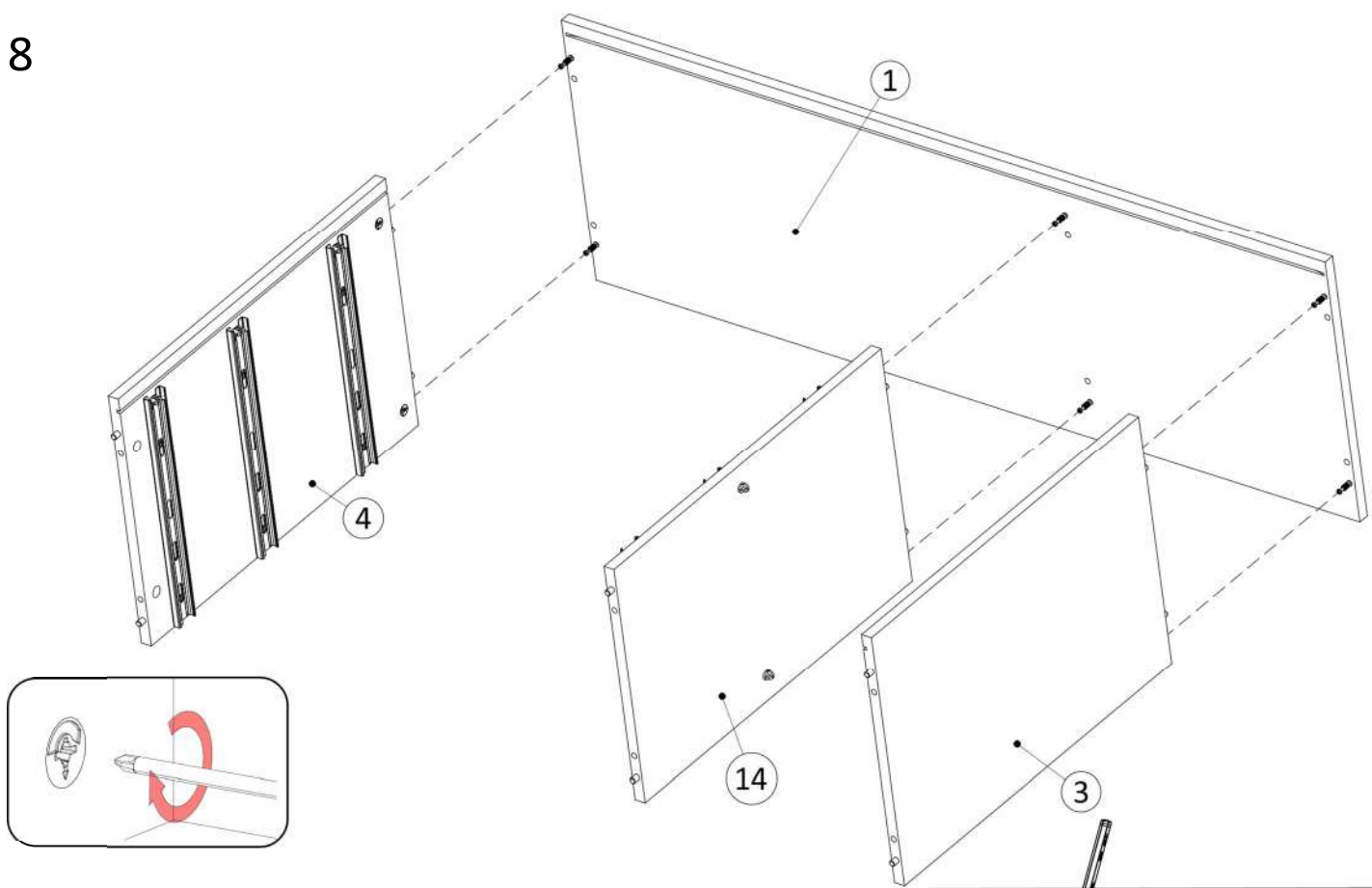
6



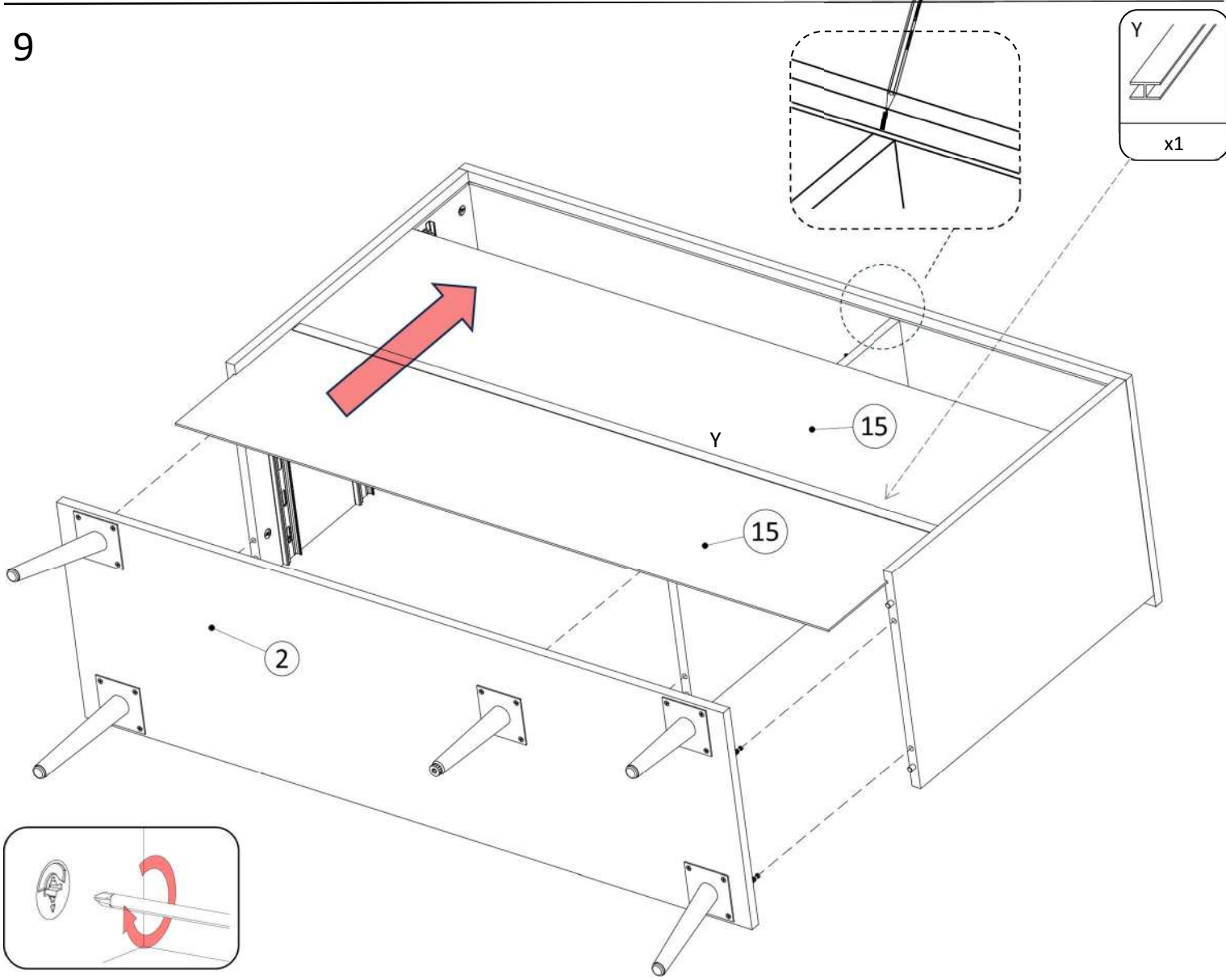
7



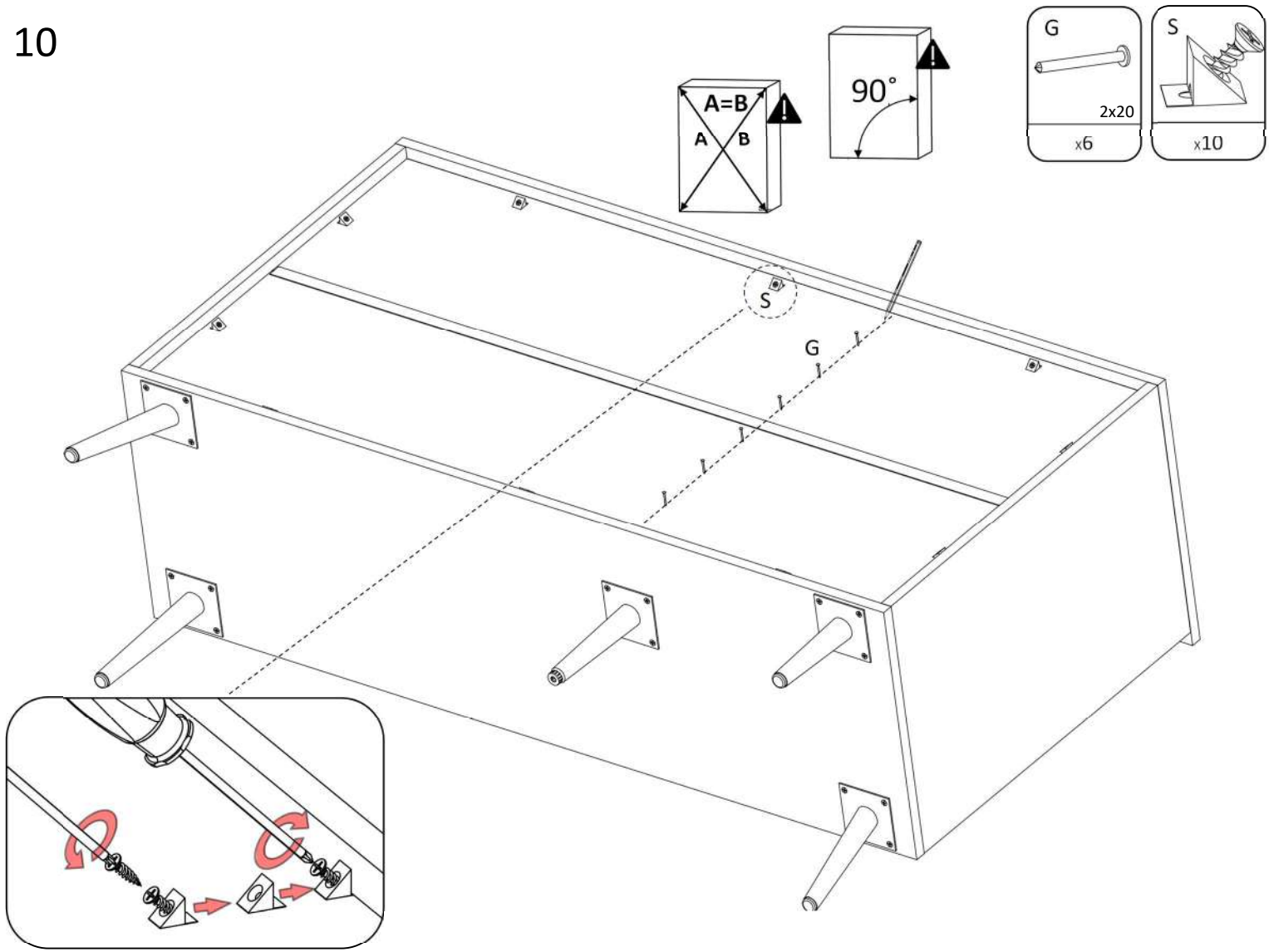
8



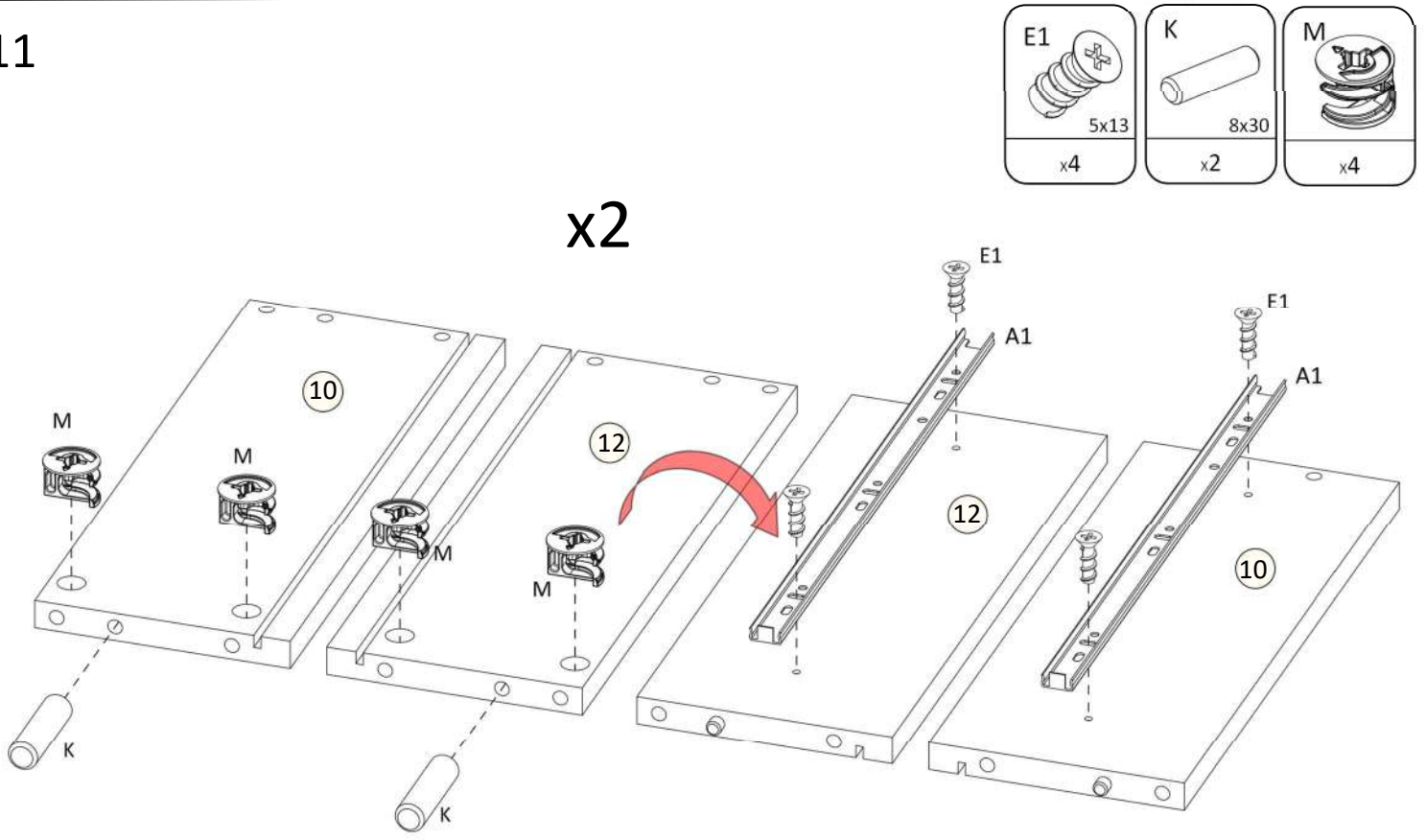
9

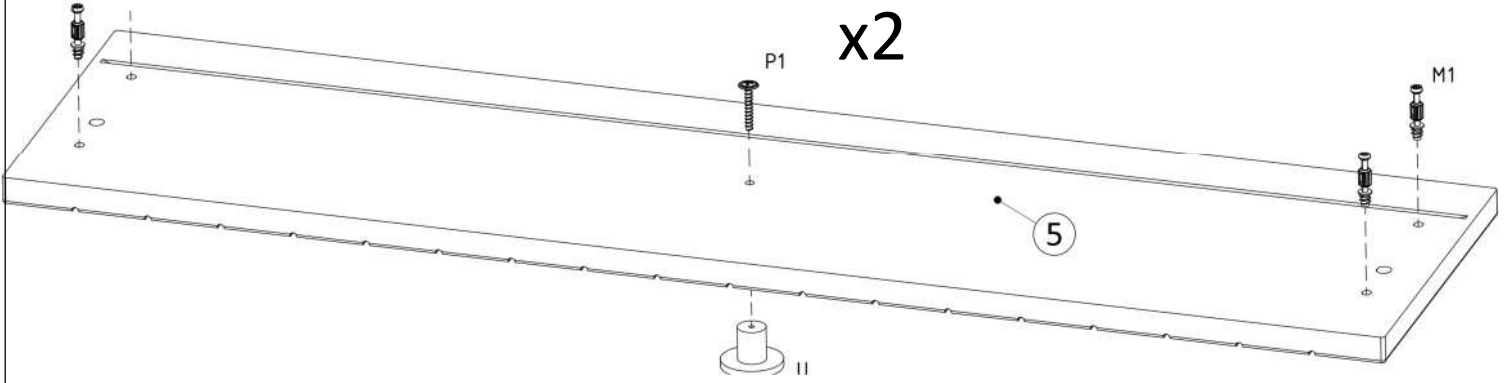
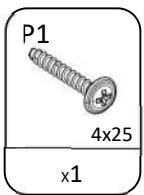
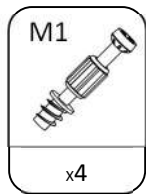
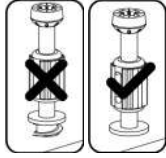
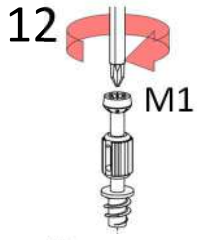


10



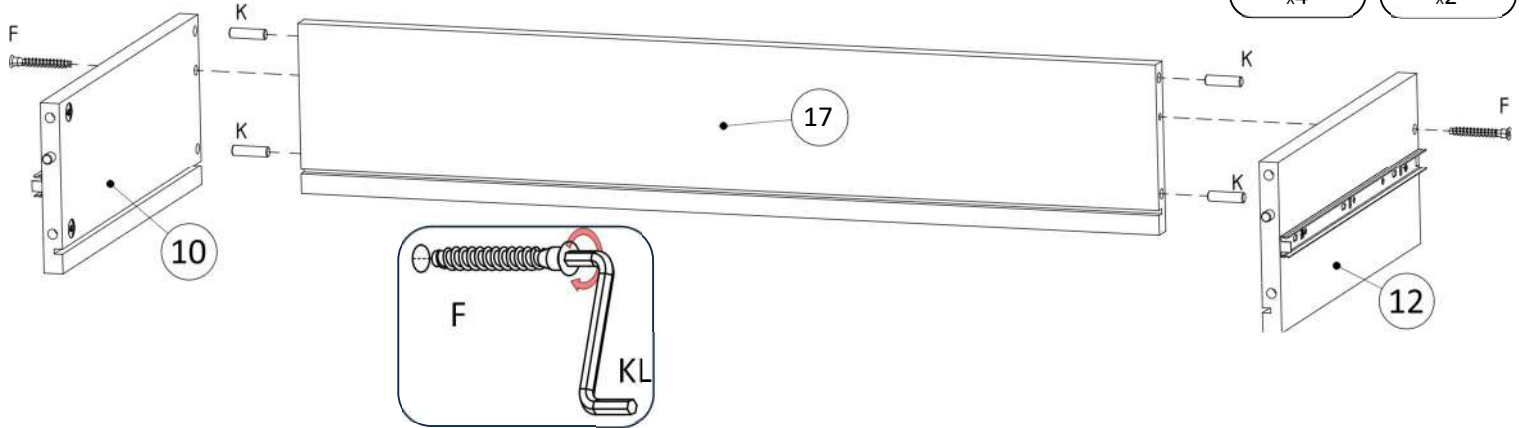
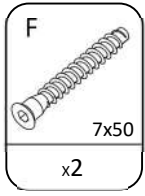
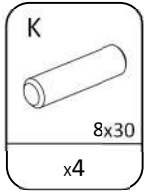
11





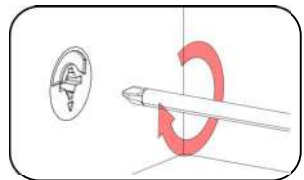
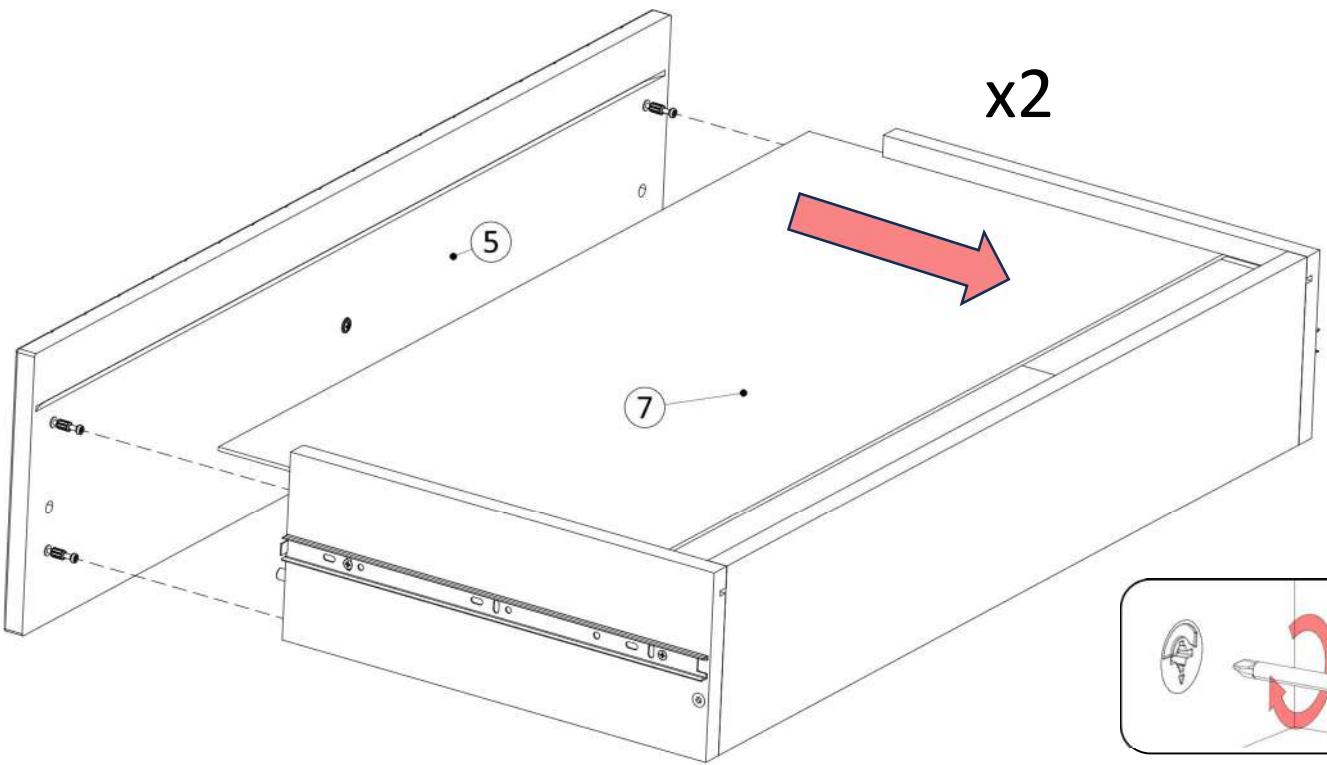
13

x2

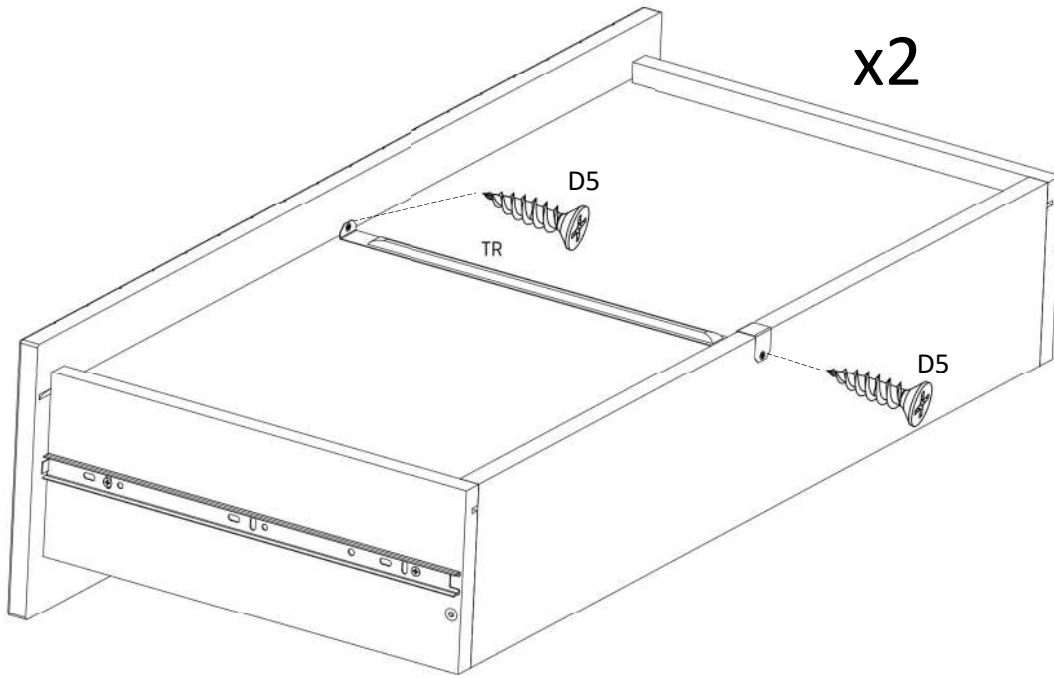


14

x2

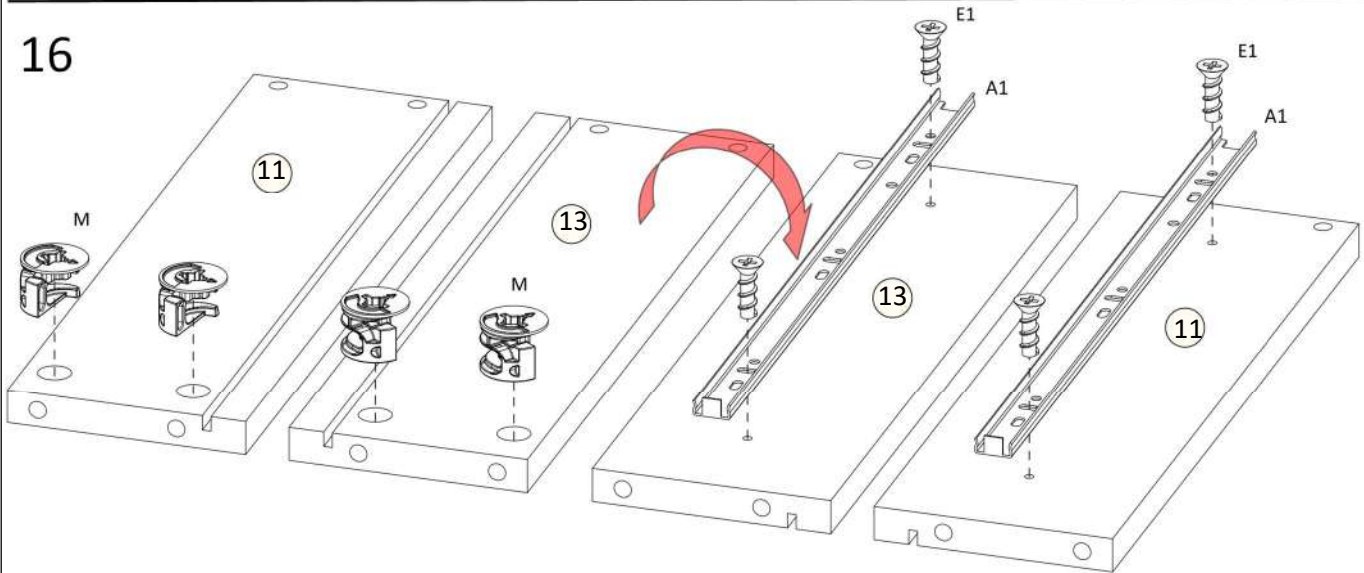


15



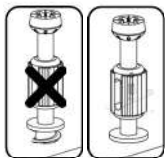
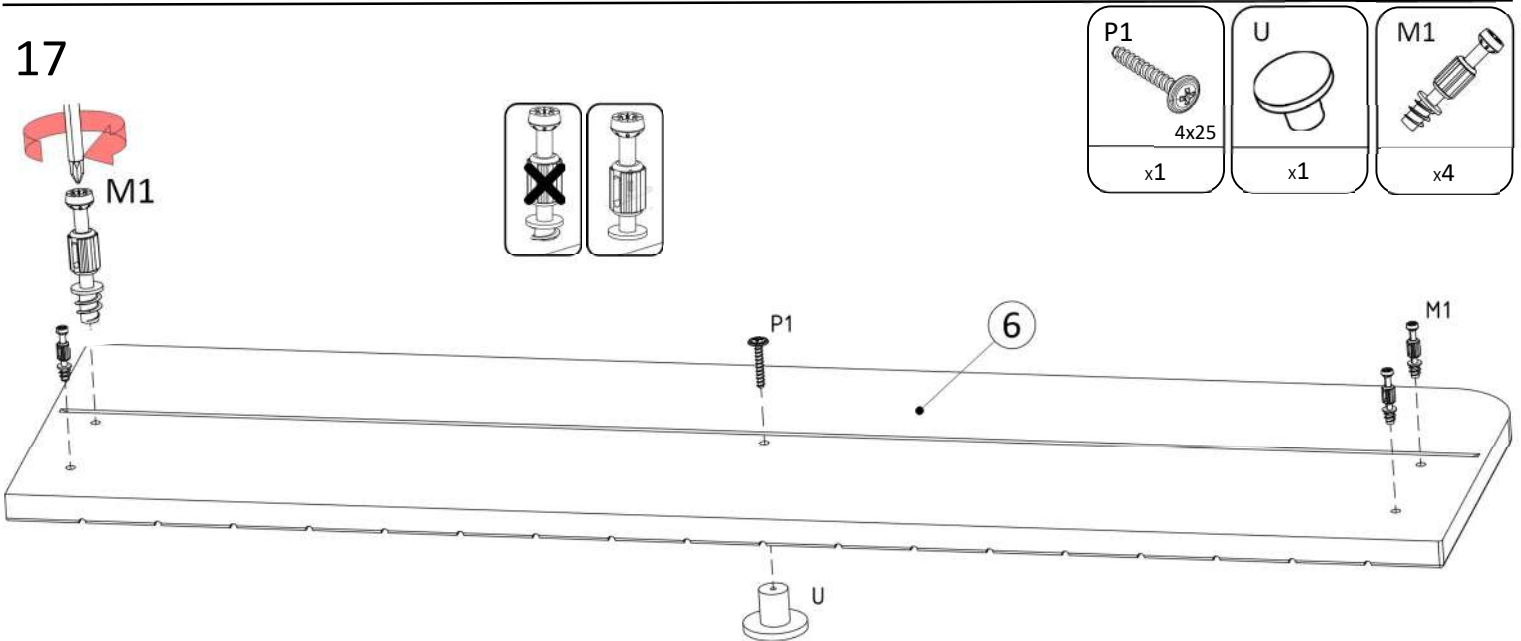
TR	D5
x1	3x13 x2

16



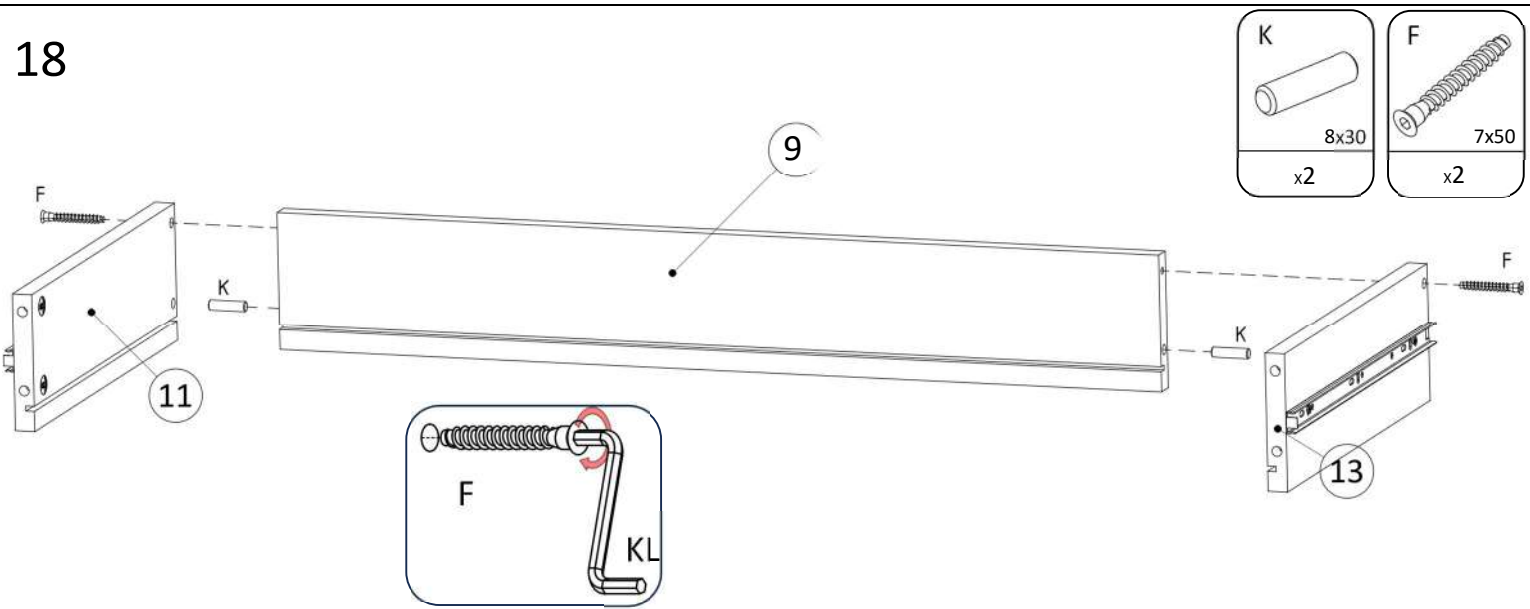
M	E1
x4	5x13 x4

17

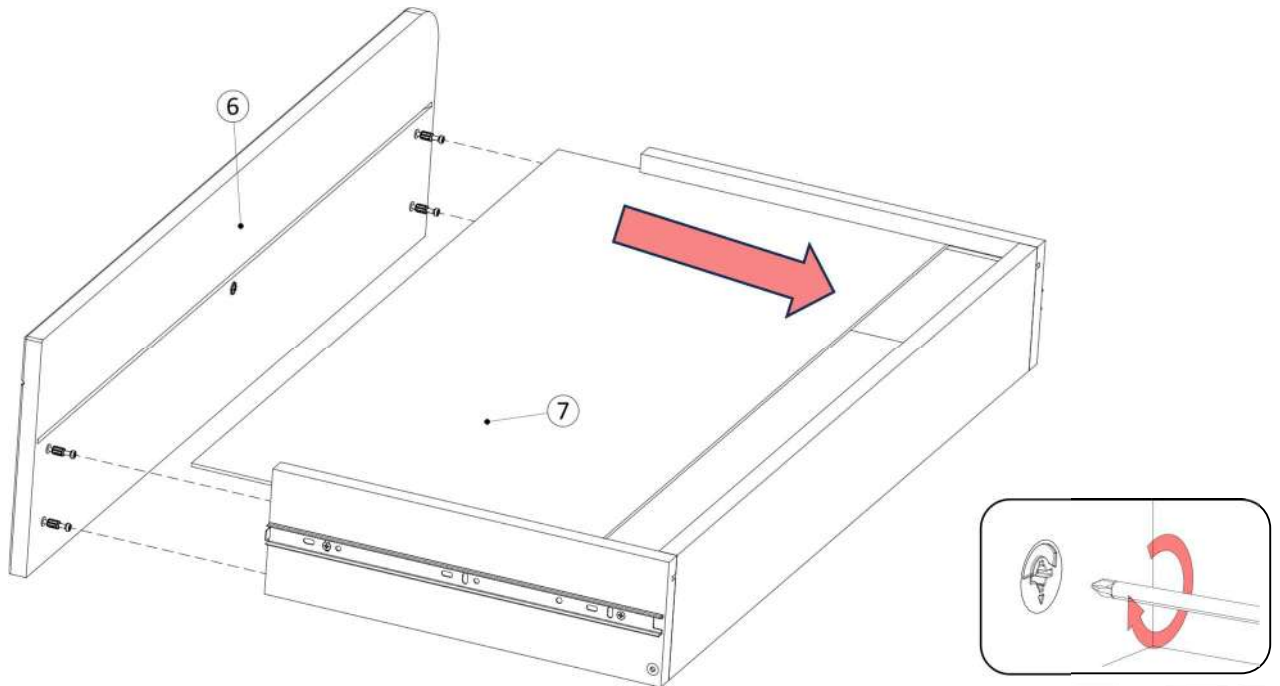


P1	U	M1
4x25 x1	x1	x4

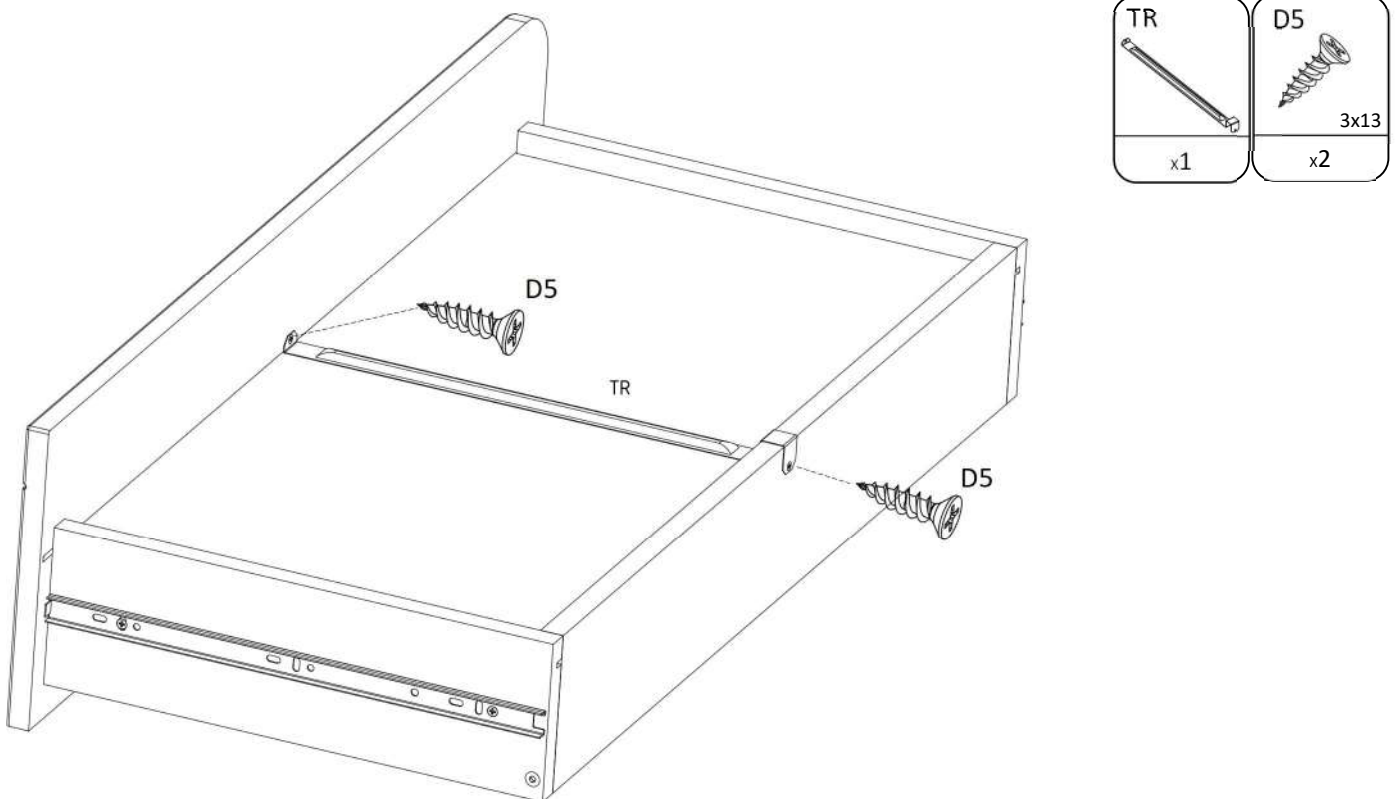
18



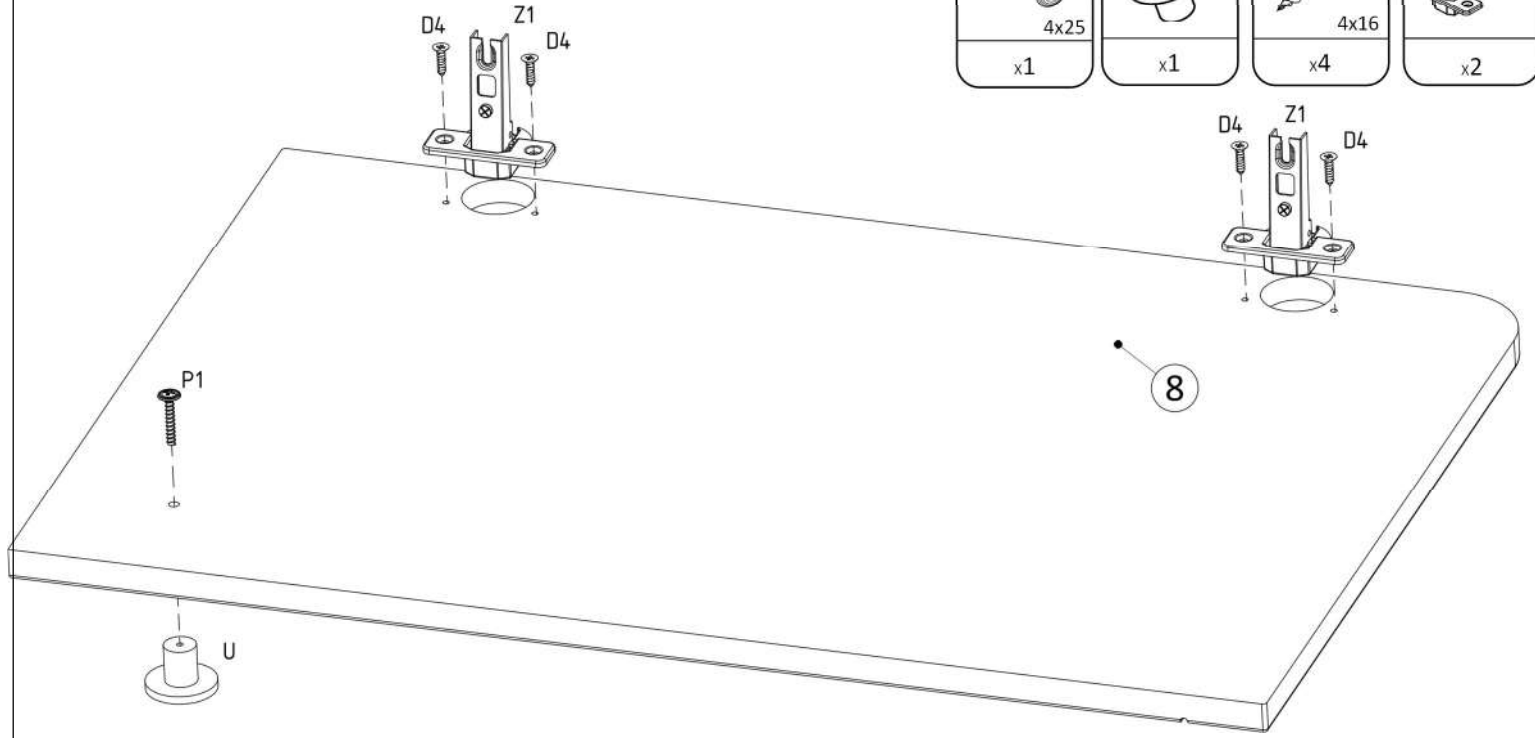
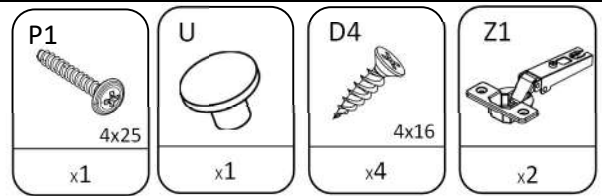
19



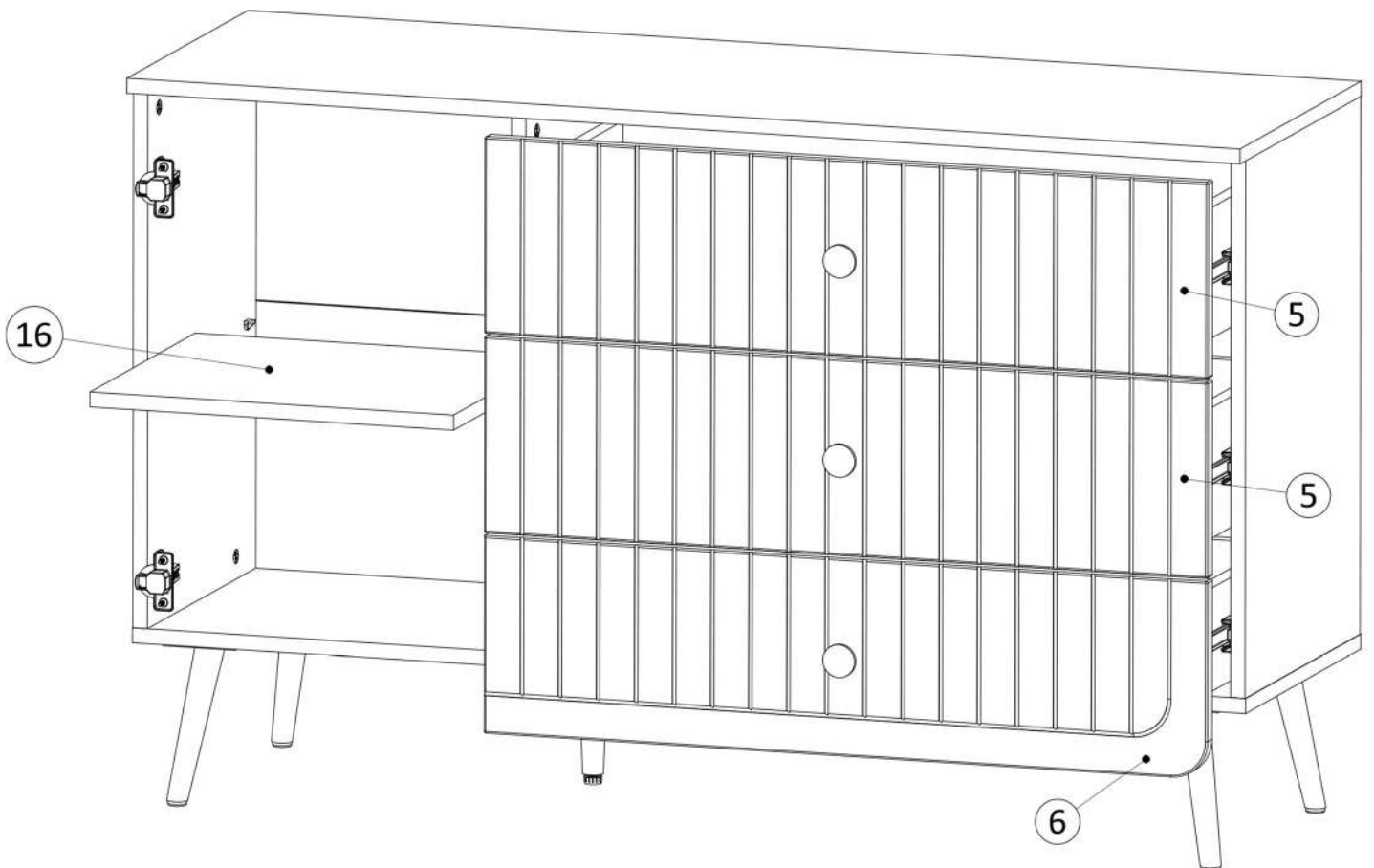
20



21



22



23



W	D4
x1	4x16 x1

