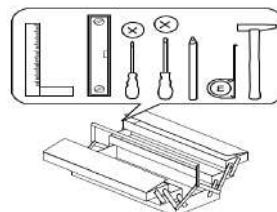
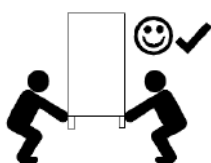
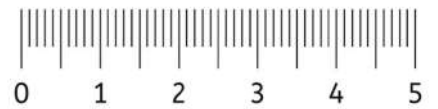
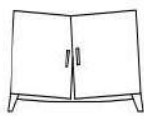
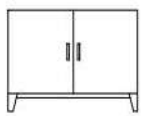
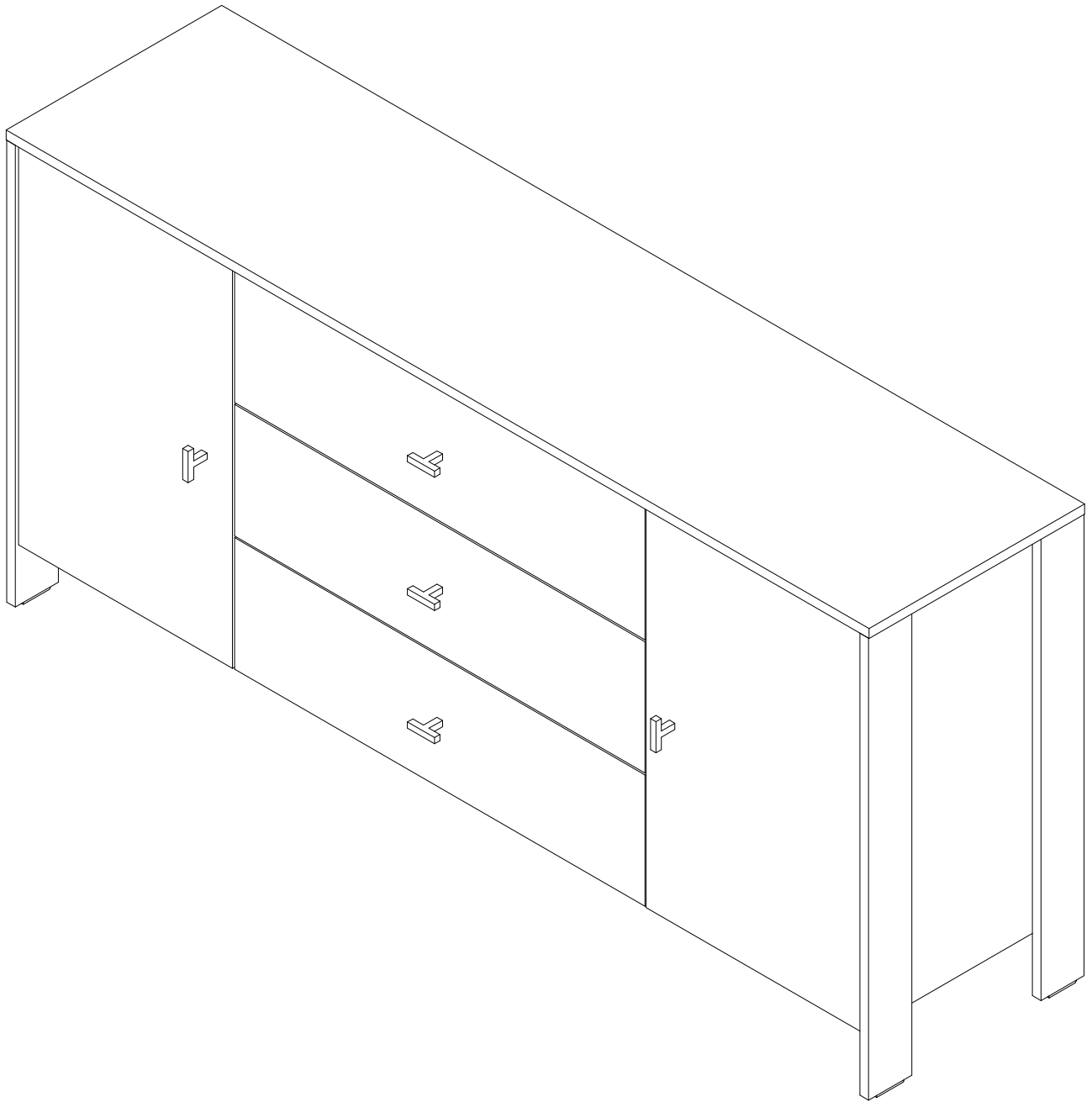
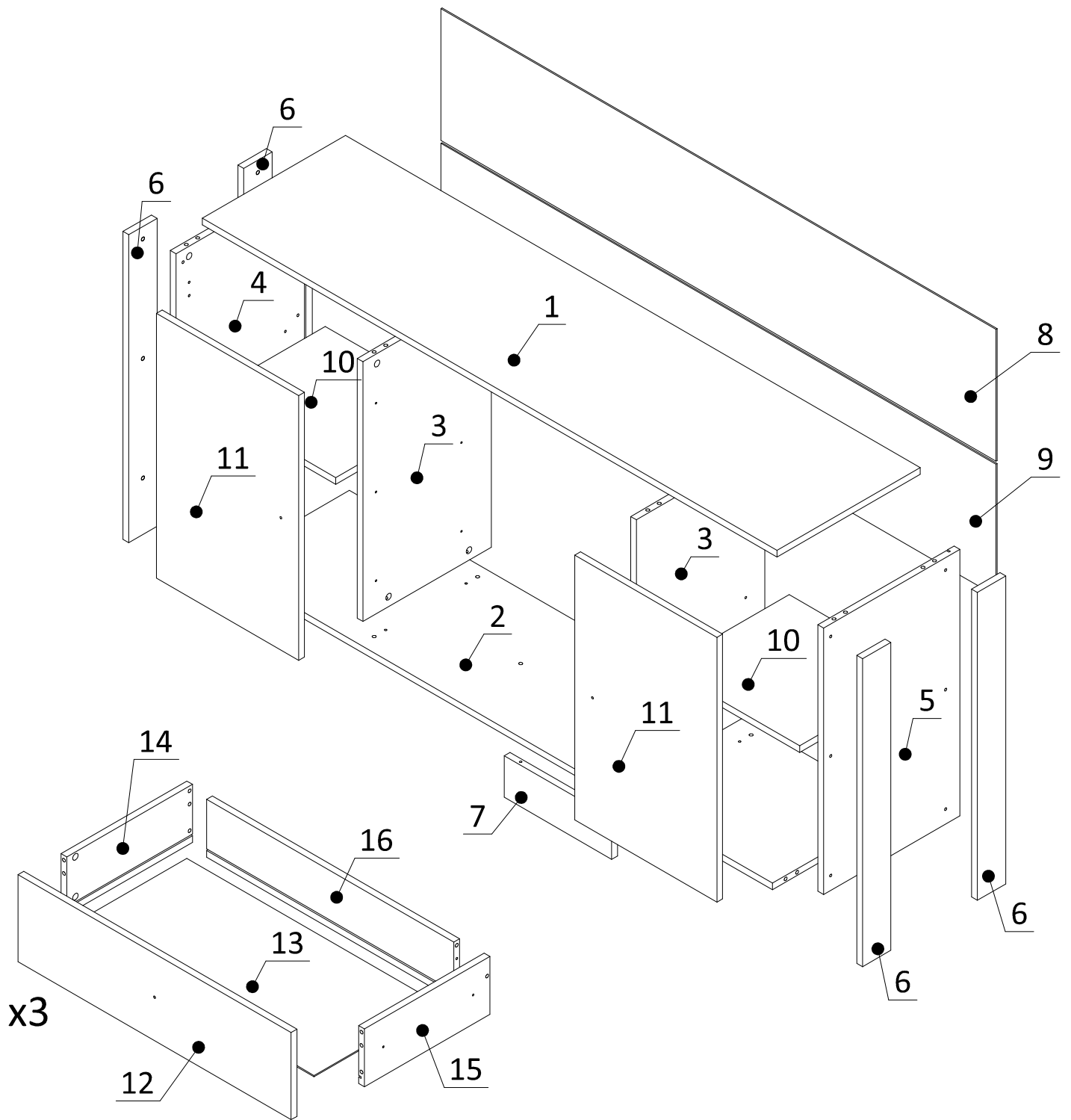
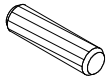

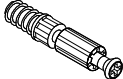
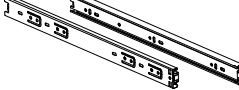

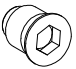
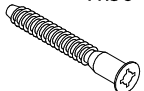
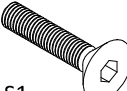
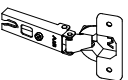
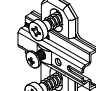


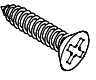


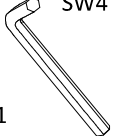
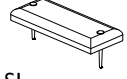

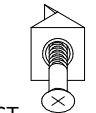

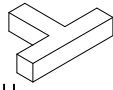
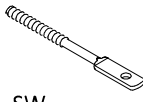
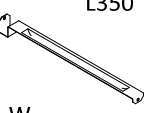



# ETHAN

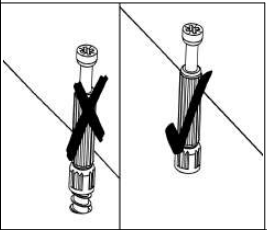
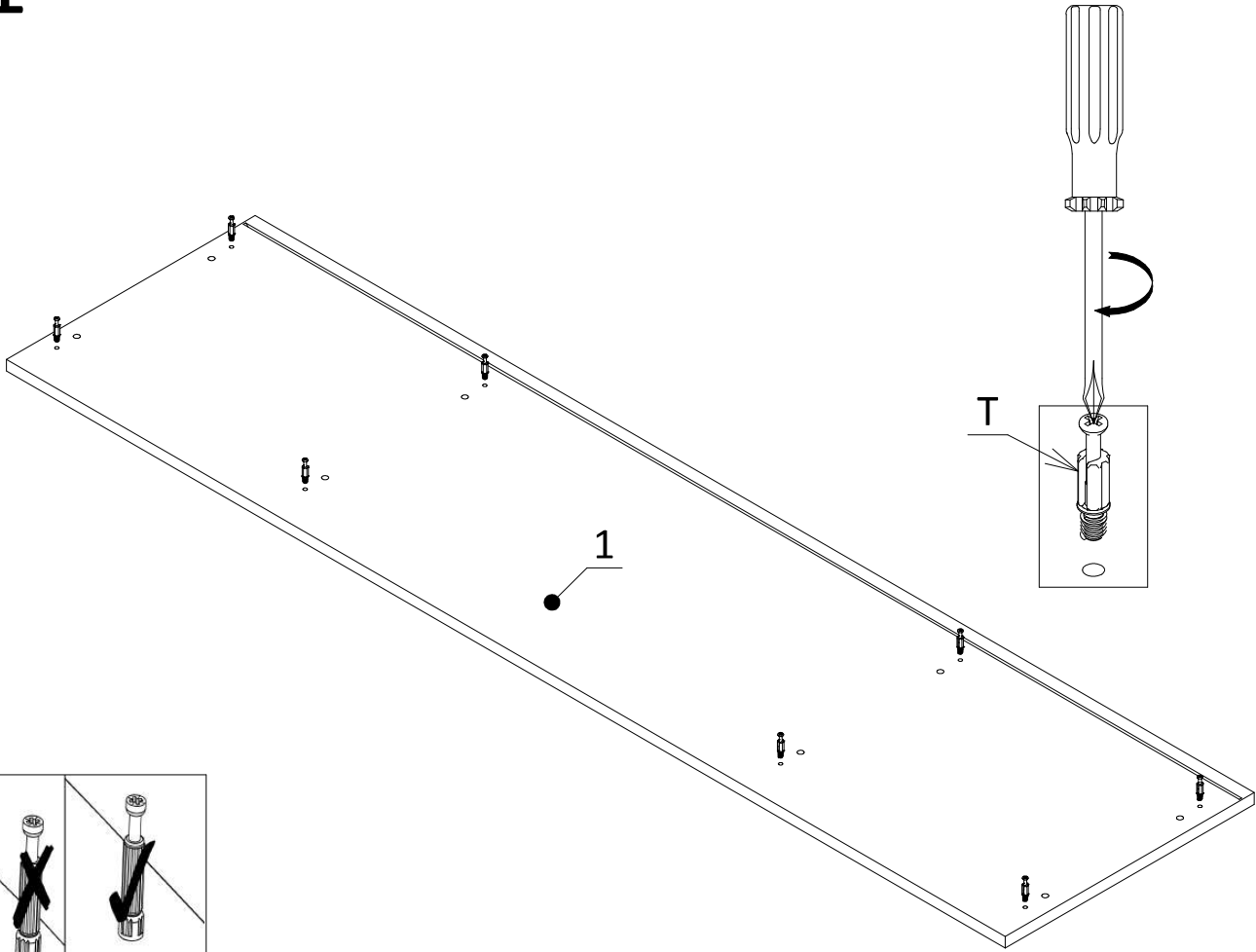
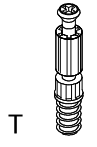
## KOMODA 2D3SZ



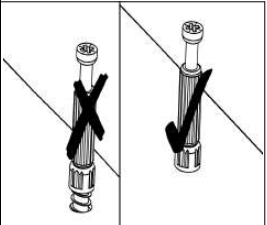
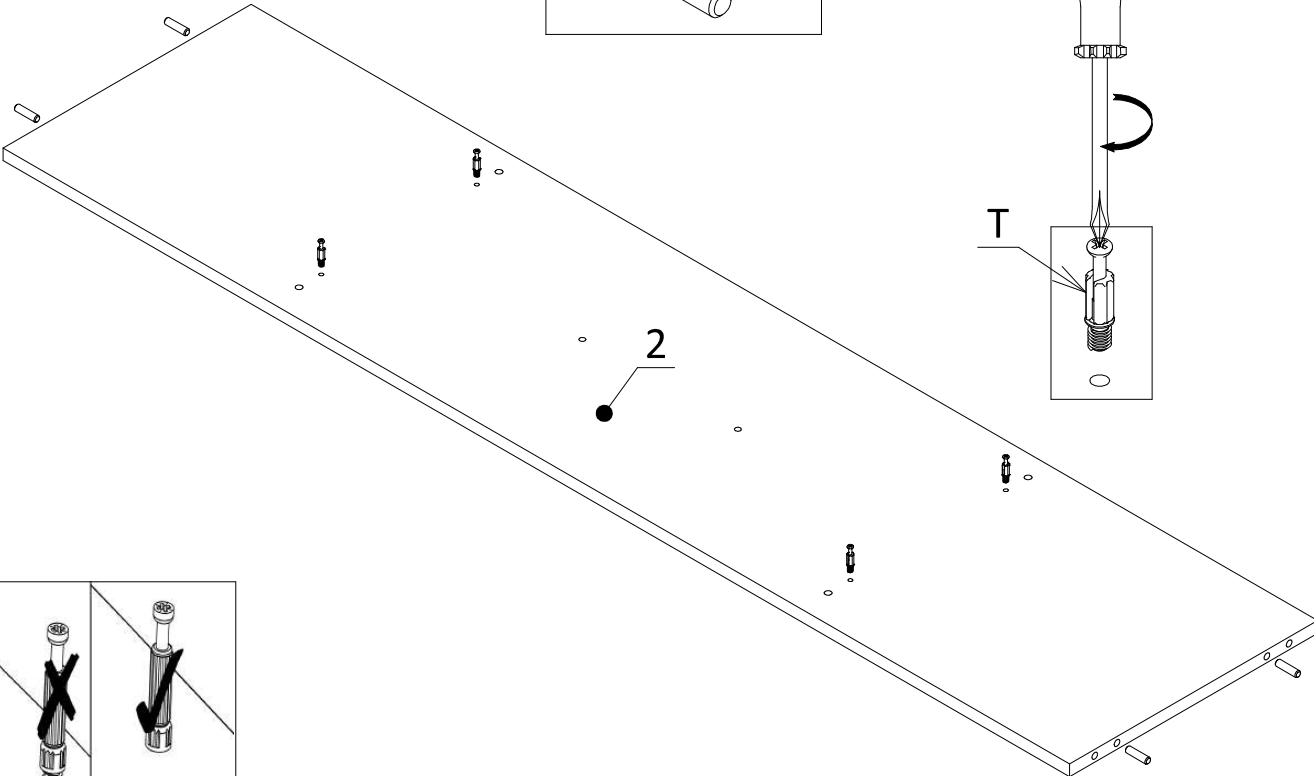
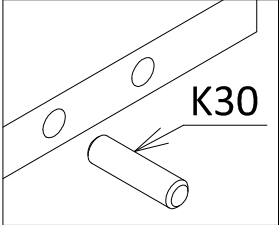
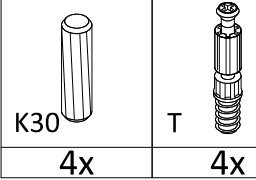


 8x30 K30	 M	 L20,3 T	 3kpl. PK-0H35-350	 ZK						
34x	28x	28x		12x						
 M6x12 MF	 7x50 KF	 M6x25 S1	 ZP9	 PZ	 5x13 E	 4x13 W4	 4x16 W4x16	 M4x22 WU	 PP	
12x	8x	12x	4x	4x	24x	6x	9x	5x	8x	
 SW4 K1	 SW6 K2	 SL	 2x20 GW	 ST	 ZM	 U	 SW	 L350 W	 LH	
1x	1x	6x	25x	8x	28x	5x	1x	3x	1x	

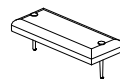
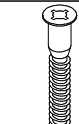

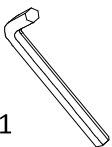
# 1

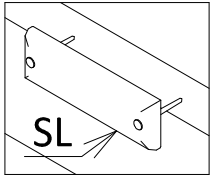
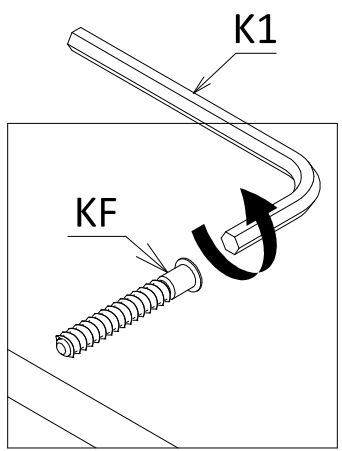
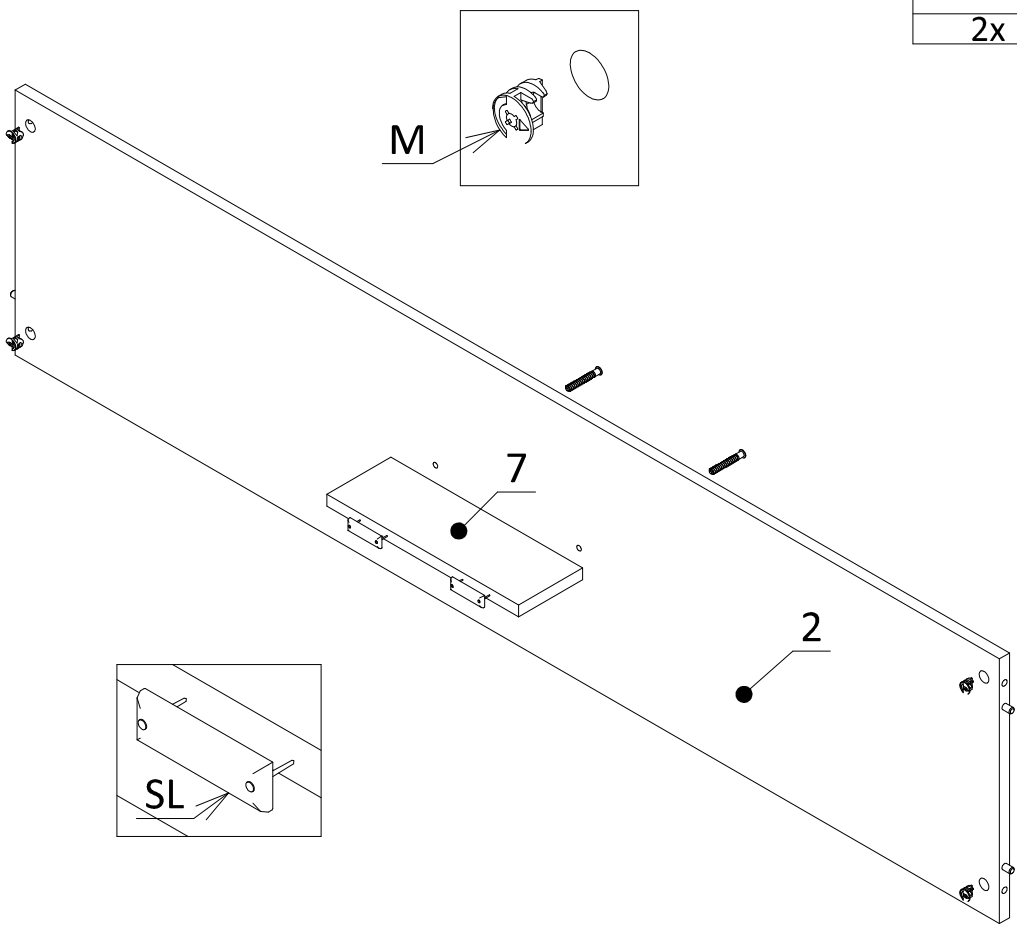


# 2

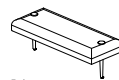

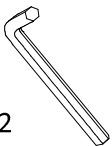


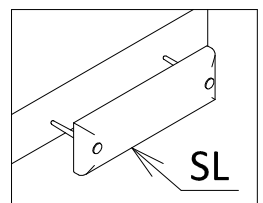
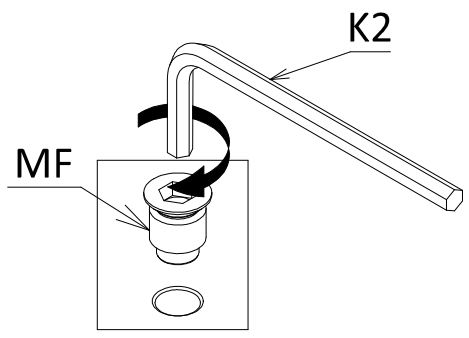
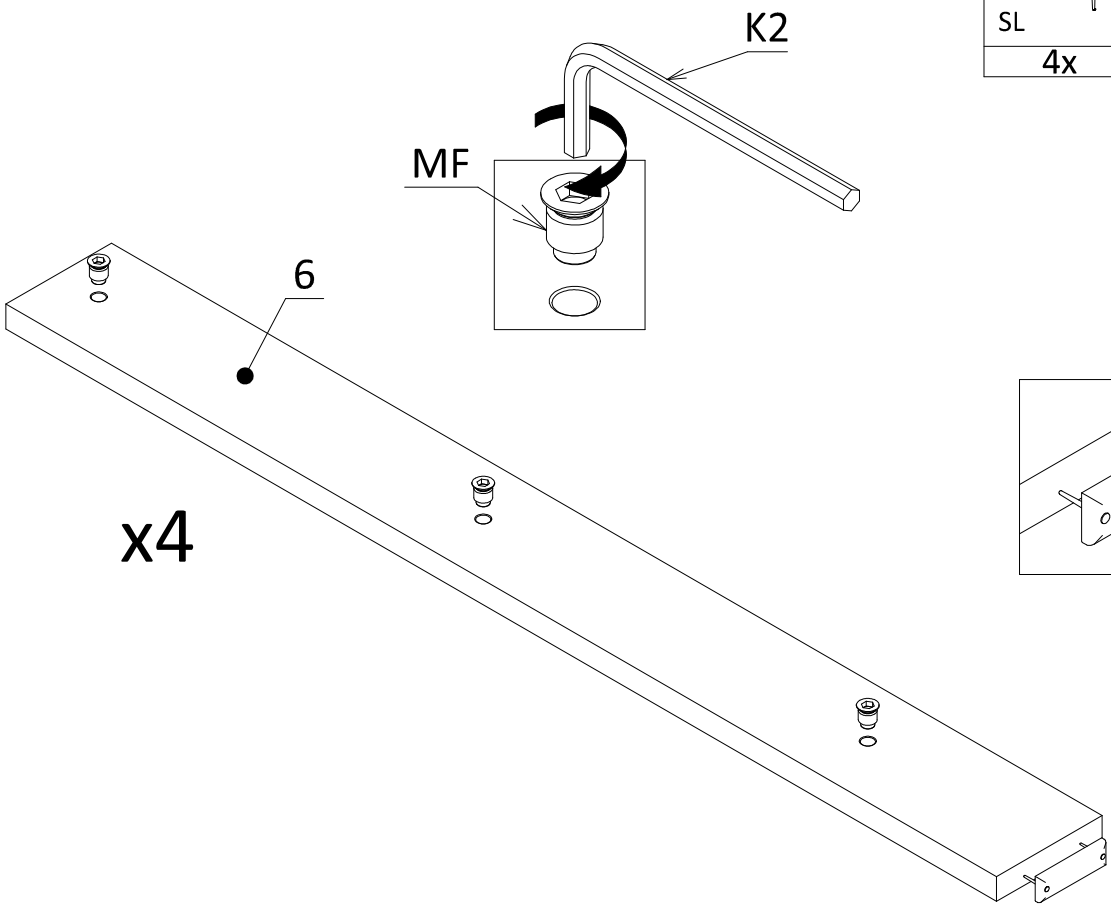
# 3

 SL	 KF	 M	 K1
2x	2x	4x	1x

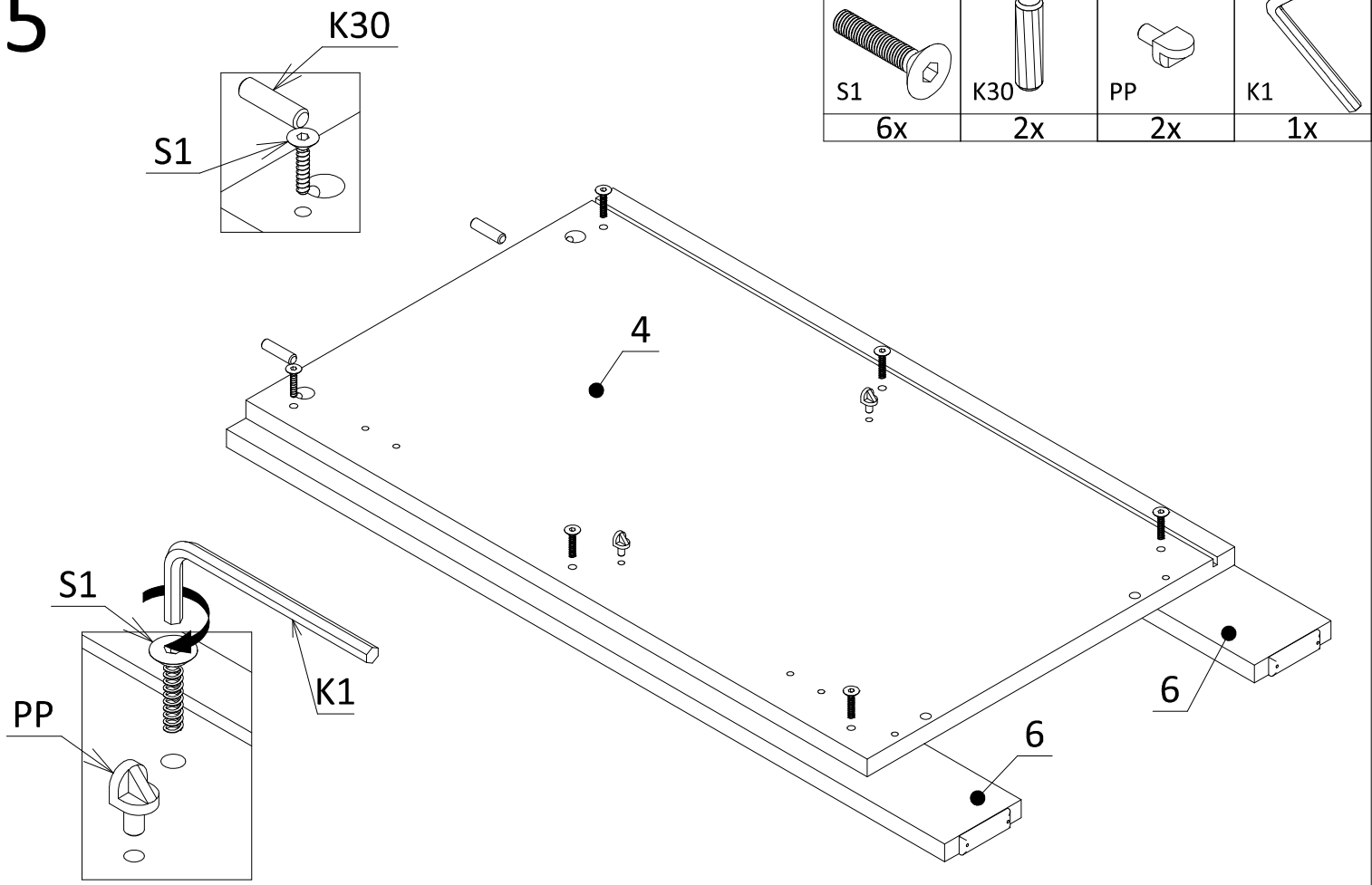


# 4

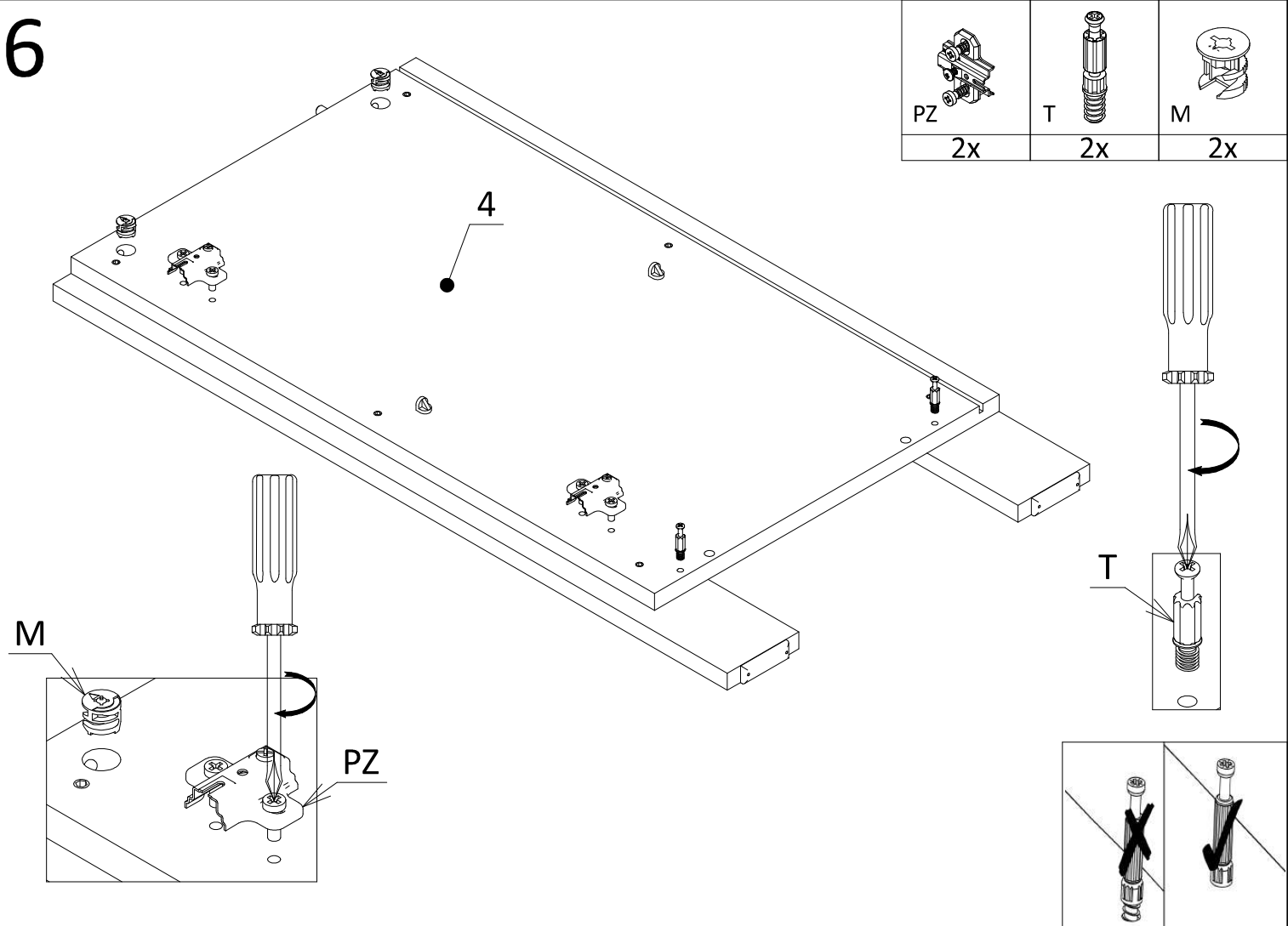
 SL	 MF	 K2
4x	12x	1x



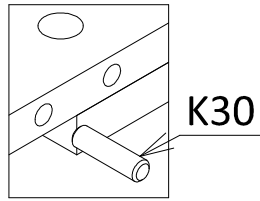
# 5



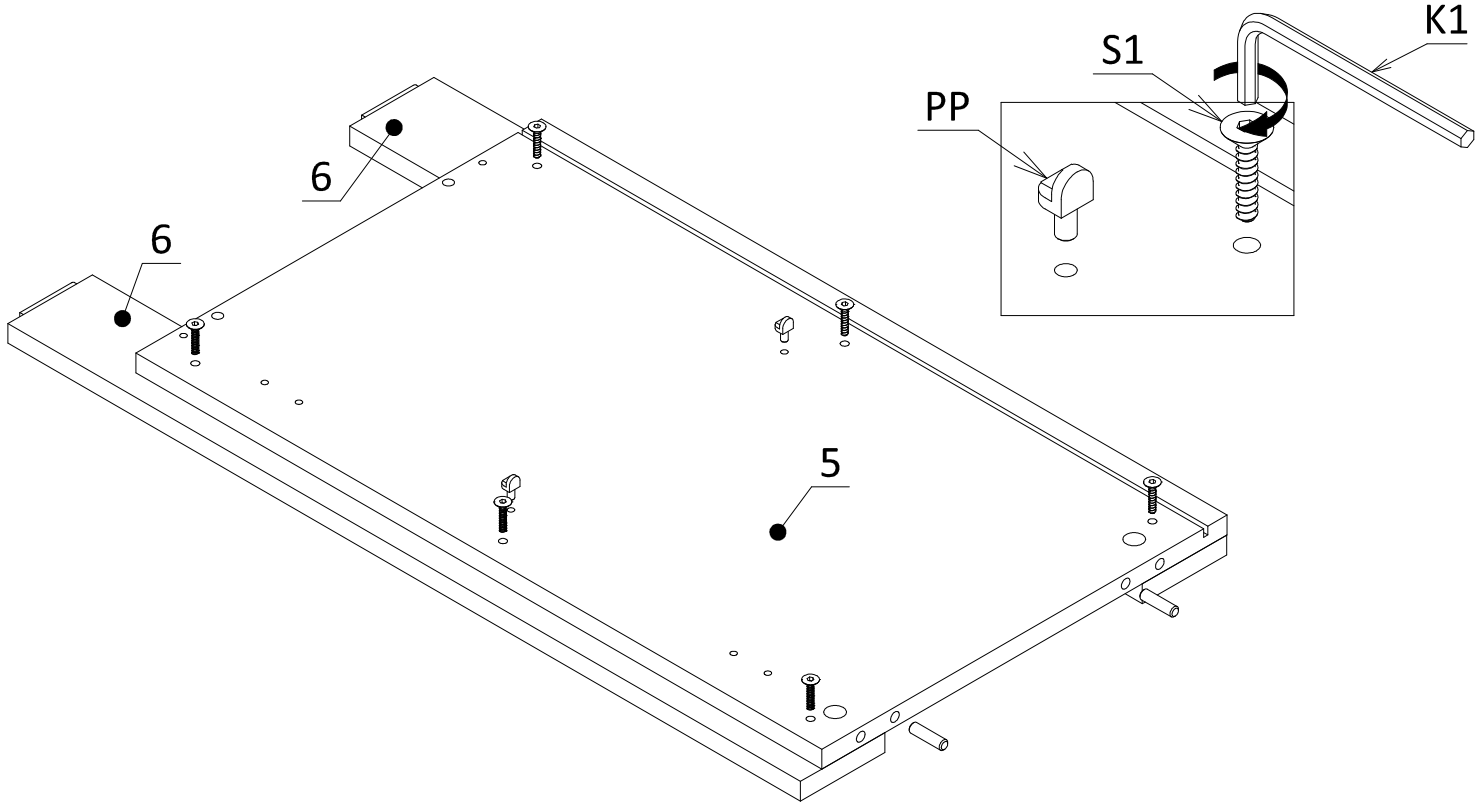
# 6



# 7

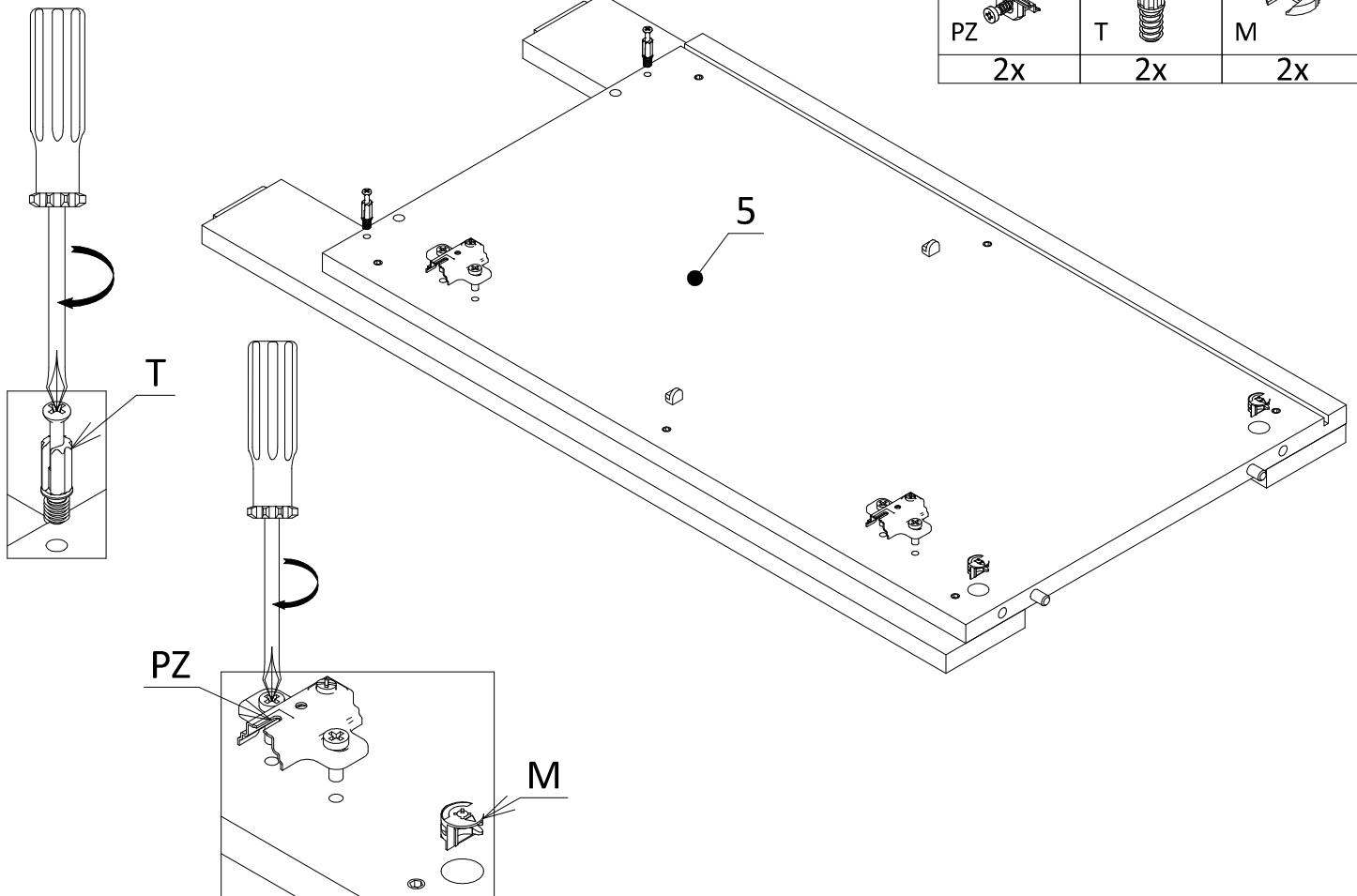


PP	K30	S1	K1
2x	2x	6x	1x

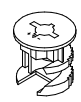
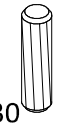


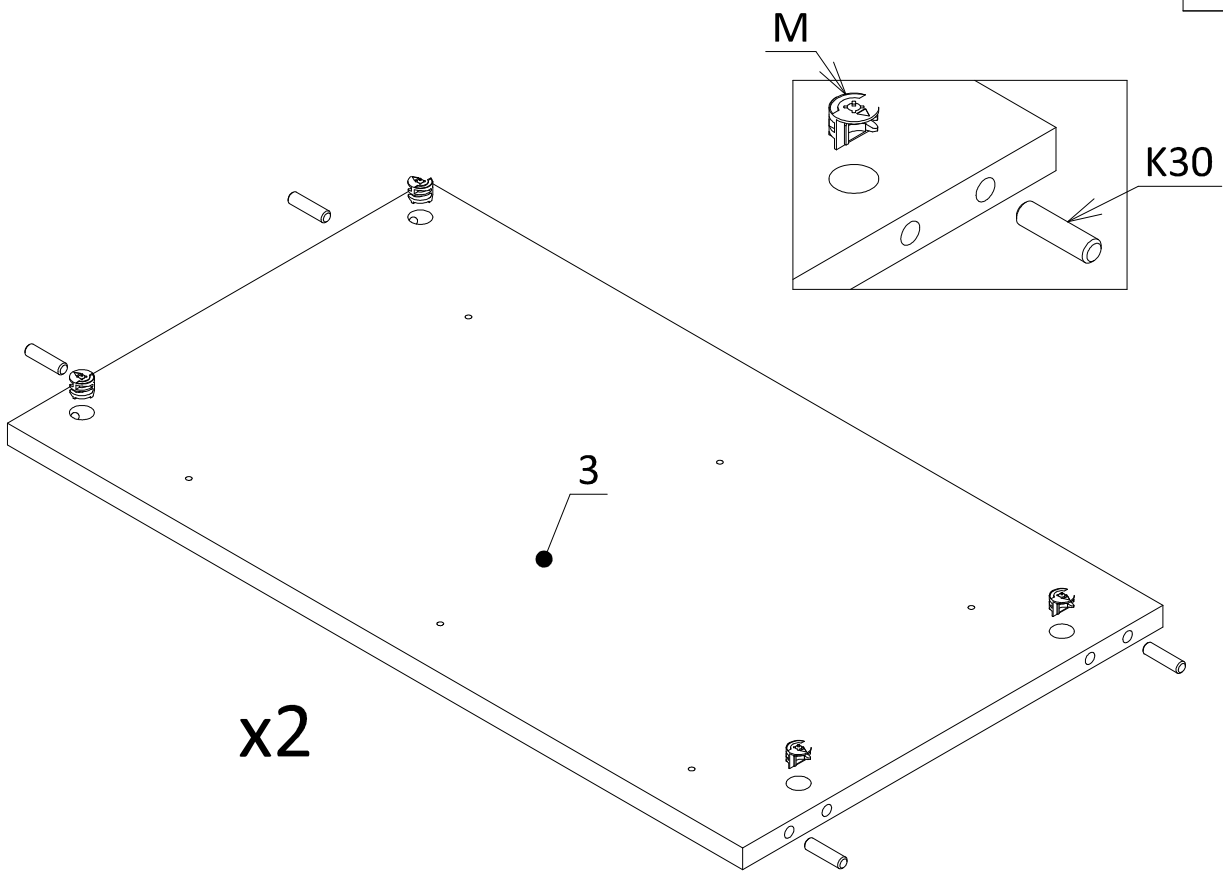
# 8

PZ	T	M
2x	2x	2x

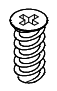


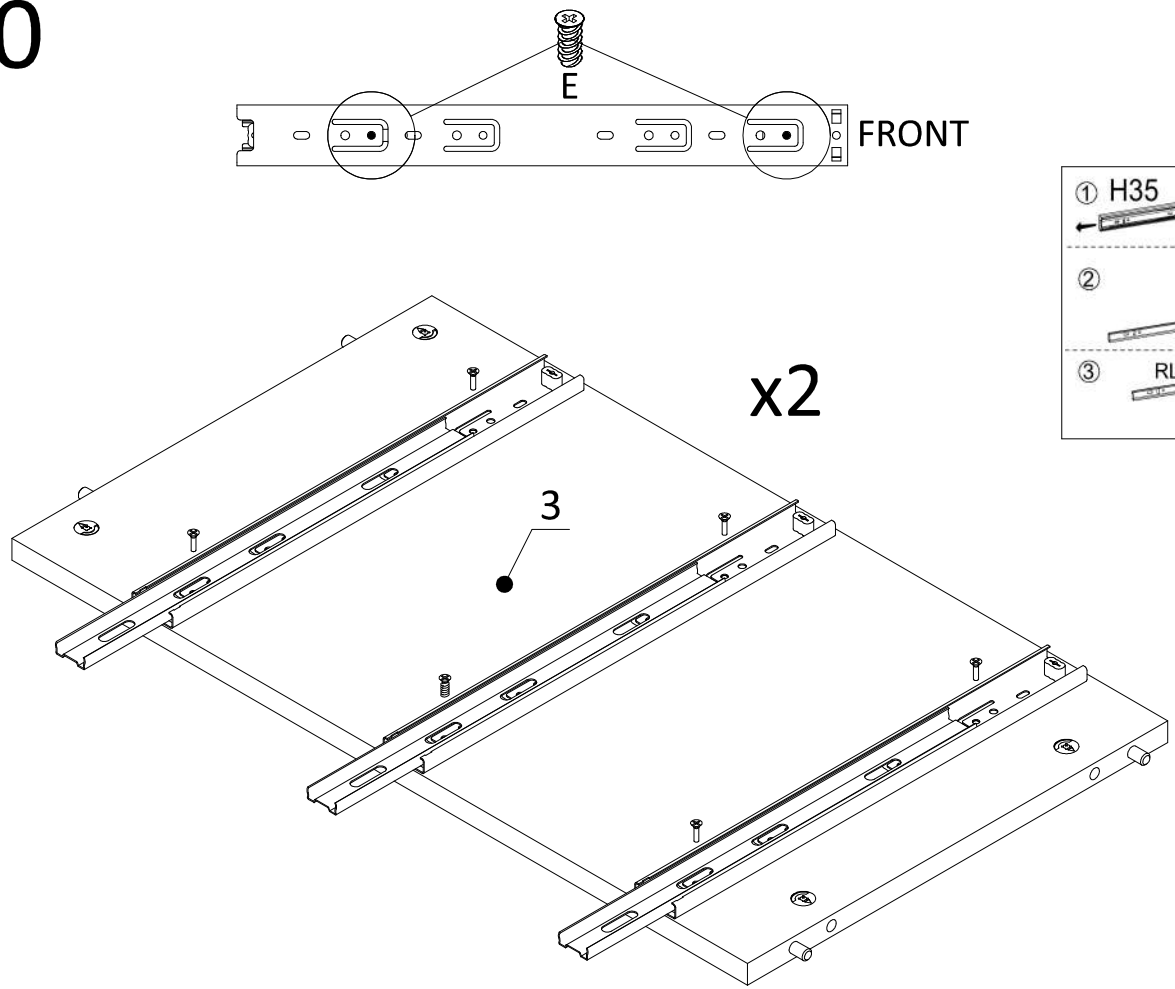
# 9

	
M	K30
8x	8x

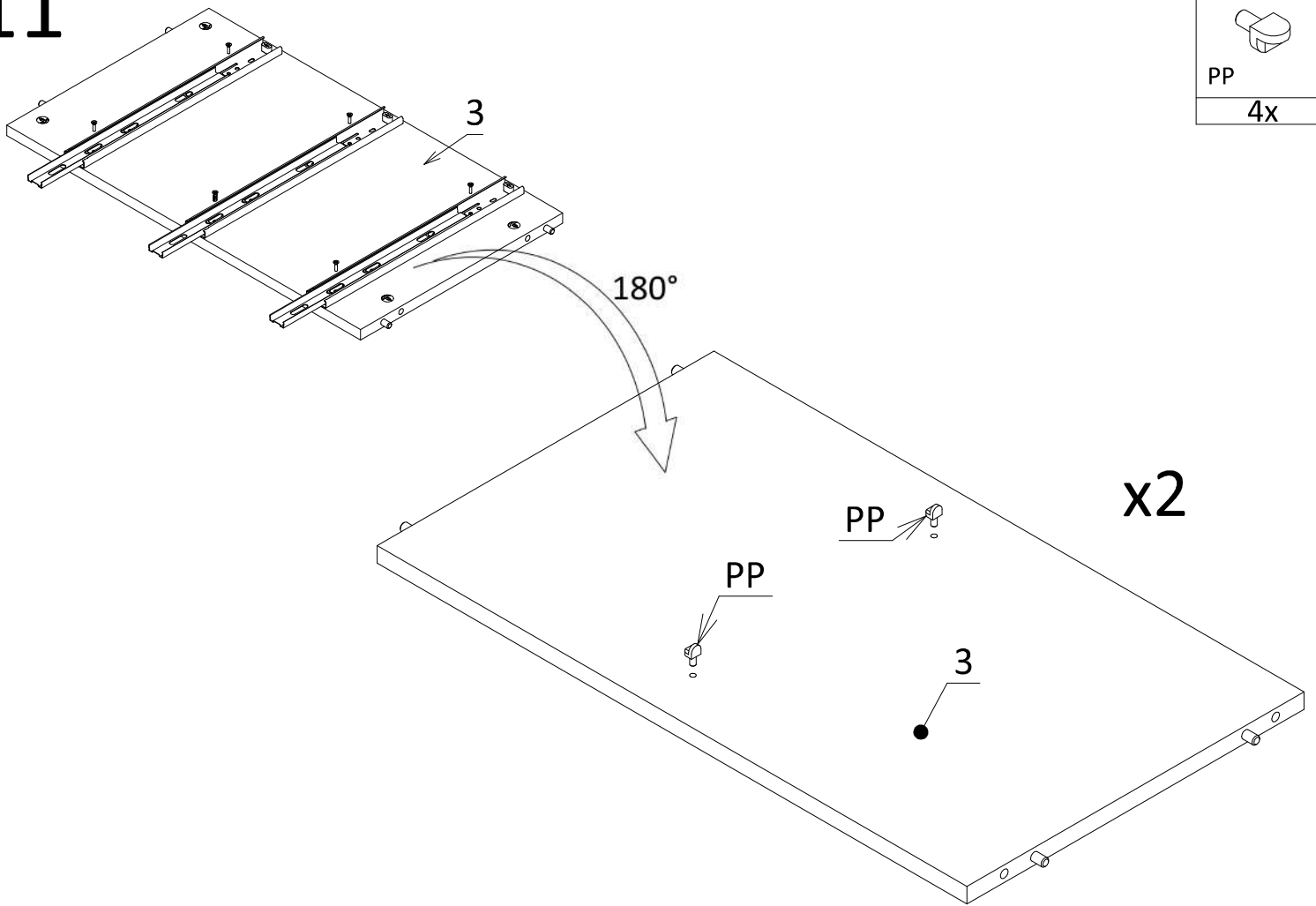


# 10

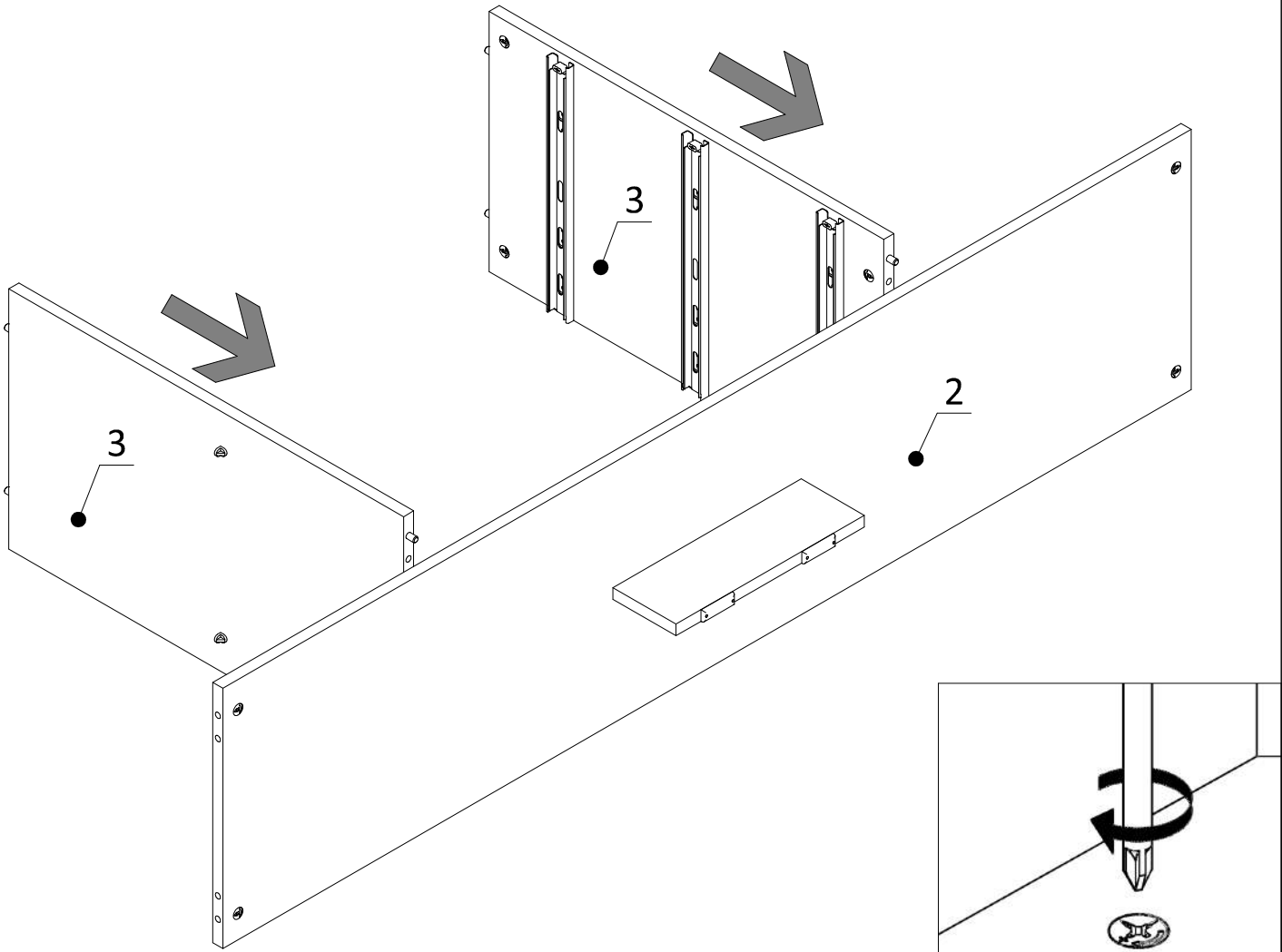

E
12x



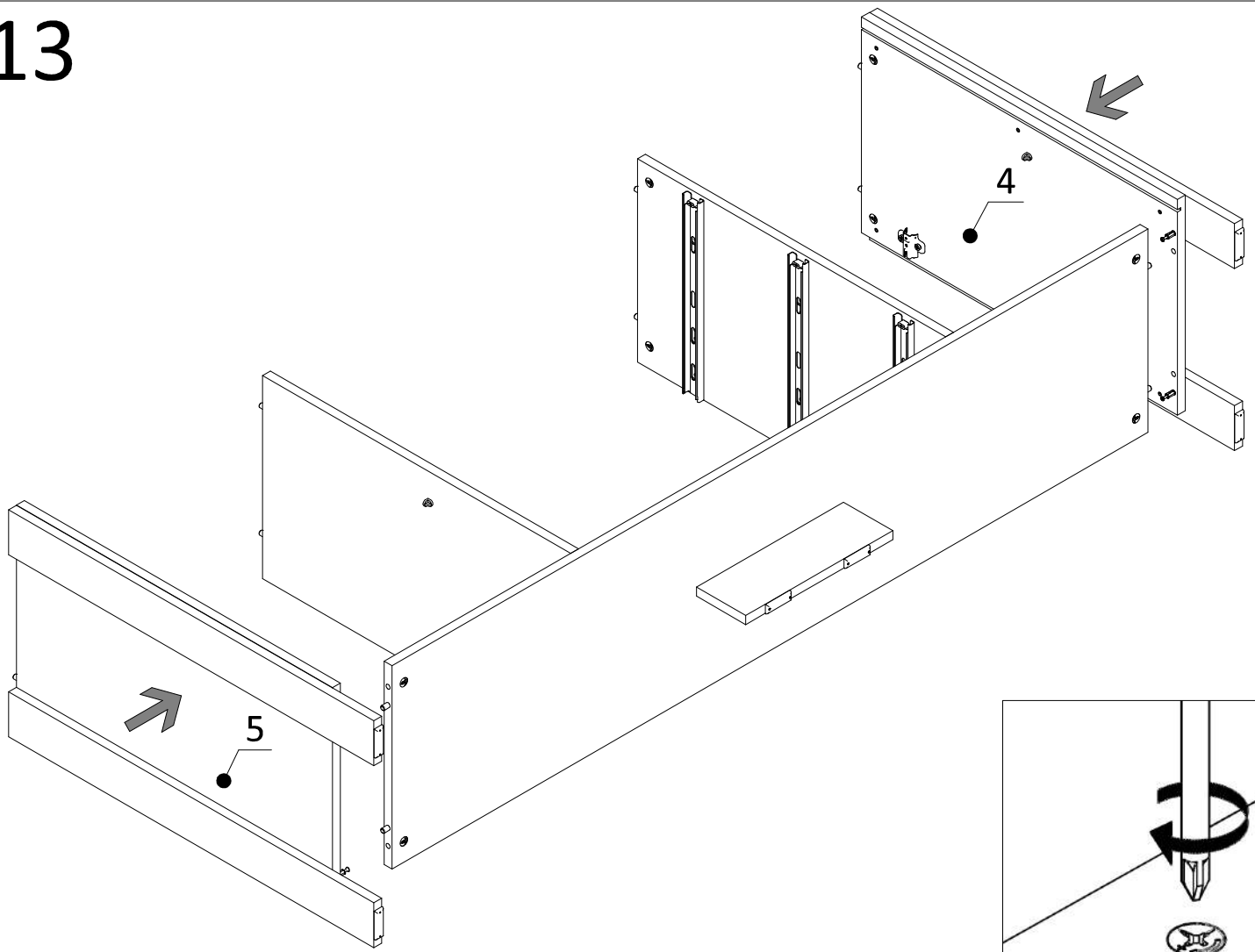
# 11



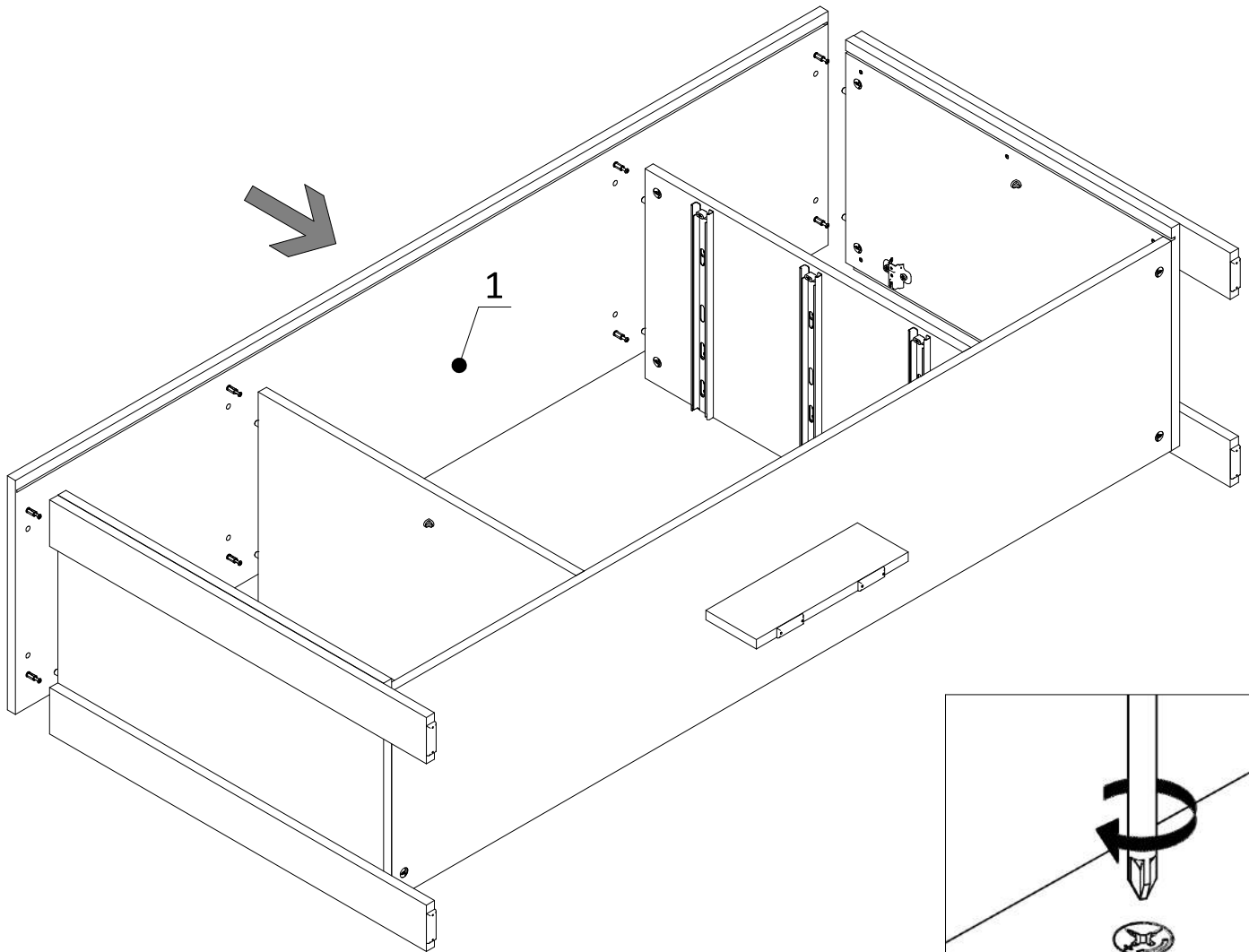
# 12



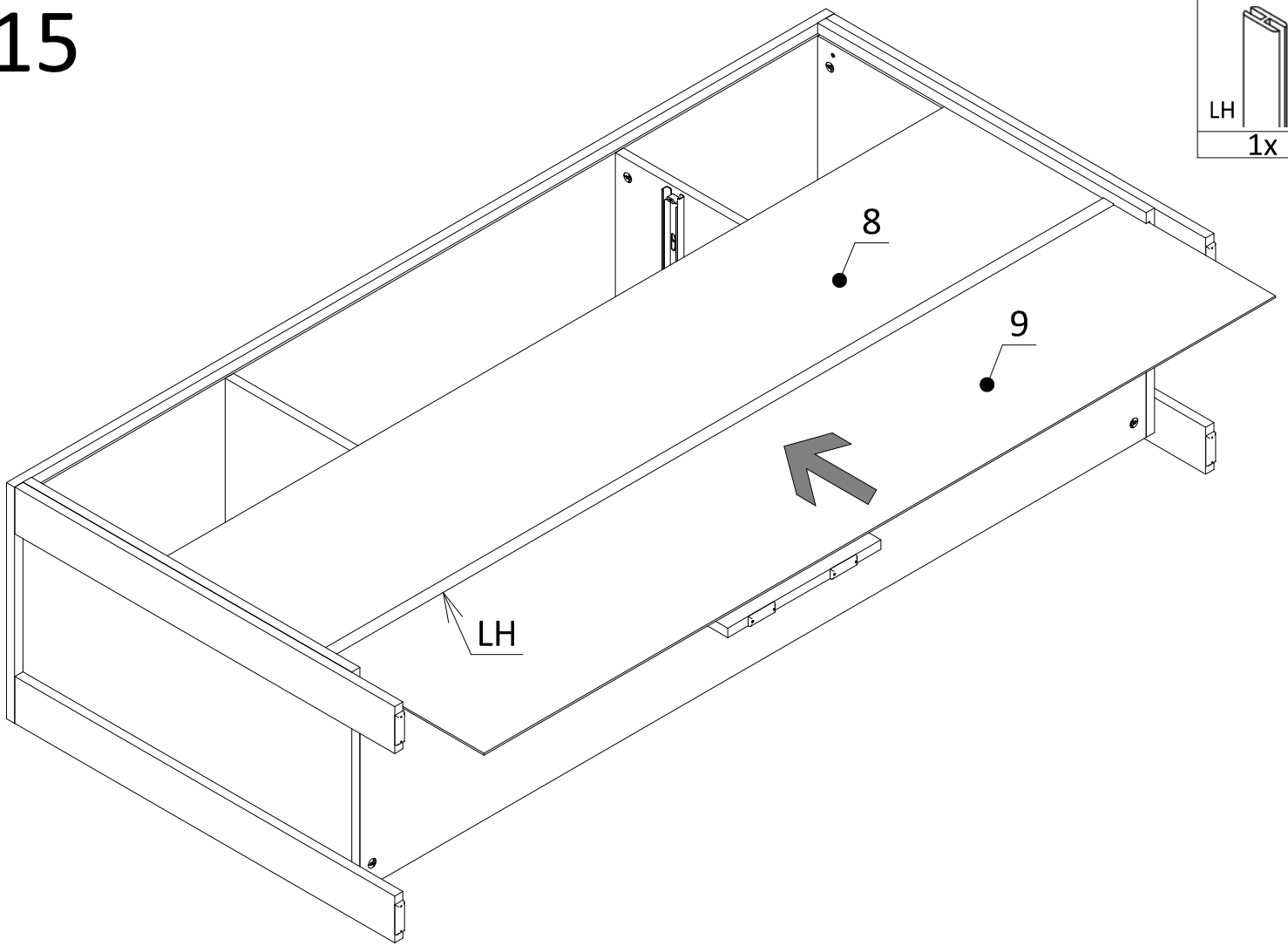
# 13



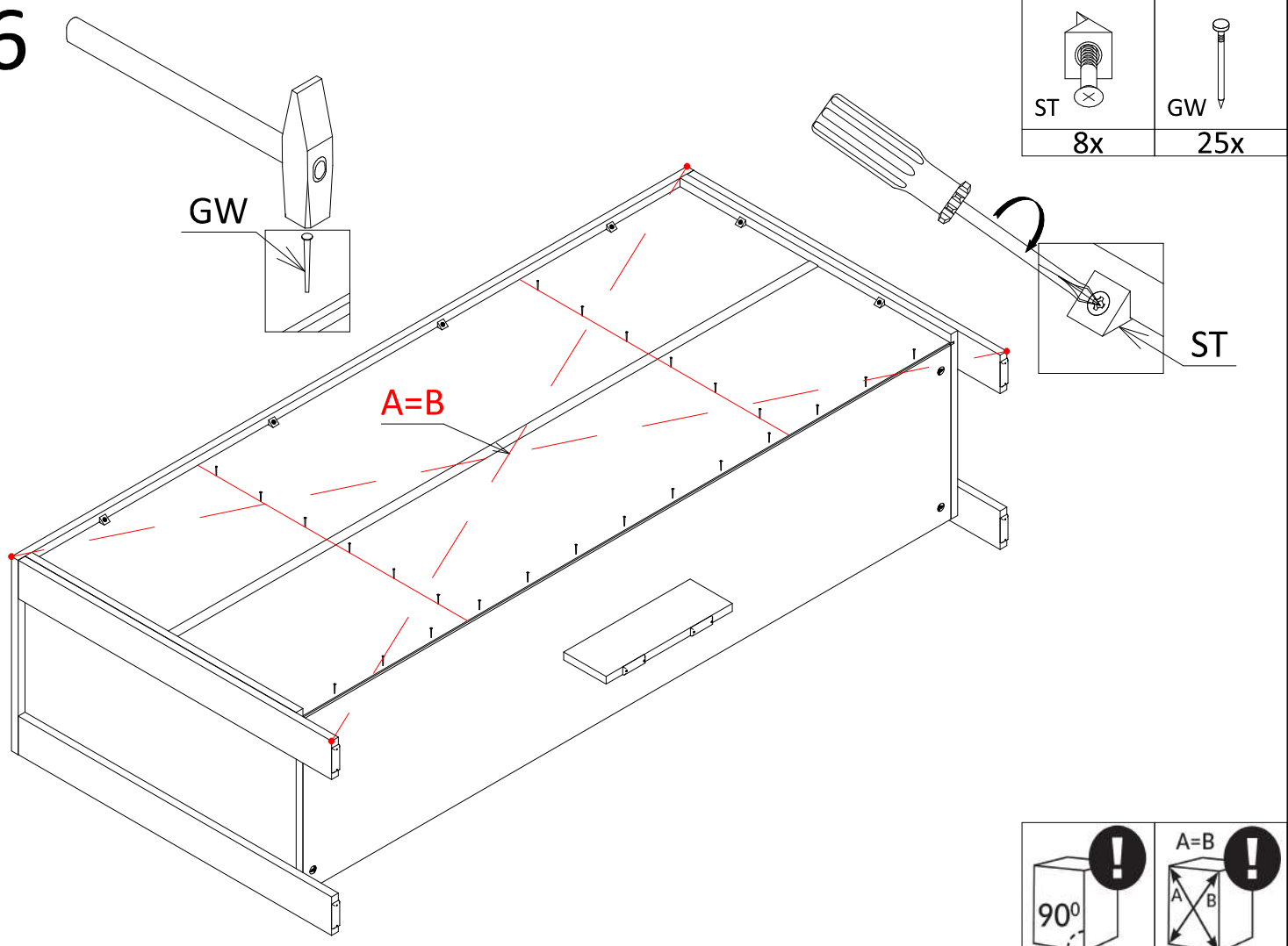
# 14



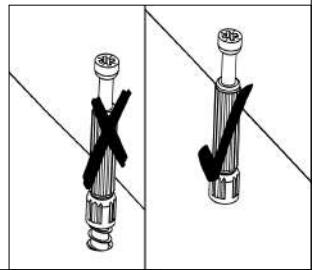
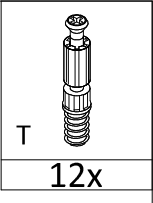
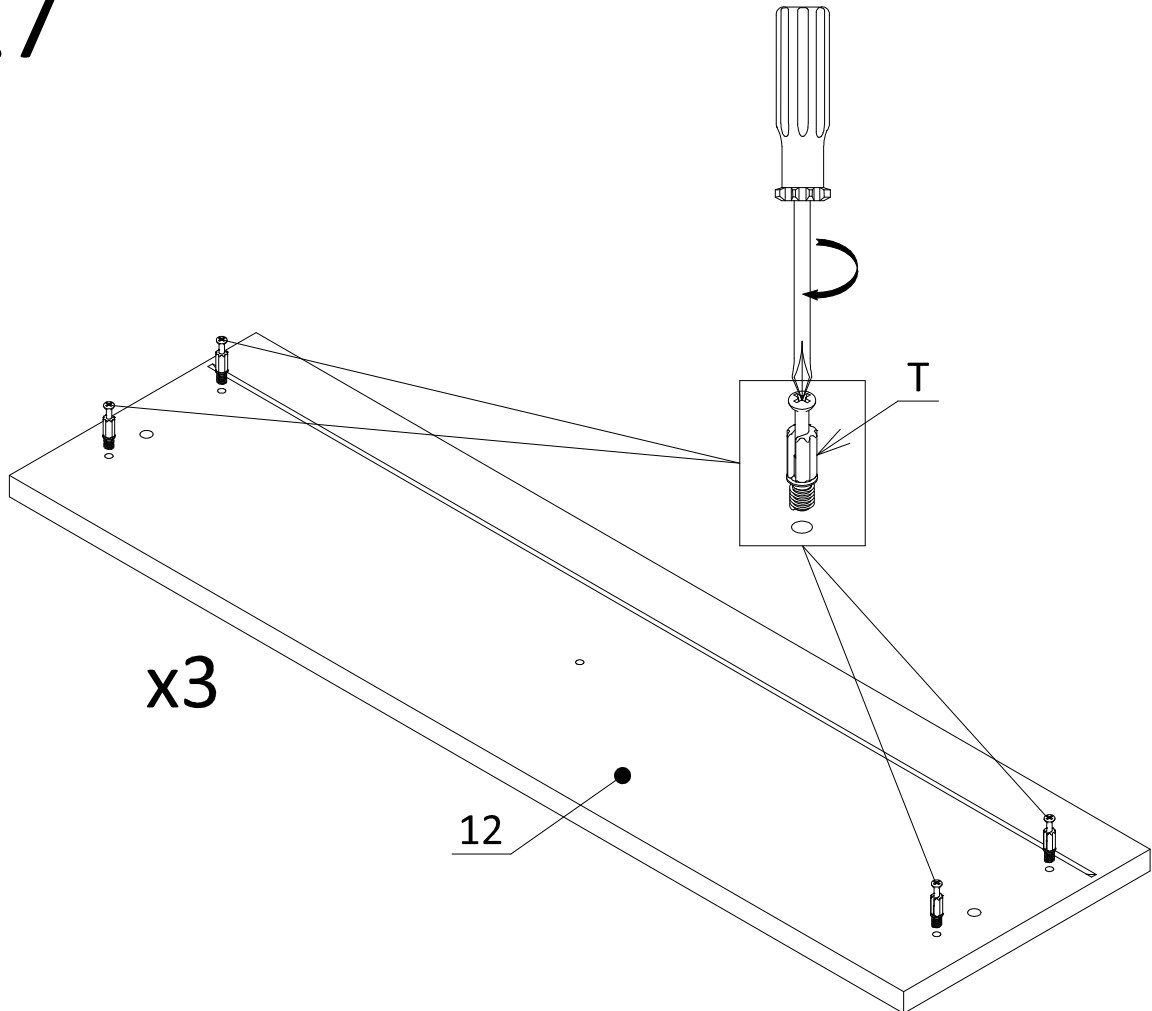
# 15



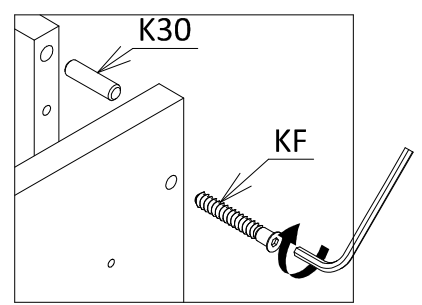
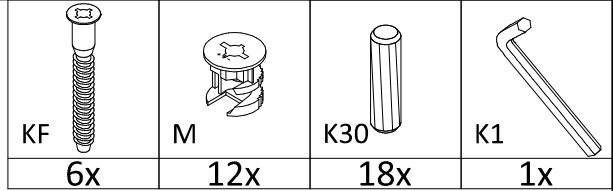
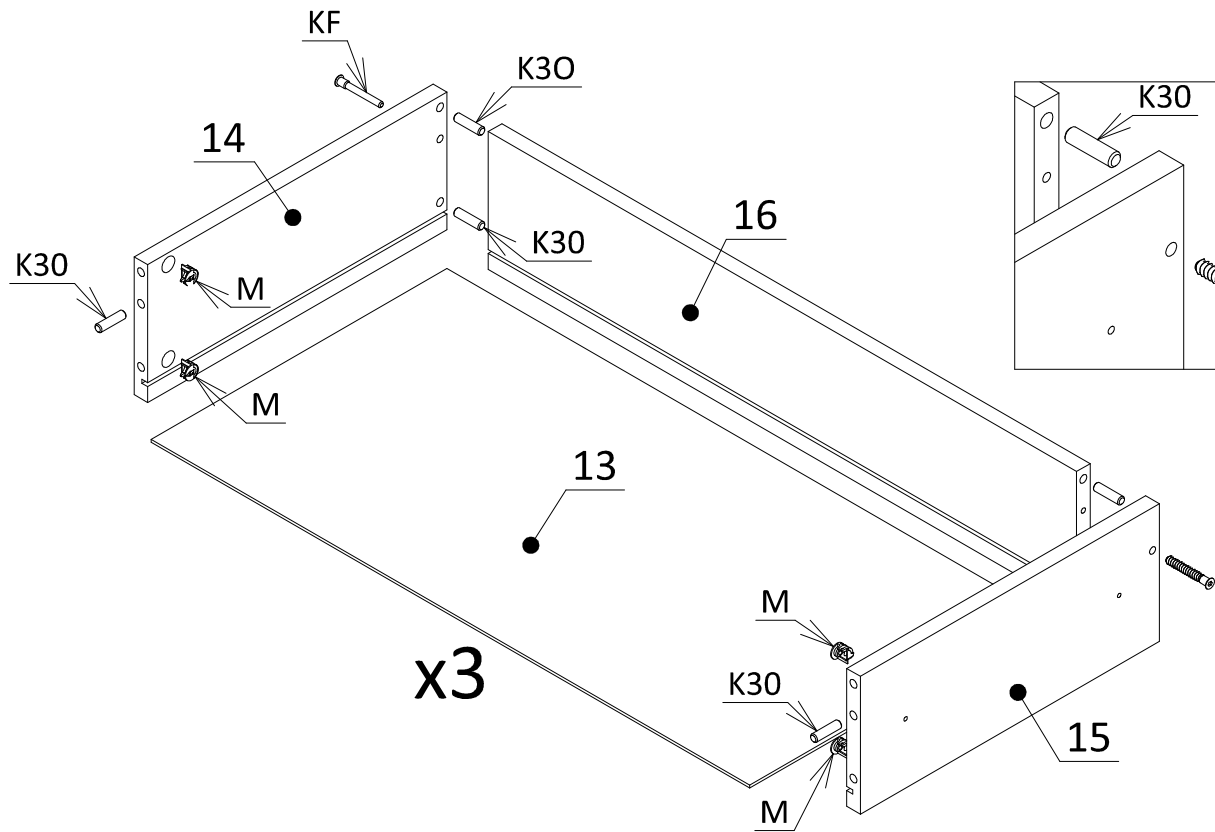
# 16



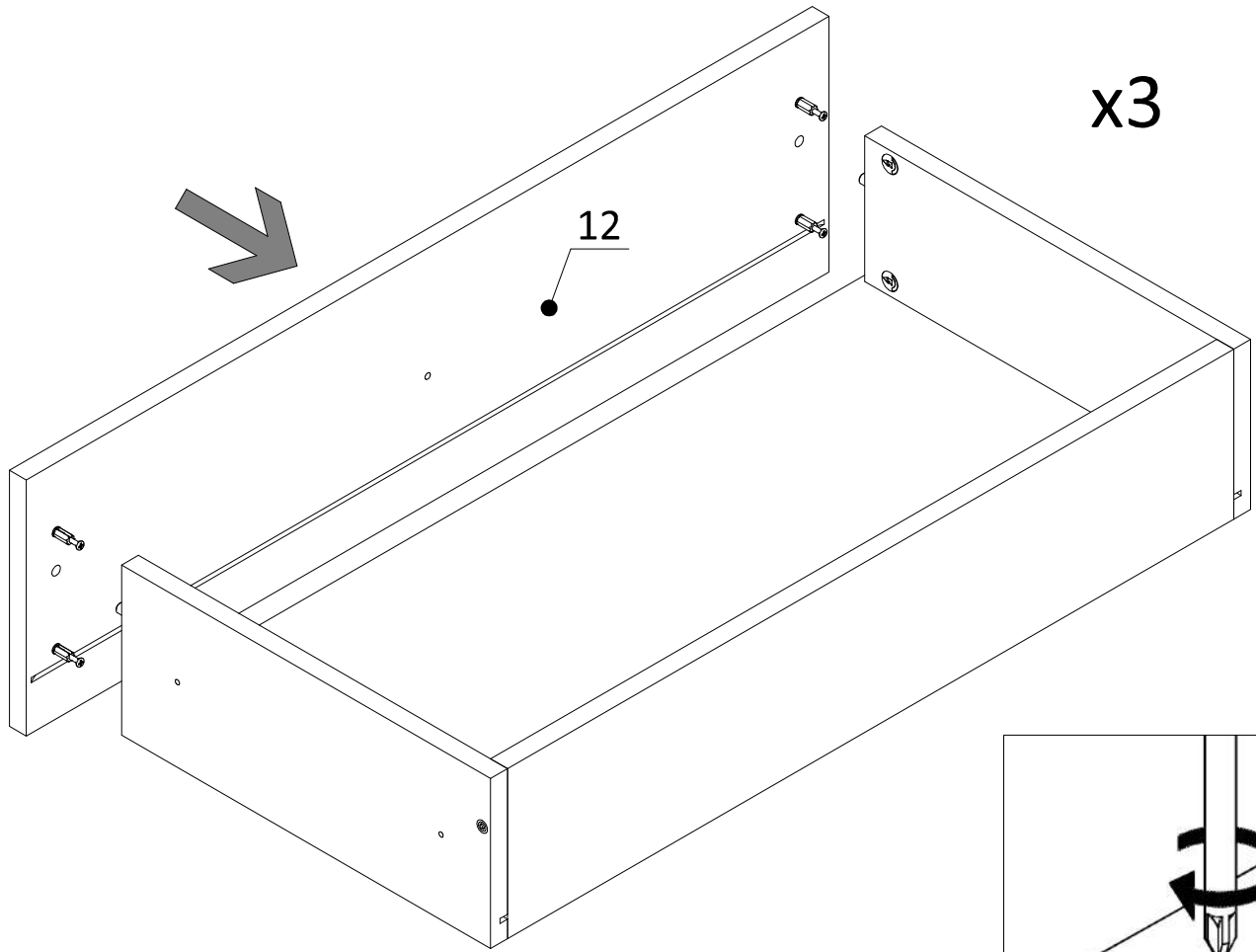
# 17



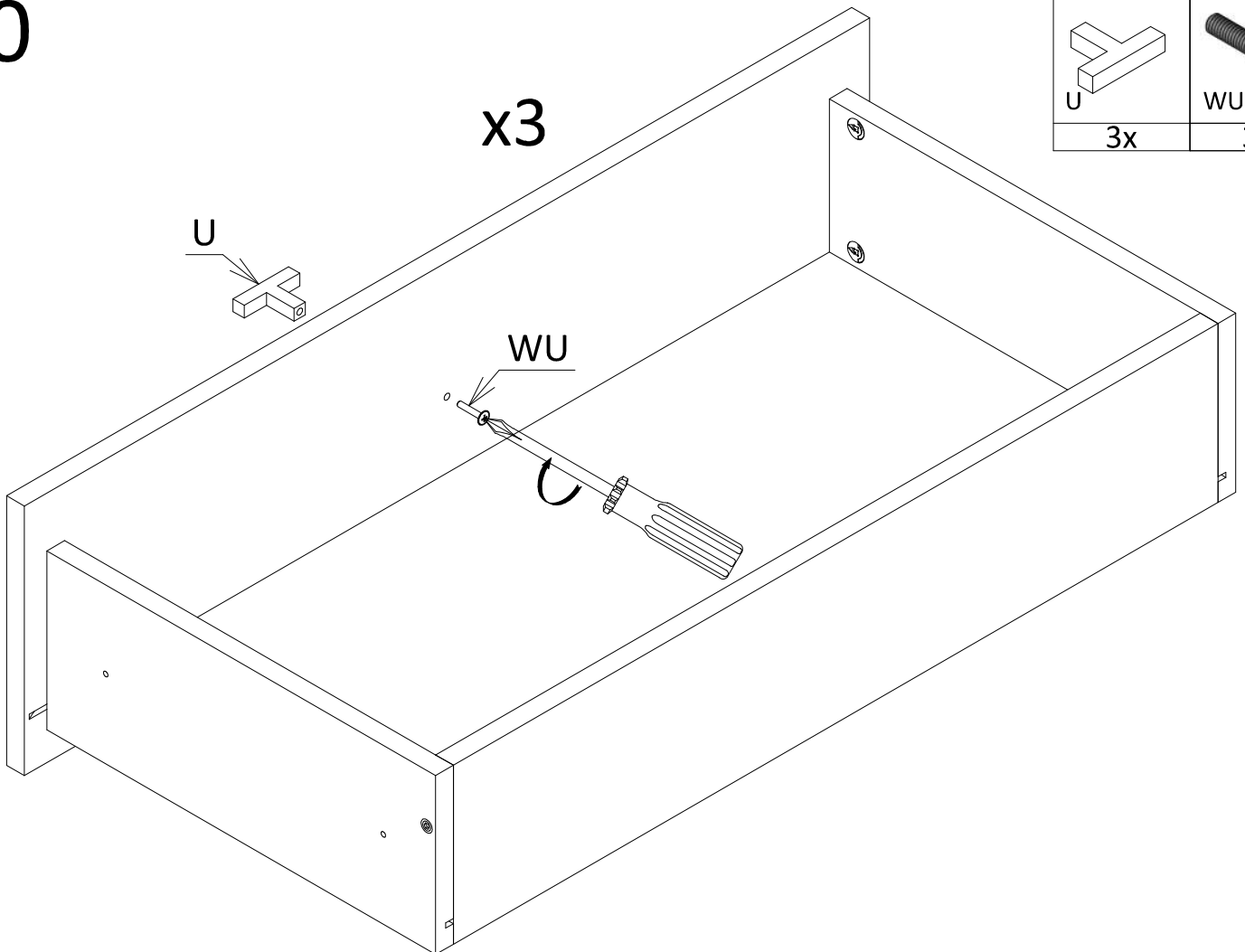
# 18



# 19

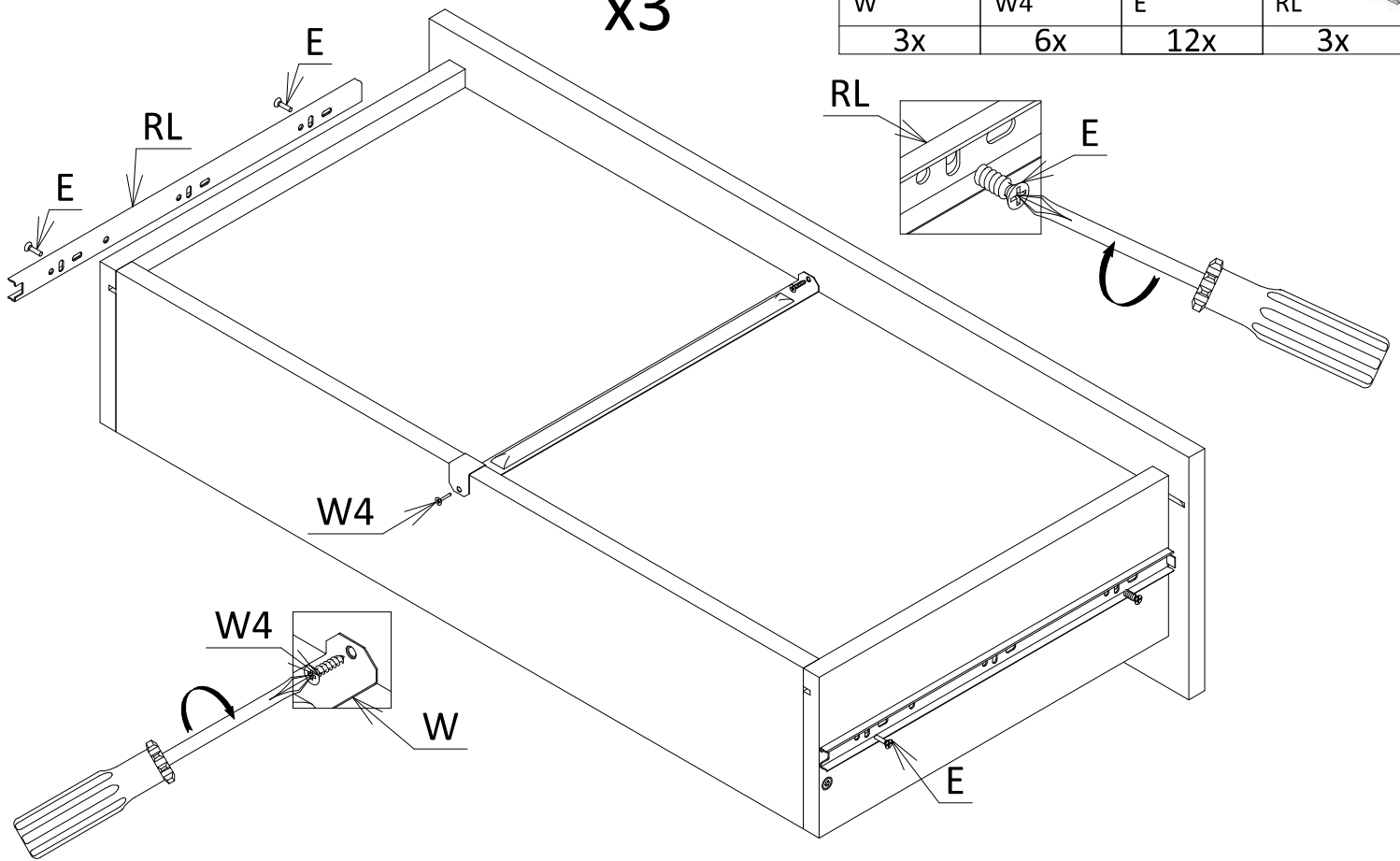


# 20



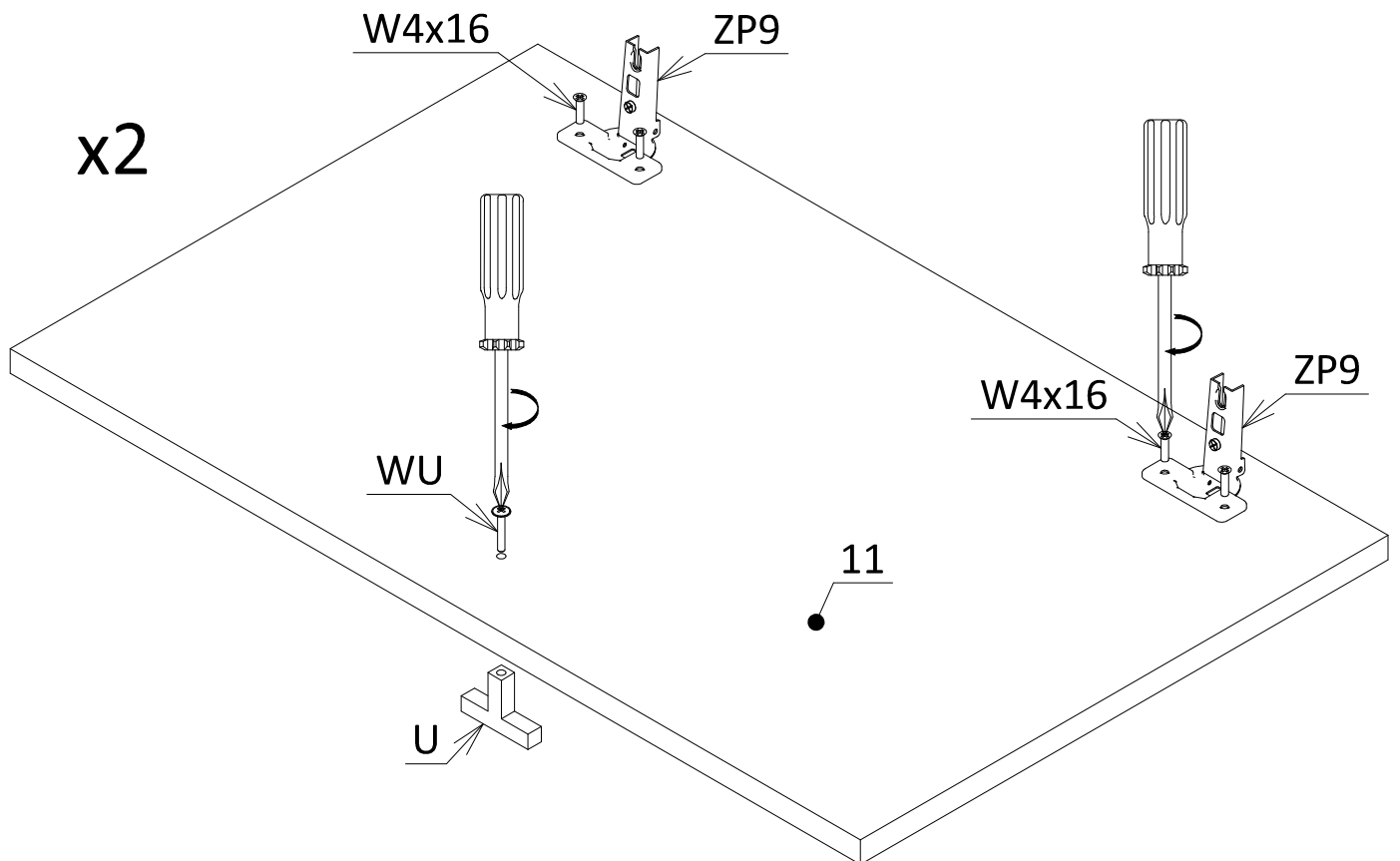
# 21

## x3

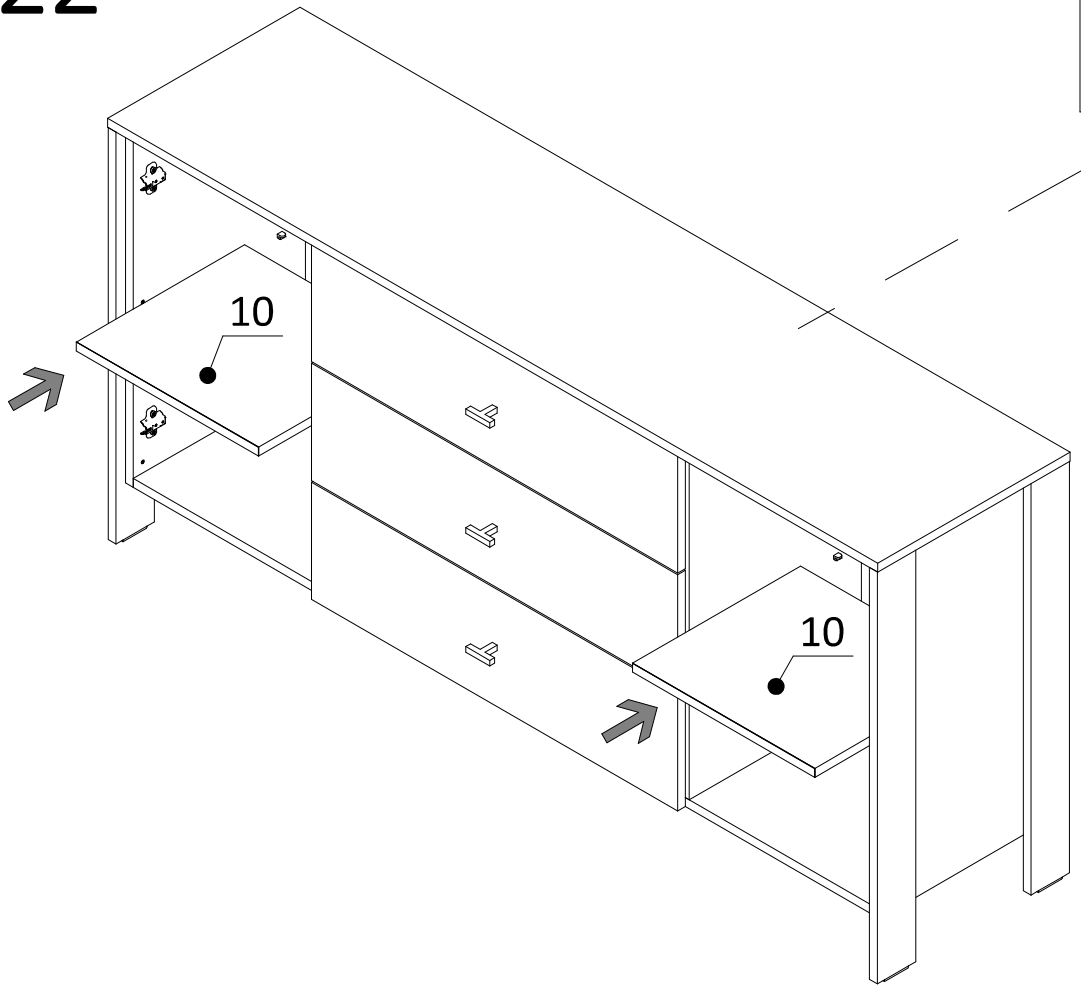



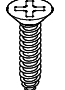
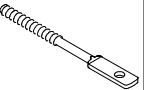
# 22

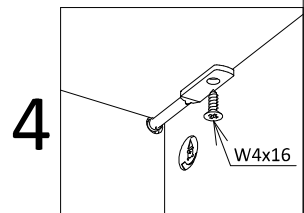
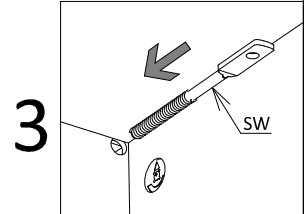
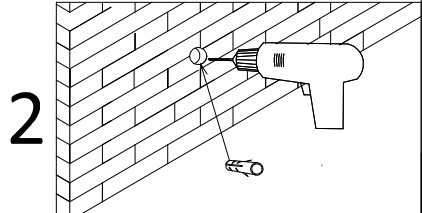
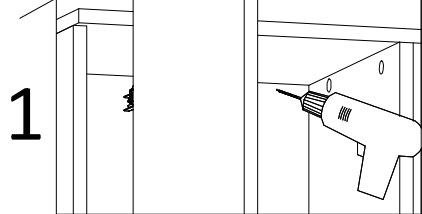
## x2



# 22



	 W4x16	 SW
	1x	1x



# 23

