

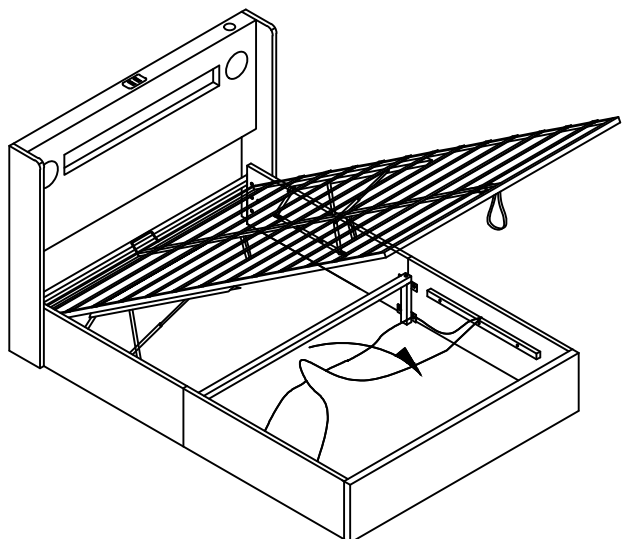
# ASSEMBLY INSTRUCTION

## TIPS

1. Please read the instructions fully before assembly. These instructions include important information which could ensure correct assembly. We have been working on providing high quality products for you. However, in the rare instance that your product is defective, missing parts or there are some issues, please don't hesitate to contact our customer service to submit parts requirements, assembly suggestion, or warranty claims, and we will give the best solution as soon as possible. If necessary, we need you to provide some more clear pictures of the issue.

2. Insert the screws in holes and tighten the screws, but not too tight, 70%~80% is ok, finally tighten all the screws. If some issues happened that some screws can not target to the hole or some parts are difficult to install, please adjust the tightness of the screws.

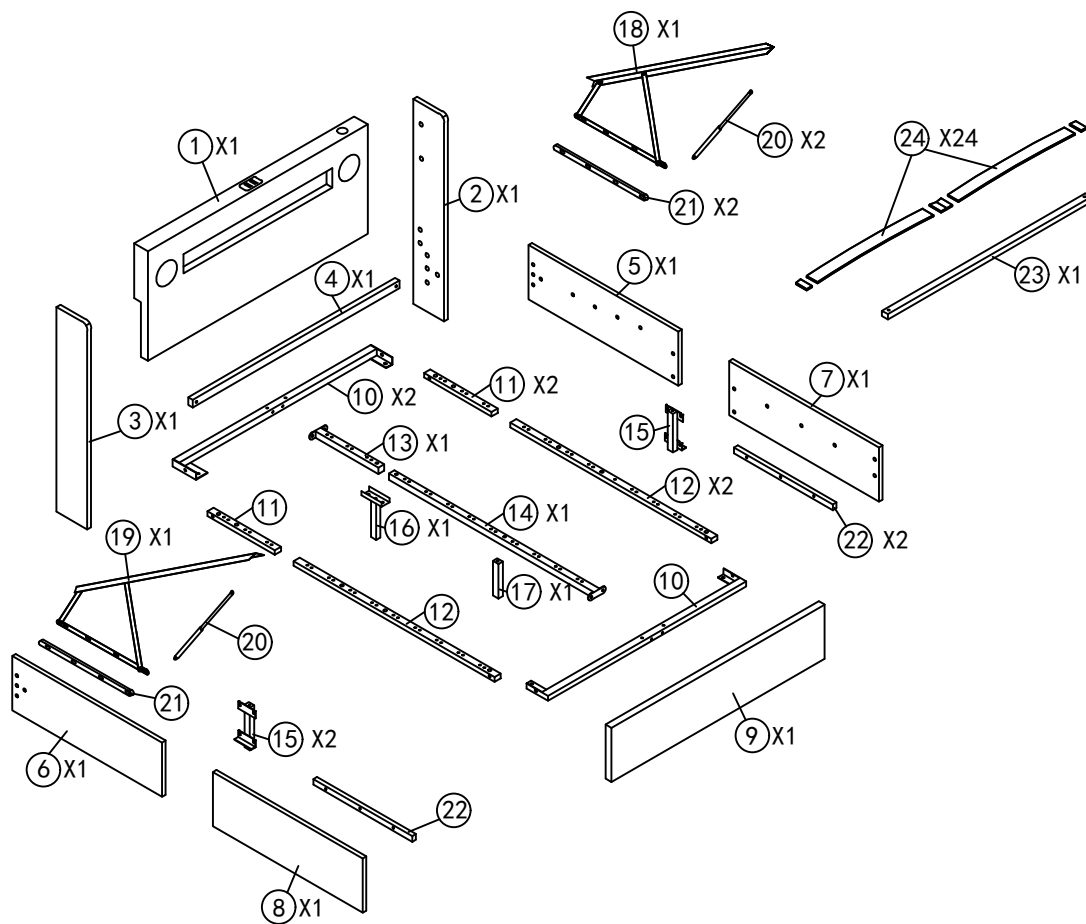
3. 2 people are recommended to finish



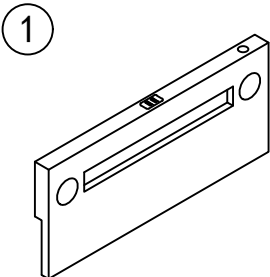
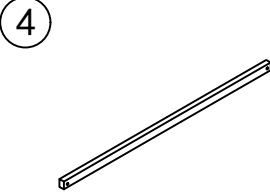
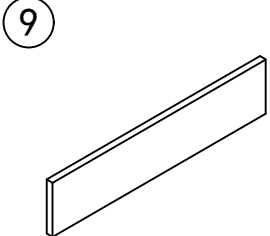
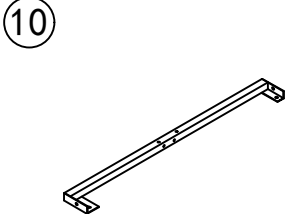
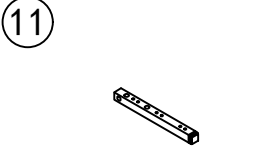
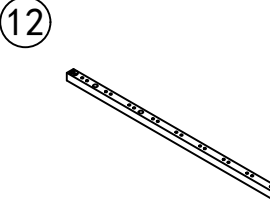
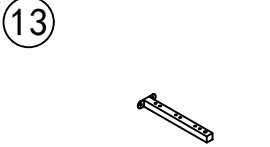
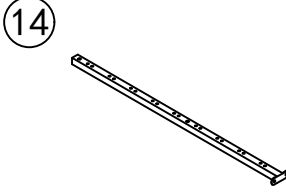
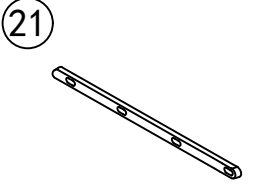
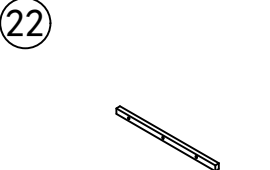
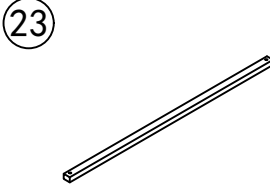
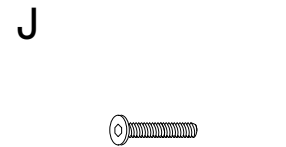
1. Bitte lesen Sie die Anweisungen vollständig durch, bevor Sie Versammlung. Zu diesen Anweisungen gehören wichtige Informationen, die sicherstellen könnten, dass korrekte Montage. Wir haben gearbeitet auf die Bereitstellung qualitativ hochwertiger Produkte für Sie. In den seltenen Fällen, in denen Ihr Produkt defekt ist, Teile fehlen oder sind einige Probleme, zögern Sie bitte nicht, Wenden Sie sich an unseren Kundenservice, um Teilebedarf, Montagevorschläge oder Gewährleistungsansprüche, und wir geben Ihnen die beste Lösung so schnell wie möglich. Wenn erforderlich, benötigen wir von Ihnen einige klarere Bilder des Problems.

2. Stecken Sie die Schrauben in die Löcher und ziehen Sie sie fest die Schrauben, aber nicht zu fest, 70% ~ 80% ist Ok, zum Schluss alle Schrauben festziehen. Wenn einige Es sind Probleme aufgetreten, dass einige Schrauben nicht auf die Bohrung abzielen oder einige Teile sind schwierig zu installieren, passen Sie bitte die Dichtheit der Schrauben.



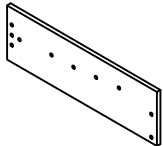
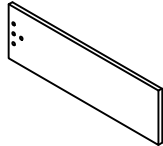
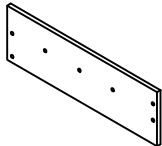
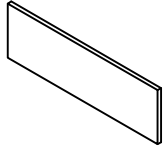
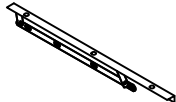
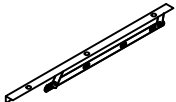
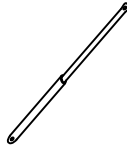
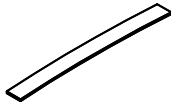


3. Es wird empfohlen, 2 Personen zu beenden





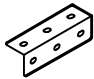
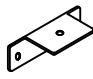
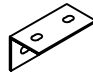






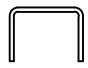

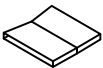


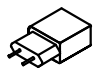


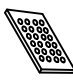
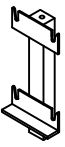
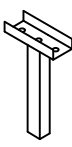

## Part List WF315632AAW

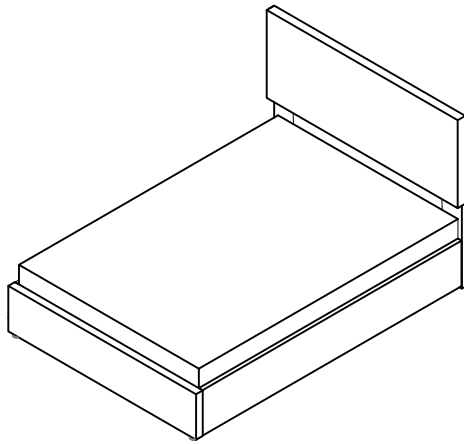
 <p>1 Headboard x1</p>	 <p>4 side panel connecting bar x1</p>	 <p>9 footboard x1</p>	 <p>10 Gas lift frame cross bar x2</p>
 <p>11 Gas lift frame vertical bar(up) x2</p>	 <p>12 Gas lift frame vertical bar(down) x2</p>	 <p>13 Gas lift frame middle bar(up) x1</p>	 <p>14 Gas lift frame middle bar(down) x1</p>
 <p>21 side bar x2</p>	 <p>22 support bar x2</p>	 <p>23 wooden cross bar x1</p>	<p>J</p>  <p>Bolts (M8x40mm) x41</p>

# Part List WF315633AAW

<p>②</p>  <p>Headboard side panel x1</p>	<p>③</p>  <p>Headboard side panel x1</p>	<p>⑤</p>  <p>siderails x1</p>	<p>⑥</p>  <p>siderails x1</p>	<p>⑦</p>  <p>siderails x1</p>
<p>⑧</p>  <p>siderails x1</p>	<p>⑱</p>  <p>gas lift bracket x1</p>	<p>⑲</p>  <p>gas lift bracket x1</p>	<p>⑳</p>  <p>gas lift spring x2</p>	<p>㉔</p>  <p>slat x24</p>
<p>C</p>  <p>base fabric x1</p>	<p>G</p>  <p>Nut x4</p>			

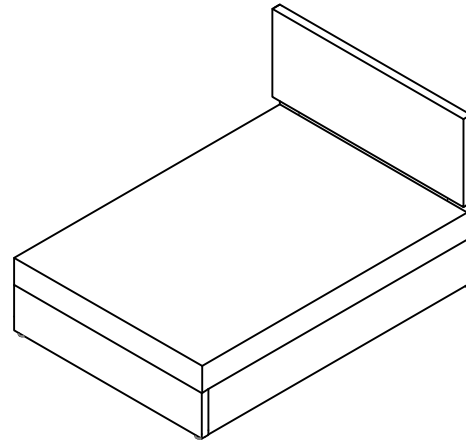
# Hardware List WF315633AAW

<p>A</p>  <p>Allen Key x2</p>	<p>B</p>  <p>Spanner x2</p>	<p>D</p>  <p>Bigger "7" Connector x2</p>	<p>E</p>  <p>"1" Connector x2</p>	<p>F</p>  <p>"7" Connector x1</p>
<p>H</p>  <p>Nut x18</p>	<p>I</p>  <p>Washer x12</p>	<p>K</p>  <p>Bolts (M8x25mm) x16</p>	<p>L</p>  <p>Bolts (M8x16mm) x20</p>	<p>M</p>  <p>plastic leg (25mm) x2</p>
<p>N</p>  <p>Nail (M4x40mm) x2</p>	<p>O</p>  <p>U-shaped iron x1</p>	<p>P</p>  <p>pull ring x1</p>	<p>Q</p>  <p>two side caps x12</p>	<p>R</p>  <p>one side caps x24</p>
<p>S</p>  <p>bluetooth connect line x1</p>	<p>T</p>  <p>bluetooth power plug x1</p>	<p>U</p>  <p>LED receiver x1</p>	<p>V</p>  <p>LED power plug x1</p>	<p>W</p>  <p>LED remote control x1</p>
<p>⑮</p>  <p>Middle support leg x2</p>	<p>⑯</p>  <p>Middle support leg x1</p>	<p>⑰</p>  <p>Middle leg x1</p>		



**This product is not suitable for mattress recessed type.**

**(Dieses Produkt ist nicht für die eingebaute Platzierung von Matratzen geeignet.)**



**This product is suitable for placing mattresses on the top.**

**(Dieses Produkt eignet sich zum Platzieren von Matratzen auf der Oberseite.)**

## **IMPORTANT NOTICE**

### **OTTOMAN OPERATING INSTRUCTIONS**

Once your bed frame is completely assembled, the slat unit will not operate correctly unless a mattress is placed on the slat frame. Position the mattress on the slat frame whilst it is in the closed position.

**PLEASE NOTE** - It takes a lot of force to make the initial movement of the ottoman. This is a design feature of the product so that it does not fall shut - the nearer to being closed the ottoman is, the easier it is to move. When the ottoman is almost shut, it will close completely under its own weight.

When lowering the slat unit for the first time, take care to make sure it does not rub unevenly on the inside face of the side rails. If it does, the bed has been assembled slightly out of square. This can be rectified by moving the foot end of the bed slightly to the left or right whilst leaving the head end stationary.

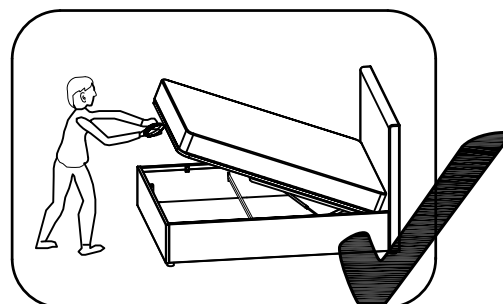
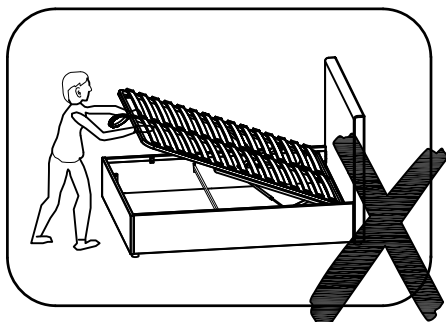
### **PISTONS**

The pistons used in the construction of this product are extremely strong and cannot be operated by hand when taken off the ottoman. All pistons are tested for correct pressure and operation before being attached to the slat unit.

Initially it might appear that the pistons are very stiff when opening and closing the ottoman.

### **THIS IS PERFECTLY NORMAL**

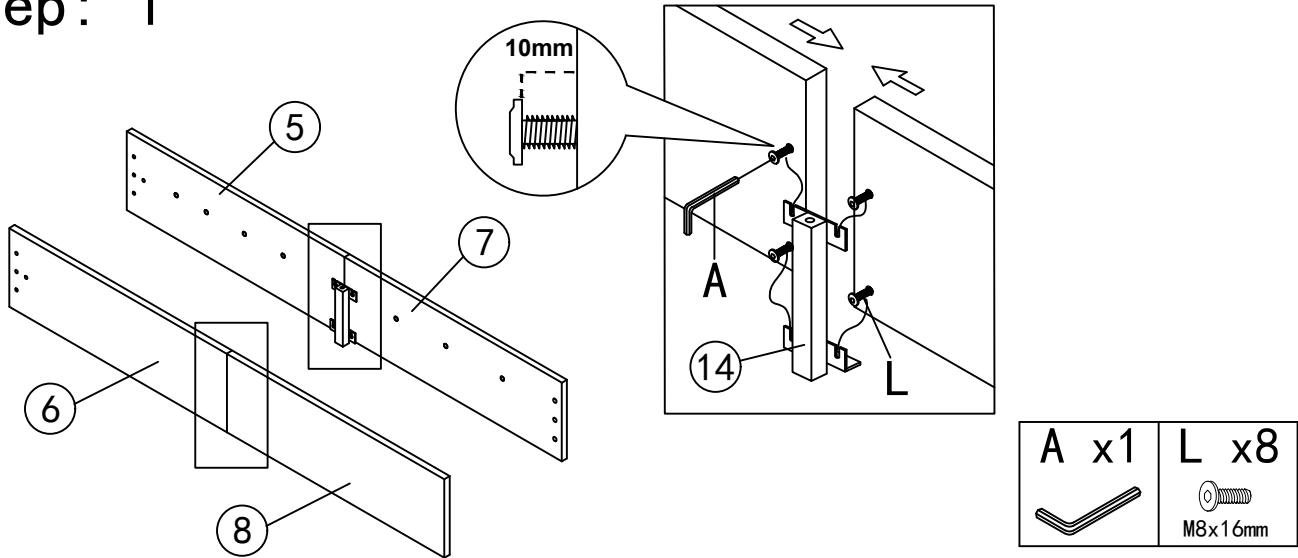
**When fully assembled and the mattress is in position, please raise and lower the ottoman 4/5 times to ensure the gas piston are fully lubricated.**



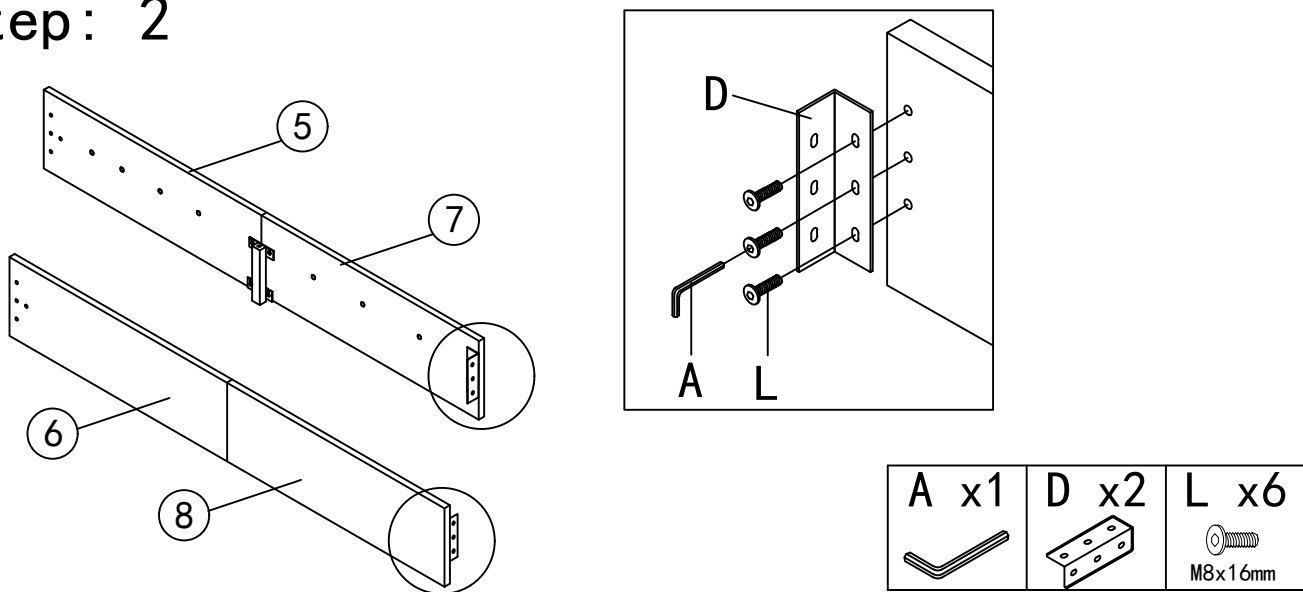
Caution: Do not tighten the screws until you have completed the entire installation.  
 If you have any difficulties during the installation, please feel free to contact us.

Achtung: Bevor Sie die gesamt Installation abgeschlossen haben, ziehen Sie die Schrauben nicht an.  
 Wenn Sie Schwierigkeiten während der Installtion haben, können Sie sich gerne an uns wenden.

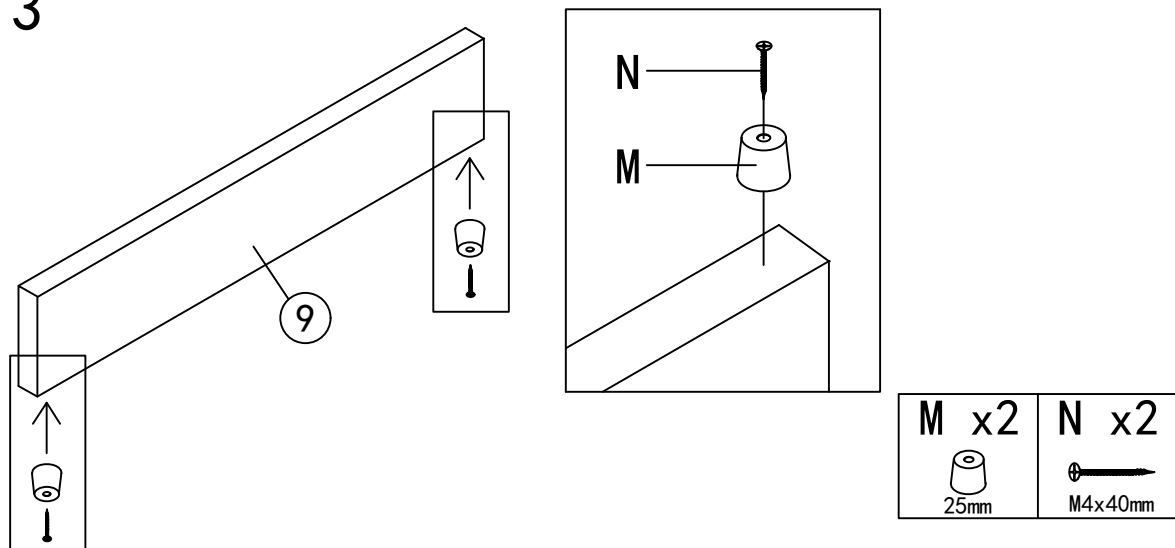
## Step: 1



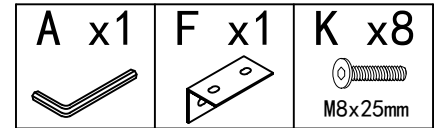
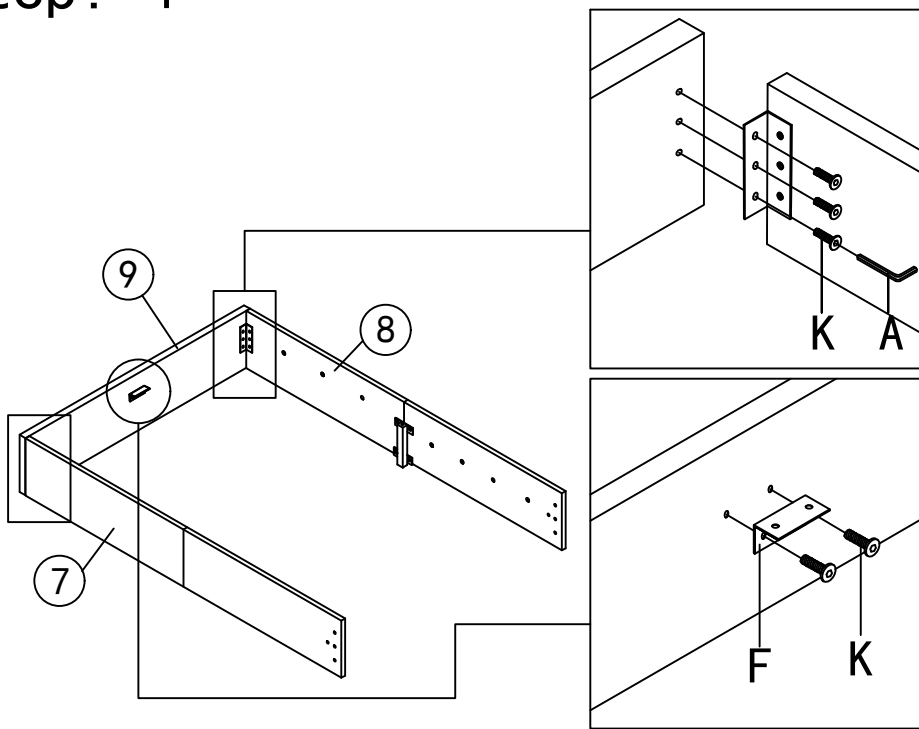
## Step: 2



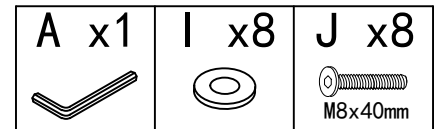
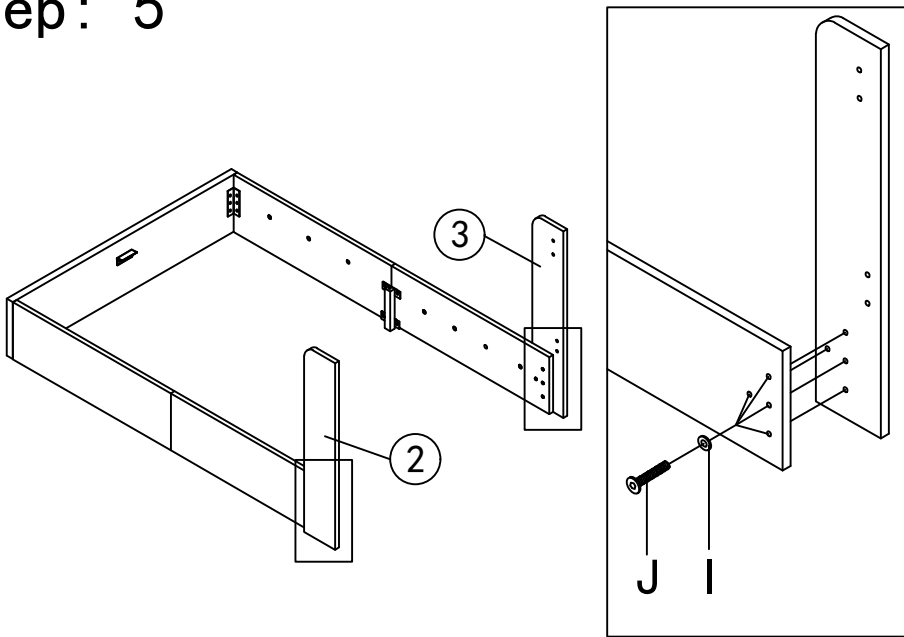
## Step: 3



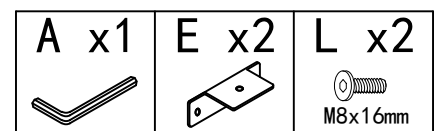
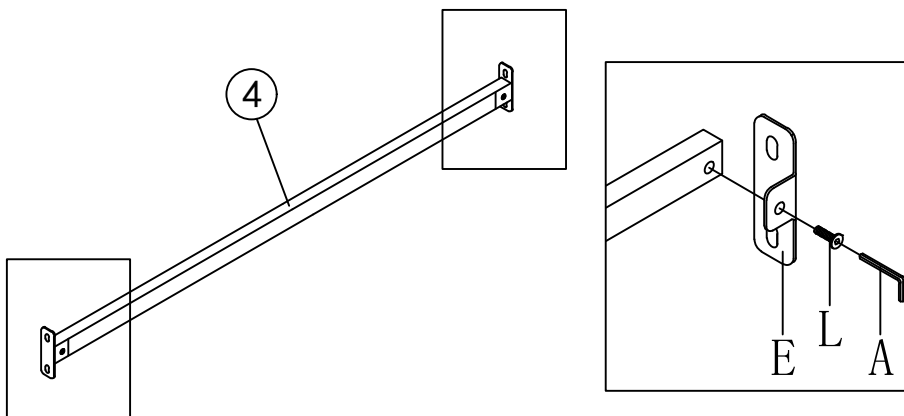
# Step: 4



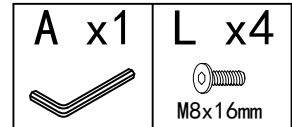
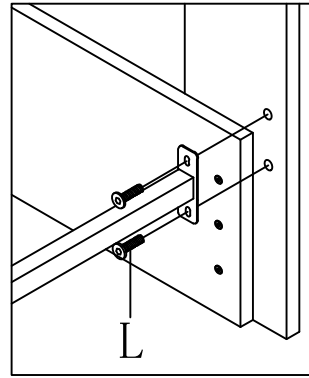
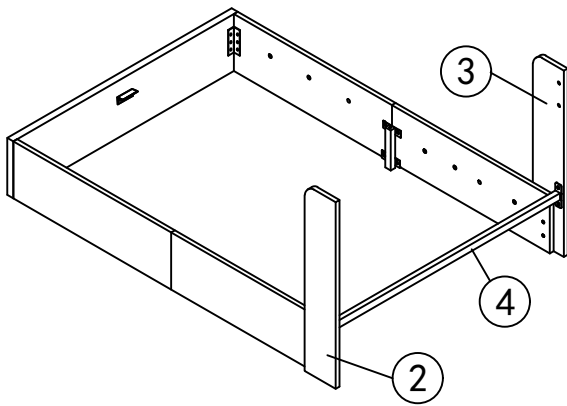
# Step: 5



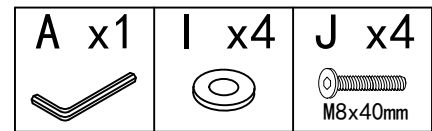
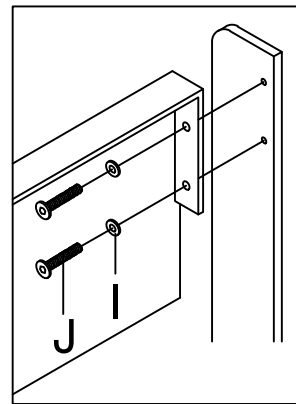
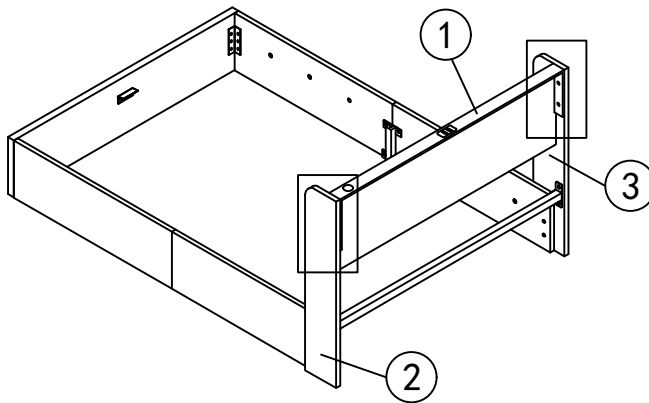
# Step: 6



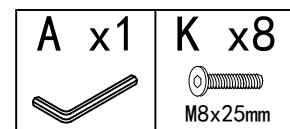
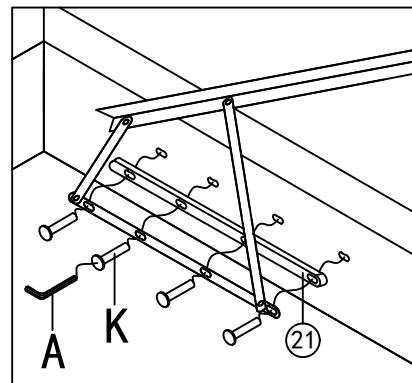
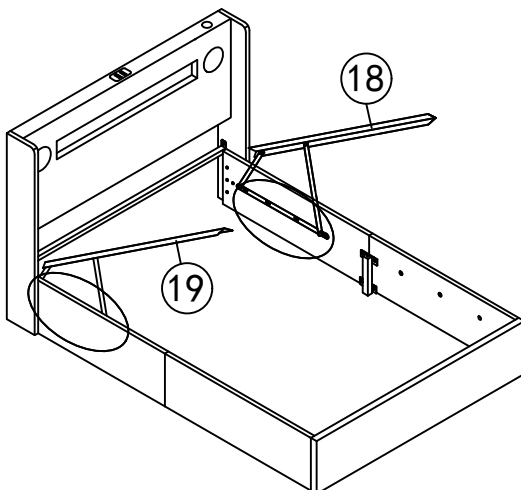
# Step: 7



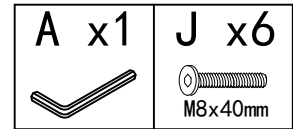
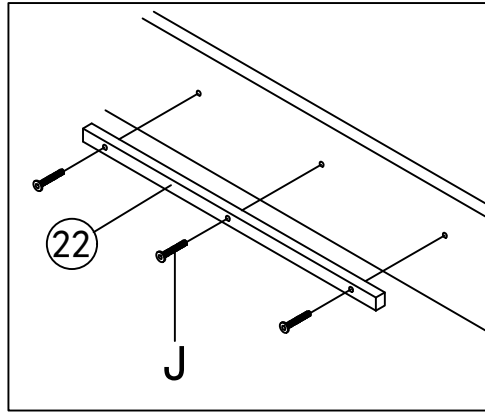
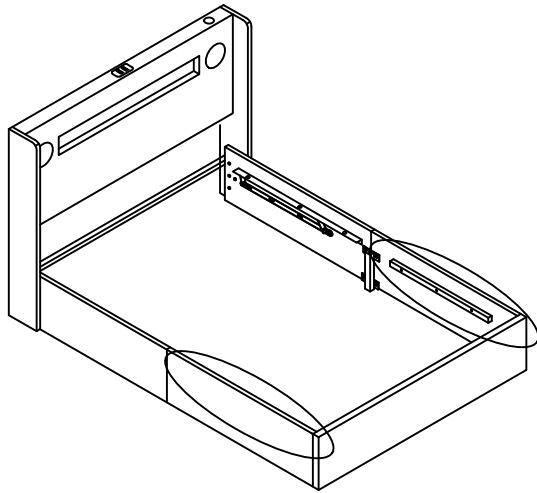
# Step: 8



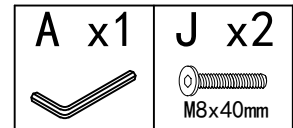
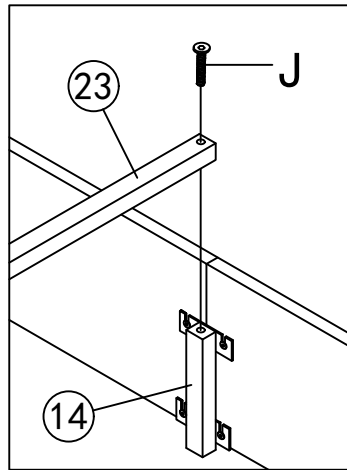
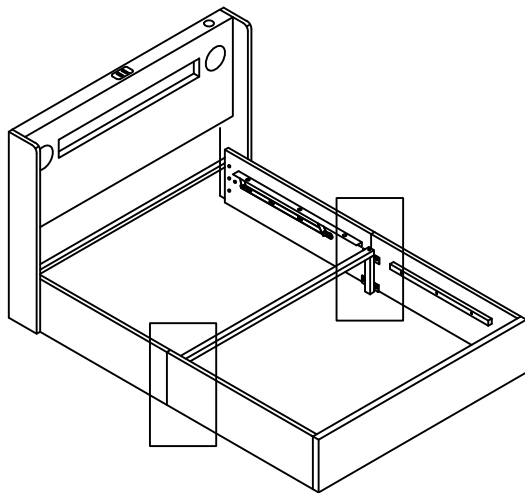
# Step: 9



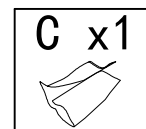
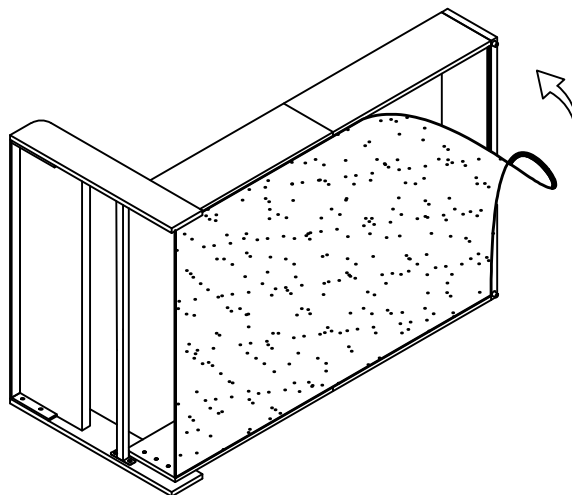
# Step: 10



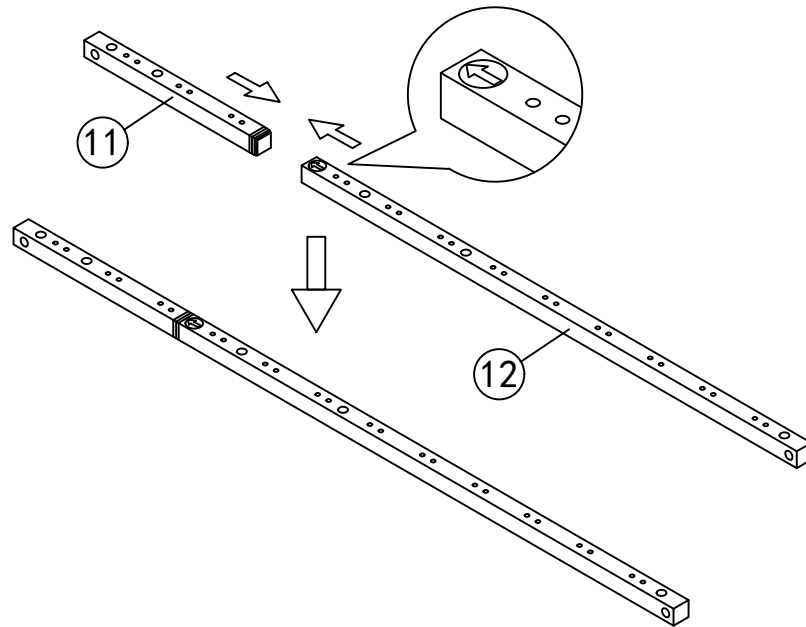
# Step: 11



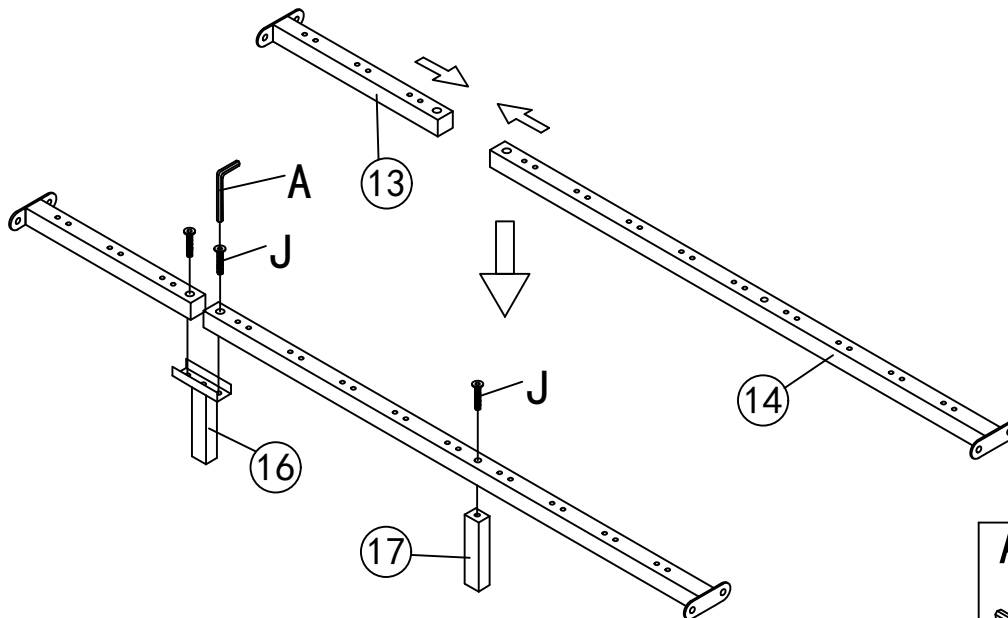
# Step: 12





# Step: 13

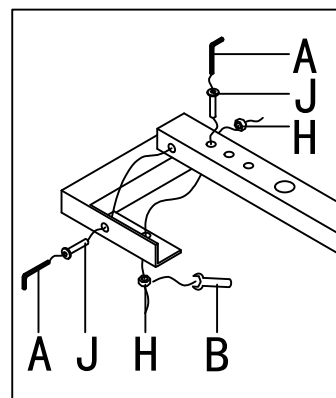
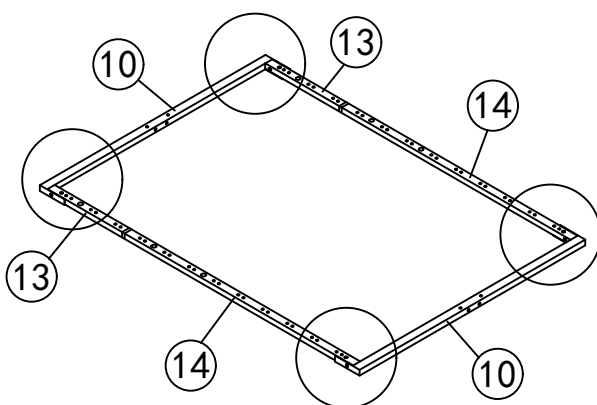






# Step: 14



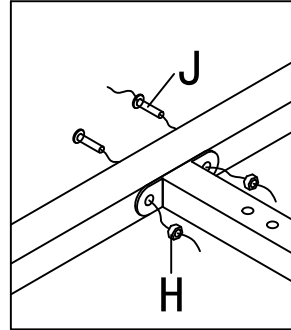
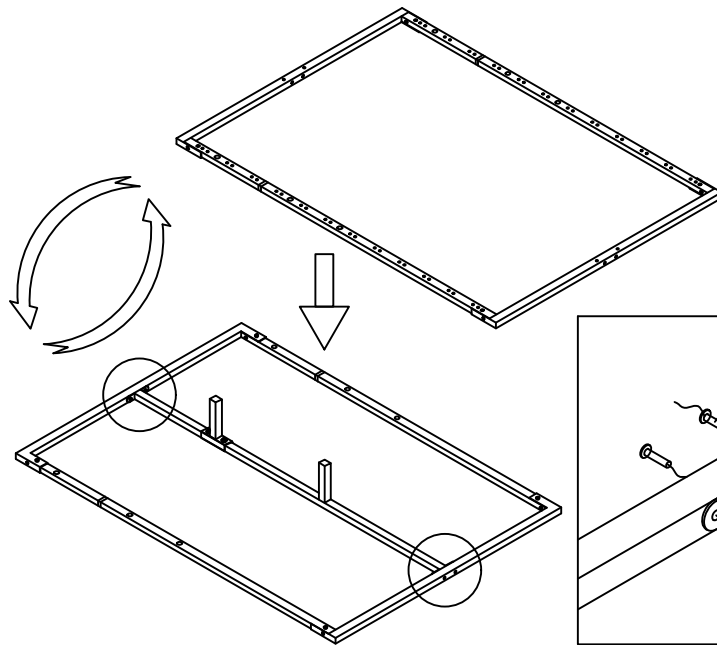
A x1	J x3
	 M8x40mm

# Step: 15



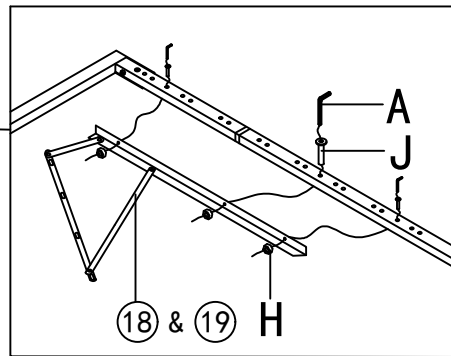
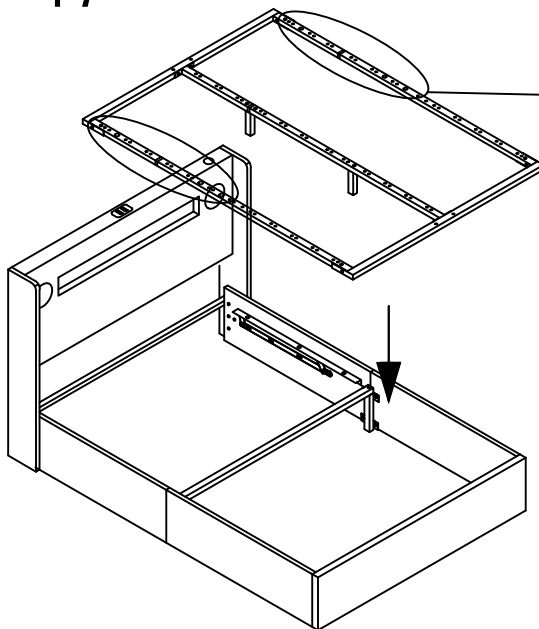
A x1	B x1
	
J x8	H x8
 M8x40mm	

# Step: 16



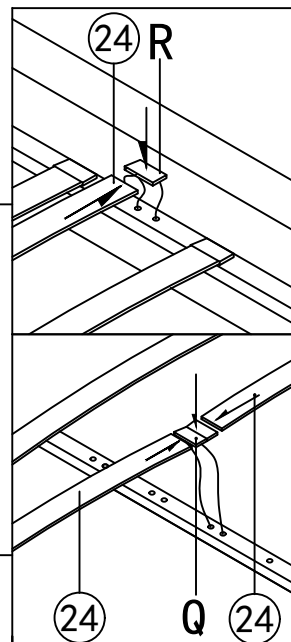
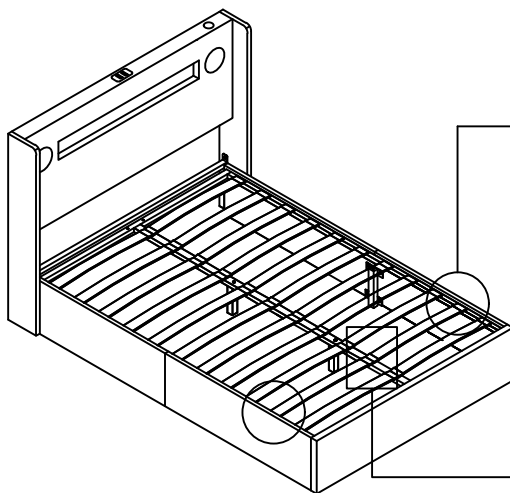
A x1 	B x1 
J x4  M8x40mm	H x4 

# Step: 17



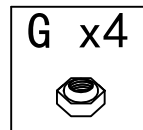
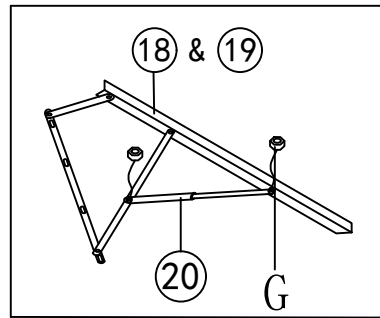
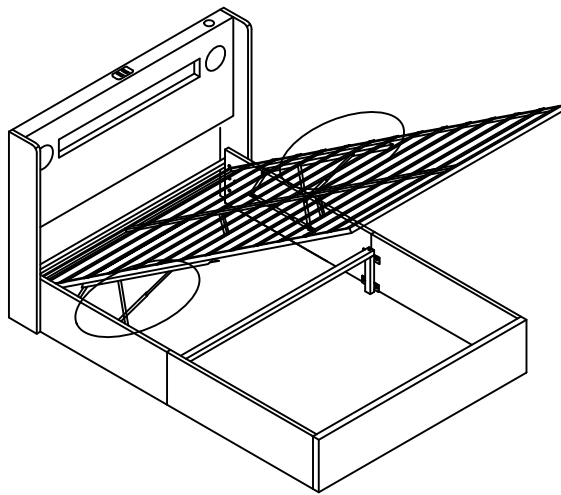
A x1 	B x1 
J x6  M8x40mm	H x6 

# Step: 18

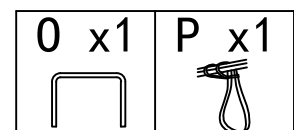
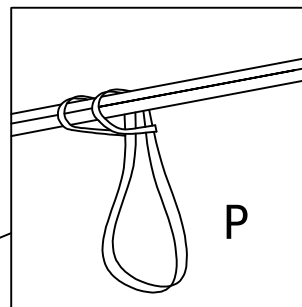
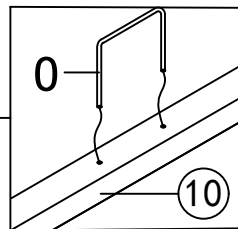
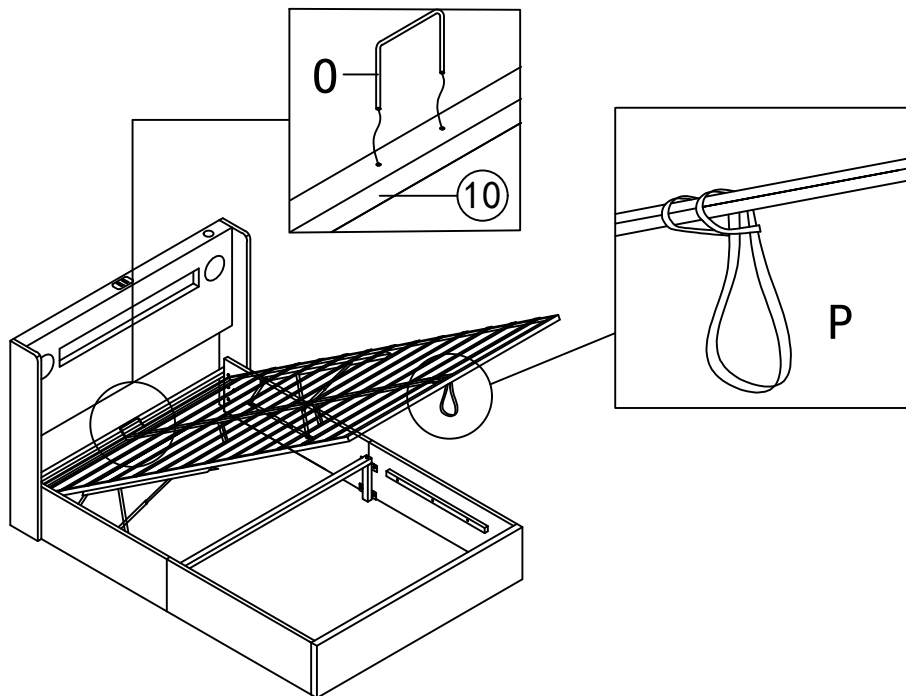


Q x12 	R x24 
-----------	-----------

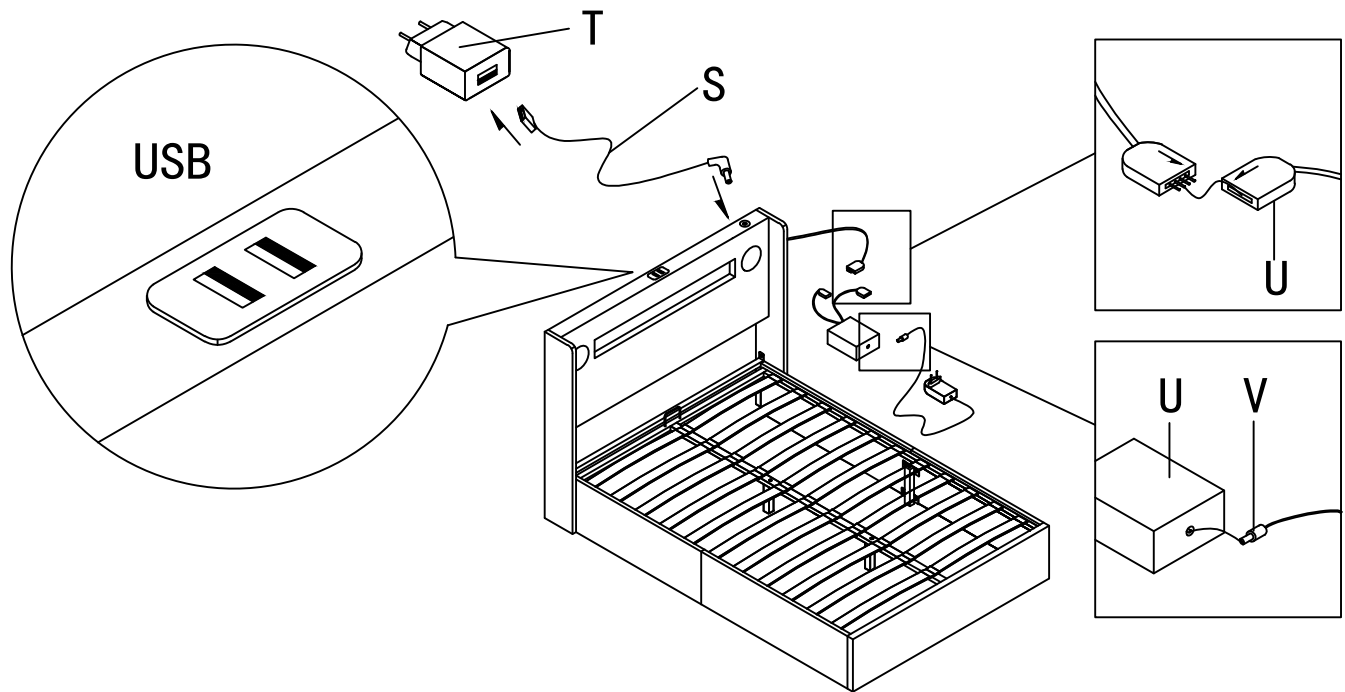
# Step: 19





# Step: 20



# Step: 21



	S x1	T x1
		
U x1	V x1	W x1
