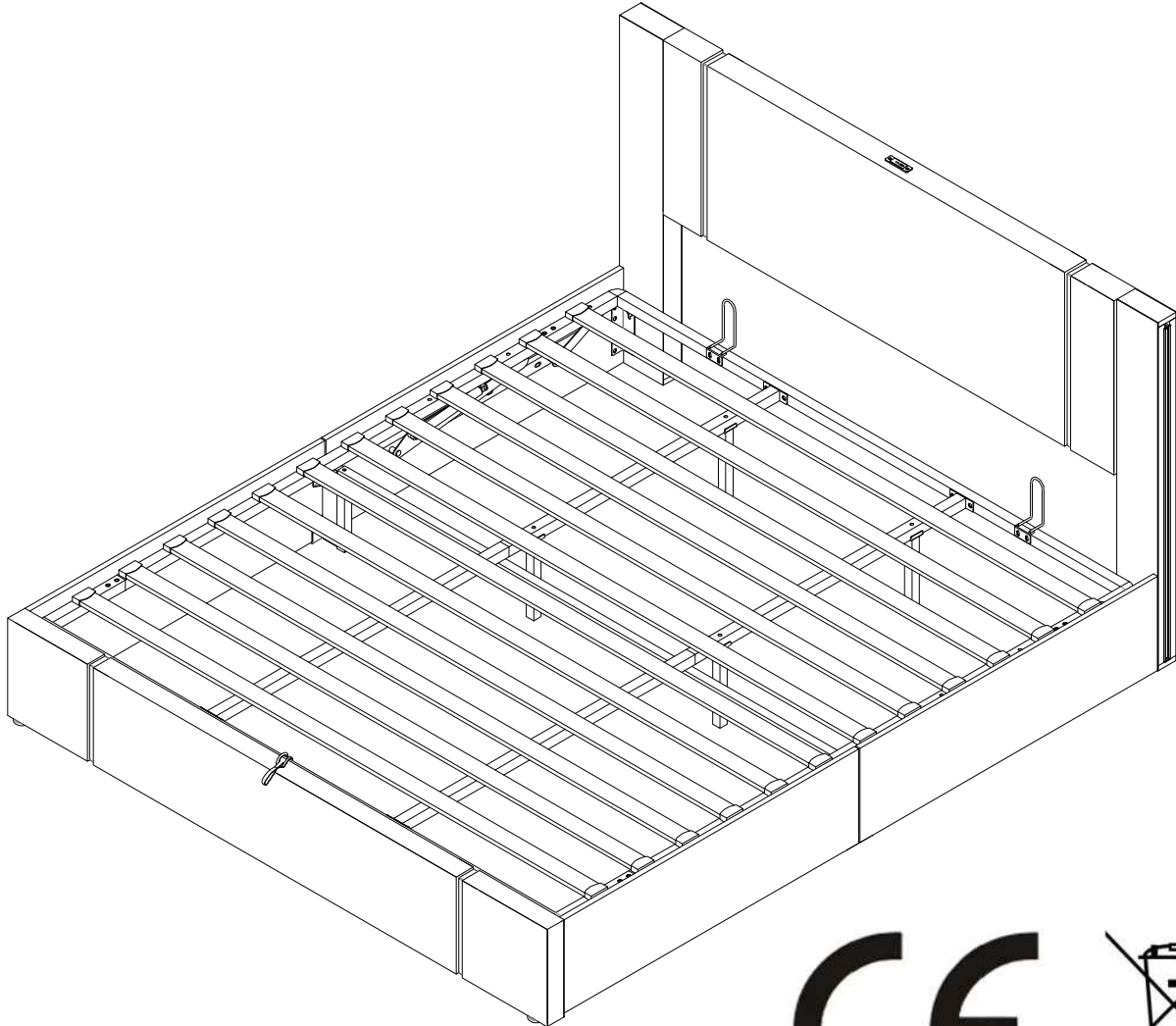


Montageanleitung | Instructions de montage

Assembly Instructions | Instrucciones de montaje

SKU NUMBER: **WF531591**

WF531592



GB This set comes in 2 boxes. If you do not receive a full set of 2 boxes, please contact our customer service.

DE Dieses Set wird in 2 Schachteln geliefert. Wenn Sie nicht ein komplettes Set von 2 Boxen erhalten, kontaktieren Sie bitte unseren Kundenservice.

FR Ce set est livré en 2 boîtes. Si vous ne recevez pas un jeu complet de 2 boîtes, veuillez contacter notre service clientèle.

English

IMPORTANT FOR GAS LIFT BEDS&MAINTAINCE

- Please place the mattress on top of the bed frame.
- Please do not pull on the strap handles.
- Please press heavily to release the compressed gas.
- Periodically check all screw & fixings to ensure they are secure.
- When moving your product, carefully lift into place.
- Wipe clean with a slightly damp cloth- please do not use abrasive chemicals or bleach.
- Do NOT allow children to operate the lift mechanism.
- Do NOT allow children near the lift base when operating the mechanism.
- Do NOT stand inside the bed or the internal storage base.
- Do NOT overload the internal storage base.
- DO NOT jump on the product or any of its parts.

Deutsch

WICHTIG FÜR GASLIFT-BETTEN&WARTUNG

- Bitte legen Sie die Matratze oben auf den Bettrahmen.
- Bitte ziehen Sie nicht an den Gurtgriffen.
- Bitte drücken Sie kräftig, um das komprimierte Gas freizusetzen.
- Überprüfen Sie regelmäßig alle Schrauben und Befestigungen, um sicherzustellen, dass sie sicher sind.
- Wenn Sie Ihr Produkt bewegen, heben Sie es vorsichtig an seinen Platz.
- Mit einem leicht feuchten Tuch abwischen - bitte keine scheuernden Chemikalien oder Bleichmittel verwenden.
- Erlauben Sie Kindern NICHT, den Hebemechanismus zu bedienen.
- Lassen Sie Kinder NICHT in die Nähe des Liftsockels, wenn Sie den Mechanismus bedienen.
- Stellen Sie sich NICHT in das Bett oder in die Innenablage.
- Überlasten Sie den internen Liftsockel NICHT.
- Springen Sie NICHT auf das Produkt oder eines seiner Teile.

Français

IMPORTANT POUR LES LITS À RELEVAGE DE GAZ&MAINTENANCE

- Veuillez placer le matelas sur le dessus du cadre de lit.
- Ne tirez pas sur les poignées de la sangle.
- Appuyez fortement pour libérer le gaz comprimé.
- Vérifiez régulièrement que toutes les vis et fixations sont bien en place.
- Lorsque vous déplacez votre produit, soulevez-le avec précaution pour le mettre en place.
- Nettoyez avec un chiffon légèrement humide - n'utilisez pas de produits chimiques abrasifs ou d'eau de Javel.
- Ne laissez pas les enfants utiliser le mécanisme de levage.
- Ne laissez pas les enfants s'approcher de la base de levage lorsqu'ils actionnent le mécanisme.
- Ne vous tenez PAS à l'intérieur du lit ou de la base de stockage interne.
- Ne surchargez pas la base de stockage interne.
- Ne pas sauter sur le produit ou l'une de ses parties.

Italiano

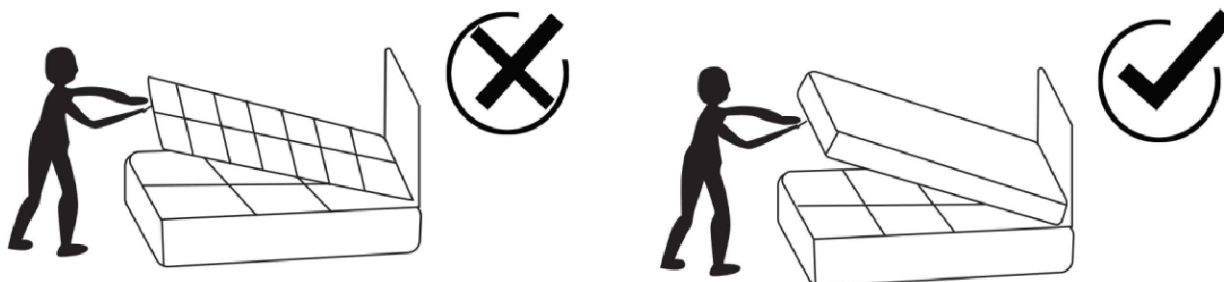
IMPORTANTE PER I LETTI CON SOLLEVAMENTO A GAS E LA MANUTENZIONE

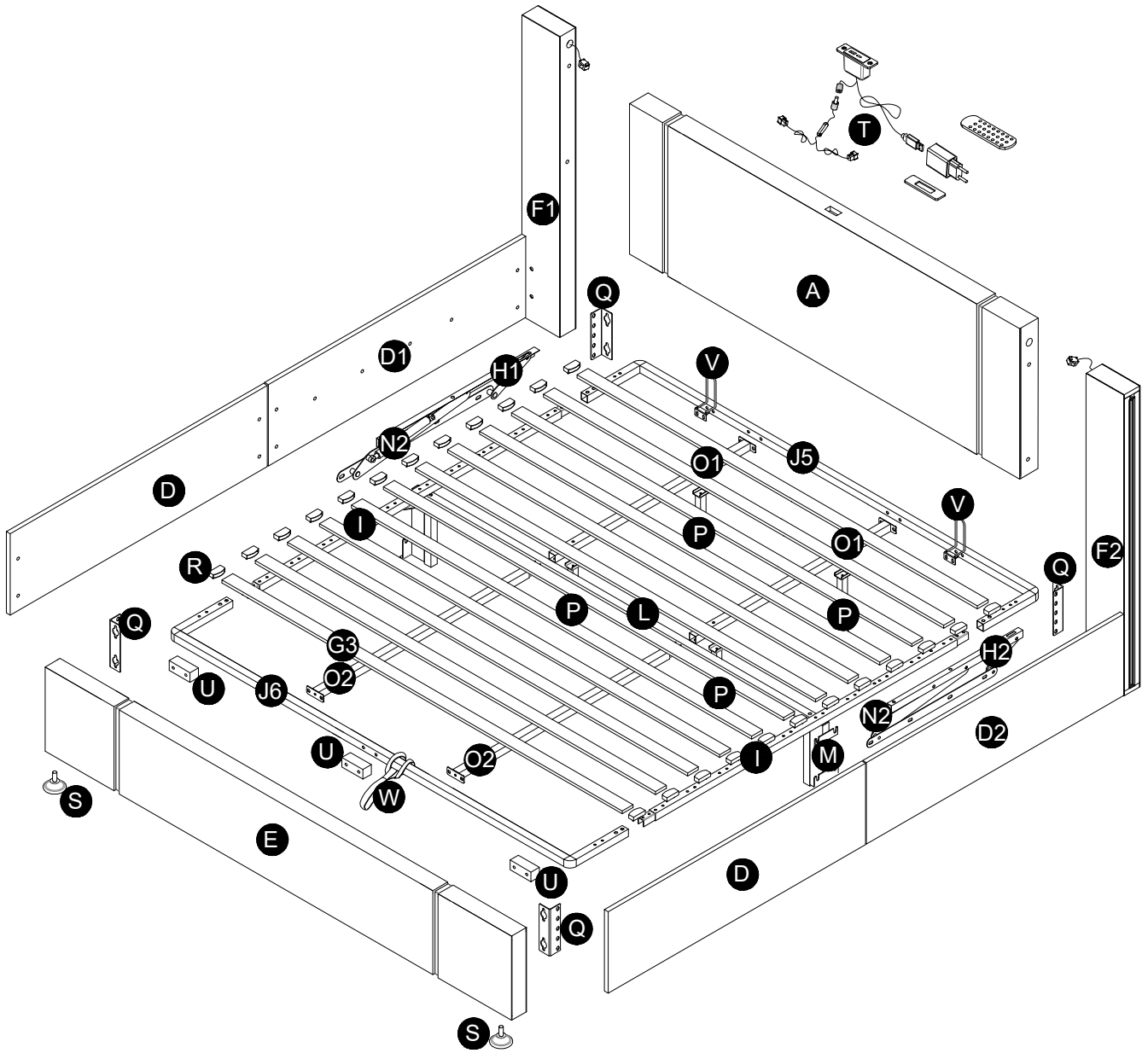
- Posizionare il materasso sopra la struttura del letto.
- Non tirare le maniglie della cinghia.
- Premere con forza per rilasciare il gas compresso.
- Controllare periodicamente tutte le viti e i fissaggi per assicurarsi che siano saldi.
- Quando si sposta il prodotto, sollevarlo con cautela.
- Pulire con un panno leggermente umido, senza usare prodotti chimici abrasivi o candeggina.
- NON permettere ai bambini di azionare il meccanismo di sollevamento.
- NON permettere ai bambini di avvicinarsi alla base di sollevamento quando si aziona il meccanismo.
- NON sostare all'interno del letto o della base di contenimento interna.
- NON sovraccaricare la base di contenimento interna.
- NON saltare sul prodotto o sulle sue parti.

Español

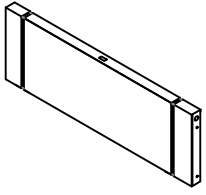
IMPORTANTE PARA LAS CAMAS ELEVADORAS DE GAS&MANTENIMIENTO

- Coloque el colchón sobre el somier.
- No tire de las asas de la correa.
- Presione con fuerza para liberar el gas comprimido.
- Compruebe periódicamente que todos los tornillos y fijaciones estén bien sujetos.
- Al mover el producto, levántelo con cuidado para colocarlo en su sitio.
- Limpie con un paño ligeramente humedecido; no utilice productos químicos abrasivos ni lejía.
- NO permita que los niños accionen el mecanismo de elevación.
- NO permita que los niños se acerquen a la base elevadora cuando accionen el mecanismo.
- NO se ponga de pie dentro de la cama o de la base de almacenamiento interna.
- NO sobrecargue el somier.
- NO salte sobre el producto ni sobre ninguna de sus piezas.

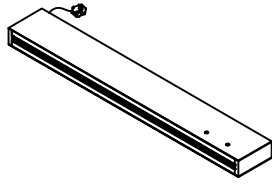




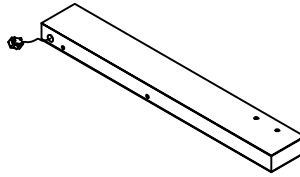
WF531591



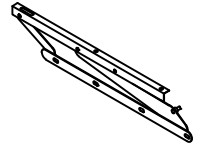
A*1PC



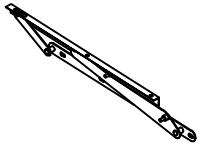
F1*1PC



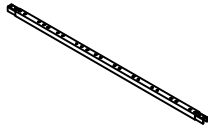
F2*1PC



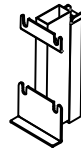
H1*1PC



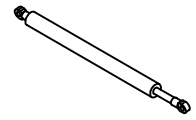
H2*1PC



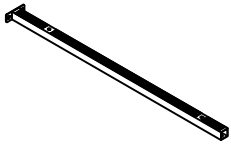
I*2PCS



M*2PCS



N2*2PCS



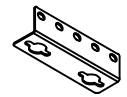
O1*2PCS



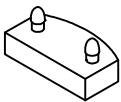
O2*2PCS



P*4PCS



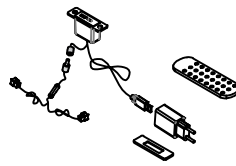
Q*4PCS



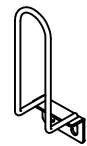
R*24PCS



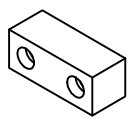
S*2PCS



T*1PC



V*2PCS

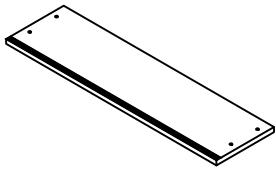


U*3PCS

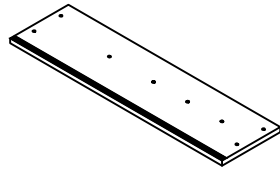


W*1PC

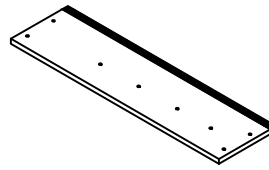
WF531592



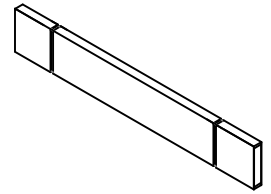
D*2PCS



D1*1PC



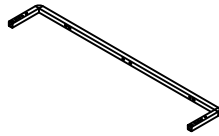
D2*1PC



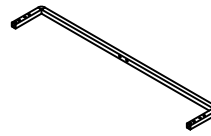
E*1PC



G3*12PCS



J5*1PC

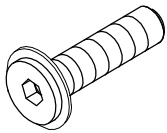


J6*1PC

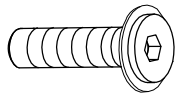


L*1PC

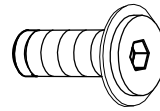
Hardware List-Hardwareliste WF531591



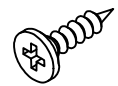
M8*45mm
X1*18PCS



M8*30mm
X2*24PCS



M8*16mm
X3*36PCS



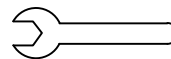
M3*16MM
X4*2PCS



M8
Y*10PCS



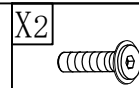
M8 Spanner
Z1*1PC



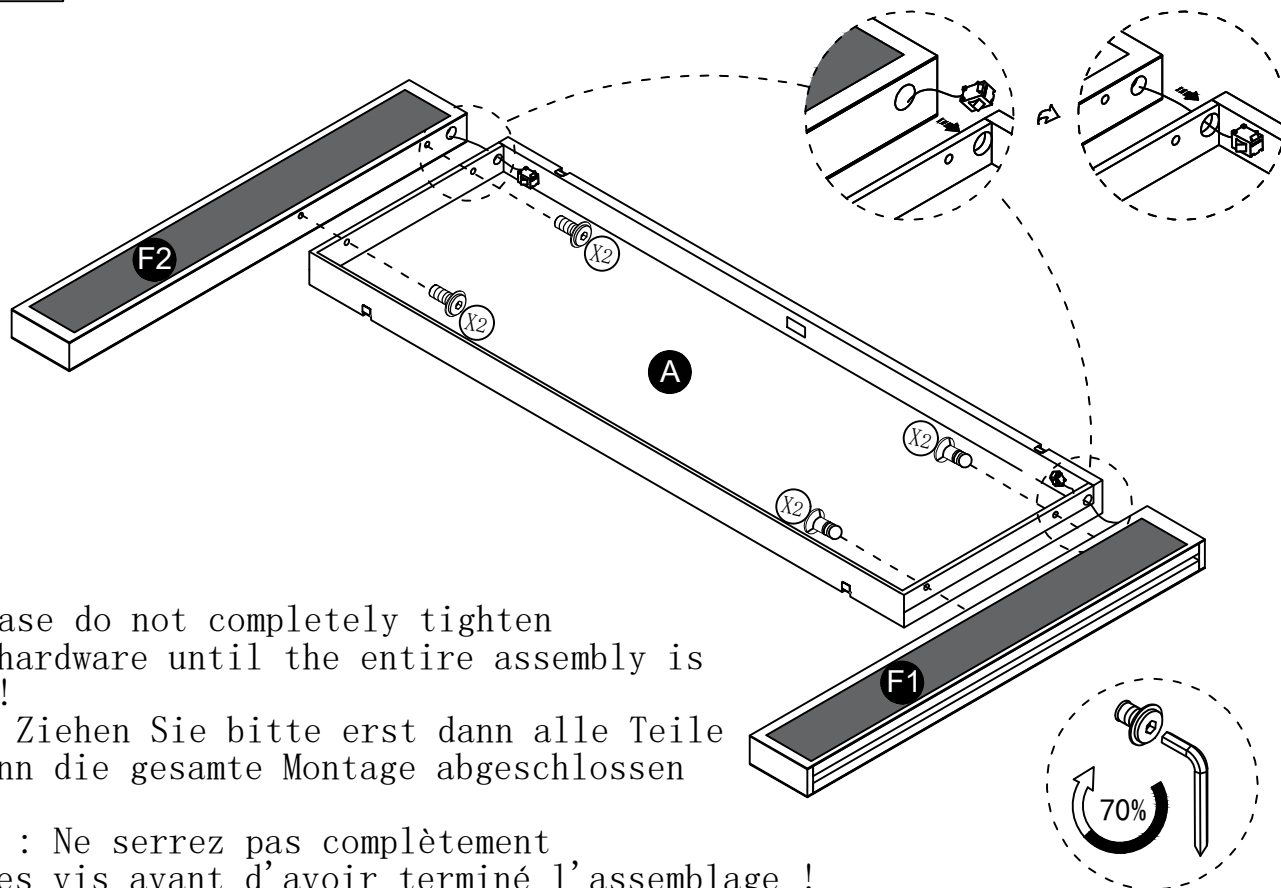
M8 Spanner
Z2*1PC

Step1

Schritt1

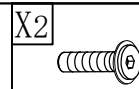


4PCS

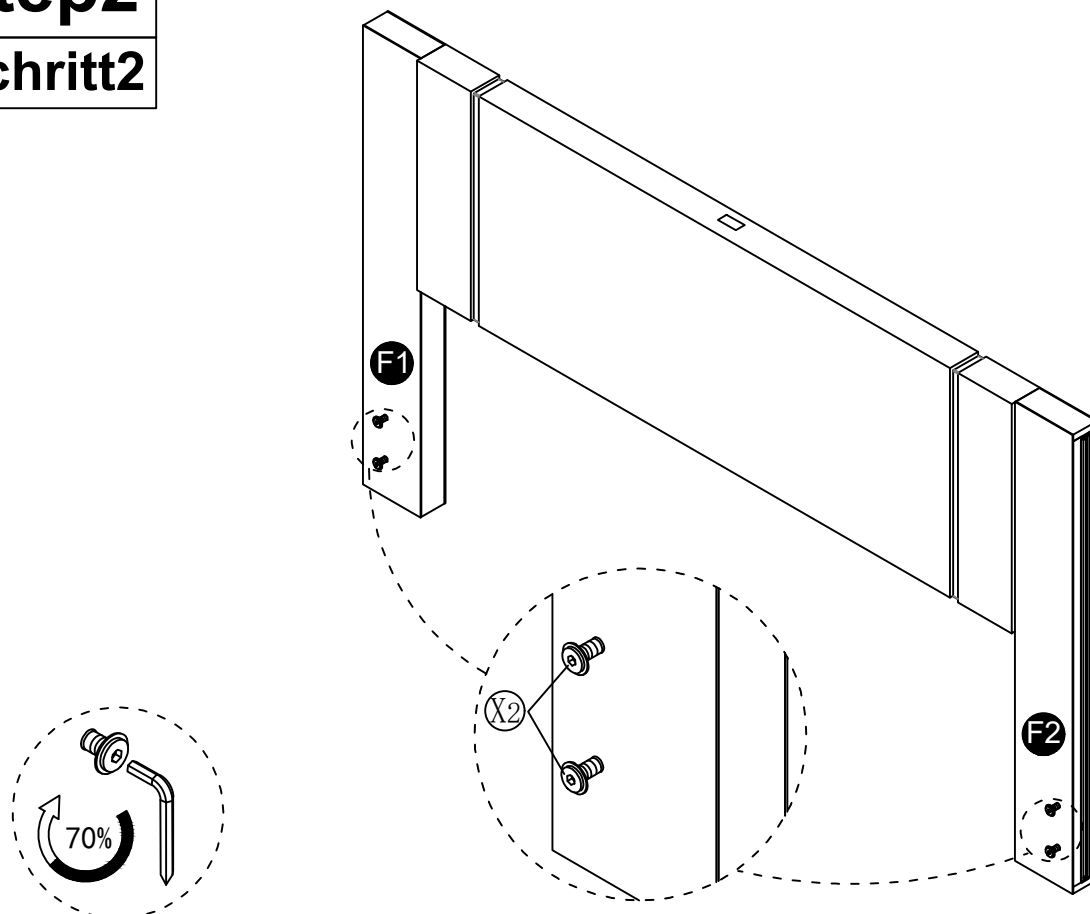


Step2

Schritt2

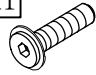
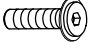


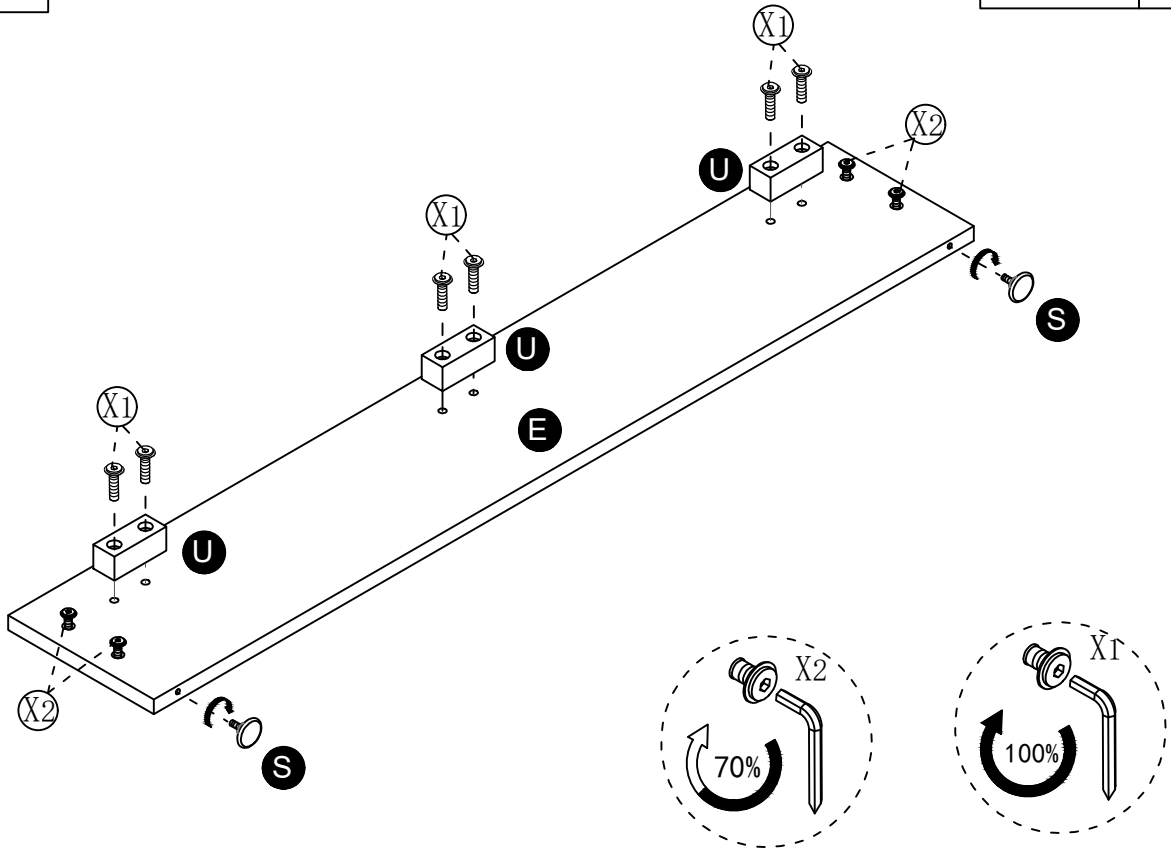
4PCS



Step3

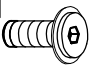
Schritt3

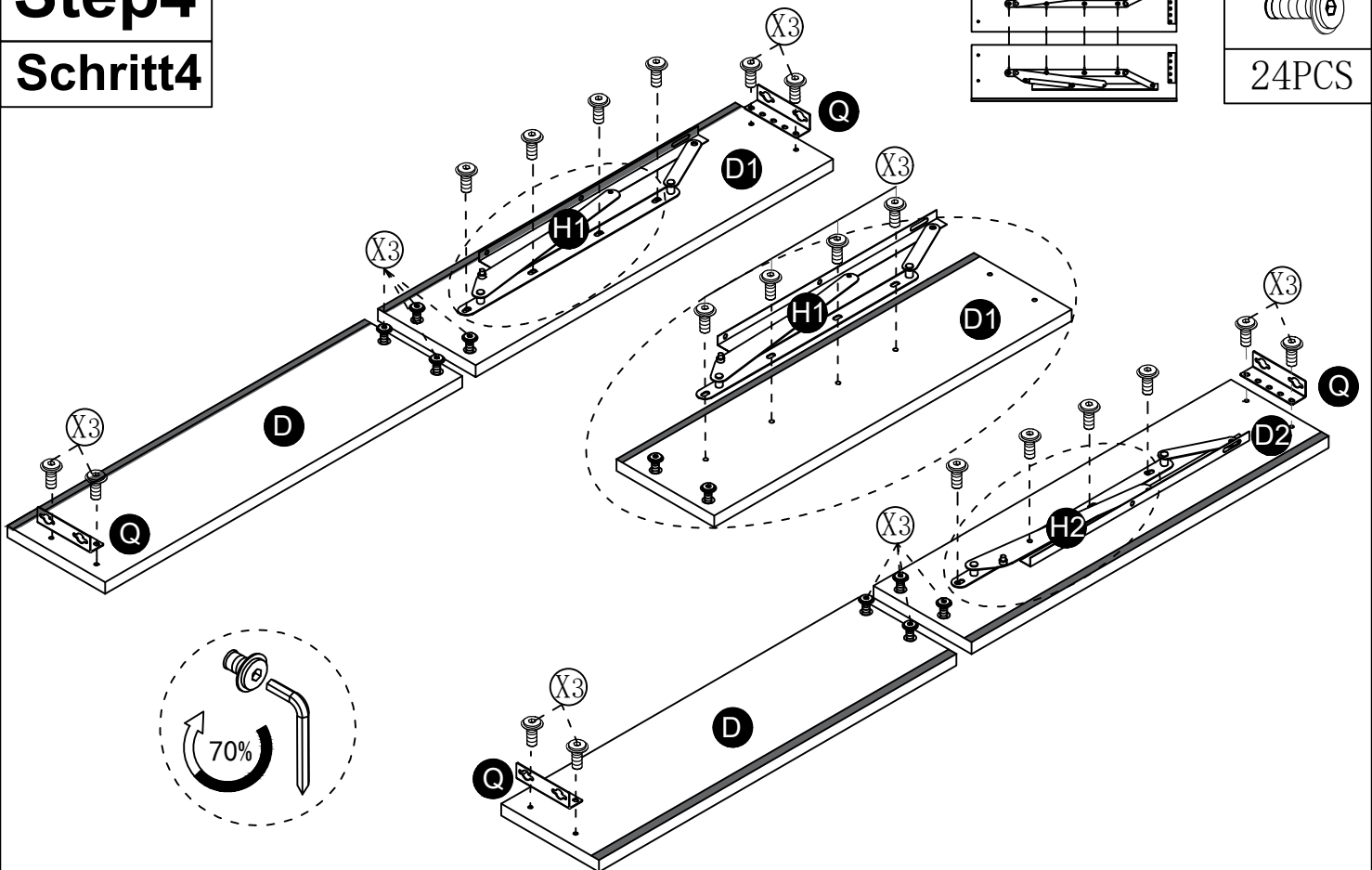
X1		X2	
6PCS		4PCS	



Step4

Schritt4

X3	
24PCS	



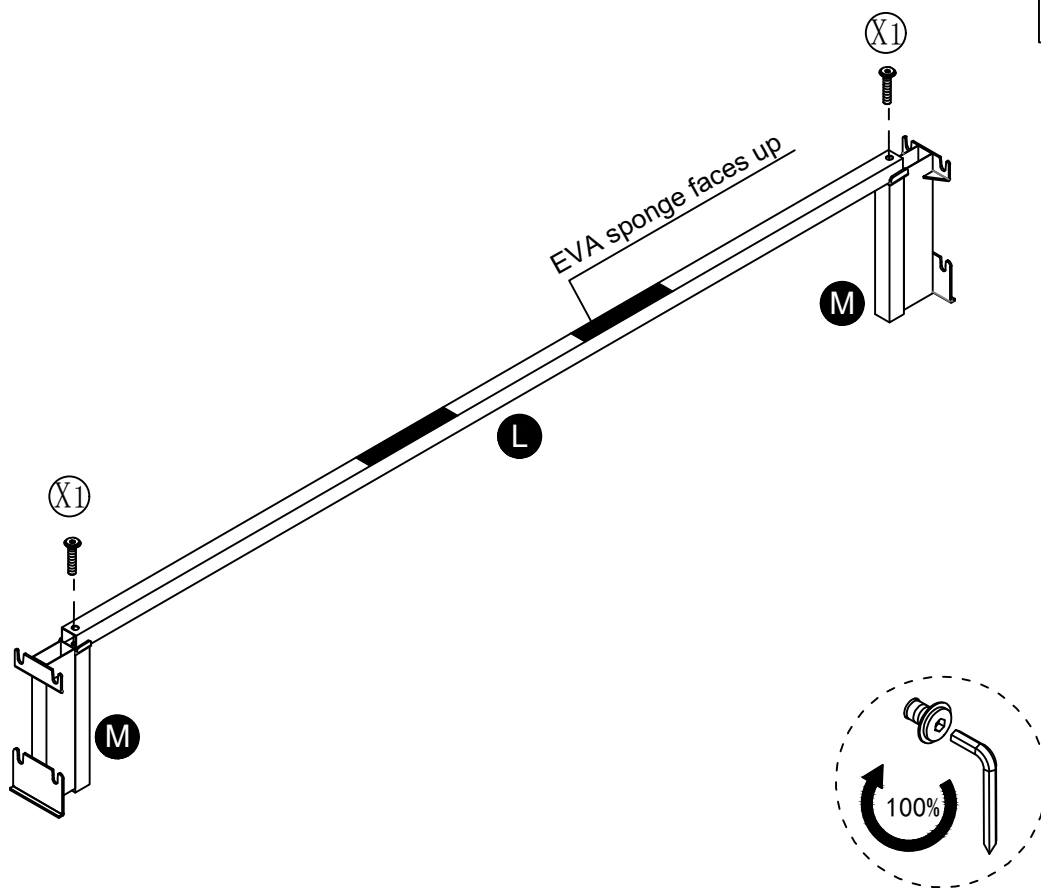
Step5

Schritt5

X1

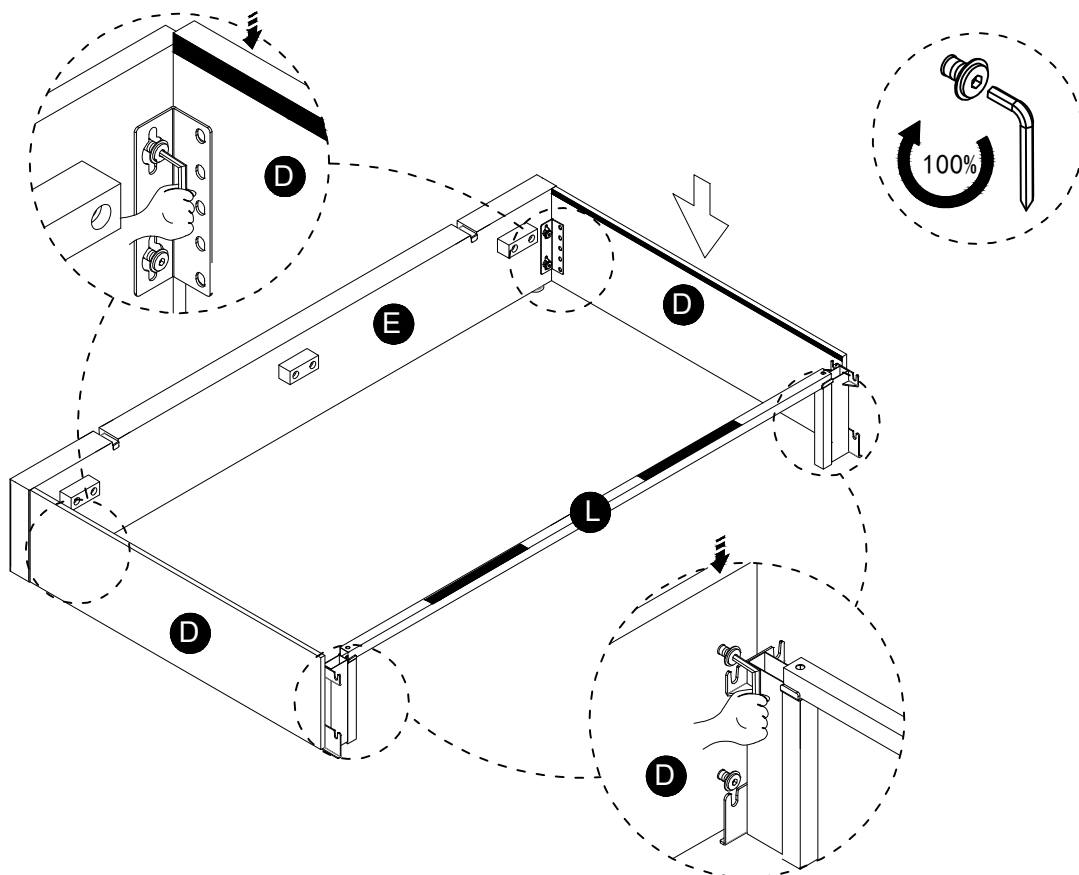


2PCS



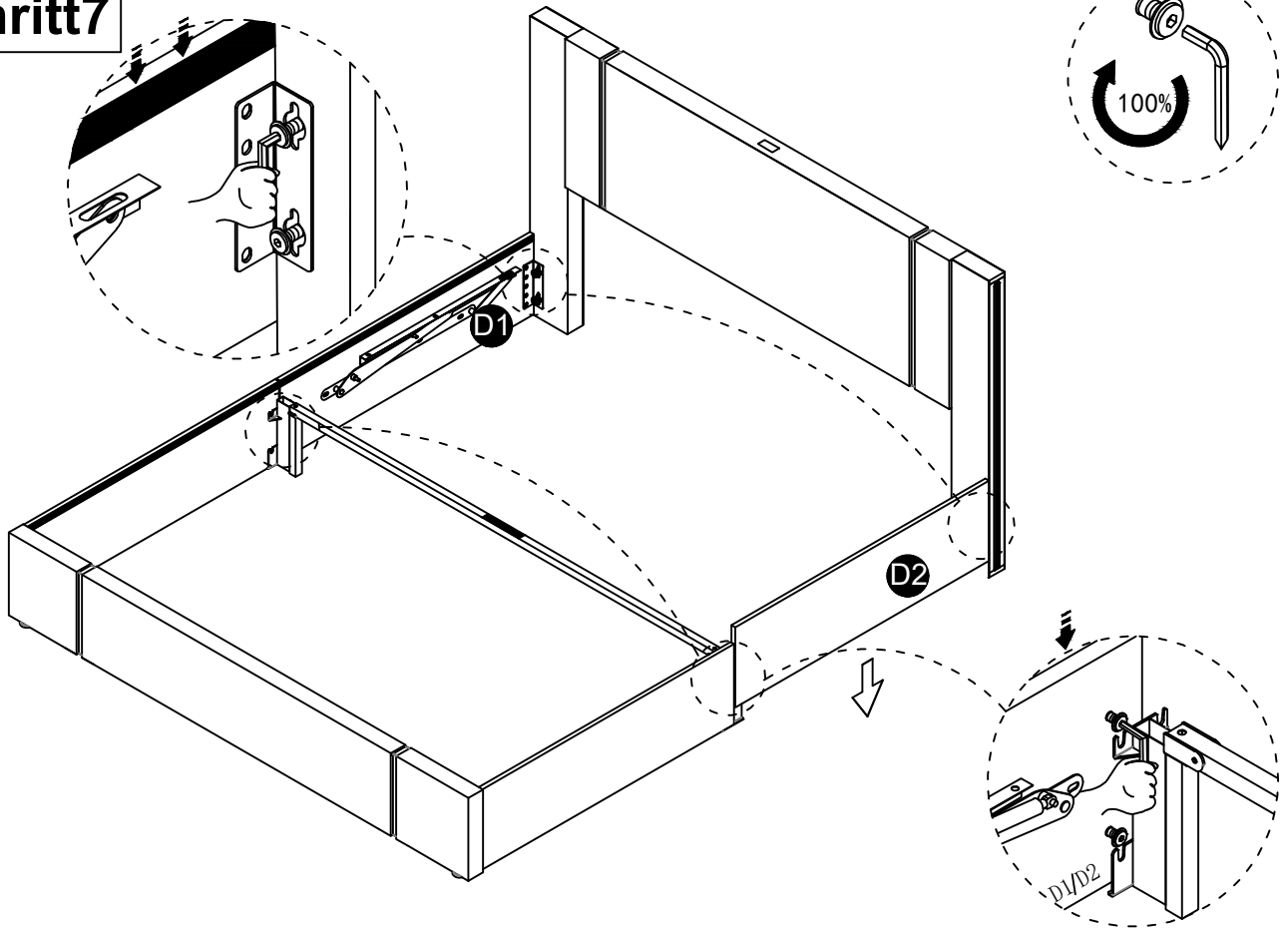
Step6

Schritt6



Step7

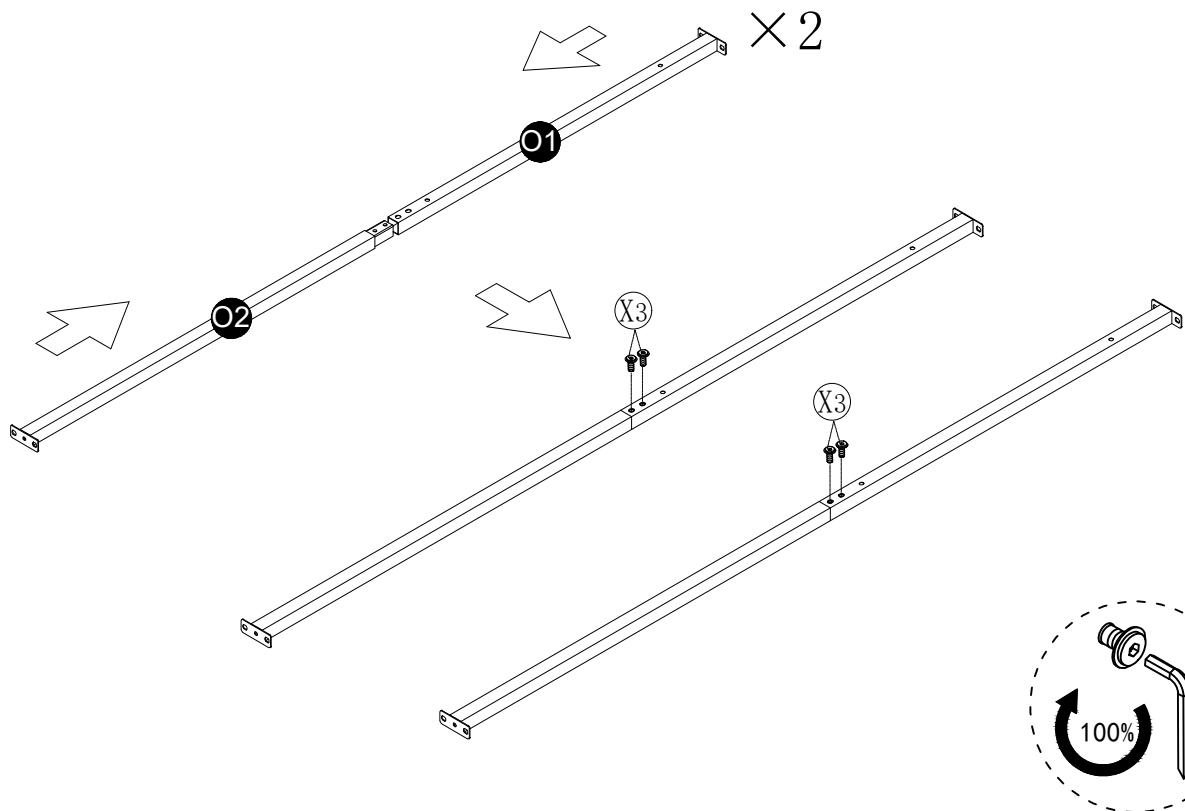
Schritt7



Step8

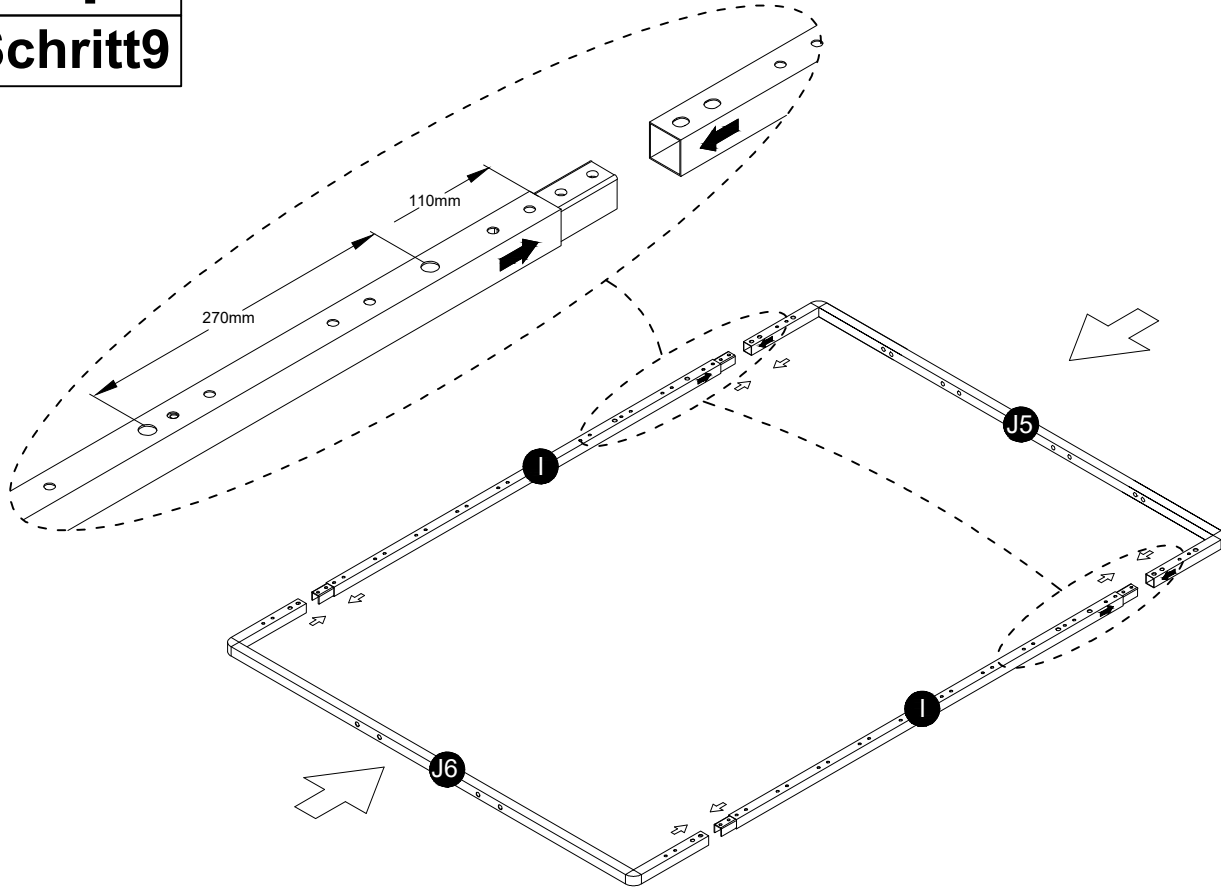
Schritt8

X3
4PCS



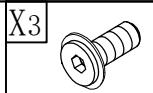
Step9

Schritt9

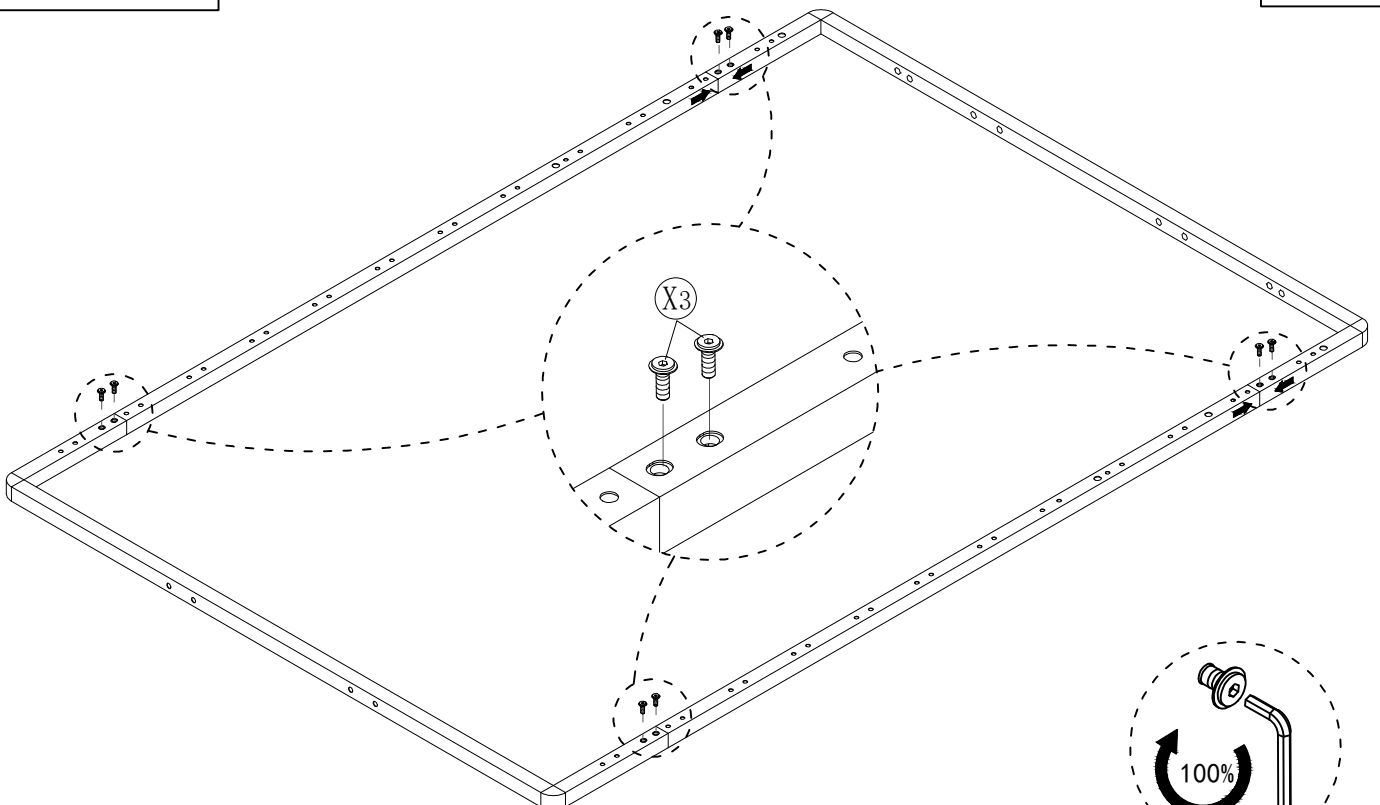


Step10

Schritt10



8PCS



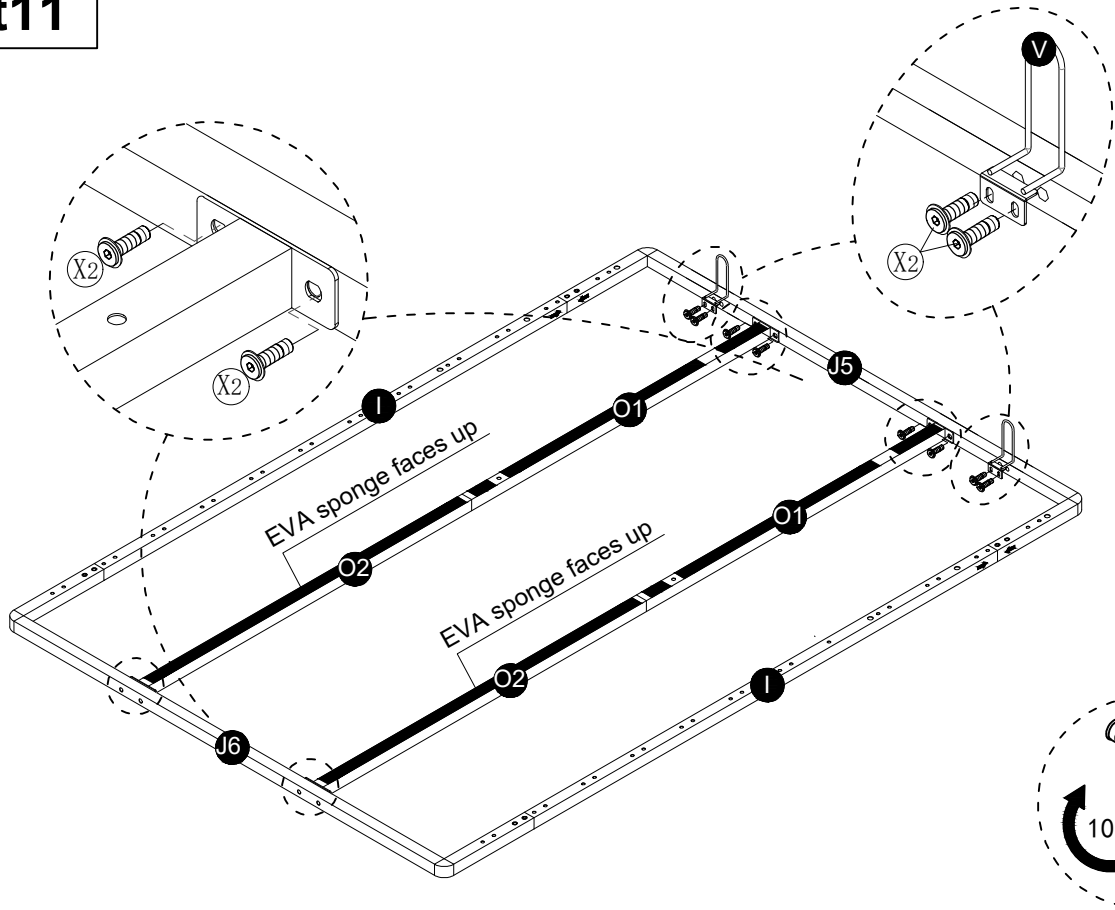
Step11

Schritt11

X2

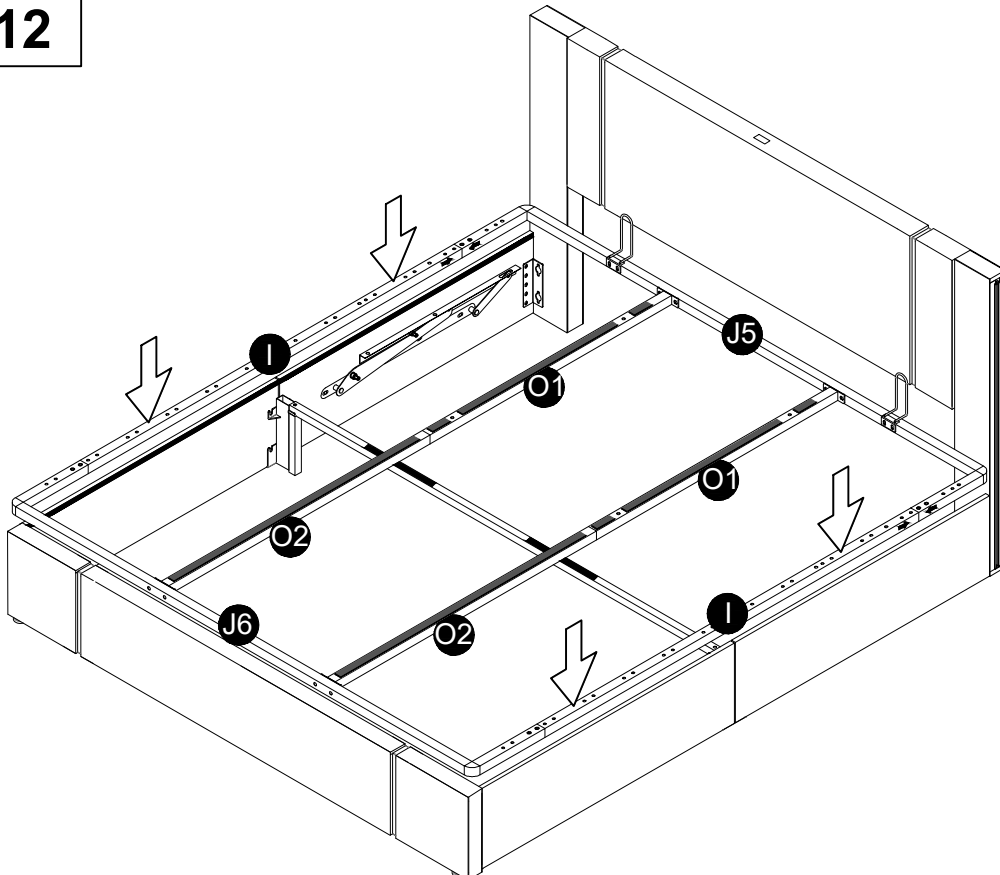


12PCS



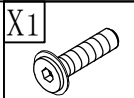
Step12

Schritt12

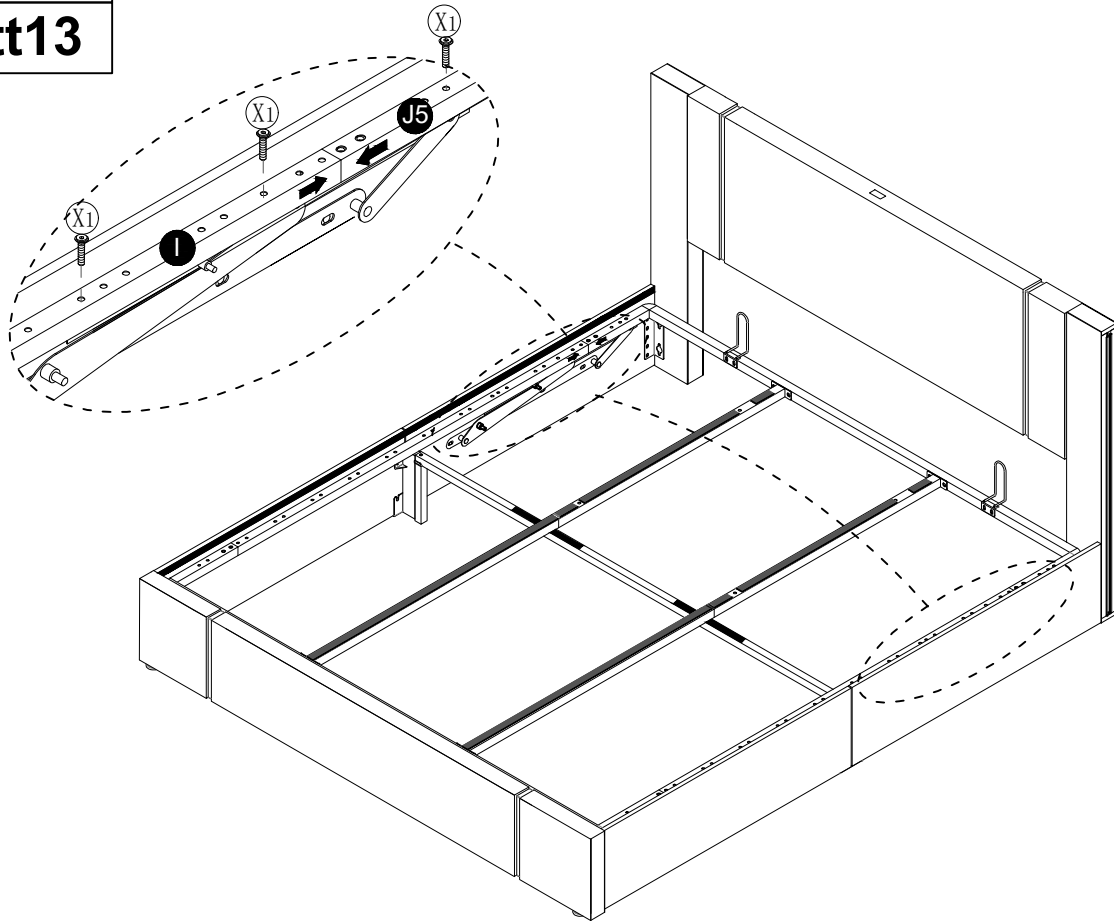


Step13

Schritt13

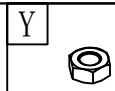


6PCS

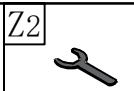


Step14

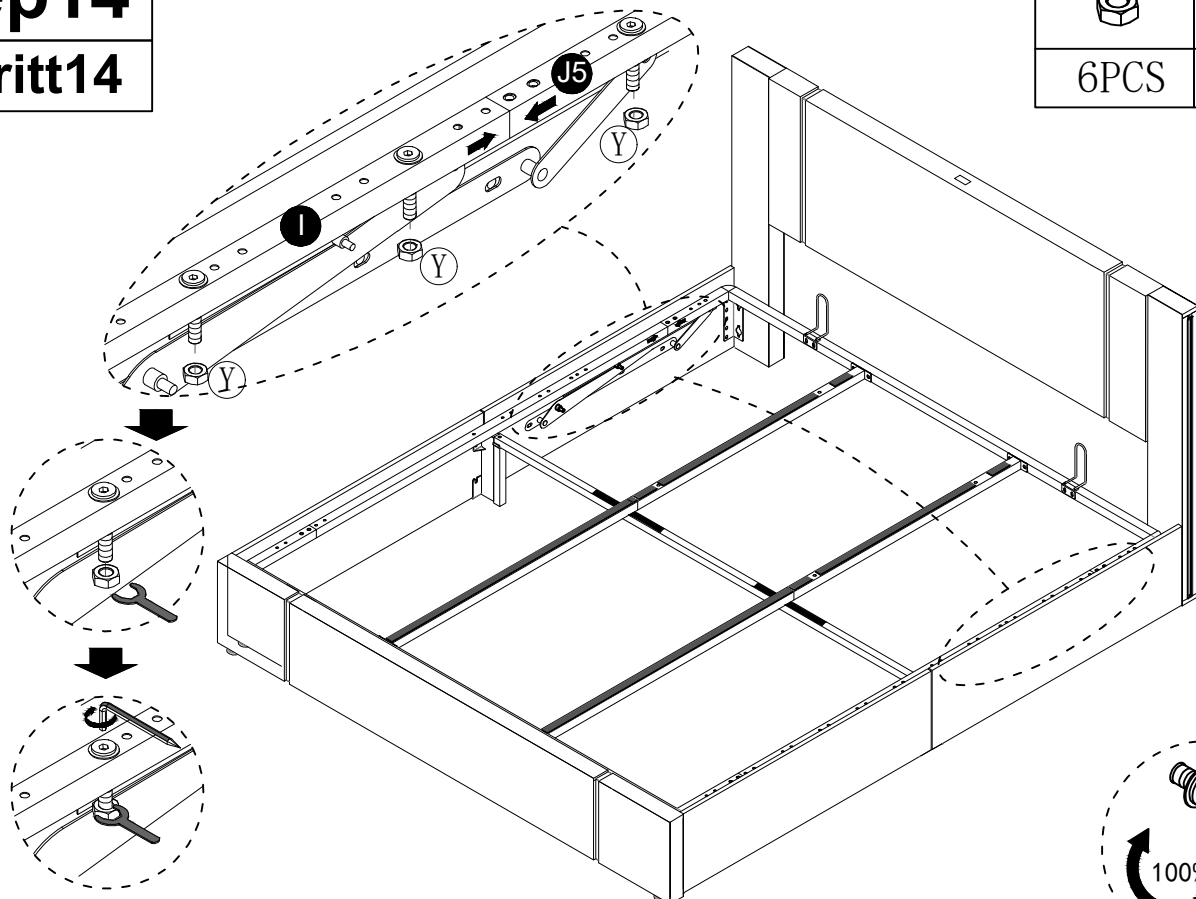
Schritt14



6PCS



1PC



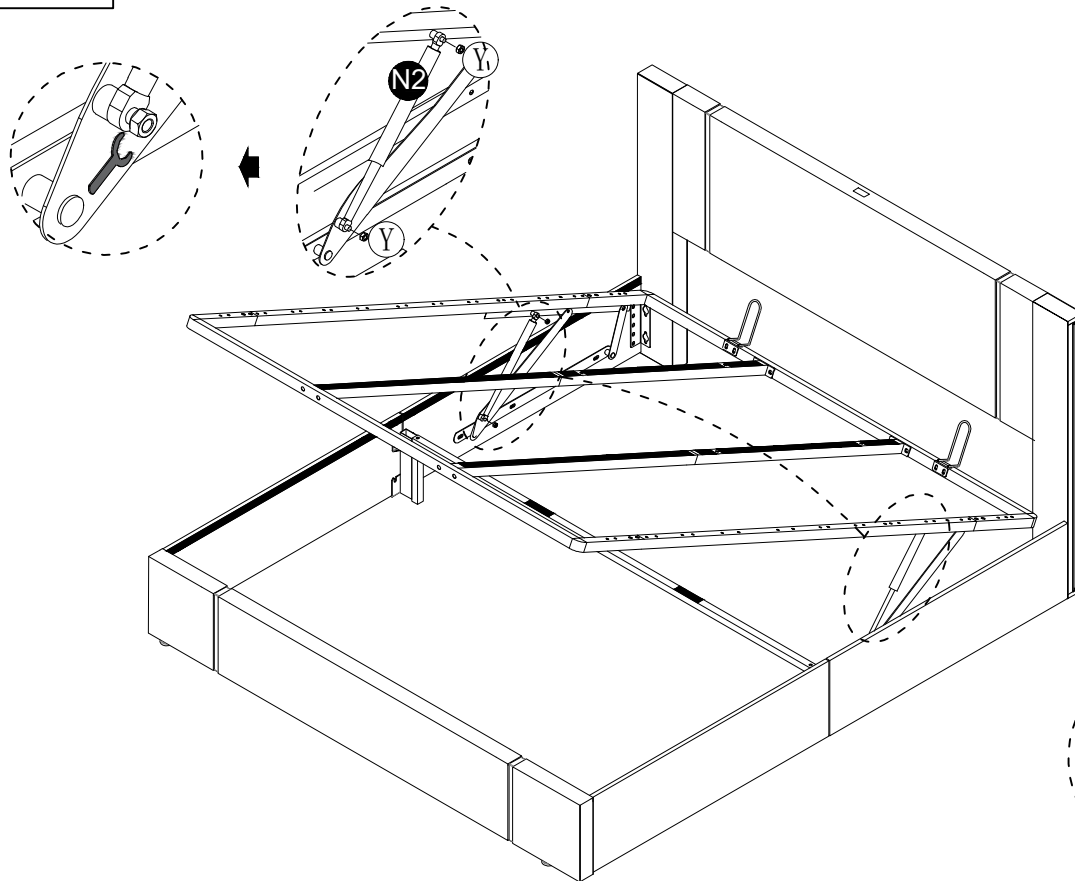
Step15

Schritt15

Y



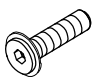
4PCS



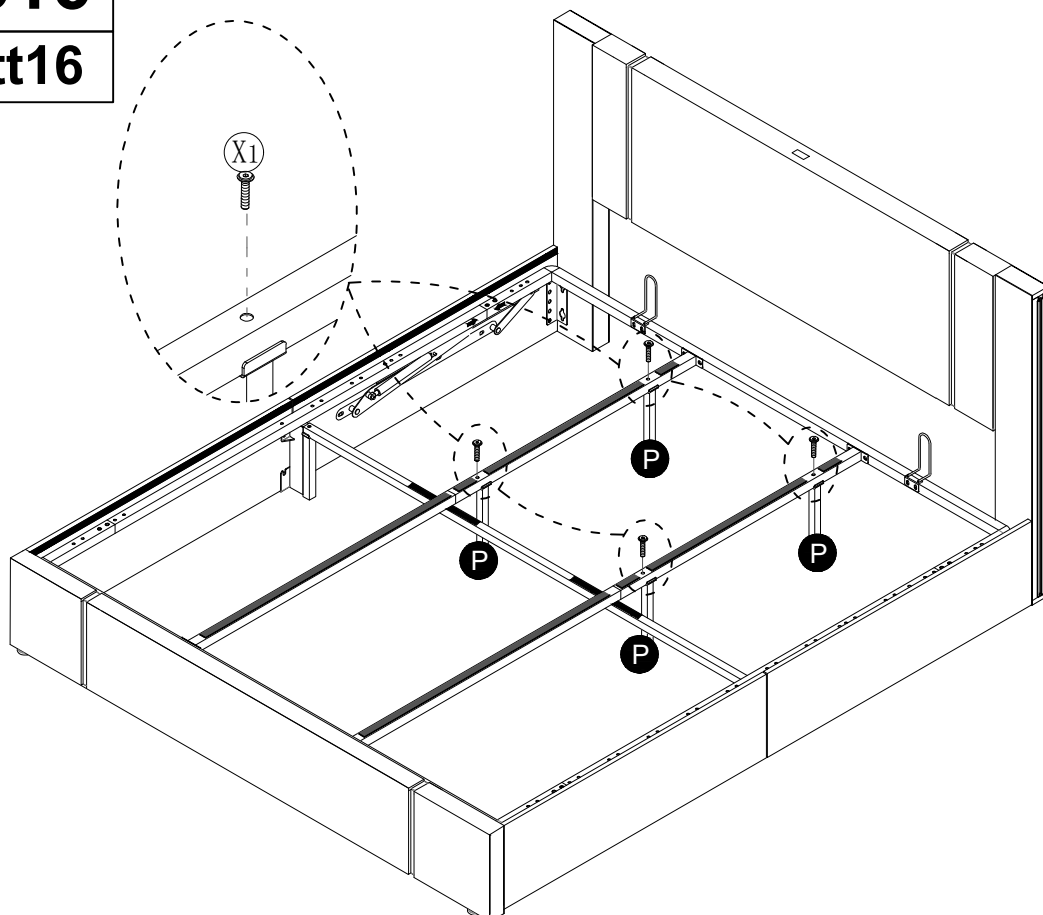
Step16

Schritt16

X1

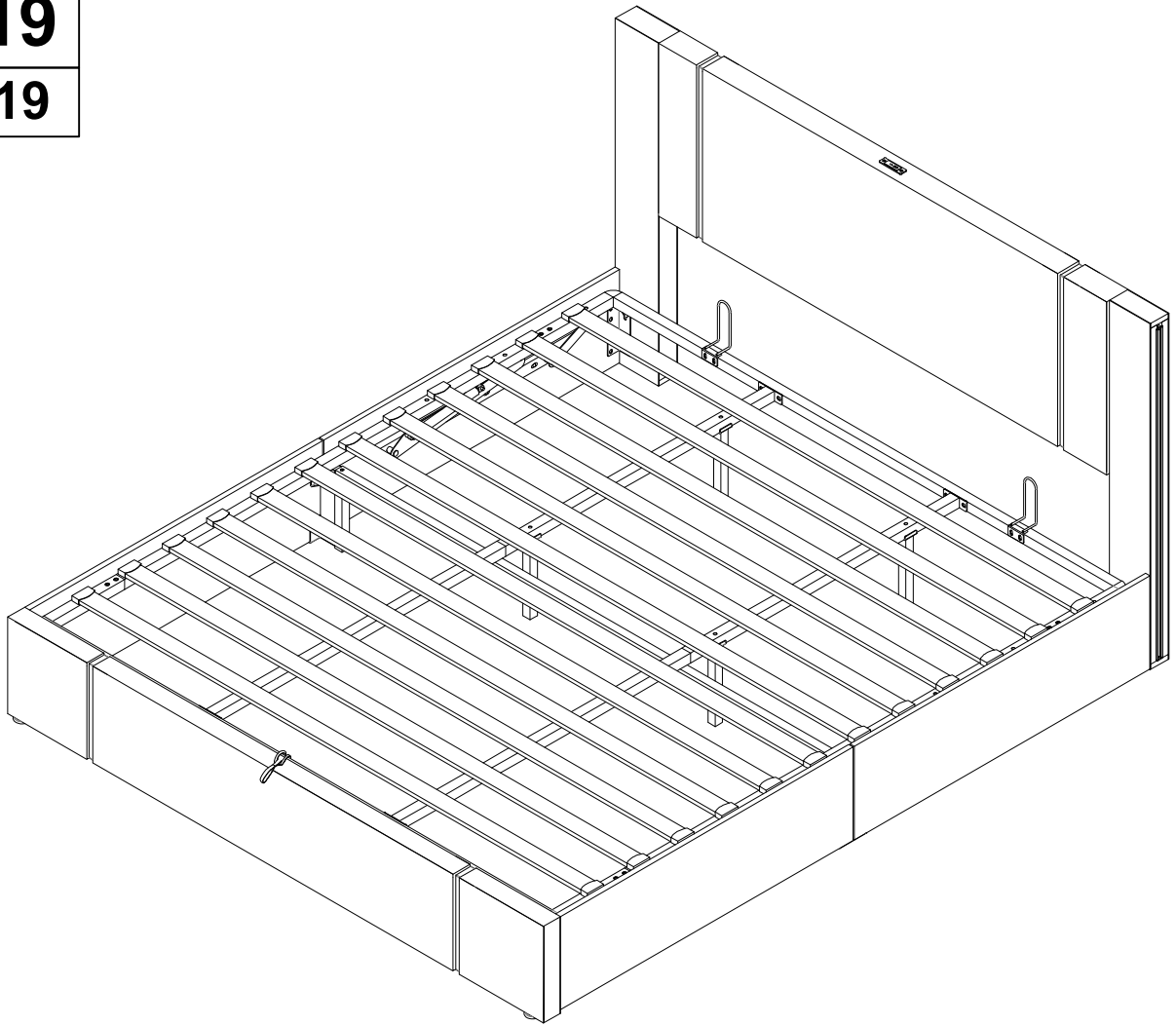


4PCS



Step 19

Schritt 19



IMPORTANT NOTICE OTTOMAN OPERATING INSTRUCTIONS

Once your bed frame is completely assembled, the slat unit will not operate correctly unless a mattress is placed on the slat frame. Position the mattress on the slat frame whilst it is in the closed position.

PLEASE NOTE - It takes a lot of force to make the initial movement of the ottoman. This is a design feature of the product so that it does not fall shut - the nearer to being closed the ottoman is, the easier it is to move. When the ottoman is almost shut, it will close completely under its own weight.

When lowering the slat unit for the first time, take care to make sure it does not rub unevenly on the inside face of the side rails. If it does, the bed has been assembled slightly out of square. This can be rectified by moving the foot end of the bed slightly to the left or right whilst leaving the head end stationary.

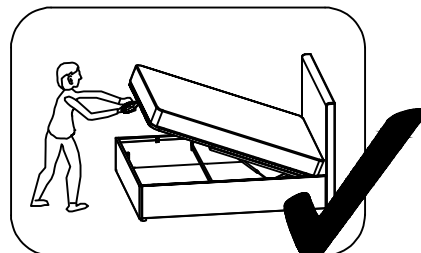
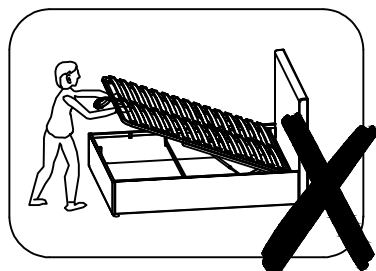
PISTONS

The pistons used in the construction of this product are extremely strong and cannot be operated by hand when taken off the ottoman. All pistons are tested for correct pressure and operation before being attached to the slat unit.

Initially it might appear that the pistons are very stiff when opening and closing the ottoman.

THIS IS PERFECTLY NORMAL

When fully assembled and the mattress is in position, please raise and lower the ottoman 4/5 times to ensure the gas piston are fully lubricated.



- GB** – NOTE: The battery in the remote control requires you to purchase and install it yourself.
Model: CR2025 3.V
- DE** – HINWEIS: Die Batterie in der Fernbedienung müssen Sie selbst kaufen und installieren
Modell: CR2025 3.V
- FR** – REMARQUE : la pile de la télécommande doit être achetée et installée par vos soins.
Modèle : CR2025 3.V
- IT** – NOTA: la batteria del telecomando deve essere acquistata e installata autonomamente.
Modello: CR2025 3.V
- ES** – NOTA: La pila del mando a distancia debe comprarla e instalarla usted mismo
Modelo CR2025 3.V

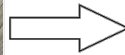
①



②



③



④



⑤



⑥



⑦



⑧





Reference No. : WTN22D07148186Z
 Applicant : Guangdong Zhongong Electric Technology Co., Ltd.
 Address : Room 701, Building 29, Shunde Zhifu Park, No.8, 2nd Ring Road, Gaozan village committee, Xingt an town, Shunde District, Foshan City, Guangdong Province
 Manufacturer : The same as above
 Address : The same as above
 Product : Power Strip
 Model No. : See model list
 Technical data : Input:250V~, 50/60Hz, 16A USB Output:DC 5V,2.0A

Test Standards:
 DIN VDE 0620-1(VDE 0620-1) : 2019

The above product has been tested by us with the listed standards and found in compliance with the European Directive LVD 2014/35/EU. It is possible to use CE marking to demonstrate the compliance with this LVD Directive.

Plugs and socket-outlets for household and similar purposes Part 1: General requirements

The referred test report(s) show that the product complies with standard(s) recognized as giving presumption of compliance with the essential requirements in the above mentioned EU Directive. Other relevant Directives have to be observed.

After preparation of the necessary technical documentation as well as the EU Declaration of Conformity, the CE marking as shown below can be affixed on the equipment under the sole responsibility of the manufacturer.



Manager: Deval Qin
 Date: 2022-8-25

The statement is based on a single evaluation of the sample of above mentioned product. It does not imply an assessment of the whole production.

Waltek Testing Group Co., Ltd.

Hotline: 400-840-2288

E-mail: info@waltek.com.cn

Http://www.waltek.com.cn

Ver.02. 29.07.2022, WALTEK is registered trademark. Utilisation and application requires prior approval.

Attachment

Model list



Reference No.: WTN22D07148186Z

Model list

Product name	Model Name	Description
Power Strip	G-PDUM0/12A/15A	250V~ 16A, IP20, Class I, with multi-ways DIN49440-1 socket-outlets with shutter, with USB output, with a non-rewirable plug with cord H05VV-F 3G1,5mm2.
	ZG-PDUG1/10A/16A	
	ZG-PDUG2/10A/16A	
	ZG-PDUG3/10A/16A	
	ZG-PDUG4/10A/16A	
	ZG-PDUF/10A/16A	
	ZG-PDUW1/10A/16A	
	ZG-PDUW2/10A/16A	
	ZG-PDUB/10A/16A	
	ZG-PDUC3/10A/15A	
	ZG-PDUC9/10A/15A	
	ZG-PDUA/10A/15A	
	ZG-PDUY/10A/15A	
	ZG-JJ/12A/15A	
	ZG-HG/12A/15A	
	ZG-ZJ/12A/15A	
	ZG-SJ/12A/15A	
ZG-DQ/12A/15A		
ZG-PC/12A/15A		
ZG-PDU J00/10A/16A		

====End of Attachment====

Waltek Testing Group Co., Ltd.

Hotline:400-840-2288

E-mail:info@waltek.com.cn

Http://www.waltek.com.cn

Ver.02. 29.07.2022, WALTEK is registered trademark. Utilisation and application requires prior approval.

Shenzhen ZKT Technology Co., Ltd.
 1/F, No. 101, Building B, No. 6, Tangwei Community Industrial Avenue,
 Fuhai Street, Bao'an District, Shenzhen, China



Certificate of Compliance

Certificate Number: ZKT-2403202772C

- Certificate's Holder** : Shenzhen Pinchengxin Technology Co., Ltd
 3rd Floor, 8th Building Yuanling Industrial Zone, No. 39
 Yuanlingcun Road, Shiyan Street, Bao'an District,
 Shenzhen
- Manufacturer** : Shenzhen Pinchengxin Technology Co., Ltd
 3rd Floor, 8th Building Yuanling Industrial Zone, No. 39
 Yuanlingcun Road, Shiyan Street, Bao'an District,
 Shenzhen
- Trade Mark** : N/A
- Product** : 5050 RGB LED Strip Lights with Bluetooth App Controller
 and 2.4G Remote
- Model(s)** : 5050 RGB LED Strip Lights
- Test Standard** :

Art.3.1(a) Safety	EN IEC 62368-1:2020+A11:2020
Art.3.1(a) Health	EN IEC 62311:2020 EN 50665:2017
Art.3.1(b) EMC	ETSI EN 301 489-1 V2.2.3 (2019-11) ETSI EN 301 489-17 V3.2.4 (2020-09)
Art.3.2 Radio	ETSI EN 300 328 V2.2.2 (2019-07)

This Attestation of Compliance is issued on a voluntary basis for electrical equipment below the voltage limits of Radio Equipment Directive (RED) 2014/53/EU. The essential requirements are fulfilled accordingly based on the technical specifications applicable at the time of issuance.



This Certificate of Conformity is based on single evaluation of the submitted sample(s) of the above mentioned product. It does not imply an assessment of the whole product and relevant Directives to be observed.

Shengdi (Jieyang) Electronic Technology Co., Ltd.**TEST REPORT**

Prepared For:	Shengdi (Jieyang) Electronic Technology Co., Ltd. Middle Section of Zhenghe Road, Paotai, Rongcheng District, Guangdong, China
Product Name:	Power Adapter
Trademark:	N/A
Main Test Model:	CT-11, CTC-11, CCT-11, CTF-11, CTR-11, CT-21, CTC-21, CTR-21
Prepared By:	Shenzhen Labtest Technology Laboratory Ltd. 901-12, Block 1, No.9 Jinxiu Middle Road, Laokeng Community, Longtian Street, Pingshan District, Shenzhen, Guangdong, China.
Test Date:	Mar. 03-14, 2023
Date of Report:	Mar. 14, 2023
Report No.:	LBTR230314130S

LVD Report IEC 62368-1 Audio/video, information and communication technology equipment Part I: Safety requirements	
Testing laboratory	: Shenzhen Labtest Technology Laboratory Ltd.
Address	: 901-12, Block 1, No.9 Jinxu Middle Road, Laokeng Community, Longtan Street, Pingshan District, Shenzhen, Guangdong, China.
Testing location	: Shenzhen Labtest Technology Laboratory Ltd.
Applicant	: Shengdi (Jieyang) Electronic Technology Co., Ltd.
Address	: Middle Section of Zhenghe Road, Paotai, Rongcheng District, Guangdong, China
Standard	: EN 62368-1:2014+A11:2017
Procedure deviation	: N/A.
Non-standard test method	: N/A.
Type of test object	: Power Adapter
Trademark	: N/A
Model/Type reference	: CT-11, CTC-11, CCT-11, CTF-11, CTR-11, CT-21, CTC-21, CTR-21
Rating	: Input:100-240V~ 50/60Hz 0.3A Output 5V $\overline{\text{DC}}$ 2A
Manufacturer	: Shengdi (Jieyang) Electronic Technology Co., Ltd.
Address	: Middle Section of Zhenghe Road, Paotai, Rongcheng District, Guangdong, China
Test item particulars:	
Equipment mobility	: Stationary equipment
Operation condition	: Continuous
Class of equipment	: Class I
Protection against ingress of water	: IPX0

Possible test case verdicts :	
test case does not apply to the test object	: N(A.)
test object does meet the requirement	: P(ass)
test object does not meet the requirement	: F(ail)

<p>General remarks: "(see remark #)" refers to a remark appended to the report. "(see appended table)" refers to a table appended to the report. Throughout this report a comma is used as the decimal separator. The test results presented in this report relate only to the object tested. This report shall not be reproduced except in full without the written approval of the testing laboratory.</p>	<p>Attached with: A. photo documentation</p>
--	---

Artwork of Marking Label



Prepared by : Adam Chen
 Engineer

Reviewer : Jacky Zhang
 Supervisor

Approved & Authorized Signer : Allen chen
 Manager

