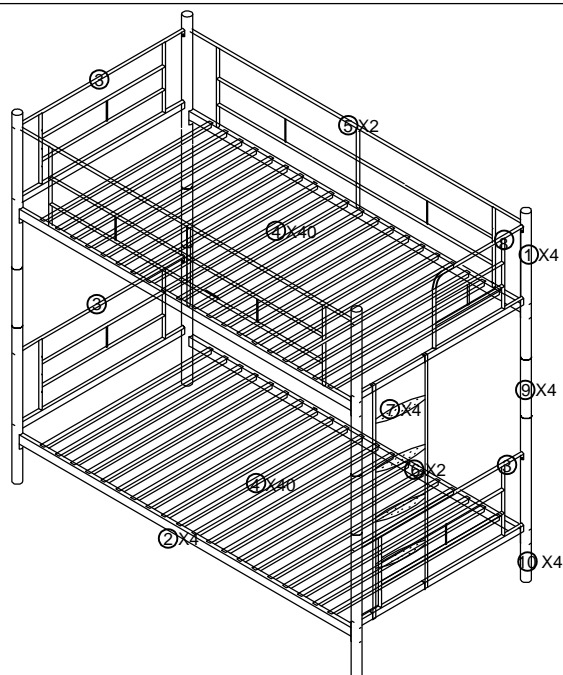
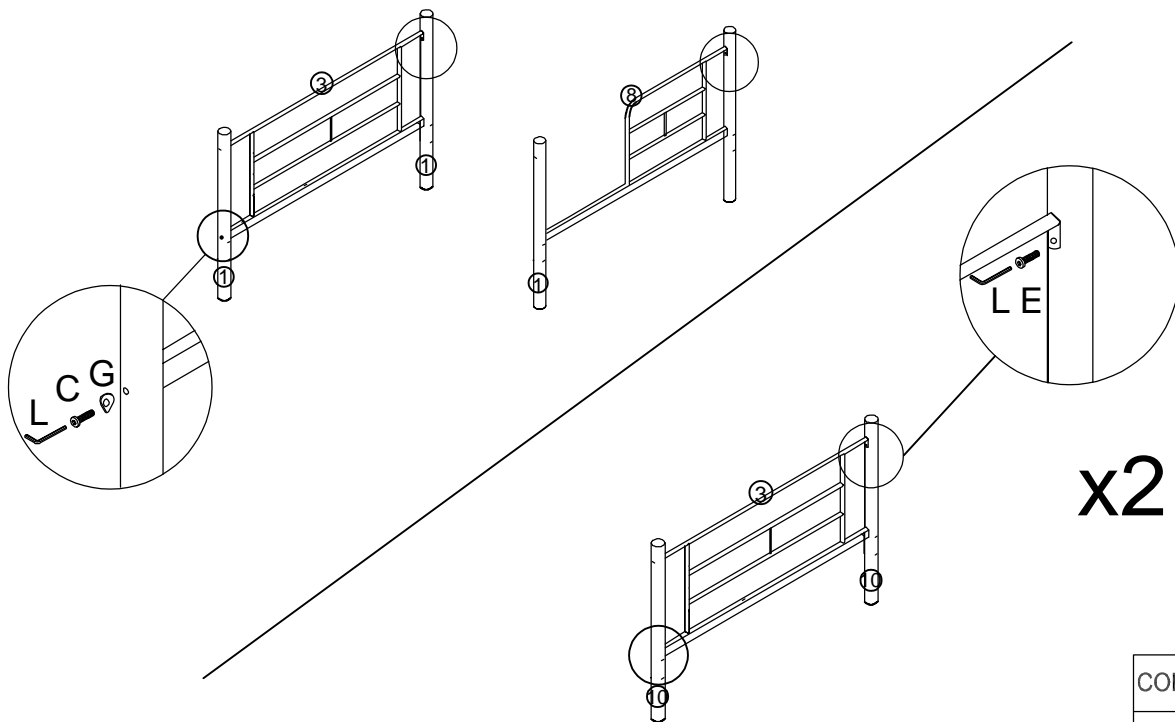






①		4	⑧		1
②		4	⑨		4
③		3	⑩		4
④		40			
⑤		2			
⑥		2			
⑦		4			

A		M8X65mm	8	I		φ22mm	4
B		M6X65mm	10	J			18
C		M8X70mm	8	K		M6	4
D		M6X45mm	8	L			3
E		M6X16mm	15	M		M8	8
F		M8X45mm	8	N			80
G		M8	24	O		M6X35mm	4
H		φ50mm	12				

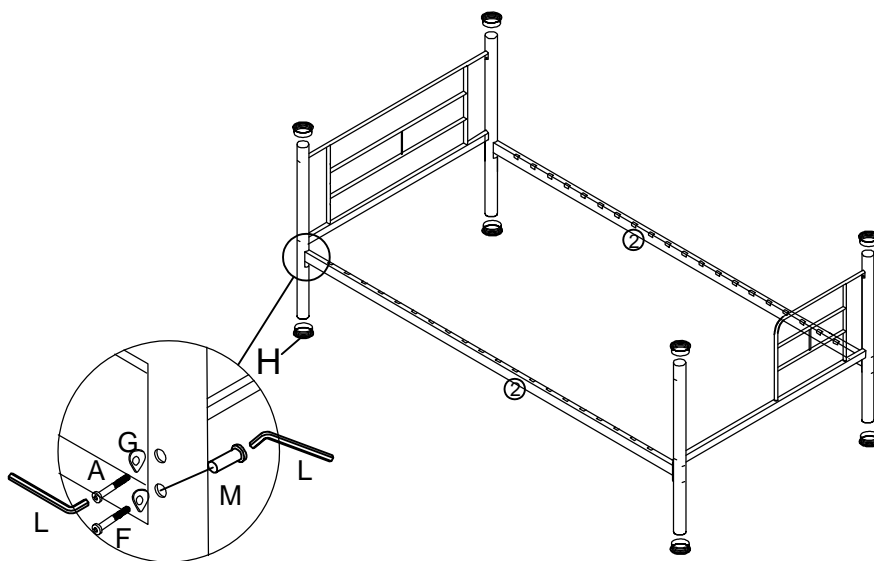








STEP 1



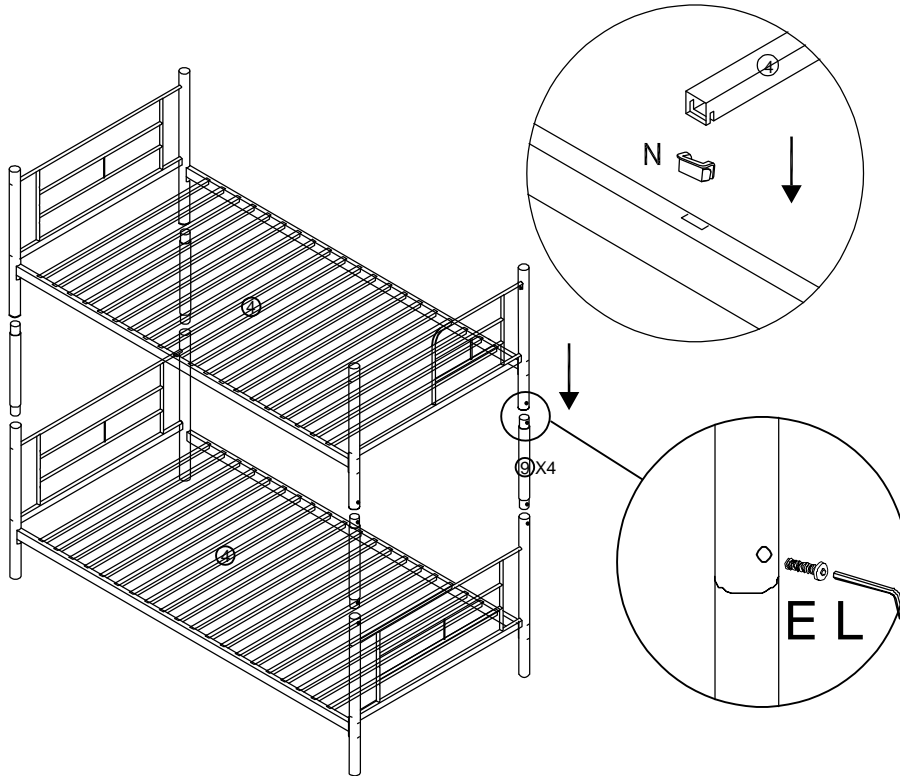
CODE	HARDWARE	QTY
C	 M8X70	8
E	 M6X16	7
G	 M8	8
L		1

STEP 2



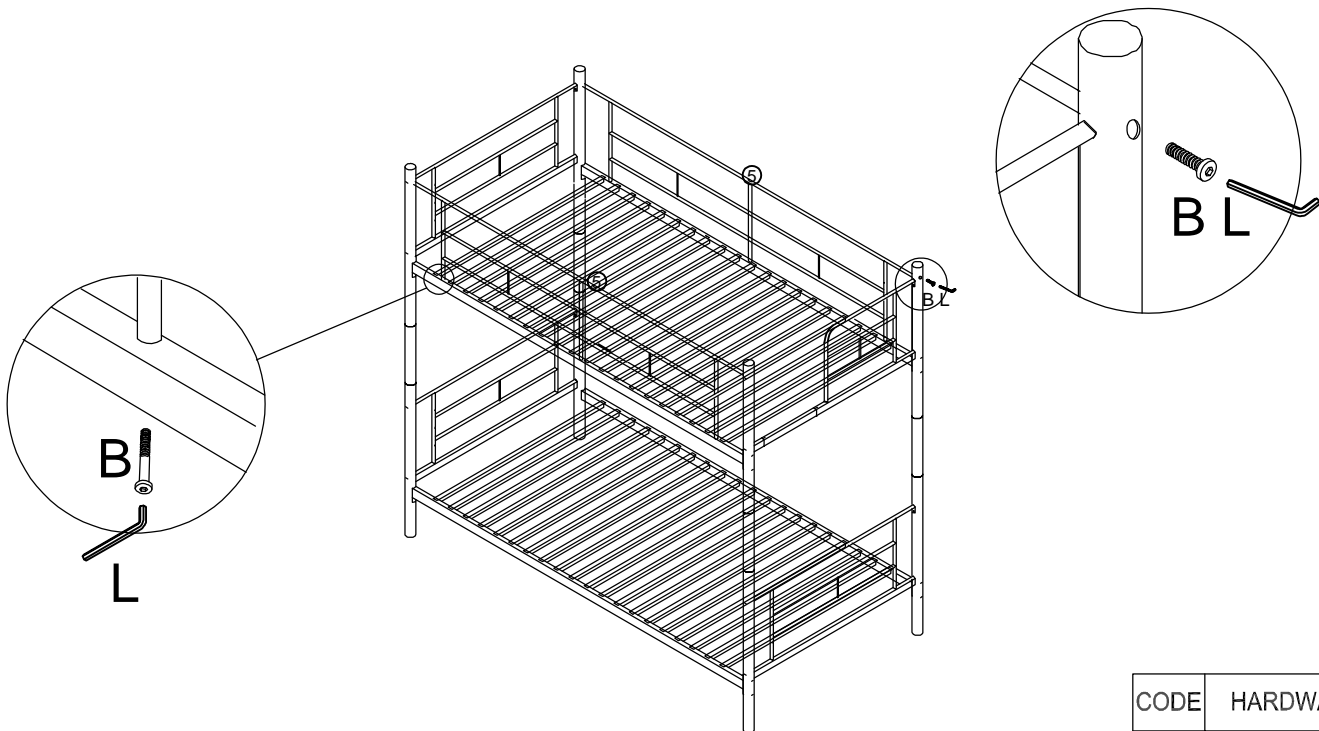
CODE	HARDWARE	QTY
A	 M8X65	8
F	 M8X45	8
G	 M8	16
L		2
M	 M8	8
H	 $\phi 50\text{mm}$	8

STEP 3



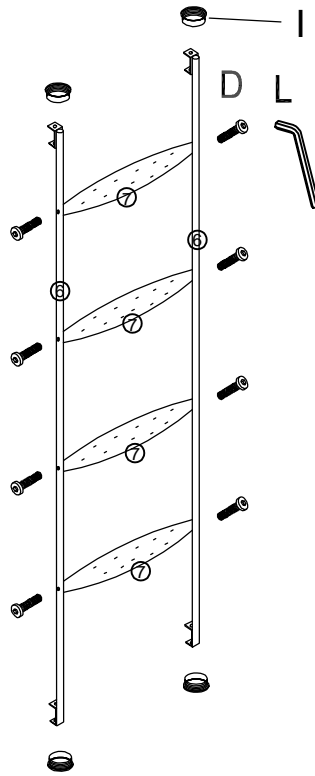
CODE	HARDWARE	QTY
N		80
E		8
L		1




STEP 4



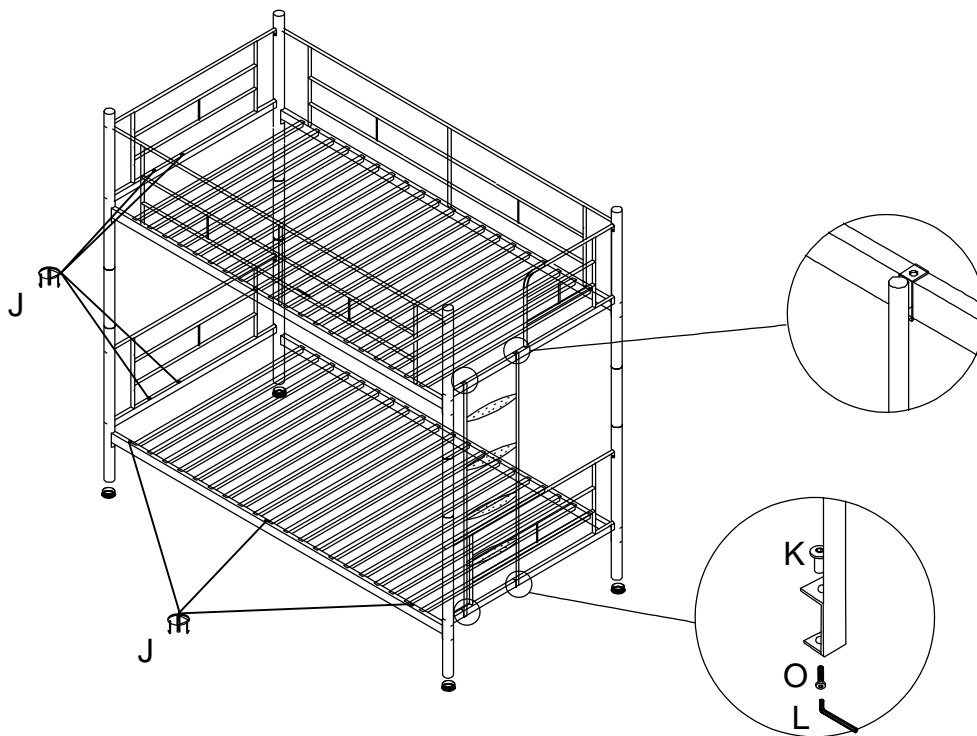
CODE	HARDWARE	QTY
B		10
L		1


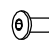



STEP 5



CODE	HARDWARE	QTY
D	 M6X45	8
L		1
I		4

STEP 6



CODE	HARDWARE	QTY
O	 M6X35	4
K	 M6	4
L		2
H	 Φ 50mm	4
J		18